

PARTS CATALOGUE



MOBILITY SCOOTER

EQ10DA(UK)

K-Lite



Release Date : 2016/06/13
Print Date : 2019/10/31

ABOUT THIS PARTS LIST

- This parts list is compiled all service parts for model EQ10DA(UK).
- Any difference between color chart and motorcycle will be revised according to motorcycle.
- The Mark:
 1. Marking "***" must add color code in the end before ordering parts.
 2. Marking "#" are parts with modification, Please find the details from e-Parts system.
- When modification or additions to this parts list are made a revised edition at an appropriate time.



CONTENTS

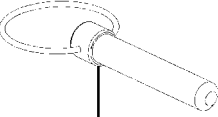
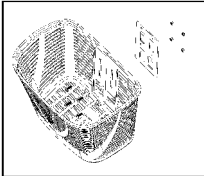
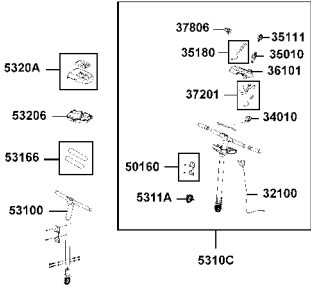
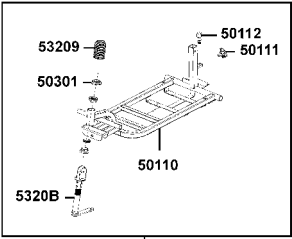
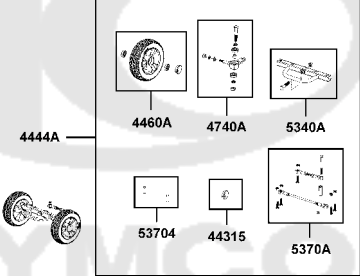
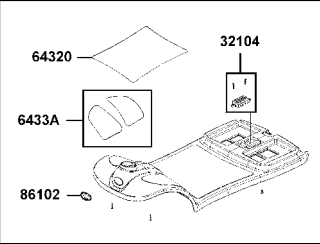
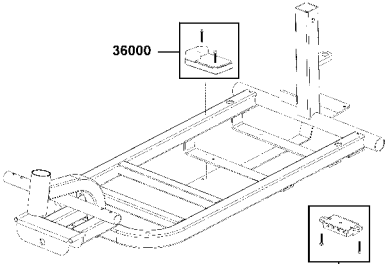
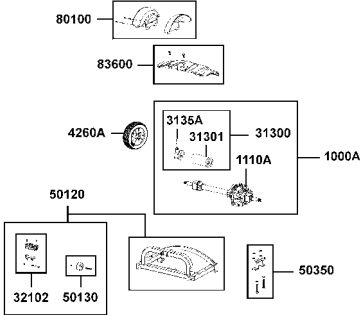
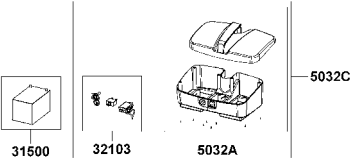
● ABOUT THIS PARTS LIST	1
● COLOR CHART OF EQ10DA(UK)	3
● CONTENTS-ENGINE GROUP	5
● CONTENTS-FRAME GROUP	5
● ENGINE PARTS LIST	7
● FRAME PARTS LIST	7
● PART NO. INDEX	33



NO	MODEL			COLOR CHART OF EQ10DA(UK)			
	PHOTO NO			NO. 1	NO. 2	NO. 3	NO. 4
	BASIC COLOR			Black	Golden	Flame Orange	Shining Orange
	CODE			Black	Golden	Flame Orange	Shining Orange
	PARTS NAME	PARTS NO.	VERSION	NH001SA	YR378MA	YR177MA	YR177MA
1	HANDLE ASSY	5310C-ACK1-E00	0	N1P	X2P	X4P	
2	HANDLE UP COVER	5320A-ACK1-E00	0				
3	FLOOR ASSY	64310-ACK1-E00	0				
4	RR FENDER ASSY	80100-ACK1-E00	0				
5	BODY COVER ASSY	83600-ACK1-E00	0				
6	COVER HANDLE LOW	53206-ACK1-E00	0	N1R			
7	EMB K-LOGO 24MM	86102-LAB4-900	2	T02			
DATE OF STARTING-SALES							
DATE OF END-SALES							

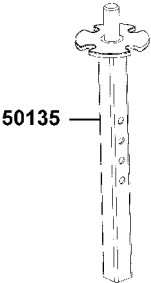
NO	MODEL			COLOR CHART OF EQ10DA(UK)			
	PHOTO NO			NO. 5			
	BASIC COLOR			Brown Crystal			
	CODE			Brown Crystal			
	PARTS NAME	PARTS NO.	VERSION	YR167MA			
1	HANDLE ASSY	5310C-ACK1-E00	0	YZP			
2	HANDLE UP COVER	5320A-ACK1-E00	0				
3	FLOOR ASSY	64310-ACK1-E00	0				
4	RR FENDER ASSY	80100-ACK1-E00	0				
5	BODY COVER ASSY	83600-ACK1-E00	0				
6	COVER HANDLE LOW	53206-ACK1-E00	0	N1R			
7	EMB K-LOGO 24MM	86102-LAB4-900	2	T02			
DATE OF STARTING-SALES							
DATE OF END-SALES							

CONTENTS - FRAME GROUP

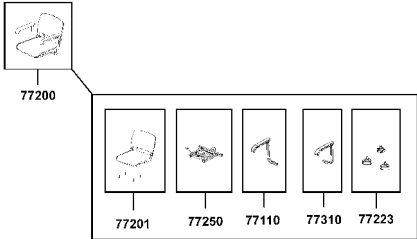
<p>F01 Pin</p> <div style="text-align: center; margin-top: 20px;">  <p>50190</p> </div>	<p>F02 Basket</p> <div style="text-align: center; margin-top: 20px;">  <p>50150</p> </div>	<p>F03 Handle Steering Handle Cover</p> <div style="text-align: center; margin-top: 20px;">  </div>
<p>F04 Frame Body</p> <div style="text-align: center; margin-top: 20px;">  <p>5011A</p> </div>	<p>F05 Front Wheel</p> <div style="text-align: center; margin-top: 20px;">  </div>	<p>F06 Floor</p> <div style="text-align: center; margin-top: 20px;">  <p>64310</p> </div>
<p>F07 Controller</p> <div style="text-align: center; margin-top: 20px;">  <p>32101</p> </div>	<p>F08 Motor Rear Wheel</p> <div style="text-align: center; margin-top: 20px;">  </div>	<p>F09 Battery</p> <div style="text-align: center; margin-top: 20px;">  <p>5032C</p> </div>

CONTENTS - FRAME GROUP

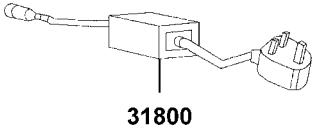
F10 Seat Tube



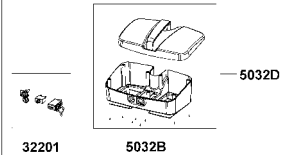
F11 Seat



F12 Charger

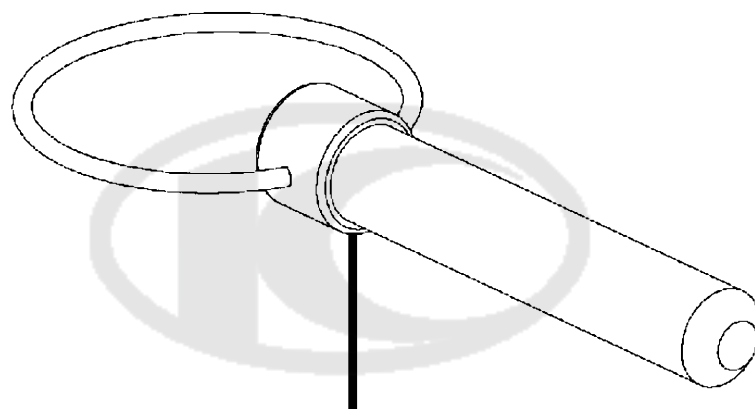


F13 Battery Box(Accessory)



F01

Pin



50190

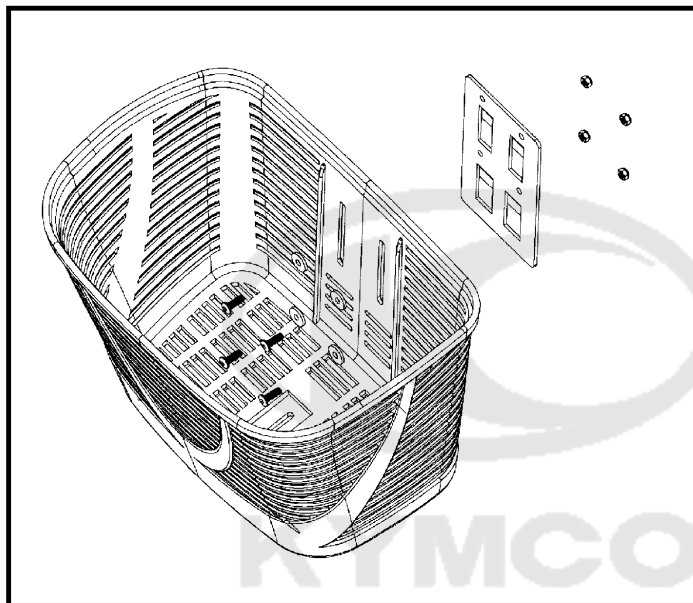
Sales mark	Ref no	Part no	Description	Reg description	Regd no	Ref Price	F01
------------	--------	---------	-------------	-----------------	---------	-----------	------------

50190	50190-ACK1-E00	SEAT LOCK PIN	SEAT LOCK PIN	1	3.25		
-------	----------------	---------------	---------------	---	------	--	--



F02

Basket



50150

Sales mark	Ref no	Part no	Description	Reg description	Regd no	Ref Price	F02
------------	--------	---------	-------------	-----------------	---------	-----------	------------

50150

50150-ACK1-E00

BASKET ASSEMBLY

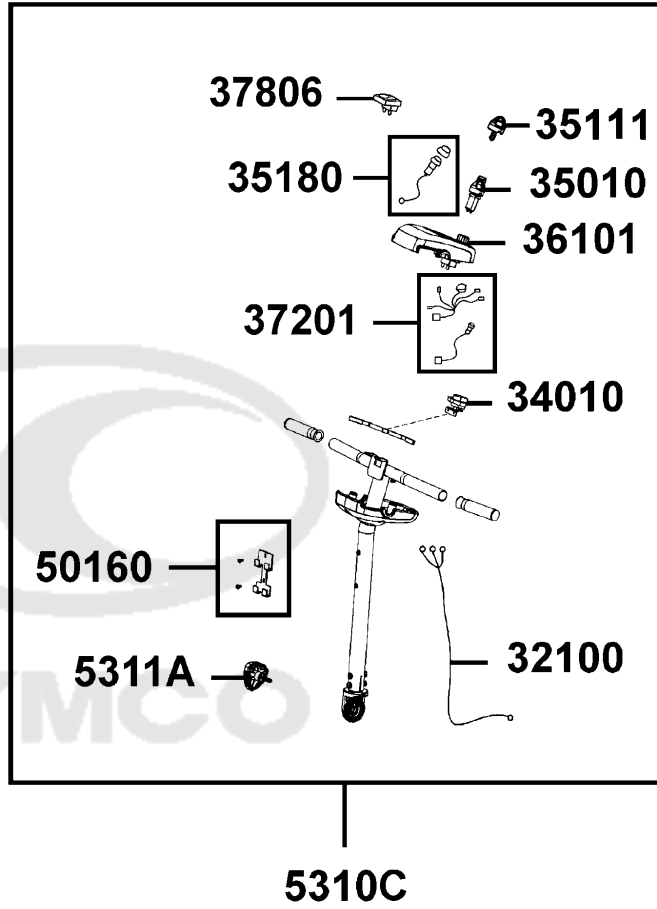
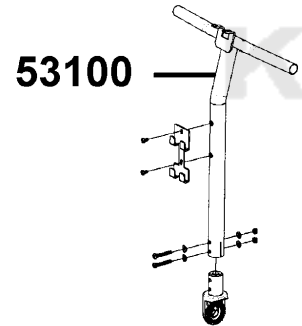
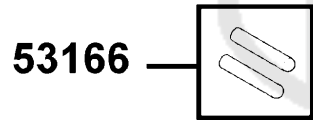
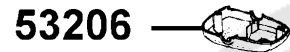
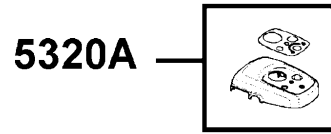
BASKET ASSEMBLY

1

16.25



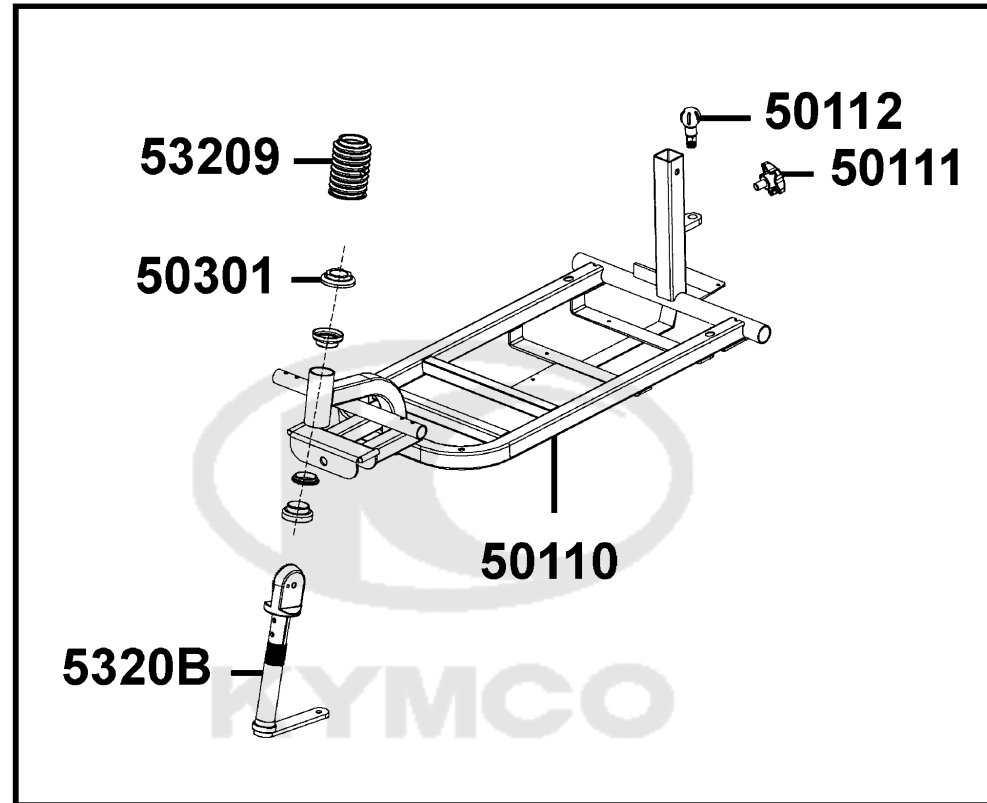
Handle Steering Handle Cover




Sales mark	Ref no	Part no	Description	Reg description	Regd no	Ref Price	F03
	32100	32100-ACK1-E00	HARNES WIRE MAIN LOOM	HARNES WIRE MAIN LOOM	1	32.50	
	34010	34010-ACK1-E00	5K VR ASSY Throttle pot	5K VR ASSY Throttle pot	1	33.00	
	35010	35010-ACK1-E00	KEY SWITCH	KEY SWITCH	1	16.25	
	35111	35111-ACK1-E00	KEY	KEY	1	5.85	
	35180	35180-ACK1-E00	HORN SWITCH	HORN SWITCH	1	6.50	
	36101	36101-ACK1-E00	30K VR ASSY Speed pot	30K VR ASSY Speed pot	1	13.00	
	37201	37201-ACK1-E00	INTERNAL TILLER LOOM	INTERNAL TILLER LOOM	1	3.56	
	37806	37806-ACK1-E00	VU METER	VU METER	1	16.25	
	50160	50160-ACK1-E00	STAY BASKET SET	STAY BASKET SET	1	5.20	
**	5310C	5310C-ACK1-E00	HANDLE ASSY	HANDLE ASSY	1	52.00	
	5311A	5311A-ACK1-E00	COMP HANDLE WHEEL	COMP HANDLE WHEEL	1	3.25	
	53166	53166-ACK1-E00	GRIP HANDLE	GRIP HANDLE	2	5.10	
**	53206	53206-ACK1-E00	COVER HANDLE LOW	COVER HANDLE LOW	1	11.05	
**	5320A	5320A-ACK1-E00	TOP TILLER COVER- K-LITE- GOLDEN	TOP TILLER COVER- K-LITE- GOLDEN	1	13.00	

F04

Frame Body

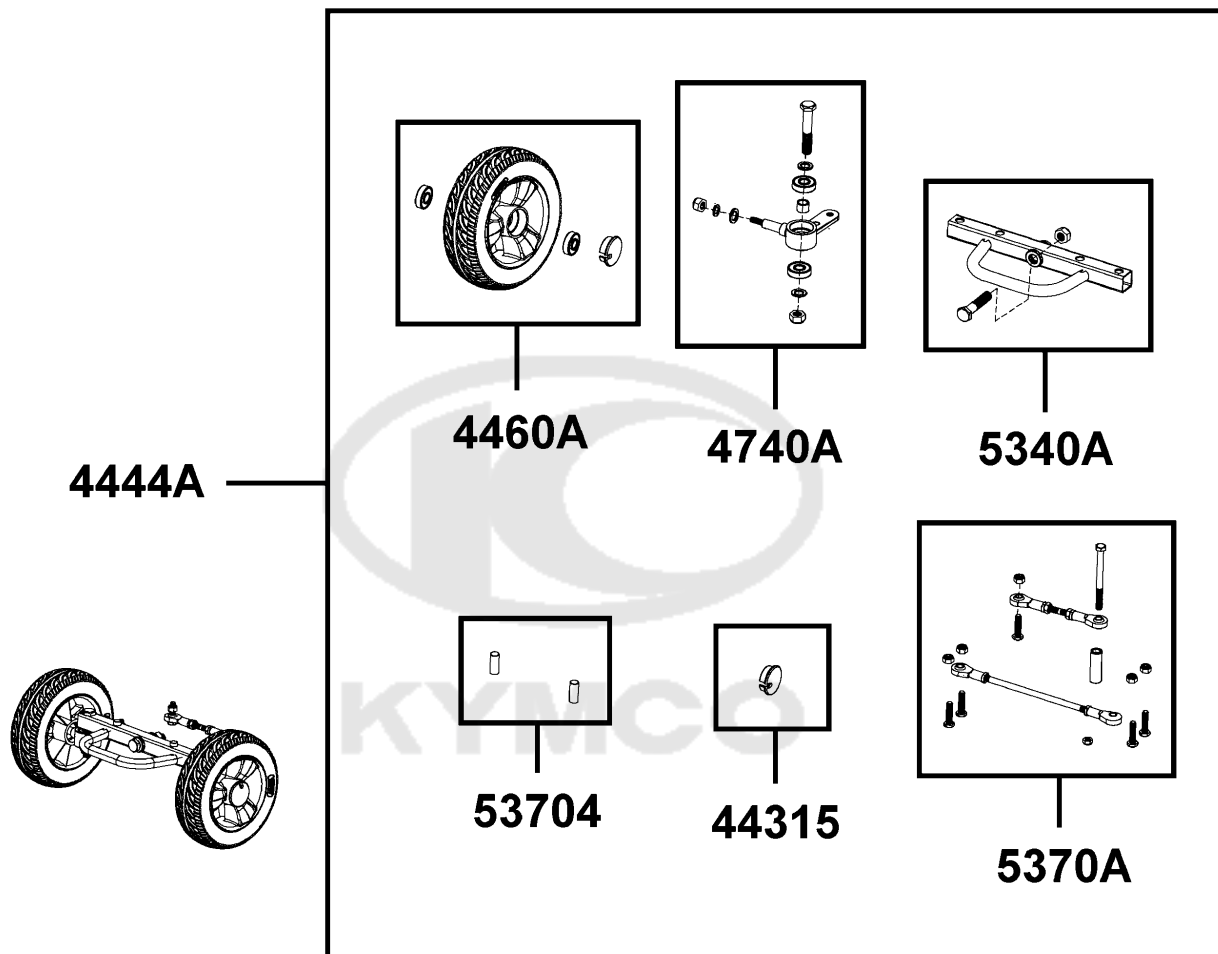



5011A

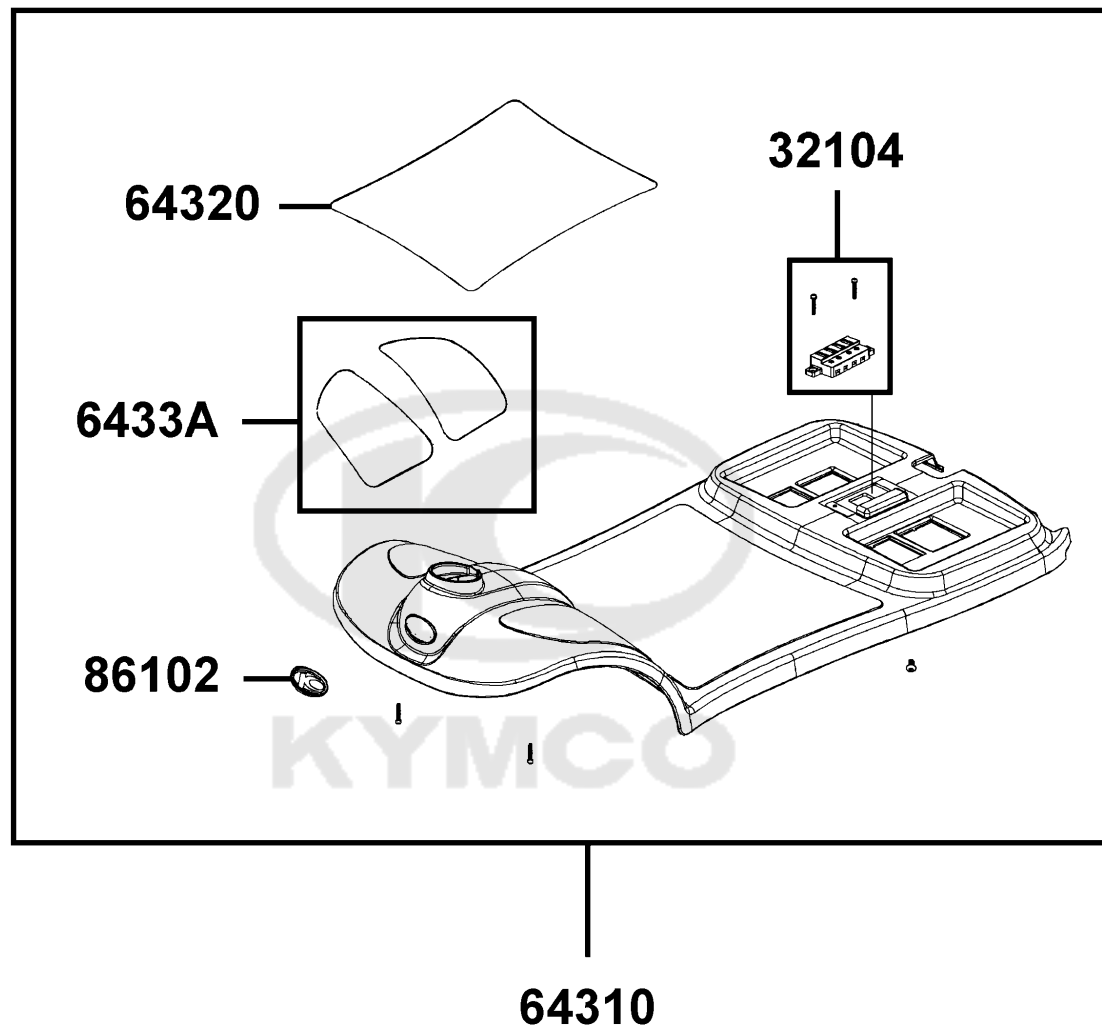
Sales mark	Ref no	Part no	Description	Reg description	Regd no	Ref Price	F04
	50110	50110-ACK1-E00	BODY COMP FRAME FR	BODY COMP FRAME FR	1	117.00	
	50111	50111-ACK1-E00	COMP HANDLE WHEEL RR	COMP HANDLE WHEEL RR	1	3.25	
	50112	50112-ACK1-E00	BOLT LOCK PIN	BOLT LOCK PIN	1	6.50	
	5011A	5011A-ACK1-E00	FRAME FR	FRAME FR	1	195.00	
	50301	50301-ACK1-E00	RACE UPPER STRG BALL	RACE UPPER STRG BALL	1	3.25	
	53209	53209-ACK1-E00	COVER DUST	COVER DUST	1	3.25	
	5320B	5320B-ACK1-E00	STEM ASSY	STEM ASSY	1	13.65	
							

F05

Front Wheel



Sales mark	Ref no	Part no	Description	Reg description	Regd no	Ref Price	F05
	44315	44315-ACK1-E00	WHEEL COVER CAP	WHEEL COVER CAP	1	3.25	
	4444A	4444A-ACK1-E00	SUS ASSY FR	SUS ASSY FR	1	91.00	
	4460A	4460A-ACK1-E00	SOLID WHEEL (K-LITE)	SOLID WHEEL (K-LITE)	2	29.25	
	4740A	4740A-ACK1-E00	SHAFT ASSY SWING STUB AXLE	SHAFT ASSY SWING STUB AXLE	2	16.25	
	5340A	5340A-ACK1-E00	SWING ARM ASSY	SWING ARM ASSY	1	22.75	
	53704	53704-ACK1-E00	DIST COLLAR	DIST COLLAR	1	3.25	
	5370A	5370A-ACK1-E00	TIE ROD SET	TIE ROD SET	1	22.75	
							



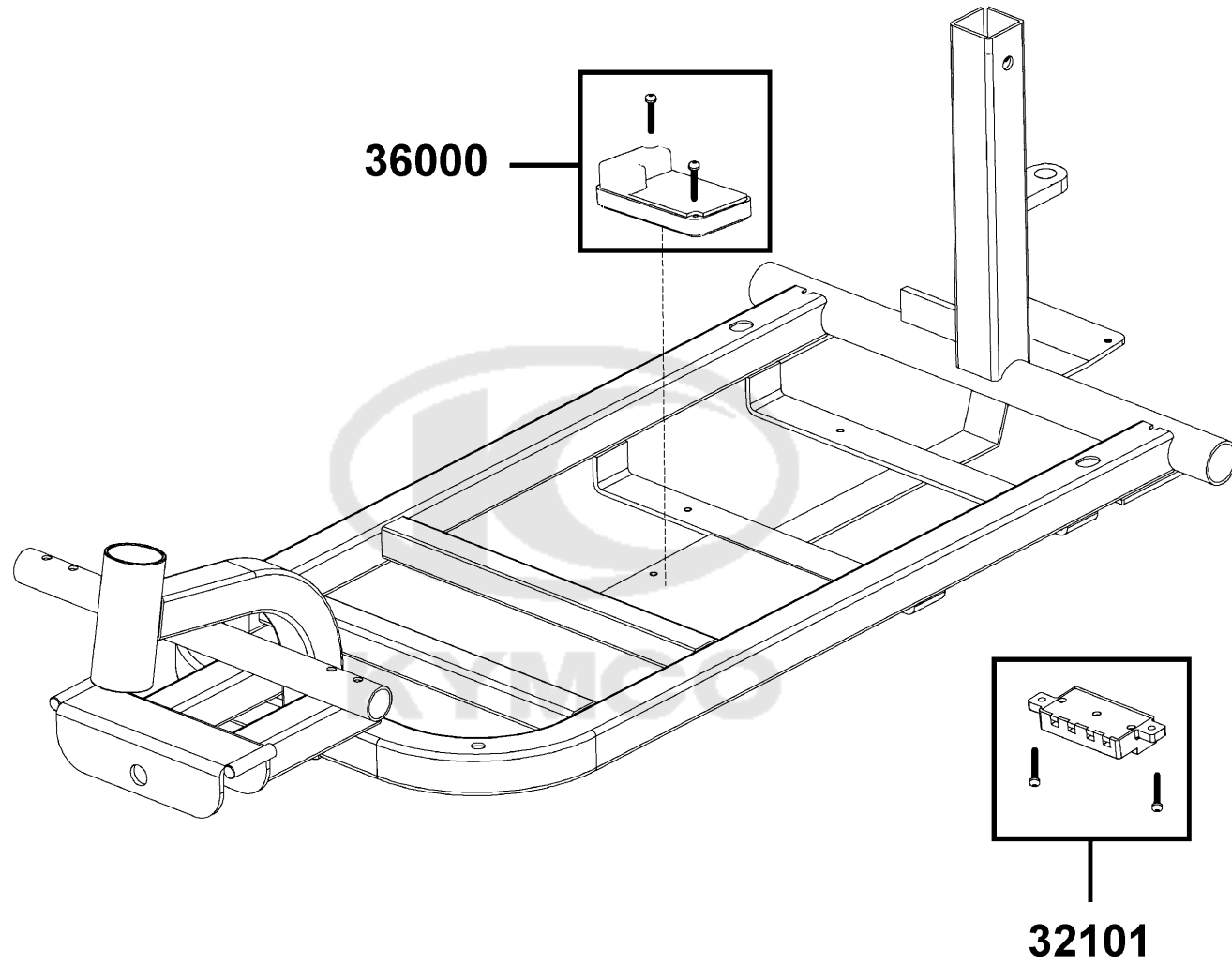
Sales mark	Ref no	Part no	Description	Reg description	Regd no	Ref Price	F06
------------	--------	---------	-------------	-----------------	---------	-----------	------------

	32104	32104-ACK1-E00	SUB CORD A	SUB CORD A	1	11.05	
**	64310	64310-ACK1-E00	FR FLOOR PANEL- K-LITE- GOLDEN	FR FLOOR PANEL- K-LITE- GOLDEN	1	62.82	
	64320	64320-ACK1-E00	FLOOR MAT- K-LITE- BLACK MAT	FLOOR MAT- K-LITE- BLACK MAT	1	8.45	
	6433A	6433A-ACK1-E00	MAT FLOOR RH/LH SET	MAT FLOOR RH/LH SET	1	6.50	
**	86102	86102-LAB4-900	EMB K-LOGO 24MM	EMB K-LOGO 24MM	1	3.25	



F07

Controller



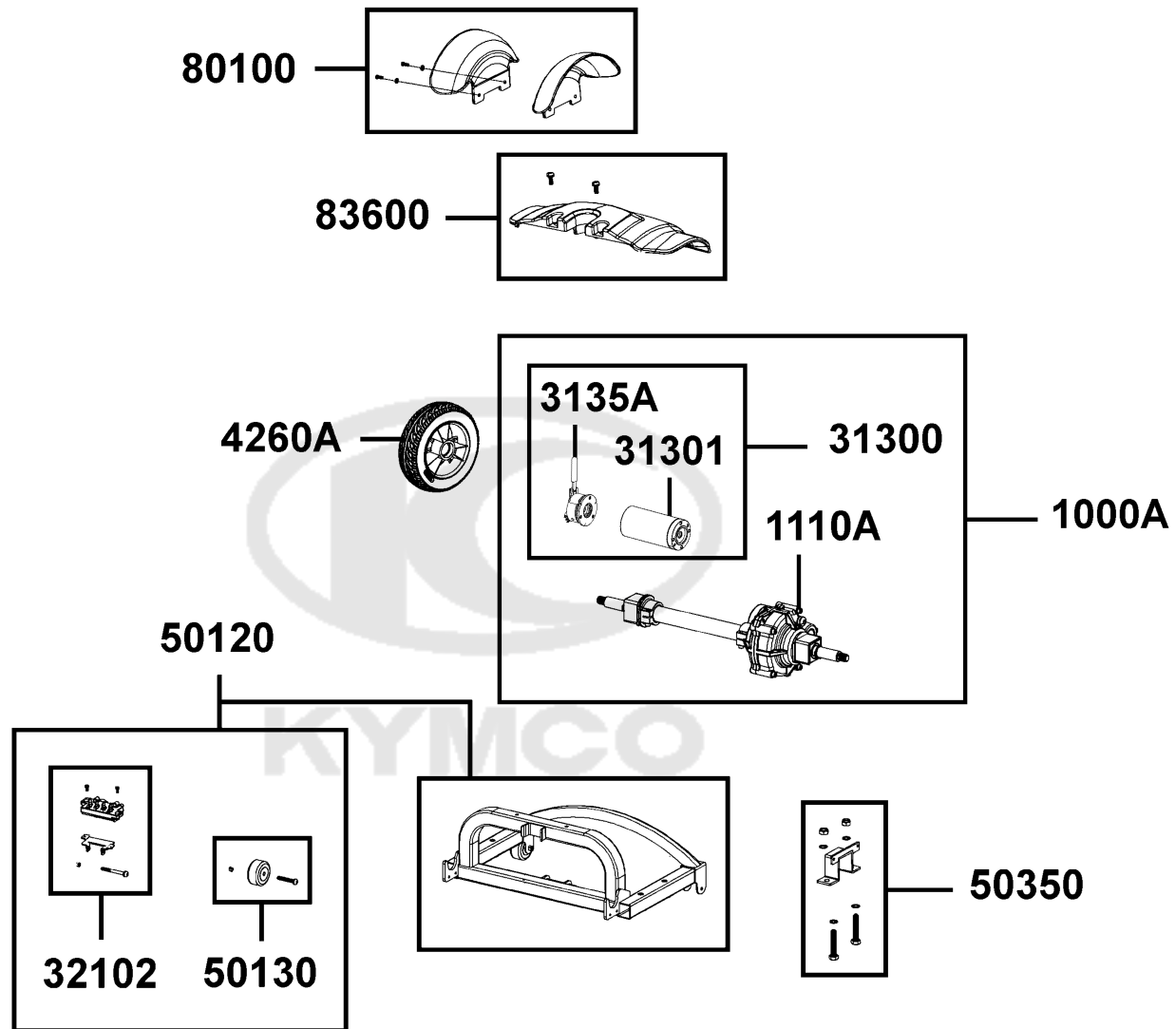
Sales mark	Ref no	Part no	Description	Reg description	Regd no	Ref Price	F07
------------	--------	---------	-------------	-----------------	---------	-----------	------------

32101	32101-ACK1-E00	32101-ACK1-E00	SUB CORD F	SUB CORD F	1	19.50	
36000	36000-ACK1-E00	36000-ACK1-E00	E.C.U. ORDER 36000-LHD7-900	E.C.U. ORDER 36000-LHD7-900	1	200.00	



F08

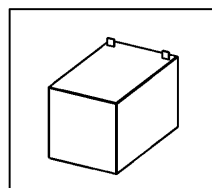
Motor Rear Wheel



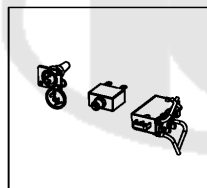
Sales mark	Ref no	Part no	Description	Reg description	Regd no	Ref Price	F08
	1000A	1000A-ACK1-E00	MOTOR AND TRANSAXLE ASSY	MOTOR AND TRANSAXLE ASSY	1	257.40	
	1110A	1110A-ACK1-E00	GEAR BOX	GEAR BOX	1	157.45	
	31300	31300-ACK1-E00	MOTOR ASSY- K-LITE	MOTOR ASSY- K-LITE (EQ10DA/EQ10DB)	1	100.00	
	31301	31301-ACK1-E00	MOTOR COMP	MOTOR COMP	1	100.00	
	3135A	3135A-ACK1-E00	BRAKE ASSY	BRAKE ASSY	1	52.00	
	32102	32102-ACK1-E00	SUB CORD M	SUB CORD M	1	3.56	
	4260A	4260A-ACK1-E00	SOLID WHEEL (K-LITE) REAR	SOLID WHEEL (K-LITE) REAR	2	29.25	
	50120	50120-ACK1-E00	BODY COMP FRAME RR	BODY COMP FRAME RR	1	29.25	
	50130	50130-ACK1-E00	WHEEL ASSY ANTI-TIP	WHEEL ASSY ANTI-TIP	2	3.25	
	50350	50350-ACK1-E00	CONNECTOR MISSION	CONNECTOR MISSION	1	6.50	
**	80100	80100-ACK1-E00	REAR MUD GUARD- K-LITE- GOLDEN	REAR MUD GUARD- K-LITE- GOLDEN	1	16.25	
**	83600	83600-ACK1-E00	REAR BODY PANEL- K-LITE- GOLDEN	REAR BODY PANEL- K-LITE- GOLDEN	1	55.25	

F09

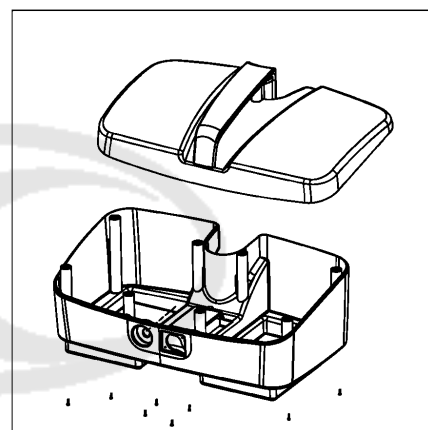
Battery



31500



32103



5032A

5032C

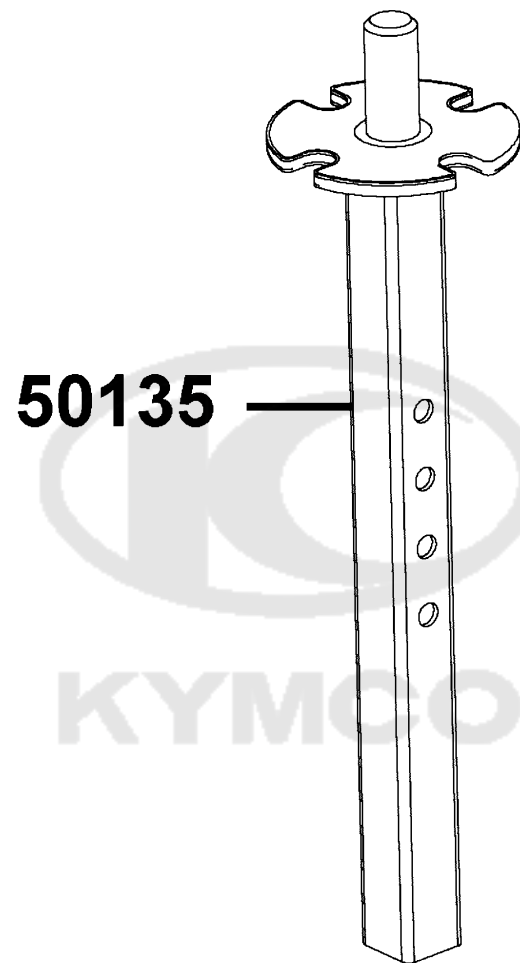
Sales mark	Ref no	Part no	Description	Reg description	Regd no	Ref Price	F09
------------	--------	---------	-------------	-----------------	---------	-----------	------------

	31500	31500-ACK1-E00	ORDER 31500-BAT12	ORDER 31500-BAT12	2	25.00	
	32103	32103-ACK1-E00	CORD SET BATTERY	CORD SET BATTERY	1	13.00	
	5032A	5032A-ACK1-E00	BATTERY CASE NO LOOM	BATTERY CASE NO LOOM	1	25.00	
	5032C	5032C-ACK1-E00	BATTERY ASSY	BATTERY ASSY	1	25.00	



F10

Seat Tube



Sales mark	Ref no	Part no	Description	Reg description	Regd no	Ref Price	F10
------------	--------	---------	-------------	-----------------	---------	-----------	------------

50135

50135-ACK1-E00

SEAT TUBE

SEAT TUBE

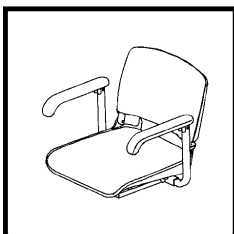
1

16.00

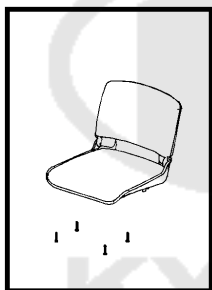


F11

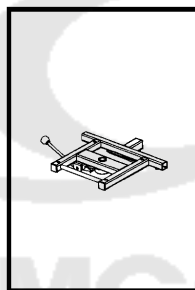
Seat



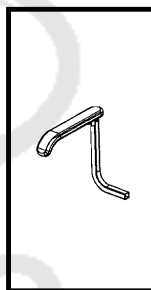
77200



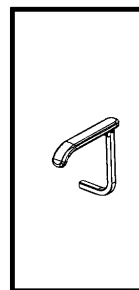
77201



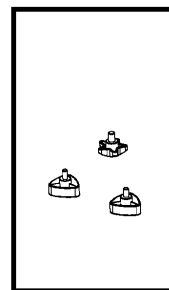
77250



77110



77310



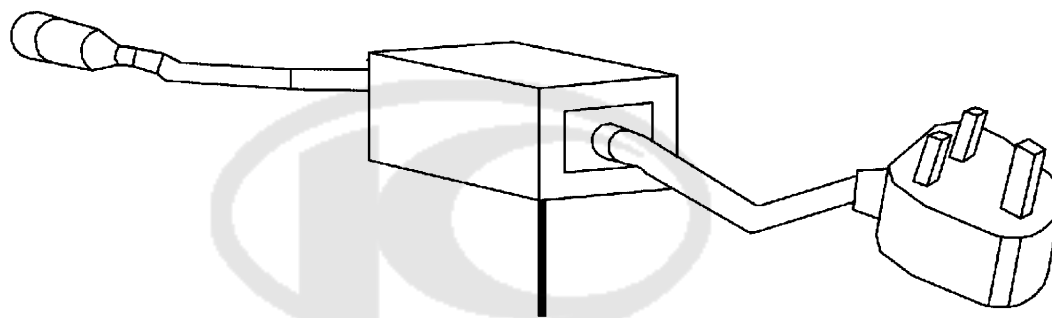
77223

Sales mark	Ref no	Part no	Description	Reg description	Regd no	Ref Price	F11
77110	77110-ACK1-E00	77110-ACK1-E00	SUPPORT ARM REST (R)	SUPPORT ARM REST (R)	1	31.20	
77200	77200-ACK1-E00	77200-ACK1-E00	SEAT ASSY- K-LITE- BLACK	SEAT ASSY- K-LITE- BLACK	1	155.24	
77201	77201-ACK1-E00	77201-ACK1-E00	PLATE SEAT	PLATE SEAT	1	48.75	
77223	77223-ACK1-E00	77223-ACK1-E00	ARMREST TIGHTENING HAND KNOB	ARMREST TIGHTENING HAND KNOB KIT	1	5.85	
77250	77250-ACK1-E00	77250-ACK1-E00	BASE ASSY SEAT	BASE ASSY SEAT	1	40.95	
77310	77310-ACK1-E00	77310-ACK1-E00	SUPPORT ARM REST (L)	SUPPORT ARM REST (L)	1	31.20	



F12

Charger



31800

KYMCO

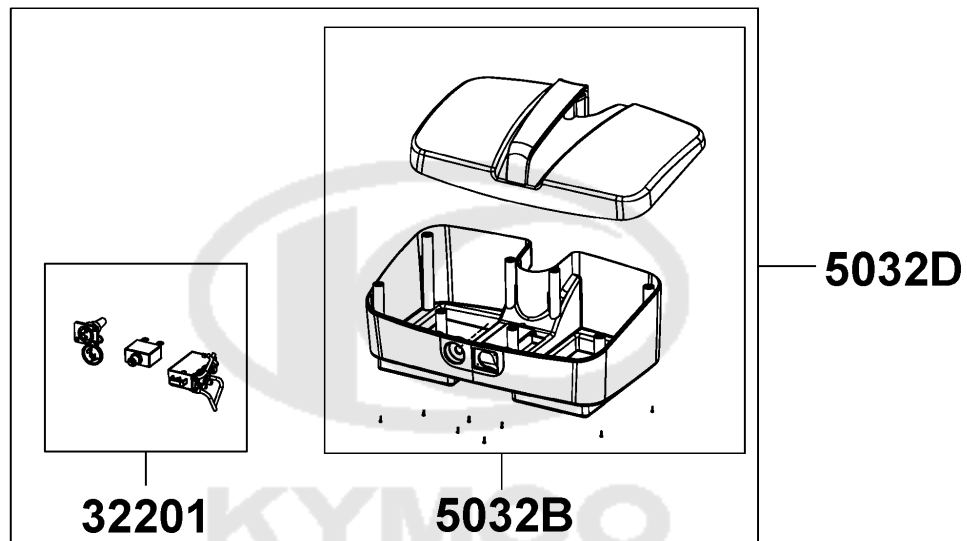
Sales mark	Ref no	Part no	Description	Reg description	Regd no	Ref Price	F12
------------	--------	---------	-------------	-----------------	---------	-----------	-----

31800		31800-ACK1-E00	CHARGER ASSEMBLY	CHARGER ASSEMBLY	1	70.00	
-------	--	----------------	------------------	------------------	---	-------	--



F13

Battery Box(Accessory)



Sales mark	Ref no	Part no	Description	Reg description	Regd no	Ref Price	F13
------------	--------	---------	-------------	-----------------	---------	-----------	------------

32201		32201-ACK1-E00	CORD SET BATTERY 21AH	CORD SET BATTERY 21AH	1		
5032B		5032B-ACK1-E00	BATTERY ASSY CASE 21AH (BOX	BATTERY ASSY CASE 21AH (BOX ONLY)	1	29.25	
5032D		5032D-ACK1-E00	BATTERY ASSY(21AH) (complete with	BATTERY ASSY(21AH) (complete with	1	39.00	



PART NO. INDEX

PART NO.	VERSION	PAGE	PART NO.	VERSION	PAGE	PART NO.	VERSION	PAGE
10000			34000			44000		
1000A-ACK1-E00	0	F08	34010-ACK1-E00	0	F03	44315-ACK1-E00	0	F05
11000			35000			4444A-ACK1-E00	0	F05
1110A-ACK1-E00	0	F08	35010-ACK1-E00	0	F03	4460A-ACK1-E00	0	F05
31000			35111-ACK1-E00	0	F03	47000		
31300-ACK1-E00	0	F08	35180-ACK1-E00	0	F03	4740A-ACK1-E00	0	F05
31301-ACK1-E00	0	F08	36000			50000		
3135A-ACK1-E00	0	F08	36000-ACK1-E00	0	F07	50110-ACK1-E00	0	F04
31500-ACK1-E00	0	F09	36101-ACK1-E00	0	F03	50111-ACK1-E00	0	F04
31800-ACK1-E00	0	F12	37000			50112-ACK1-E00	0	F04
32000			37201-ACK1-E00	0	F03	5011A-ACK1-E00	0	F04
32100-ACK1-E00	0	F03	37806-ACK1-E00	0	F03	50120-ACK1-E00	0	F08
32101-ACK1-E00	0	F07	42000			50130-ACK1-E00	0	F08
32102-ACK1-E00	0	F08	4260A-ACK1-E00	0	F08	50135-ACK1-E00	0	F10
32103-ACK1-E00	0	F09				50150-ACK1-E00	0	F02
32104-ACK1-E00	0	F06				50160-ACK1-E00	0	F03
32201-ACK1-E00	0	F13				50190-ACK1-E00	0	F01
						50301-ACK1-E00	0	F04
						5032A-ACK1-E00	0	F09
						5032B-ACK1-E00	0	F13

PART NO. INDEX

PART NO.	VERSION	PAGE	PART NO.	VERSION	PAGE	PART NO.	VERSION	PAGE
5032C-ACK1-E00	0	F09	77200-ACK1-E00	0	F11			
5032D-ACK1-E00	0	F13	77201-ACK1-E00	0	F11			
50350-ACK1-E00	0	F08	77223-ACK1-E00	0	F11			
			77250-ACK1-E00	0	F11			
			77310-ACK1-E00	0	F11			
53000								
5310C-ACK1-E00	0	F03	80000					
5311A-ACK1-E00	0	F03						
53166-ACK1-E00	0	F03	80100-ACK1-E00	0	F08			
53206-ACK1-E00	0	F03						
53209-ACK1-E00	0	F04	83000					
5320A-ACK1-E00	0	F03						
5320B-ACK1-E00	0	F04	83600-ACK1-E00	0	F08			
5340A-ACK1-E00	0	F05						
53704-ACK1-E00	0	F05	86000					
5370A-ACK1-E00	0	F05						
			86102-LAB4-900	2	F06			
64000								
64310-ACK1-E00	0	F06						
64320-ACK1-E00	0	F06						
6433A-ACK1-E00	0	F06						
77000								
77110-ACK1-E00	0	F11						