

PARTS CATALOGUE



MOBILITY SCOOTER

EQ10AA(UK)

Micro For U



Release Date : 1899/12/31
Print Date : 2019/10/31

ABOUT THIS PARTS LIST

- This parts list is compiled all service parts for model EQ10AA(UK).
- Any difference between color chart and motorcycle will be revised according to motorcycle.
- The Mark:
 1. Marking "***" must add color code in the end before ordering parts.
 2. Marking "#" are parts with modification, Please find the details from e-Parts system.
- When modification or additions to this parts list are made a revised edition at an appropriate time.



CONTENTS

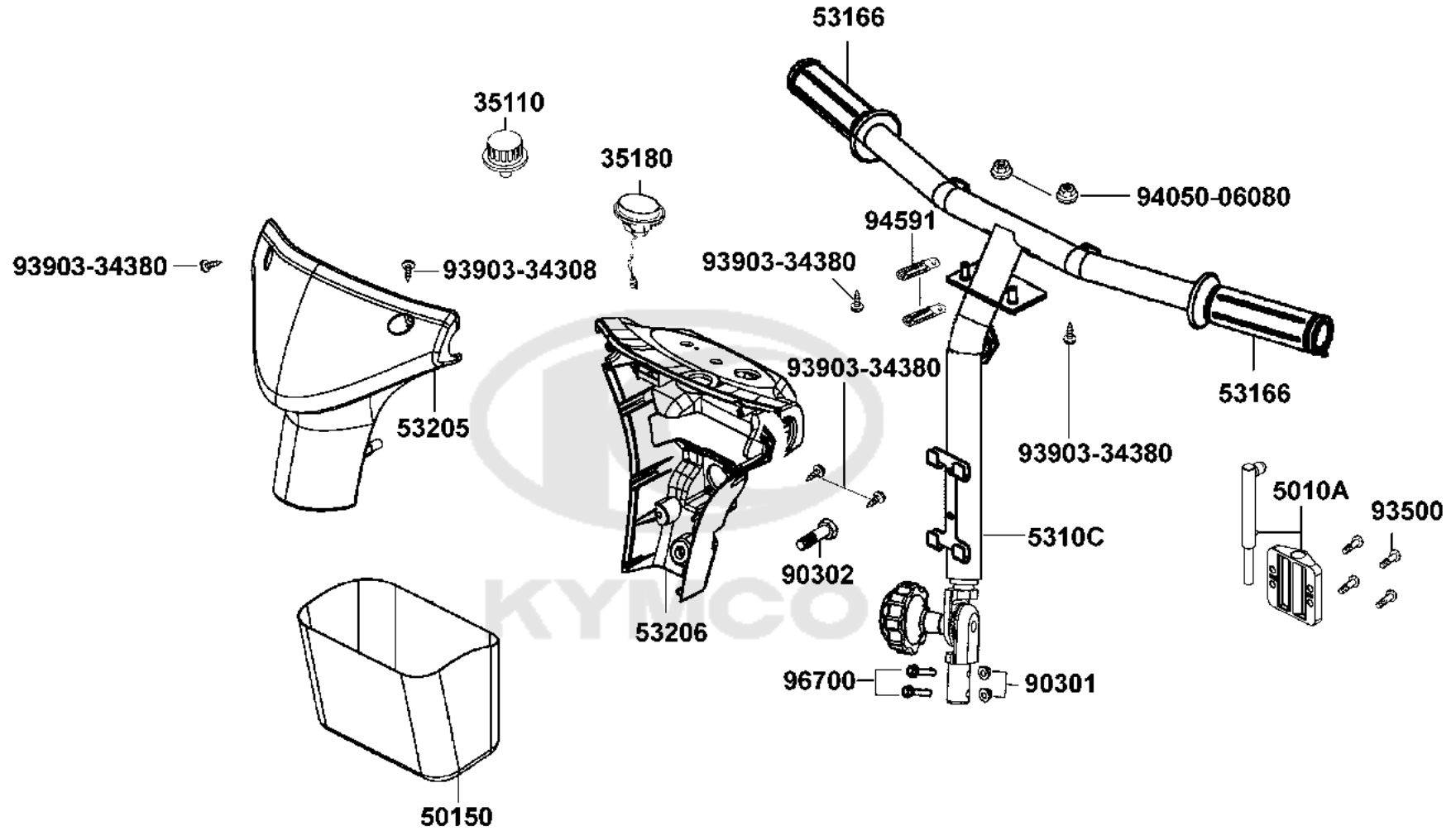
● ABOUT THIS PARTS LIST	1
● COLOR CHART OF EQ10AA(UK)	3
● CONTENTS-ENGINE GROUP	5
● CONTENTS-FRAME GROUP	5
● ENGINE PARTS LIST	7
● FRAME PARTS LIST	7
● PART NO. INDEX	35

CONTENTS - FRAME GROUP

F01 Handle Steering	F02 Panel Floor	F03 Stem Steering
F04 Front Wheel	F05 Rear Wheel	F06 Seat
F07 Battery	F08 Motor Translaxe Assy	F09 Reflex Reflector Side

F01

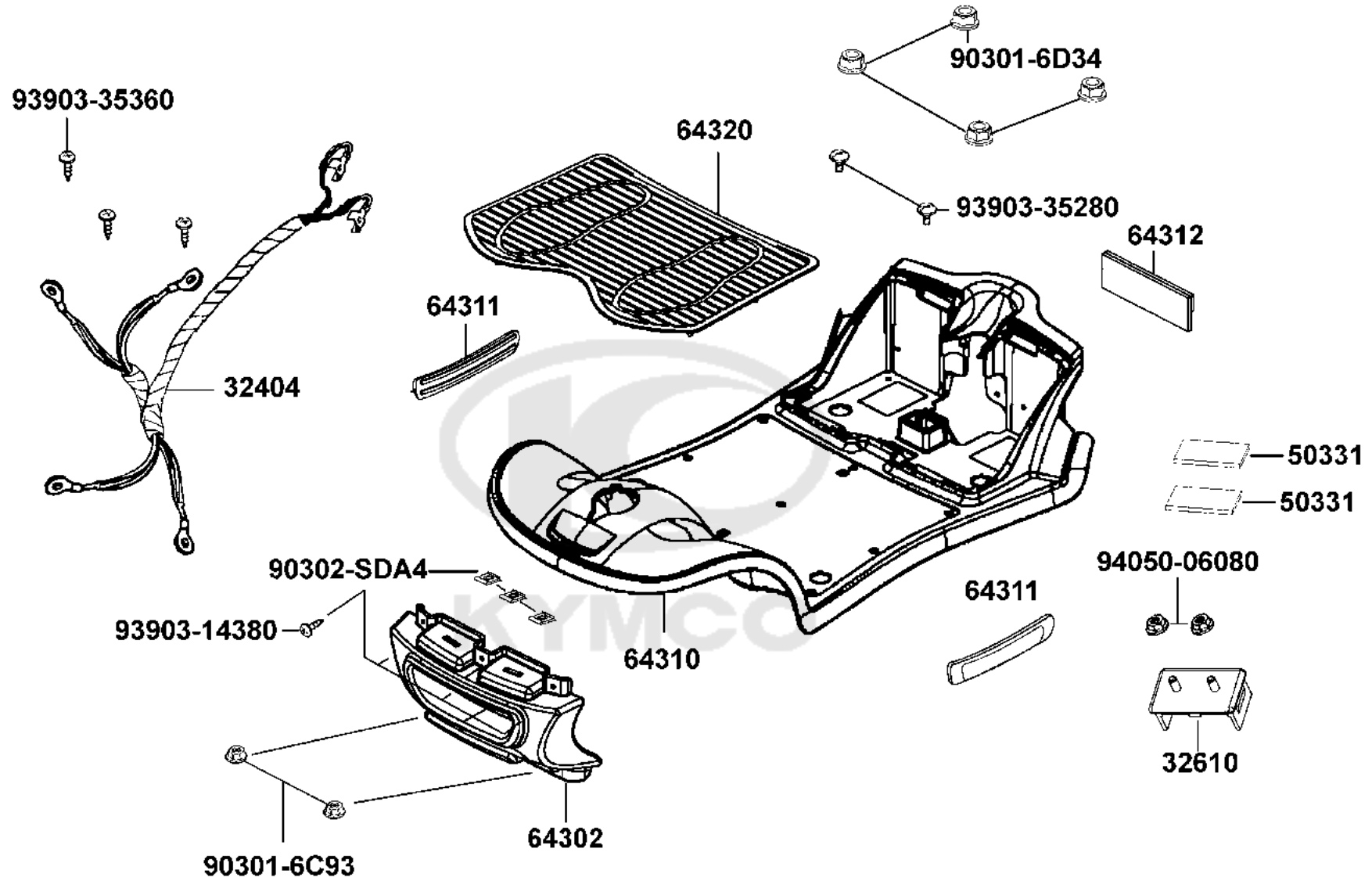
Handle Steering



Sales mark	Ref no	Part no	Description	Reg description	Regd no	Ref Price	F01
	35110	35110-LAC5-C00	ORDER 35110-LHD7-900	ORDER 35110-LHD7-900	1	5.20	
	35180	35180-LAE9-C00	SW UNIT HORN ALT 35180-LED4-900	SW UNIT HORN ALT 35180-LED4-900	1	6.50	
	5010A	5010A-LDE5-C00	USE 5010A-LDE5-900	USE 5010A-LDE5-900	1	3.25	
	50150	50150-LAE9-C00	ORDER 50150-LHD7-900	ORDER 50150-LHD7-900	1	13.00	
	5310C	5310C-LDE5-C00	HANDLE ASSY	HANDLE ASSY	1	40.44	
	53166	53166-LAE9-E00	HAND GRIP	HAND GRIP	2	3.25	
**	53205	53205-LAE9-C00	FRONT TILLER COVER- MINI RANGE-	FRONT TILLER COVER- MINI RANGE-	1	16.25	
**	53206	53206-LAE9-C00	COVER RR HANDLE	COVER RR HANDLE	1	11.05	
	90301	90301-6C93-C00	NUT 6MM OPENSTAY	NUT 6MM OPENSTAY	1	0.25	
	90302	90302-LLB1-C01	BOLT-WASH 5*12	BOLT-WASH 5*12	1		
	93500	93500-04012-0G	SCREW PAN 4*12 (K)	SCREW PAN 4*12 (K)	4	0.48	
	93903	93903-34380	SCREW TAPPING 4*12(K)	SCREW TAPPING 4*12(K)	6	0.22	
	94050	94050-06080	NUT FLANGE 6MM(C)	NUT FLANGE 6MM(C)	2	0.49	
	94591	94591-LDC8-E10	CLIP BIND	CLIP BIND	2	0.42	
	96700	96700-LDE5-C00	SCOKET BOLT 6*28 (K)	SCOKET BOLT 6*28 (K)	1	3.25	

F02

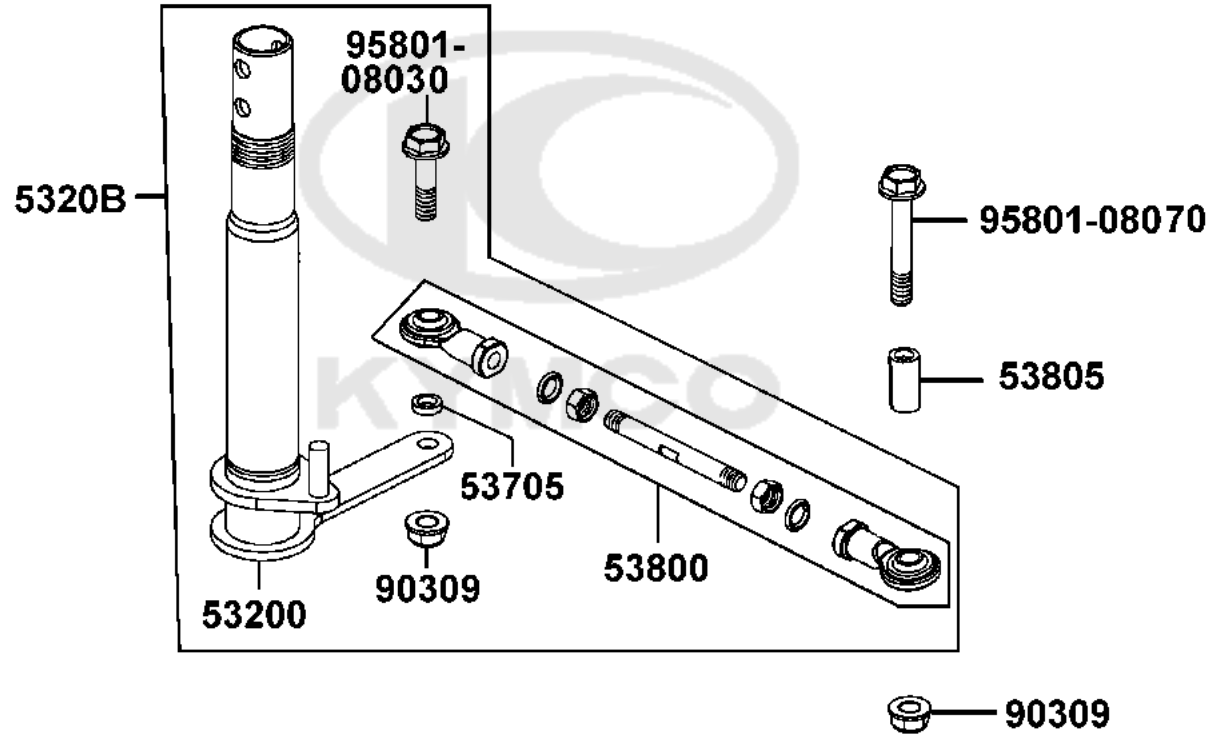
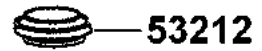
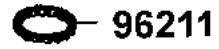
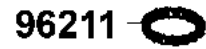
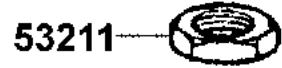
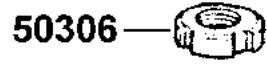
Panel Floor



Sales mark	Ref no	Part no	Description	Reg description	Regd no	Ref Price	F02
	32404	32404-LDE4-C00	POWER CORD	POWER CORD	1	11.70	
	32610	32610-LAE9-C00	USE 32610-LAE9-E00	USE 32610-LAE9-E00	1	13.00	
	50331	50331-LAE9-C00	DUAL LOCK M	DUAL LOCK M	1	3.25	
	64302	64302-LDE5-900	FRONT PLASTIC BUMPER- MICRO-	FRONT PLASTIC BUMPER- MICRO-	1	14.30	
**	64310	64310-LDE5-900	Obsolete	Obsolete	1	62.82	
	64311	64311-LDE5-C10	MOLD A(460)	MOLD A(460)	1	3.25	
	64312	64312-LBE1-C00	MOLD B	MOLD B	1	3.25	
	64320	64320-LDE5-900	FLOOR MAT- MICRO- BLACK MAT	FLOOR MAT- MICRO- BLACK MAT	1	7.80	
	90301-6C93	90301-6C93-C00	NUT 6MM OPENSTAY	NUT 6MM OPENSTAY	1	0.25	
	90301-6D34	90301-6D34-C00	NUT FLANGE 6MM	NUT FLANGE 6MM	1	0.61	
	90302	90302-SDA4-C00	NUT SPRING 4MM	NUT SPRING 4MM	1	0.26	
	93903-14380	93903-14380	SCREW TAPPING	SCREW TAPPING	3	0.07	
	93903-35280	93903-35280	SCREW TAPPING 5*12 (K)	SCREW TAPPING 5*12 (K)	2	0.13	
	93903-35360	93903-35360	SCREW TAPPING 5*16 **C.2005.07.01	SCREW TAPPING 5*16 **C.2005.07.01	3	0.50	
	94050	94050-06080	NUT FLANGE 6MM(C)	NUT FLANGE 6MM(C)	2	0.49	

F03

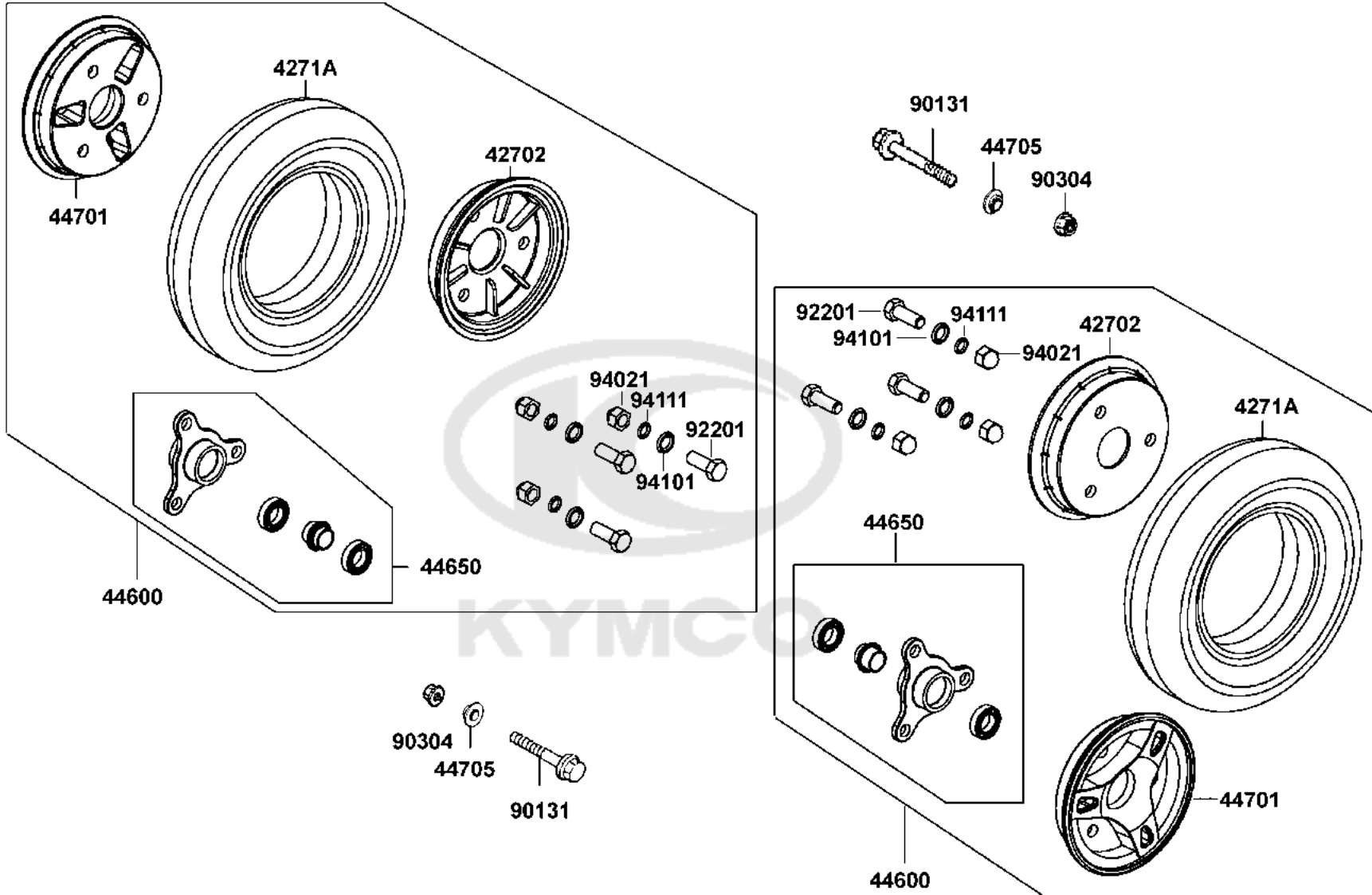
Stem Steering



Sales mark	Ref no	Part no	Description	Reg description	Regd no	Ref Price	F03
	50306	50306-LCA1-C00	NUT STRG STEM LOCK	NUT STRG STEM LOCK	1	6.50	
	53200	53200-LDE5-C00	STEM COMP STRG	STEM COMP STRG	1	13.65	
	5320B	5320B-LDE5-C10	STEM ASSY STRG	STEM ASSY STRG	1	22.75	
	53211	53211-LCA1-C00	RACE STRG TOP CONE	RACE STRG TOP CONE	1	3.25	
	53212	53212-GHC8-C00	USE 53212-GHC8-004	USE 53212-GHC8-004	1	2.60	
	53705	53705-LDB4-C00	COLLAR SWING ARM ROD(L=3)	COLLAR SWING ARM ROD(L=3)	1	3.25	
	53800	53800-LDE5-900	ROD ASSY STEM STRG	ROD ASSY STEM STRG	1	13.00	
	53805	53805-LDE5-C00	COLLAR STEM ROD(L=43)	COLLAR STEM ROD(L=43)	1	3.25	
	90309	90309-GLW0-C00	NUT U FLANGE 8MM (C)	NUT U FLANGE 8MM (C)	1	0.85	
	95801-08030	95801-08030-06	BOLT FLANGE 8*30	BOLT FLANGE 8*30	1	0.50	
	95801-08070	95801-08070-07	BOLT FLANGE 8*70	BOLT FLANGE 8*70	1	3.25	
	96211	96211-05000	BALL BEARING PACK OF 100	BALL BEARING PACK OF 100	55	3.25	

F04

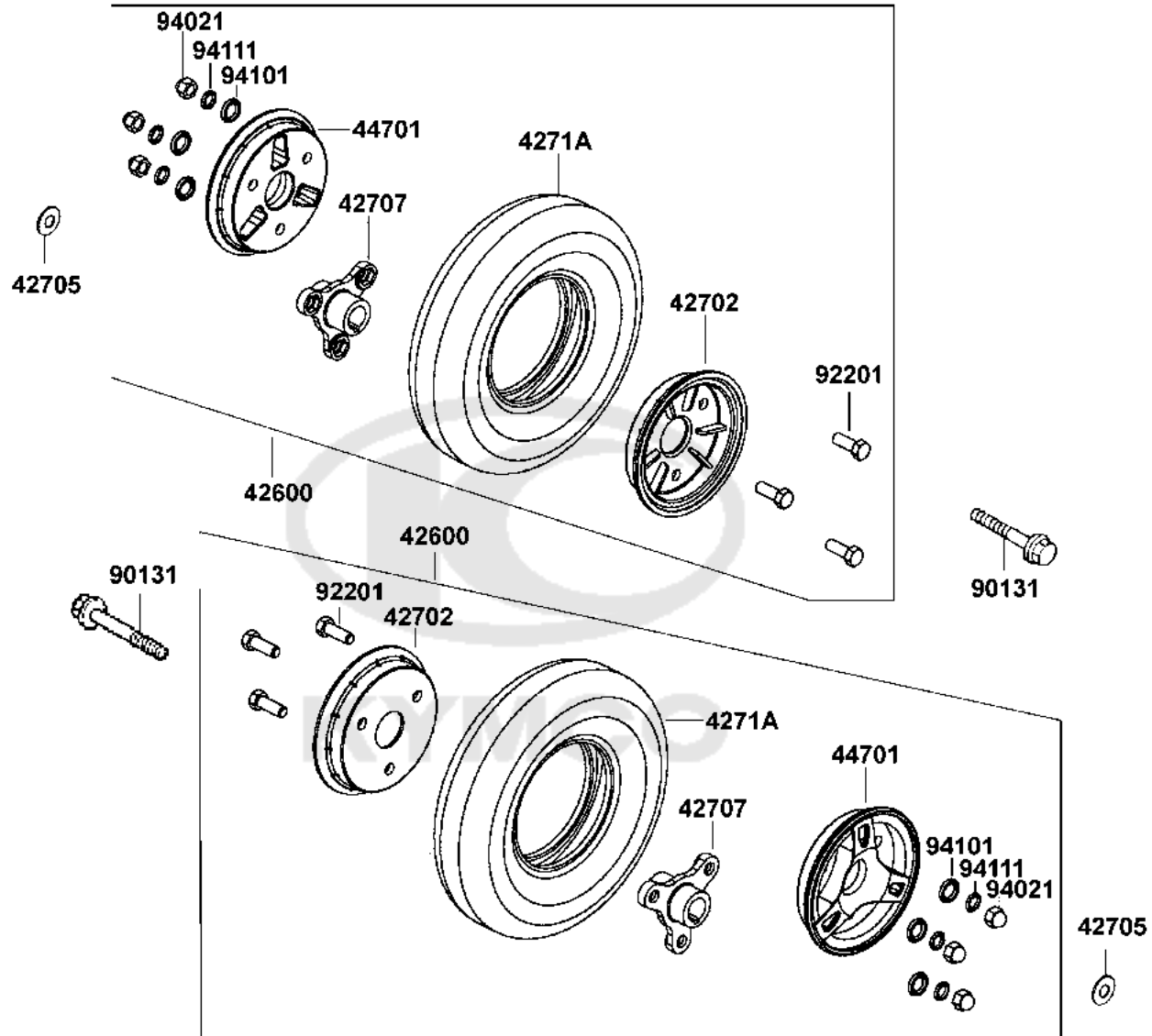
Front Wheel



Sales mark	Ref no	Part no	Description	Reg description	Regd no	Ref Price	F04
	42702	42702-LDE5-C00	RIM COMP RR	RIM COMP RR	2	5.53	
	4271A	4271A-LCA1-C00	Obsolete	Obsolete	2	28.25	
	44600	44600-LDE5-C00	WHEEL ASSY FR	WHEEL ASSY FR	2	37.00	
	44650	44650-LDE5-C00	CONNECTOR ASSY FR WHEEL	CONNECTOR ASSY FR WHEEL	2	13.00	
	44701	44701-LDE5-C00	RIM CAST FR	RIM CAST FR	2	5.20	
	44705	44705-LDE5-C00	ORDER 44705-LDE5-900	ORDER 44705-LDE5-900	1	3.25	
	90131	90131-LCA1-C00	ORDER 90131-LCA1-E00	ORDER 90131-LCA1-E00	1	1.00	
	90304	90304-GHE8-C00	NUT U 10MM (C)	NUT U 10MM (C)	1	0.68	
	92201	92201-08032-0H	BOLT HEX 8*32	BOLT HEX 8*32	6	3.25	
	94021	94021-08000-0S	NUT HEX CAP 8MM (B)	NUT HEX CAP 8MM (B)	6	3.25	
	94101	94101-08000	WASHER PLAIN 8MM	WASHER PLAIN 8MM	6	0.16	
	94111	94111-08000	WASHER SPRING 8MM	WASHER SPRING 8MM	6	0.55	

F05

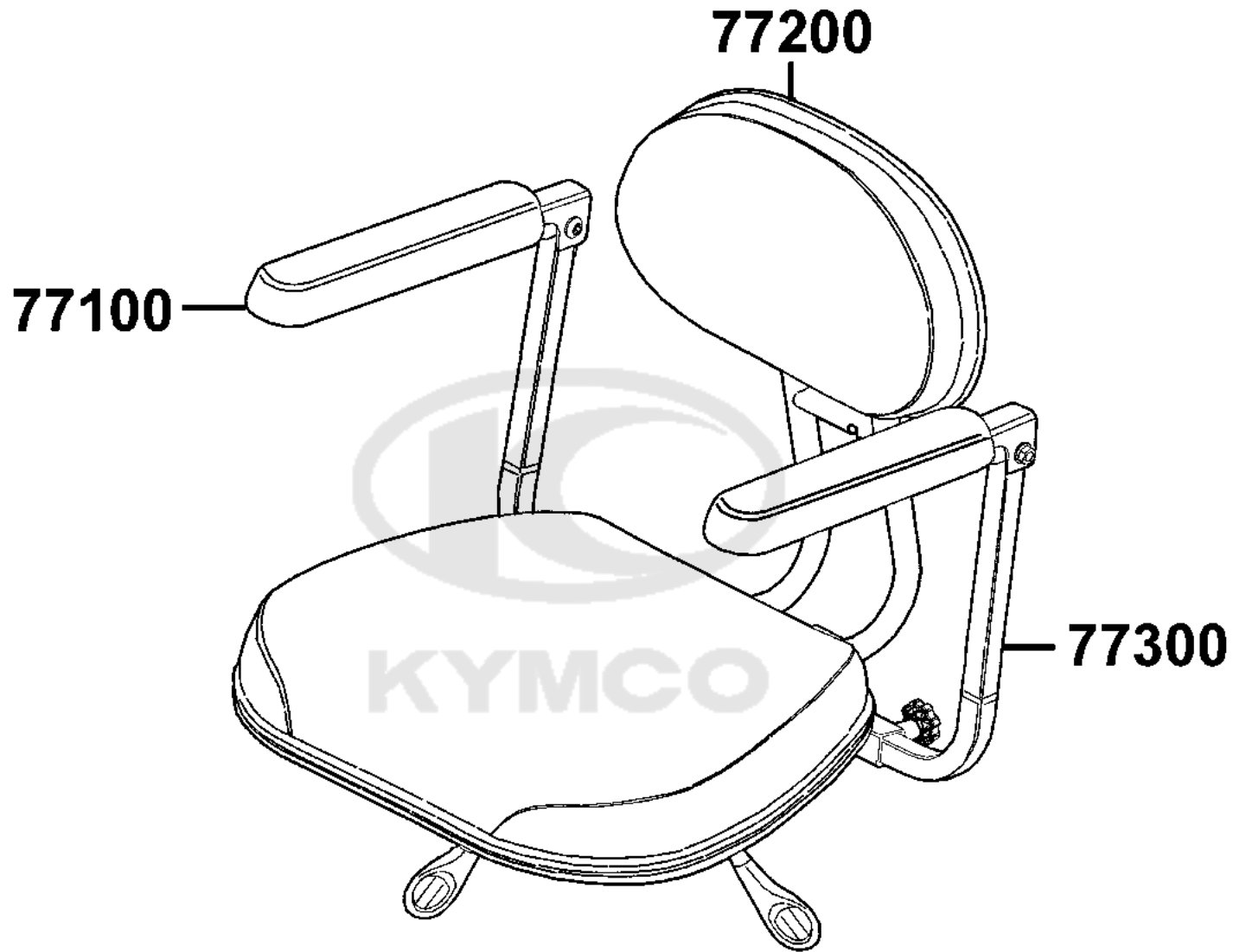
Rear Wheel



Sales mark	Ref no	Part no	Description	Reg description	Regd no	Ref Price	F05
	42600	42600-LCA1-C00	WHEEL ASSY RR	WHEEL ASSY RR	2	37.00	
	42702	42702-LDE5-C00	RIM COMP RR	RIM COMP RR	2	5.53	
	42705	42705-LCA1-C00	ORDER 42705-LCA1-E00	ORDER 42705-LCA1-E00	1	5.00	
	42707	42707-LCA1-C00	CONNECTOR RR WHEEL	CONNECTOR RR WHEEL	2	5.20	
	4271A	4271A-LCA1-C00	Obsolete	Obsolete	2	28.25	
	44701	44701-LDE5-C00	RIM CAST FR	RIM CAST FR	2	5.20	
	90131	90131-LCA1-C00	ORDER 90131-LCA1-E00	ORDER 90131-LCA1-E00	1	1.00	
	92201	92201-08032-0H	BOLT HEX 8*32	BOLT HEX 8*32	6	3.25	
	94021	94021-08000-0S	NUT HEX CAP 8MM (B)	NUT HEX CAP 8MM (B)	6	3.25	
	94101	94101-08000	WASHER PLAIN 8MM	WASHER PLAIN 8MM	6	0.16	
	94111	94111-08000	WASHER SPRING 8MM	WASHER SPRING 8MM	6	0.55	

F06

Seat



Sales mark	Ref no	Part no	Description	Reg description	Regd no	Ref Price	F06
------------	--------	---------	-------------	-----------------	---------	-----------	------------

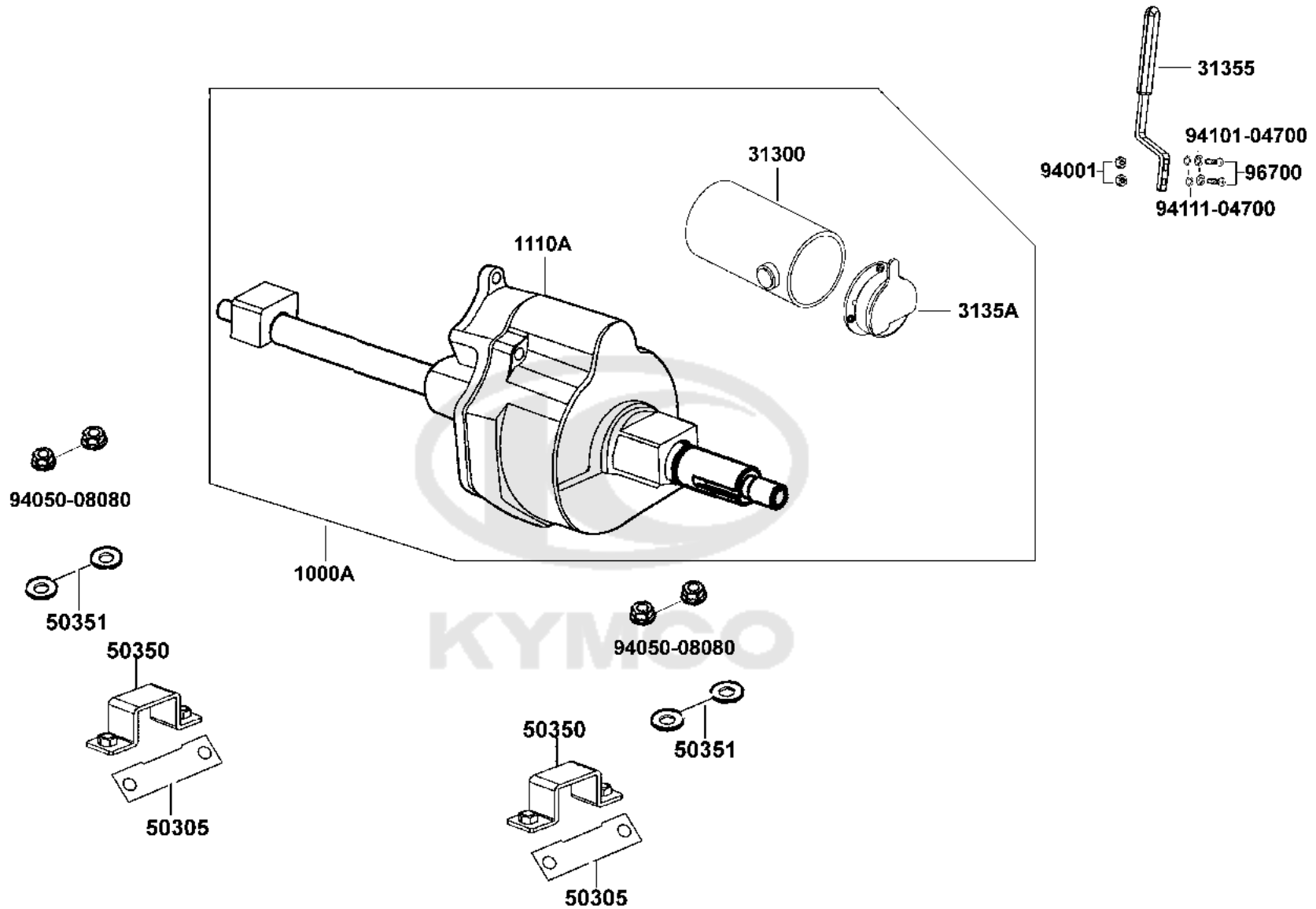
77100		77100-LCA1-C00	ARM REST ASSY R/H	ARM REST ASSY R/H	1	31.20	
77200		77200-LCA1-C11	OBSOLETE	OBSOLETE	1	155.24	
77300		77300-LCA1-C00	ARM REST ASSY L/H	ARM REST ASSY L/H	1	31.20	



Sales mark	Ref no	Part no	Description	Reg description	Regd no	Ref Price	F07
	31500	31500-LAE9-C0A	BATTERY 12V 12AH	BATTERY 12V 12AH	2	53.80	
	32201	32201-LCA1-C00	CONNECT CORD BATTERY	CONNECT CORD BATTERY	1	18.20	
	32620	32620-LAE9-C00	USE 32620-LAE9-E00	USE 32620-LAE9-E00	1	8.45	
**	50325	50325-LCA1-C00	CASE BATTERY (12AH)	CASE BATTERY (12AH)	1	16.25	
**	50326	50326-LCA1-C00	Obsolete	Obsolete	1	35.75	
	50329	50329-LDE4-C00	ORDER 50329-LDE4 E00	ORDER 50329-LDE4 E00	1	13.00	
	5032A	5032A-LDE4-E00	CASE ASS'Y BATTERY	CASE ASS'Y BATTERY	1	16.25	
	50330-LAE9	50330-LAE9-E01	SPONGE BATTERY	SPONGE BATTERY	2	3.25	
	50330-LBA2	50330-LBA2-C10	SPONGE BATTERY	SPONGE BATTERY	2	10.40	
	50332	50332-LDE4-C00	DUAL LOCK F	DUAL LOCK F	1	13.00	
	83551	83551-KKAK-C00	GROMMET AIR CLEANER C	GROMMET AIR CLEANER C	1	0.64	
	90302	90302-GFY6-C10	BOLT-WASH 5*16	BOLT-WASH 5*16	1	0.68	
	90677	90677-GAR1-C00	NUT CLIP 5MM	NUT CLIP 5MM	1	0.61	
	93891	93891-05012-07	SCREW WASHER 5*12 (K)	SCREW WASHER 5*12 (K)	4	0.65	
	93901	93901-32120	SCREW TAPPING 3*8 *(1) C.V.	SCREW TAPPING 3*8 *(1) C.V.	2	0.26	
	93903	93903-34380	SCREW TAPPING 4*12(K)	SCREW TAPPING 4*12(K)	2	0.22	

F08

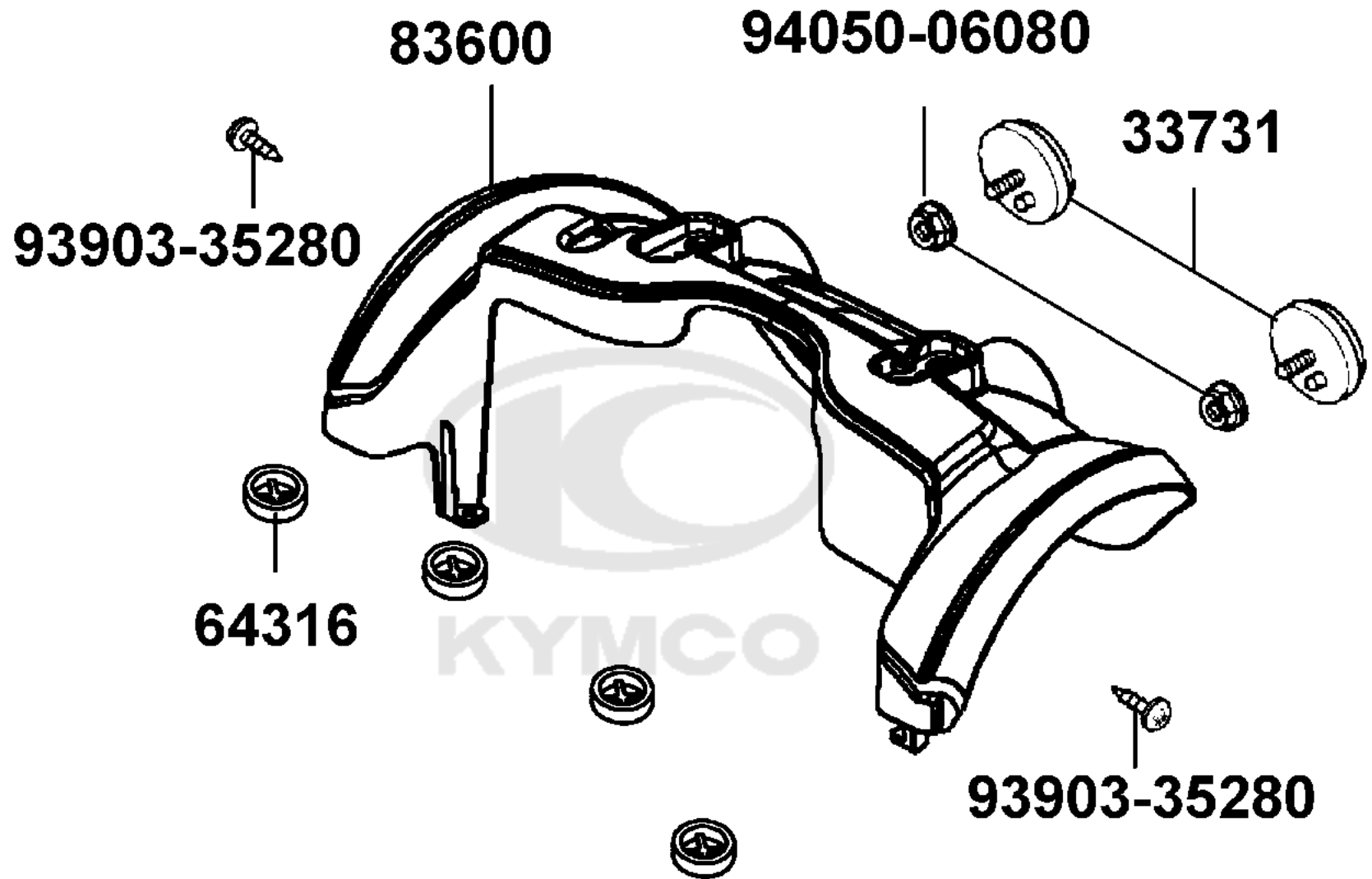
Motor Translaxe Assy



Sales mark	Ref no	Part no	Description	Reg description	Regd no	Ref Price	F08
	1000A	1000A-LDE4-C01	MOTOR TRANSLAXE ASSY	MOTOR TRANSLAXE ASSY	1	295.74	
	1110A	1110A-LCA1-C00	MISSION ASSY	MISSION ASSY	1	157.45	
	31300	31300-LDE4-C00	MOTOR ASSY	MOTOR ASSY	1	100.00	
	31355	31355-LCA1-C00	REAR BRAKE LEVEL	REAR BRAKE LEVEL	1	3.25	
	3135A	3135A-LCA1-315	BREAK ASSY RR	BREAK ASSY RR	1	52.00	
	50305	50305-LDE5-C00	RUBBER MOTOR	RUBBER MOTOR	1	6.50	
	50350	50350-LDE5-C00	CONNECTOR,GEAR BOX	CONNECTOR,GEAR BOX	1	5.20	
	50351	50351-LAE9-C00	COLLAR TRANSLAXE MOTOR	COLLAR TRANSLAXE MOTOR	4	3.25	
	94001	94001-04070	NUT HEX 6MM (K)	NUT HEX 6MM (K)	2	0.25	
	94050	94050-08080	NUT FLANGE 8MM (C)	NUT FLANGE 8MM (C)	4	0.49	
	94101	94101-04700	WASHER PLAIN 4MM (K)	WASHER PLAIN 4MM (K)	2	0.18	
	94111	94111-04700	WASHER SPG 4MM(K)	WASHER SPG 4MM(K)	2	0.16	
	96700	96700-04012-07	SCOKET BOLT 4*12 (K)	SCOKET BOLT 4*12 (K)	2	3.25	

F09

Reflex Reflector Side



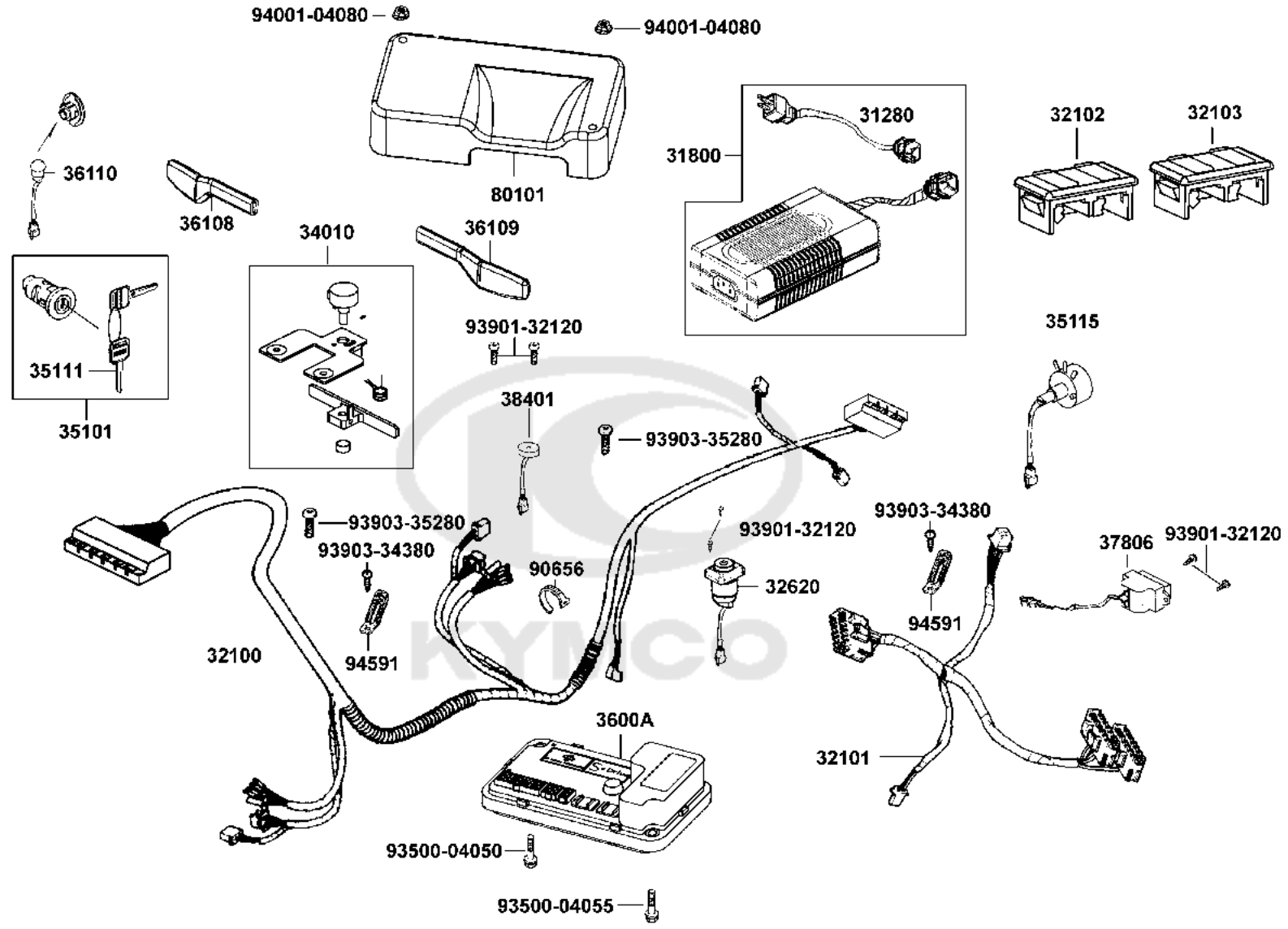
Sales mark	Ref no	Part no	Description	Reg description	Regd no	Ref Price	F09
------------	--------	---------	-------------	-----------------	---------	-----------	------------

	33731	33731-KFA6-M30	USE 33731-KFA6-C00	USE 33731-KFA6-C00	2		
	64316	64316-LAE9-C00	PLUG BODY COVER	PLUG BODY COVER	1	3.25	
**	83600	83600-LDE5-900	COVER BODY	COVER BODY	1	55.25	
	93903	93903-35280	SCREW TAPPING 5*12 (K)	SCREW TAPPING 5*12 (K)	2	0.13	
	94050	94050-06080	NUT FLANGE 6MM(C)	NUT FLANGE 6MM(C)	2	0.49	



F10

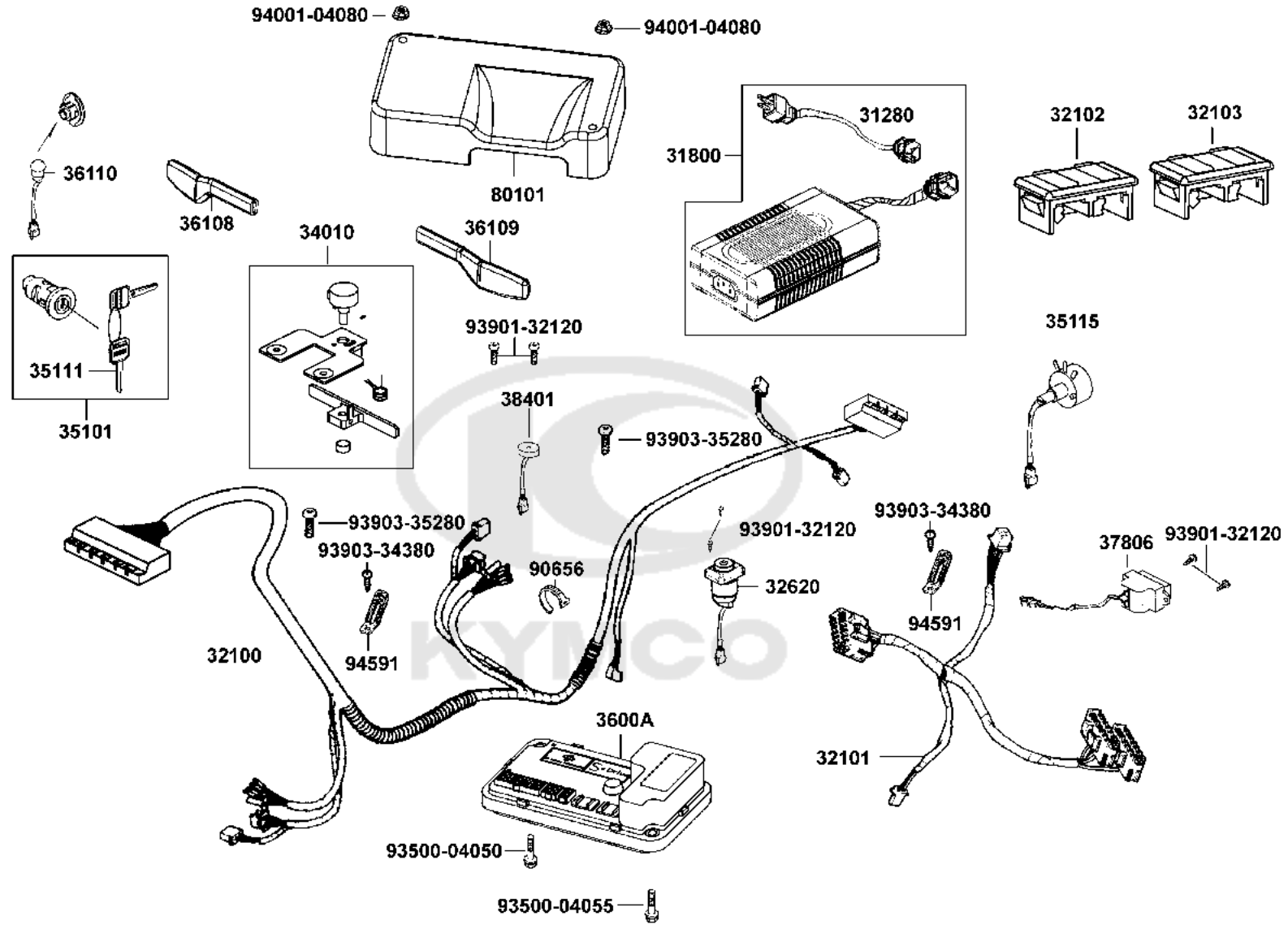
Wire Harness




Sales mark	Ref no	Part no	Description	Reg description	Regd no	Ref Price	F10
	31280	31280-LAC5-C10	CORD AC POWER	CORD AC POWER	1	6.50	
	31800-LDE5	31800-LDE5-C00	BATTERY CHARGER ASSY	BATTERY CHARGER ASSY	1	70.00	
	32100	32100-LDE4-C00	HARNESS WIRE MAIN LOOM	HARNESS WIRE MAIN LOOM	1	26.00	
	32101	32101-LDE4-C00	Obsolete	Obsolete	1	28.18	
	32102	32102-LDE4-C10	SUB HARNESS B/ MOTOR	SUB HARNESS B/ MOTOR	1	11.05	
	32103	32103-LDE4-C10	SUB HARNESS B/BRAKE	SUB HARNESS B/BRAKE	1	11.05	
	32620	32620-LAE9-C10	SOCKET CHARGER	SOCKET CHARGER	1	8.45	
	34010	34010-LAE9-C00	THROTTLE	THROTTLE	1	39.00	
	35101	35101-LBB7-C10	SW ASSY COMP ALT 35101-LBB7-C11	SW ASSY COMP ALT 35101-LBB7-C11	1	16.25	
	35111	35111-LBB7-C10	KEY BEFORE EQ20CG-*UK00356*	KEY BEFORE EQ20CG-*UK00356*	2	5.85	
	35115	35115-LAE9-C10	SPEED POT 20K	SPEED POT 20K	1	13.00	
	3600A	3600A-LCA1-C00	ELEC CONTROLLER ASSY	ELEC CONTROLLER ASSY	1	144.43	
	36108	36108-LAE9-C10	LEVER RH THROTTLE	LEVER RH THROTTLE	1	6.50	
	36109	36109-LAE9-C10	LEVER LH THROTTLE	LEVER LH THROTTLE	1	6.50	
	36110	36110-LAE9-C10	USE 36110-LHD7-900	USE 36110-LHD7-900	1	4.87	
	37806	37806-LAE9-C00	VU METER ALT 37806-LAE9-E00	VU METER ALT 37806-LAE9-E00	1	16.25	
	38401	38401-LAE9-C10	USE 38401-AE9-C00	USE 38401-AE9-C00	1	6.50	
	80101	80101-LCA1-C00	COVER ELECTRIC CONTROLLER	COVER ELECTRIC CONTROLLER	1	3.25	
	90656	90656-KCBC-900	BAND OIL HANDLE **9000 C.2005.03.01	BAND OIL HANDLE **9000 C.2005.03.01	1	0.50	
	93500-04050	93500-04050-07	SCREW PAN 4*50	SCREW PAN 4*50	1	3.25	

F10

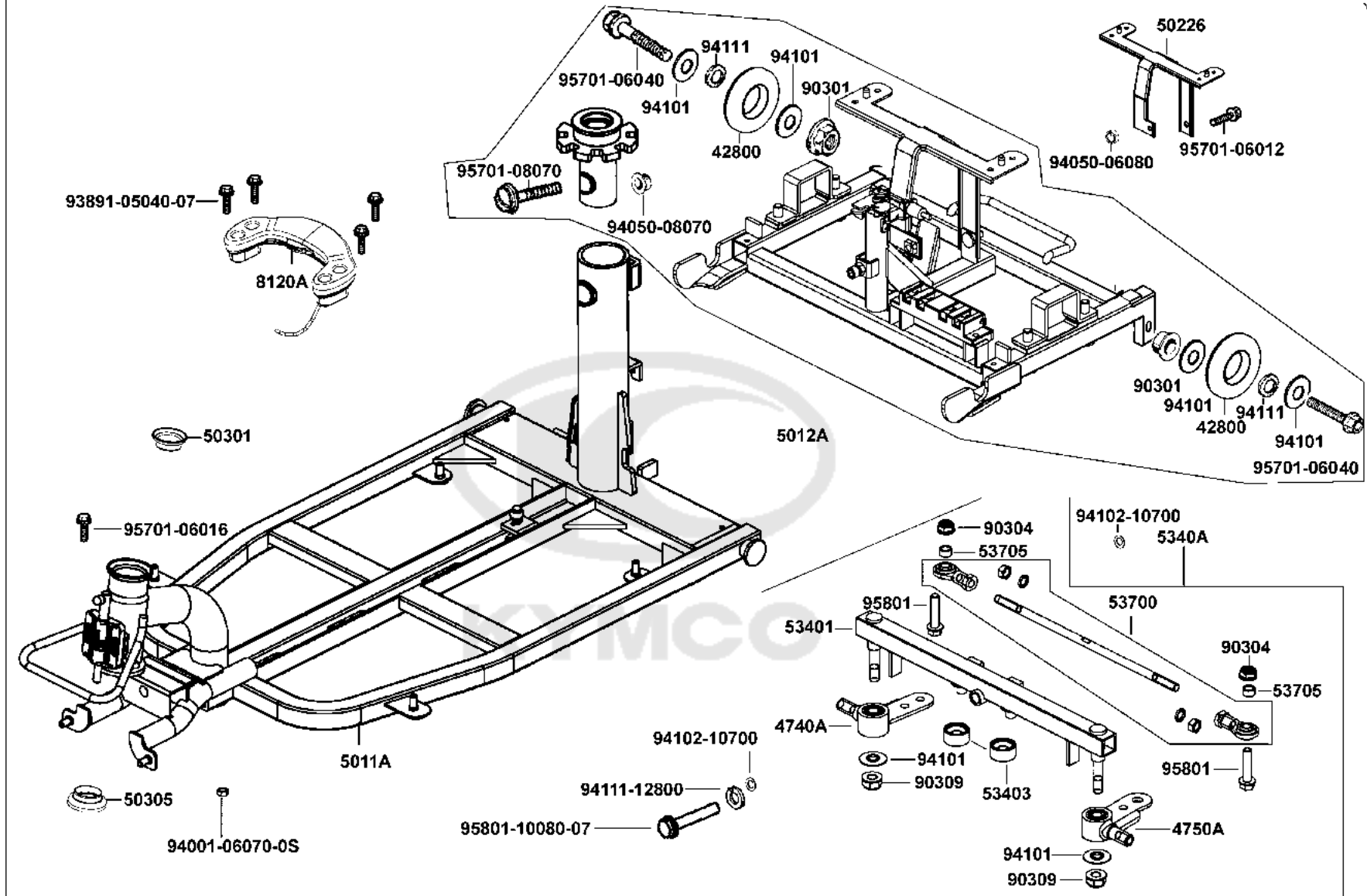
Wire Harness



Sales mark	Ref no	Part no	Description	Reg description	Regd no	Ref Price	F10
	93500-04055	93500-04055-07	SCREW PAN 4*55	SCREW PAN 4*55	1	3.25	
	93901	93901-32120	SCREW TAPPING 3*8 *(1) C.V.	SCREW TAPPING 3*8 *(1) C.V.	8	0.26	
	93903-34380	93903-34380	SCREW TAPPING 4*12(K)	SCREW TAPPING 4*12(K)	2	0.22	
	93903-35280	93903-35280	SCREW TAPPING 5*12 (K)	SCREW TAPPING 5*12 (K)	2	0.13	
	94001	94001-04080-0S	NUT HEX 4MM	NUT HEX 4MM	2	3.25	
	94591	94591-KFBB-C00	CLIP 2*70	CLIP 2*70	1	0.50	
							

F11

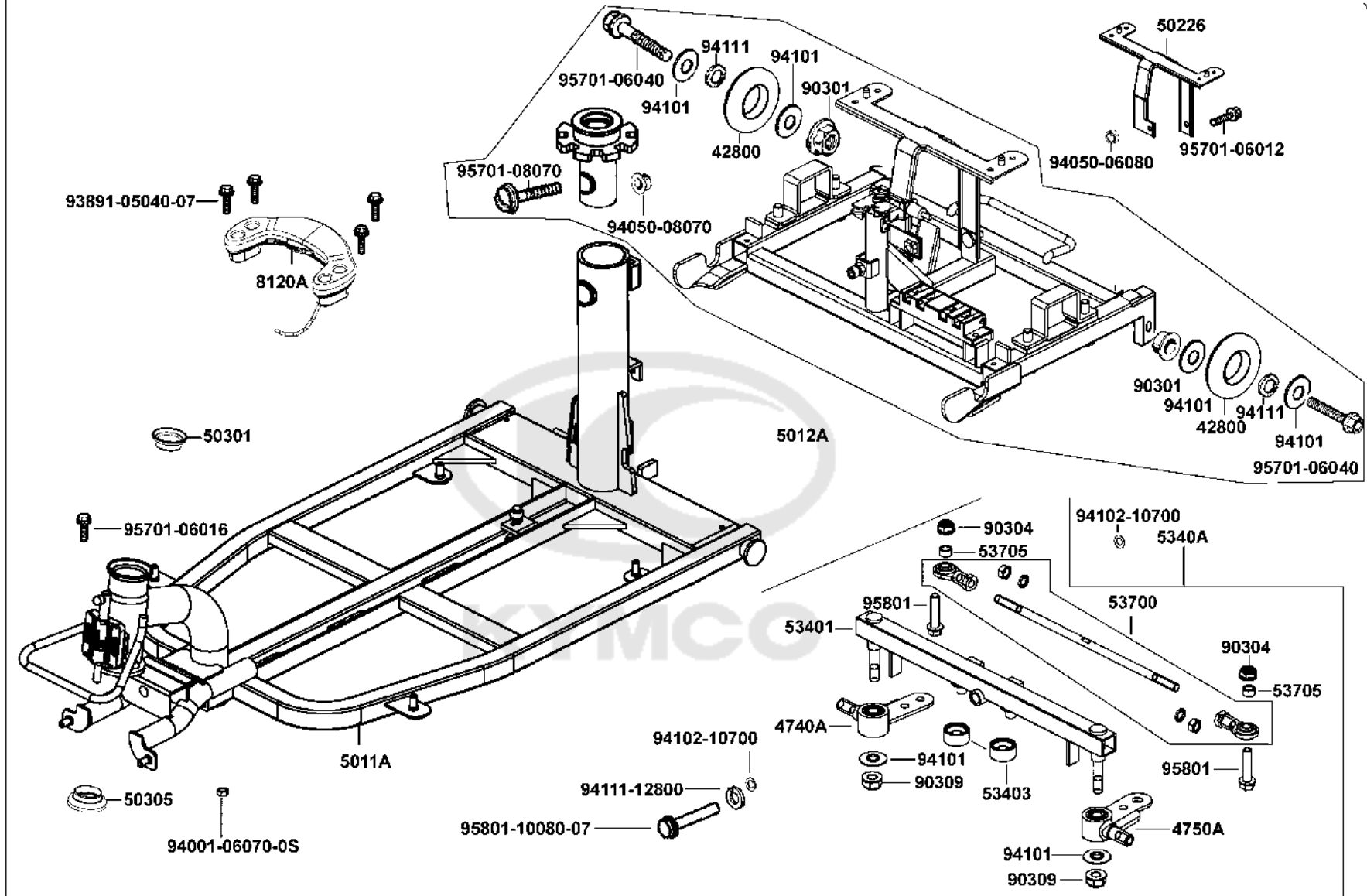
Frame Body



Sales mark	Ref no	Part no	Description	Reg description	Regd no	Ref Price	F11
	42800	42800-LAC5-C00	ORDER 42800-LAC5-900	ORDER 42800-LAC5-900	1	3.25	
	4740A	4740A-LDE5-C00	SHAFT ASSY RH SWING	SHAFT ASSY RH SWING	1	11.70	
	4750A	4750A-LDE5-C00	SHAFT ASSY LH SWING	SHAFT ASSY LH SWING	1	23.40	
	5011A	5011A-LDE5-C00	FRONT FRAME ASSY	FRONT FRAME ASSY	1	123.50	
	5012A	5012A-LDE5-C00	REAR FRAME ASSY	REAR FRAME ASSY	1	39.00	
	50226	50226-LDE5-C10	STAY RR CARRIER	STAY RR CARRIER	1	25.07	
	50301	50301-LCA1-C00	RACE UPPER STRG BALL	RACE UPPER STRG BALL	1	3.25	
	50305	50305-LCA1-C00	RACE UNDER STRG BALL	RACE UNDER STRG BALL	1	3.25	
	53401	53401-LDE5-C00	ARM COMP SWING	ARM COMP SWING	1	22.75	
	53403	53403-LBB7-C00	RUBBER SWING	RUBBER SWING	1	3.25	
	5340A	5340A-LDE5-C00	ORDER 5340A-LDE5-900	ORDER 5340A-LDE5-900	1	36.47	
	53700	53700-LDE5-900	ROD ASSY SWING ARM	ROD ASSY SWING ARM	1	13.00	
	53705	53705-LDE5-C00	COLLAR SWING ARM ROD(L=7)	COLLAR SWING ARM ROD(L=7)	1	3.25	
	8120A	8120A-LDE5-C00	RR GRIP ASSY	RR GRIP ASSY	1	16.25	
	90301	90301-4C73-C00	NUT U 6MM(C)	NUT U 6MM(C)	1	0.25	
	90304	90304-GHE8-C00	NUT U 10MM (C)	NUT U 10MM (C)	1	0.68	
	90309	90309-GLW0-C00	NUT U FLANGE 8MM (C)	NUT U FLANGE 8MM (C)	1	0.85	
	93891	93891-05040-07	SCREW WASHER 5*40 (K)	SCREW WASHER 5*40 (K)	4	3.25	
	94001	94001-06070-0S	NUT HEX 6MM (C)	NUT HEX 6MM (C)	1	3.25	
	94050	94050-06080	NUT FLANGE 6MM(C)	NUT FLANGE 6MM(C)	2	0.49	

F11

Frame Body



Sales mark	Ref no	Part no	Description	Reg description	Regd no	Ref Price	F11
	94101-06800	94101-06800	WASHER PLAIN 6MM **06080	WASHER PLAIN 6MM **06080 C.97.01.01	4	0.12	
	94101-LBB7	94101-LBB7-C00	WASHER	WASHER	1	3.25	
	94102	94102-10700	WASHER PLAIN 10MM (K)	WASHER PLAIN 10MM (K)	5	5.00	
	94111-06700	94111-06700	WASHER SPG 6MM	WASHER SPG 6MM	2	0.22	
	94111-12800	94111-12800	WASHER SPG 12MM	WASHER SPG 12MM	1	0.33	
	95701-06012	95701-06012-08	BOLT FLANGE 6*12	BOLT FLANGE 6*12	1	0.47	
	95701-06016	95701-06016-07	BOLT FLANGE 6*16(K)	BOLT FLANGE 6*16(K)	1	0.25	
	95701-06040	95701-06040-07	BOLT FLANGE 6MM(K)	BOLT FLANGE 6MM(K)	2	0.52	
	95801-08035	95801-08035-08	BOLT FLANGE 8*35	BOLT FLANGE 8*35	2	0.36	
	95801-10080	95801-10080-07	BOLT FLANGE 10*80 (C)	BOLT FLANGE 10*80 (C)	1	5.00	

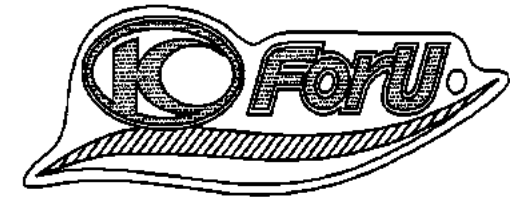




87532-KGAG-V000



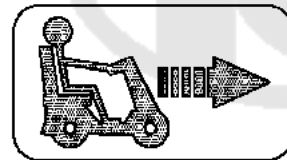
86407-LAE9-E00



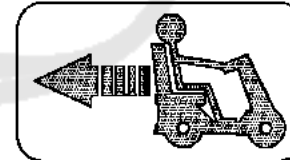
86211-LDB4-900



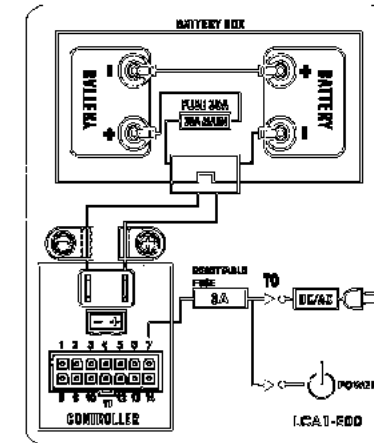
87501-LAE9-E00



87560-LAE9-E00



87660-LAE9-E00



87508-LCA1-E00

Sales mark	Ref no	Part no	Description	Reg description	Regd no	Ref Price	F12
**	86407	86407-LAE9-C00	STRIPE METER	STRIPE METER	1	3.25	
**	87501	87501-LAE9-C00	USE CAUTION	USE CAUTION	1	3.25	
**	87508	87508-LCA1-C00	LABEL BATTERY	LABEL BATTERY	1	3.25	
**	87532	87532-KGAG-C00	EMB KYMCO	EMB KYMCO	1	3.25	
**	87560	87560-LAE9-C00	MARK R DRIVE CAUTION	MARK R DRIVE CAUTION	1	3.25	
**	87660	87660-LAE9-C00	MARK L DRIVE CAUTION	MARK L DRIVE CAUTION	1	3.25	



PART NO. INDEX

PART NO.	VERSION	PAGE	PART NO.	VERSION	PAGE	PART NO.	VERSION	PAGE
10000			32610-LAE9-C00	0	F02	37000		
			32620-LAE9-C00	0	F07			
1000A-LDE4-C01	3	F08	32620-LAE9-C10	0	F10	37806-LAE9-C00	0	F10
11000			33000			38000		
			33731-KFA6-M30	0	F09	38401-LAE9-C10	0	F10
1110A-LCA1-C00	0	F08	34000			42000		
31000			34010-LAE9-C00	2	F10	42600-LCA1-C00	0	F05
31280-LAC5-C10	0	F10	35000			42702-LDE5-C00	0	F04
31300-LDE4-C00	0	F08	35101-LBB7-C10	0	F10	42702-LDE5-C00	0	F05
31355-LCA1-C00	1	F08	35110-LAC5-C00	0	F01	42705-LCA1-C00	0	F05
3135A-LCA1-315	0	F08	35111-LBB7-C10	0	F10	42707-LCA1-C00	0	F05
31500-LAE9-C0A	1	F07	35115-LAE9-C10	0	F10	4271A-LCA1-C00	0	F04
31800-LDE5-C00	0	F10	35180-LAE9-C00	0	F01	4271A-LCA1-C00	0	F05
32000			36000			42800-LAC5-C00	0	F11
32100-LDE4-C00	2	F10	3600A-LCA1-C00	0	F10	44000		
32101-LDE4-C00	2	F10	36108-LAE9-C10	0	F10	44600-LDE5-C00	0	F04
32102-LDE4-C10	0	F10	36109-LAE9-C10	0	F10	44650-LDE5-C00	0	F04
32103-LDE4-C10	0	F10	36110-LAE9-C10	0	F10	44701-LDE5-C00	0	F04
32201-LCA1-C00	0	F07				44701-LDE5-C00	0	F05
32404-LDE4-C00	0	F02						

PART NO. INDEX

PART NO.	VERSION	PAGE	PART NO.	VERSION	PAGE	PART NO.	VERSION	PAGE
44705-LDE5-C00	0	F04	50350-LDE5-C00	0	F08	64311-LDE5-C10	0	F02
47000			50351-LAE9-C00	0	F08	64312-LBE1-C00	0	F02
			53000			64316-LAE9-C00	0	F09
4740A-LDE5-C00	0	F11				64320-LDE5-900	1	F02
4750A-LDE5-C00	0	F11	5310C-LDE5-C00	0	F01	77000		
50000			53166-LAE9-E00	3	F01			
			53200-LDE5-C00	4	F03	77100-LCA1-C00	2	F06
5010A-LDE5-C00	0	F01	53205-LAE9-C00	0	F01	77200-LCA1-C11	0	F06
5011A-LDE5-C00	0	F11	53206-LAE9-C00	4	F01	77300-LCA1-C00	2	F06
5012A-LDE5-C00	1	F11	5320B-LDE5-C10	0	F03	80000		
50150-LAE9-C00	0	F01	53211-LCA1-C00	0	F03			
50226-LDE5-C10	5	F11	53212-GHC8-C00	0	F03	80101-LCA1-C00	2	F10
50301-LCA1-C00	0	F11	53401-LDE5-C00	0	F11	81000		
50305-LCA1-C00	0	F11	53403-LBB7-C00	0	F11			
50305-LDE5-C00	0	F08	5340A-LDE5-C00	0	F11	8120A-LDE5-C00	0	F11
50306-LCA1-C00	1	F03	53700-LDE5-900	5	F11	83000		
50325-LCA1-C00	0	F07	53705-LDB4-C00	0	F03			
50326-LCA1-C00	0	F07	53705-LDE5-C00	0	F11	83551-KKAK-C00	0	F07
50329-LDE4-C00	0	F07	53800-LDE5-900	0	F03	83600-LDE5-900	3	F09
5032A-LDE4-E00	2	F07	53805-LDE5-C00	0	F03			
50330-LAE9-E01	2	F07	64000					
50330-LBA2-C10	0	F07						
50331-LAE9-C00	0	F02	64302-LDE5-900	1	F02			
50332-LDE4-C00	0	F07	64310-LDE5-900	3	F02			

PART NO. INDEX

PART NO.	VERSION	PAGE	PART NO.	VERSION	PAGE	PART NO.	VERSION	PAGE
86000			90304-GHE8-C00	1	F04	93903-35280	1	F09
			90304-GHE8-C00	1	F11	93903-35280	1	F10
			90309-GLW0-C00	0	F03	93903-35360	0	F02
86211-LDB4-900	0	F12	90309-GLW0-C00	0	F11			
86407-LAE9-C00	0	F12	90656-KCBC-900	0	F10	94000		
			90677-GAR1-C00	1	F07			
87000						94001-04070	0	F08
			92000			94001-04080-0S	0	F10
87501-LAE9-C00	0	F12				94001-06070-0S	0	F11
87508-LCA1-C00	0	F12	92201-08032-0H	0	F04	94021-08000-0S	0	F04
87532-KGAG-C00	0	F12	92201-08032-0H	0	F05	94021-08000-0S	0	F05
87532-KGAG-V000	5	F12				94050-06080	2	F01
87560-LAE9-C00	0	F12	93000			94050-06080	2	F02
87660-LAE9-C00	0	F12				94050-06080	2	F09
			93500-04012-0G	0	F01	94050-06080	2	F11
90000			93500-04050-07	0	F10	94050-08080	4	F08
			93500-04055-07	0	F10	94101-04700	0	F08
90131-LCA1-C00	0	F04	93891-05012-07	1	F07	94101-06800	3	F11
90131-LCA1-C00	0	F05	93891-05040-07	0	F11	94101-08000	0	F04
90301-4C73-C00	0	F11	93901-32120	6	F07	94101-08000	0	F05
90301-6C93-C00	0	F01	93901-32120	6	F10	94101-LBB7-C00	0	F11
90301-6C93-C00	0	F02	93903-14380	0	F02	94102-10700	0	F11
90301-6D34-C00	1	F02	93903-34380	6	F01	94111-04700	0	F08
90302-GFY6-C10	1	F07	93903-34380	6	F07	94111-06700	0	F11
90302-LLB1-C01	1	F01	93903-34380	6	F10	94111-08000	0	F04
90302-SDA4-C00	2	F02	93903-35280	1	F02	94111-08000	0	F05

PART NO. INDEX

PART NO.	VERSION	PAGE	PART NO.	VERSION	PAGE	PART NO.	VERSION	PAGE
94111-12800	0	F11						
94591-KFBF-C00	1	F10						
94591-LDC8-E10	1	F01						
95000								
95701-06012-08	3	F11						
95701-06016-07	3	F11						
95701-06040-07	0	F11						
95801-08030-06	0	F03						
95801-08035-08	0	F11						
95801-08070-07	0	F03						
95801-10080-07	0	F11						
96000								
96211-05000	26	F03						
96700-04012-07	0	F08						
96700-LDE5-C00	0	F01						