

PARTS CATALOGUE



MOBILITY SCOOTER

EQ30BA(UK)

Midi L For U



Release Date : 2016/10/18
Print Date : 2019/11/01

ABOUT THIS PARTS LIST

- This parts list is compiled all service parts for model EQ30BA(UK).
- Any difference between color chart and motorcycle will be revised according to motorcycle.
- The Mark:
 1. Marking "***" must add color code in the end before ordering parts.
 2. Marking "#" are parts with modification, Please find the details from e-Parts system.
- When modification or additions to this parts list are made a revised edition at an appropriate time.



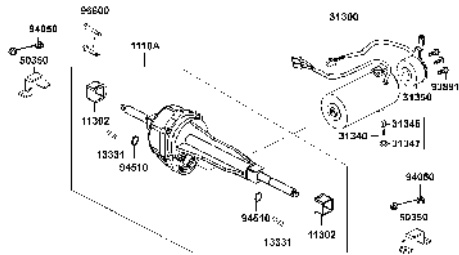
CONTENTS

● ABOUT THIS PARTS LIST	1
● COLOR CHART OF EQ30BA(UK)	3
● CONTENTS-ENGINE GROUP	5
● CONTENTS-FRAME GROUP	6
● ENGINE PARTS LIST	8
● FRAME PARTS LIST	10
● PART NO. INDEX	46

NO	MODEL			COLOR CHART OF EQ30BA(UK)			
	PHOTO NO			NO. 1	NO. 2	NO. 3	
	BASIC COLOR			Deep Blue Metallic	Burgundy	Dark Red	
	CODE			Deep Blue Metallic	Burgundy	Dark Red	
	PARTS NAME	PARTS NO.	VERSION	PB183MA	RR132MA	RR132MA	
1	COVER HANDLE FR	53205-LAC5-900	5	BHP	R7P		
2	COVER HANDLE RR	53206-LAC5-900	4				
3	METER COVER	53207-LAC5-900	8				
4	FLOOR PANEL	64310-LAC5-900	5				
5	COVER BODY LOW	83600-LAC5-900	7				
6	GRIP L HANDLE	53166-LAC5-911	1	N1R			
7	BOLT HANDLE SET	64302-LAC5-900	5				
8	MOLD A	64311-LAC5-900	3				
9	PLUG FLOOR	64316-LAC5-900	2				
10	MAT FLOOR	64320-LAC5-900	2				
11	COVER FLOOR	64330-LAC5-900	4				
12	BUMPER RR	83751-LAC5-900	1				
13	BAND HARNESS WIRE	90656-KUDU-900	0				
14	COVER BODY UP	83500-LAC5-900	5				N8P
15	SEAT ASSY	77200-LAC5-700	8				T01
16	SEAT ASSY	77200-LAC5-900	6				
17	EMB METER	86444-LAC5-900	9				
18	USE CAUTION	87501-LAC5-900	7				
19	LABEL BATTERY	87508-LAC5-910	2				
20	LABEL BATTERY	87508-LED4-900	0				
21	LABEL BATTERY	87508-LED4-E00	0				
22	CAUTION FEDERAL LAW	87522-LBB7-M32	2				
23	MARK KYMCO	87532-KGAG-V00	6				
24	CAUTION RADIO WAVE	87541-LAC5-M30	5				
25	MAR DRIVE CAUTION	87560-LAC5-900	4				
DATE OF STARTING-SALES				2007-12-20	2008-01-17	2008-01-17	
DATE OF END-SALES					2010-09-16	2010-09-16	

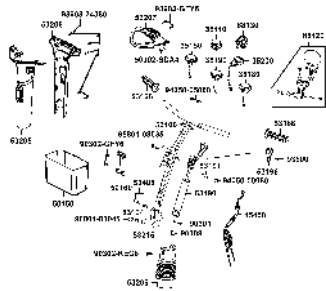
CONTENTS - ENGINE GROUP

E01 Motor

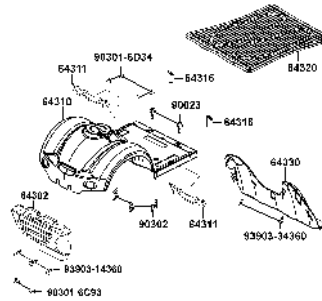


CONTENTS - FRAME GROUP

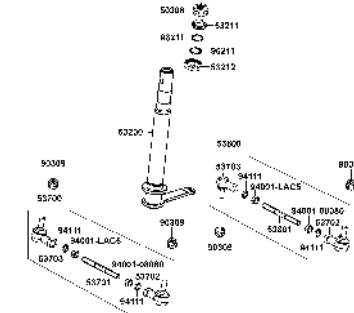
F01 Handle Steering



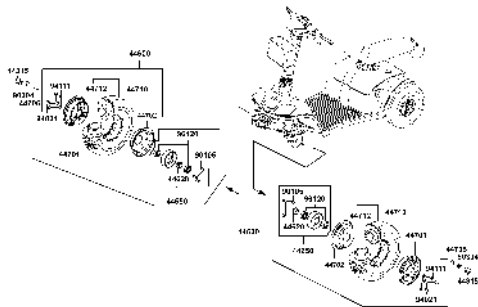
F02 Floor



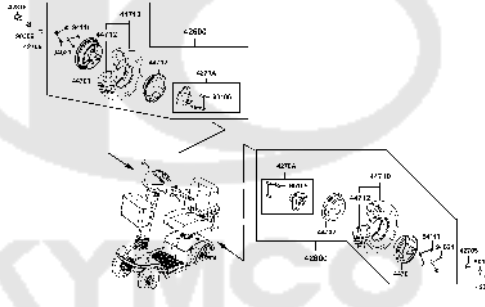
F03 Steering Stem



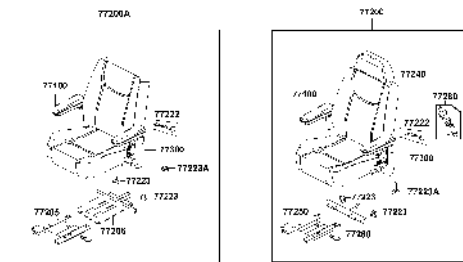
F04 Front Wheel



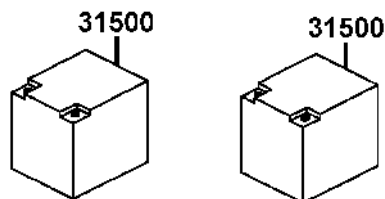
F05 Rear Wheel



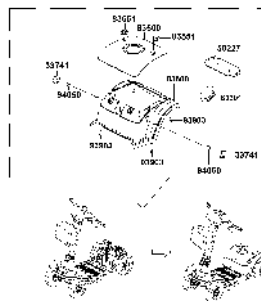
F06 Seat



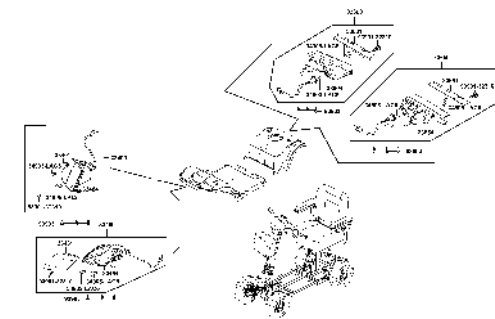
F07 Battery



F08 Body Cover

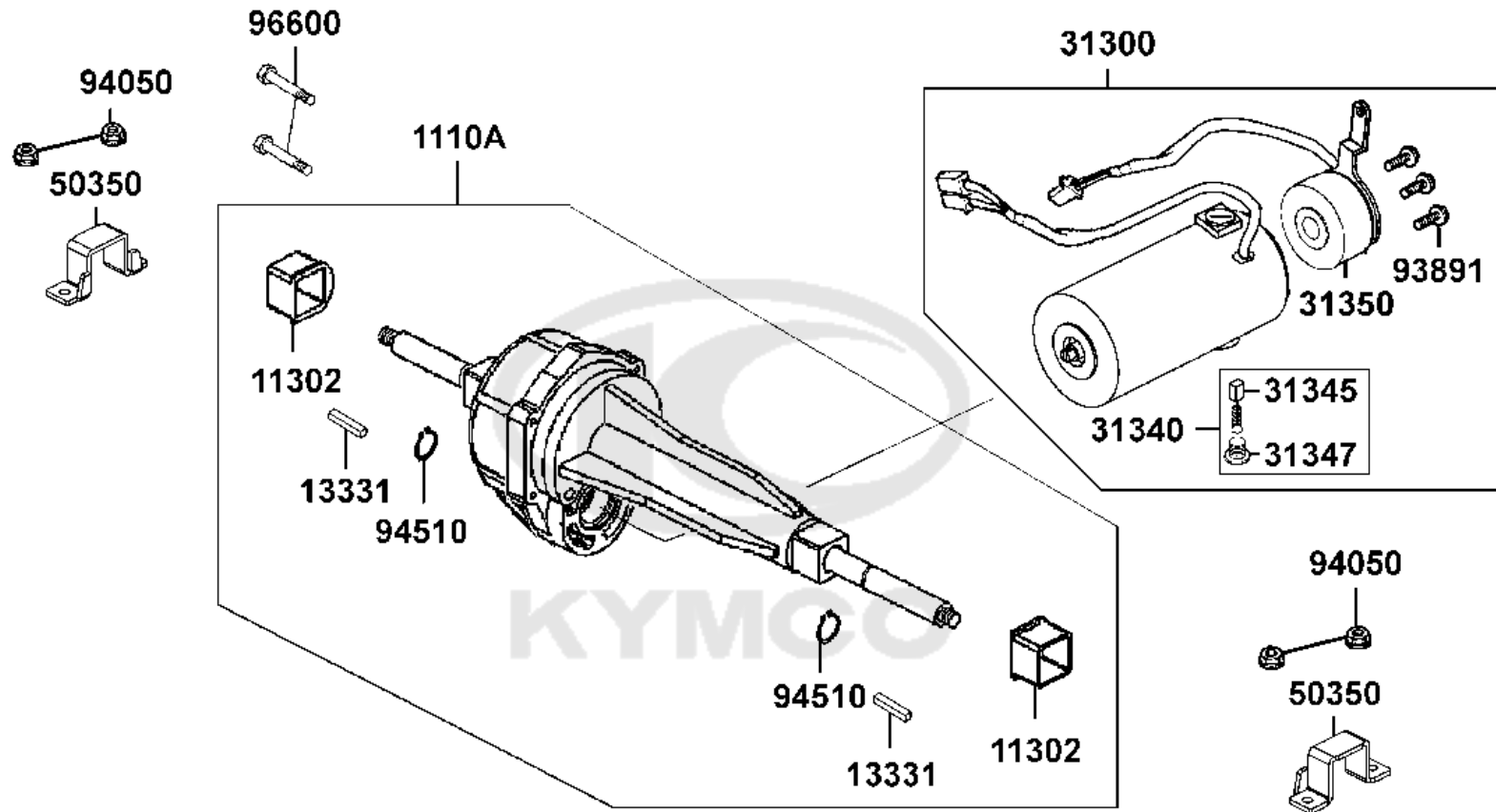


F09 Winker Assy RH

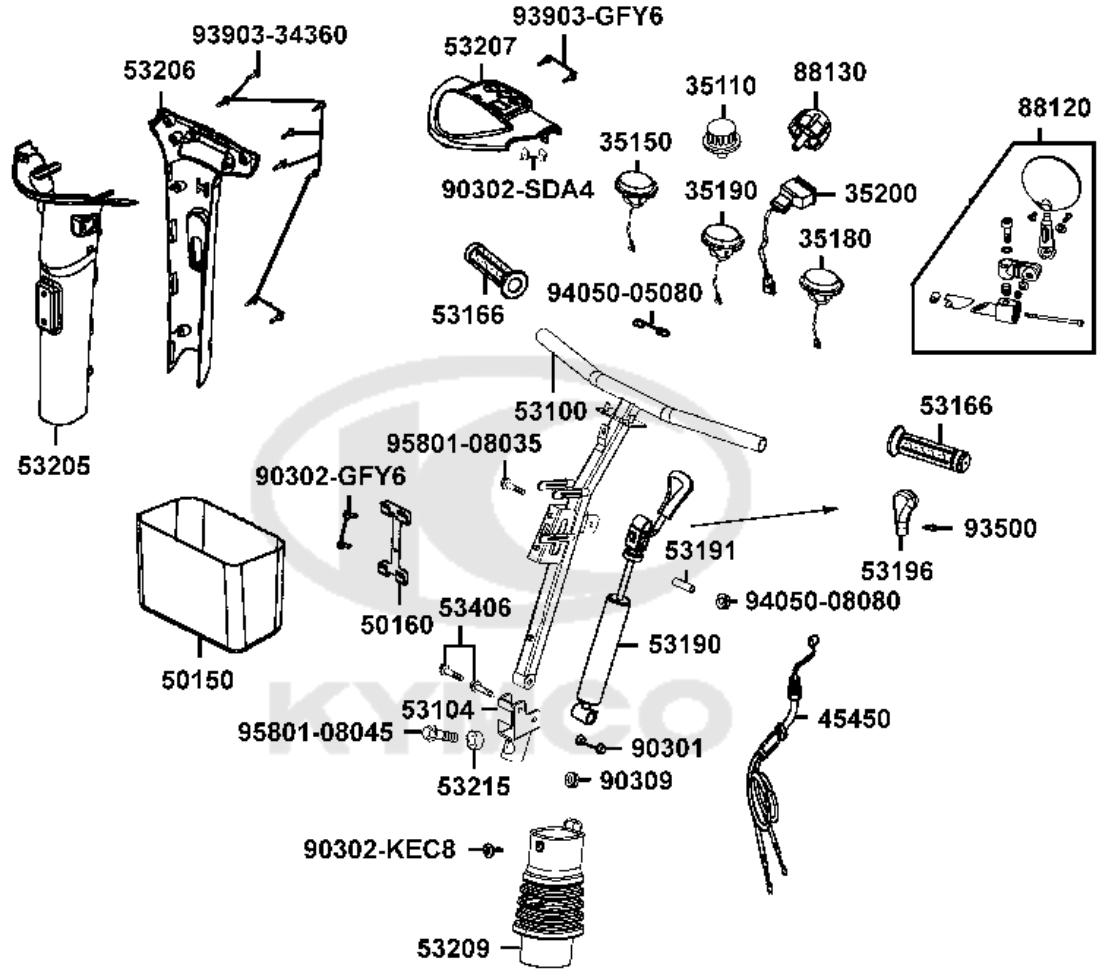


E01

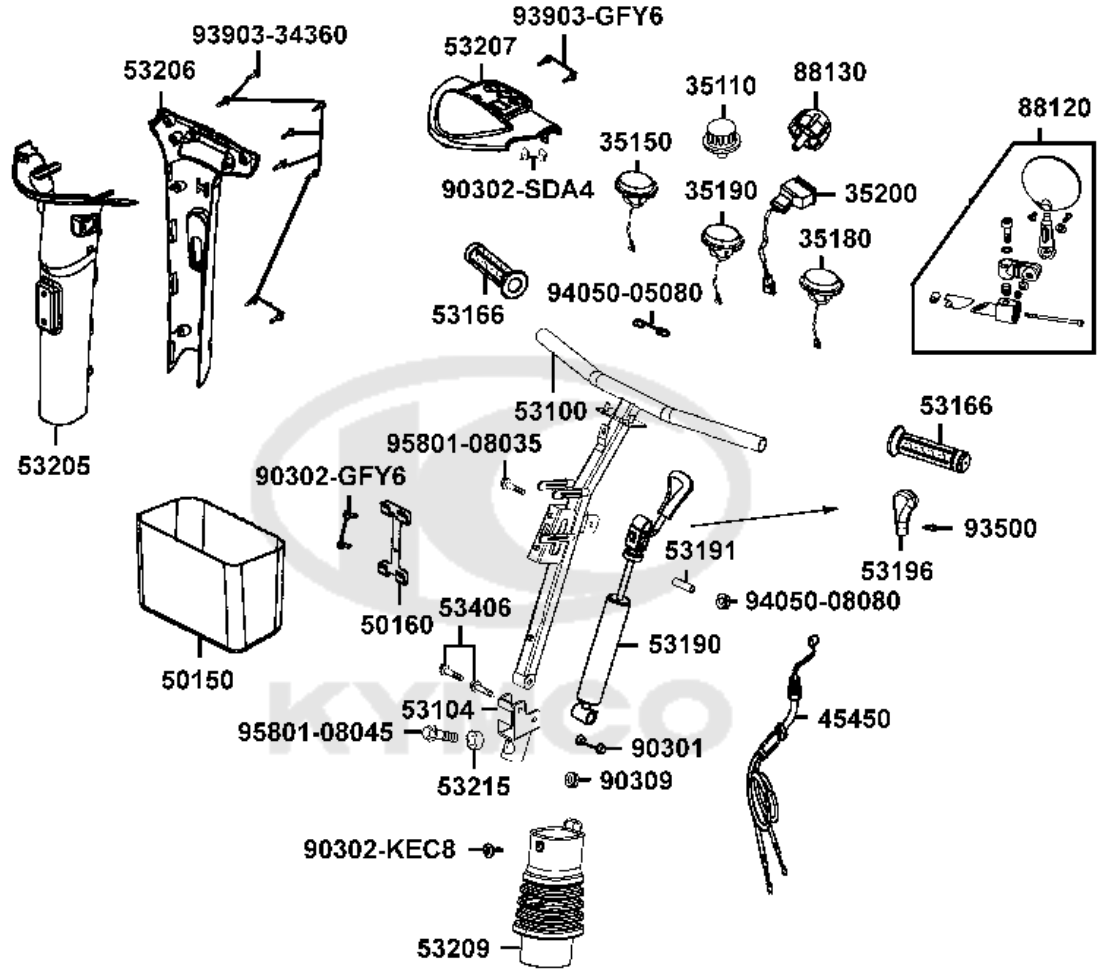
Motor



Sales mark	Ref no	Part no	Description	Reg description	Regd no	Ref Price	E01
	1110A	1110A-LAC5-700	MISSION ASSY **C.2007.07.18	MISSION ASSY **C.2007.07.18	1	175.62	
	11302	11302-LAC5-900	RUBBER	RUBBER	2	6.50	
	13331	13331-LAC5-900	KEY 4.8*4.8*30	KEY 4.8*4.8*30	2	3.25	
	31300	31300-LAC5-720	MOTOR ASSY	MOTOR ASSY	1	160.00	
	31340	31340-LAC5-900	BRUSH ASSY	BRUSH ASSY	2	7.00	
	31345	31345-LAC5-305	MOTOR BRUSH- MIDI XL/ SUPER 4/6/8/	MOTOR BRUSH- MIDI XL/ SUPER 4/6/8/	2	3.25	
	31347	31347-LAC5-305	CAP BRUSH	CAP BRUSH	2	3.25	
	31350	31350-LAC5-900	BRAKE ASSY	BRAKE ASSY	1	52.00	
	50350	50350-LDB4-900	CONNECTOR MISSION	CONNECTOR MISSION	1	5.20	
	93891	93891-04012-06	SCREW WASHER 4*12	SCREW WASHER 4*12	1	0.13	
	94050	94050-08080-G	NUT FLANGE 8MM (C)	NUT FLANGE 8MM (C)	4	0.49	
	94510	94510-19000	CIRCLIP EX 1.9	CIRCLIP EX 1.9	2	2.12	
	96600	96600-06060-08G	SCOKET BOLT 8*18	SCOKET BOLT 8*18	2	3.25	



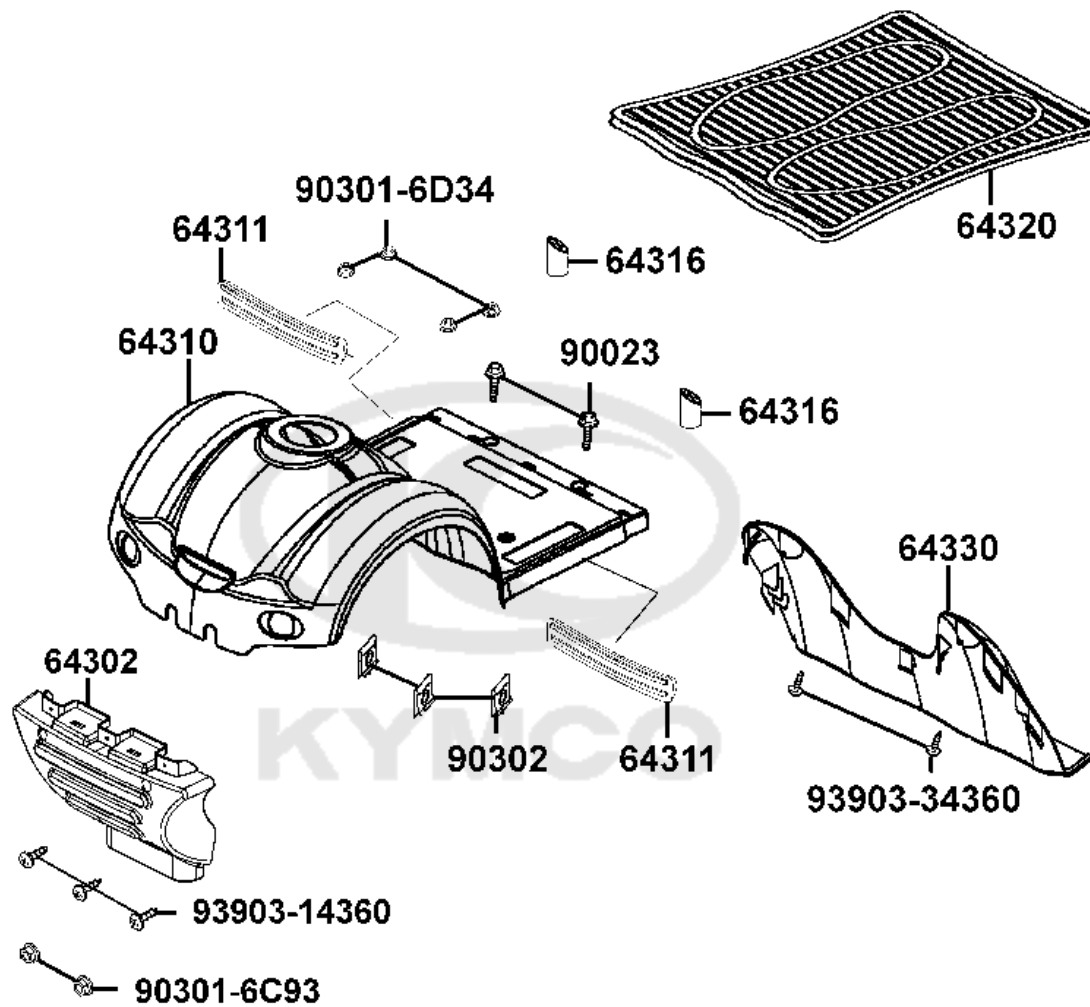
Sales mark	Ref no	Part no	Description	Reg description	Regd no	Ref Price	F01
	35110	35110-LAC5-900	SPEED KNOB ALT 35110-LHD7-900	SPEED KNOB ALT 35110-LHD7-900	1	5.20	
	35150	35150-LAC5-900	SW UNIT LIGHTING ALT 3150-LAC5-	SW UNIT LIGHTING ALT 3150-LAC5-900-R	1	6.50	
	35180	35180-LAC5-900	SW UNIT HORN **(2) C.2007.02.05	SW UNIT HORN **(2) C.2007.02.05	1	6.50	
	35190	35190-LAC5-900	SW UNIT HAZARD	SW UNIT HAZARD	1	6.50	
	35200	35200-LAC5-900	SW UNIT WINKER ALT 35200-LAC5-900	SW UNIT WINKER ALT 35200-LAC5-900-R	1	6.50	
	45450	45450-LAC5-700	BRAKE CABLE- EQ30BA + STRIDER	BRAKE CABLE- EQ30BA + STRIDER MIDI	1	7.22	
	50150	50150-LAC5-900	BASKET ALT 50150-LAC5-910	BASKET ALT 50150-LAC5-910	1	18.20	
	50160	50160-LAC5-900	STAY BASKET SET	STAY BASKET SET	1	5.20	
	53100	53100-LBB6-900	HANDLE COMP STRG	HANDLE COMP STRG	1	22.10	
	53104	53104-LAC5-900	STAY COMP HANDLE	STAY COMP HANDLE	1	29.25	
	53125	53125-LAC5-900	COLLAR HANDLE SET	COLLAR HANDLE SET	1	3.25	
**	53166	53166-LAC5-911	HAND GRIP	HAND GRIP	2	3.25	
	53190	53190-LAC5-90A	ADJUSTER HANDLE/ Gas strut	ADJUSTER HANDLE/ Gas strut	1	29.25	
	53191	53191-LAC5-900	COLLAR ADJUSTER	COLLAR ADJUSTER	1	1.33	
	53196	53196-LAC5-900	BLACK GRIP	BLACK GRIP	1	3.21	
**	53205	53205-LAC5-900	COVER HANDLE FR **(4) C.2005.09.08	COVER HANDLE FR **(4) C.2005.09.08	1	18.20	
**	53206	53206-LAC5-900	COVER HANDLE RR	COVER HANDLE RR	1	22.75	
**	53207	53207-LAC5-900	METER COVER **(5) C.2006.01.18	METER COVER **(5) C.2006.01.18	1	10.40	
	53209	53209-LAC5-900	COVER DUST	COVER DUST	1	11.70	
	53406	53406-LAC5-900	BOLT HANDLE SET	BOLT HANDLE SET	1	3.25	



Sales mark	Ref no	Part no	Description	Reg description	Regd no	Ref Price	F01
	88120	88120-LAC5-910	MIRROR ASSY BACK	MIRROR ASSY BACK	1	16.25	
	88130	88130-LAC5-900	CAP HANDLE PIPE	CAP HANDLE PIPE	1	5.00	
	90301	90301-4C73-004	NUT U 6MM **473-0040 C.2005.03.01	NUT U 6MM **473-0040 C.2005.03.01	2	0.25	
	90302-GFY6	90302-GFY6-911	BOLT-WASH 5*12	BOLT-WASH 5*12	2	3.25	
	90302-KEC8	90302-KEC8-910	BOLT PAN 5*9	BOLT PAN 5*9	2	3.25	
	90302-SDA4	90302-LAC5-004	NUT SPRING 4MM	NUT SPRING 4MM	5	3.25	
	90309	90309-GLW0-90A	NUT U FLANGE 8MM **(0) C.2009.03.05	NUT U FLANGE 8MM **(0) C.2009.03.05	1	0.85	
	93500	93500-04010-0F	SCREW PAN 4X10(G)	SCREW PAN 4X10(G)	1	0.64	
	93903-34360	93903-34380-G	SCREW TAPPING 4x12	SCREW TAPPING 4x12	1	3.25	
	93903-GFY6	93903-GFY6-910	BOLT-WASH 5*12	BOLT-WASH 5*12	2	3.25	
	94050-05080	94050-05080-G	NUT FLANGE 5MM(Cr3+) ALT 94050-	NUT FLANGE 5MM(Cr3+) ALT 94050-05080	2		
	94050-08080	94050-08080-G	NUT FLANGE 8MM (C)	NUT FLANGE 8MM (C)	3	0.49	
	95801-08035	95801-08035-06	BOLT FLANGE 8*35 **LLJ1-900	BOLT FLANGE 8*35 **LLJ1-900	1	0.36	
	95801-08045	95801-08045-08G	BOLT FLANGE 8*45	BOLT FLANGE 8*45	1	0.49	

F02

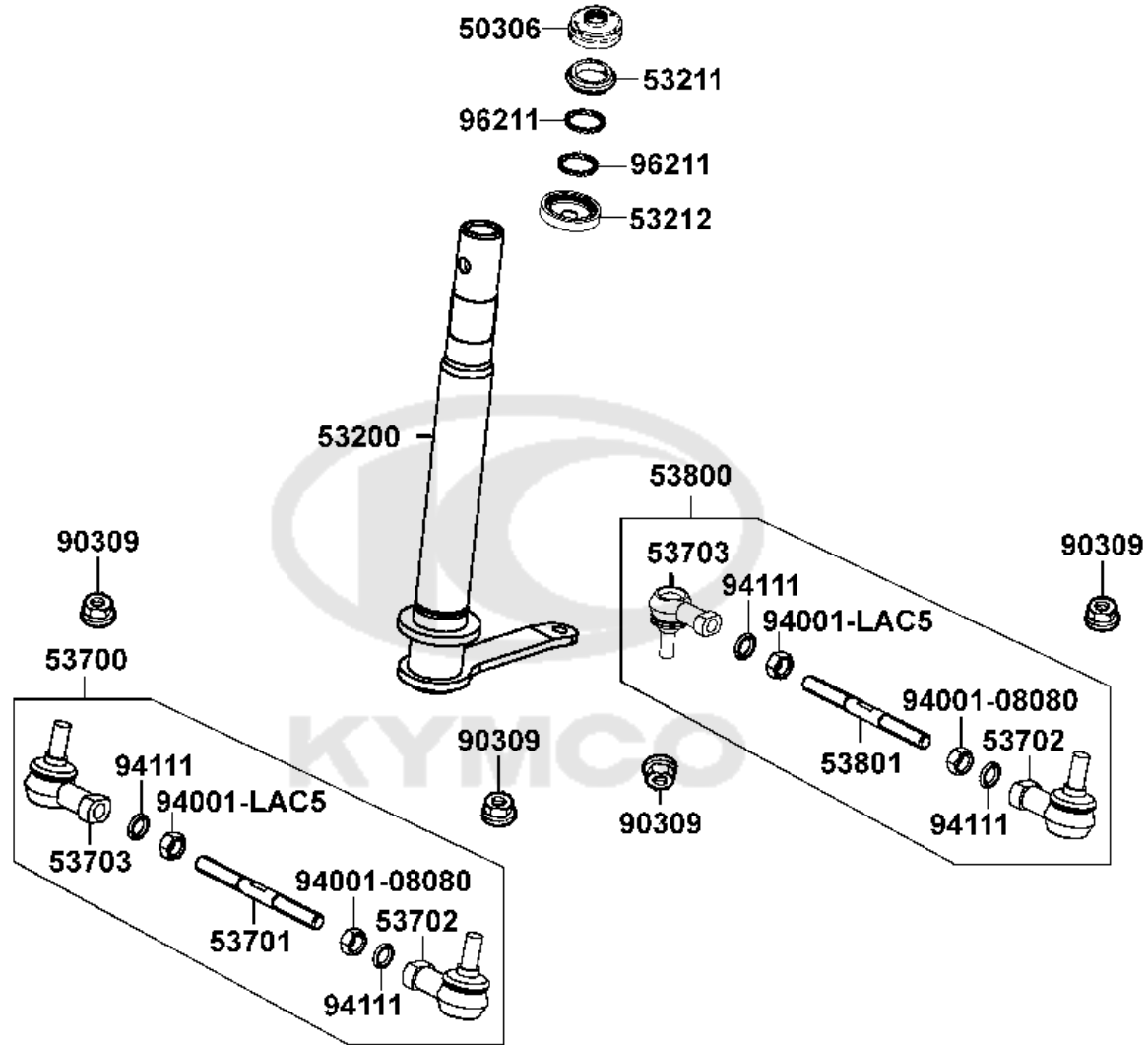
Floor



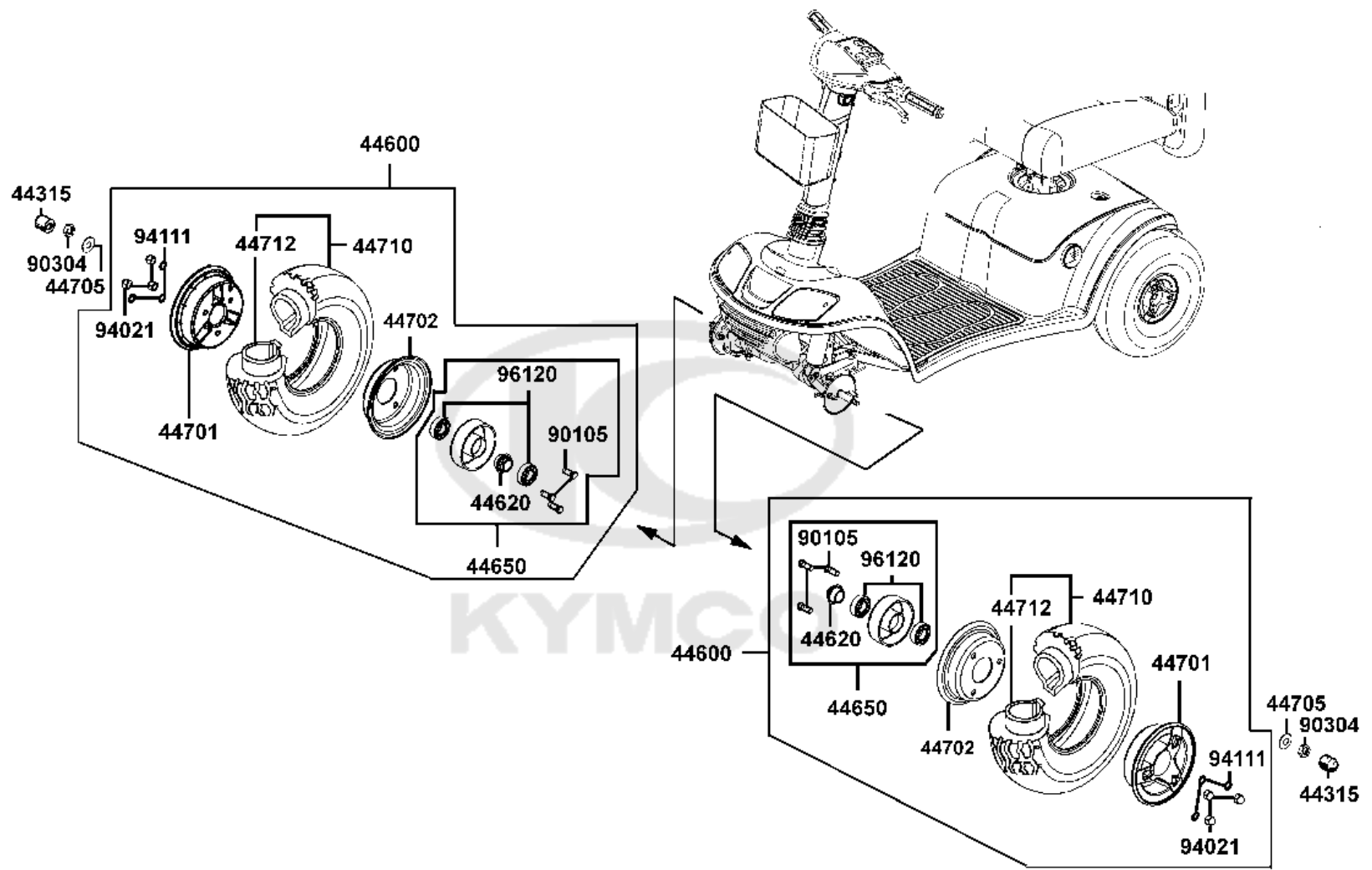
Sales mark	Ref no	Part no	Description	Reg description	Regd no	Ref Price	F02
**	64302	64302-LAC5-900	FRONT PLASTIC BUMPER- SUPER	FRONT PLASTIC BUMPER- SUPER 4/6/8/	1	8.45	
**	64310	64310-LAC5-900	FR FLOOR PANEL- MIDI RANGE-	FR FLOOR PANEL- MIDI RANGE-	1	81.25	
**	64311	64311-LAC5-900	MOLD A	MOLD A	2	3.25	
**	64316	64316-LAC5-900	PLUG FLOOR	PLUG FLOOR	2	3.25	
**	64320	64320-LAC5-900	FLOOR MAT- MIDI RANGE- BLACK	FLOOR MAT- MIDI RANGE- BLACK MAT	1	11.05	
**	64330	64330-LAC5-900	COVER FLOOR	COVER FLOOR	1	9.75	
	90023	90023-LAC5-001	BOLT SEAT LOCK 6X13.5	BOLT SEAT LOCK 6X13.5	2	3.25	
	90301-6C93	90301-LAC5-001	NUT 6MM OPENSTAY	NUT 6MM OPENSTAY	3	3.25	
	90301-6D34	90301-LAC5-671	NUT FLANGE 6MM	NUT FLANGE 6MM	6	3.25	
	90302	90302-LAC5-004	NUT SPRING 4MM	NUT SPRING 4MM	5	3.25	
	93903-14360	93903-14380-G	SCREWTAPPING 4x12	SCREWTAPPING 4x12	1	3.25	
	93903-34360	93903-34380-G	SCREW TAPPING 4x12	SCREW TAPPING 4x12	1	3.25	

F03

Steering Stem



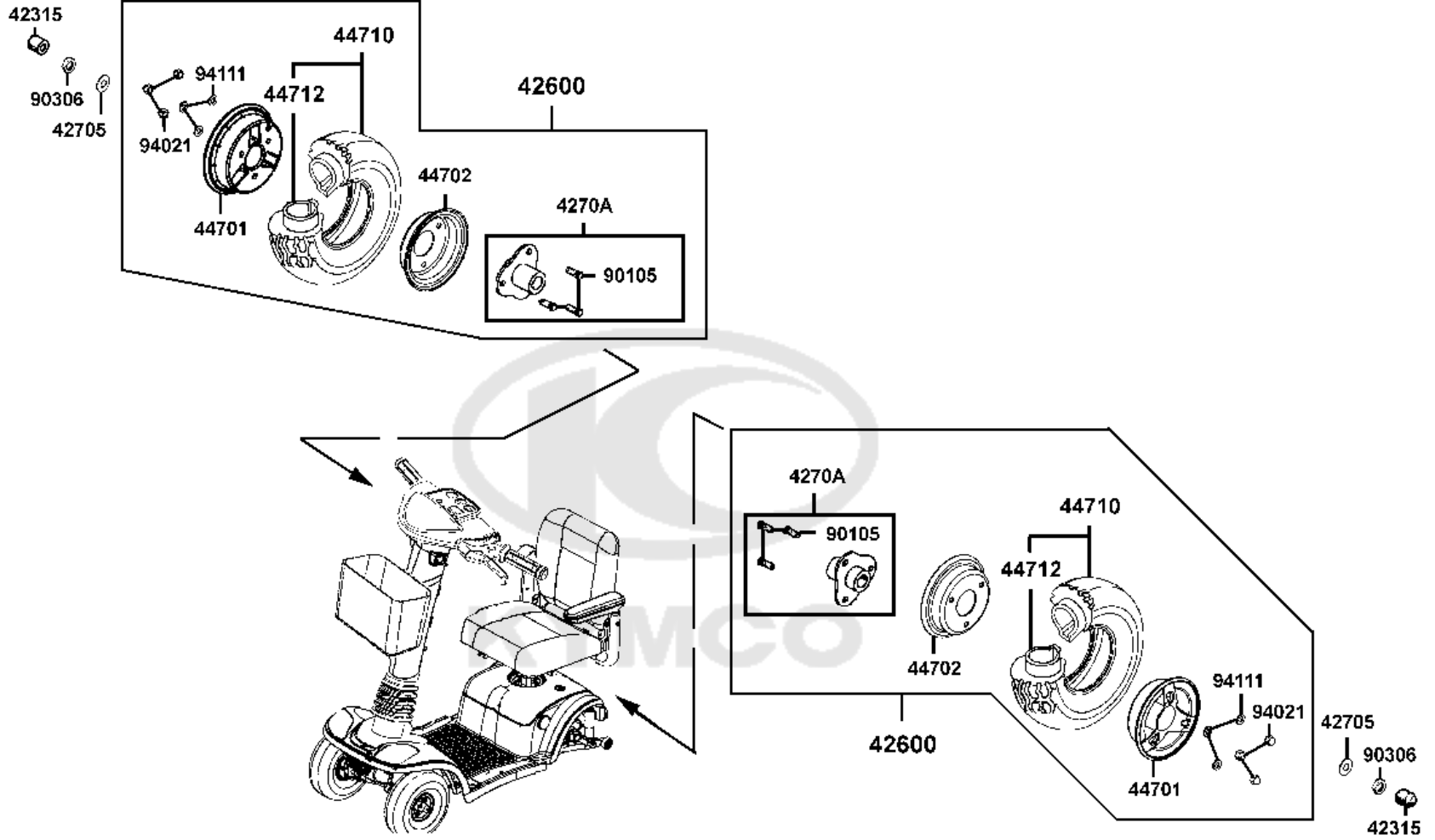
Sales mark	Ref no	Part no	Description	Reg description	Regd no	Ref Price	F03
	50306	50306-1F96-001	NUT STRG STEM LOCK	NUT STRG STEM LOCK	1	1.18	
	53200	53200-LAC5-700	STEM COMP STRG **(4) C.V.	STEM COMP STRG **(4) C.V.	1	19.50	
	53211	53211-GFY6-940	RACE STRG TOP CONE **GY6-9400	RACE STRG TOP CONE **GY6-9400	1	1.87	
	53212	53212-LDB4-004	ORDER 53212-GHC8-004	ORDER 53212-GHC8-004	1	3.25	
	53700	53700-LAC5-700	ROAD ASSY STEERING alt 53700-LAC5	ROAD ASSY STEERING alt 53700-LAC5-	1	13.00	
	53701	53701-LAC5-700	ROD COMP SWING	ROD COMP SWING	1	16.25	
	53702	53702-LAC5-900	BALL JOINT R	BALL JOINT R	2	6.50	
	53703	53703-LAC5-900	JOINT L BALL	JOINT L BALL	2	16.25	
	53800	53800-LAC5-700	ROD ASSY STEERING	ROD ASSY STEERING	1	13.00	
	53801	53801-LAC5-700	ROD COMP STEERING	ROD COMP STEERING	1	11.70	
	90309	90309-GLW0-90A	NUT U FLANGE 8MM **(0) C.2009.03.05	NUT U FLANGE 8MM **(0) C.2009.03.05	4	0.85	
	94001-08080	94001-08080-0S	NUT HEX 8MM	NUT HEX 8MM	2	0.49	
	94001-LAC5	94001-LAC5-900	NUT HEX 8MM L	NUT HEX 8MM L	2	0.55	
	94111	94111-08800	WASHER SPRING 8MM	WASHER SPRING 8MM	4	0.33	
	96211	96211-05000	BALL BEARING PACK OF 100	BALL BEARING PACK OF 100	55	3.25	



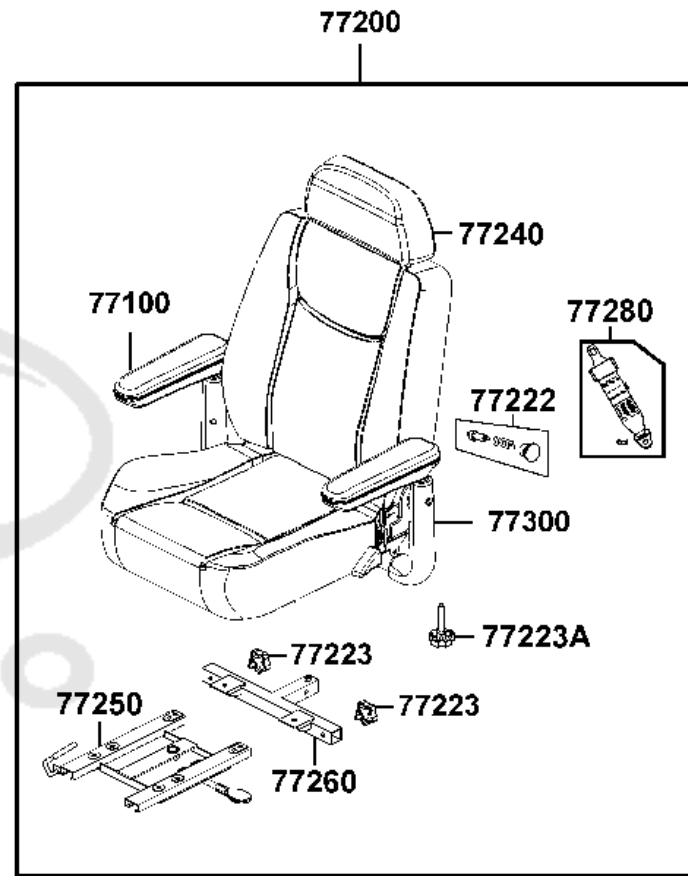
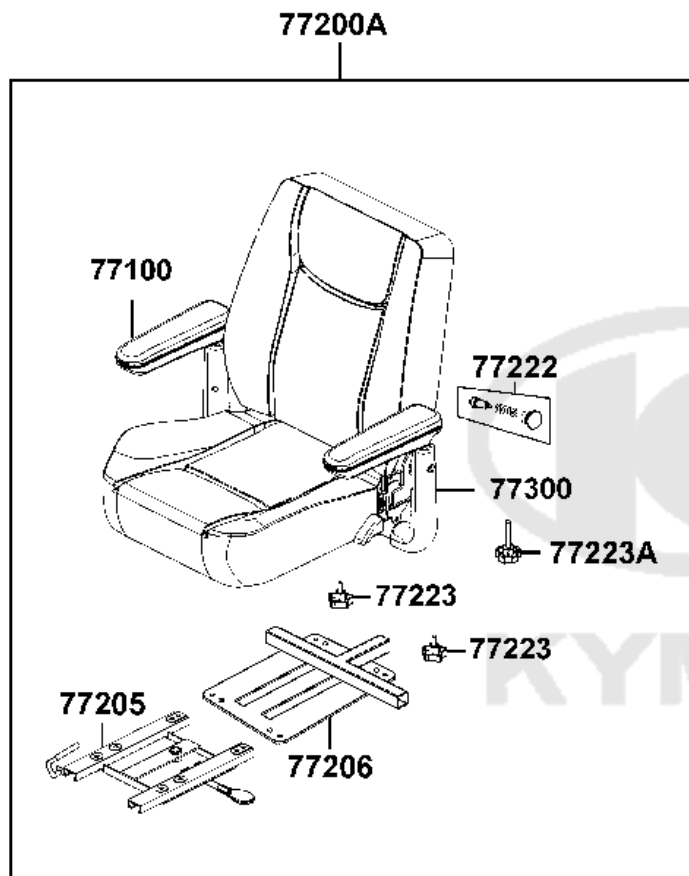
Sales mark	Ref no	Part no	Description	Reg description	Regd no	Ref Price	F04
	44315	44315-LAC5-900	CAP FR AXLE **(0) C.2003.10.22	CAP FR AXLE **(0) C.2003.10.22	2	3.25	
	44600	44600-LDB4-700	WHEEL ASSY FR	WHEEL ASSY FR	2	70.00	
	44620	44620-LAC5-900	DIST COLLAR	DIST COLLAR	2	3.25	
	44650	44650-LAC5-710	CONNECTOR ASSY FR	CONNECTOR ASSY FR	2	29.25	
	44701	44701-LAC5-900	RIM CAST FR	RIM CAST FR	2	13.00	
	44702	44702-LAC5-900	RIM COMP FR	RIM COMP FR	2	12.35	
	44705	44705-LAC5-900	WASHER 12MM	WASHER 12MM	2	3.25	
	44710	44710-LAC5-90B	TIRE ASSY RR /MIDI GREY	TIRE ASSY RR /MIDI GREY PNEUMATIC	2	22.00	
	44712	44712-LAC5-900	TUBE TIRE **(0) C.2005.09.08	TUBE TIRE **(0) C.2005.09.08	2	7.22	
	90105	90105-LAC5-900	BOLT M8*20 **(0) C.2005.09.08	BOLT M8*20 **(0) C.2005.09.08	6	3.25	
	90304	90304-GHE8-004	NUT U 10MM **GE8-0040 C.2005.03.01	NUT U 10MM **GE8-0040 C.2005.03.01	2	0.68	
	94021	94021-08020-0S	NUT HEX CAP 8MM	NUT HEX CAP 8MM	6	3.25	
	94111	94111-08800	WASHER SPRING 8MM	WASHER SPRING 8MM	6	0.33	
	96120	96120-62020-00	BRG RADIAL BALL 6202	BRG RADIAL BALL 6202	4	3.73	

F05

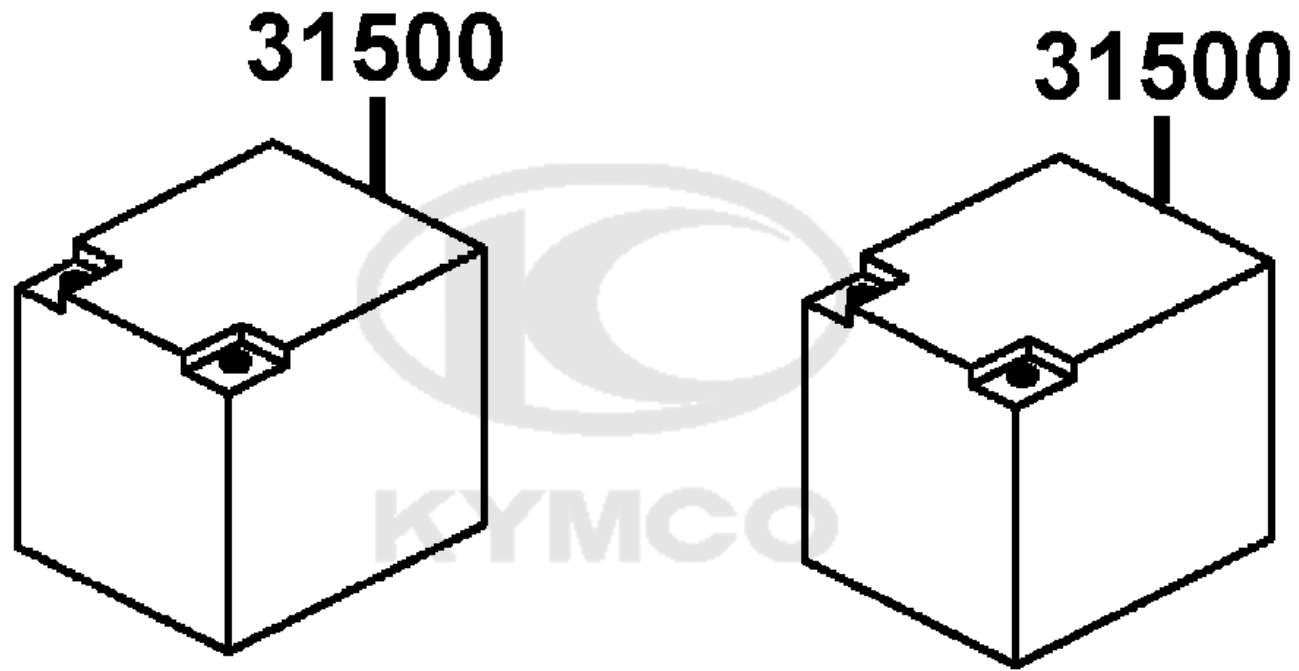
Rear Wheel



Sales mark	Ref no	Part no	Description	Reg description	Regd no	Ref Price	F05
	42315	42315-LAC5-900	CAP RR AXLE **(0) C.2003.10.22	CAP RR AXLE **(0) C.2003.10.22	2	3.25	
	42600	42600-LAC5-E00	WHEEL ASSY REAR	WHEEL ASSY REAR	1	38.00	
	42705	42705-LAC5-900	WASHER 12MM RR WHEEL	WASHER 12MM RR WHEEL	2	3.25	
	4270A	4270A-LAC5-900	CONNECTOR ASSY RR	CONNECTOR ASSY RR	2	13.00	
	44701	44701-LAC5-900	RIM CAST FR	RIM CAST FR	2	13.00	
	44702	44702-LAC5-900	RIM COMP FR	RIM COMP FR	2	12.35	
	44710	44710-LAC5-90B	TIRE ASSY RR /MIDI GREY	TIRE ASSY RR /MIDI GREY PNEUMATIC	2	22.00	
	44712	44712-LAC5-900	TUBE TIRE **(0) C.2005.09.08	TUBE TIRE **(0) C.2005.09.08	2	7.22	
	90105	90105-LAC5-900	BOLT M8*20 **(0) C.2005.09.08	BOLT M8*20 **(0) C.2005.09.08	6	3.25	
	90306	90306-GLW0-90A	NUT FLANGE 12MM **(0) C.2009.03.05	NUT FLANGE 12MM **(0) C.2009.03.05	1	0.85	
	94021	94021-08020-0S	NUT HEX CAP 8MM	NUT HEX CAP 8MM	6	3.25	
	94111	94111-08800	WASHER SPRING 8MM	WASHER SPRING 8MM	6	0.33	



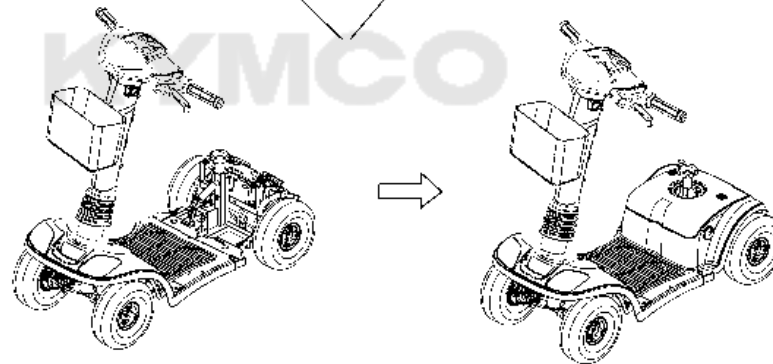
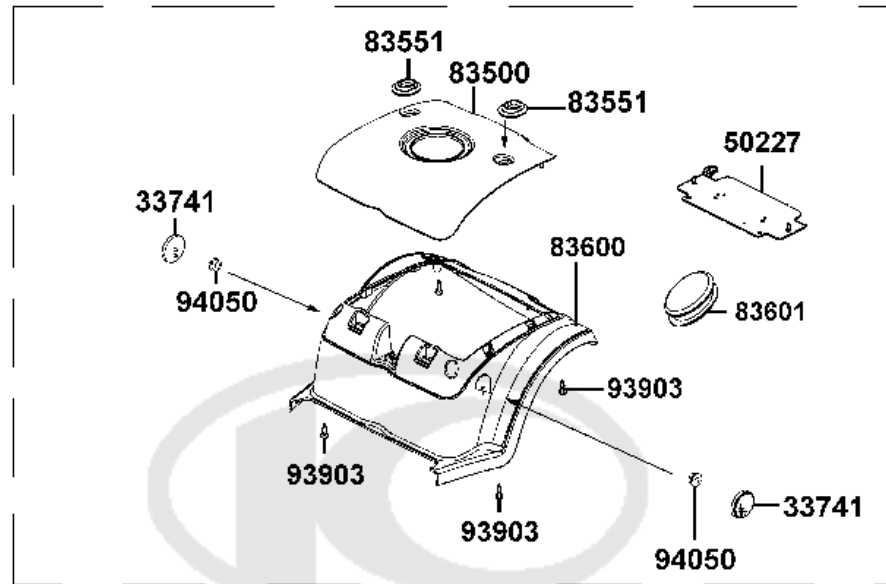
Sales mark	Ref no	Part no	Description	Reg description	Regd no	Ref Price	F06
	77100	77100-LAC5-900	R/H USE 77100-LDB4-700	R/H USE 77100-LDB4-700	1	31.20	
**	77200	77200-LAC5-700	SEAT ASSY	SEAT ASSY	1	206.81	
**	77200A	77200-LAC5-900	SEAT ASSY	SEAT ASSY	1	164.81	
	77205	77205-LAC5-900	BASE ASSY SEAT	BASE ASSY SEAT	1	53.80	
	77206	77206-LAC5-900	STAY ASSY RR SEAT	STAY ASSY RR SEAT	1		
	77222	77222-LAC5-700	DRAW BAR	DRAW BAR	1	8.45	
	77223	77223-LAC5-305	BOLT LOCK ARM REST	BOLT LOCK ARM REST	2	3.25	
	77223A	77223-LDB4-305	BOLT LOCK ARM REST	BOLT LOCK ARM REST	1	1.19	
	77240	77240-LAC5-700	HEAD REST	HEAD REST	1	19.50	
	77250	77250-LAC5-700	BASE ASSY SEAT	BASE ASSY SEAT	1	55.25	
	77260	77260-LAC5-700	STAY ASSY RR SEAT	STAY ASSY RR SEAT	1	13.00	
	77280	77280-LAC5-700	SEAT BELT	SEAT BELT	1	22.80	
	77300	77300-LAC5-900	L/H USE 77300-LDB4-700	L/H USE 77300-LDB4-700	1	31.20	



Sales mark	Ref no	Part no	Description	Reg description	Regd no	Ref Price	F07
------------	--------	---------	-------------	-----------------	---------	-----------	------------

31500	31500-LAC5-900	31500-LAC5-900	ORDER 31500-BAT36	ORDER 31500-BAT36	2	66.00	
-------	----------------	----------------	-------------------	-------------------	---	-------	--



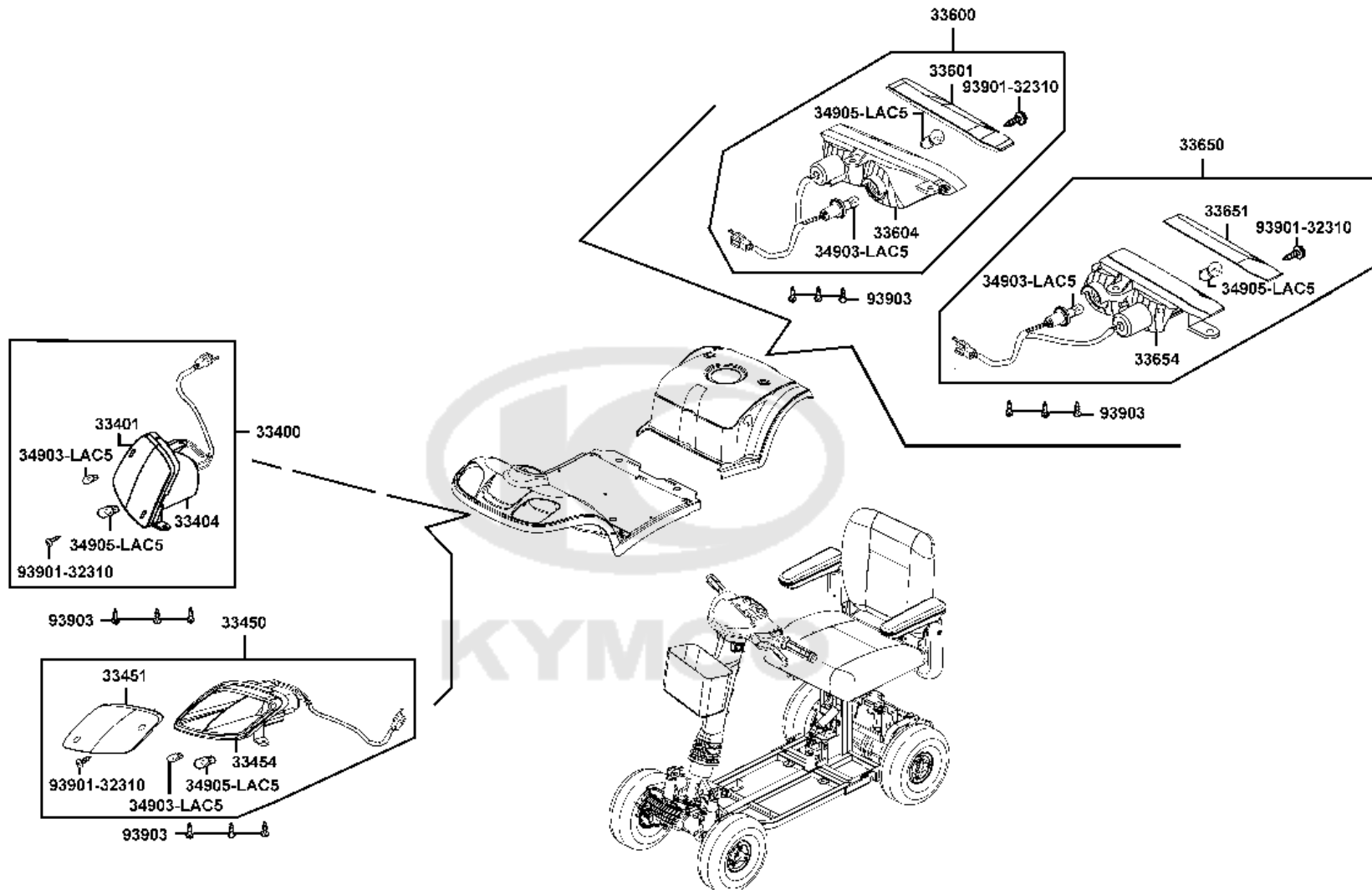


Sales mark	Ref no	Part no	Description	Reg description	Regd no	Ref Price	F08
	33741	33741-GFY6-C30	REFLEX REFLECTOR ORANGE	REFLEX REFLECTOR ORANGE	2	2.08	
	50227	50227-LDB4-900	STAY ECU	STAY ECU	1	9.10	
**	83500	83500-LAC5-900	REAR BATTERY COVER- MIDI RANGE-	REAR BATTERY COVER- MIDI RANGE-	1	22.75	
	83551	83551-KKAK-900	GROMMET AIR/C CASE **KAK-9000	GROMMET AIR/C CASE **KAK-9000	1	0.64	
**	83600	83600-LAC5-900	REAR BODY PANEL- MIDI RANGE-	REAR BODY PANEL- MIDI RANGE-	1	65.00	
	83601	83601-LAC5-720	"RUBBER,BODY COVER."	"RUBBER,BODY COVER."	1	3.25	
	93903	93903-34380-G	SCREW TAPPING 4x12	SCREW TAPPING 4x12	1	3.25	
	94050	94050-06080-G	NUT FLANGE 6MM	NUT FLANGE 6MM	2	0.49	



F09

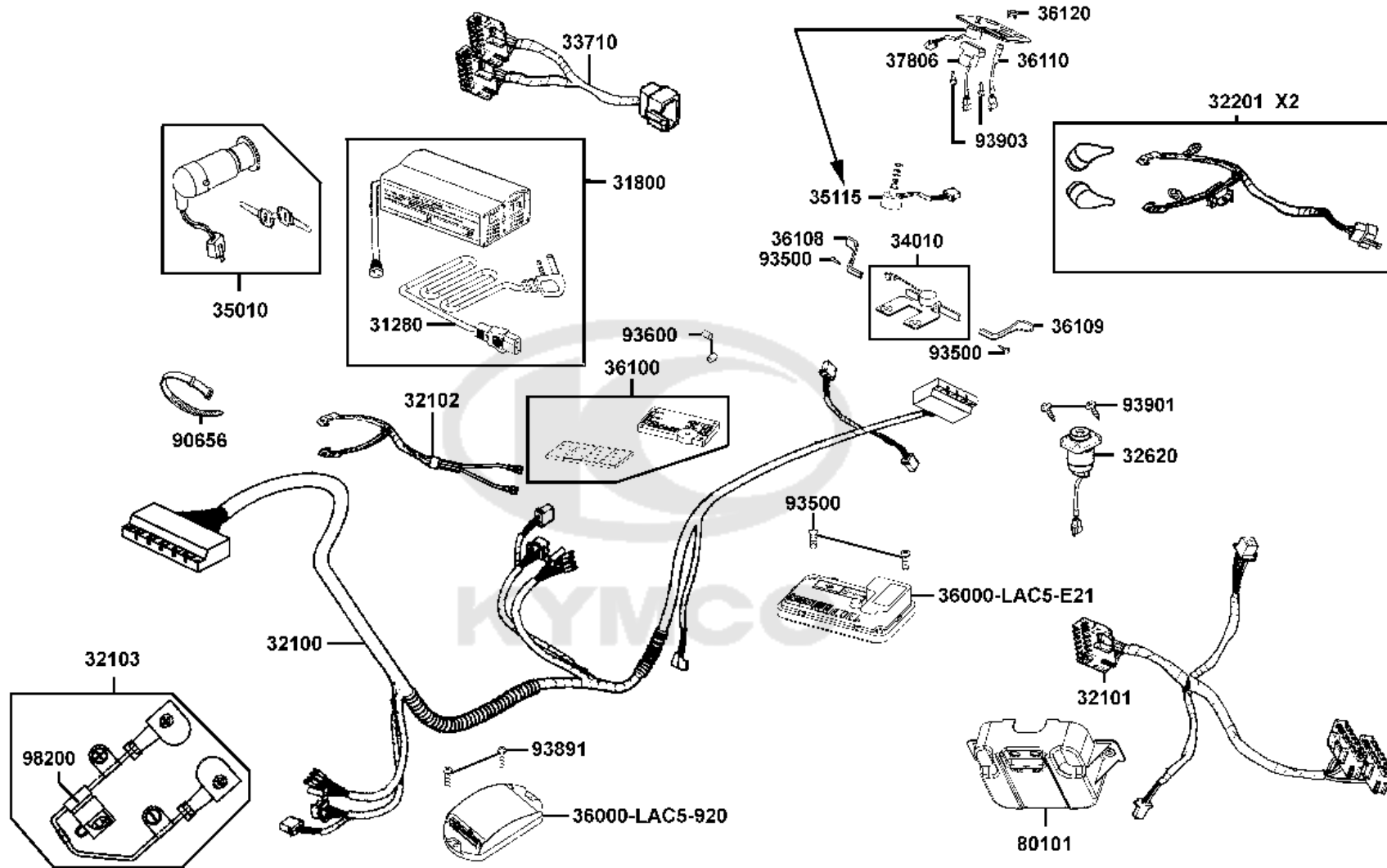
Winker Assy RH



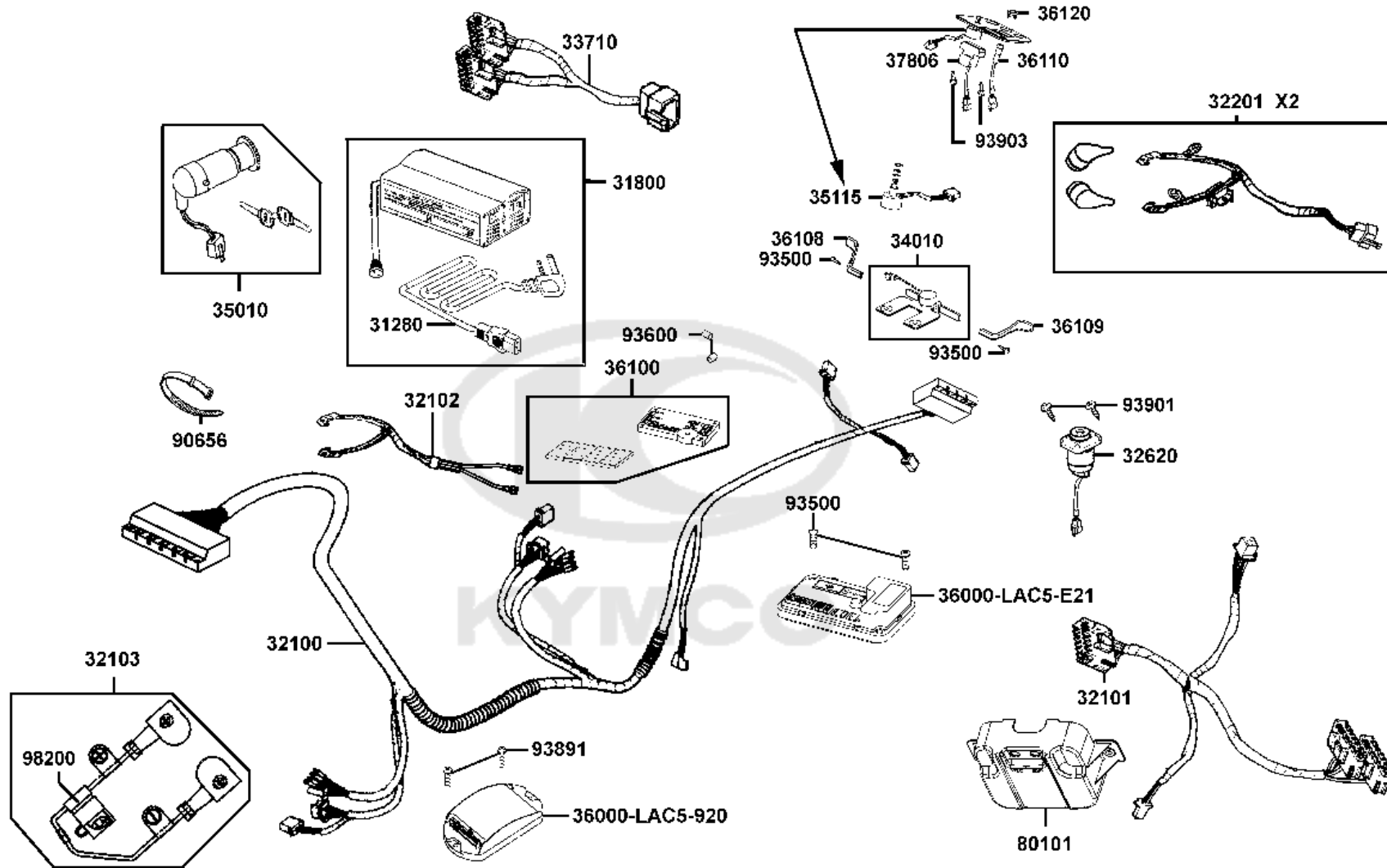
Sales mark	Ref no	Part no	Description	Reg description	Regd no	Ref Price	F09
	33400	33400-LAC5-900	WINKER ASSY RH FR	WINKER ASSY RH FR	1	16.25	
	33401	33401-LAC5-900	LENS COMP R FR WINKER	LENS COMP R FR WINKER	1	6.50	
	33404	33404-LAC5-900	BASE COMP R FR WINKER	BASE COMP R FR WINKER	1	26.00	
	33450	33450-LAC5-900	WINKER ASSY LH FR	WINKER ASSY LH FR	1	16.25	
	33451	33451-LAC5-900	LENS L FR WINKER CLEAR/ORANGE	LENS L FR WINKER CLEAR/ORANGE	1	6.50	
	33454	33454-LAC5-900	BASE COMP L FR WINKER	BASE COMP L FR WINKER	1	9.75	
	33600	33600-LAC5-900	WINKER ASSY RH RR	WINKER ASSY RH RR	1	16.25	
	33601	33601-LAC5-900	LENS COMP R RR WINKER	LENS COMP R RR WINKER	1	6.50	
	33604	33604-LAC5-900	BASE COMP R RR WINKER	BASE COMP R RR WINKER	1	9.75	
	33650	33650-LAC5-900	WINKER ASSY LH RR	WINKER ASSY LH RR	1	16.25	
	33651	33651-LAC5-900	LENS COMP L RR WINKER	LENS COMP L RR WINKER	1	6.50	
	33654	33654-LAC5-900	BASE COMP L RR WINKER	BASE COMP L RR WINKER	1	6.50	
	34903	34903-LAC5-900	BULB POSITION	BULB POSITION	4	3.25	
	34905	34905-LAC5-900	BULB WINKER 24V 10W	BULB WINKER 24V 10W	4	3.25	
	93901	93901-32310	SCREW TAPPING 3*12	SCREW TAPPING 3*12	4	3.25	
	93903	93903-34380-G	SCREW TAPPING 4x12	SCREW TAPPING 4x12	1	3.25	

F10

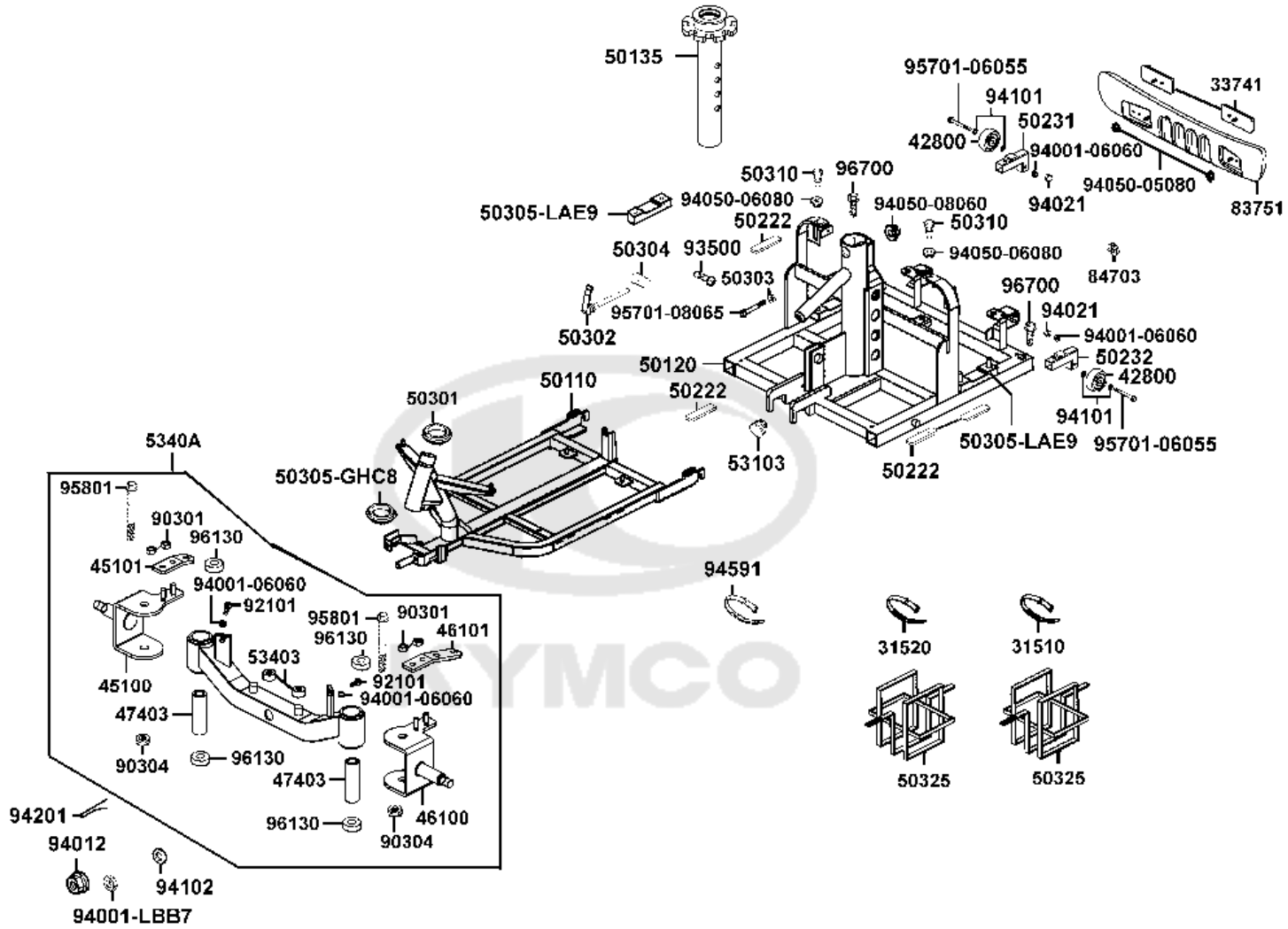
Harness Wire



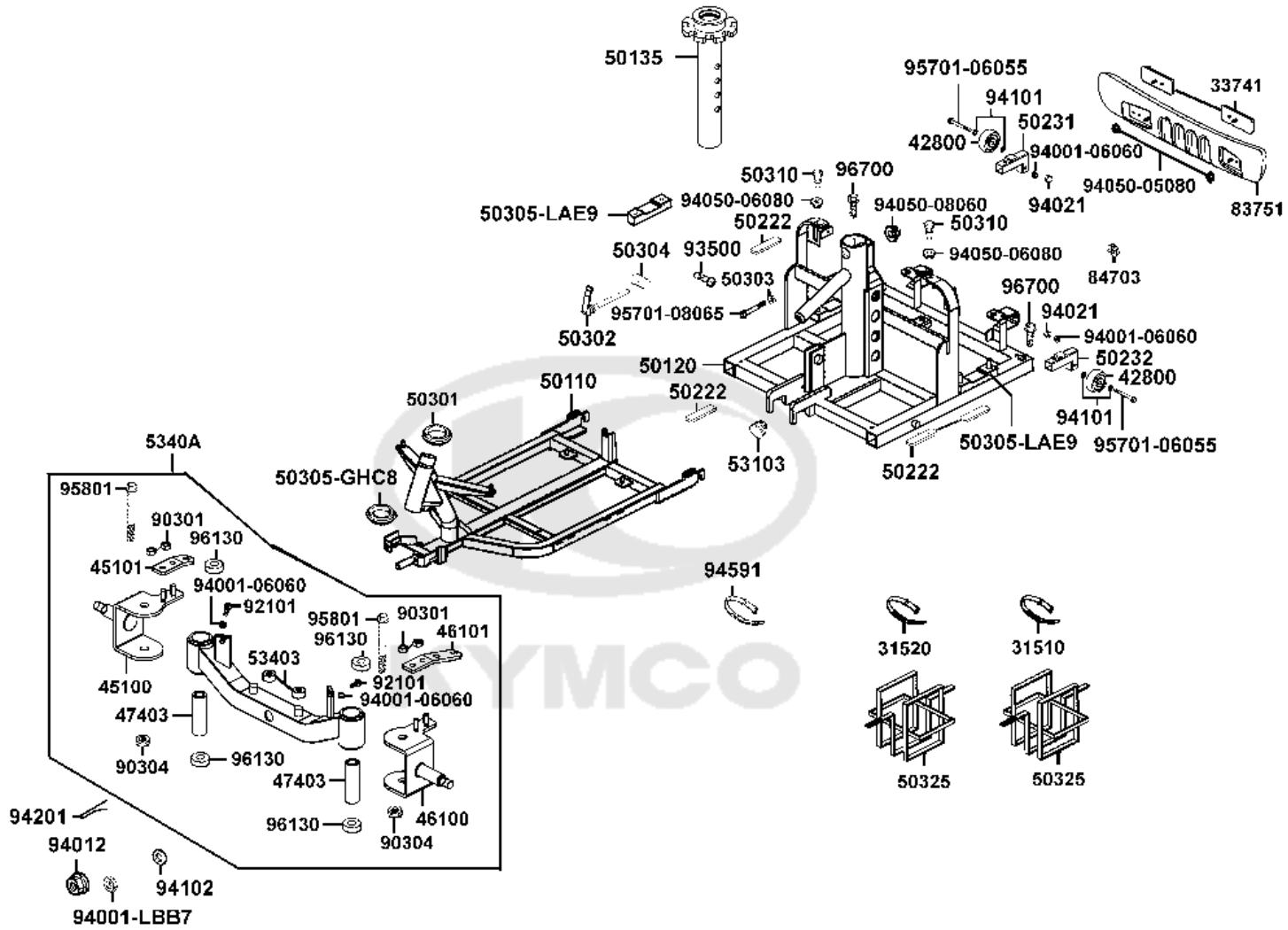
Sales mark	Ref no	Part no	Description	Reg description	Regd no	Ref Price	F10
	31280	31280-LAC5-E20	CORD AC POWER	CORD AC POWER	1	6.50	
	31800	31800-LAC5-E21	BATTERY CHARGER ASSY	BATTERY CHARGER ASSY	1	70.00	
	32100	32100-LAC5-710	HARNESS WIRE MAIN LOOM	HARNESS WIRE MAIN LOOM	1	26.00	
	32100	32100-LAC5-720	HARNESS WIRE MAIN LOOM	HARNESS WIRE MAIN LOOM	1	26.00	
	32101	32101-LAC5-700	SUB HARNESS A	SUB HARNESS A	1	29.25	
	32101	32101-LAC5-720	SUB HARNESS A	SUB HARNESS A	1	29.25	
	32101	32101-LDB4-E73	SUB HARNESS A	SUB HARNESS A	1	19.50	
	32102	32102-LAC5-720	CORD SET POWER	CORD SET POWER	4	13.00	
	32103	32103-LAC5-720	CORD & FUSE BATTERY	CORD & FUSE BATTERY	1	5.20	
	32201	32201-LAC5-900	CONNECT CORD BATTERY	CONNECT CORD BATTERY	1	24.70	
	32620	32620-LAC5-900	SOCKET CHARGER	SOCKET CHARGER	1	8.45	
	33710	33710-LAC5-900	REAR LIGHT LOOM	REAR LIGHT LOOM	1	3.25	
	34010	34010-LAC5-900	THROTTLE	THROTTLE	1	39.00	
	35010	35010-LAC5-E00	KEY SET	KEY SET	1	16.25	
	35115	35115-LAC5-900	SPEED POT 20K?	SPEED POT 20K?	1	11.70	
	36000-LAC5-920	36000-LAC5-920	ELEC CONTROLLER UNIT	ELEC CONTROLLER UNIT	1	200.00	
	36000-LAC5-E21	36000-LED4-E22	ELEC CONTROLLER UNIT	ELEC CONTROLLER UNIT	1	200.00	
	36100	36100-AAH6-E20	CONTROL METER	CONTROL METER	1	42.50	
	36108	36108-LBE1-900	LEVER RH SPEED THROTTLE	LEVER RH SPEED THROTTLE	1	6.50	
	36109	36109-LBE1-900	LEVER LH SPEED THROTTLE	LEVER LH SPEED THROTTLE	1	6.50	



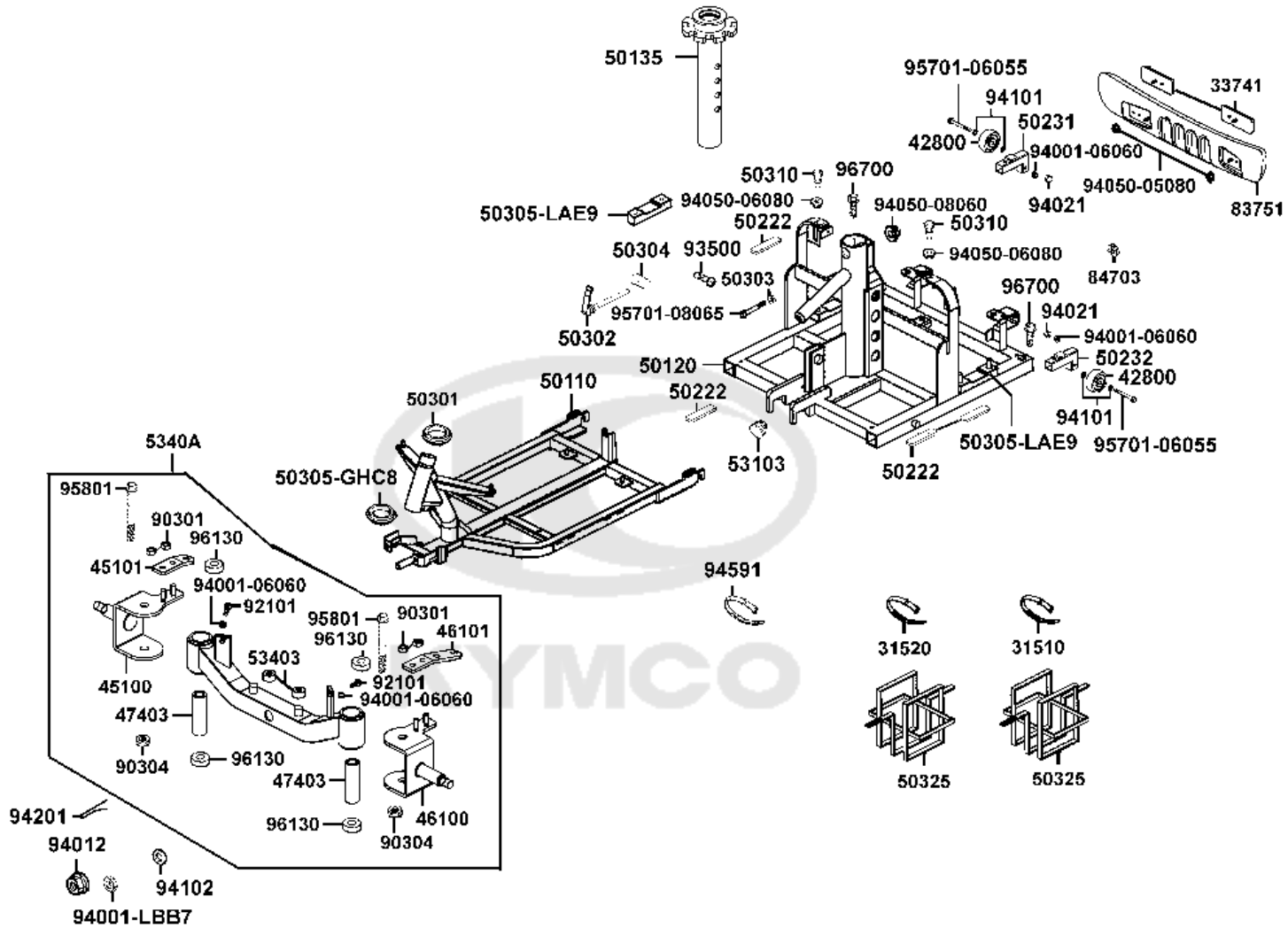
Sales mark	Ref no	Part no	Description	Reg description	Regd no	Ref Price	F10
	36110	36110-LAC5-900	LED	LED	1	3.25	
	36120	36120-LAC5-900	LED HOUSE	LED HOUSE	1	3.25	
	37806	37806-LAC5-900	VU METER **(0) C.2005.09.08	VU METER **(0) C.2005.09.08	1	9.10	
	80101	80101-LDB4-900	COVER ELEC CONTROL UNIT	COVER ELEC CONTROL UNIT	1	11.70	
**	90656	90656-KUDU-900	BAND HARNESS WIRE **KUDU-900	BAND HARNESS WIRE **KUDU-900	1	0.85	
	93500	93500-04030-0HG	SCREW PAN 4*30	SCREW PAN 4*30	1	3.25	
	93600	93600-02008-0A	SCREW FLAT 2.5*8	SCREW FLAT 2.5*8	2	3.25	
	93891	93891-05025-06	SCREW WASHER 5*25 **07	SCREW WASHER 5*25 **07 C.2006.01.04	2	0.26	
	93901	93901-32120	SCREW TAPPING 3*8 *(1) C.V.	SCREW TAPPING 3*8 *(1) C.V.	4	0.26	
	93903	93903-25460	SCREW TAPPING 5*20 **93903-25480	SCREW TAPPING 5*20 **93903-25480	2	0.25	
	98200	98200-34000	BLADE FUSE 40A	BLADE FUSE 40A	1	1.27	



Sales mark	Ref no	Part no	Description	Reg description	Regd no	Ref Price	F11
	31510	31510-LAC5-900	BAND BATTERY	BAND BATTERY	1	3.25	
	31520	31520-LAC5-900	BAND B BATTERY	BAND B BATTERY	1	3.25	
	33741	33741-KEBE-900	REFLEX REFLECTOR **KBE-9000	REFLEX REFLECTOR **KBE-9000	2	2.83	
	42800	42800-LAC5-900	ANTI-TIP WHEEL	ANTI-TIP WHEEL	2	3.25	
	45100	45100-LAC5-710	PANEL COMP FR RH	PANEL COMP FR RH	1	7.80	
	45101	45101-LAC5-700	BAR RH STRG	BAR RH STRG	1	3.25	
	46100	46100-LAC5-710	PANEL COMP FR LH	PANEL COMP FR LH	1	7.80	
	46101	46101-LAC5-700	BAR LH STRG	BAR LH STRG	1	9.75	
	47403	47403-LBB7-E00	COLLAR STRG SHAFT	COLLAR STRG SHAFT	2	3.25	
	50110	50110-LAC5-700	BODY COMP FRONT FRAME	BODY COMP FRONT FRAME	1	52.00	
	50120	50120-LAC5-800	CODY COMP REAR FRAME	CODY COMP REAR FRAME	1	53.80	
	50135	50135-LAC5-900	PIPE B SEAT SET **(8) C.2005.09.08	PIPE B SEAT SET **(8) C.2005.09.08	1	18.20	
	50222	50222-LAC5-900	RUBBER BATTERY SET	RUBBER BATTERY SET	4	3.25	
	50231	50231-LAC5-700	BRKT R REAR WHEEL	BRKT R REAR WHEEL	1	5.20	
	50232	50232-LAC5-700	BRKT L REAR WHEEL	BRKT L REAR WHEEL	1	5.20	
	50301	50301-LDB4-001	RACE UP STRG BALL	RACE UP STRG BALL	1	3.25	
	50302	50302-LDB4-900	SHAFT SET LOCK	SHAFT SET LOCK	1	3.25	
	50303	50303-LAC5-900	COLLAR SEAT SET PIPE	COLLAR SEAT SET PIPE	1	3.25	
	50304	50304-LDB4-900	COLLAR FRAME LOCK	COLLAR FRAME LOCK	1	3.25	
	50305-LAE9	50305-LAE9-E00	RUBBER MOTOR	RUBBER MOTOR	2	4.55	



Sales mark	Ref no	Part no	Description	Reg description	Regd no	Ref Price	F11
	50305-GHC8	50305-LDB4-004	RACE UNDER STRG BALL	RACE UNDER STRG BALL	1	3.25	
	50310	50310-LAC5-900	BOLT LOCK PIN	BOLT LOCK PIN	2	3.25	
	50325	50325-LAC5-900	BAG BATTERY	BAG BATTERY	1	9.75	
	53103	53103-LAC5-900	END STOP	END STOP	1	3.25	
	53403	53403-LBB7-E00	RUBBER SWING ARM	RUBBER SWING ARM	2	3.25	
	5340A	5340A-LAC5-710	ARM ASSY/P117	ARM ASSY/P117	1	51.17	
**	83751	83751-LAC5-900	BUMPER RR	BUMPER RR	1	19.50	
	84703	84703-LLB1-900	RUBBER TAIL LIGHT **(0) C.2005.05.17	RUBBER TAIL LIGHT **(0) C.2005.05.17	1	0.36	
	90301	90301-KKAK-900	NUT U 6MM (Cr)	NUT U 6MM (Cr)	4	0.89	
	90304	90304-GHE8-004	NUT U 10MM **GE8-0040 C.2005.03.01	NUT U 10MM **GE8-0040 C.2005.03.01	2	0.68	
	92101	92101-06020-0G	BOLT HEX 6X20	BOLT HEX 6X20	2	0.23	
	93500	93500-04012-0HG	SCREW PAN 4*12	SCREW PAN 4*12	1	3.25	
	94001-06060	94001-06080-0SG	NUT HEX 6MM	NUT HEX 6MM	1	3.25	
	94001-LBB7	94001-LBB7-E00	NUT HEX SPECIAL 12MM	NUT HEX SPECIAL 12MM	1	3.25	
	94012	94012-12080-0S	NUT CASTLE 12MM	NUT CASTLE 12MM	1	1.76	
	94021	94021-06070-0S	NUT HEX CAP 6MM	NUT HEX CAP 6MM	2	3.25	
	94050-05080	94050-05080-G	NUT FLANGE 5MM(Cr3+) ALT 94050-	NUT FLANGE 5MM(Cr3+) ALT 94050-05080	2		
	94050-06080	94050-06080-G	NUT FLANGE 6MM	NUT FLANGE 6MM	2	0.49	
	94050-08060	94050-08060	NUT FLANGE 8MM	NUT FLANGE 8MM	1	0.49	
	94101	94101-06800-G	WASHER PLAN 6MM	WASHER PLAN 6MM	4	0.12	



Sales mark	Ref no	Part no	Description	Reg description	Regd no	Ref Price	F11
94102	94102-12800	94102-12800	WASHER PLAIN 12MM	WASHER PLAIN 12MM	1	0.47	
94201	94201-30250	94201-30250	PIN SPLIT 3.0*25	PIN SPLIT 3.0*25	1	0.20	
94591	94591-27000	94591-27000	CLIP 2*70	CLIP 2*70	1	0.41	
95701-06055	95701-06055-08G	95701-06055-08G	BOLT FLANGE 68*55	BOLT FLANGE 68*55	2	0.49	
95701-08065	95701-08065-06	95701-08065-06	BOLT FLANGE 8*65	BOLT FLANGE 8*65	1	3.25	
95801	95801-10080-06	95801-10080-06	BOLT FLANGE 10X80	BOLT FLANGE 10X80	2	3.25	
96130	96130-60000-00	96130-60000-00	BEARING 6000Z	BEARING 6000Z	4	3.25	
96700	96700-LCA1-E00	96700-LCA1-E00	SOCKET BOLT 8*30	SOCKET BOLT 8*30	1	3.25	

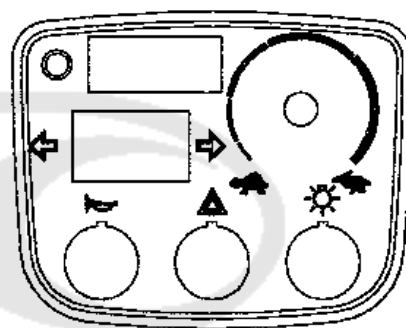


Sales mark	Ref no	Part no	Description	Reg description	Regd no	Ref Price	F12
**	87501	87501-LAC5-900	USE CAUTION SILVER	USE CAUTION SILVER	1	3.25	
**	87508-LAC5	87508-LAC5-910	LABEL BATTERY	LABEL BATTERY	1	3.25	
**	87508-LED4-900	87508-LED4-900	LABEL BATTERY	LABEL BATTERY	1	3.25	
**	87508-LED4-E00	87508-LED4-E00	LABEL BATTERY	LABEL BATTERY	1	3.25	
**	87541	87541-LAC5-M30	CAUTION RADIO WAVE	CAUTION RADIO WAVE	1	3.25	
**	87560	87560-LAC5-900	MARK DRIVE CAUTION	MARK DRIVE CAUTION	1	3.25	





87532



86444



86211

Sales mark	Ref no	Part no	Description	Reg description	Regd no	Ref Price	F13
------------	--------	---------	-------------	-----------------	---------	-----------	------------

**	86211	86211-LDB4-900	STRIPE B BODY COVER	STRIPE B BODY COVER	1	13.00	
**	86444	86444-LAC5-900	EMB METER	EMB METER	1	6.50	
**	87532	87532-KGAG-V00	MARK KYMCO	MARK KYMCO	1	1.00	



35111



Sales mark	Ref no	Part no	Description	Reg description	Regd no	Ref Price	F14
------------	--------	---------	-------------	-----------------	---------	-----------	------------

35111	35111-KNBN-920	KEY COMP	KEY COMP	KEY COMP	1	5.85	
-------	----------------	----------	----------	----------	---	------	--



PART NO. INDEX

PART NO.	VERSION	PAGE	PART NO.	VERSION	PAGE	PART NO.	VERSION	PAGE
11000			32100-LAC5-720	7	F10	34000		
			32101-LAC5-700	1	F10			
			32101-LAC5-720	1	F10			
1110A-LAC5-700	5	E01	32101-LDB4-E73	1	F10	34010-LAC5-900	7	F10
11302-LAC5-900	0	E01	32102-LAC5-720	4	F10	34903-LAC5-900	1	F09
13000			32103-LAC5-720	1	F10	34905-LAC5-900	1	F09
			32201-LAC5-900	7	F10	35000		
			32620-LAC5-900	5	F10			
13331-LAC5-900	0	E01	33000			35010-LAC5-E00	2	F10
31000						35110-LAC5-900	5	F01
			33400-LAC5-900	6	F09	35111-KNBN-920	0	F14
31280-LAC5-E20	2	F10	33401-LAC5-900	1	F09	35115-LAC5-900	1	F10
31300-LAC5-720	1	E01	33404-LAC5-900	2	F09	35150-LAC5-900	4	F01
31340-LAC5-900	0	E01	33450-LAC5-900	6	F09	35180-LAC5-900	4	F01
31345-LAC5-305	0	E01	33451-LAC5-900	1	F09	35190-LAC5-900	7	F01
31347-LAC5-305	0	E01	33454-LAC5-900	2	F09	35200-LAC5-900	3	F01
31350-LAC5-900	0	E01	33600-LAC5-900	7	F09	36000		
31500-LAC5-900	3	F07	33601-LAC5-900	3	F09			
31510-LAC5-900	4	F11	33604-LAC5-900	2	F09	36000-LAC5-920	2	F10
31520-LAC5-900	3	F11	33650-LAC5-900	7	F09	36000-LED4-E22	7	F10
31800-LAC5-E21	4	F10	33651-LAC5-900	3	F09	36100-AAH6-E20	4	F10
32000			33654-LAC5-900	2	F09	36108-LBE1-900	2	F10
			33710-LAC5-900	3	F10	36109-LBE1-900	2	F10
			33741-GFY6-C30	1	F08	36110-LAC5-900	3	F10
32100-LAC5-710	5	F10	33741-KEBE-900	3	F11			

PART NO. INDEX

PART NO.	VERSION	PAGE	PART NO.	VERSION	PAGE	PART NO.	VERSION	PAGE
36120-LAC5-900	2	F10	44710-LAC5-90B	5	F05	50222-LAC5-900	3	F11
37000			44712-LAC5-900	2	F04	50227-LDB4-900	7	F08
			44712-LAC5-900	2	F05	50231-LAC5-700	4	F11
37806-LAC5-900	4	F10	45000			50232-LAC5-700	4	F11
42000			45100-LAC5-710	4	F11	50301-LDB4-001	1	F11
			45101-LAC5-700	2	F11	50302-LDB4-900	2	F11
42315-LAC5-900	3	F05	45450-LAC5-700	1	F01	50303-LAC5-900	4	F11
42600-LAC5-E00	8	F05	46000			50304-LDB4-900	2	F11
42705-LAC5-900	5	F05				50305-LAE9-E00	3	F11
4270A-LAC5-900	6	F05				50305-LDB4-004	1	F11
42800-LAC5-900	6	F11	46100-LAC5-710	4	F11	50306-1F96-001	0	F03
44000			46101-LAC5-700	2	F11	50310-LAC5-900	4	F11
			47000			50325-LAC5-900	1	F11
44315-LAC5-900	3	F04				50350-LDB4-900	2	E01
44600-LDB4-700	4	F04	47403-LBB7-E00	5	F11	53000		
44620-LAC5-900	5	F04				53100-LBB6-900	4	F01
44650-LAC5-710	3	F04	50000			53103-LAC5-900	2	F11
44701-LAC5-900	5	F04				53104-LAC5-900	9	F01
44701-LAC5-900	5	F05	50110-LAC5-700	8	F11	53125-LAC5-900	6	F01
44702-LAC5-900	4	F04	50120-LAC5-800	1	F11	53166-LAC5-911	1	F01
44702-LAC5-900	4	F05	50135-LAC5-900	9	F11	53190-LAC5-90A	9	F01
44705-LAC5-900	7	F04	50150-LAC5-900	4	F01	53191-LAC5-900	2	F01
44710-LAC5-90B	5	F04	50160-LAC5-900	7	F01	53196-LAC5-900	4	F01
						53200-LAC5-700	5	F03

PART NO. INDEX

PART NO.	VERSION	PAGE	PART NO.	VERSION	PAGE	PART NO.	VERSION	PAGE
53205-LAC5-900	5	F01				83601-LAC5-720	1	F08
53206-LAC5-900	4	F01	77000			83751-LAC5-900	1	F11
53207-LAC5-900	8	F01						
53209-LAC5-900	8	F01	77100-LAC5-900	3	F06	84000		
53211-GFY6-940	1	F03	77200-LAC5-700	8	F06			
53212-LDB4-004	1	F03	77200-LAC5-900	6	F06	84703-LLB1-900	1	F11
53403-LBB7-E00	1	F11	77205-LAC5-900	5	F06			
53406-LAC5-900	2	F01	77206-LAC5-900	3	F06	86000		
5340A-LAC5-710	6	F11	77222-LAC5-700	0	F06			
53700-LAC5-700	4	F03	77223-LAC5-305	2	F06	86211-LDB4-900	5	F13
53701-LAC5-700	4	F03	77223-LDB4-305	1	F06	86444-LAC5-900	9	F13
53702-LAC5-900	6	F03	77240-LAC5-700	0	F06			
53703-LAC5-900	6	F03	77250-LAC5-700	0	F06	87000		
53800-LAC5-700	4	F03	77260-LAC5-700	0	F06			
53801-LAC5-700	4	F03	77280-LAC5-700	0	F06	87501-LAC5-900	7	F12
			77300-LAC5-900	3	F06	87508-LAC5-910	2	F12
64000			80000			87508-LED4-900	0	F12
64302-LAC5-900	5	F02				87508-LED4-E00	0	F12
64310-LAC5-900	5	F02	80101-LDB4-900	5	F10	87522-LBB7-M32	2	F12
64311-LAC5-900	3	F02				87532-KGAG-V00	6	F13
64316-LAC5-900	2	F02	83000			87541-LAC5-M30	5	F12
64320-LAC5-900	2	F02				87560-LAC5-900	4	F12
64330-LAC5-900	4	F02	83500-LAC5-900	5	F08	88000		
			83551-KKAK-900	0	F08			
			83600-LAC5-900	7	F08	88120-LAC5-910	4	F01

PART NO. INDEX

PART NO.	VERSION	PAGE	PART NO.	VERSION	PAGE	PART NO.	VERSION	PAGE		
88130-LAC5-900	2	F01	93000			94021-06070-0S	0	F11		
90000							94021-08020-0S	0	F04	
							94021-08020-0S	0	F05	
				93500-04010-0F	0	F01	94050-05080-G	1	F01	
	90023-LAC5-001	1		F02	93500-04012-0HG	0	F11	94050-05080-G	1	F11
	90105-LAC5-900	4		F04	93500-04030-0HG	0	F10	94050-06080-G	1	F08
	90105-LAC5-900	4		F05	93600-02008-0A	0	F10	94050-06080-G	1	F11
	90301-4C73-004	0		F01	93891-04012-06	0	E01	94050-08060	0	F11
	90301-KKAK-900	1		F11	93891-05025-06	0	F10	94050-08080-G	1	E01
	90301-LAC5-001	1		F02	93901-32120	1	F10	94050-08080-G	1	F01
	90301-LAC5-671	1		F02	93901-32310	0	F09	94101-06800-G	1	F11
	90302-GFY6-911	1		F01	93903-14380-G	0	F02	94102-12800	0	F11
	90302-KEC8-910	1		F01	93903-25460	0	F10	94111-08800	0	F03
	90302-LAC5-004	1		F01	93903-34380-G	0	F01	94111-08800	0	F04
	90302-LAC5-004	1		F02	93903-34380-G	0	F02	94111-08800	0	F05
	90304-GHE8-004	0		F04	93903-34380-G	0	F08	94201-30250	0	F11
	90304-GHE8-004	0		F11	93903-34380-G	0	F09	94510-19000	0	E01
	90306-GLW0-90A	1	F05	93903-GFY6-910	1	F01	94591-27000	0	F11	
90309-GLW0-90A	1	F01	94000			95000				
90309-GLW0-90A	1	F03								
90656-KUDU-900	0	F10								
92000				94001-06080-0SG	0		F11	95701-06055-08G	0	F11
				94001-08080-0S	0		F03	95701-08065-06	0	F11
				94001-LAC5-900	2		F03	95801-08035-06	1	F01
				94001-LBB7-E00	2		F11	95801-08045-08G	0	F01
92101-06020-0G	0	F11		94012-12080-0S	0		F11	95801-10080-06	0	F11

PART NO. INDEX

PART NO.	VERSION	PAGE	PART NO.	VERSION	PAGE	PART NO.	VERSION	PAGE
96000								
96120-62020-00	0	F04						
96130-60000-00	0	F11						
96211-05000	26	F03						
96600-06060-08G	1	E01						
96700-LCA1-E00	2	F11						
98000								
98200-34000	0	F10						

