

# PARTS CATALOGUE



## MOBILITY SCOOTER

EQ30BC(UK)

SUPER 4



Release Date : 2019/04/15  
Print Date : 2019/11/01

## ABOUT THIS PARTS LIST

- This parts list is compiled all service parts for model EQ30BC(UK).
- Any difference between color chart and motorcycle will be revised according to motorcycle.
- The Mark:
  1. Marking "\*\*\*" must add color code in the end before ordering parts.
  2. Marking "#" are parts with modification, Please find the details from e-Parts system.
- When modification or additions to this parts list are made a revised edition at an appropriate time.



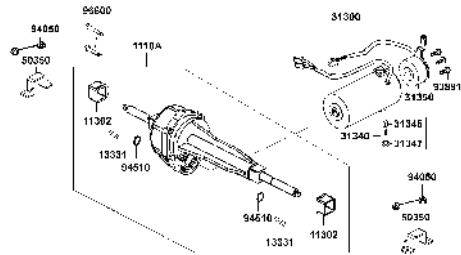
# CONTENTS

● ABOUT THIS PARTS LIST .....	1
● COLOR CHART OF EQ30BC(UK) .....	3
● CONTENTS-ENGINE GROUP .....	4
● CONTENTS-FRAME GROUP .....	5
● ENGINE PARTS LIST .....	7
● FRAME PARTS LIST .....	9
● PART NO. INDEX .....	45

NO	MODEL			COLOR CHART OF EQ30BC(UK)							
	PHOTO NO			NO. 1	NO. 2	NO. 3	NO. 4				
	BASIC COLOR			Dark Red	Black	Burgundy	Dark Red				
	CODE			Dark Red	Black	Burgundy	Dark Red				
	PARTS NAME	PARTS NO.	VERSION	RR157MA	NH001SA	RR132MA	RR132MA				
1	COVER HANDLE FR	53205-LAC5-900	5	EKP	N1P	R7P					
2	METER COVER	53207-LAC5-900	8								
3	RR. HANDLE COVER	5321A-LAC5-900	0								
4	FLOOR PANEL	64310-LAC5-900	5								
5	COVER BODY LOW	83600-LAC5-900	7								
6	BODY COVER LOW	83600-LAC5-910	0								
7	CAP FR AXLE	44315-LCA1-E00	2								
8	GRIP L HANDLE	53166-LAC5-911	1	N1R							
9	COVER DUST	53209-LAC5-810	0								
10	BOLT HANDLE SET	64302-LAC5-900	5								
11	PLUG FLOOR	64316-LAC5-900	2								
12	MAT FLOOR	64320-LAC5-900	2								
13	COVER FLOOR	64330-LAC5-900	4								
14	FENDER R RR TIRE	80100-LAC5-900	0								
15	FENDER L RR TIRE	80200-LAC5-900	0								
16	COVER BODY UP	83500-LAC5-900	5					N8P			
17	SEAT ASSY	77200-LAC5-510	0								
18	STRIPE SUPER 4	86201-LAC5-E20	0	T01							
19	EMB METER	86444-LAC5-900	9								
20	USE CAUTION	87501-LAC5-900	7								
21	LABEL BATTERY	87508-LAC5-910	2								
22	MAR DRIVE CAUTION	87560-LAC5-900	4								
23	STRIPE B BODY COVER	86211-LDB4-900	5					T01	T02	T01	
24	MARK KYMCO	87532-KGAG-V00	6	T02							
DATE OF STARTING-SALES											
DATE OF END-SALES											

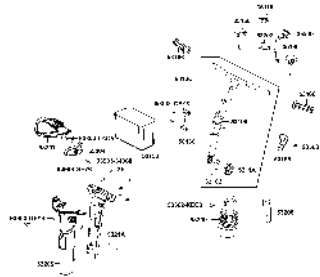
## CONTENTS - ENGINE GROUP

**E01** Motor

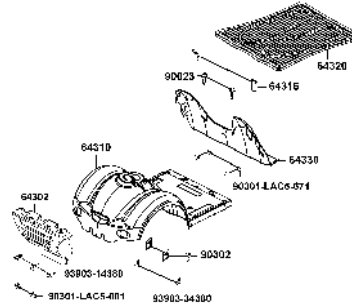


## CONTENTS - FRAME GROUP

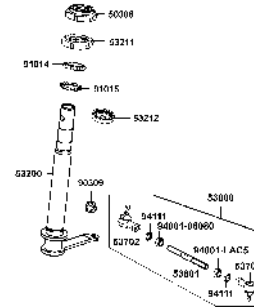
**F01** Handle Steering



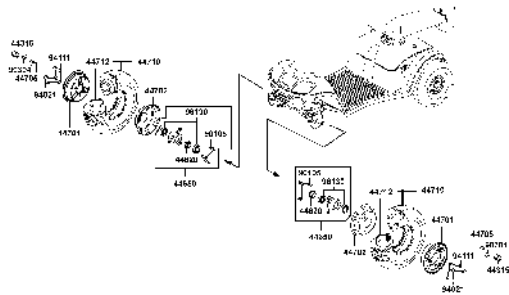
**F02** Floor



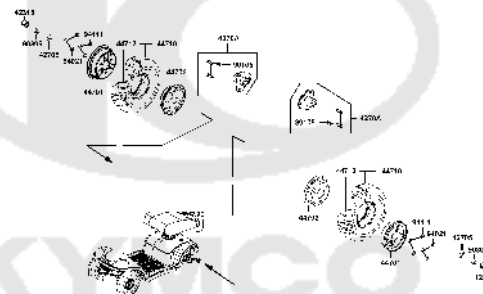
**F03** Steering Stem



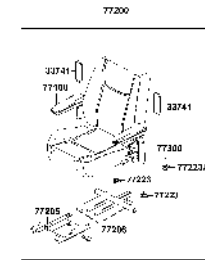
**F04** Front Wheel



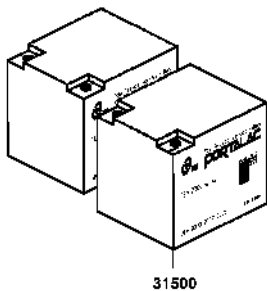
**F05** Rear Wheel



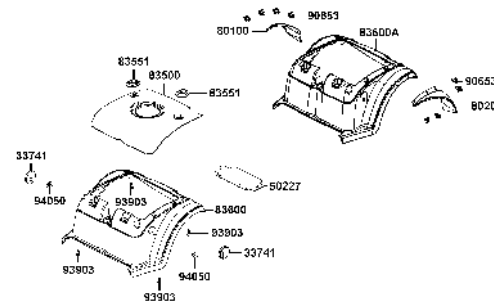
**F06** Seat



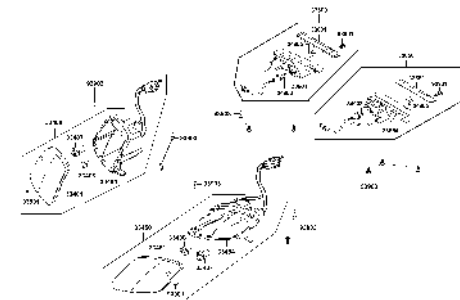
**F07** Battery



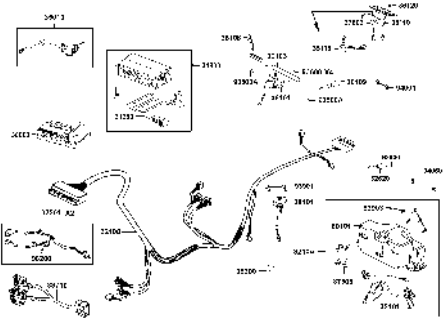
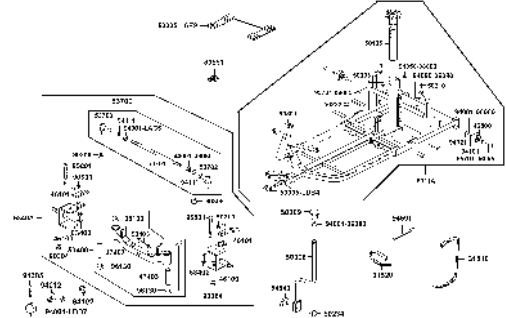
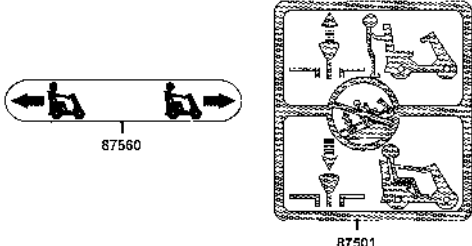
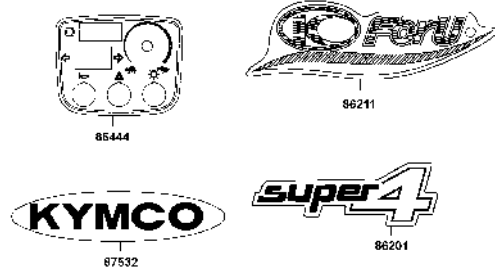

**F08** Body Cover



**F09** Winker Assy RH

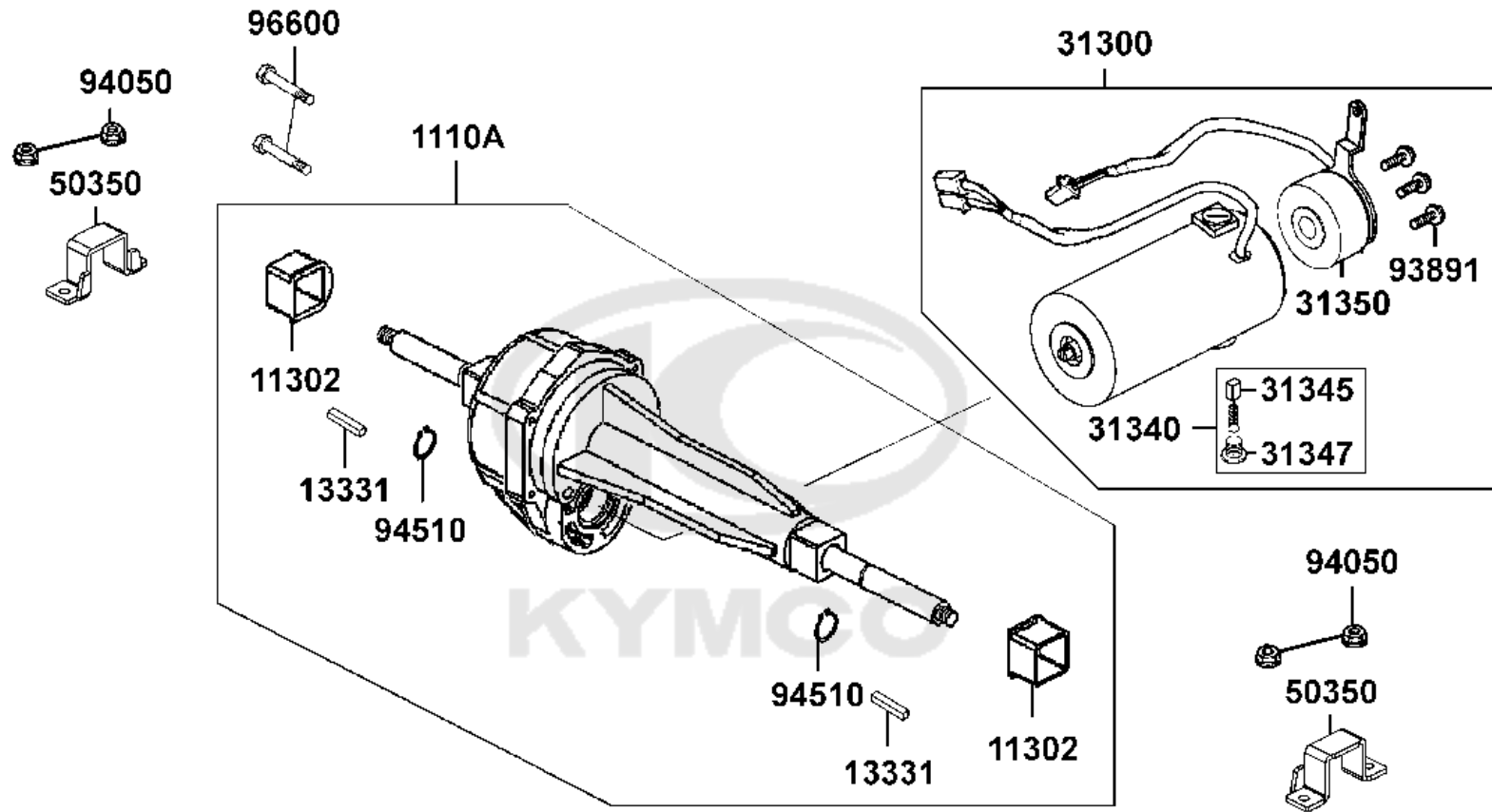


# CONTENTS - FRAME GROUP

<p><b>F10</b>    <b>Harness Wire</b></p> 	<p><b>F11</b>    <b>Frame Body</b></p> 	<p><b>F12</b>    <b>Caution Label</b></p> 
<p><b>F13</b>    <b>Mark</b></p> 	<p><b>F14</b>    <b>KEY COMP</b></p> 	

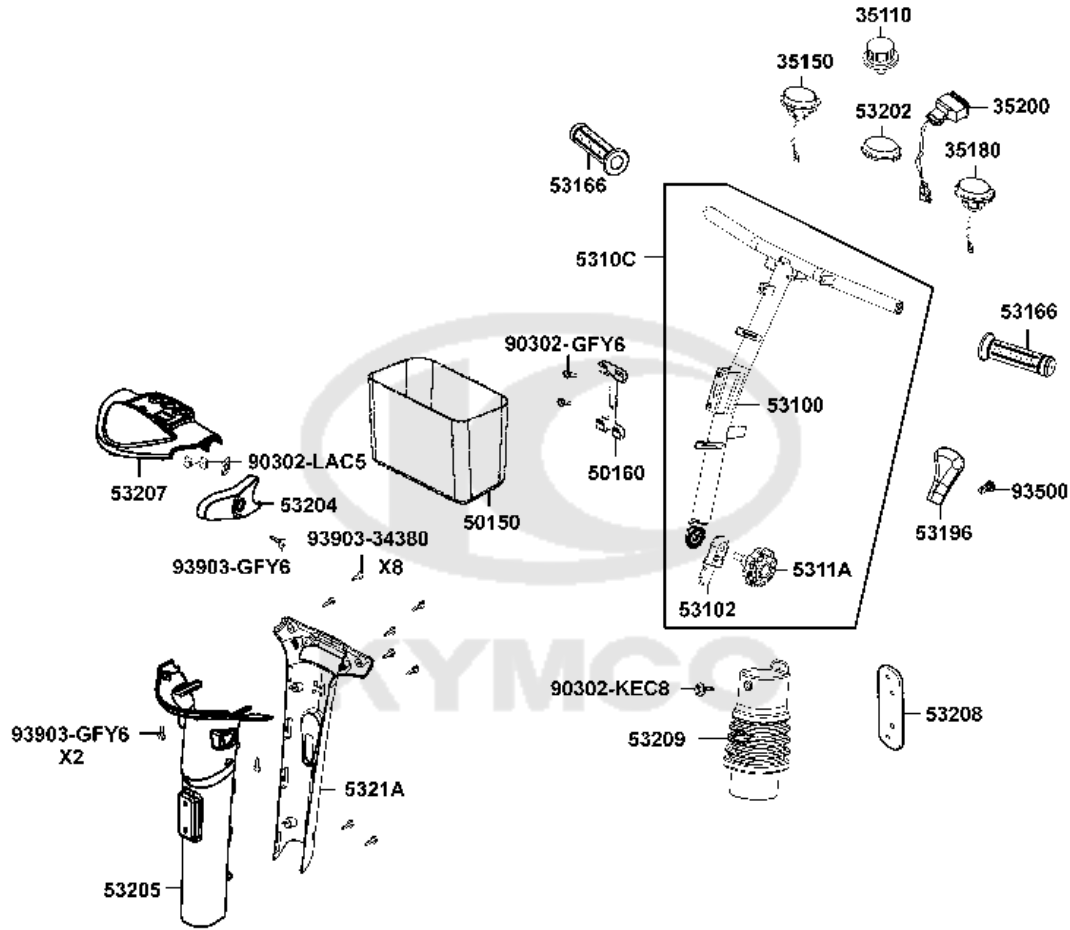
E01

Motor

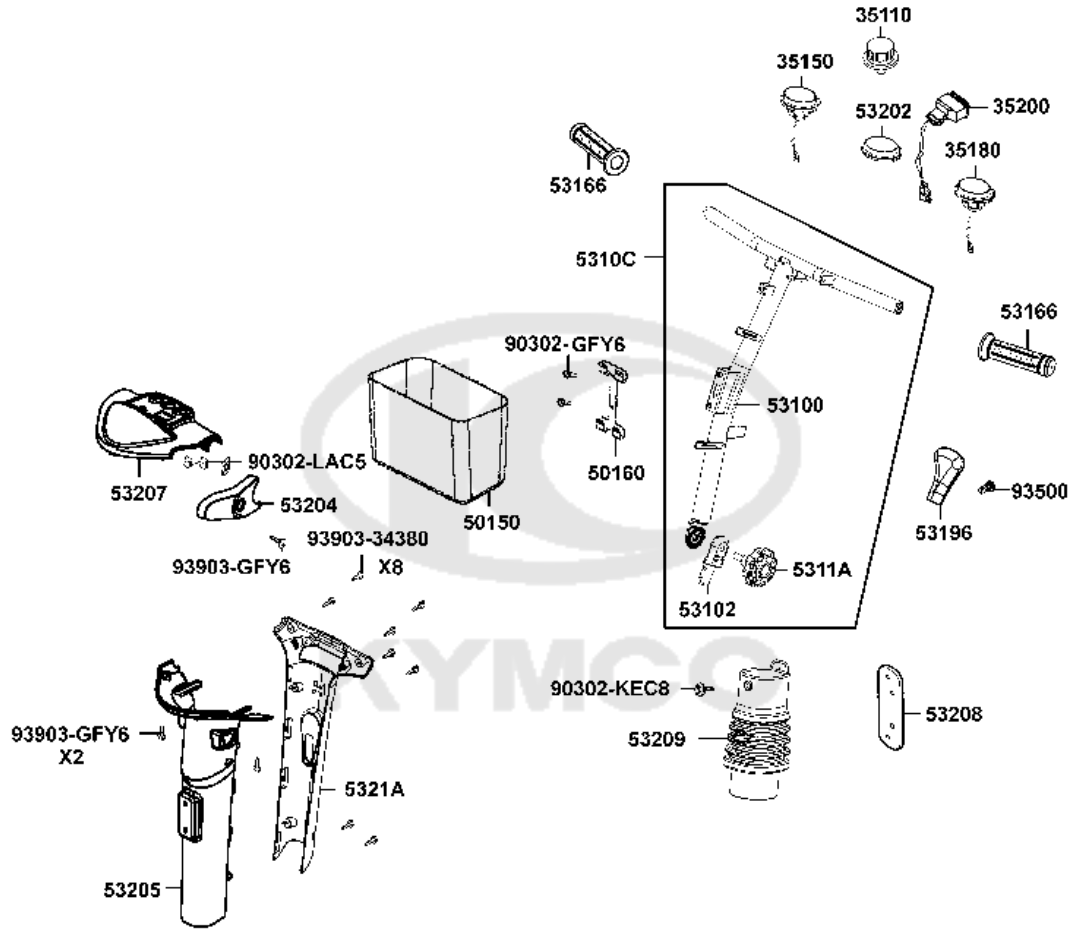




Sales mark	Ref no	Part no	Description	Reg description	Regd no	Ref Price	E01
	1110A	1110A-LAC5-700	MISSION ASSY **C.2007.07.18	MISSION ASSY **C.2007.07.18	1	175.62	
	11302	11302-LAC5-900	RUBBER	RUBBER	2	6.50	
	13331	13331-LAC5-900	KEY 4.8*4.8*30	KEY 4.8*4.8*30	2	3.25	
	31300	31300-LAC5-920	MOTOR ASSY	MOTOR ASSY	1	150.00	
	31340	31340-LAC5-900	BRUSH ASSY	BRUSH ASSY	2	7.00	
	31345	31345-LAC5-305	MOTOR BRUSH- MIDI XL/ SUPER 4/6/8/	MOTOR BRUSH- MIDI XL/ SUPER 4/6/8/	2	3.25	
	31347	31347-LAC5-305	CAP BRUSH	CAP BRUSH	2	3.25	
	31350	31350-LAC5-900	BRAKE ASSY	BRAKE ASSY	1	52.00	
	50350	50350-LDB4-900	CONNECTOR MISSION	CONNECTOR MISSION	2	5.20	
	93891	93891-04012-06	SCREW WASHER 4*12	SCREW WASHER 4*12	3	0.13	
	94050	94050-08080-G	NUT FLANGE 8MM (C)	NUT FLANGE 8MM (C)	4	0.49	
	94510	94510-19000	CIRCLIP EX 1.9	CIRCLIP EX 1.9	2	2.12	
	96600	96600-06060-08G	SCOKET BOLT 8*18	SCOKET BOLT 8*18	2	3.25	



Sales mark	Ref no	Part no	Description	Reg description	Regd no	Ref Price	F01
	35110	35110-LAC5-900-R	SPEED KNOB ALT 35110-LHD7-900	SPEED KNOB ALT 35110-LHD7-900	1	5.20	
	35150	35150-LAC5-900-R	SW UNIT LIGHTING ALT-35150-LAC5-	SW UNIT LIGHTING ALT-35150-LAC5-900	1	6.50	
	35180	35180-LAC5-E20	SW UNIT HORN	SW UNIT HORN	1	6.50	
	35200	35200-LAC5-E20-R	SW UNIT WINKER ALT 35200-LAC5-E20	SW UNIT WINKER ALT 35200-LAC5-E20	1	6.50	
	50150	50150-LAC5-910	BASKET ALT 50150-LAC5-900	BASKET ALT 50150-LAC5-900	1	18.20	
	50160	50160-LAC5-900	STAY BASKET SET	STAY BASKET SET	1	5.20	
	53100	53100-LAC5-E01	HANDLE COMP STRG	HANDLE COMP STRG	1	19.50	
	53102	53102-LDE5-900	TOOTH UNDER ADJUST	TOOTH UNDER ADJUST	1	9.75	
	5310C	5310C-LAC5-E01	HANDLE ASSY	HANDLE ASSY	1	30.00	
	5311A	5311A-LDE5-910	ALT 5311A-LDE5-900	ALT 5311A-LDE5-900	1	5.85	
**	53166	53166-LAC5-911	HAND GRIP	HAND GRIP	2	3.25	
	53196	53196-LAC5-900	BLACK GRIP	BLACK GRIP	1	3.21	
	53202	53202-LAC5-E00	BLANK, SWITCH UNIT	BLANK, SWITCH UNIT	1	3.25	
	53204	53204-LBB6-900	COVER HANDLE L SIDE	COVER HANDLE L SIDE	1	5.85	
**	53205	53205-LAC5-900	COVER HANDLE FR /BLACK	COVER HANDLE FR /BLACK	1	18.20	
**	53207	53207-LAC5-900	METER COVER /BLACK	METER COVER /BLACK	1	10.40	
	53208	53208-LAC5-E00	STAY HORN	STAY HORN	1	5.20	
**	53209	53209-LAC5-810	COVER DUST	COVER DUST	1	11.70	
**	5321A	5321A-LAC5-900	RR. HANDLE COVER ASSY	RR. HANDLE COVER ASSY	1	13.00	
	90302-GFY6	90302-GFY6-911	BOLT-WASH 5*12	BOLT-WASH 5*12	2	3.25	

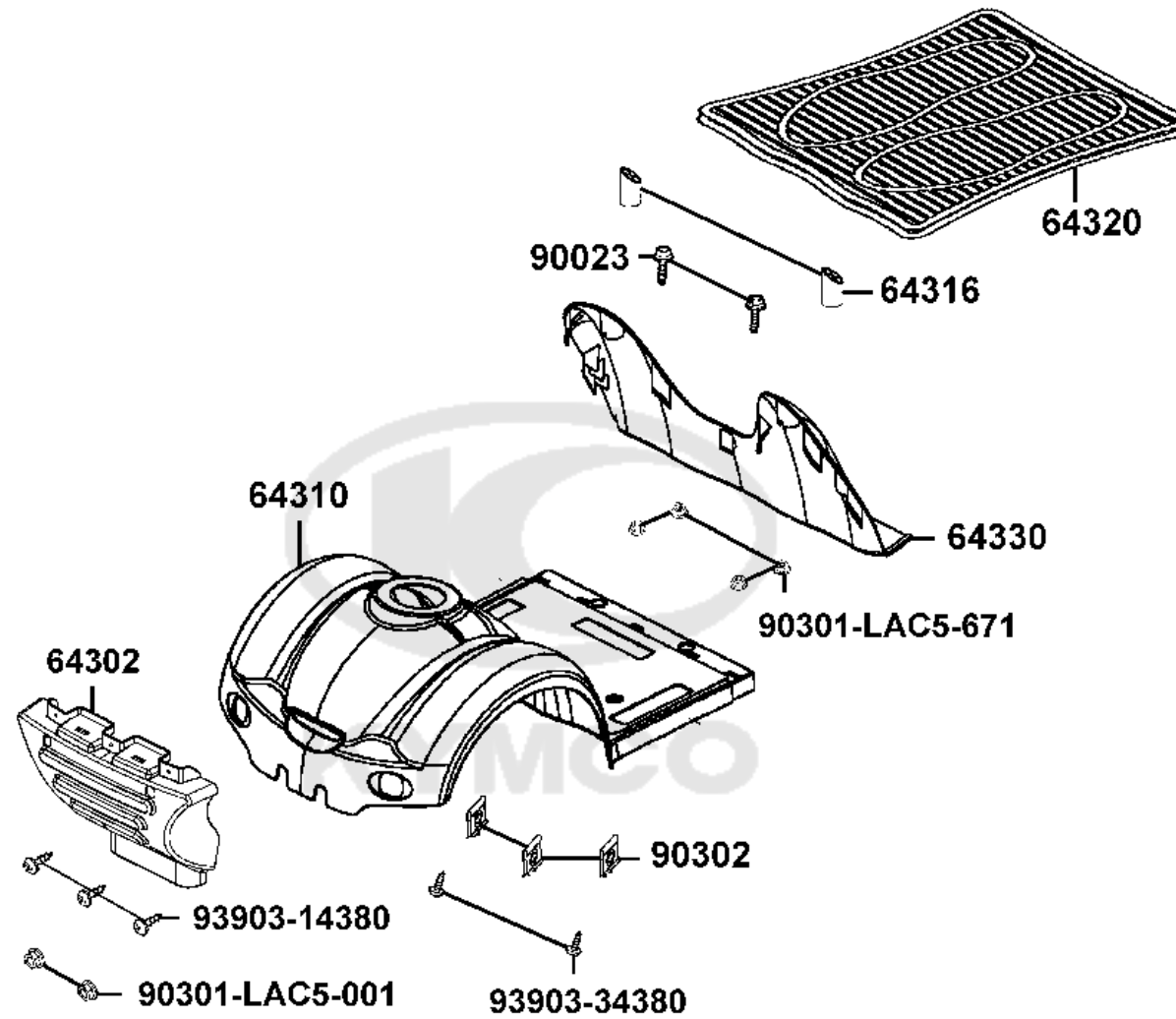


Sales mark	Ref no	Part no	Description	Reg description	Regd no	Ref Price	F01
	90302-KEC8	90302-KEC8-910	BOLT PAN 5*9	BOLT PAN 5*9	1	3.25	
	90302-LAC5	90302-LAC5-004	NUT SPRING 4MM	NUT SPRING 4MM	2	3.25	
	90302-LAC5	90302-SDA4-004	NUT SPRING 4MM **SA4-0040	NUT SPRING 4MM **SA4-0040	1	0.26	
	93500	93500-04010-0HG	SCREW PAN 4*10	SCREW PAN 4*10	1	3.25	
	93903-34380	93903-34380-G	SCREW TAPPING 4x12	SCREW TAPPING 4x12	8	3.25	
	93903-GFY6	93903-GFY6-910	BOLT-WASH 5*12	BOLT-WASH 5*12	3	3.25	



F02

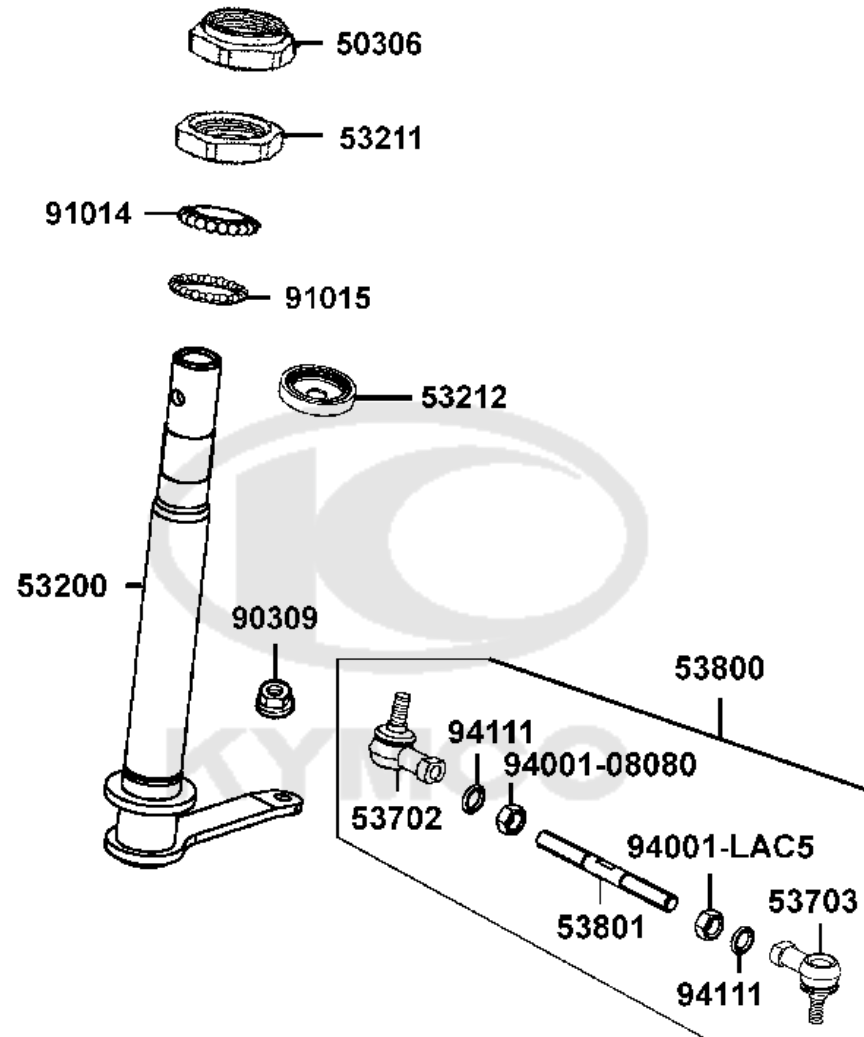
Floor



Sales mark	Ref no	Part no	Description	Reg description	Regd no	Ref Price	F02
**	64302	64302-LAC5-900	FRONT PLASTIC BUMPER- SUPER	FRONT PLASTIC BUMPER- SUPER 4/6/8/	1	8.45	
**	64310	64310-LAC5-900	FR FLOOR PANEL- MIDI RANGE-	FR FLOOR PANEL- MIDI RANGE- GLOSSY	1	81.25	
**	64316	64316-LAC5-900	PLUG FLOOR	PLUG FLOOR	2	3.25	
**	64320	64320-LAC5-900	FLOOR MAT- MIDI RANGE- BLACK	FLOOR MAT- MIDI RANGE- BLACK MAT	1	11.05	
**	64330	64330-LAC5-900	COVER FLOOR	COVER FLOOR	1	9.75	
	90023	90023-LAC5-001	BOLT SEAT LOCK 6X13.5	BOLT SEAT LOCK 6X13.5	2	3.25	
	90301-LAC5-001	90301-LAC5-001	NUT 6MM OPENSTAY	NUT 6MM OPENSTAY	2	3.25	
	90301-LAC5-671	90301-LAC5-671	NUT FLANGE 6MM	NUT FLANGE 6MM	4	3.25	
	90302	90302-LAC5-004	NUT SPRING 4MM	NUT SPRING 4MM	3	3.25	
	90302	90302-SDA4-004	NUT SPRING 4MM **SA4-0040	NUT SPRING 4MM **SA4-0040	1	0.26	
	93903-14380	93903-14380-G	SCREWTAPPING 4x12	SCREWTAPPING 4x12	3	3.25	
	93903-34380	93903-34380-G	SCREW TAPPING 4x12	SCREW TAPPING 4x12	2	3.25	

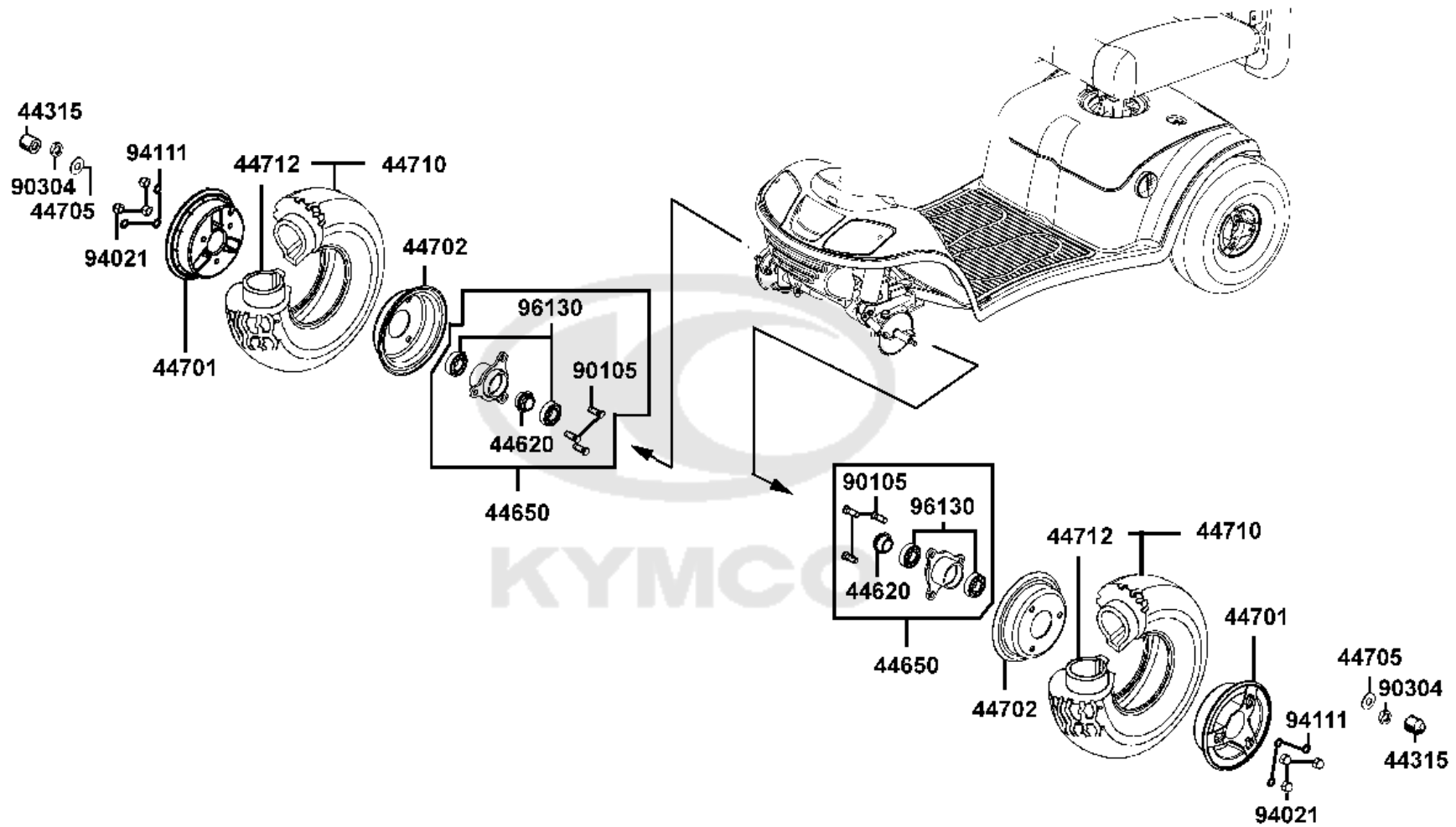
F03

# Steering Stem





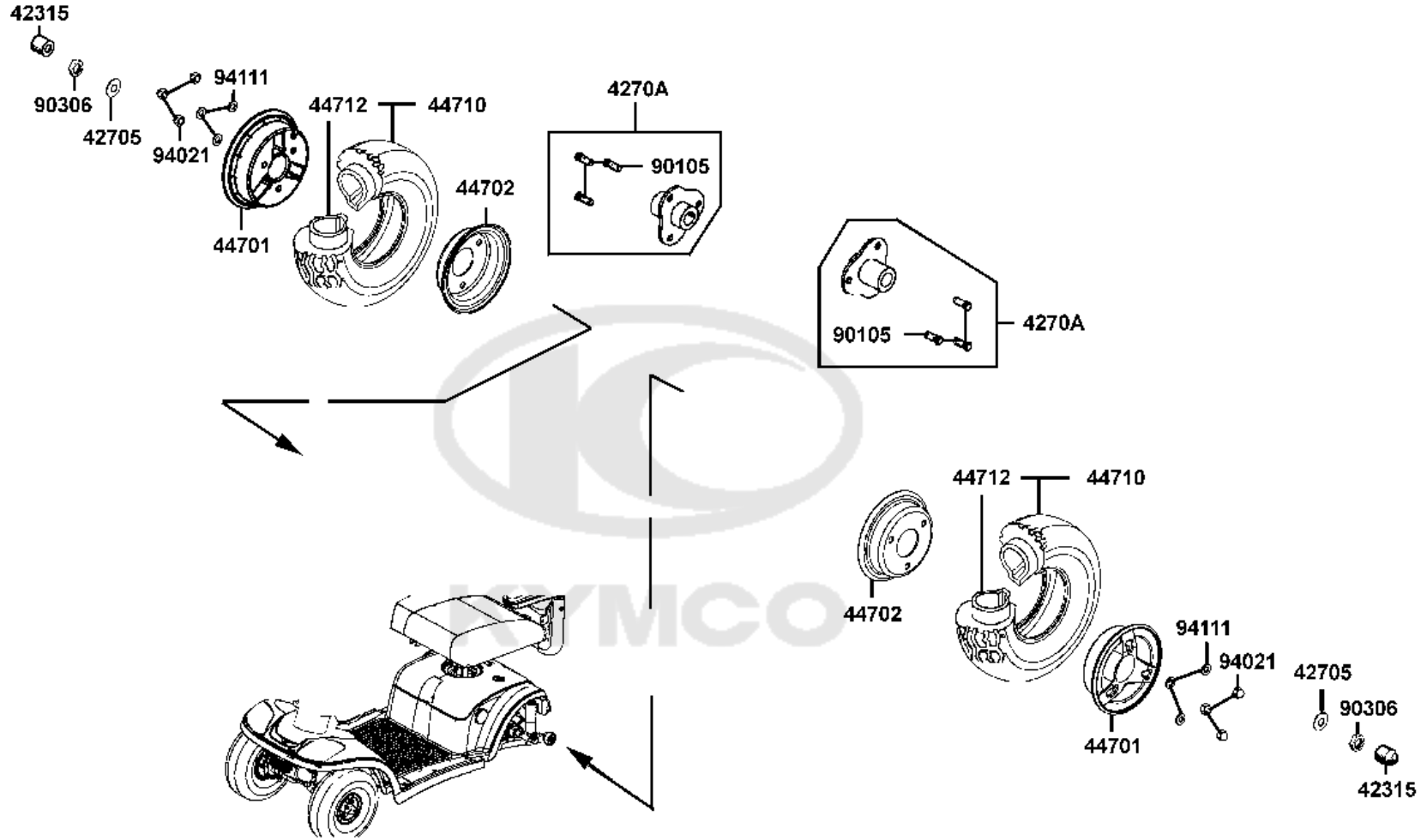
Sales mark	Ref no	Part no	Description	Reg description	Regd no	Ref Price	F03
	50306	50306-LHD7-900	LOCK NUT 1"	LOCK NUT 1"	1	5.20	
	53200	53200-LAC5-810	STEM COMP STEERING	STEM COMP STEERING	1	19.50	
	53211	53211-LHD7-900	TOP HEAD CONE 1"	TOP HEAD CONE 1"	1	3.25	
	53212	53212-LDB4-004	ORDER 53212-GHC8-004	ORDER 53212-GHC8-004	1	3.25	
	53702	53702-LAC5-900	BALL JOINT R	BALL JOINT R	2	6.50	
	53703	53703-LAC5-900	JOINT L BALL	JOINT L BALL	2	16.25	
	53800	53800-LAC5-700-R	ROD ASSY STEERING	ROD ASSY STEERING	1	23.40	
	53801	53801-LAC5-700	ROD COMP STEERING	ROD COMP STEERING	1	11.70	
	90309	90309-LDB4-90A	NUT U FLANGE 8MM	NUT U FLANGE 8MM	1	3.25	
	91014	91014-LHD7-900	BALL RETAINER 5/32"	BALL RETAINER 5/32"	2	3.25	
	91015	91015-LAC5-E20	BALL RETAINERS	BALL RETAINERS	1	3.25	
	94001-08080	94001-08080-0SG	NUT HEX 8MM (C)	NUT HEX 8MM (C)	2	0.49	
	94001-LAC5	94001-LAC5-900	NUT HEX 8MM L	NUT HEX 8MM L	2	0.55	
	94111	94111-08800-0SG	WASHER SPG 8MM	WASHER SPG 8MM	4	3.25	



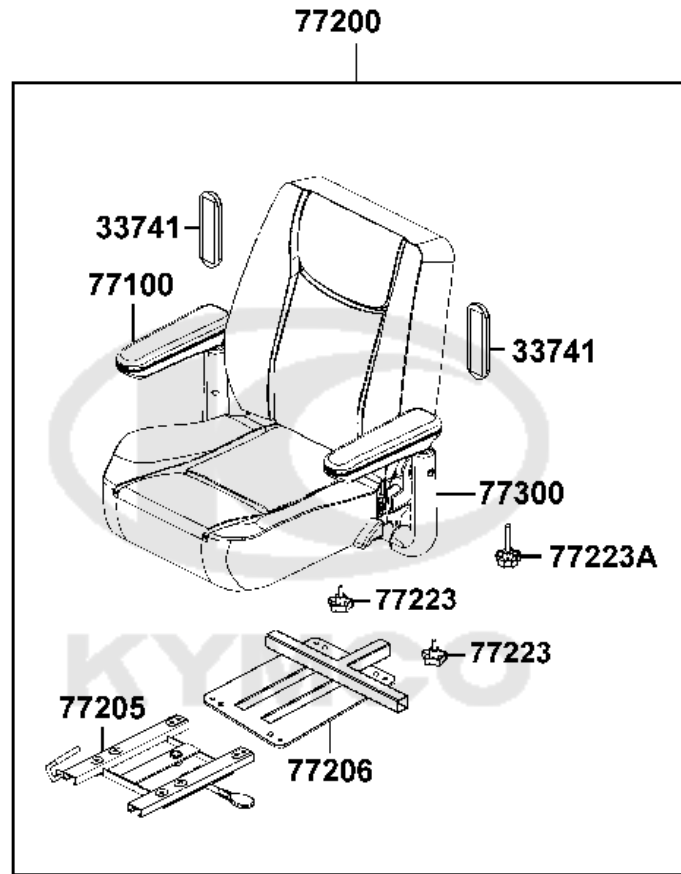
Sales mark	Ref no	Part no	Description	Reg description	Regd no	Ref Price	F04
	44315	44315-LAC5-900	CAP FR AXLE **(0) C.2003.10.22	CAP FR AXLE **(0) C.2003.10.22	2	3.25	
	44620	44620-LAC5-900	DIST COLLAR	DIST COLLAR	2	3.25	
	44650	44650-LAC5-710	CONNECTOR ASSY FR	CONNECTOR ASSY FR	2	29.25	
	44701	44701-LAC5-930	RIM CAST FR RH	RIM CAST FR RH	2	24.05	
	44702	44702-LAC5-930	ORDER 44701-LAC5-900	ORDER 44701-LAC5-900	2	5.20	
	44705	44705-LAC5-900	WASHER 12MM	WASHER 12MM	2	3.25	
	44710	44710-LAC5-920	TIRE BLACK 300/4	TIRE BLACK 300/4	2	19.50	
	44712	44712-LAC5-900	TUBE TIRE **(0) C.2005.09.08	TUBE TIRE **(0) C.2005.09.08	2	7.22	
	90105	90105-LAC5-900	BOLT M8*20 **(0) C.2005.09.08	BOLT M8*20 **(0) C.2005.09.08	6	3.25	
	90304	90304-LDB4-90A	NUT U FLANGE 10MM	NUT U FLANGE 10MM	2	3.25	
	94021	94021-08000-0SG	NUT HEX CAP 8MM	NUT HEX CAP 8MM	6	3.25	
	94111	94111-08000-G	WASHER SPG 8MM	WASHER SPG 8MM	6	3.25	
	96130	96130-60020-10	BEARING BALL RADIAL 6002	BEARING BALL RADIAL 6002	4	5.28	

F05

Rear Wheel



Sales mark	Ref no	Part no	Description	Reg description	Regd no	Ref Price	F05
	42315	42315-LAC5-900	CAP RR AXLE **(0) C.2003.10.22	CAP RR AXLE **(0) C.2003.10.22	2	3.25	
	42705	42705-LAC5-900	WASHER 12MM RR WHEEL	WASHER 12MM RR WHEEL	2	3.25	
	4270A	4270A-LAC5-900	CONNECTOR ASSY RR	CONNECTOR ASSY RR	2	13.00	
	44701	44701-LAC5-930	RIM CAST FR RH	RIM CAST FR RH	2	24.05	
	44702	44702-LAC5-930	ORDER 44701-LAC5-900	ORDER 44701-LAC5-900	2	5.20	
	44710	44710-LAC5-920	TIRE BLACK 300/4	TIRE BLACK 300/4	2	19.50	
	44712	44712-LAC5-900	TUBE TIRE **(0) C.2005.09.08	TUBE TIRE **(0) C.2005.09.08	1	7.22	
	90105	90105-LAC5-900	BOLT M8*20 **(0) C.2005.09.08	BOLT M8*20 **(0) C.2005.09.08	6	3.25	
	90306	90306-LDB4-90A	NUT U FLANGE 10MM	NUT U FLANGE 10MM	2	3.25	
	94021	94021-08000-0SG	NUT HEX CAP 8MM	NUT HEX CAP 8MM	6	3.25	
	94111	94111-08000-G	WASHER SPG 8MM	WASHER SPG 8MM	6	3.25	

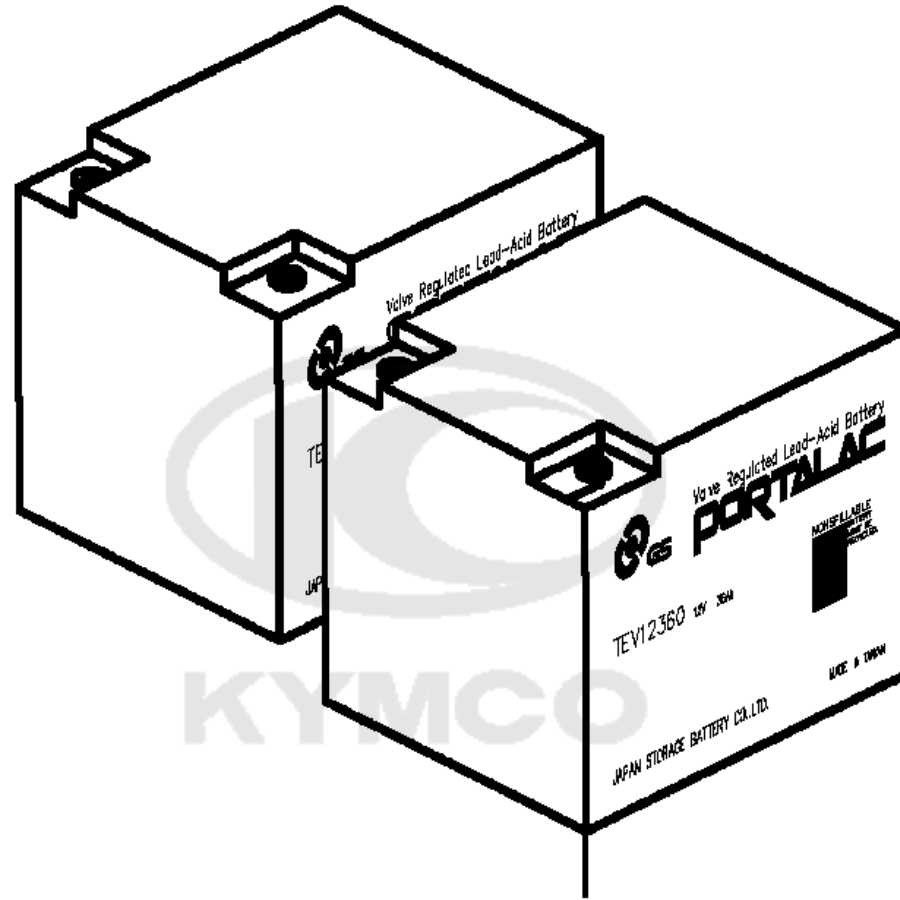


Sales mark	Ref no	Part no	Description	Reg description	Regd no	Ref Price	F06
	33741	33741-LBB7-E70	REFLEX REFLECTOR	REFLEX REFLECTOR	2	3.25	
	77100	77100-LAC5-810	RH USE 77100-LBB7-700	RH USE 77100-LBB7-700	1	21.63	
**	77200	77200-LAC5-510	SEAT ASSY- SUPER 4/6/8- BLACK	SEAT ASSY- SUPER 4/6/8- BLACK	1	178.75	
	77205	77205-LAC5-900	BASE ASSY SEAT	BASE ASSY SEAT	1	53.80	
	77206	77206-LAC5-900	STAY ASSY RR SEAT	STAY ASSY RR SEAT	1		
	77223	77223-LAC5-305	BOLT LOCK ARM REST	BOLT LOCK ARM REST	2	3.25	
	77223A	77223-LDB4-305	BOLT LOCK ARM REST	BOLT LOCK ARM REST	1	1.19	
	77300	77300-LAC5-810	ARM REST ASSY L/H	ARM REST ASSY L/H	1	31.20	



F07

Battery



31500



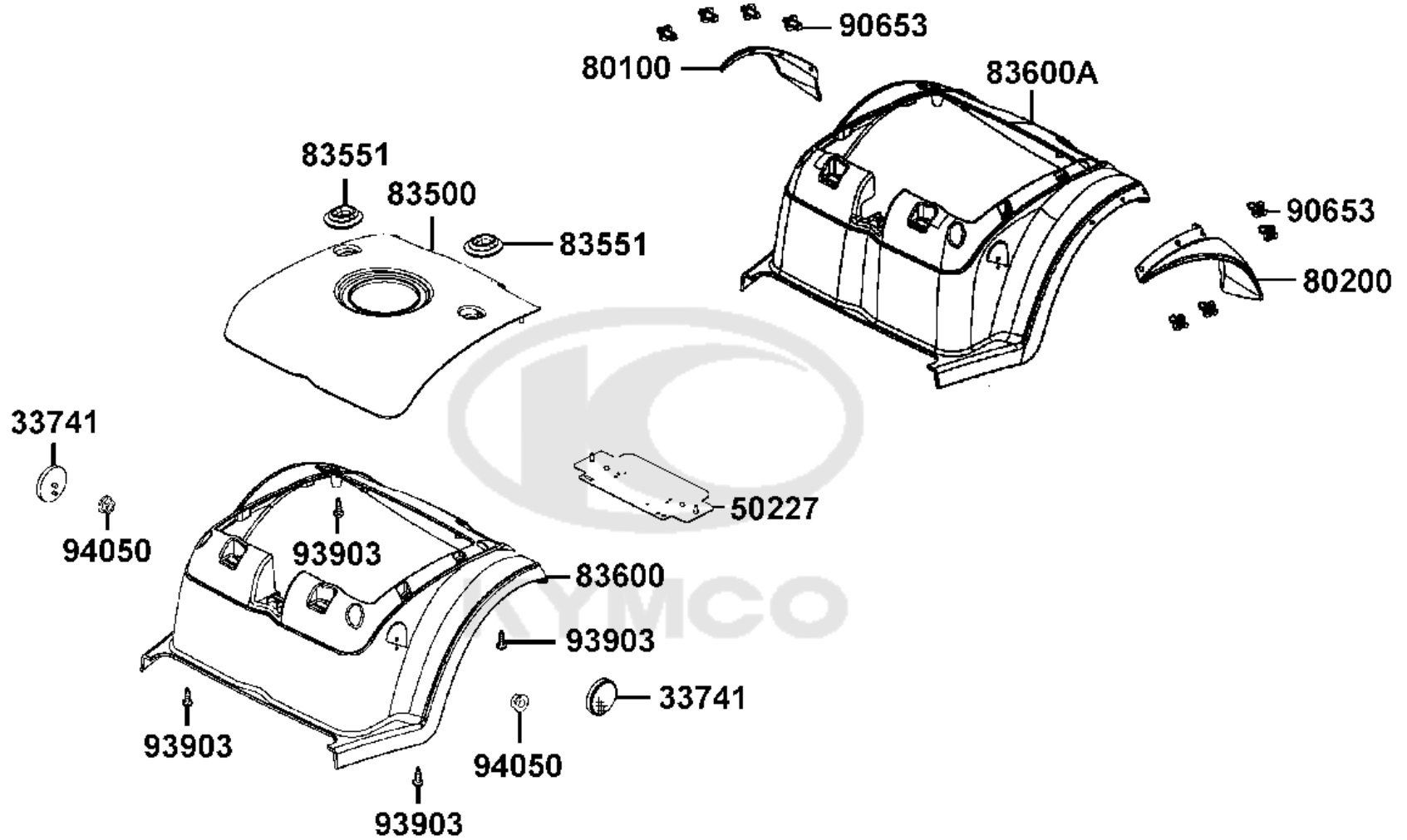
Sales mark	Ref no	Part no	Description	Reg description	Regd no	Ref Price	<b>F07</b>
------------	--------	---------	-------------	-----------------	---------	-----------	------------

31500	31500-LAC5-900	31500-LAC5-900	ORDER 31500-BAT36	ORDER 31500-BAT36	2	66.00	
-------	----------------	----------------	-------------------	-------------------	---	-------	--



F08

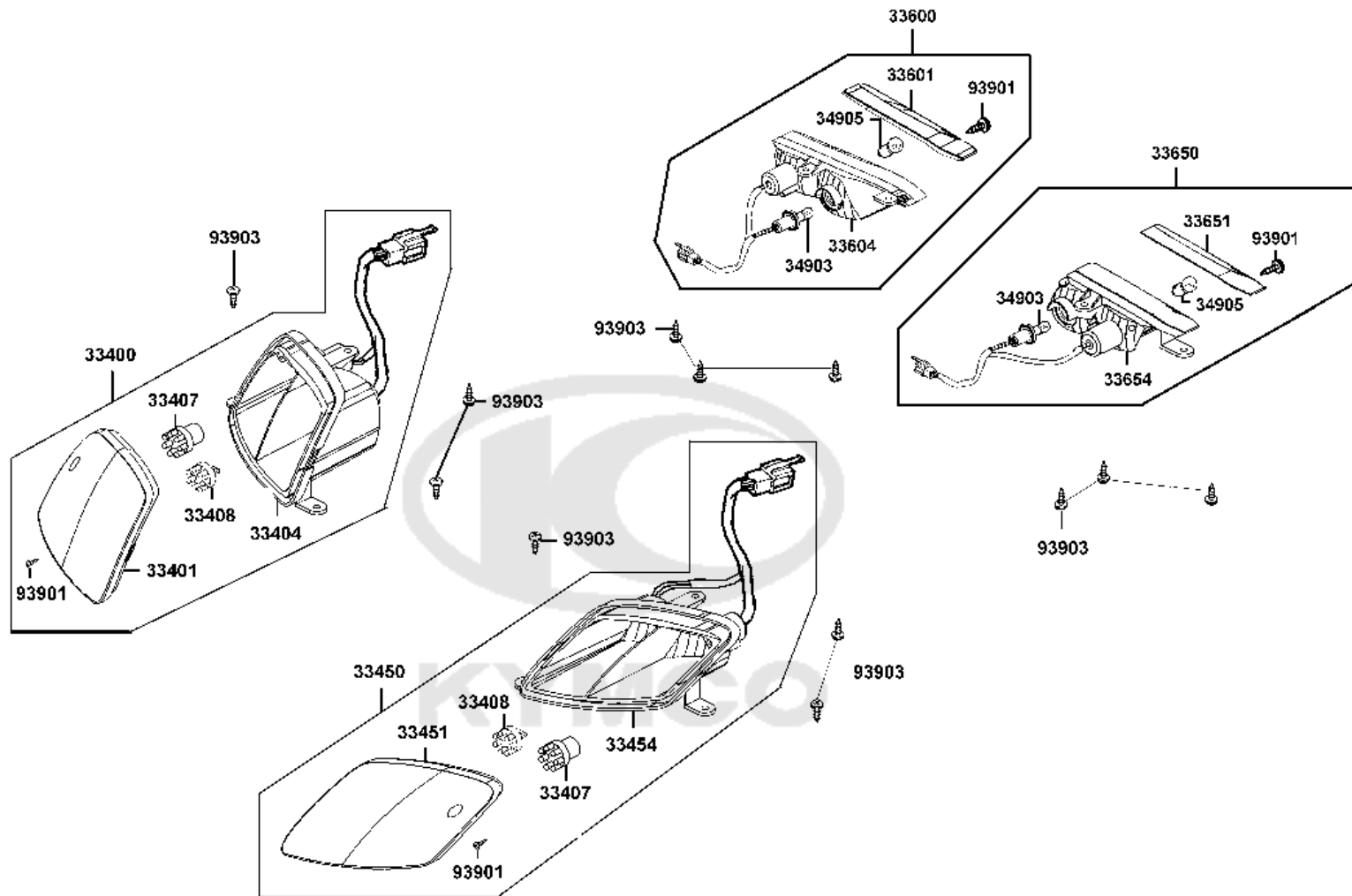
Body Cover



Sales mark	Ref no	Part no	Description	Reg description	Regd no	Ref Price	F08
	33741	33741-GFY6-C30	REFLEX REFLECTOR ORANGE	REFLEX REFLECTOR ORANGE	2	2.08	
	50227	50227-LAC5-700	STAY.ECU	STAY.ECU	1	9.75	
**	80100	80100-LAC5-900	FENDER R RR TIRE	FENDER R RR TIRE	1	3.25	
**	80200	80200-LAC5-900	FENDER L RR TIRE	FENDER L RR TIRE	1	3.25	
**	83500	83500-LAC5-900	REAR BATTERY COVER- MIDI RANGE-	REAR BATTERY COVER- MIDI RANGE-	1	22.75	
	83551	83551-LBE1-900	GROMMET ALT 83551-KKAK-900	GROMMET ALT 83551-KKAK-900	2	3.25	
**	83600	83600-LAC5-900	REAR BODY PANEL- MIDI RANGE-	REAR BODY PANEL- MIDI RANGE-	1	65.00	
**	83600A	83600-LAC5-910	BODY COVER LOW	BODY COVER LOW	1		
	90653	90653-LKB9-900	CLIP.MUDGUARD	CLIP.MUDGUARD	8	0.52	
	93903	93903-34380-G	SCREW TAPPING 4x12	SCREW TAPPING 4x12	4	3.25	
	94050	94050-06080-G	NUT FLANGE 6MM	NUT FLANGE 6MM	2	0.49	

F09

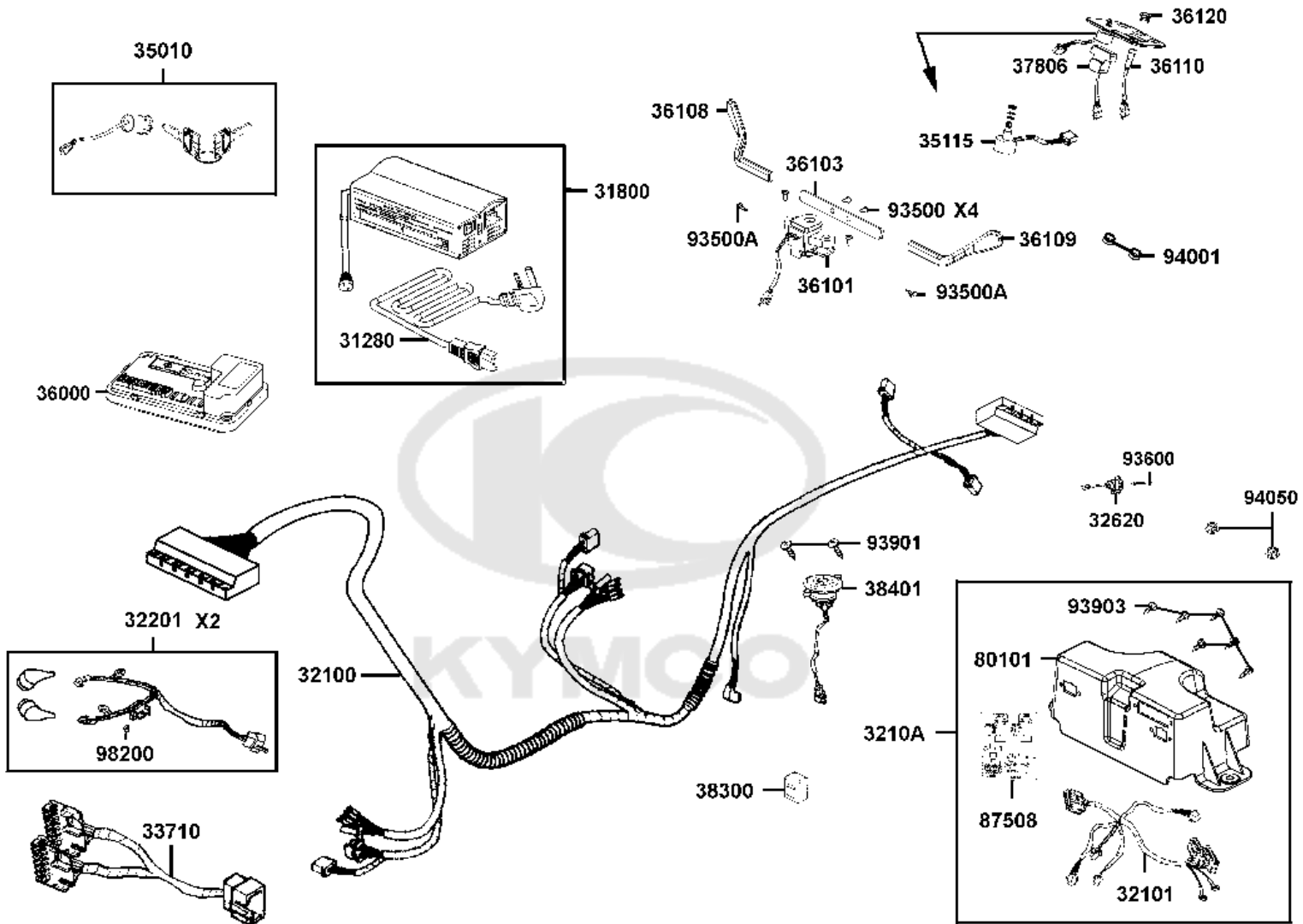
# Winker Assy RH



Sales mark	Ref no	Part no	Description	Reg description	Regd no	Ref Price	F09
	33400	33400-LAC5-E20	WINKER ASSY RH FR	WINKER ASSY RH FR	1	26.00	
	33401	33401-LAC5-900	LENS COMP R FR WINKER	LENS COMP R FR WINKER	1	6.50	
	33404	33404-LAC5-900	BASE COMP R FR WINKER	BASE COMP R FR WINKER	1	26.00	
	33407	33407-AAH6-E20	LED LAMP, WINKER	LED LAMP, WINKER	2	6.50	
	33408	33408-AAH6-E20	LED LAMP, POSITION	LED LAMP, POSITION	2	6.50	
	33450	33450-LAC5-E20	WINKER ASSY LH FR	WINKER ASSY LH FR	1	26.00	
	33451	33451-LAC5-900	LENS L FR WINKER CLEAR/ORANGE	LENS L FR WINKER CLEAR/ORANGE	1	6.50	
	33454	33454-LAC5-900	BASE COMP L FR WINKER	BASE COMP L FR WINKER	1	9.75	
	33600	33600-LAC5-900	WINKER ASSY RH RR	WINKER ASSY RH RR	1	16.25	
	33601	33601-LAC5-900	LENS COMP R RR WINKER	LENS COMP R RR WINKER	1	6.50	
	33604	33604-LAC5-900	BASE COMP R RR WINKER	BASE COMP R RR WINKER	1	9.75	
	33650	33650-LAC5-900	WINKER ASSY LH RR	WINKER ASSY LH RR	1	16.25	
	33651	33651-LAC5-900	LENS COMP L RR WINKER	LENS COMP L RR WINKER	1	6.50	
	33654	33654-LAC5-900	BASE COMP L RR WINKER	BASE COMP L RR WINKER	1	6.50	
	34903	34903-LAC5-900	BULB POSITION	BULB POSITION	2	3.25	
	34905	34905-LAC5-900	BULB WINKER 24V 10W	BULB WINKER 24V 10W	2	3.25	
	93901	93901-32310	SCREW TAPPING 3*12	SCREW TAPPING 3*12	4	3.25	
	93903	93903-34380-G	SCREW TAPPING 4x12	SCREW TAPPING 4x12	12	3.25	

F10

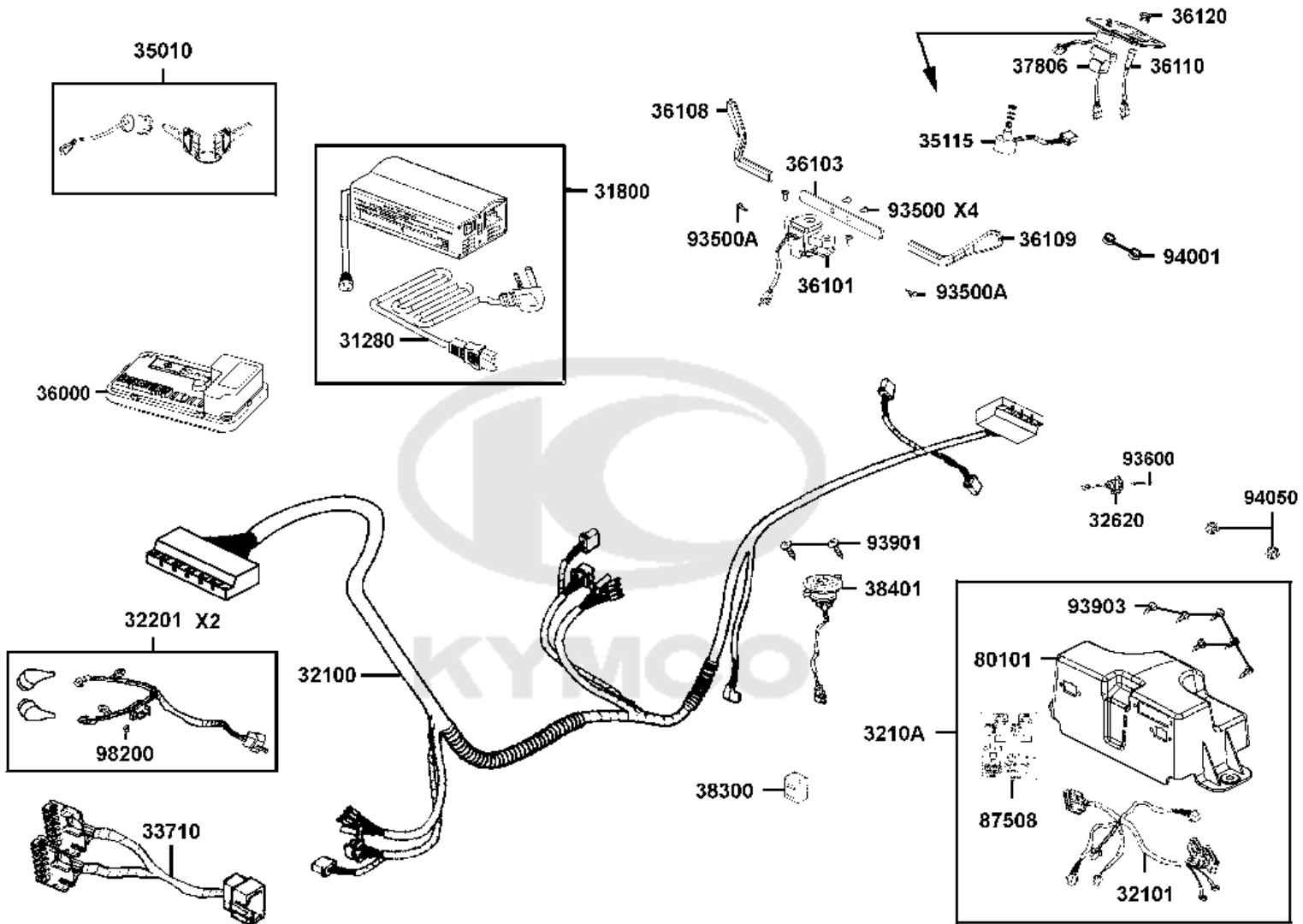
Harness Wire



Sales mark	Ref no	Part no	Description	Reg description	Regd no	Ref Price	F10
	31280	31280-LAC5-E20	CORD AC POWER	CORD AC POWER	1	6.50	
	31800	31800-LAC5-E21	BATTERY CHARGER ASSY	BATTERY CHARGER ASSY	1	70.00	
	32100	32100-LAC5-E21	HARNESS WIRE MAIN LOOM	HARNESS WIRE MAIN LOOM	1	65.00	
	32101	32101-LDB4-E23	SUB HARNESS A	SUB HARNESS A	1	19.50	
	3210A	3210A-LDB4-E23	ASSY SUB HARNESS A	ASSY SUB HARNESS A	1	28.68	
	32201	32201-LAC5-900-R	CONNECT CORD BATTERY ALT 32201-	CONNECT CORD BATTERY ALT 32201-	1	3.50	
	32620	32620-LAC5-900	SOCKET CHARGER	SOCKET CHARGER	1	8.45	
	33710	33710-LAC5-900	REAR LIGHT LOOM	REAR LIGHT LOOM	1	3.25	
	35010	35010-LAC5-E00	KEY SET	KEY SET	1	16.25	
	35115	35115-LAC5-E20	SPEED POT 20k	SPEED POT 20k	1	11.70	
	36000	36000-LED4-E22	ELEC CONTROLLER UNIT	ELEC CONTROLLER UNIT	1	200.00	
	36101	36101-LAC5-E20	THROTTLE. 5K	THROTTLE. 5K	1	39.00	
	36103	36103-AAH6-E20	STAY A SPEED CONTROL	STAY A SPEED CONTROL	1	3.25	
	36108	36108-LBE1-900	LEVER RH SPEED THROTTLE	LEVER RH SPEED THROTTLE	1	6.50	
	36109	36109-LBE1-900	LEVER LH SPEED THROTTLE	LEVER LH SPEED THROTTLE	1	6.50	
	36110	36110-LAC5-E20	LED	LED	1	3.25	
	36120	36120-LAC5-900	LED HOUSE	LED HOUSE	1	3.25	
	37806	37806-AAH6-E20	VU METER LED	VU METER LED	1	13.00	
	38300	38300-LAC5-E20	RELAY COMP WINKER(24V)	RELAY COMP WINKER(24V)	1	29.25	
	38401	38401-LAE9-C00	HORN BUZZER COMP	HORN BUZZER COMP	1	6.50	

F10

Harness Wire

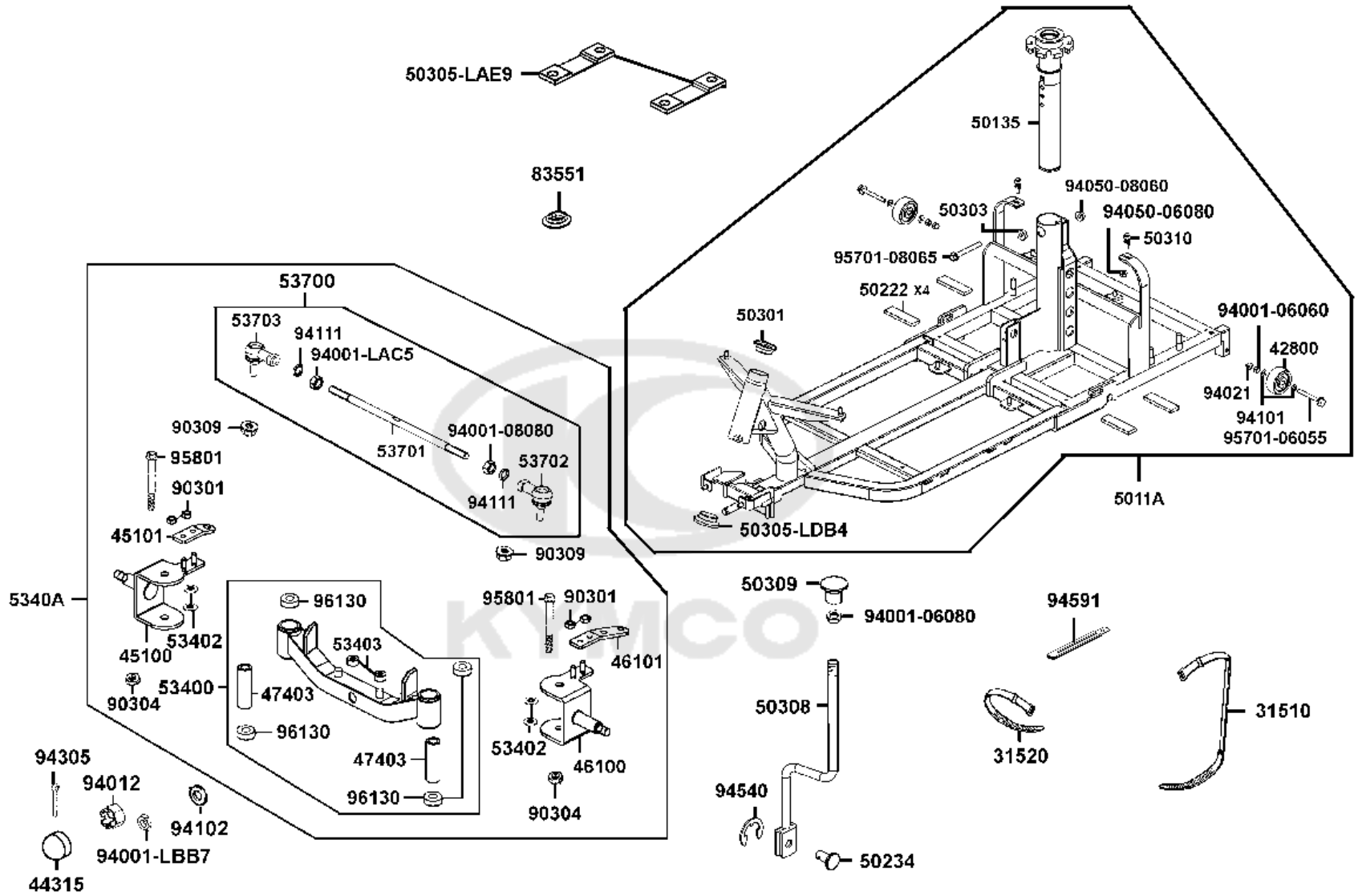




Sales mark	Ref no	Part no	Description	Reg description	Regd no	Ref Price	F10
	80101	80101-LDB4-900	COVER ELEC CONTROL UNIT	COVER ELEC CONTROL UNIT	1	11.70	
**	87508	87508-LAC5-910	LABEL BATTERY	LABEL BATTERY	1	3.25	
	93500	93500-04012-0HG	SCREW PAN 4*12	SCREW PAN 4*12	4	3.25	
	93500A	93500-04030-0HG	SCREW PAN 4*30	SCREW PAN 4*30	2	3.25	
	93600	93600-02008-0HG	SCREW FLAT 2.5*8	SCREW FLAT 2.5*8	2	3.25	
	93901	93901-32120	SCREW TAPPING 3*8 *(1) C.V.	SCREW TAPPING 3*8 *(1) C.V.	2	0.26	
	93903	93903-14380-G	SCREWTAPPING 4x12	SCREWTAPPING 4x12	1	3.25	
	94001	94001-03000-0S	NUT HEX 3MM (B)	NUT HEX 3MM (B)	2	3.25	
	94050	94050-06080-G	NUT FLANGE 6MM	NUT FLANGE 6MM	2	0.49	
	98200	98200-34000	BLADE FUSE 40A	BLADE FUSE 40A	2	1.27	

F11

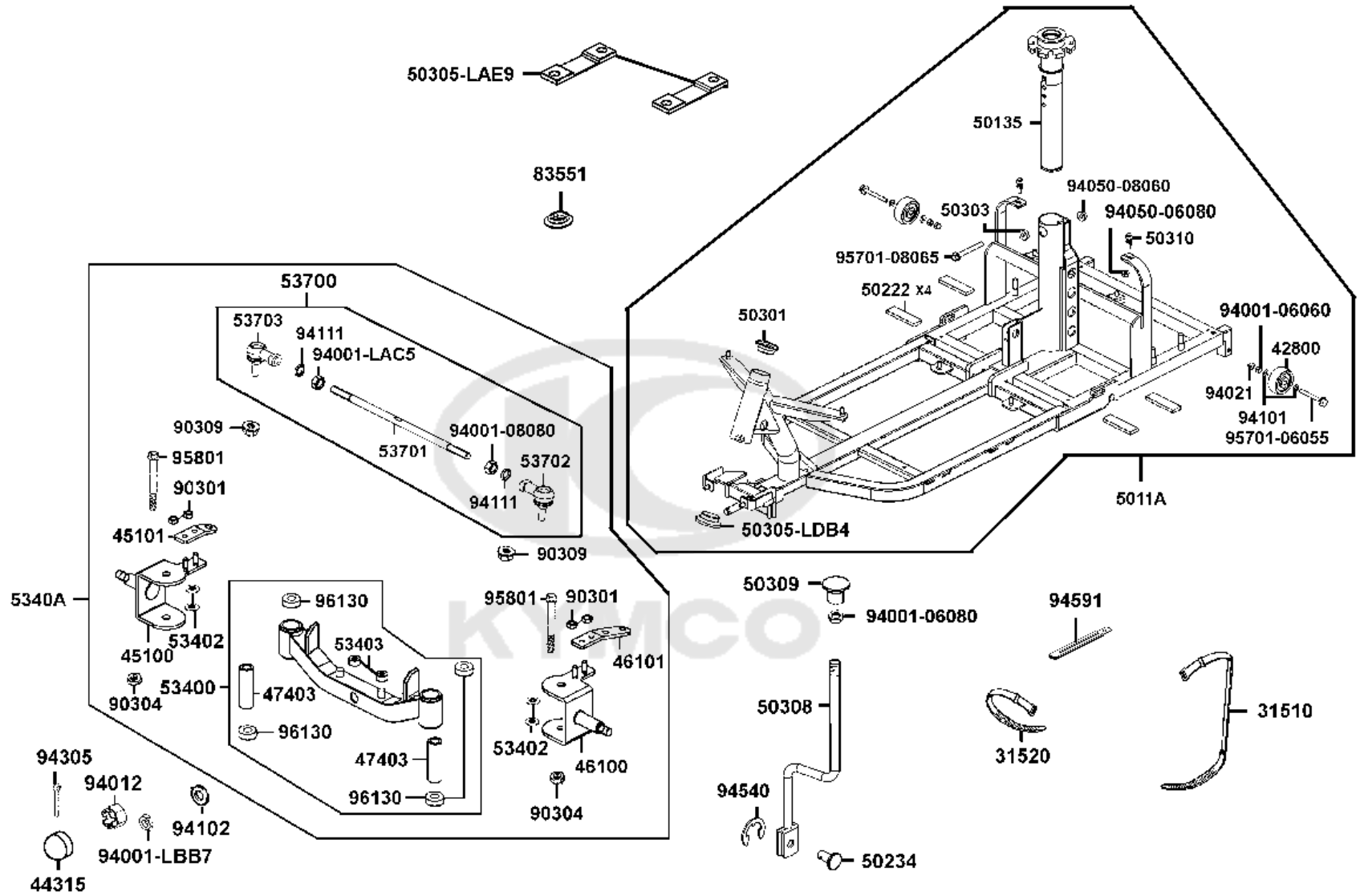
Frame Body



Sales mark	Ref no	Part no	Description	Reg description	Regd no	Ref Price	F11
	31510	31510-LAC5-900	BAND BATTERY	BAND BATTERY	1	3.25	
	31520	31520-LAC5-900	BAND B BATTERY	BAND B BATTERY	1	3.25	
	42800	42800-LAC5-900	ANTI-TIP WHEEL	ANTI-TIP WHEEL	2	3.25	
**	44315	44315-LCA1-E00	CAP FR AXLE	CAP FR AXLE	1	3.25	
	45100	45100-LAC5-710	PANEL COMP FR RH	PANEL COMP FR RH	1	7.80	
	45101	45101-LAC5-700	BAR RH STRG	BAR RH STRG	1	3.25	
	46100	46100-LAC5-710	PANEL COMP FR LH	PANEL COMP FR LH	1	7.80	
	46101	46101-LAC5-700	BAR LH STRG	BAR LH STRG	1	9.75	
	47403	47403-LBB7-E00	COLLAR STRG SHAFT	COLLAR STRG SHAFT	2	3.25	
	5011A	5011A-LAC5-E01	FRAME ASSY.	FRAME ASSY.	1	143.00	
	50135	50135-LAC5-900	PIPE B SEAT SET **(8) C.2005.09.08	PIPE B SEAT SET **(8) C.2005.09.08	1	18.20	
	50222	50222-LAC5-900	RUBBER BATTERY SET	RUBBER BATTERY SET	4	3.25	
	50234	50234-LBE1-910	SHAFTN BRAKE LEAVE	SHAFTN BRAKE LEAVE	1	9.10	
	50301	50301-LHD7-900	HEAD CUP TOP 1"	HEAD CUP TOP 1"	1	3.25	
	50303	50303-LAC5-900	COLLAR SEAT SET PIPE	COLLAR SEAT SET PIPE	1	3.25	
	50305-LAE9	50305-LAE9-E00	RUBBER MOTOR	RUBBER MOTOR	2	4.55	
	50305-LDB4	50305-LDB4-004	RACE UNDER STRG BALL	RACE UNDER STRG BALL	1	3.25	
	50308	50308-LAC5-900	BAR BRAKE LEAVE	BAR BRAKE LEAVE	1	3.25	
	50309	50309-LAC5-900	BRAKE LEAVE KNOB	BRAKE LEAVE KNOB	1	3.25	
	50310	50310-LAC5-900	BOLT LOCK PIN	BOLT LOCK PIN	2	3.25	

F11

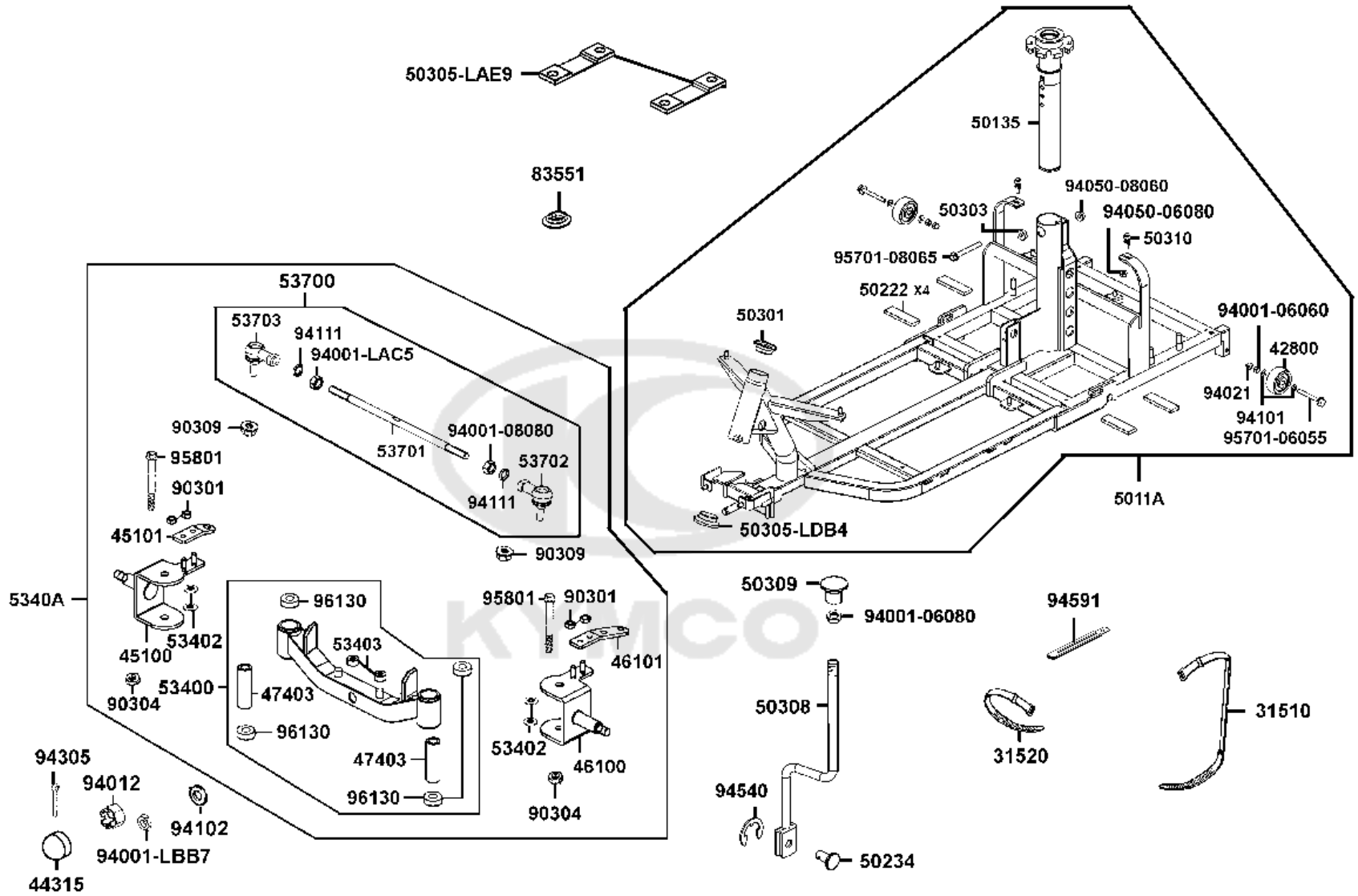
# Frame Body



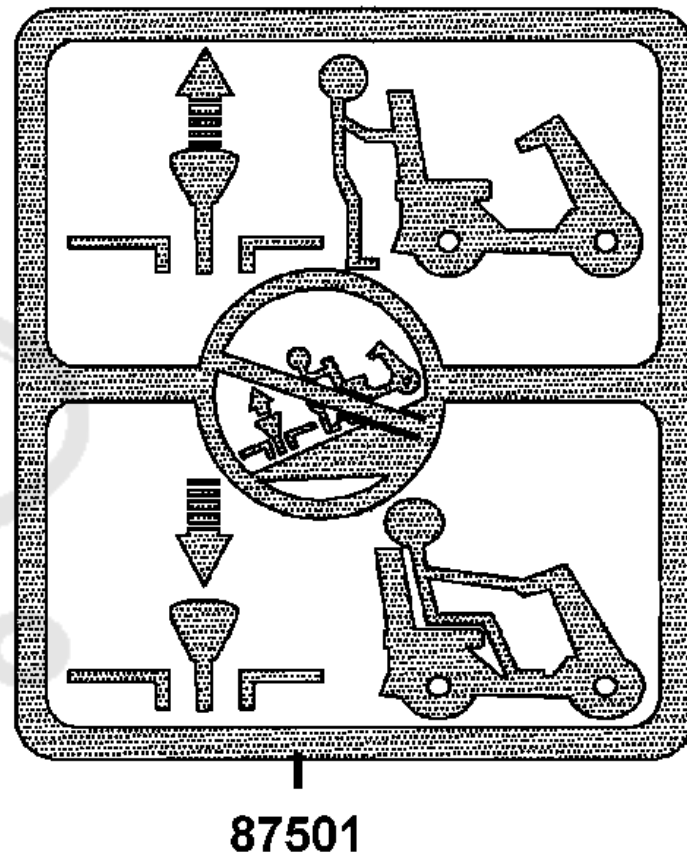
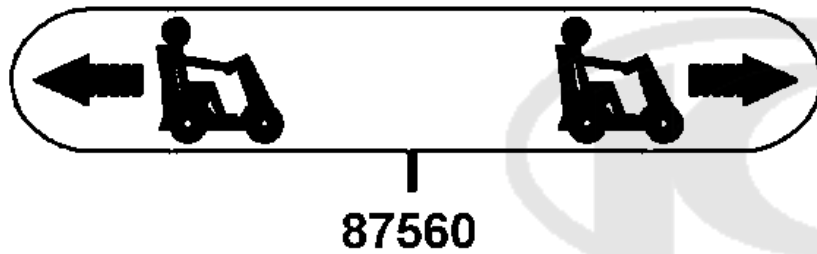
Sales mark	Ref no	Part no	Description	Reg description	Regd no	Ref Price	F11
	53400	53400-LAC5-E20	ARM ASSY SWING	ARM ASSY SWING	1	40.03	
	53402	53402-LBB7-E00	WASHER	WASHER	4	3.25	
	53403	53403-LBB7-E00	RUBBER SWING ARM	RUBBER SWING ARM	2	3.25	
	5340A	5340A-LAC5-E20	ARM SET ,SWING	ARM SET ,SWING	1	70.00	
	53700	53700-LAC5-700	ROAD ASSY STEERING alt 53700-LAC5	ROAD ASSY STEERING alt 53700-LAC5-	1	13.00	
	53701	53701-LAC5-700	ROD COMP SWING	ROD COMP SWING	1	16.25	
	53702	53702-LAC5-900	BALL JOINT R	BALL JOINT R	1	6.50	
	53703	53703-LAC5-900	JOINT L BALL	JOINT L BALL	1	16.25	
	83551	83551-LDB4-E20	GROMMET.COVER ALT 83551-KKAK-	GROMMET.COVER ALT 83551-KKAK-900	1	3.25	
	90301	90301-LDB4-900	NUT U 6MM(G)	NUT U 6MM(G)	4	3.25	
	90304	90304-LDB4-90A	NUT U FLANGE 10MM	NUT U FLANGE 10MM	2	3.25	
	90309	90309-LDB4-90A	NUT U FLANGE 8MM	NUT U FLANGE 8MM	2	3.25	
	94001-06060	94001-06060-0SG	NUT HEX 6MM	NUT HEX 6MM	3	3.25	
	94001-06080	94001-06080-0SG	NUT HEX 6MM	NUT HEX 6MM	1	3.25	
	94001-08080	94001-08080-0S	NUT HEX 8MM	NUT HEX 8MM	1	0.49	
	94001-LAC5	94001-LAC5-900	NUT HEX 8MM L	NUT HEX 8MM L	1	0.55	
	94001-LBB7	94001-LBB7-E00	NUT HEX SPECIAL 12MM	NUT HEX SPECIAL 12MM	1	3.25	
	94012	94012-12080-0SG	NUT CASTLE 12MM	NUT CASTLE 12MM	1		
	94021	94021-06060-0SG	NUT HEX CAP 6MM	NUT HEX CAP 6MM	2	3.25	
	94050-06080	94050-06080-G	NUT FLANGE 6MM	NUT FLANGE 6MM	2	0.49	

F11

Frame Body



Sales mark	Ref no	Part no	Description	Reg description	Regd no	Ref Price	F11
	94050-08060	94050-08060-G	NUT FLANGE 8MM	NUT FLANGE 8MM	1	3.25	
	94101	94101-06800-G	WASHER PLAN 6MM	WASHER PLAN 6MM	4	0.12	
	94102	94102-12800-G	WASHER PLAIN 12MM	WASHER PLAIN 12MM	2	3.25	
	94111	94111-08800	WASHER SPRING 8MM	WASHER SPRING 8MM	2	0.33	
	94305	94305-LAC5-700	PIN SPG ,3.3X18	PIN SPG ,3.3X18	1	3.25	
	94540	94540-05020	E RING 5	E RING 5	1	3.25	
	94591	94591-27000	CLIP 2*70	CLIP 2*70	1	0.41	
	95701-06055	95701-06055-08G	BOLT FLANGE 68*55	BOLT FLANGE 68*55	2	0.49	
	95701-08065	95701-08065-08G	BOLT FLANGE 8X65	BOLT FLANGE 8X65	1	3.25	
	95801	95801-10080-08G	BOLT FLANGE 10X80	BOLT FLANGE 10X80	2	3.25	
	96130	96130-60000-00	BEARING 6000Z	BEARING 6000Z	4	3.25	





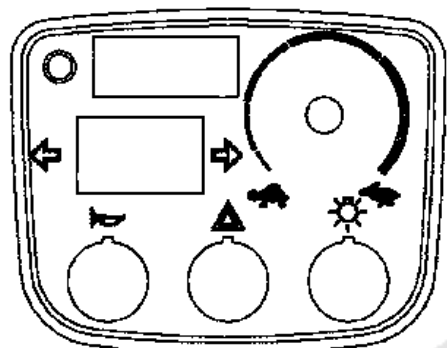
Sales mark	Ref no	Part no	Description	Reg description	Regd no	Ref Price	<b>F12</b>
------------	--------	---------	-------------	-----------------	---------	-----------	------------

**	87501	87501-LAC5-900	USE CAUTION SILVER	USE CAUTION SILVER	1	3.25	
**	87560	87560-LAC5-900	MARK DRIVE CAUTION	MARK DRIVE CAUTION	1	3.25	

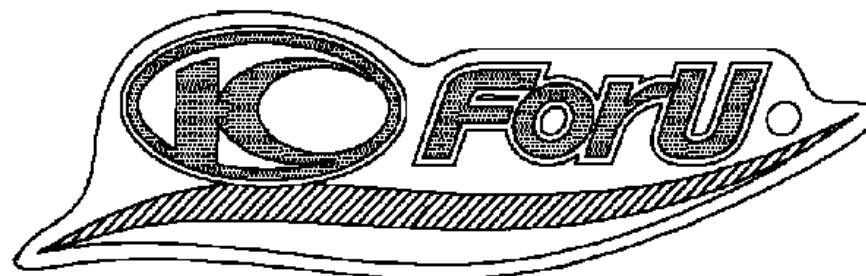


F13

Mark



86444



86211



87532



86201

Sales mark	Ref no	Part no	Description	Reg description	Regd no	Ref Price	<b>F13</b>
------------	--------	---------	-------------	-----------------	---------	-----------	------------

**	86201	86201-LAC5-E20	STRIPE SUPER 4	STRIPE SUPER 4	1	3.25	
**	86444	86444-LAC5-900	EMB METER	EMB METER	1	6.50	
**	87532	87532-KGAG-V00	MARK KYMCO	MARK KYMCO	1	3.25	



F14

KEY COMP

35111



Sales mark	Ref no	Part no	Description	Reg description	Regd no	Ref Price	<b>F14</b>
------------	--------	---------	-------------	-----------------	---------	-----------	------------

35111	35111-KNBN-920	KEY COMP	KEY COMP	KEY COMP	1	5.85	
-------	----------------	----------	----------	----------	---	------	--



## PART NO. INDEX

PART NO.	VERSION	PAGE	PART NO.	VERSION	PAGE	PART NO.	VERSION	PAGE
<b>11000</b>			32101-LDB4-E23	0	F10			
			3210A-LDB4-E23	5	F10	<b>34000</b>		
			32201-LAC5-900-R	7	F10			
1110A-LAC5-700	5	E01	32620-LAC5-900	5	F10	34903-LAC5-900	1	F09
11302-LAC5-900	0	E01				34905-LAC5-900	1	F09
			<b>33000</b>					
<b>13000</b>						<b>35000</b>		
			33400-LAC5-E20	0	F09			
13331-LAC5-900	0	E01	33401-LAC5-900	1	F09	35010-LAC5-E00	2	F10
			33404-LAC5-900	2	F09	35110-LAC5-900-R	5	F01
<b>31000</b>			33407-AAH6-E20	4	F09	35111-KNBN-920	0	F14
			33408-AAH6-E20	6	F09	35115-LAC5-E20	3	F10
31280-LAC5-E20	2	F10	33450-LAC5-E20	0	F09	35150-LAC5-900-R	4	F01
31300-LAC5-920	1	E01	33451-LAC5-900	1	F09	35180-LAC5-E20	3	F01
31340-LAC5-900	0	E01	33454-LAC5-900	2	F09	35200-LAC5-E20-R	4	F01
31345-LAC5-305	0	E01	33600-LAC5-900	7	F09			
31347-LAC5-305	0	E01	33601-LAC5-900	3	F09	<b>36000</b>		
31350-LAC5-900	0	E01	33604-LAC5-900	2	F09			
31500-LAC5-900	3	F07	33650-LAC5-900	7	F09	36000-LED4-E22	7	F10
31510-LAC5-900	4	F11	33651-LAC5-900	3	F09	36101-LAC5-E20	3	F10
31520-LAC5-900	3	F11	33654-LAC5-900	2	F09	36103-AAH6-E20	4	F10
31800-LAC5-E21	4	F10	33710-LAC5-900	3	F10	36108-LBE1-900	2	F10
			33741-GFY6-C30	1	F08	36109-LBE1-900	2	F10
<b>32000</b>			33741-LBB7-E70	1	F06	36110-LAC5-E20	3	F10
						36120-LAC5-900	2	F10
32100-LAC5-E21	0	F10						

## PART NO. INDEX

PART NO.	VERSION	PAGE	PART NO.	VERSION	PAGE	PART NO.	VERSION	PAGE
<b>37000</b>	6	F10	44702-LAC5-930	2	F05	50160-LAC5-900	7	F01
			44705-LAC5-900	7	F04	50222-LAC5-900	3	F11
			44710-LAC5-920	3	F04	50227-LAC5-700	6	F08
			44710-LAC5-920	3	F05	50234-LBE1-910	2	F11
			44712-LAC5-900	2	F04	50301-LHD7-900	2	F11
<b>38000</b>	2	F10	44712-LAC5-900	2	F05	50303-LAC5-900	4	F11
						50305-LAE9-E00	3	F11
38300-LAC5-E20	2	F10	<b>45000</b>			50305-LDB4-004	1	F11
38401-LAE9-C00	9	F10				50306-LHD7-900	3	F03
<b>42000</b>	3	F05	45100-LAC5-710	4	F11	50308-LAC5-900	6	F11
			45101-LAC5-700	2	F11	50309-LAC5-900	3	F11
42315-LAC5-900	3	F05	<b>46000</b>			50310-LAC5-900	4	F11
42705-LAC5-900	5	F05				50350-LDB4-900	2	E01
4270A-LAC5-900	6	F05	46100-LAC5-710	4	F11	<b>53000</b>		
42800-LAC5-900	6	F11	46101-LAC5-700	2	F11			
<b>44000</b>	3	F04	<b>47000</b>			53100-LAC5-E01	1	F01
						53102-LDE5-900	3	F01
44315-LAC5-900	3	F04	47403-LBB7-E00	5	F11	5310C-LAC5-E01	1	F01
44315-LCA1-E00	2	F11				5311A-LDE5-910	1	F01
44620-LAC5-900	5	F04	<b>50000</b>			53166-LAC5-911	1	F01
44650-LAC5-710	3	F04				53196-LAC5-900	4	F01
44701-LAC5-930	2	F04	5011A-LAC5-E01	4	F11	53200-LAC5-810	7	F03
44701-LAC5-930	2	F05	50135-LAC5-900	9	F11	53202-LAC5-E00	5	F01
44702-LAC5-930	2	F04	50150-LAC5-910	0	F01	53204-LBB6-900	1	F01
						53205-LAC5-900	5	F01

## PART NO. INDEX

PART NO.	VERSION	PAGE	PART NO.	VERSION	PAGE	PART NO.	VERSION	PAGE
53207-LAC5-900	8	F01						
53208-LAC5-E00	2	F01	<b>77000</b>			<b>86000</b>		
53209-LAC5-810	0	F01						
53211-LHD7-900	2	F03	77100-LAC5-810	2	F06	86201-LAC5-E20	0	F13
53212-LDB4-004	1	F03	77200-LAC5-510	0	F06	86211-LDB4-900	5	F13
5321A-LAC5-900	0	F01	77205-LAC5-900	5	F06	86444-LAC5-900	9	F13
53400-LAC5-E20	3	F11	77206-LAC5-900	3	F06			
53402-LBB7-E00	5	F11	77223-LAC5-305	2	F06	<b>87000</b>		
53403-LBB7-E00	1	F11	77223-LDB4-305	1	F06			
5340A-LAC5-E20	4	F11	77300-LAC5-810	2	F06	87501-LAC5-900	7	F12
53700-LAC5-700	4	F11				87508-LAC5-910	2	F10
53701-LAC5-700	4	F11	<b>80000</b>			87532-KGAG-V00	6	F13
53702-LAC5-900	6	F03				87560-LAC5-900	4	F12
53702-LAC5-900	6	F11	80100-LAC5-900	0	F08			
53703-LAC5-900	6	F03	80101-LDB4-900	5	F10	<b>90000</b>		
53703-LAC5-900	6	F11	80200-LAC5-900	0	F08			
53800-LAC5-700-R	4	F03				90023-LAC5-001	1	F02
53801-LAC5-700	4	F03	<b>83000</b>			90105-LAC5-900	4	F04
						90105-LAC5-900	4	F05
<b>64000</b>			83500-LAC5-900	5	F08	90301-LAC5-001	1	F02
			83551-LBE1-900	1	F08	90301-LAC5-671	1	F02
64302-LAC5-900	5	F02	83551-LDB4-E20	1	F11	90301-LDB4-900	3	F11
64310-LAC5-900	5	F02	83600-LAC5-900	7	F08	90302-GFY6-911	1	F01
64316-LAC5-900	2	F02	83600-LAC5-910	0	F08	90302-KEC8-910	1	F01
64320-LAC5-900	2	F02				90302-LAC5-004	1	F01
64330-LAC5-900	4	F02				90302-LAC5-004	1	F02



## PART NO. INDEX

PART NO.	VERSION	PAGE	PART NO.	VERSION	PAGE	PART NO.	VERSION	PAGE
90302-SDA4-004	3	F01	93903-34380-G	0	F02	94111-08000-G	0	F04
90302-SDA4-004	3	F02	93903-34380-G	0	F08	94111-08000-G	0	F05
90304-LDB4-90A	1	F04	93903-34380-G	0	F09	94111-08800	0	F11
90304-LDB4-90A	1	F11	93903-GFY6-910	1	F01	94111-08800-0SG	0	F03
90306-LDB4-90A	1	F05				94305-LAC5-700	2	F11
90309-LDB4-90A	1	F03	<b>94000</b>			94510-19000	0	E01
90309-LDB4-90A	1	F11				94540-05020	0	F11
90653-LKB9-900	1	F08	94001-03000-0S	0	F10	94591-27000	0	F11
			94001-06060-0SG	0	F11			
<b>91000</b>			94001-06080-0SG	0	F11	<b>95000</b>		
			94001-08080-0S	0	F11			
91014-LHD7-900	2	F03	94001-08080-0SG	0	F03	95701-06055-08G	0	F11
91015-LAC5-E20	2	F03	94001-LAC5-900	2	F03	95701-08065-08G	0	F11
			94001-LAC5-900	2	F11	95801-10080-08G	0	F11
<b>93000</b>			94001-LBB7-E00	2	F11			
			94012-12080-0SG	0	F11	<b>96000</b>		
93500-04010-0HG	0	F01	94021-06060-0SG	0	F11			
93500-04012-0HG	0	F10	94021-08000-0SG	0	F04	96130-60000-00	0	F11
93500-04030-0HG	0	F10	94021-08000-0SG	0	F05	96130-60020-10	0	F04
93600-02008-0HG	0	F10	94050-06080-G	1	F08	96600-06060-08G	1	E01
93891-04012-06	0	E01	94050-06080-G	1	F10			
93901-32120	1	F10	94050-06080-G	1	F11	<b>98000</b>		
93901-32310	0	F09	94050-08060-G	0	F11			
93903-14380-G	0	F02	94050-08080-G	1	E01	98200-34000	0	F10
93903-14380-G	0	F10	94101-06800-G	1	F11			
93903-34380-G	0	F01	94102-12800-G	0	F11			