

# PARTS CATALOGUE



## MOBILITY SCOOTER

EQ30FA(UK)

KOMFY 4



Release Date : 2019/08/05  
Print Date : 2019/11/01

## ABOUT THIS PARTS LIST

- This parts list is compiled all service parts for model EQ30FA(UK).
- Any difference between color chart and motorcycle will be revised according to motorcycle.
- The Mark:
  1. Marking "\*\*\*" must add color code in the end before ordering parts.
  2. Marking "#" are parts with modification, Please find the details from e-Parts system.
- When modification or additions to this parts list are made a revised edition at an appropriate time.

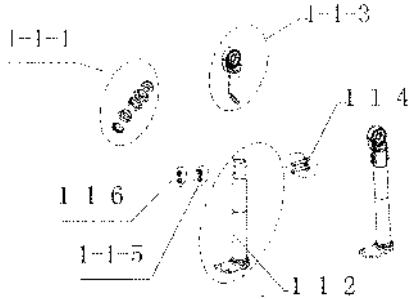
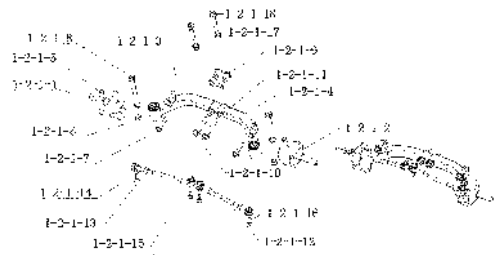
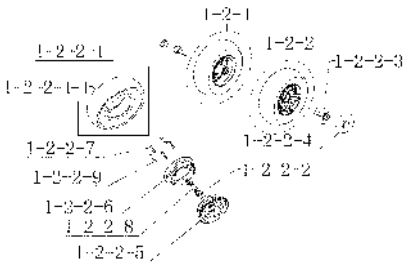

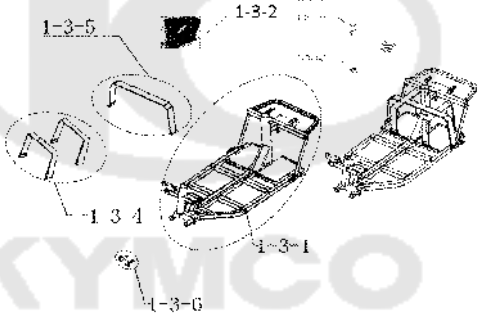
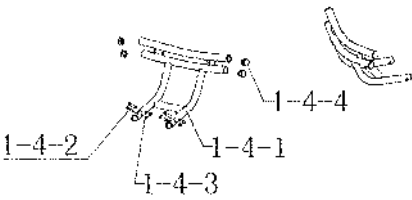


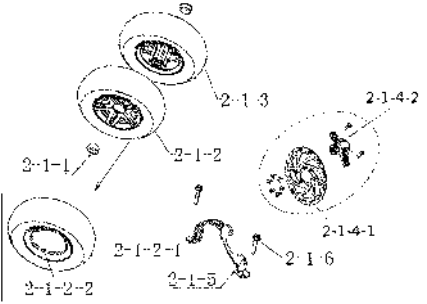


# CONTENTS

● ABOUT THIS PARTS LIST .....	1
● COLOR CHART OF EQ30FA(UK) .....	3
● CONTENTS-ENGINE GROUP .....	4
● CONTENTS-FRAME GROUP .....	4
● ENGINE PARTS LIST .....	7
● FRAME PARTS LIST .....	7
● PART NO. INDEX .....	45

NO	MODEL			COLOR CHART OF EQ30FA(UK)							
	PHOTO NO			NO. 1	NO. 2	NO. 3	NO. 4				
	BASIC COLOR			Bright Blue	Dark Red	Black	Bright Silver				
	CODE			Bright Blue	Dark Red	Black	Bright Silver				
	PARTS NAME	PARTS NO.	VERSION	PB107MA	RR157MA	NH001SA	NH045MA				
1	COVER FR.	64301-AGF1-E00	0	BAP	EKP	N1P	N8P				
2	COVER FR. FLOOR	64340-AGF1-E00	0								
3	COVER MIDDLE BODY	83600-AGF1-E00	0								
4	COVER METER	37203-AGF1-E00	0								
5	FLOOR PANEL	64310-AGF1-E00	0	N1R							
6	FENDER RR TIRE	80100-AGF1-E00	0								
7	LEG SHIELD	81131-AGF1-E00	0								
8	COVER UP BODY	83500-AGF1-E00	0								
9	COVER LOW BODY	83750-AGF1-E00	0								
10	TOOTH UP ADJUST	53101-AGF1-E00	0					N1S			
11	WHEEL ASSY RR R	42500-AGF1-E00	0					NJS			
12	WHEEL ASSY RR L	42600-AGF1-E00	0					T01			
13	STRIPE FR COVER	86101-AGF1-E20	0								
14	LABEL ELEC CONTROL	87502-AGF1-E00	0								
15	CAUTION LOCK	87541-LAE9-E00	1	T02							
16	MAR DRIVE CAUTION	87560-LAC5-900	4								
17	USE CAUTION	87501-LED5-910	1	T03							
18	EMB K-LOGO '30MM	86102-LCA5-900	4								
19	CUSHION ASSY FR	51400-AGF1-E00	0	X7S							
DATE OF STARTING-SALES											
DATE OF END-SALES											

## CONTENTS - FRAME GROUP

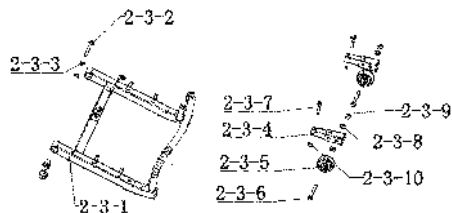
<p><b>F01</b>    Steering Stem</p>	<p><b>F02</b>    Swing Arm Set</p>	<p><b>F03</b>    Front Wheel</p>
		
<p><b>F04</b>    Front Cushion</p>	<p><b>F05</b>    Front Body</p>	<p><b>F06</b>    Front Bumper</p>
		
<p><b>F07</b>    Body Cover Floor</p>	<p><b>F08</b>    Battery ECU</p>	<p><b>F09</b>    Rear Wheel</p>
		

## CONTENTS - FRAME GROUP

**F10** Mission Motor



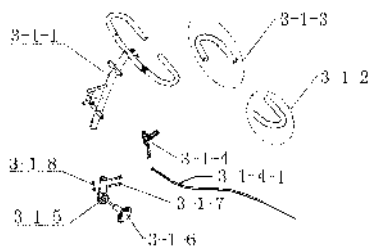
**F11** Rear Fork



**F12** Rear Cushion



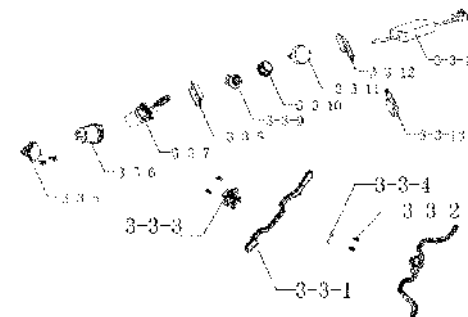
**F13** Handle Bar



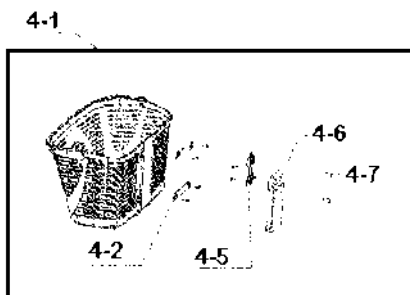
**F14** Front Cover



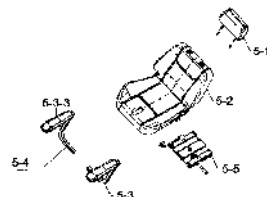
**F15** Throttle Lever



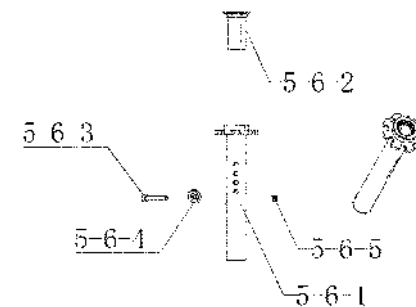
**F16** Basket



**F17** Seat Set

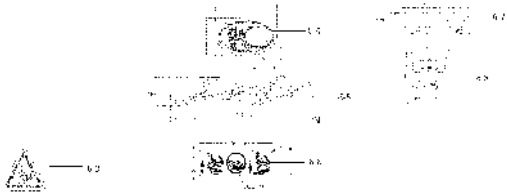


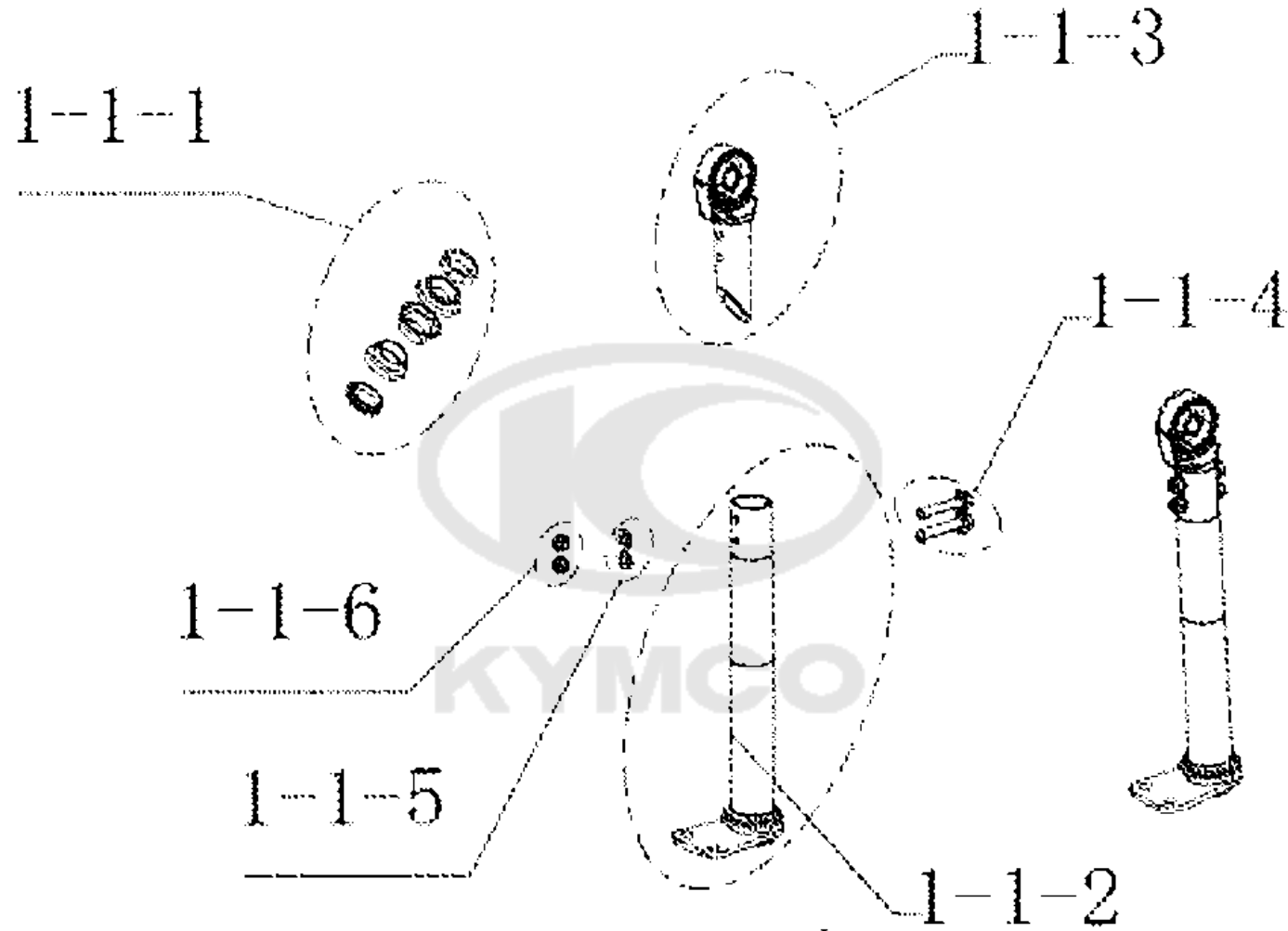
**F18** Seat Pipe Set




**CONTENTS - FRAME GROUP**

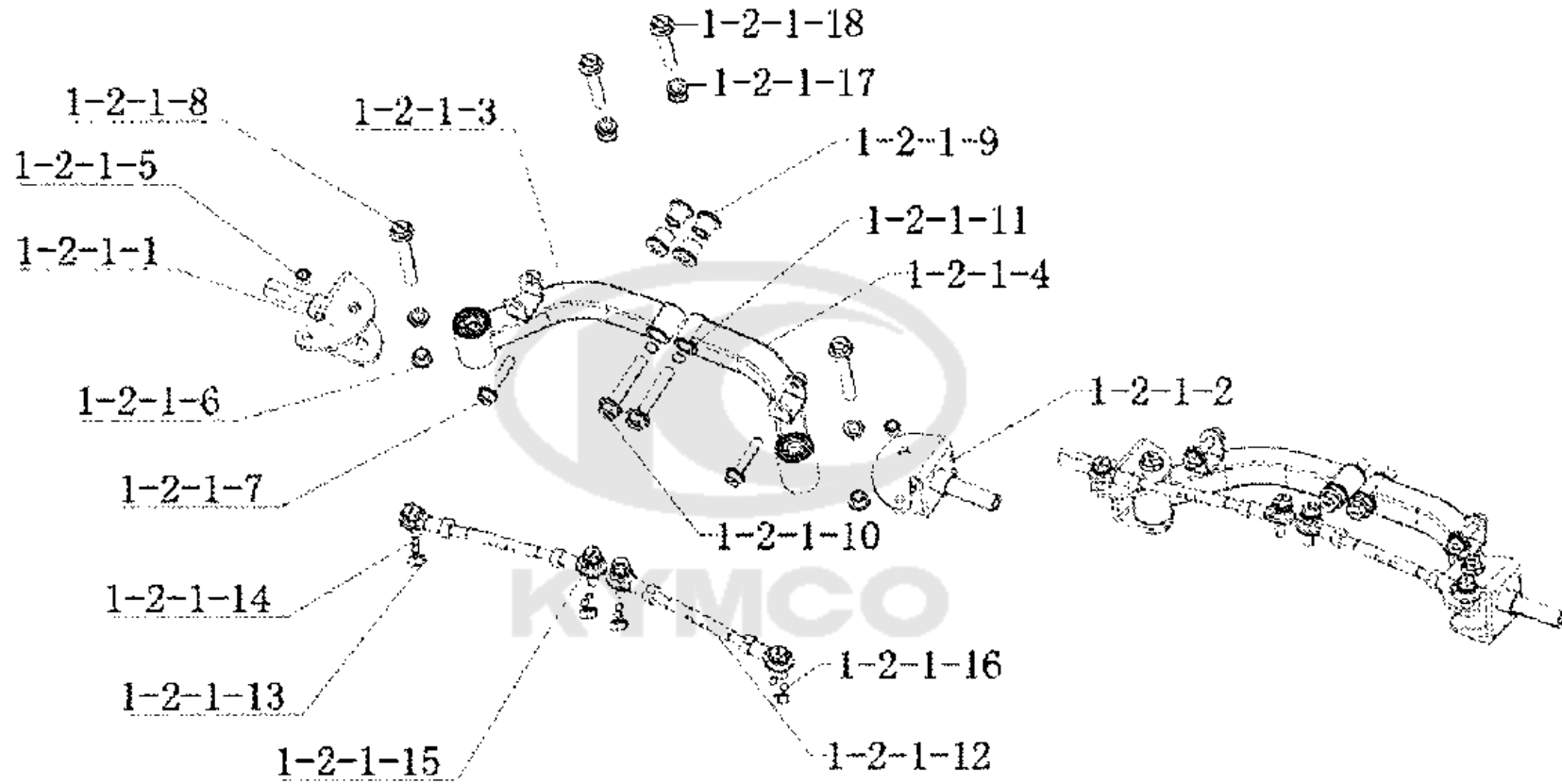
**F19** Stripe



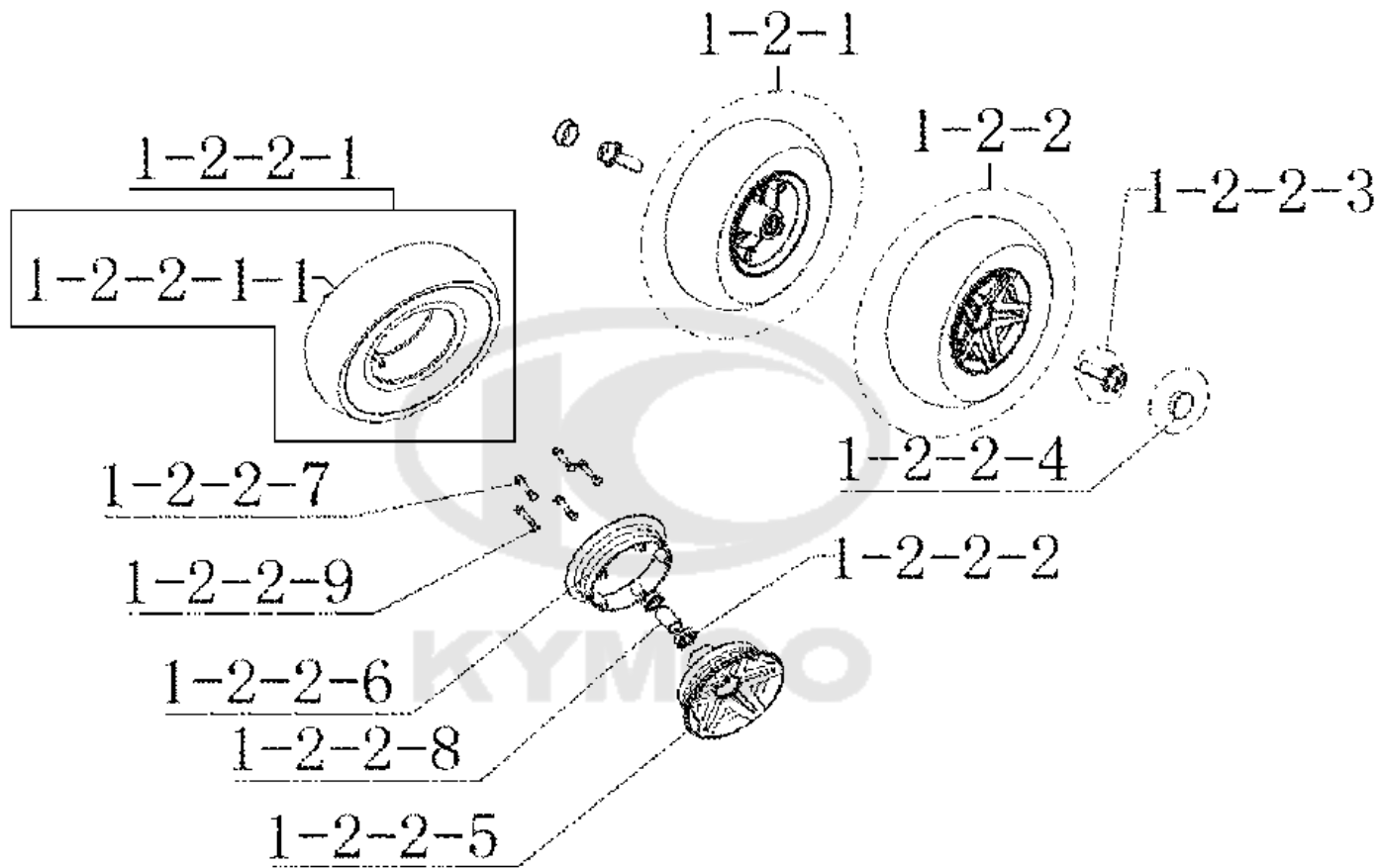




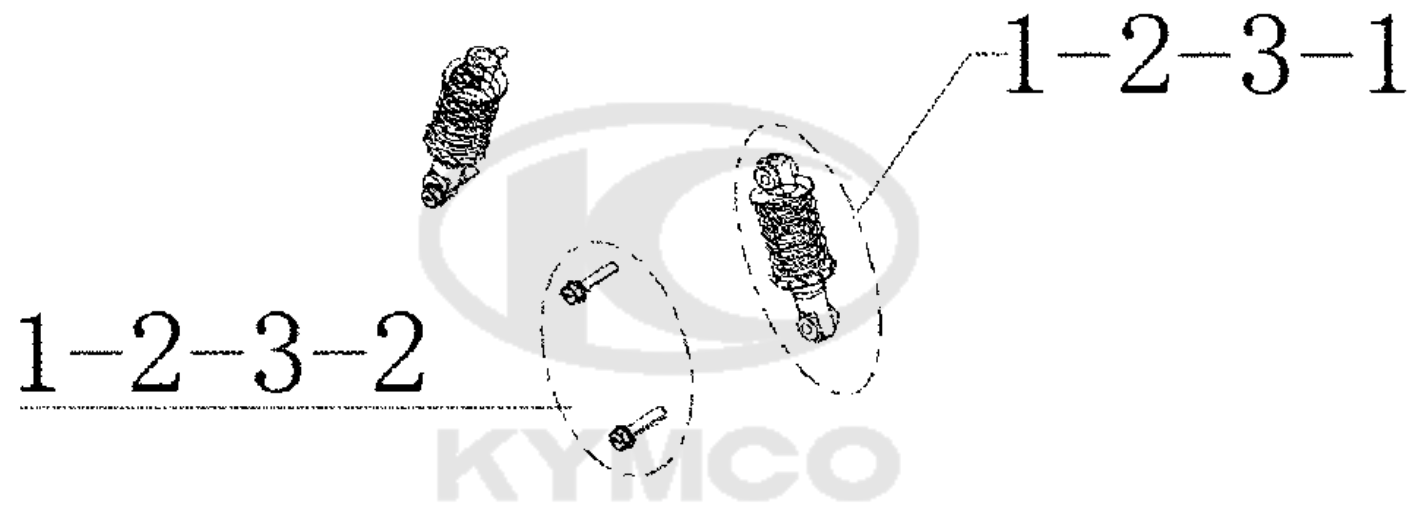
Sales mark	Ref no	Part no	Description	Reg description	Regd no	Ref Price	F01
	1-1-1	5030A-AGF1-E00	RACE ASSY STRG	RACE ASSY STRG	1	8.87	
	1-1-3	53102-AGF1-E00	TOOTH UNDER ADJUST	TOOTH UNDER ADJUST	1	9.75	
	1-1-2	53200-AGF1-E00	STEM COMP STRG	STEM COMP STRG	1	19.50	
	1-1-6	94001-06060-0S	NUT HEX 6MM	NUT HEX 6MM	2	3.25	
	1-1-5	94101-06800	WASHER PLAIN 6MM **06080	WASHER PLAIN 6MM **06080 C.97.01.01	2	0.12	
	1-1-4	95701-06035-08G	BOLT FLANGE 6*35	BOLT FLANGE 6*35	2	3.25	
							



Sales mark	Ref no	Part no	Description	Reg description	Regd no	Ref Price	F02
	1-2-1-1	47401-AGF1-E00	SHAFT COMP RH STEERING	SHAFT COMP RH STEERING	1	16.25	
	1-2-1-2	47501-AGF1-E00	SHAFT COMP LH STEERING	SHAFT COMP LH STEERING	1	16.25	
	1-2-1-3	53400-AGF1-E00	ARM ASSY R SWING	ARM ASSY R SWING	1	40.00	
	1-2-1-6	53402-AGF1-E00	WASHER SHAFT	WASHER SHAFT	4	3.25	
	1-2-1-9	53403-AGF1-E00	COLLAR SWING ARM	COLLAR SWING ARM	4	3.25	
	1-2-1-4	53500-AGF1-E00	ARM ASSY L SWING	ARM ASSY L SWING	1	40.00	
	1-2-1-12	53800-AGF1-E00	ROD ASSY STRG	ROD ASSY STRG	2	13.00	
	1-2-1-5	53805-AGF1-E00	COLLAR STRG ROD	COLLAR STRG ROD	2	3.25	
	1-2-1-13	94050-08060	NUT FLANGE 8MM	NUT FLANGE 8MM	4	0.49	
	1-2-1-17	94050-10060	NUT FLANGE 10MM	NUT FLANGE 10MM	2	0.85	
	1-2-1-14	94101-08800	WASHER PLAIN 8MM	WASHER PLAIN 8MM	4	0.51	
	1-2-1-16	94111-08600	WASHER SPG 8MM	WASHER SPG 8MM	4	3.25	
	1-2-1-11	94111-10800	WASHER SPG 10MM	WASHER SPG 10MM	2	0.17	
	1-2-1-15	95701-08030-06	BOLT FLANGE 8*30 **07 C.2005.07.01	BOLT FLANGE 8*30 **07 C.2005.07.01	2	0.50	
	1-2-1-7	95801-08040-06	BOLT FLANGE 8*40	BOLT FLANGE 8*40	4	0.68	
	1-2-1-18	95801-08057-08G	BOLT FLANGE 8*57	BOLT FLANGE 8*57	2	3.25	
	1-2-1-10	95801-10055-06	BOLT FLANGE 10*55	BOLT FLANGE 10*55	2	0.68	
	1-2-1-8	95801-10075-06	BOLT FLANGE 10x75 (G)	BOLT FLANGE 10x75 (G)	2	0.83	



Sales mark	Ref no	Part no	Description	Reg description	Regd no	Ref Price	F03
	1-2-2-4	44315-AGF1-E00	CAP FR AXLE	CAP FR AXLE	2	3.25	
	1-2-1	44500-AGF1-E00	WHEEL ASSY FRONT R	WHEEL ASSY FRONT R	1	39.00	
	1-2-2	44600-AGF1-E00	FRONT WHEEL ASSY L	FRONT WHEEL ASSY L	1	39.00	
	1-2-2-8	44620-AGF1-E00	DIST COLLAR,FR WHEEL	DIST COLLAR,FR WHEEL	2	3.25	
	1-2-2-5	44701-AGF1-E00	RIM EXTR FR	RIM EXTR FR	2	13.00	
	1-2-2-6	44702-AGF1-E00	RIM INTR	RIM INTR	2	13.00	
	1-2-2-1	44710-AGF1-E00	TIRE ASSY	TIRE ASSY	2	22.00	
	1-2-2-1-1	44712-AGF1-E00	INNER TUBE	INNER TUBE	2	7.22	
	1-2-2-9	94111-06800	WASHER SPRING 6MM	WASHER SPRING 6MM	10	0.16	
	1-2-2-3	95701-10020-06	BOLT FLANGE 10*20	BOLT FLANGE 10*20	2	0.50	
	1-2-2-2	96130-69020-00	BEARING 6902ZZ	BEARING 6902ZZ	4	3.25	
	1-2-2-7	96700-06025-06	SOCKET BOLT 6*25(G)	SOCKET BOLT 6*25(G)	10	0.50	



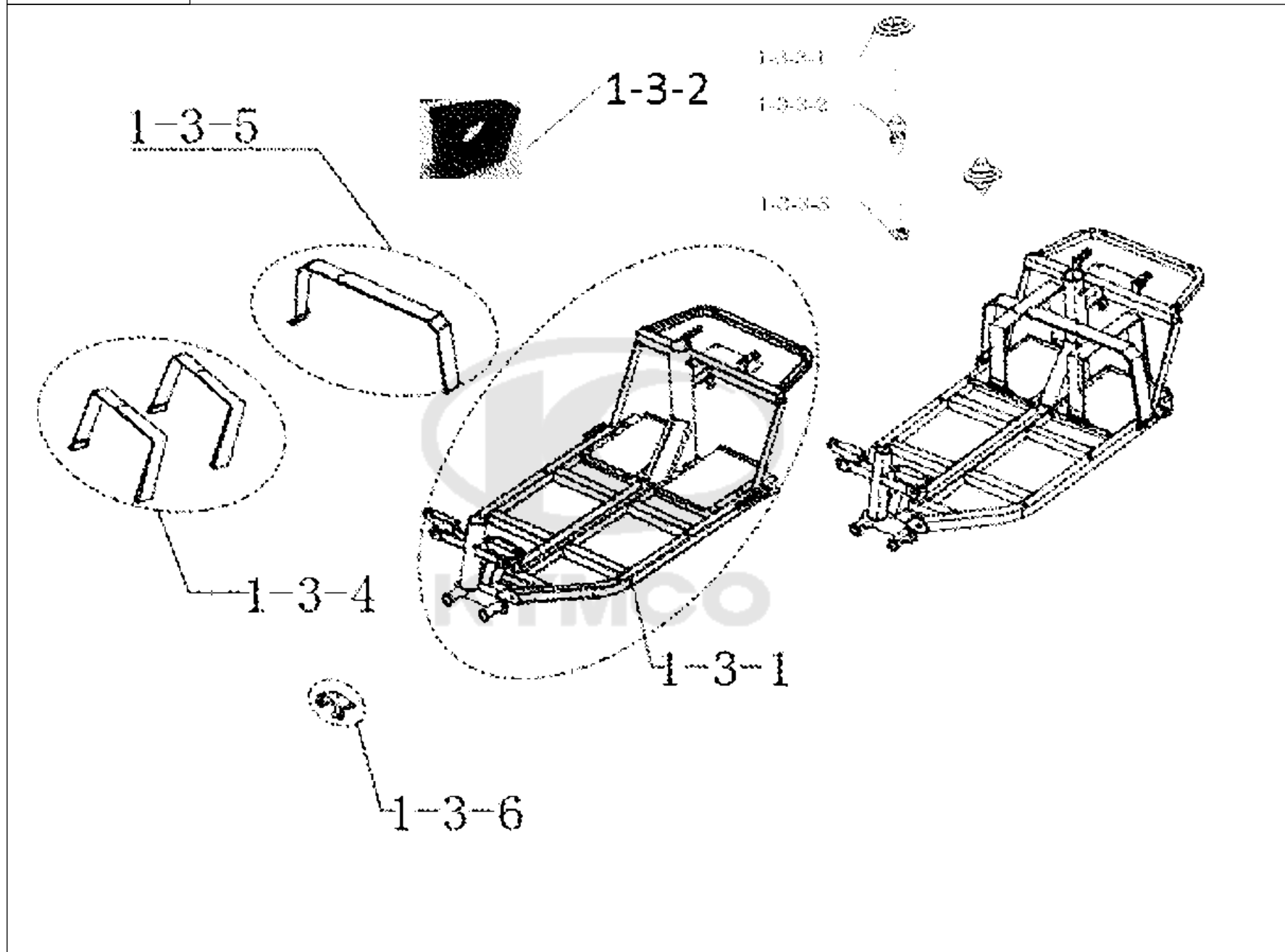
Sales mark	Ref no	Part no	Description	Reg description	Regd no	Ref Price	<b>F04</b>
------------	--------	---------	-------------	-----------------	---------	-----------	------------

**	1-2-3-1	51400-AGF1-E00	CUSHION ASSY FR	CUSHION ASSY FR	2	27.30	
	1-2-3-2	95801-08030-06	BOLT FLANGE 8*30	BOLT FLANGE 8*30	2	0.50	



F05

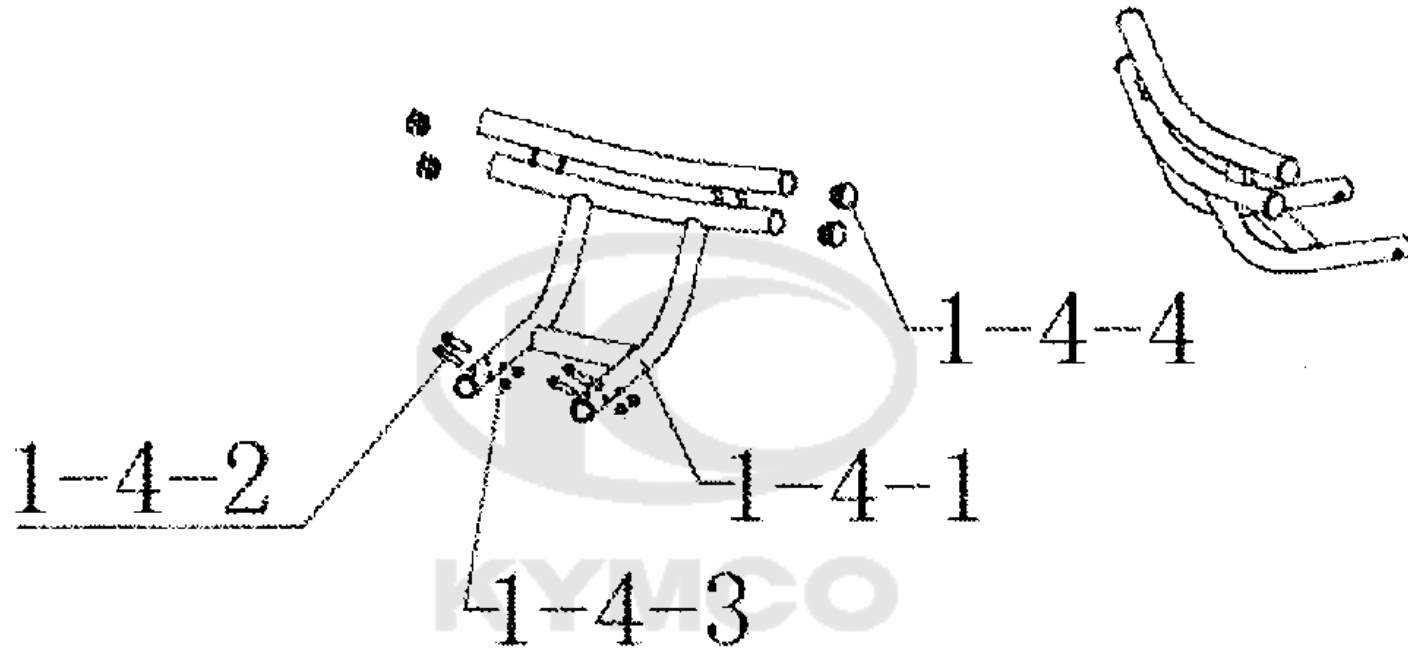
Front Body





Sales mark	Ref no	Part no	Description	Reg description	Regd no	Ref Price	<b>F05</b>
	1-3-4	31510-AGF1-E00	BAND A BATTERY	BAND A BATTERY	1	3.25	
	1-3-5	31511-AGF1-E00	BAND B BATTERY	BAND B BATTERY	2	3.25	
	1-3-1	50100-AGF1-E00	BODY COMP.FRAME	BODY COMP.FRAME	1	243.75	
	1-3-6	50162-AGF1-E00	STAY FR. LIGHT	STAY FR. LIGHT	1	5.13	
	1-3-3-2	50310-LAC5-900	BOLT LOCK PIN	BOLT LOCK PIN	2	3.25	
	1-3-3-1	83551-LBE1-900	GROMMET ALT 83551-KKAK-900	GROMMET ALT 83551-KKAK-900	2	3.25	
	1-3-2	90661-AGF1-E00	CLIP HARNESS WIRE	CLIP HARNESS WIRE	2	3.25	
	1-3-3-3	94001-06060-0S	NUT HEX 6MM	NUT HEX 6MM	2	3.25	





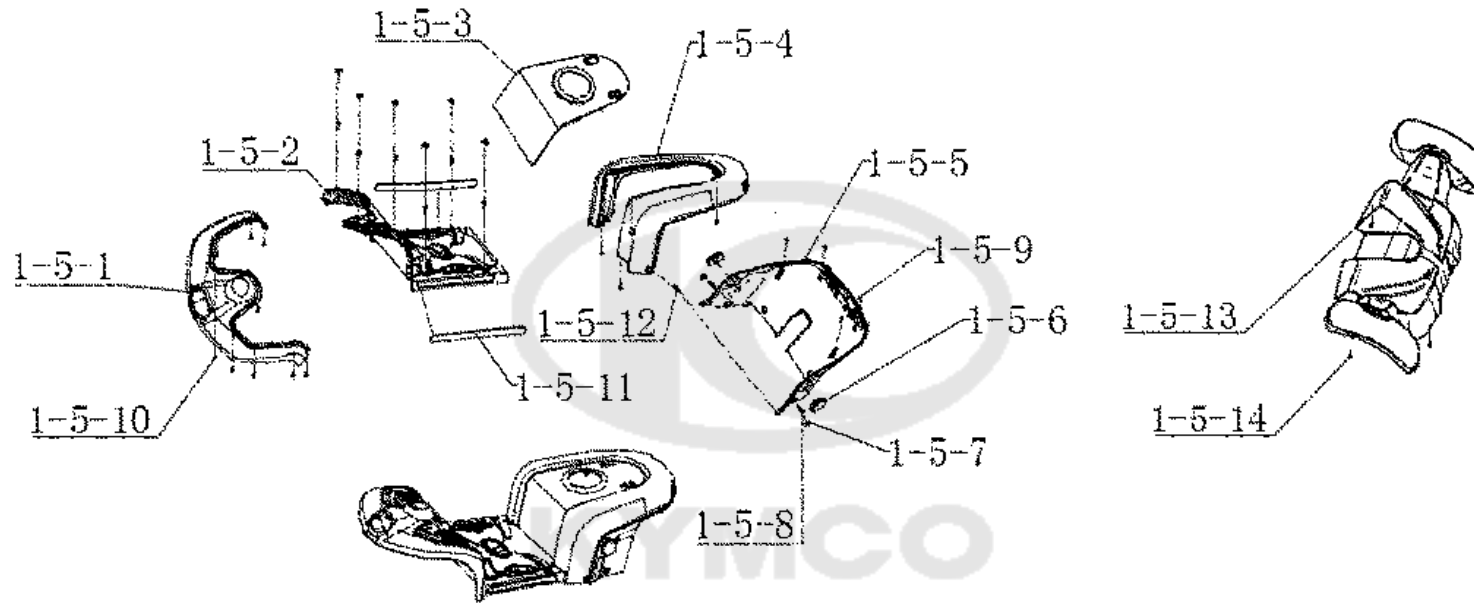
Sales mark	Ref no	Part no	Description	Reg description	Regd no	Ref Price	<b>F06</b>
------------	--------	---------	-------------	-----------------	---------	-----------	------------

	1-4-1	50169-AGF1-E00	PIPE FR. GRIP	PIPE FR. GRIP	1	18.20	
	1-4-4	85104-AGF1-E00	CAP BUMPER	CAP BUMPER	4	3.25	
	1-4-3	94001-06060-0S	NUT HEX 6MM	NUT HEX 6MM	2	3.25	
	1-4-2	95801-06030-08G	BOLT FLANGE 6*30	BOLT FLANGE 6*30	4	3.25	

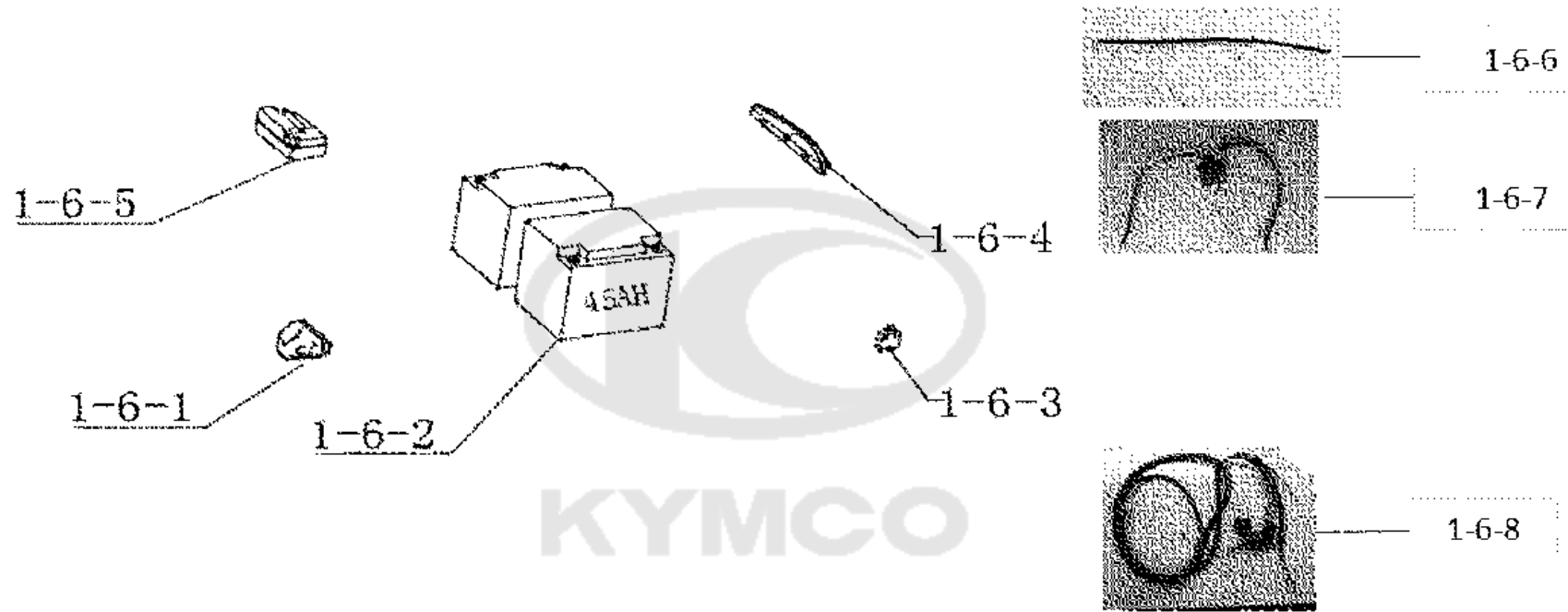


F07

Body Cover Floor

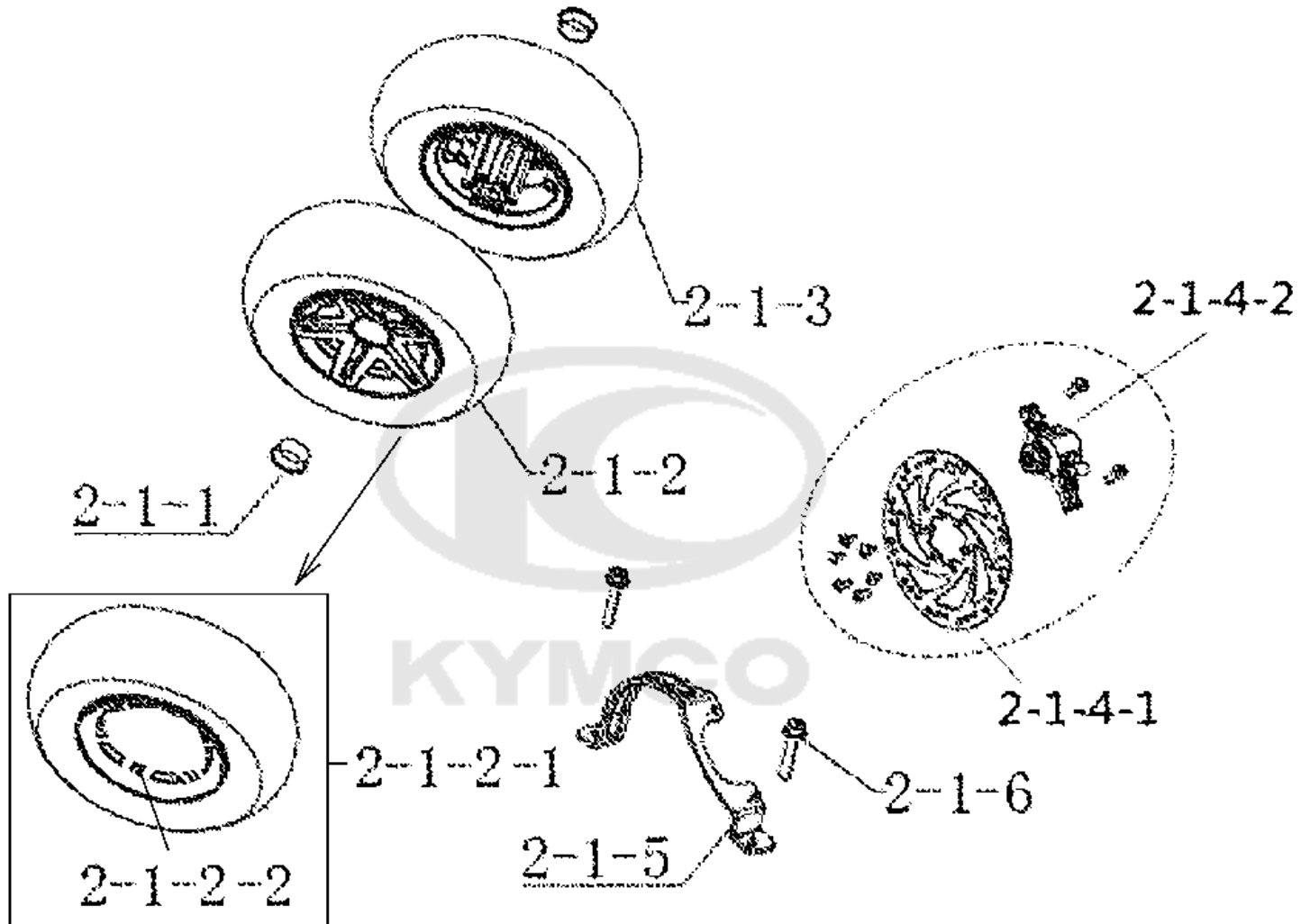


Sales mark	Ref no	Part no	Description	Reg description	Regd no	Ref Price	F07
	1-5-6	33741-AGF1-E00	REFLEX REFLECTOR SIDE	REFLEX REFLECTOR SIDE	2	3.25	
**	1-5-2	64310-AGF1-E00	FLOOR PANEL	FLOOR PANEL	1	52.00	
	1-5-11	64311-AGF1-E00	MOLD A	MOLD A	2	3.25	
	1-5-7	64316-AGF1-E00	PLUG FLOOR	PLUG FLOOR	8	3.25	
**	1-5-1	64340-AGF1-E00	COVER FR. FLOOR	COVER FR. FLOOR	1	52.00	
**	1-5-13	80100-AGF1-E00	FENDER RR TIRE	FENDER RR TIRE	1	16.25	
**	1-5-3	83500-AGF1-E00	COVER UP BODY	COVER UP BODY	1	26.00	
**	1-5-4	83600-AGF1-E00	COVER MIDDLE BODY	COVER MIDDLE BODY	1		
**	1-5-5	83750-AGF1-E00	COVER LOW BODY	COVER LOW BODY	1	26.00	
	1-5-12	90653-LKB9-900	CLIP.MUDGUARD	CLIP.MUDGUARD	2	0.52	
	1-5-10	93903-14360	SCREW TAPPING 4*12	SCREW TAPPING 4*12	14	3.25	
	1-5-9	93903-25560	SCREW TAPPING 5*25	SCREW TAPPING 5*25	4	3.25	
	1-5-14	93903-45360	SCREW TAPPING 5*16	SCREW TAPPING 5*16	4	0.41	
	1-5-8	95701-06016-08G	BOLT FLANGE 6*16	BOLT FLANGE 6*16	8	0.25	



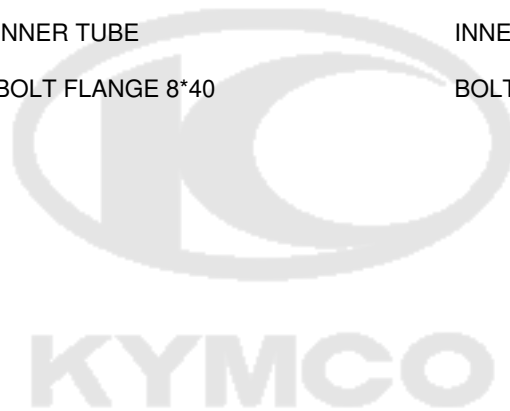
Sales mark	Ref no	Part no	Description	Reg description	Regd no	Ref Price	<b>F08</b>
	1-6-3	31400-AGF1-E00	BREAKER 35A	BREAKER 35A	1	8.22	
	1-6-2	31500-AGF1-E00	BATTERY 12V 45AH	BATTERY 12V 45AH	2	100.00	
	1-6-8	32100-AGF1-E00	HARNESS WIRE	HARNESS WIRE	1	32.50	
	1-6-6	32201-AGF1-E00	CONNECT CORD BATTERY	CONNECT CORD BATTERY	1	13.00	
	1-6-7	32202-AGF1-E00	CONNECT CORD BATTERY	CONNECT CORD BATTERY	1	11.70	
	1-6-1	33500-AGF1-E00	LIGHT ASSY. FR POSITION	LIGHT ASSY. FR POSITION	1	29.25	
	1-6-4	33700-AGF1-E00	LIGHT ASSY. RR. COMB.	LIGHT ASSY. RR. COMB.	1	32.50	
	1-6-5	36000-AGF1-E00	ELEC CONTROLLER UNIT	ELEC CONTROLLER UNIT	1	200.00	





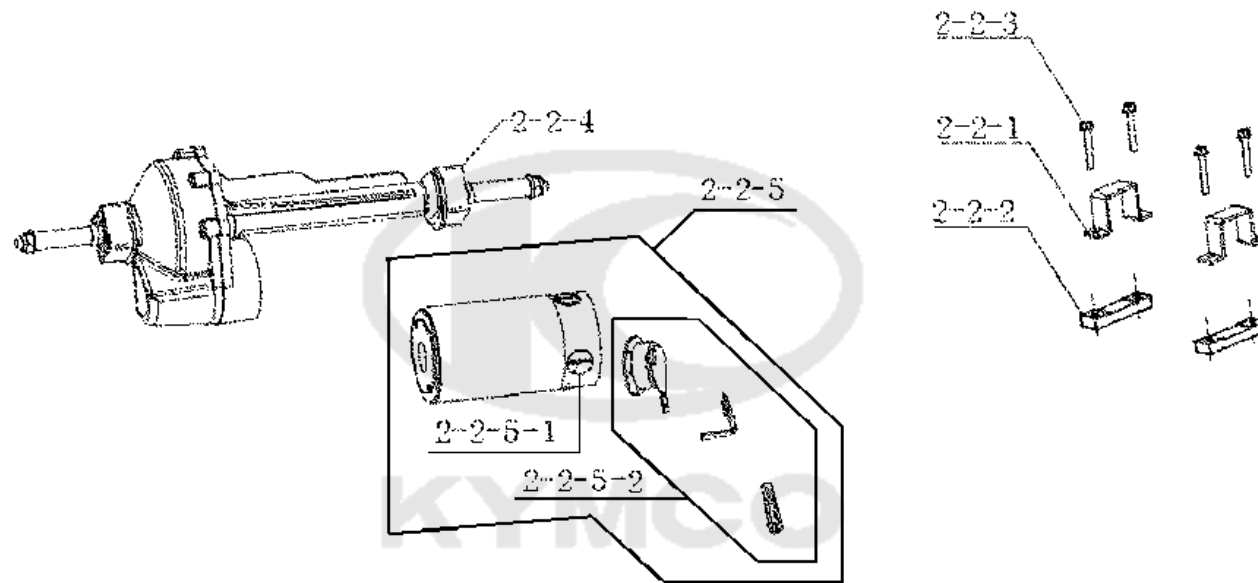



Sales mark	Ref no	Part no	Description	Reg description	Regd no	Ref Price	F09
**	2-1-3	42500-AGF1-E00	WHEEL ASSY RR R	WHEEL ASSY RR R	1	32.50	
**	2-1-2	42600-AGF1-E00	WHEEL ASSY RR L	WHEEL ASSY RR L	1	32.50	
	2-1-4-2	43200-AGF1-E00	CALIPER ASSY RR	CALIPER ASSY RR	1	53.30	
	2-1-5	43210-AGF1-E00	BRACKET RR CALIPER	BRACKET RR CALIPER	1	13.29	
	2-1-4-1	43351-AGF1-E00	DISK 140 RR BRK	DISK 140 RR BRK	1	19.12	
	2-1-1	44315-AGF1-E00	CAP FR AXLE	CAP FR AXLE	2	3.25	
	2-1-2-1	44710-AGF1-E00	TIRE ASSY	TIRE ASSY	2	22.00	
	2-1-2-2	44712-AGF1-E00	INNER TUBE	INNER TUBE	2	7.22	
	2-1-6	95701-08040-08G	BOLT FLANGE 8*40	BOLT FLANGE 8*40	2	0.77	

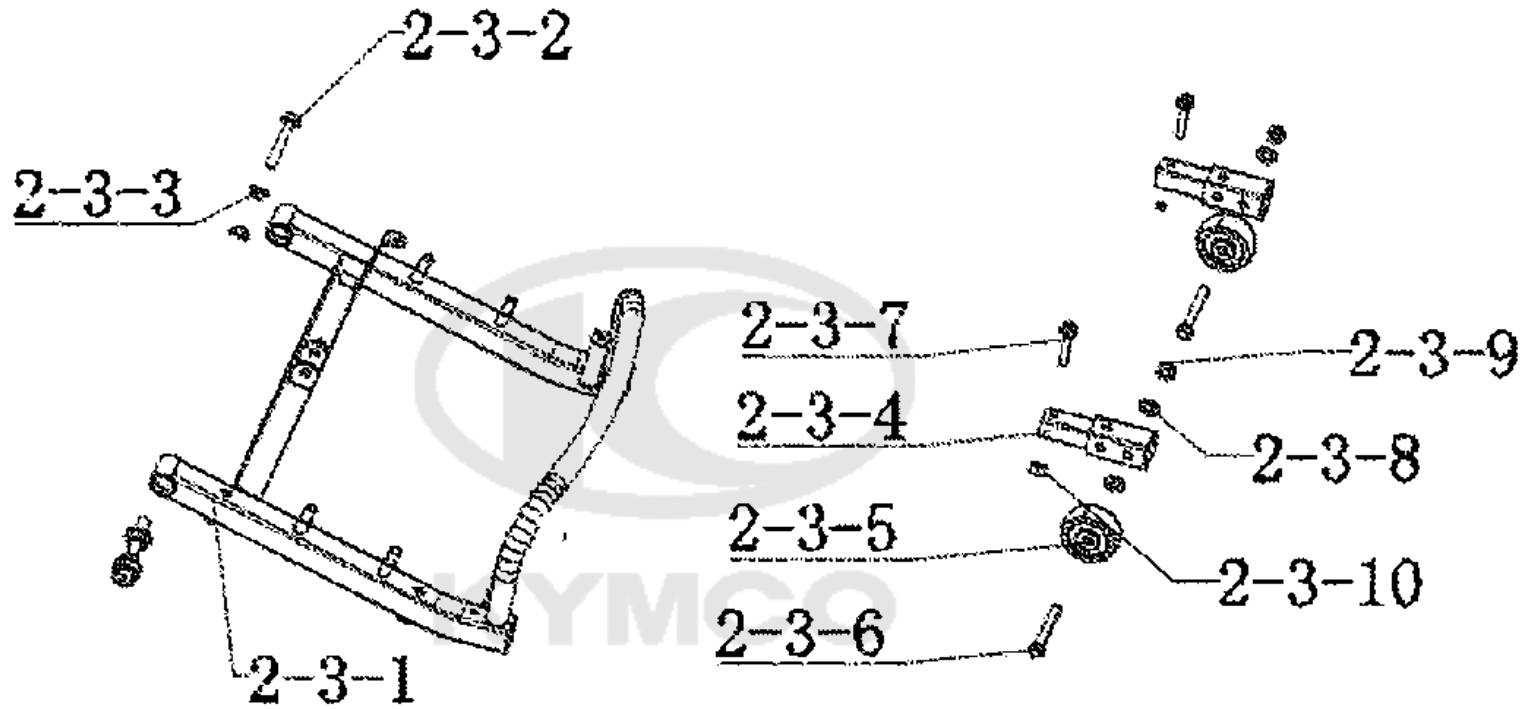


F10

Mission Motor

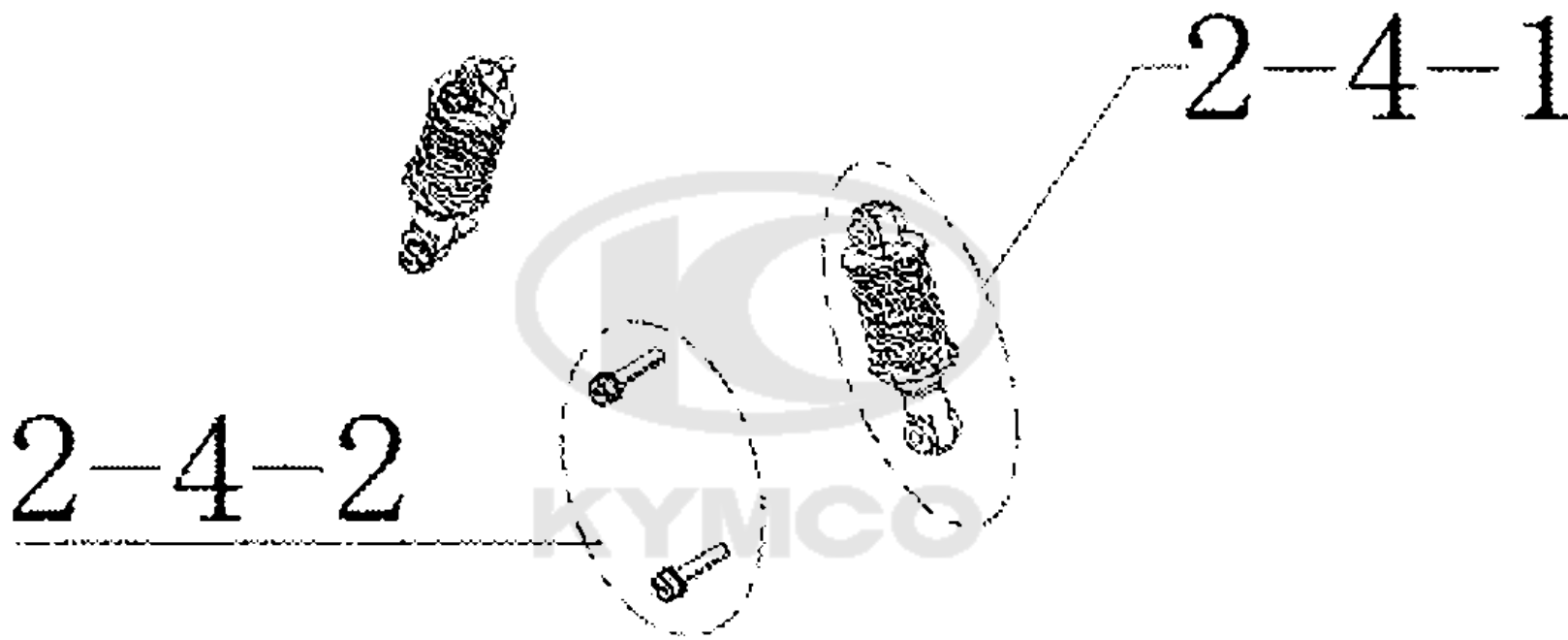


Sales mark	Ref no	Part no	Description	Reg description	Regd no	Ref Price	<b>F10</b>
	2-2-4	1000A-AGF1-E00	MOTOR TRANSLAXE ASSY	MOTOR TRANSLAXE ASSY	1	200.00	
	2-2-5	31300-AGF1-E00	MOTOR ASSY	MOTOR ASSY	1	150.00	
	2-2-5-1	31340-AGF1-E00	BRUSH ASSY MOTOR	BRUSH ASSY MOTOR	1	3.25	
	2-2-5-2	31350-AGF1-E00	MOTOR BRAKE	MOTOR BRAKE	1	70.00	
	2-2-2	50305-AGF1-E00	RACE UNDER STRG.BALL	RACE UNDER STRG.BALL	2	5.20	
	2-2-1	50350-AGF1-E00	CONNECTOR MISSION	CONNECTOR MISSION	2	5.20	
	2-2-3	94050-08060	NUT FLANGE 8MM	NUT FLANGE 8MM	4	0.49	
							



Sales mark	Ref no	Part no	Description	Reg description	Regd no	Ref Price	F11
	2-3-5	42800-AGF1-E00	AUX WHEEL	AUX WHEEL	2	3.25	
	2-3-4	50231-AGF1-E00	PIPE COMP AUX WHEEL	PIPE COMP AUX WHEEL	2	7.80	
	2-3-1	52110-AGF1-E00	FORK COMP RARE	FORK COMP RARE	1	52.00	
	2-3-3	90102-AGF1-E00	COLLAR FORK	COLLAR FORK	4	3.25	
	2-3-9	94001-08060-0S	NUT HEX 8MM	NUT HEX 8MM	2	52.00	
	2-3-10	94050-06060	NUT FLANGE 6MM	NUT FLANGE 6MM	2	0.49	
	2-3-8	94101-08800	WASHER PLAIN 8MM	WASHER PLAIN 8MM	4	0.51	
	2-3-7	95701-06035-06	BOLT FLANGE 6*35 **07 C.2005.07.01	BOLT FLANGE 6*35 **07 C.2005.07.01	2	0.50	
	2-3-6	95701-08060-06	BOLT FLANGE 8*60 (G)	BOLT FLANGE 8*60 (G)	2	0.50	
	2-3-2	95801-10055-08G	BOLT FLANGE 10*55	BOLT FLANGE 10*55	2	6.50	

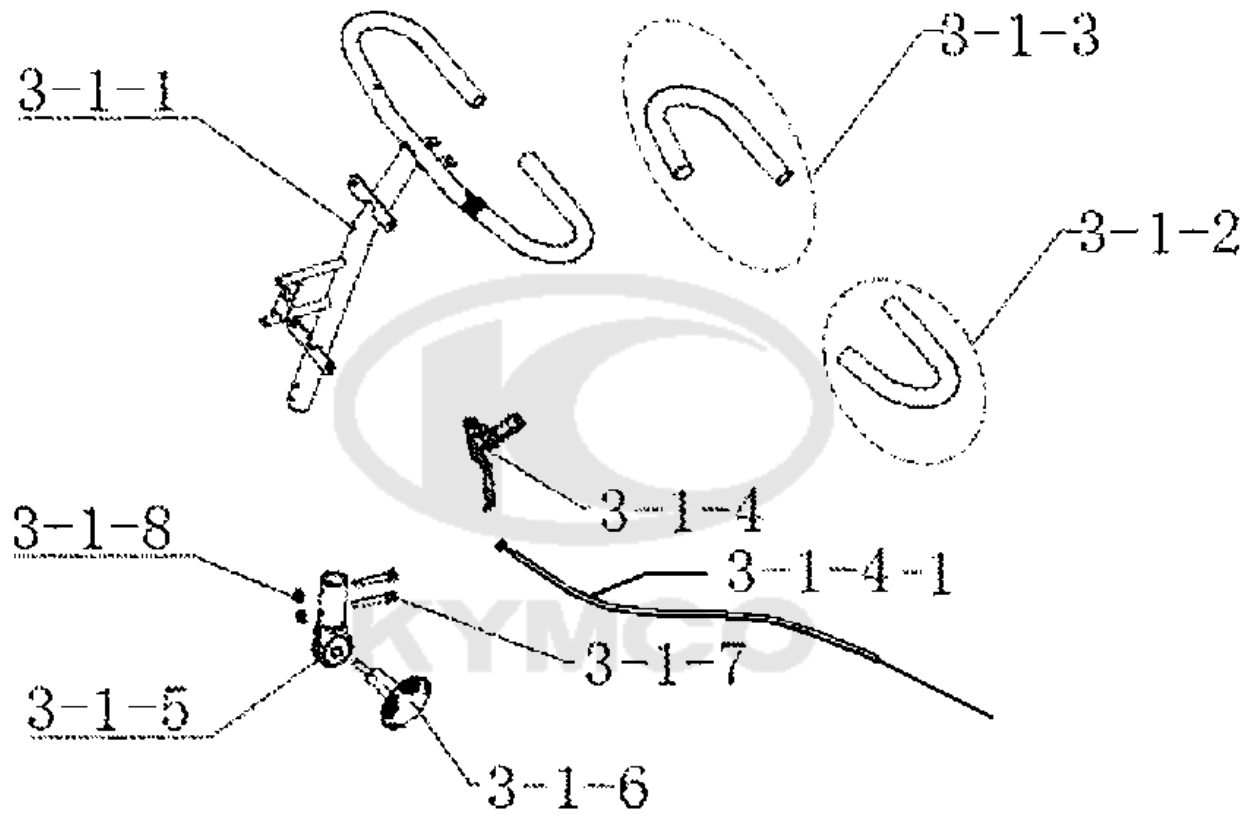




Sales mark	Ref no	Part no	Description	Reg description	Regd no	Ref Price	<b>F12</b>
------------	--------	---------	-------------	-----------------	---------	-----------	------------

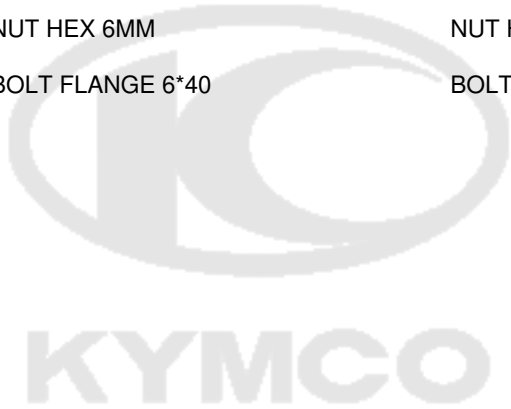
2-4-1		52400-AGF1-E00	CUSHION ASSY RR	CUSHION ASSY RR	2	27.30	
2-4-2		95701-08040-08G	BOLT FLANGE 8*40	BOLT FLANGE 8*40	4	0.77	

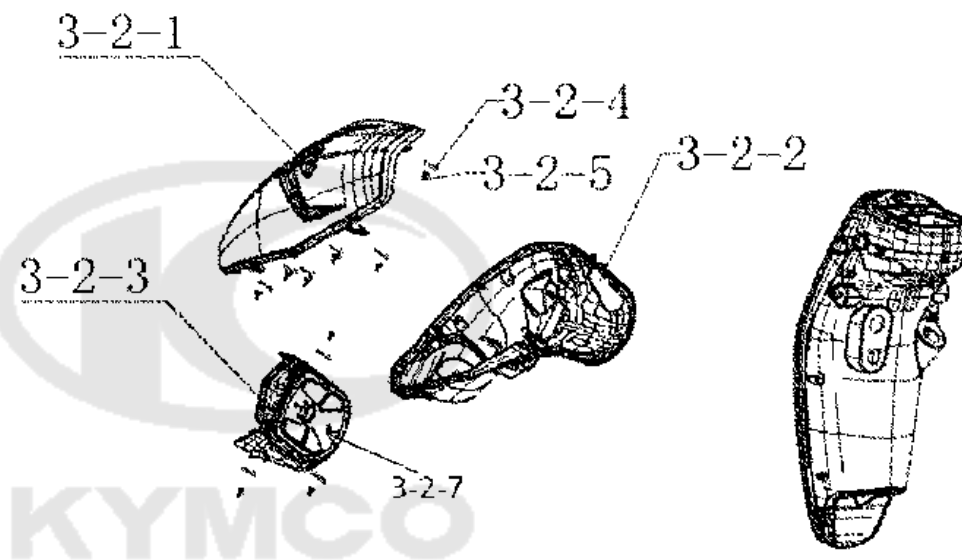
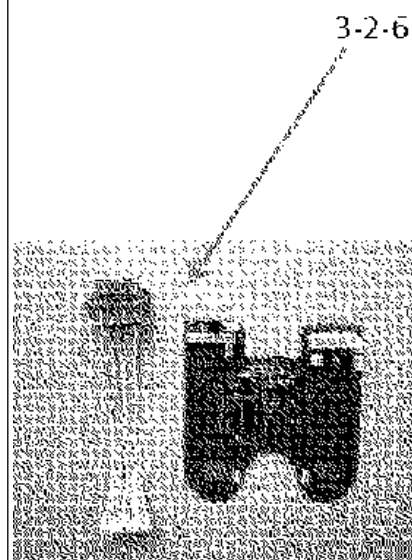







Sales mark	Ref no	Part no	Description	Reg description	Regd no	Ref Price	F13
	3-1-4-1	43450-AGF1-E00	CABLE COMP RR BRK	CABLE COMP RR BRK	1	27.30	
**	3-1-5	53101-AGF1-E00	TOOTH UP ADJUST	TOOTH UP ADJUST	1	8.87	
	3-1-1	5310A-AGF1-E00	HANDLE BAR ASSY	HANDLE BAR ASSY	1	35.70	
	3-1-6	5311A-AGF1-E00	COMP HANDLE WHEEL	COMP HANDLE WHEEL	1	3.25	
	3-1-3	53165-AGF1-E00	GRIP R. HANDLE	GRIP R. HANDLE	1	3.25	
	3-1-2	53166-AGF1-E00	GRIP L. HANDLE	GRIP L. HANDLE	1	3.25	
	3-1-4	5317B-LBE1-E70	BRAKE LEVER	BRAKE LEVER	1	16.25	
	3-1-8	94001-06060-0S	NUT HEX 6MM	NUT HEX 6MM	2	3.25	
	3-1-7	95701-06040-08G	BOLT FLANGE 6*40	BOLT FLANGE 6*40	2	3.25	

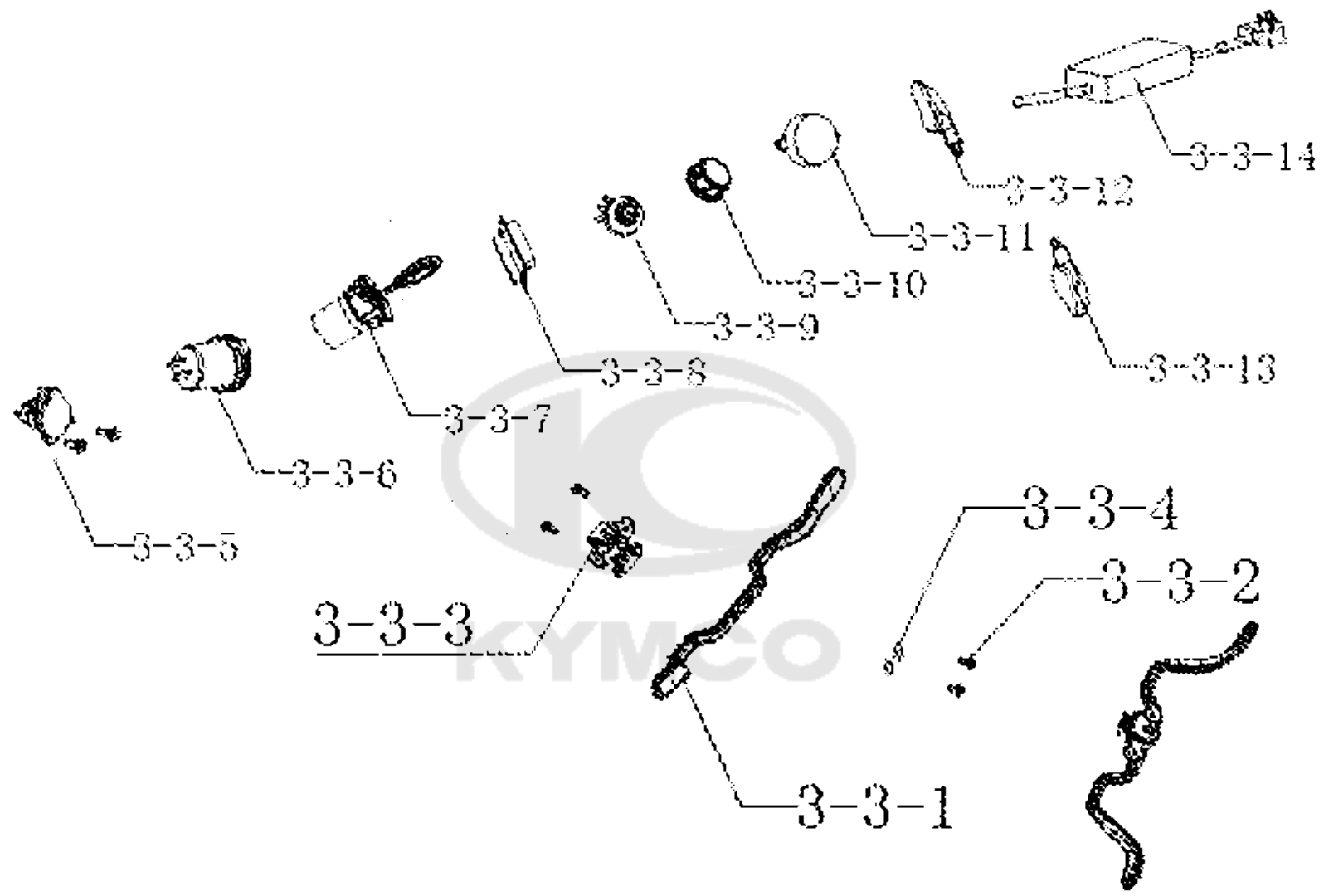




Sales mark	Ref no	Part no	Description	Reg description	Regd no	Ref Price	<b>F14</b>
	3-2-6	36100-AGF1-E00	PCB CONTROLLER BOARD	PCB CONTROLLER BOARD	1	45.50	
**	3-2-3	37203-AGF1-E00	COVER METER	COVER METER	1	11.70	
	3-2-7	37204-AGF1-E00	MAT METER	MAT METER	1	13.00	
**	3-2-1	64301-AGF1-E00	COVER FR.	COVER FR.	1		
**	3-2-2	81131-AGF1-E00	LEG SHIELD	LEG SHIELD	1		
	3-2-5	90101-SDA4-001	SCREW TAPPING 4*12	SCREW TAPPING 4*12	11	3.25	
	3-2-4	90302-SDA4-004	NUT SPRING 4MM **SA4-0040	NUT SPRING 4MM **SA4-0040	9	0.26	
							

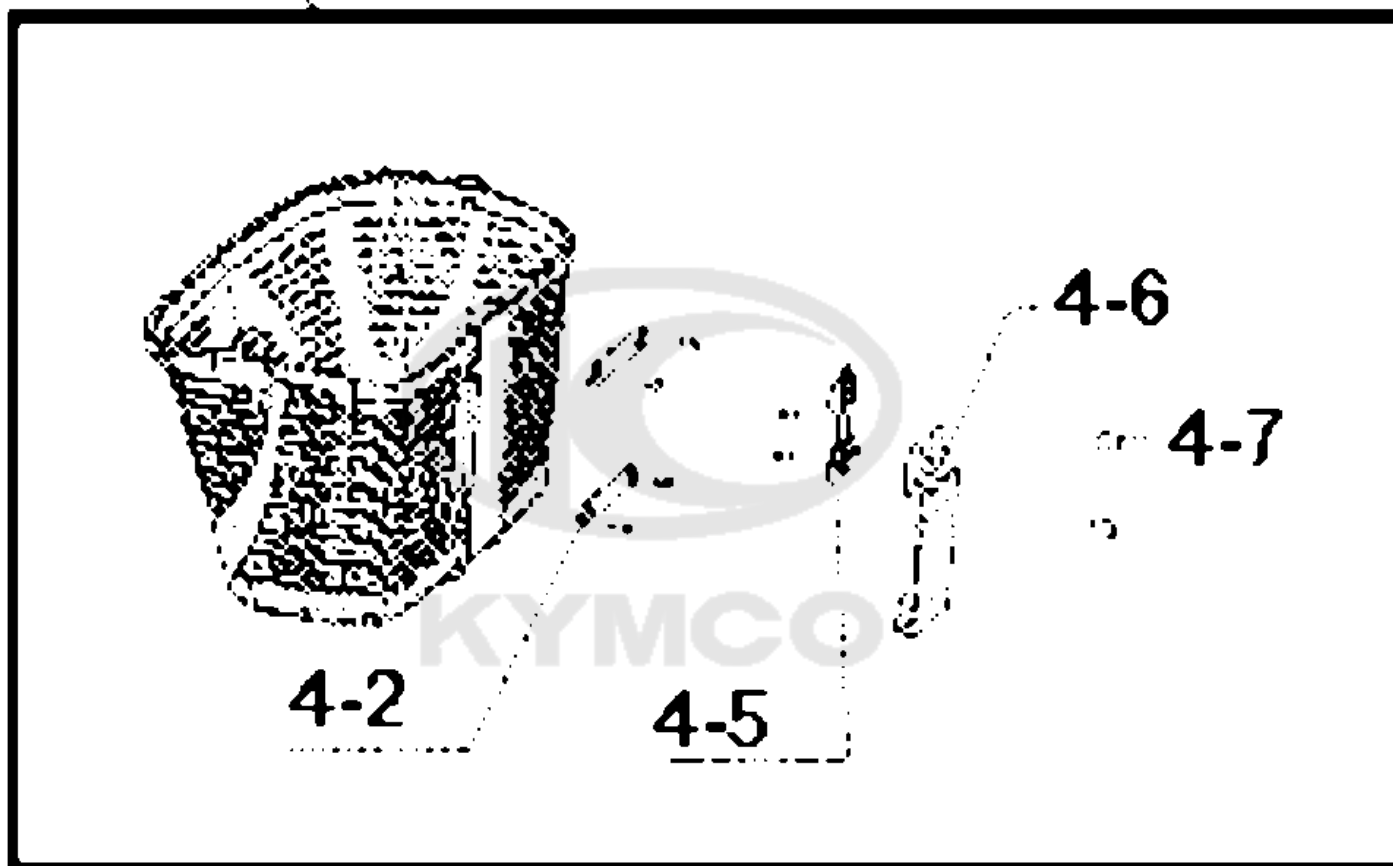
F15

Throttle Lever



Sales mark	Ref no	Part no	Description	Reg description	Regd no	Ref Price	F15
	3-3-14	31800-AGF1-E00	BATTERY CHARGER ASS'Y	BATTERY CHARGER ASS'Y	1	70.00	
	3-3-6	32101-AGF1-E00	USB CORE	USB CORE	1	13.00	
	3-3-5	32620-AGF1-E00	SOCKET CHARGER	SOCKET CHARGER	1	6.50	
	3-3-12	33400-AGF1-E00	WINKER ASSY. R. FR	WINKER ASSY. R. FR	1	13.00	
	3-3-13	33450-AGF1-E00	WINKER ASSY. L. FR	WINKER ASSY. L. FR	1	13.00	
	3-3-7	35010-AGF1-E00	MAIN KEY	MAIN KEY	1	16.25	
	3-3-10	35110-AGF1-E00	SW UNIT SPEED	SW UNIT SPEED	1	3.25	
	3-3-9	35115-AGF1-E00	VARIABLE RESISTER 20K	VARIABLE RESISTER 20K	1	13.00	
	3-3-11	35180-AGF1-E00	SW UNIT HORN	SW UNIT HORN	1	6.50	
	3-3-3	36101-AGF1-E00	THROTTLE ASSY	THROTTLE ASSY	1	32.50	
	3-3-1	36109-AGF1-E00	LEVER THROTTLE	LEVER THROTTLE	1	13.00	
	3-3-8	37806-AGF1-E00	UV METER	UV METER	1	13.00	
	3-3-2	90102-KGN7-911	SCREW TAPPING 4*14	SCREW TAPPING 4*14	4	3.25	
	3-3-4	94111-04800	WASHER SPRING 4MM	WASHER SPRING 4MM	2	0.17	

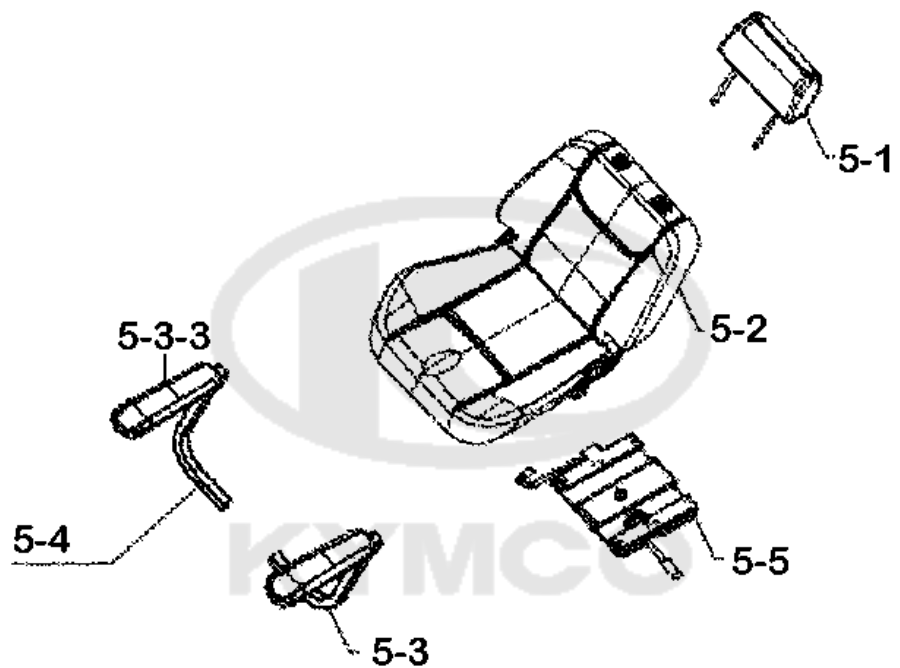
4-1



Sales mark	Ref no	Part no	Description	Reg description	Regd no	Ref Price	<b>F16</b>
------------	--------	---------	-------------	-----------------	---------	-----------	------------

	4-1	50150-AGF1-E00	BASKET	BASKET	1	18.25	
	4-6	50160-AGF1-E00	BRKT. BASKET	BRKT. BASKET	1	5.20	
	4-5	53100-AGF1-E00	HOLDER BASKET	HOLDER BASKET	1	5.20	
	4-2	53111-AGF1-E00	STAY BASKET	STAY BASKET	1	3.25	
	4-7	93410-AGF1-E00	COLLAR HOLDER BASKET	COLLAR HOLDER BASKET	1	3.25	



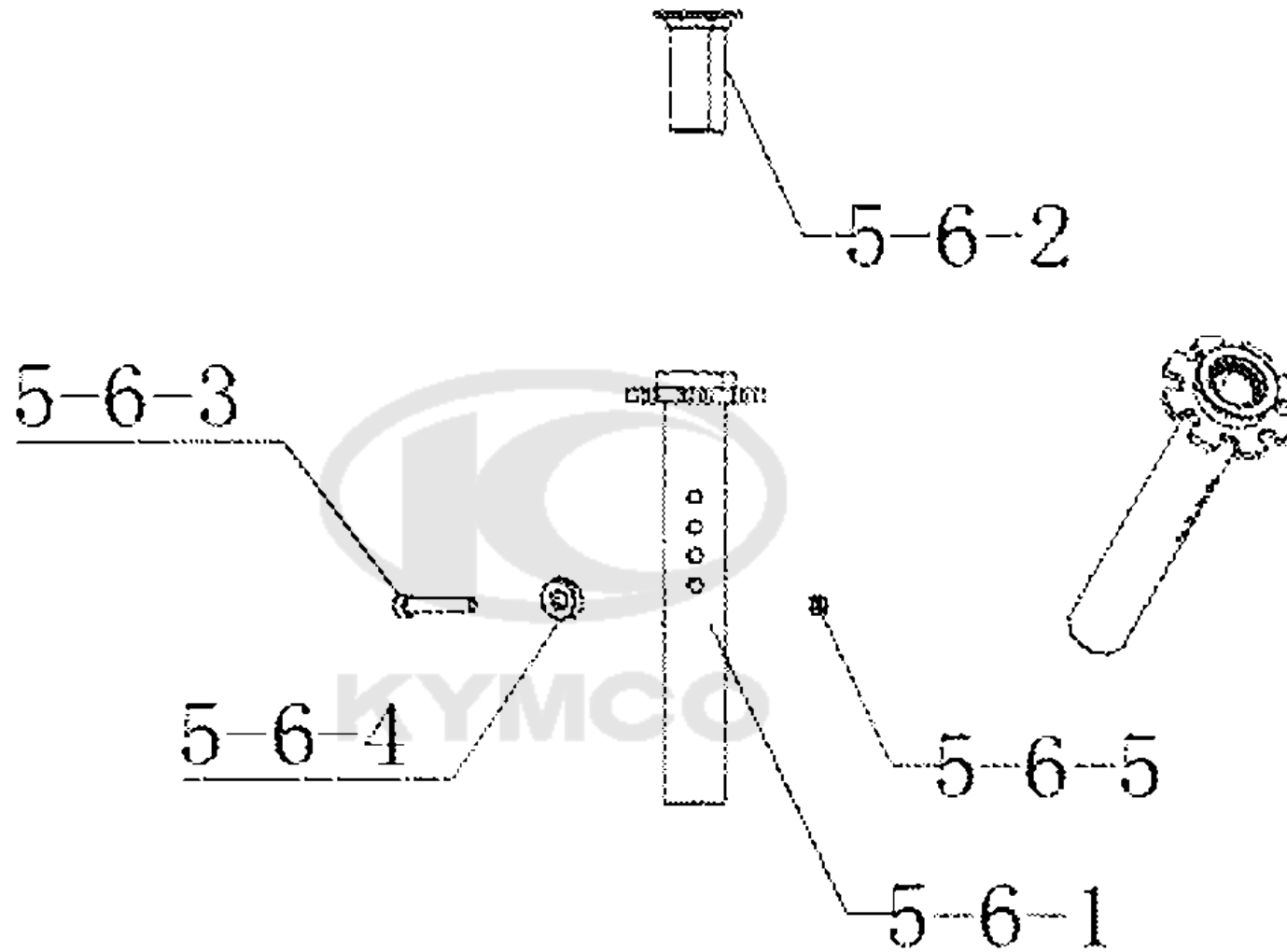




Sales mark	Ref no	Part no	Description	Reg description	Regd no	Ref Price	F17
------------	--------	---------	-------------	-----------------	---------	-----------	-----

5-4		77100-AGF1-E00	ARM REST ASSY. R/H	ARM REST ASSY. R/H	1	32.20	
5-3-3		77212-AGF1-E00	ARM PAD	ARM PAD	2	16.25	
5-2		77230-AGF1-E00	BACK SEAT COMP	BACK SEAT COMP	1	214.50	
5-1		77240-AGF1-E00	PILLOW COMP	PILLOW COMP	1	32.50	
5-5		77250-AGF1-E00	BASE ASSY. SEAT	BASE ASSY. SEAT	1	55.25	
5-3		77300-AGF1-E00	ARM REST ASSY. L/H	ARM REST ASSY. L/H	1	32.20	





Sales mark	Ref no	Part no	Description	Reg description	Regd no	Ref Price	<b>F18</b>
------------	--------	---------	-------------	-----------------	---------	-----------	------------

5-6-1		53135-AGF1-E00	PIPE B, SEAT SET	PIPE B, SEAT SET	1	13.00	
5-6-2		53136-AGF1-E00	RUBBER SEAT SET	RUBBER SEAT SET	1	6.50	
5-6-3		53193-AGF1-E00	NUT FIXING	NUT FIXING	1	3.25	
5-6-5		94001-08060-0S	NUT HEX 8MM	NUT HEX 8MM	1	52.00	
5-6-4		95701-08060-08G	BOLT FLANGE 8*60	BOLT FLANGE 8*60	1	3.25	

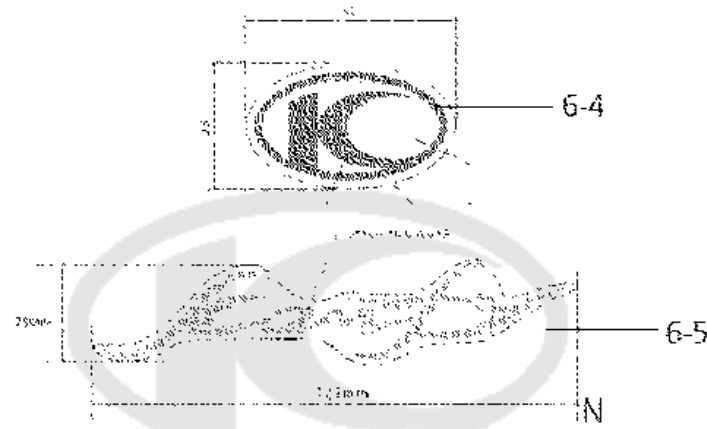


F19

Stripe

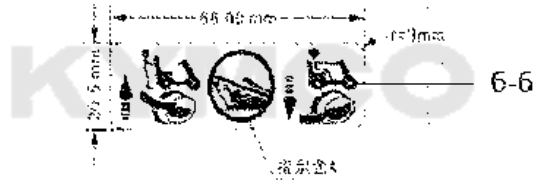


6-3

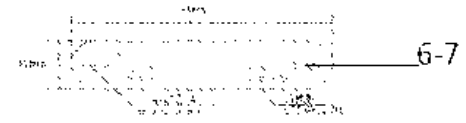


6-4

6-5



6-6



6-7



6-8

Sales mark	Ref no	Part no	Description	Reg description	Regd no	Ref Price	<b>F19</b>
------------	--------	---------	-------------	-----------------	---------	-----------	------------

**	6-5	86101-AGF1-E20	STRIPE FR COVER	STRIPE FR COVER	1	3.25	
**	6-4	86102-LCA5-900	EMB K-LOGO 30MM (PP)	EMB K-LOGO 30MM (PP)	1	3.25	
**	6-6	87501-LED5-910	USE CAUTION	USE CAUTION	1	3.25	
**	6-8	87502-AGF1-E00	LABEL ELEC CONTROL UNIT	LABEL ELEC CONTROL UNIT	1	3.25	
**	6-3	87541-LAE9-E00	CAUTION LOCK **E00	CAUTION LOCK **E00	1	3.25	
**	6-7	87560-LAC5-900	MARK DRIVE CAUTION	MARK DRIVE CAUTION	1	3.25	



## PART NO. INDEX

PART NO.	VERSION	PAGE	PART NO.	VERSION	PAGE	PART NO.	VERSION	PAGE
<b>10000</b>			<b>33000</b>			37204-AGF1-E00	0	F14
						37806-AGF1-E00	0	F15
1000A-AGF1-E00	0	F10	33400-AGF1-E00	0	F15	<b>42000</b>		
			33450-AGF1-E00	0	F15			
<b>31000</b>			33500-AGF1-E00	0	F08	42500-AGF1-E00	0	F09
			33700-AGF1-E00	0	F08	42600-AGF1-E00	0	F09
31300-AGF1-E00	0	F10	33741-AGF1-E00	0	F07	42800-AGF1-E00	0	F11
31340-AGF1-E00	0	F10				<b>43000</b>		
31350-AGF1-E00	0	F10	<b>35000</b>					
31400-AGF1-E00	0	F08				43200-AGF1-E00	0	F09
31500-AGF1-E00	0	F08	35010-AGF1-E00	0	F15	43210-AGF1-E00	0	F09
31510-AGF1-E00	0	F05	35110-AGF1-E00	0	F15	43351-AGF1-E00	0	F09
31511-AGF1-E00	0	F05	35115-AGF1-E00	0	F15	43450-AGF1-E00	0	F13
31800-AGF1-E00	0	F15	35180-AGF1-E00	0	F15			
<b>32000</b>			<b>36000</b>			<b>44000</b>		
						44315-AGF1-E00	0	F03
32100-AGF1-E00	0	F08	36000-AGF1-E00	0	F08	44315-AGF1-E00	0	F09
32101-AGF1-E00	0	F15	36100-AGF1-E00	0	F14	44500-AGF1-E00	0	F03
32201-AGF1-E00	0	F08	36101-AGF1-E00	0	F15	44600-AGF1-E00	0	F03
32202-AGF1-E00	0	F08	36109-AGF1-E00	0	F15	44620-AGF1-E00	0	F03
32620-AGF1-E00	0	F15				44701-AGF1-E00	0	F03
			<b>37000</b>			44702-AGF1-E00	0	F03
						44710-AGF1-E00	0	F03
			37203-AGF1-E00	0	F14			

## PART NO. INDEX

PART NO.	VERSION	PAGE	PART NO.	VERSION	PAGE	PART NO.	VERSION	PAGE
44710-AGF1-E00	0	F09				53805-AGF1-E00	0	F02
44712-AGF1-E00	0	F03	<b>52000</b>					
44712-AGF1-E00	0	F09				<b>64000</b>		
<b>47000</b>			52110-AGF1-E00	0	F11			
			52400-AGF1-E00	0	F12	64301-AGF1-E00	0	F14
47401-AGF1-E00	0	F02	<b>53000</b>			64310-AGF1-E00	0	F07
47501-AGF1-E00	0	F02				64311-AGF1-E00	0	F07
<b>50000</b>			53100-AGF1-E00	0	F16	64316-AGF1-E00	0	F07
			53101-AGF1-E00	0	F13	64340-AGF1-E00	0	F07
50100-AGF1-E00	0	F05	53102-AGF1-E00	0	F01	<b>77000</b>		
50150-AGF1-E00	0	F16	5310A-AGF1-E00	0	F13			
50160-AGF1-E00	0	F16	53111-AGF1-E00	0	F16	77100-AGF1-E00	0	F17
50162-AGF1-E00	0	F05	5311A-AGF1-E00	0	F13	77212-AGF1-E00	0	F17
50169-AGF1-E00	0	F06	53135-AGF1-E00	0	F18	77230-AGF1-E00	0	F17
50231-AGF1-E00	0	F11	53136-AGF1-E00	0	F18	77240-AGF1-E00	0	F17
50305-AGF1-E00	0	F10	53165-AGF1-E00	0	F13	77250-AGF1-E00	0	F17
5030A-AGF1-E00	0	F01	53166-AGF1-E00	0	F13	77300-AGF1-E00	0	F17
50310-LAC5-900	4	F05	5317B-LBE1-E70	2	F13	<b>80000</b>		
50350-AGF1-E00	0	F10	53193-AGF1-E00	0	F18			
<b>51000</b>			53200-AGF1-E00	0	F01			
			53400-AGF1-E00	0	F02	80100-AGF1-E00	0	F07
			53402-AGF1-E00	0	F02	<b>81000</b>		
			53403-AGF1-E00	0	F02			
51400-AGF1-E00	0	F04	53500-AGF1-E00	0	F02			
			53800-AGF1-E00	0	F02	81131-AGF1-E00	0	F14

## PART NO. INDEX

PART NO.	VERSION	PAGE	PART NO.	VERSION	PAGE	PART NO.	VERSION	PAGE
<b>83000</b>			<b>90000</b>			94050-08060	0	F02
83500-AGF1-E00	0	F07	90101-SDA4-001	0	F14	94050-08060	0	F10
83551-LBE1-900	1	F05	90102-AGF1-E00	0	F11	94050-10060	0	F02
83600-AGF1-E00	0	F07	90102-KGN7-911	0	F15	94101-06800	0	F01
83750-AGF1-E00	0	F07	90302-SDA4-004	3	F14	94101-08800	0	F02
			90653-LKB9-900	1	F07	94101-08800	0	F11
<b>85000</b>			90661-AGF1-E00	0	F05	94111-04800	0	F15
85104-AGF1-E00	0	F06				94111-06800	0	F03
			<b>93000</b>			94111-08600	0	F02
<b>86000</b>			93410-AGF1-E00	0	F16	94111-10800	0	F02
86101-AGF1-E20	0	F19	93903-14360	0	F07	<b>95000</b>		
86102-LCA5-900	4	F19	93903-25560	0	F07	95701-06016-08G	1	F07
			93903-45360	0	F07	95701-06035-06	1	F11
<b>87000</b>						95701-06035-08G	1	F01
87501-LED5-910	1	F19	<b>94000</b>			95701-06040-08G	0	F13
87502-AGF1-E00	0	F19	94001-06060-0S	0	F01	95701-08030-06	0	F02
87541-LAE9-E00	1	F19	94001-06060-0S	0	F05	95701-08040-08G	0	F09
87560-LAC5-900	4	F19	94001-06060-0S	0	F06	95701-08040-08G	0	F12
			94001-08060-0S	0	F13	95701-08060-06	0	F11
			94001-08060-0S	0	F11	95701-08060-08G	0	F18
			94001-08060-0S	0	F18	95701-10020-06	0	F03
			94050-06060	1	F11	95801-06030-08G	0	F06
						95801-08030-06	0	F04
						95801-08040-06	0	F02



## PART NO. INDEX

PART NO.	VERSION	PAGE	PART NO.	VERSION	PAGE	PART NO.	VERSION	PAGE
95801-08057-08G	0	F02						
95801-10055-06	0	F02						
95801-10055-08G	0	F11						
95801-10075-06	0	F02						
<b>96000</b>								
96130-69020-00	0	F03						
96700-06025-06	1	F03						

