

PARTS CATALOGUE



MOBILITY SCOOTER

EQ35BB(UK)

FORU MIDI XL



檔車

Motorcycles



速克達

Scooters



全地型車

ATV



代步車

Mobilescooters

Release Date : 2016/10/19
Print Date : 2019/11/01

ABOUT THIS PARTS LIST

- This parts list is compiled all service parts for model EQ35BB(UK).
- Any difference between color chart and motorcycle will be revised according to motorcycle.
- The Mark:
 1. Marking "***" must add color code in the end before ordering parts.
 2. Marking "#" are parts with modification, Please find the details from e-Parts system.
- When modification or additions to this parts list are made a revised edition at an appropriate time.



CONTENTS

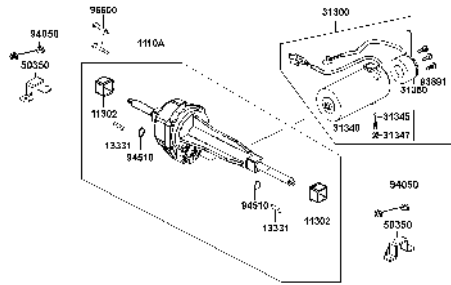
| | |
|-----------------------------------|----|
| ● ABOUT THIS PARTS LIST | 1 |
| ● COLOR CHART OF EQ35BB(UK) | 3 |
| ● CONTENTS-ENGINE GROUP | 5 |
| ● CONTENTS-FRAME GROUP | 6 |
| ● ENGINE PARTS LIST | 8 |
| ● FRAME PARTS LIST | 10 |
| ● PART NO. INDEX | 50 |

| NO | MODEL | | | COLOR CHART OF EQ35BB(UK) | | | |
|------------------------|--------------------|----------------|---------|--|--------------------|---------------|---------------|
| | PHOTO NO | | | NO. 1 | NO. 2 | NO. 3 | NO. 4 |
| | BASIC COLOR | | | Bright Blue | Deep Blue Metallic | Gray Metallic | Bright Silver |
| | CODE | | | Bright Blue | Deep Blue Metallic | Gray Metallic | Bright Silver |
| | PARTS NAME | PARTS NO. | VERSION | PB107MA | PB183MA | NH260MA | NH045MA |
| 1 | BOLT HANDLE SET | 64302-LAC5-900 | 5 | N1R | | | |
| 2 | MOLD A | 64311-LAC5-900 | 3 | | | | |
| 3 | PLUG FLOOR | 64316-LAC5-900 | 2 | | | | |
| 4 | MAT FLOOR | 64320-LAC5-900 | 2 | | | | |
| 5 | COVER FLOOR | 64330-LAC5-900 | 4 | | | | |
| 6 | BUMPER RR | 83751-LAC5-900 | 1 | N8P | | | |
| 7 | METER COVER | 53207-LAC5-900 | 8 | | | | |
| 8 | COVER.FRONT | 64301-LED4-800 | 3 | | | | |
| 9 | COVER.FR PLUG | 64304-LED4-900 | 2 | | | | |
| 10 | COVER BODY UP | 83500-LAC5-900 | 5 | | | | |
| 11 | MIRROR ASSY R BACK | 88110-LAC7-810 | 1 | BAP BHP HWP N8P | | | |
| 12 | MIRROR ASSY L BACK | 88120-LAC7-910 | 1 | | | | |
| 13 | FLOOR PANEL | 64310-LAC5-900 | 5 | | | | |
| 14 | LEG SHIELD | 81131-LED4-900 | 4 | | | | |
| 15 | COVER BODY LOW | 83600-LAC5-900 | 7 | | | | |
| 16 | SEAT ASSY | 77200-LAC5-700 | 8 | T01 | | | |
| 17 | EMB METER | 86444-LAC5-900 | 9 | | | | |
| 18 | LABEL BATTERY | 87508-LDB4-900 | 2 | | | | |
| 19 | LABLE SPEED SW | 87562-LBE1-E00 | 3 | | | | |
| 20 | USE CAUTION | 87501-LAC5-900 | 7 | | | | |
| 21 | EMB K-LOGO 24MM | 86102-LAB4-900 | 2 | T02 | | | |
| 22 | MARK KYMCO | 86201-LDB4-900 | 3 | | | | |
| 23 | MARK KYMCO | 87532-KGAG-V00 | 6 | | | | |
| 24 | MAR DRIVE CAUTION | 87560-LAC5-900 | 4 | | | | |
| DATE OF STARTING-SALES | | | | | | | |
| DATE OF END-SALES | | | | | | | |

| NO | MODEL | | | COLOR CHART OF EQ35BB(UK) | | | |
|------------------------|--------------------|----------------|---------|---------------------------|--------------------|----------|----------|
| | PHOTO NO | | | NO. 5 | NO. 6 | NO. 7 | NO. 8 |
| | BASIC COLOR | | | Graphite Grey | Deep Gray Metallic | Burgundy | Dark Red |
| | CODE | | | Graphite Grey | Deep Gray Metallic | Burgundy | Dark Red |
| | PARTS NAME | PARTS NO. | VERSION | NH129MA | NH129MA | RR132MA | RR132MA |
| 1 | BOLT HANDLE SET | 64302-LAC5-900 | 5 | N1R | | | |
| 2 | MOLD A | 64311-LAC5-900 | 3 | | | | |
| 3 | PLUG FLOOR | 64316-LAC5-900 | 2 | | | | |
| 4 | MAT FLOOR | 64320-LAC5-900 | 2 | | | | |
| 5 | COVER FLOOR | 64330-LAC5-900 | 4 | | | | |
| 6 | BUMPER RR | 83751-LAC5-900 | 1 | | | | |
| 7 | METER COVER | 53207-LAC5-900 | 8 | N8P | | | |
| 8 | COVER.FRONT | 64301-LED4-800 | 3 | | | | |
| 9 | COVER.FR PLUG | 64304-LED4-900 | 2 | | | | |
| 10 | COVER BODY UP | 83500-LAC5-900 | 5 | | | | |
| 11 | MIRROR ASSY R BACK | 88110-LAC7-810 | 1 | | | | |
| 12 | MIRROR ASSY L BACK | 88120-LAC7-910 | 1 | | | | |
| 13 | FLOOR PANEL | 64310-LAC5-900 | 5 | NHP | | R7P | |
| 14 | LEG SHIELD | 81131-LED4-900 | 4 | | | | |
| 15 | COVER BODY LOW | 83600-LAC5-900 | 7 | T01 | | | |
| 16 | SEAT ASSY | 77200-LAC5-700 | 8 | | | | |
| 17 | EMB METER | 86444-LAC5-900 | 9 | | | | |
| 18 | LABEL BATTERY | 87508-LDB4-900 | 2 | | | | |
| 19 | LABLE SPEED SW | 87562-LBE1-E00 | 3 | | | | |
| 20 | USE CAUTION | 87501-LAC5-900 | 7 | | | | |
| 21 | EMB K-LOGO 24MM | 86102-LAB4-900 | 2 | T02 | | T01 | |
| 22 | MARK KYMCO | 86201-LDB4-900 | 3 | | | | |
| 23 | MARK KYMCO | 87532-KGAG-V00 | 6 | T02 | | | |
| 24 | MAR DRIVE CAUTION | 87560-LAC5-900 | 4 | | | | |
| DATE OF STARTING-SALES | | | | | | | |
| DATE OF END-SALES | | | | | | | |

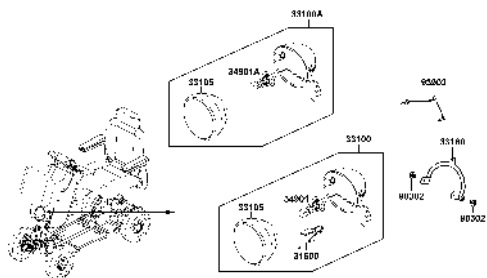
CONTENTS - ENGINE GROUP

E01 Motor

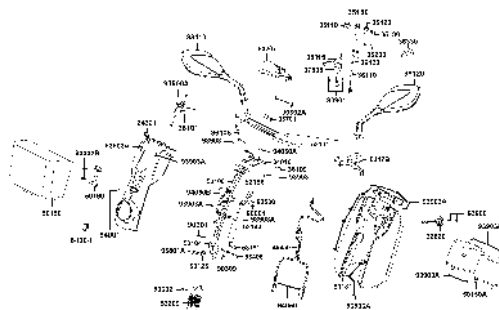


CONTENTS - FRAME GROUP

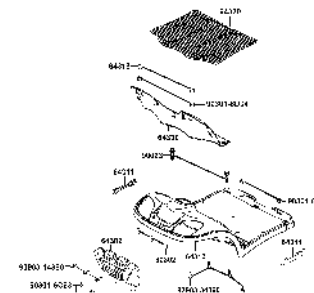
F01 Head Light



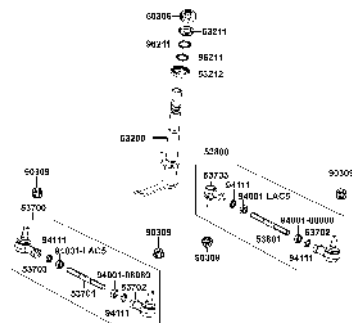
F02 Handle Steering



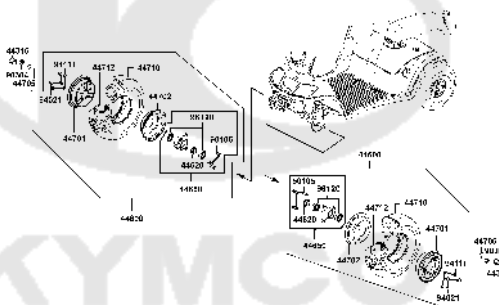
F03 Floor



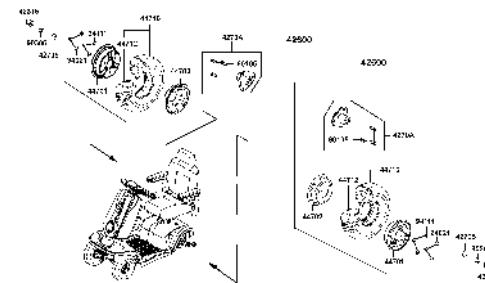
F04 Steering Stem



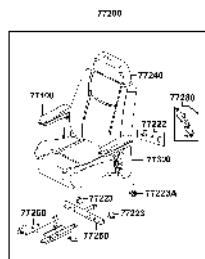
F05 Front Wheel



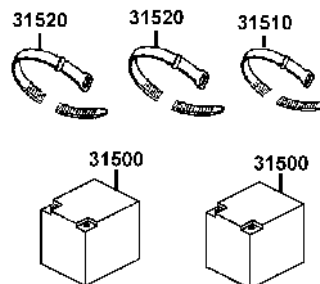
F06 Rear Wheel



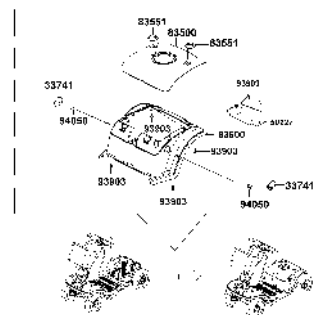
F07 Seat



F08 Battery



F09 Body Cover

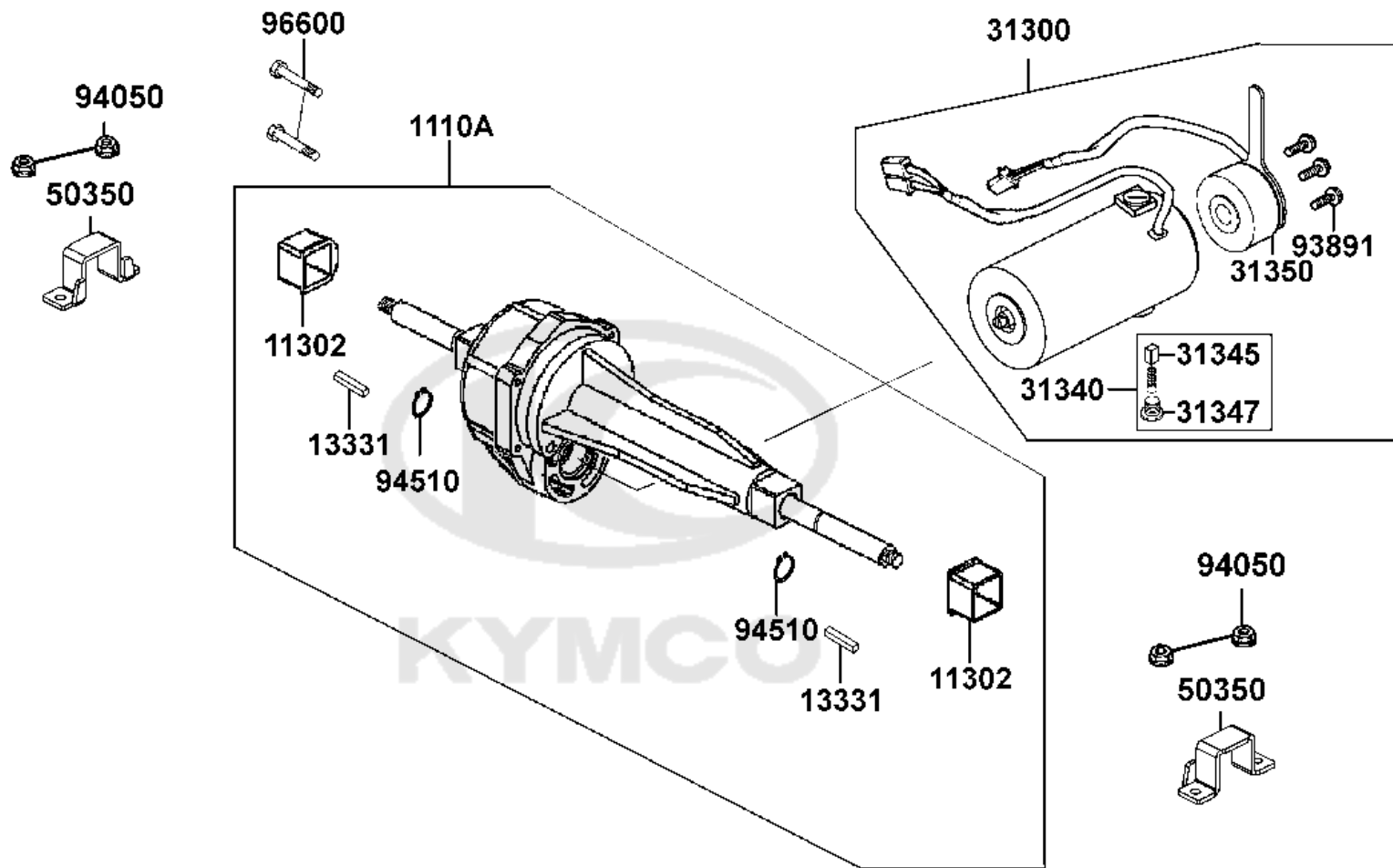


CONTENTS - FRAME GROUP

| | | |
|----------------------------------|--------------------------------|------------------------------|
| <p>F10 Winker Assy RH</p> | <p>F11 Harness Wire</p> | <p>F12 Frame Body</p> |
| | | |
| <p>F13 Caution Label</p> | <p>F14 Mark</p> | <p>F15 KEY COMP</p> |
| | | |
| | | |

E01

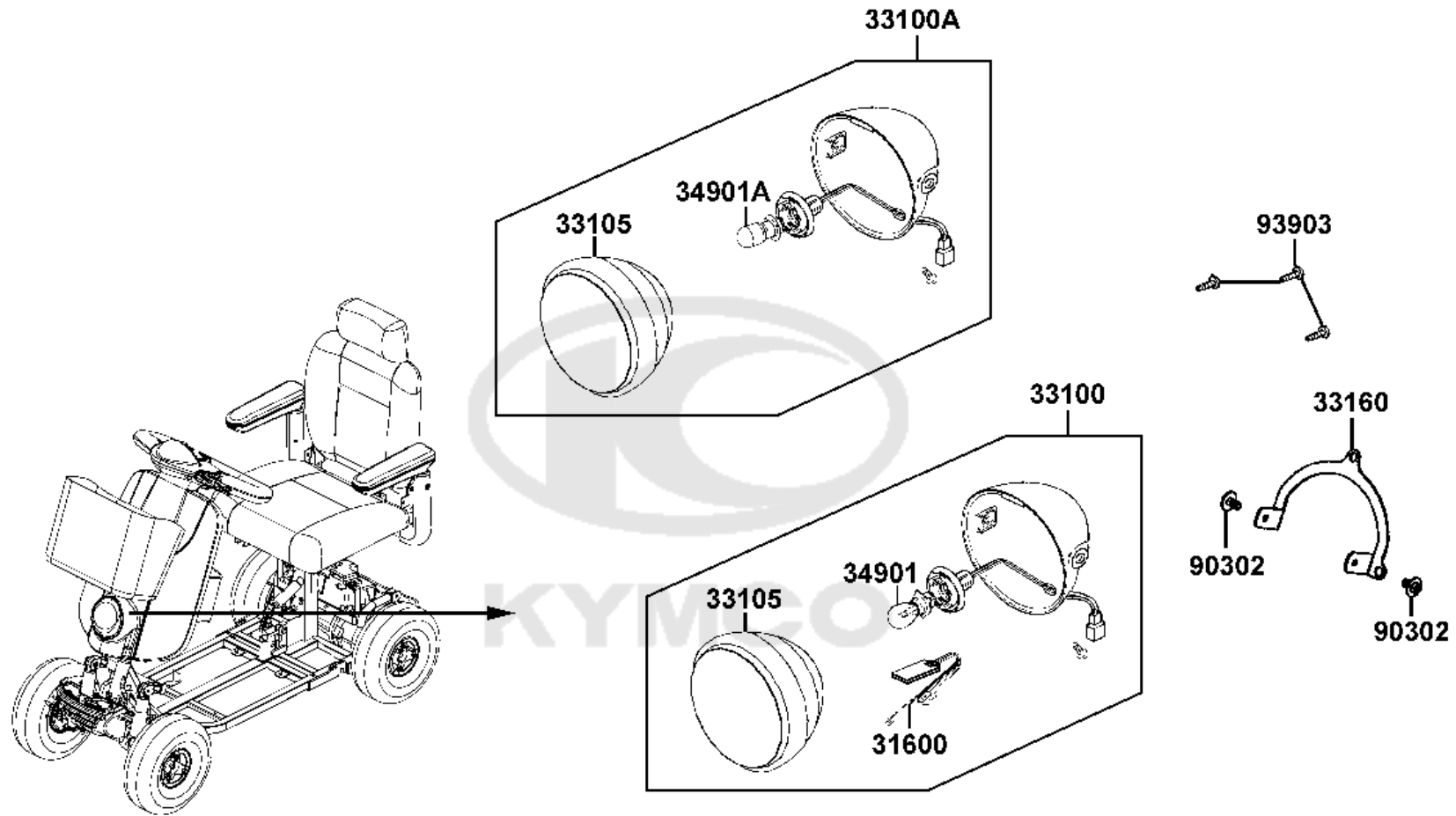
Motor



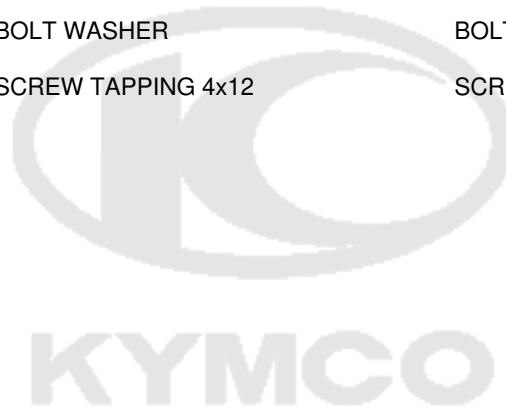
| Sales mark | Ref no | Part no | Description | Reg description | Regd no | Ref Price | E01 |
|------------|--------|-----------------|------------------------------------|------------------------------------|---------|-----------|-----|
| | 1110A | 1110A-LDB4-E20 | MISSION ASSY | MISSION ASSY | 1 | 189.61 | |
| | 11302 | 11302-LAC5-900 | RUBBER | RUBBER | 2 | 6.50 | |
| | 13331 | 13331-LAC5-900 | KEY 4.8*4.8*30 | KEY 4.8*4.8*30 | 2 | 3.25 | |
| | 31300 | 31300-LDB4-E21 | MOTOR ASSY(S DRIVE) | MOTOR ASSY(S DRIVE) | 1 | 150.00 | |
| | 31340 | 31340-LAC5-900 | BRUSH ASSY | BRUSH ASSY | 2 | 7.00 | |
| | 31345 | 31345-LAC5-305 | MOTOR BRUSH- MIDI XL/ SUPER 4/6/8/ | MOTOR BRUSH- MIDI XL/ SUPER 4/6/8/ | 2 | 3.25 | |
| | 31347 | 31347-LAC5-305 | CAP BRUSH | CAP BRUSH | 2 | 3.25 | |
| | 31350 | 31350-LDB4-E20 | BRAKE ASSY | BRAKE ASSY | 1 | 52.00 | |
| | 50350 | 50350-LDB4-900 | CONNECTOR MISSION | CONNECTOR MISSION | 2 | 5.20 | |
| | 93891 | 93891-04012-06 | SCREW WASHER 4*12 | SCREW WASHER 4*12 | 3 | 0.13 | |
| | 94050 | 94050-08080-G | NUT FLANGE 8MM (C) | NUT FLANGE 8MM (C) | 4 | 0.49 | |
| | 94510 | 94510-19000 | CIRCLIP EX 1.9 | CIRCLIP EX 1.9 | 2 | 2.12 | |
| | 96600 | 96600-06060-08G | SCOKET BOLT 8*18 | SCOKET BOLT 8*18 | 2 | 3.25 | |

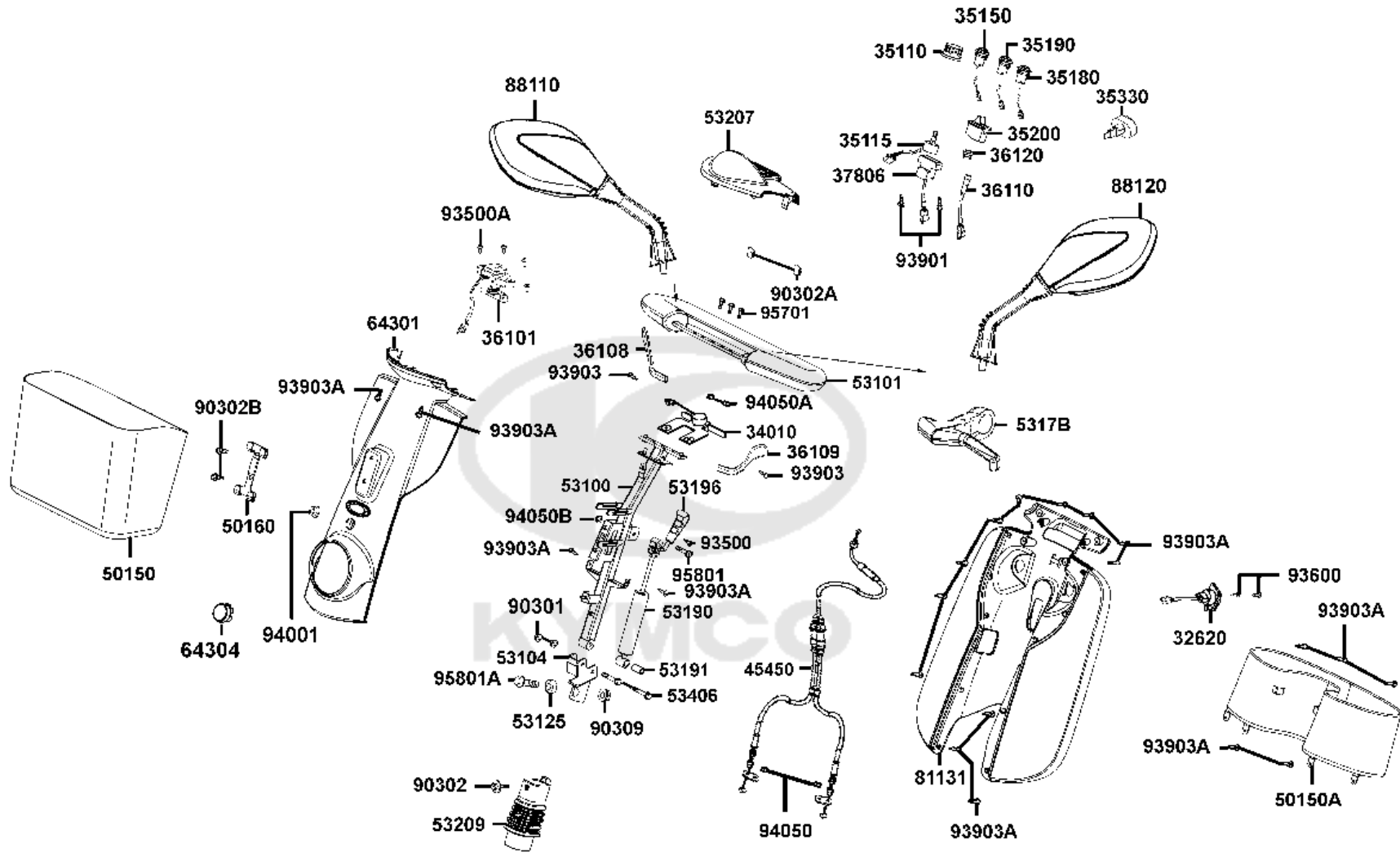
F01

Head Light

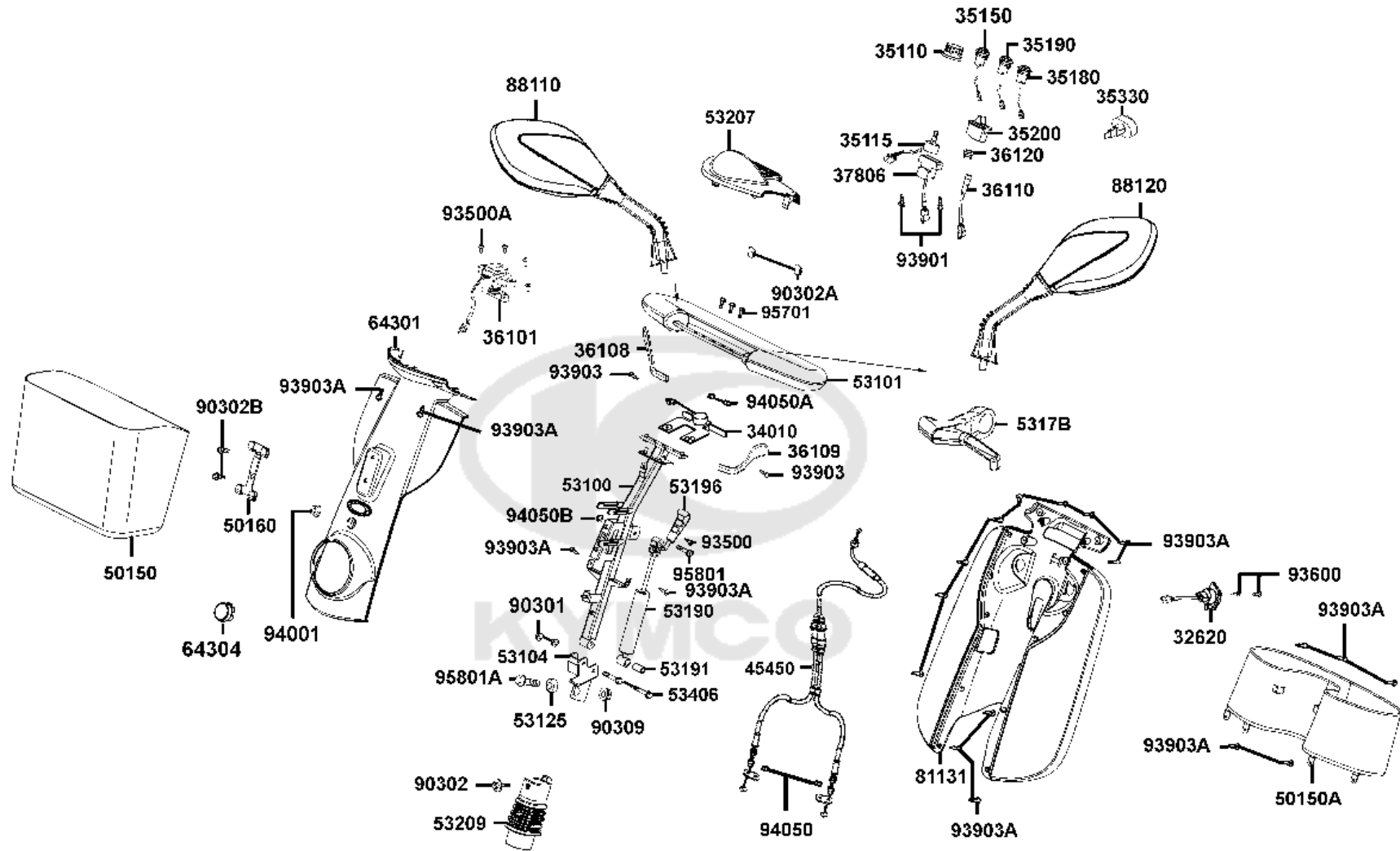


| Sales mark | Ref no | Part no | Description | Reg description | Regd no | Ref Price | F01 |
|------------|--------|----------------|--------------------------------|--------------------------------|---------|-----------|-----|
| | 31600 | 31600-LBE1-E70 | CONVERTOR 24V TO 12V | CONVERTOR 24V TO 12V | 1 | 22.75 | |
| | 33100 | 33100-LBE1-900 | LIGHT ASSY HEAD/D301 | LIGHT ASSY HEAD/D301 | 1 | 15.00 | |
| | 33100A | 33100-LBE1-910 | HEAD LIGHT ASSY **C.2007.04.20 | HEAD LIGHT ASSY **C.2007.04.20 | 1 | 29.25 | |
| | 33105 | 33105-LBE1-900 | RIM HEAD LIGHT | RIM HEAD LIGHT | 1 | 6.50 | |
| | 33160 | 33160-LED4-900 | "STAY,HEAD LIGHT" | "STAY,HEAD LIGHT" | 1 | 3.25 | |
| | 34901 | 34901-KPCP-900 | BULB HEAD LIGHT | BULB HEAD LIGHT | 1 | | |
| | 34901A | 34901-LBE1-910 | BULB HEAD LIGHT | BULB HEAD LIGHT | 1 | 5.20 | |
| | 90302 | 90302-LED4-900 | BOLT WASHER | BOLT WASHER | 2 | 3.25 | |
| | 93903 | 93903-34380-G | SCREW TAPPING 4x12 | SCREW TAPPING 4x12 | 1 | 3.25 | |

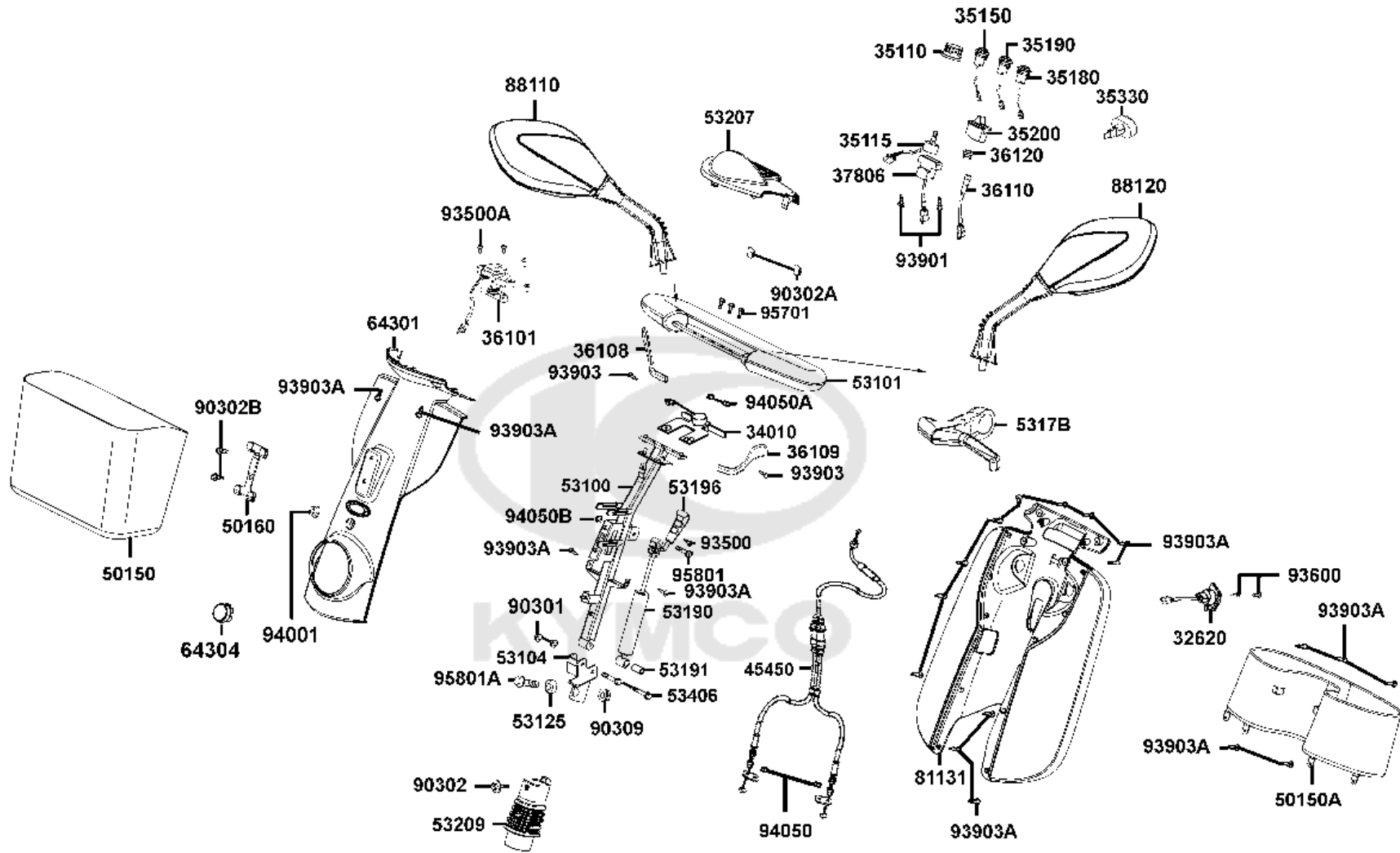




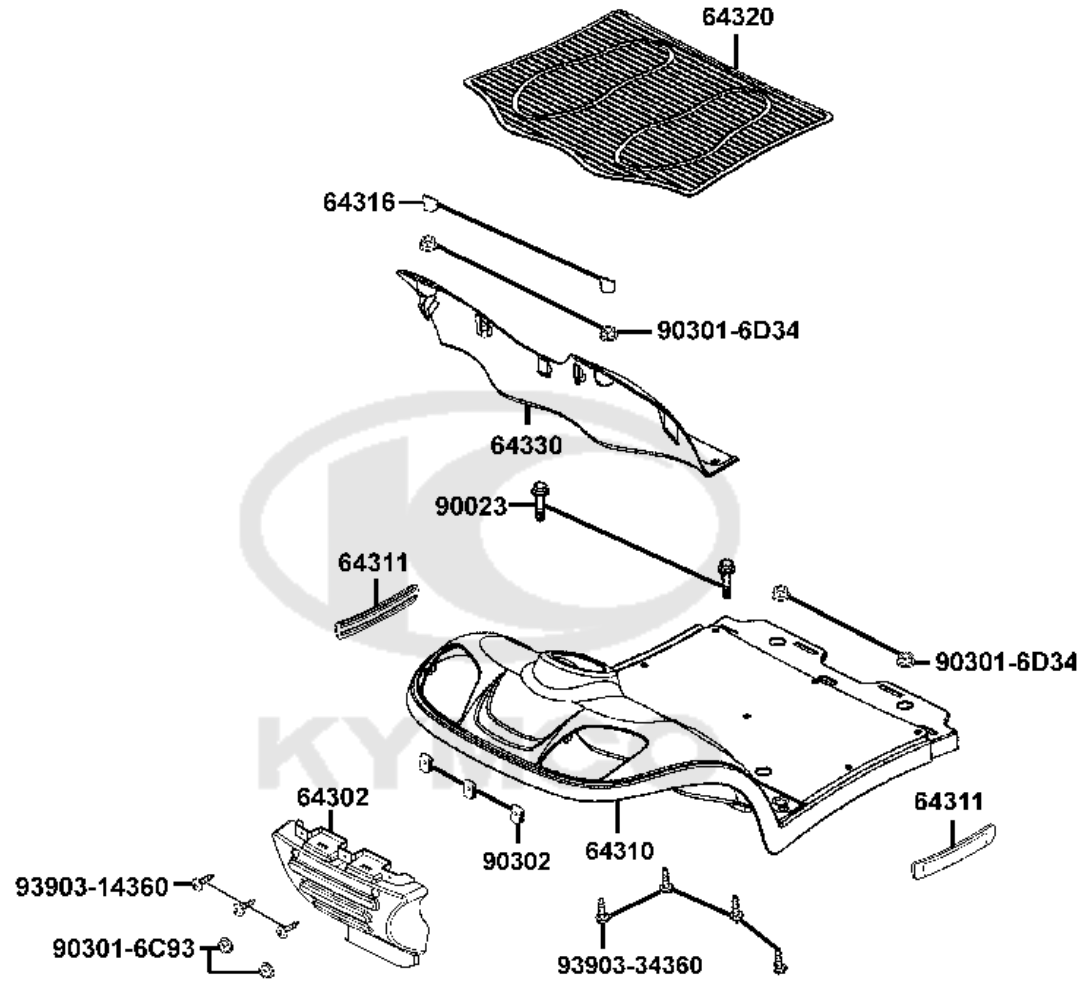
| Sales mark | Ref no | Part no | Description | Reg description | Regd no | Ref Price | F02 |
|------------|--------|----------------|-----------------------------------|--------------------------------------|---------|-----------|-----|
| | 32620 | 32620-LAC5-900 | SOCKET CHARGER | SOCKET CHARGER | 1 | 8.45 | |
| | 34010 | 34010-LAC5-900 | THROTTLE | THROTTLE | 1 | 39.00 | |
| | 35110 | 35110-LAC5-900 | SPEED KNOB ALT 35110-LHD7-900 | SPEED KNOB ALT 35110-LHD7-900 | 1 | 5.20 | |
| | 35115 | 35115-LAC5-900 | SPEED POT 20K? | SPEED POT 20K? | 1 | 11.70 | |
| | 35150 | 35150-LAC5-900 | SW UNIT LIGHTING ALT 3150-LAC5- | SW UNIT LIGHTING ALT 3150-LAC5-900-R | 1 | 6.50 | |
| | 35180 | 35180-LAC5-900 | SW UNIT HORN **(2) C.2007.02.05 | SW UNIT HORN **(2) C.2007.02.05 | 1 | 6.50 | |
| | 35190 | 35190-LAC5-900 | SW UNIT HAZARD | SW UNIT HAZARD | 1 | 6.50 | |
| | 35200 | 35200-LAC5-900 | SW UNIT WINKER ALT 35200-LAC5-900 | SW UNIT WINKER ALT 35200-LAC5-900-R | 1 | 6.50 | |
| | 35330 | 35330-LBE1-900 | SW UNIT HI/LO | SW UNIT HI/LO | 1 | 6.50 | |
| | 36101 | 36101-AAH6-E20 | FROM EQ35BCUK04398/ | FROM EQ35BCUK04398/ EQ35CBUK01270 | 1 | 28.60 | |
| | 36108 | 36108-LBE1-900 | LEVER RH SPEED THROTTLE | LEVER RH SPEED THROTTLE | 1 | 6.50 | |
| | 36109 | 36109-LBE1-900 | LEVER LH SPEED THROTTLE | LEVER LH SPEED THROTTLE | 1 | 6.50 | |
| | 36110 | 36110-LAC5-900 | LED | LED | 1 | 3.25 | |
| | 36120 | 36120-LAC5-900 | LED HOUSE | LED HOUSE | 1 | 3.25 | |
| | 37806 | 37806-LAC5-900 | VU METER **(0) C.2005.09.08 | VU METER **(0) C.2005.09.08 | 1 | 9.10 | |
| | 45450 | 45450-LDB4-900 | BRAKE CABLE- MIDI RANGE | BRAKE CABLE- MIDI RANGE | 1 | 7.80 | |
| | 50150 | 50150-LAC5-900 | BASKET ALT 50150-LAC5-910 | BASKET ALT 50150-LAC5-910 | 1 | 18.20 | |
| | 50150A | 50150-LED4-900 | BASKET | BASKET | 1 | 16.25 | |
| | 50160 | 50160-LAC5-900 | STAY BASKET SET | STAY BASKET SET | 1 | 5.20 | |
| | 53100 | 53100-LED4-900 | HANDLE COMP TILLET | HANDLE COMP TILLET | 1 | 81.25 | |



| Sales mark | Ref no | Part no | Description | Reg description | Regd no | Ref Price | F02 |
|------------|--------|----------------|-----------------------------------|-----------------------------------|---------|-----------|-----|
| | 53100 | 53100-LED4-930 | HANDLE COMP TILLETFROM | HANDLE COMP TILLETFROM | 1 | 81.25 | |
| | 53101 | 53101-LED4-900 | HANDLE COMP GRIP | HANDLE COMP GRIP | 1 | 81.25 | |
| | 53104 | 53104-LED3-900 | "STAY COMP ,HANDLE" | "STAY COMP ,HANDLE" | 1 | 11.70 | |
| | 53125 | 53125-LAC5-900 | COLLAR HANDLE SET | COLLAR HANDLE SET | 1 | 3.25 | |
| | 5317B | 5317B-LED4-900 | LEVER ASSY HANDLE LH | LEVER ASSY HANDLE LH | 1 | 9.75 | |
| | 53190 | 53190-LAC5-90A | ADJUSTER HANDLE/ Gas strut | ADJUSTER HANDLE/ Gas strut | 1 | 29.25 | |
| | 53191 | 53191-LAC5-900 | COLLAR ADJUSTER | COLLAR ADJUSTER | 1 | 1.33 | |
| | 53196 | 53196-LAC5-900 | BLACK GRIP | BLACK GRIP | 1 | 3.21 | |
| ** | 53207 | 53207-LAC5-900 | METER COVER ASSY | METER COVER ASSY | 1 | 10.40 | |
| | 53209 | 53209-LAC5-800 | COVER DUST **(0) N.C.2004.06.07 | COVER DUST **(0) N.C.2004.06.07 | 1 | 11.70 | |
| | 53406 | 53406-LAC5-900 | BOLT HANDLE SET | BOLT HANDLE SET | 2 | 3.25 | |
| ** | 64301 | 64301-LED4-800 | COVER,FRONT | COVER,FRONT | 1 | 13.00 | |
| ** | 64304 | 64304-LED4-900 | COVER,FR PLUG | COVER,FR PLUG | 1 | 13.00 | |
| ** | 81131 | 81131-LED4-900 | LEG SHIELD | LEG SHIELD | 1 | 42.25 | |
| ** | 88110 | 88110-LAC7-810 | MIRROR ASSY R BACK | MIRROR ASSY R BACK | 1 | 22.75 | |
| ** | 88120 | 88120-LAC7-910 | MIRROR ASSY L BACK | MIRROR ASSY L BACK | 1 | 22.75 | |
| | 90301 | 90301-4C73-004 | NUT U 6MM **473-0040 C.2005.03.01 | NUT U 6MM **473-0040 C.2005.03.01 | 2 | 0.25 | |
| | 90302 | 90302-KEC8-910 | BOLT PAN 5*9 | BOLT PAN 5*9 | 2 | 3.25 | |
| | 90302B | 90302-LAC5-950 | BOLT-WASH 5*16 | BOLT-WASH 5*16 | 4 | 3.25 | |
| | 90302A | 90302-SDA4-004 | NUT SPRING 4MM **SA4-0040 | NUT SPRING 4MM **SA4-0040 | 1 | 0.26 | |



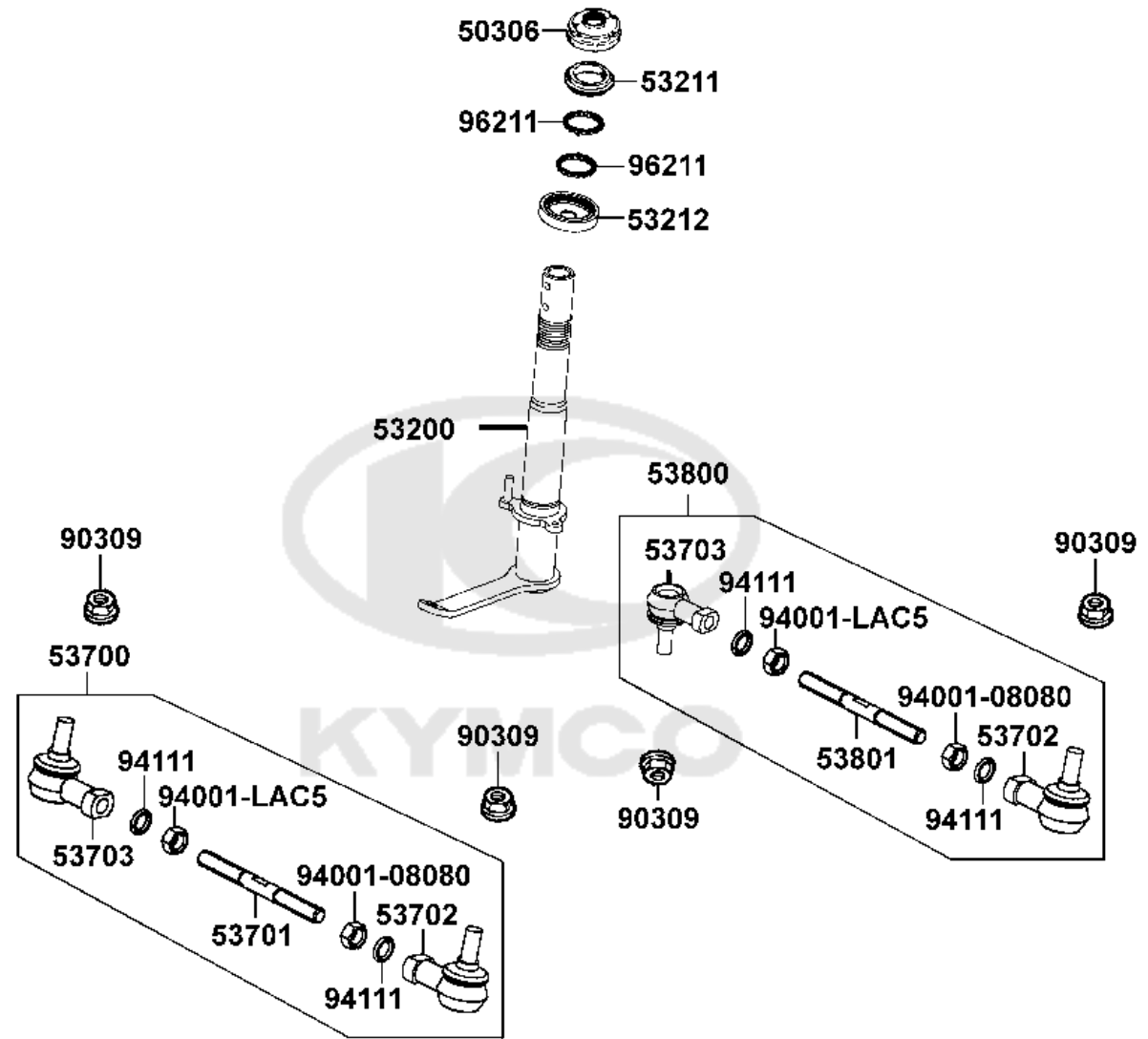
| Sales mark | Ref no | Part no | Description | Reg description | Regd no | Ref Price | F02 |
|------------|--------|-----------------|----------------------------------|--------------------------------------|---------|-----------|-----|
| | 90309 | 90309-LDB4-90A | NUT U FLANGE 8MM | NUT U FLANGE 8MM | 1 | 3.25 | |
| | 93500 | 93500-04010-0F | SCREW PAN 4X10(G) | SCREW PAN 4X10(G) | 1 | 0.64 | |
| | 93500A | 93500-04012-0HG | SCREW PAN 4*12 | SCREW PAN 4*12 | 4 | 3.25 | |
| | 93600 | 93600-02008-0A | SCREW FLAT 2.5*8 | SCREW FLAT 2.5*8 | 2 | 3.25 | |
| | 93901 | 93901-32120 | SCREW TAPPING 3*8 **(1) C.V. | SCREW TAPPING 3*8 **(1) C.V. | 2 | 0.26 | |
| | 93903 | 93903-25460 | SCREW TAPPING 5*20 **93903-25480 | SCREW TAPPING 5*20 **93903-25480 | 2 | 0.25 | |
| | 93903A | 93903-34380-G | SCREW TAPPING 4x12 | SCREW TAPPING 4x12 | 1 | 3.25 | |
| | 93903A | 93903-GFY6-910 | BOLT-WASH 5*12 | BOLT-WASH 5*12 | 2 | 3.25 | |
| | 94001 | 94001-06080-0SG | NUT HEX 6MM | NUT HEX 6MM | 1 | 3.25 | |
| | 94050 | 94050-05080-G | NUT FLANGE 5MM(Cr3+) ALT 94050- | NUT FLANGE 5MM(Cr3+) ALT 94050-05080 | 2 | | |
| | 94050A | 94050-06080-G | NUT FLANGE 6MM | NUT FLANGE 6MM | 2 | 0.49 | |
| | 94050B | 94050-08080-G | NUT FLANGE 8MM (C) | NUT FLANGE 8MM (C) | 1 | 0.49 | |
| | 95701 | 95701-06020-06 | BOLT FLANGE 6*20 | BOLT FLANGE 6*20 | 1 | 0.50 | |
| | 95801 | 95801-08035-06 | BOLT FLANGE 8*35 **LLJ1-900 | BOLT FLANGE 8*35 **LLJ1-900 | 1 | 0.36 | |
| | 95801A | 95801-08045-08G | BOLT FLANGE 8*45 | BOLT FLANGE 8*45 | 1 | 0.49 | |



| Sales mark | Ref no | Part no | Description | Reg description | Regd no | Ref Price | F03 |
|------------|-------------|----------------|------------------------------------|------------------------------------|---------|-----------|-----|
| ** | 64302 | 64302-LAC5-900 | FRONT PLASTIC BUMPER- SUPER | FRONT PLASTIC BUMPER- SUPER 4/6/8/ | 1 | 8.45 | |
| ** | 64310 | 64310-LAC5-900 | FLOOR PANEL | FLOOR PANEL | 1 | 81.25 | |
| ** | 64311 | 64311-LAC5-900 | MOLD A | MOLD A | 2 | 3.25 | |
| ** | 64316 | 64316-LAC5-900 | PLUG FLOOR | PLUG FLOOR | 2 | 3.25 | |
| ** | 64320 | 64320-LAC5-900 | FLOOR MAT- MIDI RANGE- BLACK | FLOOR MAT- MIDI RANGE- BLACK MAT | 1 | 11.05 | |
| ** | 64330 | 64330-LAC5-900 | COVER FLOOR | COVER FLOOR | 1 | 9.75 | |
| | 90023 | 90023-LAC5-001 | BOLT SEAT LOCK 6X13.5 | BOLT SEAT LOCK 6X13.5 | 2 | 3.25 | |
| | 90301-6C93 | 90301-LAC5-001 | NUT 6MM OPENSTAY | NUT 6MM OPENSTAY | 3 | 3.25 | |
| | 90301-6D34 | 90301-LAC5-671 | NUT FLANGE 6MM | NUT FLANGE 6MM | 6 | 3.25 | |
| | 90302 | 90302-SDA4-004 | NUT SPRING 4MM **SA4-0040 | NUT SPRING 4MM **SA4-0040 | 1 | 0.26 | |
| | 93903-14360 | 93903-14380-G | SCREWTAPPING 4x12 | SCREWTAPPING 4x12 | 1 | 3.25 | |
| | 93903-34360 | 93903-34380-G | SCREW TAPPING 4x12 | SCREW TAPPING 4x12 | 1 | 3.25 | |
| | 90301-6C93 | 94050-06060 | NUT FLANGE 6MM | NUT FLANGE 6MM | 1 | 0.49 | |
| | 90301-6C93 | 95701-06012-06 | BOLT FLANGE 6*12 **07 C.2005.07.01 | BOLT FLANGE 6*12 **07 C.2005.07.01 | 1 | 0.47 | |

F04

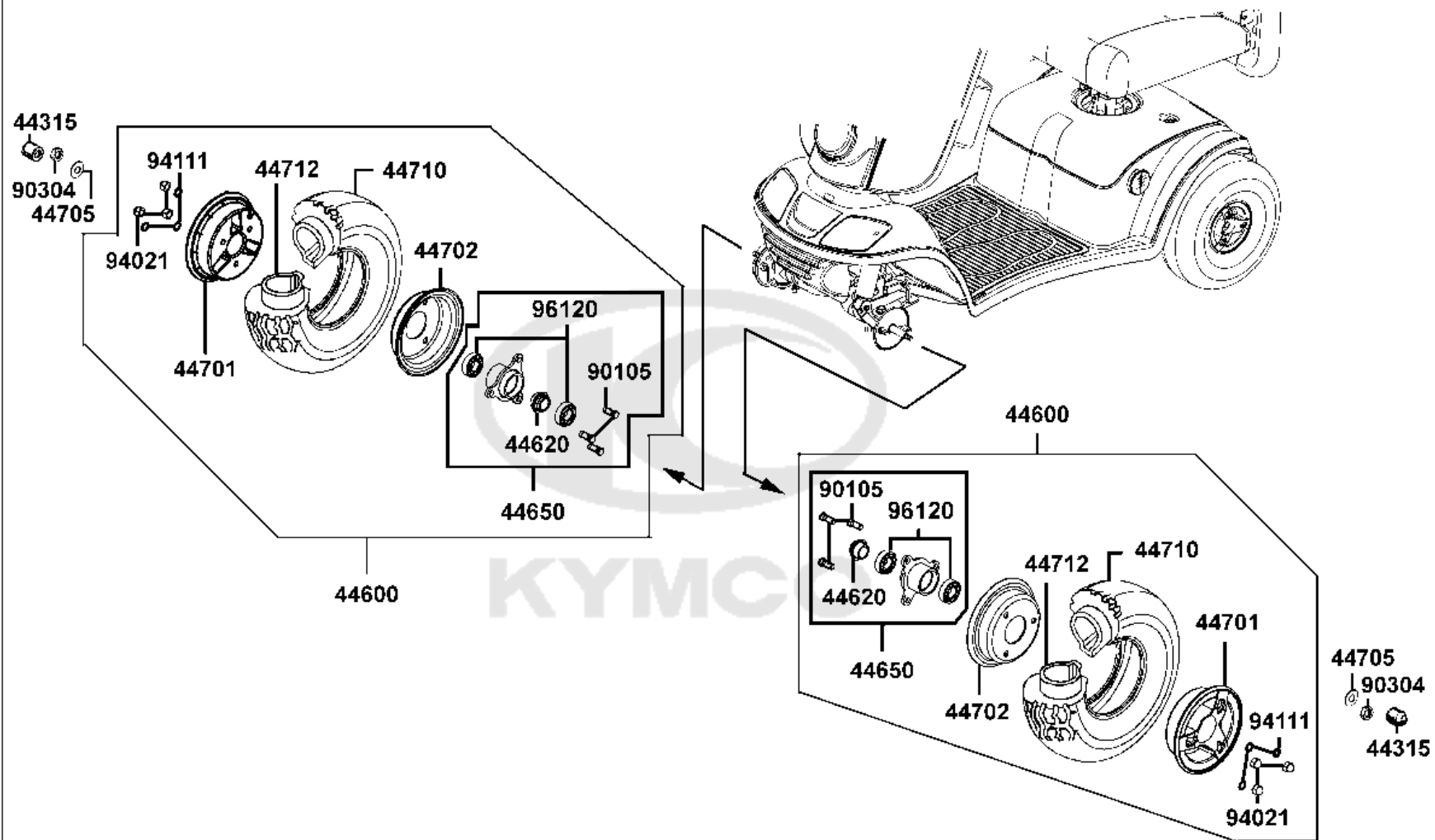
Steering Stem



| Sales mark | Ref no | Part no | Description | Reg description | Regd no | Ref Price | F04 |
|------------|-------------|----------------|-----------------------------------|------------------------------------|---------|-----------|-----|
| | 50306 | 50306-LDB4-001 | NUT STRG STEM LOCK | NUT STRG STEM LOCK | 1 | 5.20 | |
| | 53200 | 53200-LDB4-900 | STEM COMP STRG | STEM COMP STRG | 1 | 16.25 | |
| | 53211 | 53211-GFY6-940 | RACE STRG TOP CONE **GY6-9400 | RACE STRG TOP CONE **GY6-9400 | 1 | 1.87 | |
| | 53212 | 53212-LDB4-004 | ORDER 53212-GHC8-004 | ORDER 53212-GHC8-004 | 1 | 3.25 | |
| | 53700 | 53700-LAC5-700 | ROAD ASSY STEERING alt 53700-LAC5 | ROAD ASSY STEERING alt 53700-LAC5- | 2 | 13.00 | |
| | 53701 | 53701-LAC5-700 | ROD COMP SWING | ROD COMP SWING | 1 | 16.25 | |
| | 53702 | 53702-LAC5-900 | BALL JOINT R | BALL JOINT R | 2 | 6.50 | |
| | 53703 | 53703-LAC5-900 | JOINT L BALL | JOINT L BALL | 2 | 16.25 | |
| | 53800 | 53800-LAC5-700 | ROD ASSY STEERING | ROD ASSY STEERING | 1 | 13.00 | |
| | 53801 | 53801-LAC5-700 | ROD COMP STEERING | ROD COMP STEERING | 1 | 11.70 | |
| | 90309 | 90309-LDB4-90A | NUT U FLANGE 8MM | NUT U FLANGE 8MM | 4 | 3.25 | |
| | 94001-08080 | 94001-08080-0S | NUT HEX 8MM | NUT HEX 8MM | 2 | 0.49 | |
| | 94001-LAC5 | 94001-LAC5-900 | NUT HEX 8MM L | NUT HEX 8MM L | 2 | 0.55 | |
| | 94111 | 94111-08800 | WASHER SPRING 8MM | WASHER SPRING 8MM | 4 | 0.33 | |
| | 96211 | 96211-05000 | BALL BEARING PACK OF 100 | BALL BEARING PACK OF 100 | 55 | 3.25 | |

F05

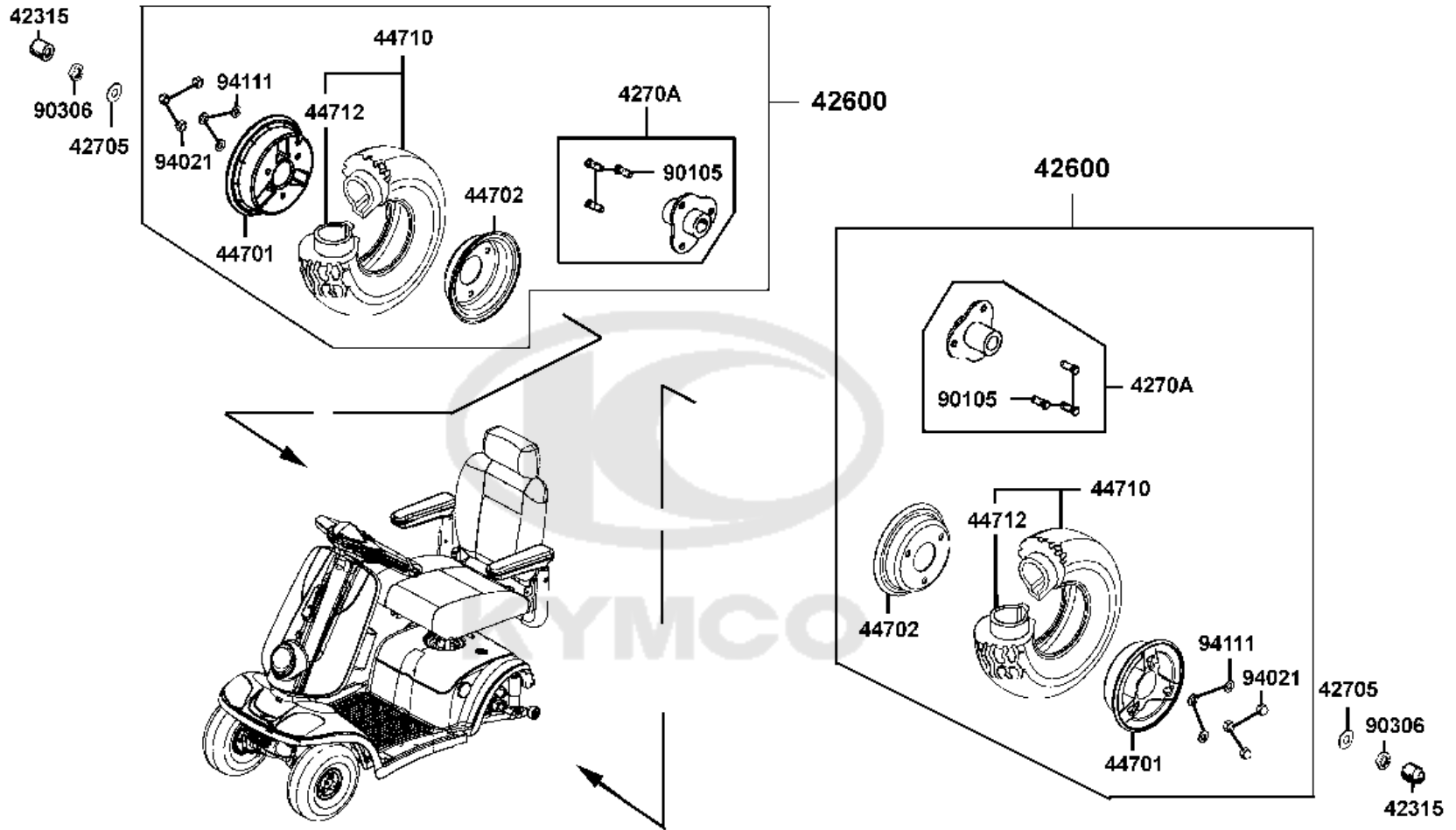
Front Wheel



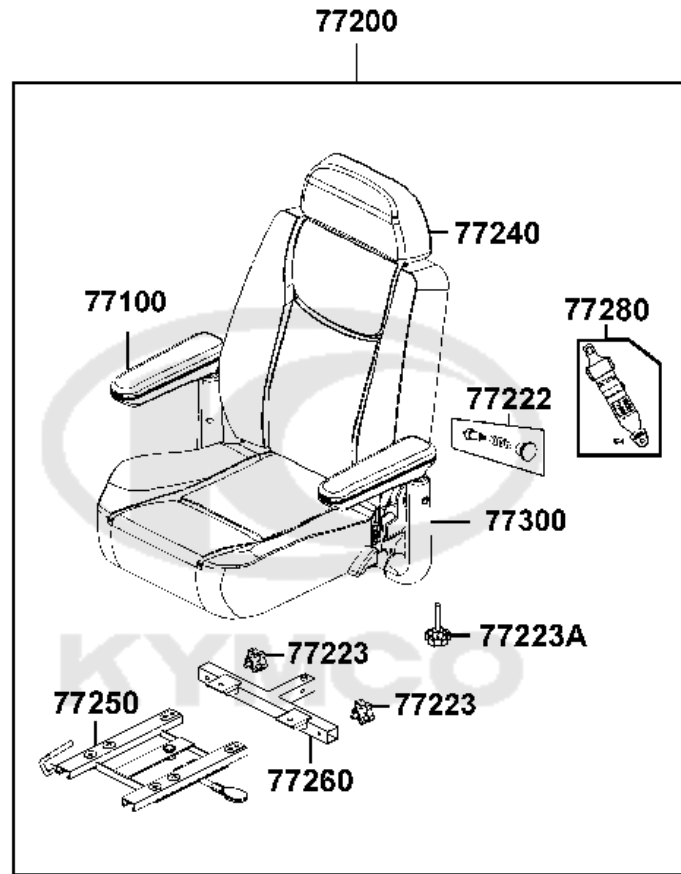
| Sales mark | Ref no | Part no | Description | Reg description | Regd no | Ref Price | F05 |
|------------|--------|----------------|--------------------------------|-----------------------------------|---------|-----------|-----|
| | 44315 | 44315-LAC5-900 | CAP FR AXLE **(0) C.2003.10.22 | CAP FR AXLE **(0) C.2003.10.22 | 2 | 3.25 | |
| | 44600 | 44600-LAC5-E00 | WHEEL ASSY FR | WHEEL ASSY FR | 2 | 44.00 | |
| | 44620 | 44620-LAC5-900 | DIST COLLAR | DIST COLLAR | 2 | 3.25 | |
| | 44650 | 44650-LAC5-900 | WHEEL COMP FR | WHEEL COMP FR | 2 | 18.85 | |
| | 44701 | 44701-LAC5-900 | RIM CAST FR | RIM CAST FR | 2 | 13.00 | |
| | 44701 | 44701-LAC5-930 | RIM CAST FR RH | RIM CAST FR RH | 2 | 24.05 | |
| | 44702 | 44702-LAC5-900 | RIM COMP FR | RIM COMP FR | 2 | 12.35 | |
| | 44702 | 44702-LAC5-930 | ORDER 44701-LAC5-900 | ORDER 44701-LAC5-900 | 2 | 5.20 | |
| | 44705 | 44705-LAC5-900 | WASHER 12MM | WASHER 12MM | 2 | 3.25 | |
| | 44710 | 44710-LAC5-90B | TIRE ASSY RR /MIDI GREY | TIRE ASSY RR /MIDI GREY PNEUMATIC | 2 | 22.00 | |
| | 44712 | 44712-LAC5-900 | TUBE TIRE **(0) C.2005.09.08 | TUBE TIRE **(0) C.2005.09.08 | 2 | 7.22 | |
| | 90105 | 90105-LAC5-900 | BOLT M8*20 **(0) C.2005.09.08 | BOLT M8*20 **(0) C.2005.09.08 | 6 | 3.25 | |
| | 90304 | 90304-LDB4-90A | NUT U FLANGE 10MM | NUT U FLANGE 10MM | 2 | 3.25 | |
| | 94021 | 94021-08070-0S | NUT HEX CAP 8MM | NUT HEX CAP 8MM | 6 | 3.25 | |
| | 94111 | 94111-08800 | WASHER SPRING 8MM | WASHER SPRING 8MM | 6 | 0.33 | |
| | 96120 | 96120-60020-00 | BEARING RAD 6002 | BEARING RAD 6002 | 2 | 4.74 | |

F06

Rear Wheel

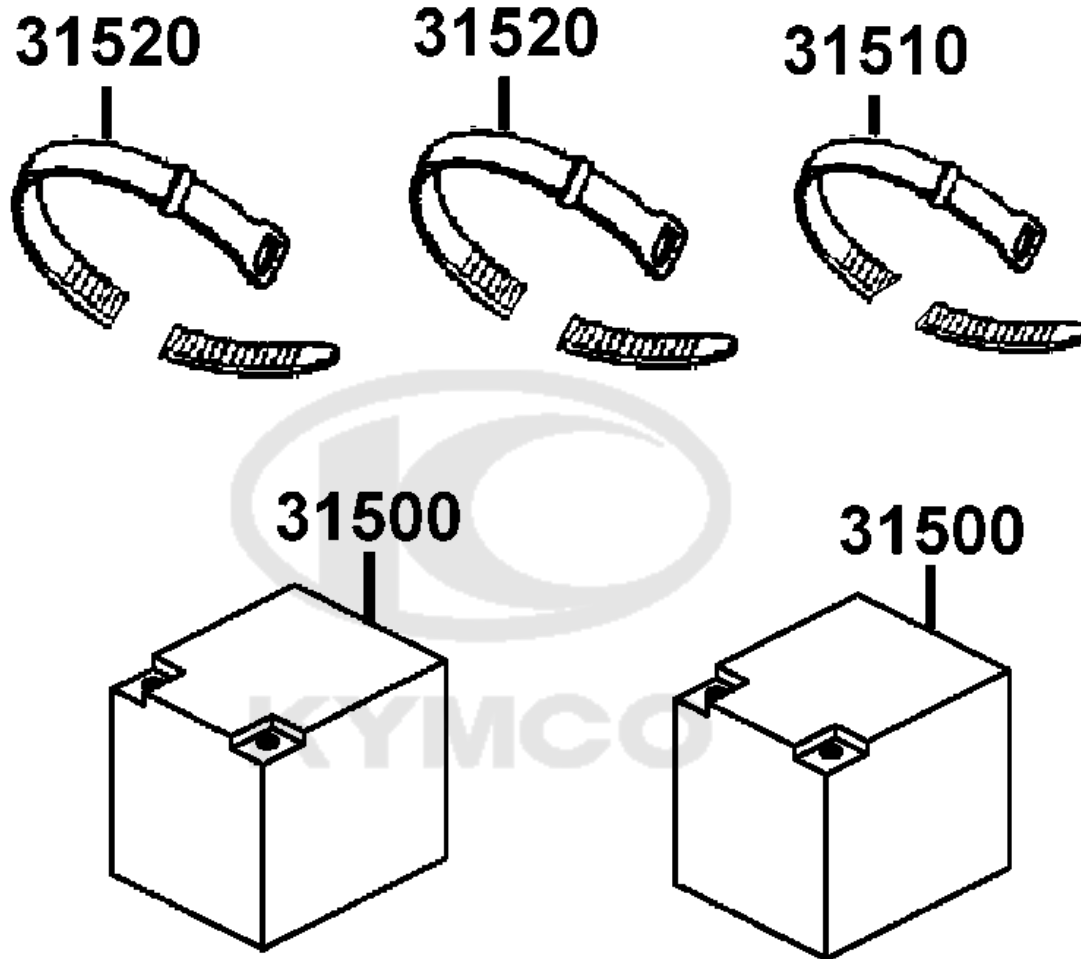


| Sales mark | Ref no | Part no | Description | Reg description | Regd no | Ref Price | F06 |
|------------|--------|----------------|--------------------------------|-----------------------------------|---------|-----------|-----|
| | 42315 | 42315-LAC5-900 | CAP RR AXLE **(0) C.2003.10.22 | CAP RR AXLE **(0) C.2003.10.22 | 2 | 3.25 | |
| | 42600 | 42600-LAC5-E00 | WHEEL ASSY REAR | WHEEL ASSY REAR | 2 | 38.00 | |
| | 42705 | 42705-LAC5-900 | WASHER 12MM RR WHEEL | WASHER 12MM RR WHEEL | 2 | 3.25 | |
| | 4270A | 4270A-LAC5-900 | CONNECTOR ASSY RR | CONNECTOR ASSY RR | 2 | 13.00 | |
| | 44701 | 44701-LAC5-900 | RIM CAST FR | RIM CAST FR | 2 | 13.00 | |
| | 44701 | 44701-LAC5-930 | RIM CAST FR RH | RIM CAST FR RH | 2 | 24.05 | |
| | 44702 | 44702-LAC5-900 | RIM COMP FR | RIM COMP FR | 2 | 12.35 | |
| | 44702 | 44702-LAC5-930 | ORDER 44701-LAC5-900 | ORDER 44701-LAC5-900 | 2 | 5.20 | |
| | 44710 | 44710-LAC5-90B | TIRE ASSY RR /MIDI GREY | TIRE ASSY RR /MIDI GREY PNEUMATIC | 2 | 22.00 | |
| | 44712 | 44712-LAC5-900 | TUBE TIRE **(0) C.2005.09.08 | TUBE TIRE **(0) C.2005.09.08 | 2 | 7.22 | |
| | 90105 | 90105-LAC5-900 | BOLT M8*20 **(0) C.2005.09.08 | BOLT M8*20 **(0) C.2005.09.08 | 6 | 3.25 | |
| | 90306 | 90306-LDB4-90A | NUT U FLANGE 10MM | NUT U FLANGE 10MM | 2 | 3.25 | |
| | 94021 | 94021-08020-0S | NUT HEX CAP 8MM | NUT HEX CAP 8MM | 6 | 3.25 | |
| | 94111 | 94111-08800 | WASHER SPRING 8MM | WASHER SPRING 8MM | 6 | 0.33 | |



| Sales mark | Ref no | Part no | Description | Reg description | Regd no | Ref Price | F07 |
|------------|--------|----------------|------------------------|------------------------|---------|-----------|-----|
| | 77100 | 77100-LAC5-900 | R/H USE 77100-LDB4-700 | R/H USE 77100-LDB4-700 | 1 | 31.20 | |
| ** | 77200 | 77200-LAC5-700 | SEAT ASSY | SEAT ASSY | 1 | 206.81 | |
| | 77222 | 77222-LAC5-700 | DRAW BAR | DRAW BAR | 1 | 8.45 | |
| | 77223 | 77223-LAC5-305 | BOLT LOCK ARM REST | BOLT LOCK ARM REST | 2 | 3.25 | |
| | 77223A | 77223-LDB4-305 | BOLT LOCK ARM REST | BOLT LOCK ARM REST | 1 | 1.19 | |
| | 77240 | 77240-LAC5-700 | HEAD REST | HEAD REST | 1 | 19.50 | |
| | 77250 | 77250-LAC5-700 | BASE ASSY SEAT | BASE ASSY SEAT | 1 | 55.25 | |
| | 77260 | 77260-LAC5-700 | STAY ASSY RR SEAT | STAY ASSY RR SEAT | 1 | 13.00 | |
| | 77280 | 77280-LAC5-700 | SEAT BELT | SEAT BELT | 1 | 22.80 | |
| | 77300 | 77300-LAC5-900 | L/H USE 77300-LDB4-700 | L/H USE 77300-LDB4-700 | 1 | 31.20 | |

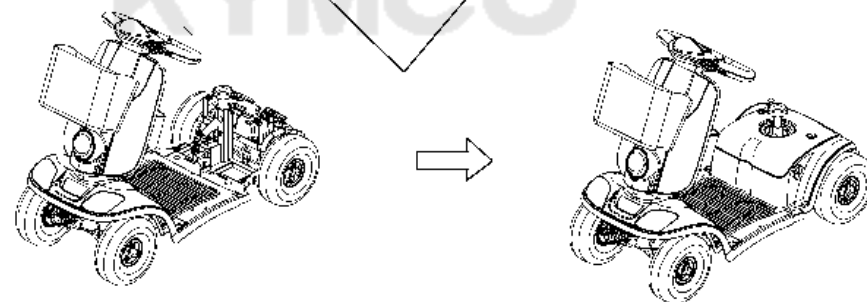
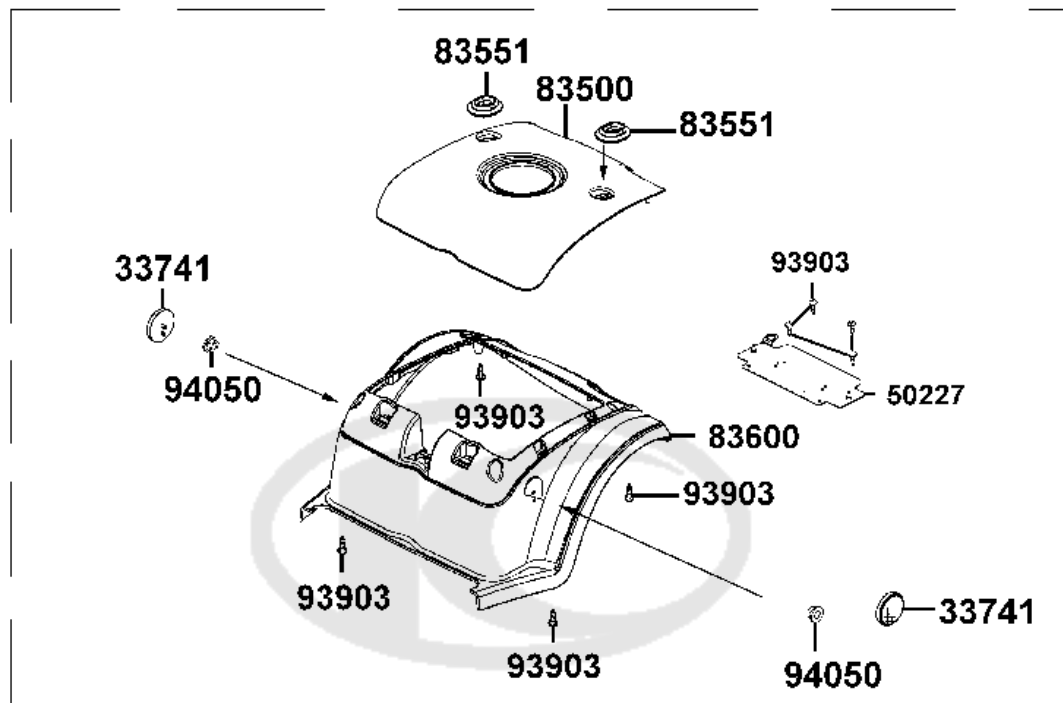





| Sales mark | Ref no | Part no | Description | Reg description | Regd no | Ref Price | F08 |
|------------|--------|---------|-------------|-----------------|---------|-----------|------------|
|------------|--------|---------|-------------|-----------------|---------|-----------|------------|

| | | | | | | | |
|--|-------|----------------|--------------------------|--------------------------|---|--------|--|
| | 31500 | 31500-LDB4-900 | BATTERY 12V 50AH | BATTERY 12V 50AH | 2 | 191.99 | |
| | 31500 | 31500-LDB4-90A | BATTERY 12V 50AH (YUASA) | BATTERY 12V 50AH (YUASA) | 2 | 100.00 | |
| | 31510 | 31510-LAC5-900 | BAND BATTERY | BAND BATTERY | 1 | 3.25 | |
| | 31520 | 31520-LAC5-900 | BAND B BATTERY | BAND B BATTERY | 2 | 3.25 | |

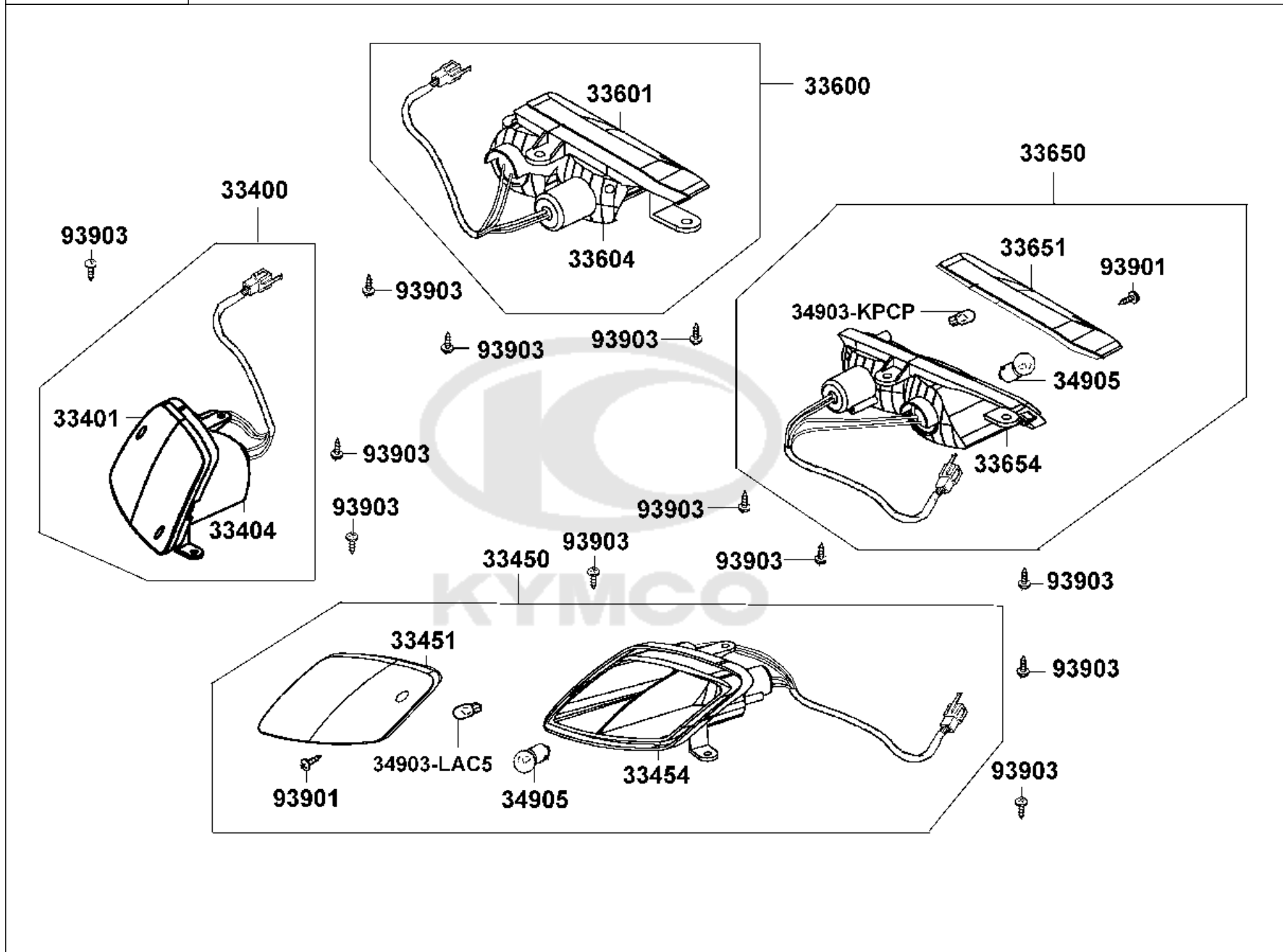




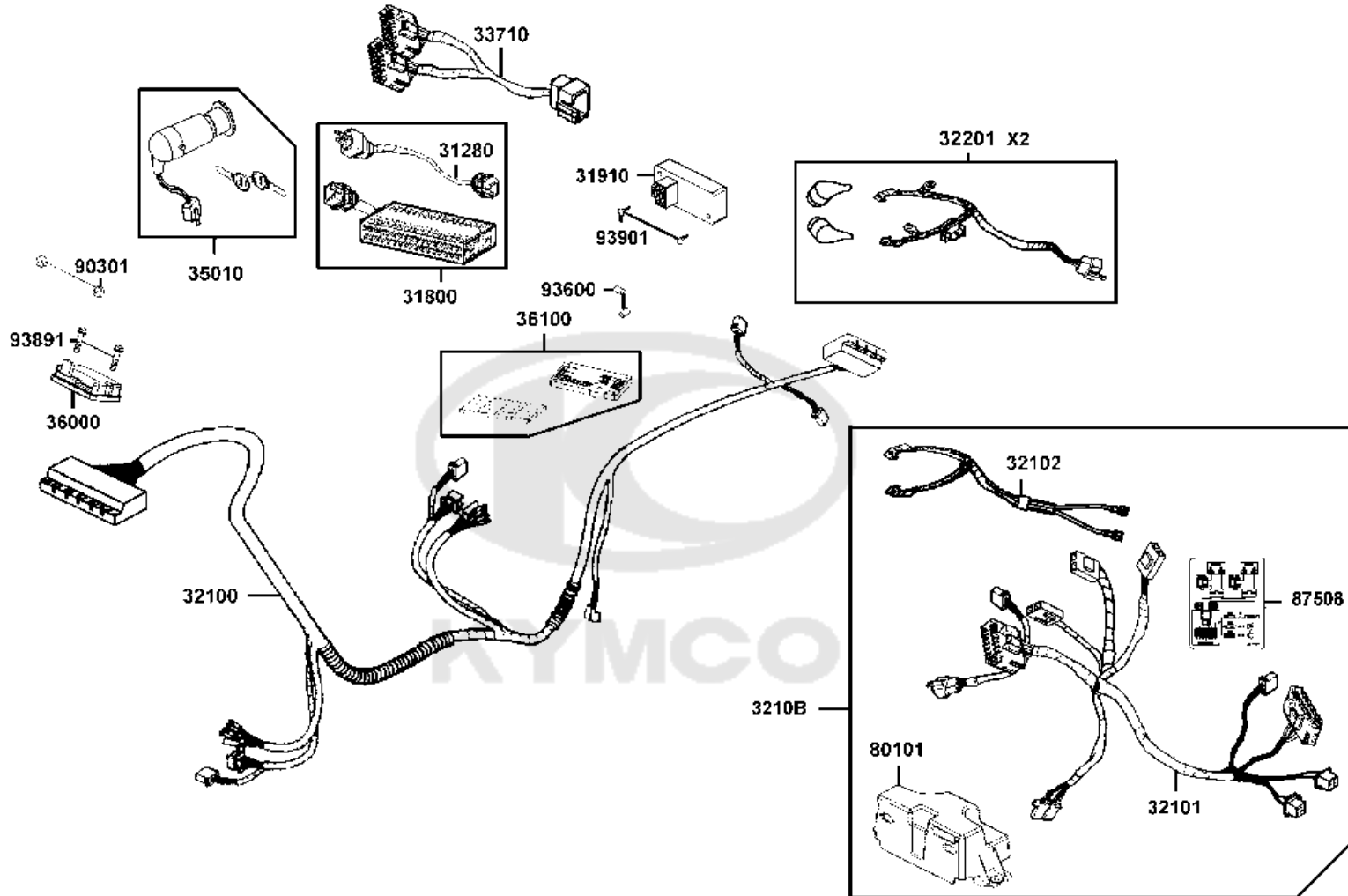
| Sales mark | Ref no | Part no | Description | Reg description | Regd no | Ref Price | F09 |
|---|--------|----------------|---------------------------------|---------------------------------|---------|-----------|------------|
| | 33741 | 33741-GFY6-C30 | REFLEX REFLECTOR ORANGE | REFLEX REFLECTOR ORANGE | 2 | 2.08 | |
| | 50227 | 50227-LDB4-900 | STAY ECU | STAY ECU | 1 | 9.10 | |
| ** | 83500 | 83500-LAC5-900 | REAR BATTERY COVER- MIDI RANGE- | REAR BATTERY COVER- MIDI RANGE- | 1 | 22.75 | |
| | 83551 | 83551-KKAK-900 | GROMMET AIR/C CASE **KAK-9000 | GROMMET AIR/C CASE **KAK-9000 | 2 | 0.64 | |
| ** | 83600 | 83600-LAC5-900 | BODY COVER LOW | BODY COVER LOW | 1 | 65.00 | |
| | 93903 | 93903-34380-G | SCREW TAPPING 4x12 | SCREW TAPPING 4x12 | 1 | 3.25 | |
| | 94050 | 94050-06080-G | NUT FLANGE 6MM | NUT FLANGE 6MM | 2 | 0.49 | |
|  | | | | | | | |

F10

Winker Assy RH



| Sales mark | Ref no | Part no | Description | Reg description | Regd no | Ref Price | F10 |
|------------|------------|----------------|----------------------------------|----------------------------------|---------|-----------|-----|
| | 33400 | 33400-LAC5-900 | WINKER ASSY RH FR | WINKER ASSY RH FR | 1 | 16.25 | |
| | 33401 | 33401-LAC5-900 | LENS COMP R FR WINKER | LENS COMP R FR WINKER | 1 | 6.50 | |
| | 33404 | 33404-LAC5-900 | BASE COMP R FR WINKER | BASE COMP R FR WINKER | 1 | 26.00 | |
| | 33450 | 33450-LAC5-900 | WINKER ASSY LH FR | WINKER ASSY LH FR | 1 | 16.25 | |
| | 33451 | 33451-LAC5-900 | LENS L FR WINKER CLEAR/ORANGE | LENS L FR WINKER CLEAR/ORANGE | 1 | 6.50 | |
| | 33454 | 33454-LAC5-900 | BASE COMP L FR WINKER | BASE COMP L FR WINKER | 1 | 9.75 | |
| | 33600 | 33600-LDB4-E90 | WINKER ASSY RH RR | WINKER ASSY RH RR | 1 | 16.25 | |
| | 33601 | 33601-LAC5-900 | LENS COMP R RR WINKER | LENS COMP R RR WINKER | 1 | 6.50 | |
| | 33604 | 33604-LAC5-900 | BASE COMP R RR WINKER | BASE COMP R RR WINKER | 1 | 9.75 | |
| | 33650 | 33650-LDB4-E90 | WINKER ASSY LH RR | WINKER ASSY LH RR | 1 | 16.25 | |
| | 33651 | 33651-LAC5-900 | LENS COMP L RR WINKER | LENS COMP L RR WINKER | 1 | 6.50 | |
| | 33654 | 33654-LAC5-900 | BASE COMP L RR WINKER | BASE COMP L RR WINKER | 1 | 6.50 | |
| | 34903-KPCP | 34903-KPCP-900 | BULB POSITION LIGHT 12V5W **KCP- | BULB POSITION LIGHT 12V5W **KCP- | 2 | 1.43 | |
| | 34903-LAC5 | 34903-LAC5-900 | BULB POSITION | BULB POSITION | 4 | 3.25 | |
| | 34905 | 34905-LAC5-900 | BULB WINKER 24V 10W | BULB WINKER 24V 10W | 4 | 3.25 | |
| | 93901 | 93901-32310 | SCREW TAPPING 3*12 | SCREW TAPPING 3*12 | 4 | 3.25 | |
| | 93903 | 93903-34380-G | SCREW TAPPING 4x12 | SCREW TAPPING 4x12 | 1 | 3.25 | |




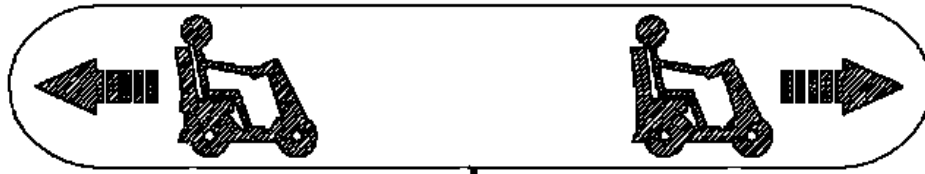
| Sales mark | Ref no | Part no | Description | Reg description | Regd no | Ref Price | F11 |
|------------|--------|-----------------|-------------------------------|-------------------------------|---------|-----------|-----|
| | 31280 | 31280-LAC5-E20 | CORD AC POWER | CORD AC POWER | 1 | 6.50 | |
| | 31800 | 31800-LAC5-E21 | BATTERY CHARGER ASSY | BATTERY CHARGER ASSY | 1 | 70.00 | |
| | 31910 | 31910-LDB4-E90 | CONTROL UNIT STOP LIGHT | CONTROL UNIT STOP LIGHT | 1 | 15.60 | |
| | 32100 | 32100-LAC5-710 | HARNESS WIRE MAIN LOOM | HARNESS WIRE MAIN LOOM | 1 | 26.00 | |
| | 32101 | 32101-LDB4-E22 | SUB HARNESS A | SUB HARNESS A | 1 | 24.70 | |
| | 32102 | 32102-LDB4-E21 | CORD SET POWER | CORD SET POWER | 1 | 30.65 | |
| | 3210B | 3210B-LDB4-E22 | ASSY SUN HARNESS & POWER CORD | ASSY SUN HARNESS & POWER CORD | 1 | 48.75 | |
| | 32201 | 32201-LDB4-E21 | CONNECT CORD BATTERY | CONNECT CORD BATTERY | 2 | 18.20 | |
| | 33710 | 33710-LDB4-900 | USE 33710-LAC5-900 | USE 33710-LAC5-900 | 1 | 16.25 | |
| | 35010 | 35010-LAC5-E00 | KEY SET | KEY SET | 1 | 16.25 | |
| | 36000 | 36000-LDB4-E27 | ELEC CONTROLLER UNIT | ELEC CONTROLLER UNIT | 1 | 156.00 | |
| | 36100 | 36100-LED4-900 | CONTROL METER | CONTROL METER | 1 | 26.00 | |
| | 80101 | 80101-LDB4-900 | COVER ELEC CONTROL UNIT | COVER ELEC CONTROL UNIT | 1 | 11.70 | |
| ** | 87508 | 87508-LDB4-900 | LABEL BATTERY | LABEL BATTERY | 1 | 3.25 | |
| | 90301 | 90301-LAC5-671 | NUT FLANGE 6MM | NUT FLANGE 6MM | 6 | 3.25 | |
| | 93600 | 93600-02008-0A | SCREW FLAT 2.5*8 | SCREW FLAT 2.5*8 | 2 | 3.25 | |
| | 93891 | 93891-05030-08G | SCREW WASHER 5*3 | SCREW WASHER 5*3 | 1 | 3.25 | |
| | 93901 | 93901-32120 | SCREW TAPPING 3*8 **(1) C.V. | SCREW TAPPING 3*8 **(1) C.V. | 2 | 0.26 | |

| Sales mark | Ref no | Part no | Description | Reg description | Regd no | Ref Price | F12 |
|------------|--------|----------------|-----------------------------------|------------------------------------|---------|-----------|-----|
| | 33741 | 33741-KEBE-900 | REFLEX REFLECTOR **KBE-9000 | REFLEX REFLECTOR **KBE-9000 | 2 | 2.83 | |
| | 33741A | 33741-LDB4-900 | REFLEX RELECTOR ALT 33741-KEBE- | REFLEX RELECTOR ALT 33741-KEBE-900 | 2 | 2.83 | |
| | 42800 | 42800-LAC5-900 | ANTI-TIP WHEEL | ANTI-TIP WHEEL | 2 | 3.25 | |
| | 45100 | 45100-LDB4-900 | PANEL COMP FR R/H | PANEL COMP FR R/H | 1 | 13.00 | |
| | 4512A | 4512A-LAC5-900 | Brake shoe | Brake shoe | 2 | 6.04 | |
| | 45133 | 45133-LAC5-900 | SPG BRAKE SHOE **(0) C.2005.07.13 | SPG BRAKE SHOE **(0) C.2005.07.13 | 2 | 0.81 | |
| | 45141 | 45141-LAC5-900 | CAM FR BRK R/H | CAM FR BRK R/H | 1 | 13.00 | |
| | 45410 | 45410-LAC5-900 | ARM FR BRK R/H | ARM FR BRK R/H | 1 | 13.00 | |
| | 46100 | 46100-LDB4-900 | PANEL COMP FR L/H | PANEL COMP FR L/H | 1 | 13.00 | |
| | 46410 | 46410-LAC5-900 | ARM FR BRAKE L/H | ARM FR BRAKE L/H | 1 | 9.75 | |
| | 47403 | 47403-LBB7-E00 | COLLAR STRG SHAFT | COLLAR STRG SHAFT | 2 | 3.25 | |
| | 50100 | 50100-LED4-E21 | BODY COMP FRAME | BODY COMP FRAME | 1 | 156.00 | |
| | 50114 | 50114-LBE1-920 | BRKT L RR FORK | BRKT L RR FORK | 1 | 6.50 | |
| | 50118 | 50118-LDB4-900 | BAR FR BUMPER | BAR FR BUMPER | 1 | 5.20 | |
| | 50119 | 50119-LDB4-900 | PIPE,FR. GRIP | PIPE,FR. GRIP | 1 | 18.20 | |
| | 5011A | 5011A-LDB4-E20 | FRONT FRAME ASSY | FRONT FRAME ASSY | 1 | 70.00 | |
| | 50120 | 50120-LDB4-900 | BODY COMP REAR FRAME | BODY COMP REAR FRAME | 1 | 91.00 | |
| | 5012A | 5012A-LDB4-900 | REAR FRAME ASSY | REAR FRAME ASSY | 1 | 91.00 | |
| | 50135 | 50135-LDB4-900 | PIPE B SEAT SET | PIPE B SEAT SET | 1 | 18.20 | |
| | 50135 | 50135-LDB4-920 | ALT 50135-LDB4-900 | ALT 50135-LDB4-900 | 1 | 18.20 | |

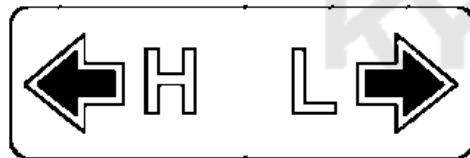
| Sales mark | Ref no | Part no | Description | Reg description | Regd no | Ref Price | F12 |
|------------|--------|----------------|----------------------------|--------------------------------------|---------|-----------|-----|
| | 50222 | 50222-LAC5-900 | RUBBER BATTERY SET | RUBBER BATTERY SET | 8 | 3.25 | |
| | 50231 | 50231-LDB4-900 | BRKT RH ANTI-TIP WHEEL | BRKT RH ANTI-TIP WHEEL | 2 | 7.80 | |
| | 50234 | 50234-LBE1-900 | SHAFT BRAKE LEAVE **(0) | SHAFT BRAKE LEAVE **(0) C.2005.09.21 | 1 | 5.85 | |
| | 5023A | 5023A-LDB4-900 | ANTI-TIP WHEEL RH | ANTI-TIP WHEEL RH | 2 | 9.10 | |
| | 50301 | 50301-LDB4-001 | RACE UP STRG BALL | RACE UP STRG BALL | 2 | 3.25 | |
| | 50302 | 50302-LDB4-900 | SHAFT SET LOCK | SHAFT SET LOCK | 1 | 3.25 | |
| | 50304 | 50304-LDB4-900 | COLLAR FRAME LOCK | COLLAR FRAME LOCK | 1 | 3.25 | |
| | 50305 | 50305-LAC5-900 | RUBBER MOTOR | RUBBER MOTOR | 2 | 4.55 | |
| | 50305A | 50305-LDB4-004 | RACE UNDER STRG BALL | RACE UNDER STRG BALL | 2 | 3.25 | |
| | 50308 | 50308-LDB4-900 | BAR BRAKE LEAVE | BAR BRAKE LEAVE | 1 | 3.25 | |
| | 50309 | 50309-LAC5-900 | BRAKE LEAVE KNOB | BRAKE LEAVE KNOB | 1 | 3.25 | |
| | 50310 | 50310-LAC5-900 | BOLT LOCK PIN | BOLT LOCK PIN | 2 | 3.25 | |
| | 51400 | 51400-LDB4-820 | CUSHION ASSY FR/YELLOW ALT | CUSHION ASSY FR/YELLOW ALT 51400- | 2 | 27.30 | |
| | 5211A | 5211A-ACF5-E20 | REAR FORK ASSY | REAR FORK ASSY | 1 | 55.25 | |
| | 52400 | 52400-LDB4-820 | CUSHION ASSY RR/YELLOW | CUSHION ASSY RR/YELLOW | 2 | 27.30 | |
| | 52422 | 52422-LDB4-900 | SOCKET BOLT 8X42 | SOCKET BOLT 8X42 | 4 | 27.30 | |
| | 53101 | 53101-LDB4-900 | COLLAR REAR FORK | COLLAR REAR FORK | 2 | 3.25 | |
| | 53102 | 53102-LDB4-900 | COLLAR REAR FORK | COLLAR REAR FORK | 1 | 3.25 | |
| | 53402 | 53402-LBB7-E00 | WASHER | WASHER | 4 | 3.25 | |
| | 53407 | 53407-LDB4-900 | BOLT FLANGE 10X100 | BOLT FLANGE 10X100 | 1 | 3.25 | |

| Sales mark | Ref no | Part no | Description | Reg description | Regd no | Ref Price | F12 |
|------------|--------|-----------------|------------------------------------|--------------------------------------|---------|-----------|-----|
| | 5340A | 5340A-LDB4-900 | ARM SET RH SWING | ARM SET RH SWING | 1 | 53.77 | |
| | 5350A | 5350A-LDB4-900 | ARM SET LH SWING | ARM SET LH SWING | 1 | 53.77 | |
| | 83551 | 83551-LDB4-E20 | GROMMET.COVER ALT 83551-KKAK- | GROMMET.COVER ALT 83551-KKAK-900 | 1 | 3.25 | |
| ** | 83751 | 83751-LAC5-900 | BUMPER RR | BUMPER RR | 1 | 19.50 | |
| | 90304 | 90304-GHE8-004 | NUT U 10MM **GE8-0040 C.2005.03.01 | NUT U 10MM **GE8-0040 C.2005.03.01 | 3 | 0.68 | |
| | 90309 | 90309-LDB4-90A | NUT U FLANGE 8MM | NUT U FLANGE 8MM | 2 | 3.25 | |
| | 92101 | 92101-06020-0G | BOLT HEX 6X20 | BOLT HEX 6X20 | 2 | 0.23 | |
| | 93500 | 93500-04010-0F | SCREW PAN 4X10(G) | SCREW PAN 4X10(G) | 1 | 0.64 | |
| | 94001 | 94001-06080-0SG | NUT HEX 6MM | NUT HEX 6MM | 1 | 3.25 | |
| | 94001A | 94001-10080-0SG | NUT HEX 10MM | NUT HEX 10MM | 2 | 3.25 | |
| | 94021 | 94021-06060-0SG | NUT HEX CAP 6MM | NUT HEX CAP 6MM | 2 | 3.25 | |
| | 94050 | 94050-05080-G | NUT FLANGE 5MM(Cr3+) ALT 94050- | NUT FLANGE 5MM(Cr3+) ALT 94050-05080 | 2 | | |
| | 94050A | 94050-06080-G | NUT FLANGE 6MM | NUT FLANGE 6MM | 6 | 0.49 | |
| | 94050B | 94050-08060-G | NUT FLANGE 8MM | NUT FLANGE 8MM | 1 | 3.25 | |
| | 94101 | 94101-06800-G | WASHER PLAN 6MM | WASHER PLAN 6MM | 6 | 0.12 | |
| | 94251 | 94251-08400 | PIN LOCK 8MM | PIN LOCK 8MM | 1 | 0.68 | |
| | 94591 | 94591-27000 | CLIP 2*70 | CLIP 2*70 | 2 | 0.41 | |
| | 95701 | 95701-06012-06 | BOLT FLANGE 6*12 **07 C.2005.07.01 | BOLT FLANGE 6*12 **07 C.2005.07.01 | 2 | 0.47 | |
| | 95801 | 95801-06055-08G | BOLT FLANGE 6*55 | BOLT FLANGE 6*55 | 2 | 3.25 | |
| | 95801A | 95801-08035-08G | BOLT FLANGE 8*35 | BOLT FLANGE 8*35 | 6 | 3.25 | |

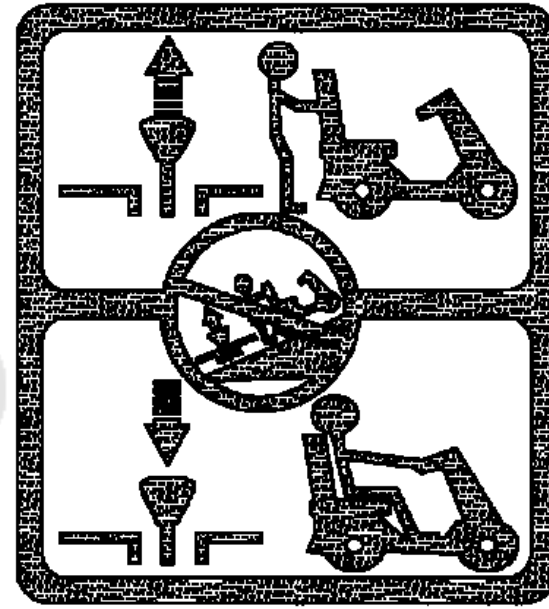
| Sales mark | Ref no | Part no | Description | Reg description | Regd no | Ref Price | F12 |
|---|--------|-----------------|-----------------------|-----------------------|---------|-----------|-----|
| | 95801B | 95801-08065-08G | BOLT FLANGE 8*65 | BOLT FLANGE 8*65 | 1 | | |
| | 95801C | 95801-10045-08G | BOLT FLANGE 10*45 (C) | BOLT FLANGE 10*45 (C) | 2 | 1.22 | |
| | 95801D | 95801-10080-06 | BOLT FLANGE 10X80 | BOLT FLANGE 10X80 | 2 | 3.25 | |
| | 96130 | 96130-60000-00 | BEARING 6000Z | BEARING 6000Z | 4 | 3.25 | |
| | 96700 | 96700-08015-07G | SCOKET BOLT 8*15 | SCOKET BOLT 8*15 | 1 | | |
| | 96700A | 96700-08030-08G | SOCKET BOLT 8X30 | SOCKET BOLT 8X30 | 2 | | |
|  | | | | | | | |



87560



87562

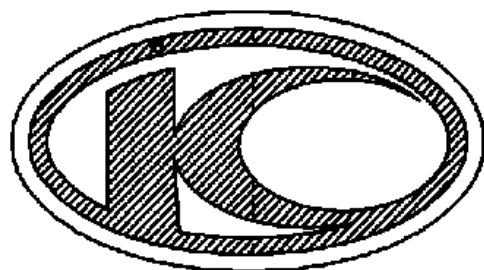


87501

| Sales mark | Ref no | Part no | Description | Reg description | Regd no | Ref Price | F13 |
|------------|--------|---------|-------------|-----------------|---------|-----------|------------|
|------------|--------|---------|-------------|-----------------|---------|-----------|------------|

| | | | | | | | |
|----|-------|----------------|-----------------------|-----------------------|---|------|--|
| ** | 87501 | 87501-LAC5-900 | USE CAUTION NEW BLACK | USE CAUTION NEW BLACK | 1 | 3.25 | |
| ** | 87560 | 87560-LAC5-900 | MARK DRIVE CAUTION | MARK DRIVE CAUTION | 1 | 3.25 | |
| ** | 87562 | 87562-LBE1-E00 | LABLE SPEED SW | LABLE SPEED SW | 1 | 3.25 | |





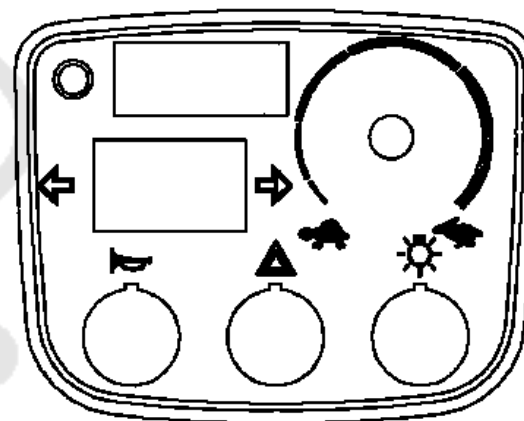
86102



87532



86201



86444

| Sales mark | Ref no | Part no | Description | Reg description | Regd no | Ref Price | F14 |
|------------|--------|----------------|-------------------|-------------------|---------|-----------|------------|
| ** | 86102 | 86102-LAB4-900 | EMB K-LOGO 24MM | EMB K-LOGO 24MM | 2 | 3.25 | |
| ** | 86201 | 86201-LDB4-900 | STRIPE BOBY COVER | STRIPE BOBY COVER | 1 | 3.25 | |
| ** | 86444 | 86444-LAC5-900 | EMB METER | EMB METER | 1 | 6.50 | |
| ** | 87532 | 87532-KGAG-V00 | MARK KYMCO | MARK KYMCO | 1 | 3.25 | |



35111



| Sales mark | Ref no | Part no | Description | Reg description | Regd no | Ref Price | F15 |
|------------|--------|---------|-------------|-----------------|---------|-----------|------------|
|------------|--------|---------|-------------|-----------------|---------|-----------|------------|

| | | | | | | | |
|-------|----------------|----------|----------|----------|---|------|--|
| 35111 | 35111-KNBN-920 | KEY COMP | KEY COMP | KEY COMP | 1 | 5.85 | |
|-------|----------------|----------|----------|----------|---|------|--|



PART NO. INDEX

| PART NO. | VERSION | PAGE | PART NO. | VERSION | PAGE | PART NO. | VERSION | PAGE |
|----------------|---------|------|----------------|---------|------|----------------|---------|------|
| 11000 | | | 32000 | | | 33651-LAC5-900 | 3 | F10 |
| 1110A-LDB4-E20 | 8 | E01 | 32100-LAC5-710 | 5 | F11 | 33654-LAC5-900 | 2 | F10 |
| 11302-LAC5-900 | 0 | E01 | 32101-LDB4-E22 | 3 | F11 | 33710-LDB4-900 | 2 | F11 |
| | | | 32102-LDB4-E21 | 3 | F11 | 33741-GFY6-C30 | 1 | F09 |
| 13000 | | | 3210B-LDB4-E22 | 3 | F11 | 33741-KEBE-900 | 3 | F12 |
| | | | 32201-LDB4-E21 | 2 | F11 | 33741-LDB4-900 | 2 | F12 |
| 13331-LAC5-900 | 0 | E01 | 32620-LAC5-900 | 5 | F02 | 34000 | | |
| | | | | | | 34010-LAC5-900 | 7 | F02 |
| 31000 | | | 33000 | | | 34901-KPCP-900 | 0 | F01 |
| 31280-LAC5-E20 | 2 | F11 | 33100-LBE1-900 | 2 | F01 | 34901-LBE1-910 | 0 | F01 |
| 31300-LDB4-E21 | 5 | E01 | 33100-LBE1-910 | 3 | F01 | 34903-KPCP-900 | 0 | F10 |
| 31340-LAC5-900 | 0 | E01 | 33105-LBE1-900 | 0 | F01 | 34903-LAC5-900 | 1 | F10 |
| 31345-LAC5-305 | 0 | E01 | 33160-LED4-900 | 2 | F01 | 34905-LAC5-900 | 1 | F10 |
| 31347-LAC5-305 | 0 | E01 | 33400-LAC5-900 | 6 | F10 | 35000 | | |
| 31350-LDB4-E20 | 0 | E01 | 33401-LAC5-900 | 1 | F10 | | | |
| 31500-LDB4-900 | 1 | F08 | 33404-LAC5-900 | 2 | F10 | 35010-LAC5-E00 | 2 | F11 |
| 31500-LDB4-90A | 5 | F08 | 33450-LAC5-900 | 6 | F10 | 35110-LAC5-900 | 5 | F02 |
| 31510-LAC5-900 | 4 | F08 | 33451-LAC5-900 | 1 | F10 | 35111-KNBN-920 | 0 | F15 |
| 31520-LAC5-900 | 3 | F08 | 33454-LAC5-900 | 2 | F10 | 35115-LAC5-900 | 1 | F02 |
| 31600-LBE1-E70 | 2 | F01 | 33600-LDB4-E90 | 2 | F10 | 35150-LAC5-900 | 4 | F02 |
| 31800-LAC5-E21 | 4 | F11 | 33601-LAC5-900 | 3 | F10 | 35180-LAC5-900 | 4 | F02 |
| 31910-LDB4-E90 | 4 | F11 | 33604-LAC5-900 | 2 | F10 | 35190-LAC5-900 | 7 | F02 |
| | | | 33650-LDB4-E90 | 2 | F10 | 35200-LAC5-900 | 3 | F02 |

PART NO. INDEX

| PART NO. | VERSION | PAGE | PART NO. | VERSION | PAGE | PART NO. | VERSION | PAGE | |
|----------------|---------|------|----------------|----------------|------|----------------|----------------|------|-----|
| 35330-LBE1-900 | 1 | F02 | 44000 | | | 45141-LAC5-900 | 2 | F12 | |
| 36000 | | | | | | 45410-LAC5-900 | 2 | F12 | |
| 36000-LDB4-E27 | 2 | F11 | | 44315-LAC5-900 | 3 | F05 | 45450-LDB4-900 | 6 | F02 |
| 36100-LED4-900 | 4 | F11 | | 44600-LAC5-E00 | 9 | F05 | 46000 | | |
| 36101-AAH6-E20 | 4 | F02 | | 44620-LAC5-900 | 5 | F05 | 46100-LDB4-900 | 7 | F12 |
| 36108-LBE1-900 | 2 | F02 | | 44650-LAC5-900 | 7 | F05 | 46410-LAC5-900 | 2 | F12 |
| 36109-LBE1-900 | 2 | F02 | | 44701-LAC5-900 | 5 | F05 | | | |
| 36110-LAC5-900 | 3 | F02 | | 44701-LAC5-900 | 5 | F06 | 47000 | | |
| 36120-LAC5-900 | 2 | F02 | | 44701-LAC5-930 | 2 | F05 | | | |
| 37000 | | | | 44701-LAC5-930 | 2 | F06 | 47403-LBB7-E00 | 5 | F12 |
| 37806-LAC5-900 | 4 | F02 | 44702-LAC5-900 | 4 | F05 | 50000 | | | |
| 42000 | | | 44702-LAC5-900 | 4 | F06 | | | | |
| 42315-LAC5-900 | 3 | F06 | 44702-LAC5-930 | 2 | F05 | 50100-LED4-E21 | 4 | F12 | |
| 42600-LAC5-E00 | 8 | F06 | 44702-LAC5-930 | 2 | F06 | 50114-LBE1-920 | 3 | F12 | |
| 42705-LAC5-900 | 5 | F06 | 44705-LAC5-900 | 7 | F05 | 50118-LDB4-900 | 3 | F12 | |
| 4270A-LAC5-900 | 6 | F06 | 44710-LAC5-90B | 5 | F05 | 50119-LDB4-900 | 3 | F12 | |
| 42800-LAC5-900 | 6 | F12 | 44710-LAC5-90B | 5 | F06 | 5011A-LDB4-E20 | 4 | F12 | |
| | | | 44712-LAC5-900 | 2 | F05 | 50120-LDB4-900 | 9 | F12 | |
| | | | 44712-LAC5-900 | 2 | F06 | 5012A-LDB4-900 | 9 | F12 | |
| | | | 45000 | | | 50135-LDB4-900 | 4 | F12 | |
| | | | 45100-LDB4-900 | 7 | F12 | 50135-LDB4-920 | 1 | F12 | |
| | | | 4512A-LAC5-900 | 2 | F12 | 50150-LAC5-900 | 4 | F02 | |
| | | | 45133-LAC5-900 | 1 | F12 | 50150-LED4-900 | 4 | F02 | |

PART NO. INDEX

| PART NO. | VERSION | PAGE | PART NO. | VERSION | PAGE | PART NO. | VERSION | PAGE |
|----------------|---------|------|----------------|---------|------|----------------|---------|------|
| 50160-LAC5-900 | 7 | F02 | | | | 53702-LAC5-900 | 6 | F04 |
| 50222-LAC5-900 | 3 | F12 | 53000 | | | 53703-LAC5-900 | 6 | F04 |
| 50227-LDB4-900 | 7 | F09 | | | | 53800-LAC5-700 | 4 | F04 |
| 50231-LDB4-900 | 5 | F12 | 53100-LED4-900 | 5 | F02 | 53801-LAC5-700 | 4 | F04 |
| 50234-LBE1-900 | 3 | F12 | 53100-LED4-930 | 1 | F02 | | | |
| 5023A-LDB4-900 | 7 | F12 | 53101-LDB4-900 | 2 | F12 | 64000 | | |
| 50301-LDB4-001 | 1 | F12 | 53101-LED4-900 | 5 | F02 | | | |
| 50302-LDB4-900 | 2 | F12 | 53102-LDB4-900 | 2 | F12 | 64301-LED4-800 | 3 | F02 |
| 50304-LDB4-900 | 2 | F12 | 53104-LED3-900 | 4 | F02 | 64302-LAC5-900 | 5 | F03 |
| 50305-LAC5-900 | 2 | F12 | 53125-LAC5-900 | 6 | F02 | 64304-LED4-900 | 2 | F02 |
| 50305-LDB4-004 | 1 | F12 | 5317B-LED4-900 | 2 | F02 | 64310-LAC5-900 | 5 | F03 |
| 50306-LDB4-001 | 1 | F04 | 53190-LAC5-90A | 9 | F02 | 64311-LAC5-900 | 3 | F03 |
| 50308-LDB4-900 | 3 | F12 | 53191-LAC5-900 | 2 | F02 | 64316-LAC5-900 | 2 | F03 |
| 50309-LAC5-900 | 3 | F12 | 53196-LAC5-900 | 4 | F02 | 64320-LAC5-900 | 2 | F03 |
| 50310-LAC5-900 | 4 | F12 | 53200-LDB4-900 | 4 | F04 | 64330-LAC5-900 | 4 | F03 |
| 50350-LDB4-900 | 2 | E01 | 53207-LAC5-900 | 8 | F02 | | | |
| | | | 53209-LAC5-800 | 6 | F02 | 77000 | | |
| 51000 | | | 53211-GFY6-940 | 1 | F04 | | | |
| | | | 53212-LDB4-004 | 1 | F04 | 77100-LAC5-900 | 3 | F07 |
| 51400-LDB4-820 | 1 | F12 | 53402-LBB7-E00 | 5 | F12 | 77200-LAC5-700 | 8 | F07 |
| | | | 53406-LAC5-900 | 2 | F02 | 77222-LAC5-700 | 0 | F07 |
| 52000 | | | 53407-LDB4-900 | 4 | F12 | 77223-LAC5-305 | 2 | F07 |
| | | | 5340A-LDB4-900 | 9 | F12 | 77223-LDB4-305 | 1 | F07 |
| 5211A-ACF5-E20 | 1 | F12 | 5350A-LDB4-900 | 9 | F12 | 77240-LAC5-700 | 0 | F07 |
| 52400-LDB4-820 | 1 | F12 | 53700-LAC5-700 | 4 | F04 | 77250-LAC5-700 | 0 | F07 |
| 52422-LDB4-900 | 3 | F12 | 53701-LAC5-700 | 4 | F04 | 77260-LAC5-700 | 0 | F07 |

PART NO. INDEX

| PART NO. | VERSION | PAGE | PART NO. | VERSION | PAGE | PART NO. | VERSION | PAGE |
|----------------|---------|------|----------------|---------|------|-----------------|---------|------|
| 77280-LAC5-700 | 0 | F07 | | | | 90302-SDA4-004 | 3 | F02 |
| 77300-LAC5-900 | 3 | F07 | 87000 | | | 90302-SDA4-004 | 3 | F03 |
| 80000 | | | 87501-LAC5-900 | 7 | F13 | 90304-GHE8-004 | 0 | F12 |
| | | | 87508-LDB4-900 | 2 | F11 | 90304-LDB4-90A | 1 | F05 |
| 80101-LDB4-900 | 5 | F11 | 87532-KGAG-V00 | 6 | F14 | 90306-LDB4-90A | 1 | F06 |
| 81000 | | | 87560-LAC5-900 | 4 | F13 | 90309-LDB4-90A | 1 | F02 |
| | | | 87562-LBE1-E00 | 3 | F13 | 90309-LDB4-90A | 1 | F04 |
| 81131-LED4-900 | 4 | F02 | 88000 | | | 92000 | | |
| 83000 | | | 88110-LAC7-810 | 1 | F02 | 92101-06020-0G | 0 | F12 |
| | | | 88120-LAC7-910 | 1 | F02 | | | |
| 83500-LAC5-900 | 5 | F09 | 90000 | | | 93000 | | |
| 83551-KKAK-900 | 0 | F09 | | | | | | |
| 83551-LDB4-E20 | 1 | F12 | | | | 93500-04010-0F | 0 | F02 |
| 83600-LAC5-900 | 7 | F09 | 90023-LAC5-001 | 1 | F03 | 93500-04010-0F | 0 | F12 |
| 83751-LAC5-900 | 1 | F12 | 90105-LAC5-900 | 4 | F05 | 93500-04012-0HG | 0 | F02 |
| 86000 | | | 90105-LAC5-900 | 4 | F06 | 93600-02008-0A | 0 | F02 |
| | | | 90301-4C73-004 | 0 | F02 | 93600-02008-0A | 0 | F11 |
| | | | 90301-LAC5-001 | 1 | F03 | 93891-04012-06 | 0 | E01 |
| 86102-LAB4-900 | 2 | F14 | 90301-LAC5-671 | 1 | F03 | 93891-05030-08G | 0 | F11 |
| 86201-LDB4-900 | 3 | F14 | 90301-LAC5-671 | 1 | F11 | 93901-32120 | 1 | F02 |
| 86444-LAC5-900 | 9 | F14 | 90302-KEC8-910 | 1 | F02 | 93901-32120 | 1 | F11 |
| | | | 90302-LAC5-950 | 1 | F02 | 93901-32310 | 0 | F10 |
| | | | 90302-LED4-900 | 0 | F01 | 93903-14380-G | 0 | F03 |

PART NO. INDEX

| PART NO. | VERSION | PAGE | PART NO. | VERSION | PAGE | PART NO. | VERSION | PAGE |
|-----------------|---------|------|-----------------|---------|------|-----------------|---------|------|
| 93903-25460 | 0 | F02 | 94050-08080-G | 1 | F02 | 96211-05000 | 26 | F04 |
| 93903-34380-G | 0 | F01 | 94101-06800-G | 1 | F12 | 96600-06060-08G | 1 | E01 |
| 93903-34380-G | 0 | F02 | 94111-08800 | 0 | F04 | 96700-08015-07G | 0 | F12 |
| 93903-34380-G | 0 | F03 | 94111-08800 | 0 | F05 | 96700-08030-08G | 0 | F12 |
| 93903-34380-G | 0 | F09 | 94111-08800 | 0 | F06 | | | |
| 93903-34380-G | 0 | F10 | 94251-08400 | 0 | F12 | | | |
| 93903-GFY6-910 | 1 | F02 | 94510-19000 | 0 | E01 | | | |
| | | | 94591-27000 | 0 | F12 | | | |
| 94000 | | | 95000 | | | | | |
| 94001-06080-0SG | 0 | F02 | | | | | | |
| 94001-06080-0SG | 0 | F12 | 95701-06012-06 | 1 | F03 | | | |
| 94001-08080-0S | 0 | F04 | 95701-06012-06 | 1 | F12 | | | |
| 94001-10080-0SG | 0 | F12 | 95701-06020-06 | 1 | F02 | | | |
| 94001-LAC5-900 | 2 | F04 | 95801-06055-08G | 0 | F12 | | | |
| 94021-06060-0SG | 0 | F12 | 95801-08035-06 | 1 | F02 | | | |
| 94021-08020-0S | 0 | F06 | 95801-08035-08G | 0 | F12 | | | |
| 94021-08070-0S | 0 | F05 | 95801-08045-08G | 0 | F02 | | | |
| 94050-05080-G | 1 | F02 | 95801-08065-08G | 0 | F12 | | | |
| 94050-05080-G | 1 | F12 | 95801-10045-08G | 0 | F12 | | | |
| 94050-06060 | 1 | F03 | 95801-10080-06 | 0 | F12 | | | |
| 94050-06080-G | 1 | F02 | | | | | | |
| 94050-06080-G | 1 | F09 | 96000 | | | | | |
| 94050-06080-G | 1 | F12 | | | | | | |
| 94050-08060-G | 0 | F12 | 96120-60020-00 | 0 | F05 | | | |
| 94050-08080-G | 1 | E01 | 96130-60000-00 | 0 | F12 | | | |