

PARTS CATALOGUE



MOBILITY SCOOTER

EQ35CC(UK)

Midi4 SUPER6



Release Date : 2016/10/27
Print Date : 2019/11/01

ABOUT THIS PARTS LIST

- This parts list is compiled all service parts for model EQ35CC(UK).
- Any difference between color chart and motorcycle will be revised according to motorcycle.
- The Mark:
 1. Marking "***" must add color code in the end before ordering parts.
 2. Marking "#" are parts with modification, Please find the details from e-Parts system.
- When modification or additions to this parts list are made a revised edition at an appropriate time.



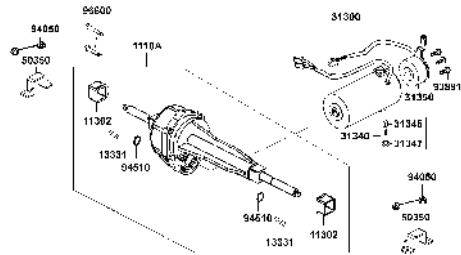
CONTENTS

● ABOUT THIS PARTS LIST	1
● COLOR CHART OF EQ35CC(UK)	3
● CONTENTS-ENGINE GROUP	4
● CONTENTS-FRAME GROUP	5
● ENGINE PARTS LIST	7
● FRAME PARTS LIST	9
● PART NO. INDEX	45

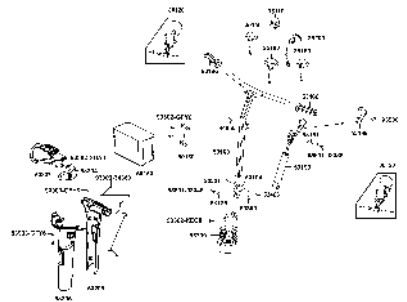
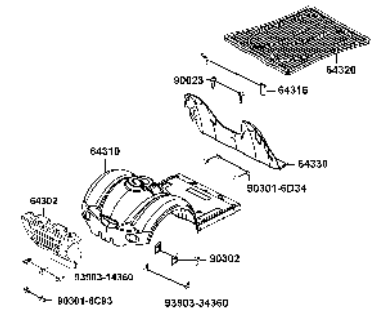
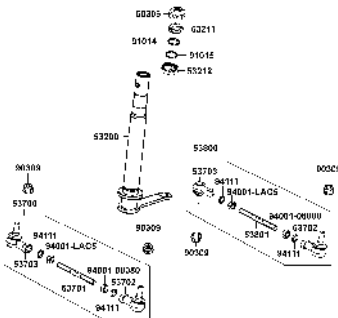
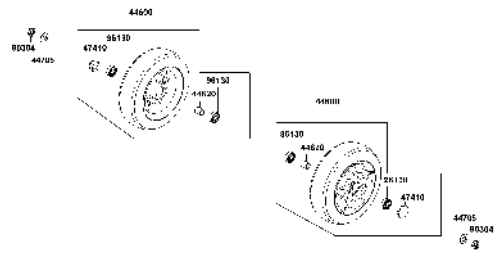
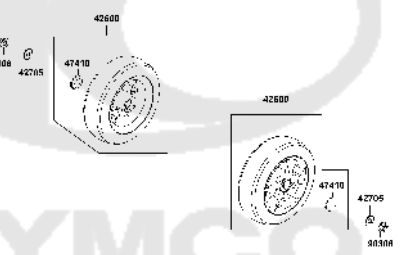
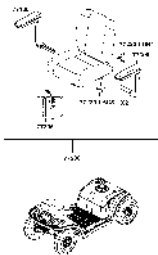
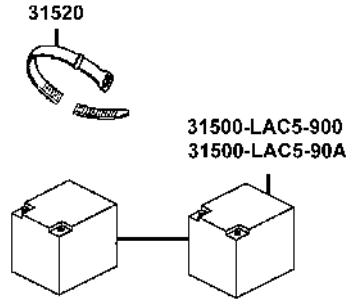
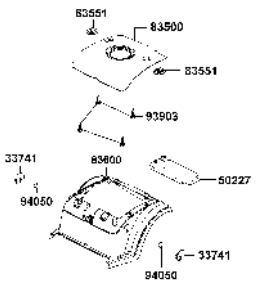
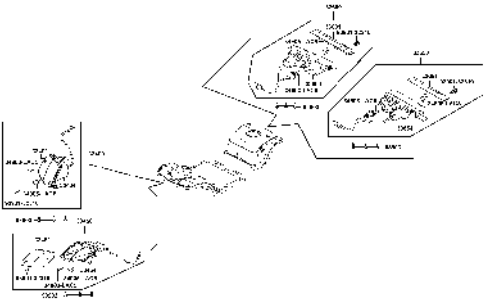
NO	MODEL			COLOR CHART OF EQ35CC(UK)			
	PHOTO NO			NO. 1	NO. 2		
	BASIC COLOR			Bright Blue	Black		
	CODE			Bright Blue	Black		
	PARTS NAME	PARTS NO.	VERSION	PB107MA	NH001MA		
1	COVER HANDLE FR	53205-LAC5-900	5	BAP	N1P		
2	COVER HANDLE RR	53206-LBE1-900	1				
3	METER COVER	53207-LAC5-900	8				
4	FLOOR PANEL	64310-LAC5-900	5				
5	COVER BODY LOW	83600-LAC5-900	7				
6	GRIP L HANDLE	53166-KNBN-911	0	N1R			
7	GRIP L HANDLE	53166-LAC5-911	1				
8	BOLT HANDLE SET	64302-LAC5-900	5				
9	PLUG FLOOR	64316-LAC5-900	2				
10	MAT FLOOR	64320-LAC5-900	2				
11	COVER FLOOR	64330-LAC5-900	4	N8P			
12	COVER BODY UP	83500-LAC5-900	5				
13	SEAT ASSY	77200-LAC5-500	4				
14	STRIPE SUPER 6	86201-LDB4-E20	0				
15	EMB METER	86444-LAC5-900	9				
16	USE CAUTION	87501-LAC5-900	7	T01			
17	LABEL BATTERY	87508-LDB4-900	2				
18	MARK KYMCO	87532-KGAG-V00	6				
19	MAR DRIVE CAUTION	87560-LAC5-900	4				
20	LABLE SPEED SW	87562-LBE1-E00	3				
21	STRIPE B BODY COVER	86211-LDB4-900	5	T02			
DATE OF STARTING-SALES							
DATE OF END-SALES							

CONTENTS - ENGINE GROUP

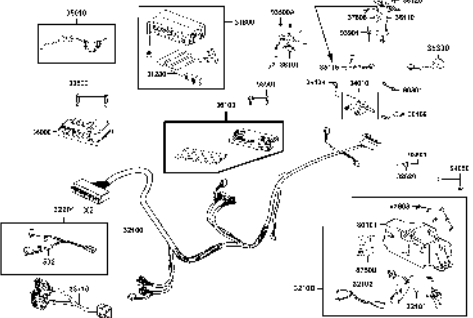
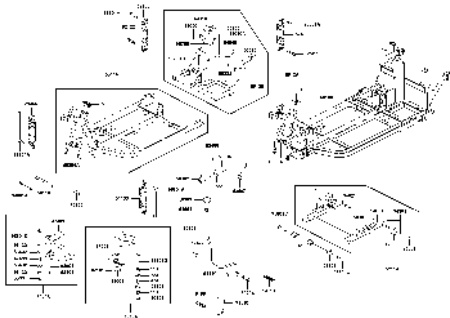
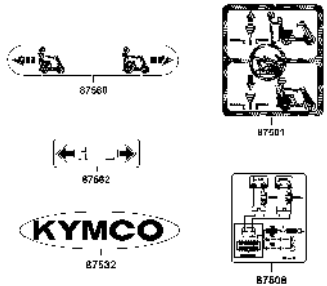
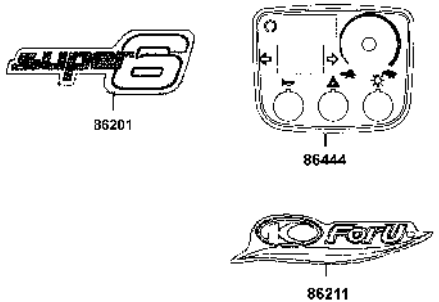

E01 MOTOR ASSY



CONTENTS - FRAME GROUP

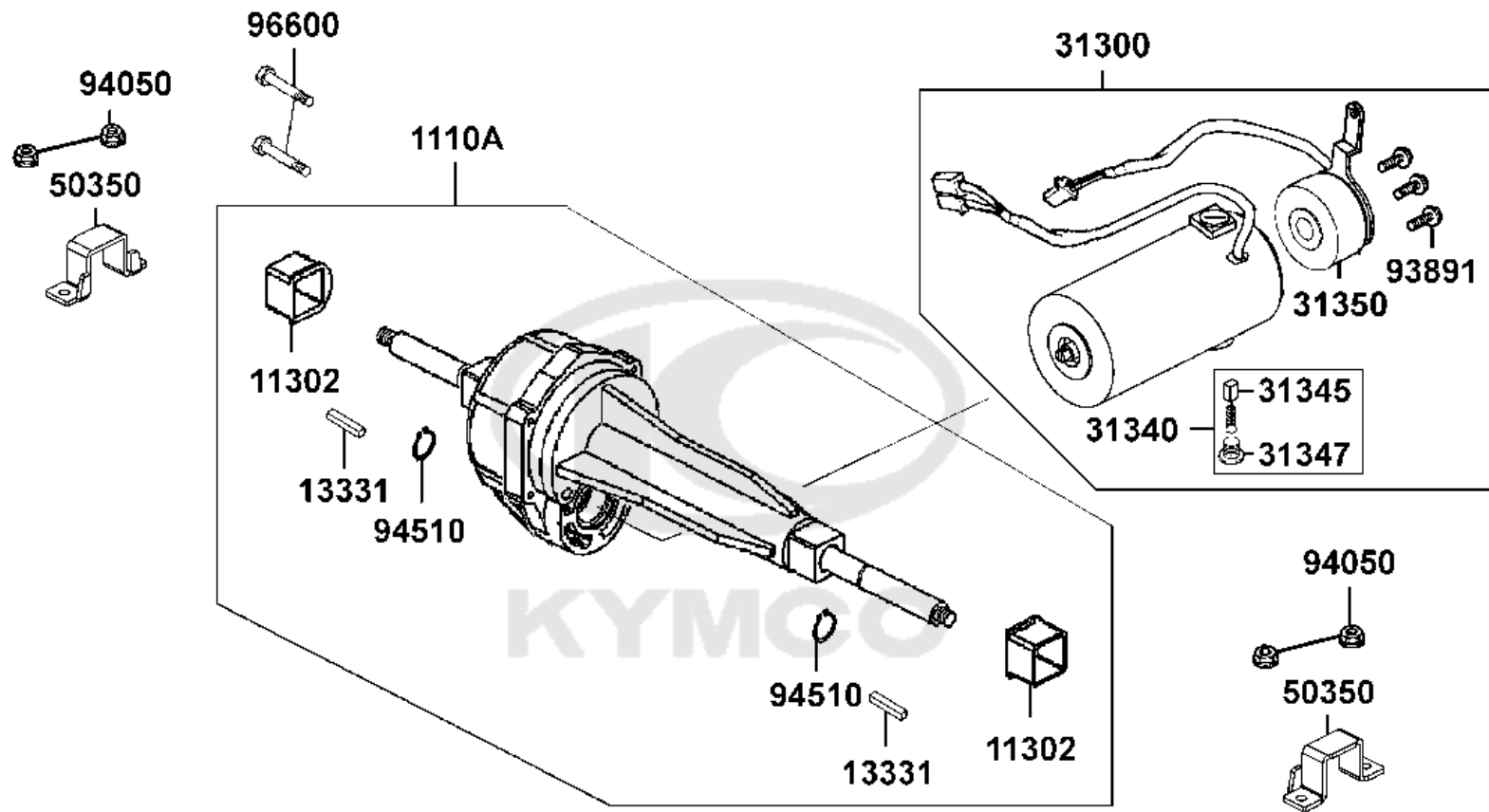
<p>F01 Handle Steering</p>	<p>F02 Floor Panel</p>	<p>F03 Stem Steering</p>
		
<p>F04 Front Wheel</p>	<p>F05 Rear Wheel</p>	<p>F06 Seat</p>
		
<p>F07 Battery</p>	<p>F08 Body Cover</p>	<p>F09 Winker</p>
		

CONTENTS - FRAME GROUP

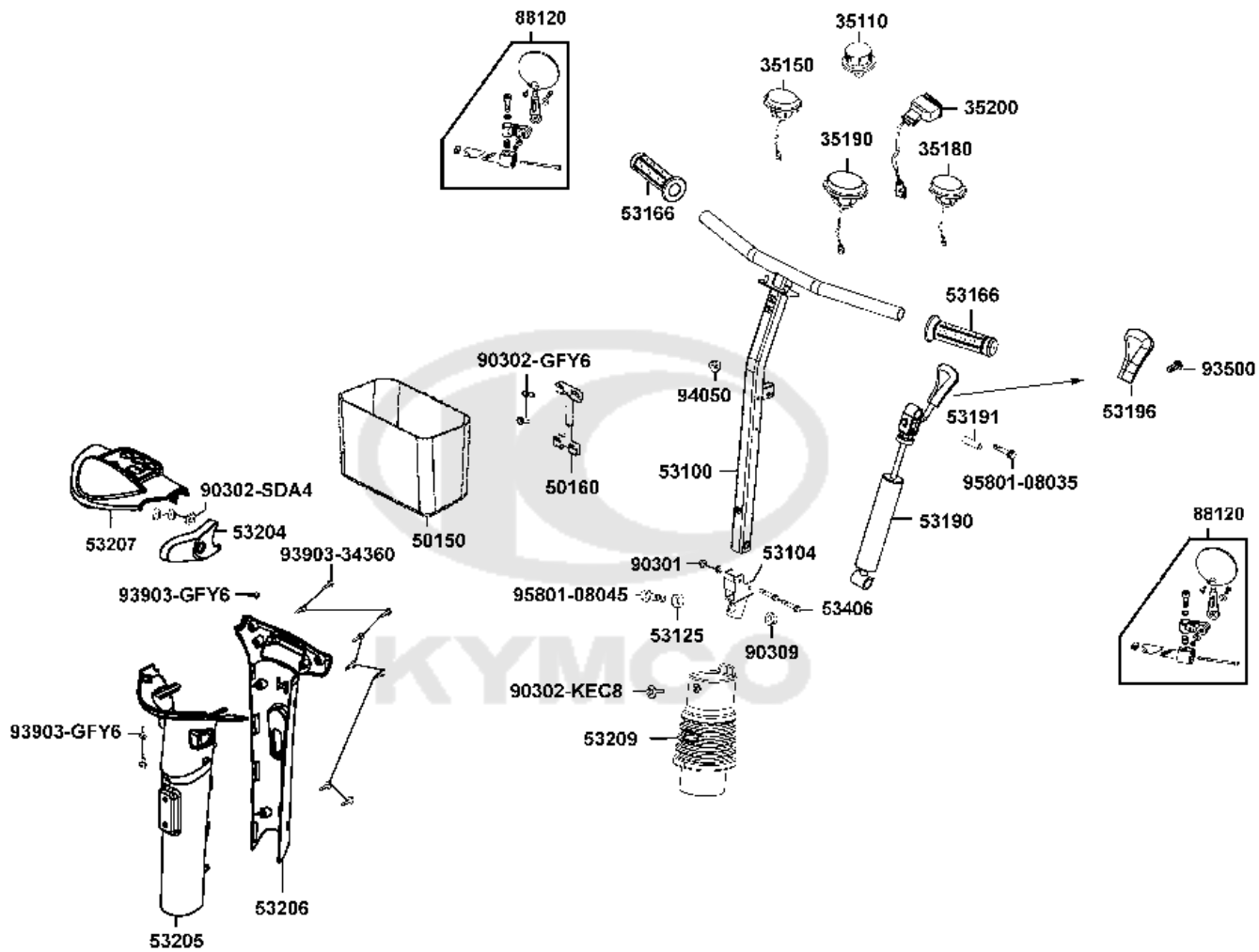
F10 Harness Wire	F11 Frame Body	F12 Caution Label
		
F13 Mark	F14 KEY	
		

E01

MOTOR ASSY



Sales mark	Ref no	Part no	Description	Reg description	Regd no	Ref Price	E01
	1110A	1110A-LDB4-M30	MISSION ASSY	MISSION ASSY	1	189.61	
	11302	11302-LAC5-900	RUBBER	RUBBER	2	6.50	
	13331	13331-LAC5-900	KEY 4.8*4.8*30	KEY 4.8*4.8*30	2	3.25	
	31300	31300-LAC5-950	MOTOR ASSY. STARTER	MOTOR ASSY. STARTER	1	150.00	
	31340	31340-LAC5-900	BRUSH ASSY	BRUSH ASSY	2	7.00	
	31345	31345-LAC5-305	MOTOR BRUSH- MIDI XL/ SUPER 4/6/8/	MOTOR BRUSH- MIDI XL/ SUPER 4/6/8/	2	3.25	
	31347	31347-LAC5-305	CAP BRUSH	CAP BRUSH	2	3.25	
	31350	31350-LAC5-900	BRAKE ASSY	BRAKE ASSY	1	52.00	
	31350	31350-LAC5-950	BRAK ASSY	BRAK ASSY	1	70.00	
	50350	50350-LDB4-900	CONNECTOR MISSION	CONNECTOR MISSION	2	5.20	
	93891	93891-04012-06	SCREW WASHER 4*12	SCREW WASHER 4*12	3	0.13	
	94050	94050-08080-G	NUT FLANGE 8MM (C)	NUT FLANGE 8MM (C)	4	0.49	
	94510	94510-19000	CIRCLIP EX 1.9	CIRCLIP EX 1.9	2	2.12	
	96600	96600-06060-08G	SCOKET BOLT 8*18	SCOKET BOLT 8*18	2	3.25	

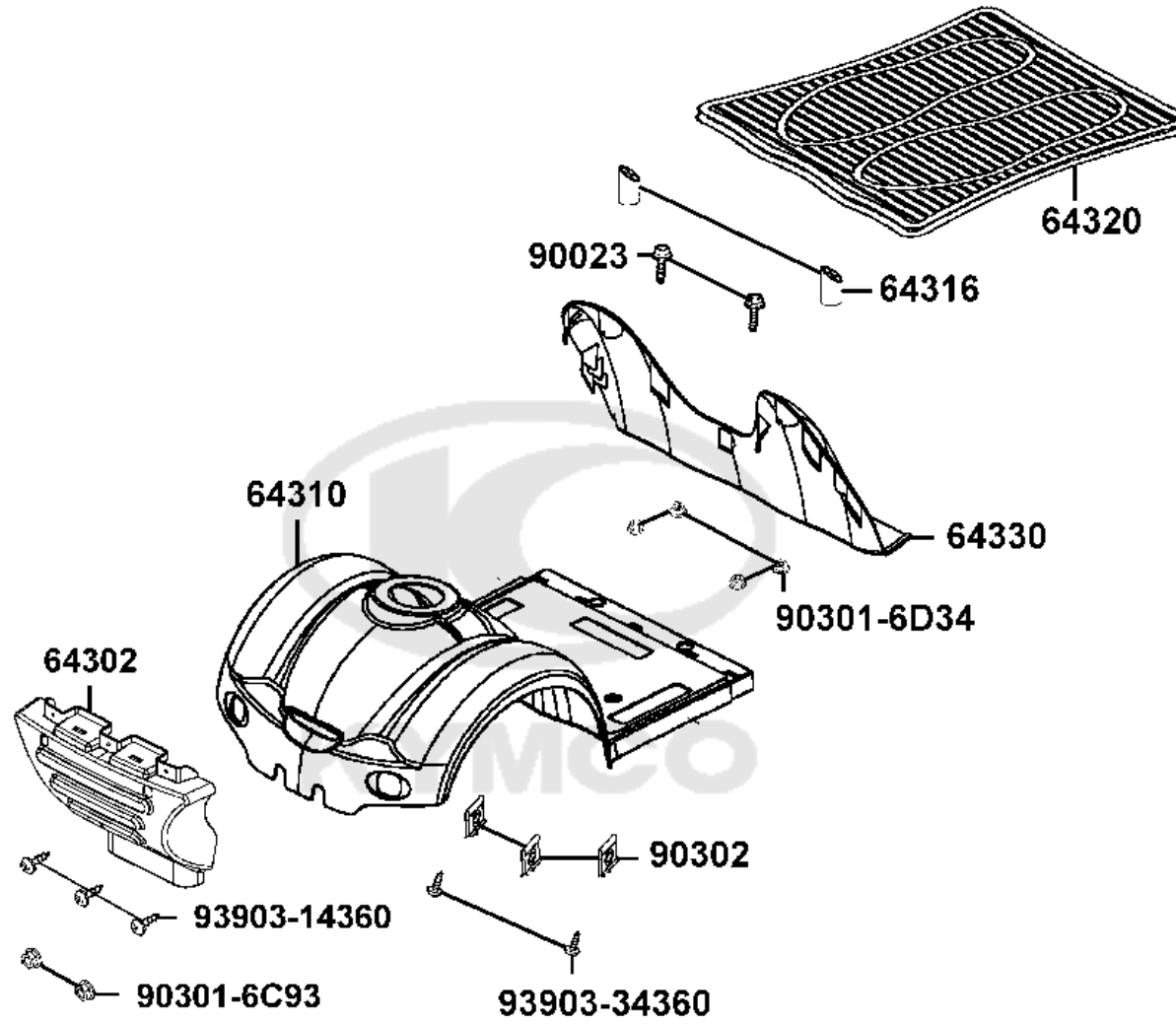


Sales mark	Ref no	Part no	Description	Reg description	Regd no	Ref Price	F01
	35110	35110-LAC5-900	SPEED KNOB ALT 35110-LHD7-900	SPEED KNOB ALT 35110-LHD7-900	1	5.20	
	35150	35150-LAC5-900	SW UNIT LIGHTING ALT 3150-LAC5-	SW UNIT LIGHTING ALT 3150-LAC5-900-R	1	6.50	
	35180	35180-LAC5-E20	SW UNIT HORN	SW UNIT HORN	1	6.50	
	35190	35190-LAC5-900	SW UNIT HAZARD	SW UNIT HAZARD	1	6.50	
	35200	35200-LAC5-900	SW UNIT WINKER ALT 35200-LAC5-900	SW UNIT WINKER ALT 35200-LAC5-900-R	1	6.50	
	50150	50150-LAC5-910	BASKET ALT 50150-LAC5-900	BASKET ALT 50150-LAC5-900	1	18.20	
	50160	50160-LAC5-900	STAY BASKET SET	STAY BASKET SET	1	5.20	
	53100	53100-LBB6-900	HANDLE COMP STRG	HANDLE COMP STRG	1	22.10	
	53100	53100-LBB6-930	HANDLE COMP STRG NEW S8	HANDLE COMP STRG NEW S8	1	22.10	
	53104	53104-LAC5-E00	STAY COMP .HANDLE	STAY COMP .HANDLE	1	29.25	
	53125	53125-LAC5-900	COLLAR HANDLE SET	COLLAR HANDLE SET	1	3.25	
**	53166	53166-KNBN-911	GRIP HANDLE L/BLACK **KBN-910-N1R	GRIP HANDLE L/BLACK **KBN-910-N1R	1	1.87	
**	53166	53166-LAC5-911	HAND GRIP	HAND GRIP	2	3.25	
	53190	53190-LAC5-90A	ADJUSTER HANDLE/ Gas strut	ADJUSTER HANDLE/ Gas strut	1	29.25	
	53191	53191-LAC5-900	COLLAR ADJUSTER	COLLAR ADJUSTER	1	1.33	
	53196	53196-LAC5-900	BLACK GRIP	BLACK GRIP	1	3.21	
	53204	53204-LBB6-900	COVER HANDLE L SIDE	COVER HANDLE L SIDE	1	5.85	
**	53205	53205-LAC5-900	COVER HANDLE FR /BLACK	COVER HANDLE FR /BLACK	1	18.20	
**	53206	53206-LBE1-900	COVER HANDLE RR /BLACK	COVER HANDLE RR /BLACK	1	13.00	
**	53207	53207-LAC5-900	METER COVER /BLACK	METER COVER /BLACK	1	10.40	

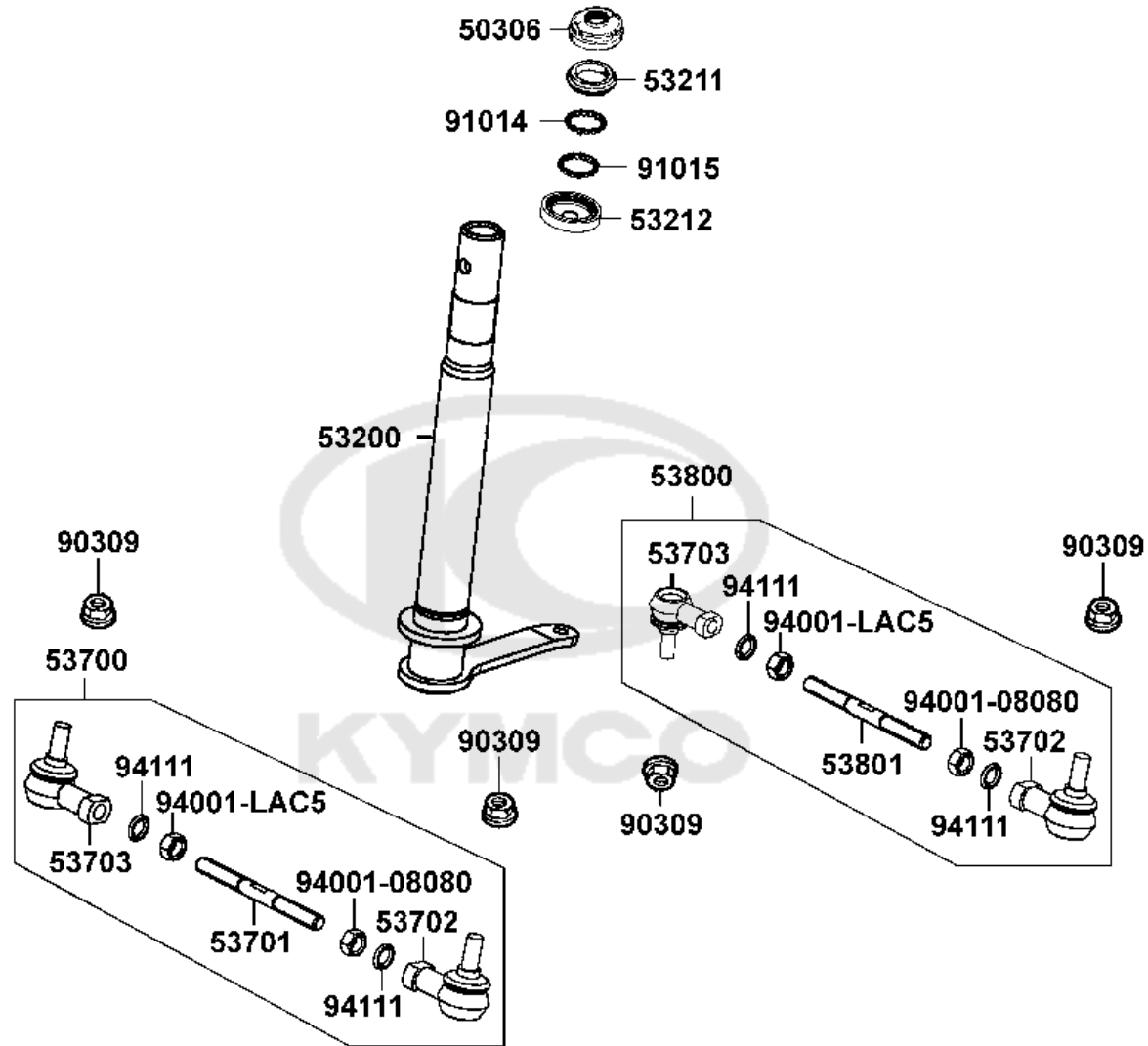
Sales mark	Ref no	Part no	Description	Reg description	Regd no	Ref Price	F01
	53209	53209-LAC5-900	COVER DUST	COVER DUST	1	11.70	
	53406	53406-LAC5-900	BOLT HANDLE SET	BOLT HANDLE SET	2	3.25	
	88120	88120-LAC5-910	MIRROR ASSY BACK	MIRROR ASSY BACK	2	16.25	
	90301	90301-4C73-004	NUT U 6MM **473-0040 C.2005.03.01	NUT U 6MM **473-0040 C.2005.03.01	2	0.25	
	90302-GFY6	90302-GFY6-911	BOLT-WASH 5*12	BOLT-WASH 5*12	2	3.25	
	90302-KEC8	90302-KEC8-910	BOLT PAN 5*9	BOLT PAN 5*9	2	3.25	
	90302-SDA4	90302-SDA4-004	NUT SPRING 4MM **SA4-0040	NUT SPRING 4MM **SA4-0040	1	0.26	
	90309	90309-LDB4-90A	NUT U FLANGE 8MM	NUT U FLANGE 8MM	1	3.25	
	93500	93500-04010-0F	SCREW PAN 4X10(G)	SCREW PAN 4X10(G)	1	0.64	
	93903-34360	93903-34380-G	SCREW TAPPING 4x12	SCREW TAPPING 4x12	1	3.25	
	93903-GFY6	93903-GFY6-910	BOLT-WASH 5*12	BOLT-WASH 5*12	2	3.25	
	94050	94050-08080-G	NUT FLANGE 8MM (C)	NUT FLANGE 8MM (C)	1	0.49	
	95801-08035	95801-08035-06	BOLT FLANGE 8*35 **LLJ1-900	BOLT FLANGE 8*35 **LLJ1-900	1	0.36	
	95801-08045	95801-08045-08G	BOLT FLANGE 8*45	BOLT FLANGE 8*45	1	0.49	

F02

Floor Panel



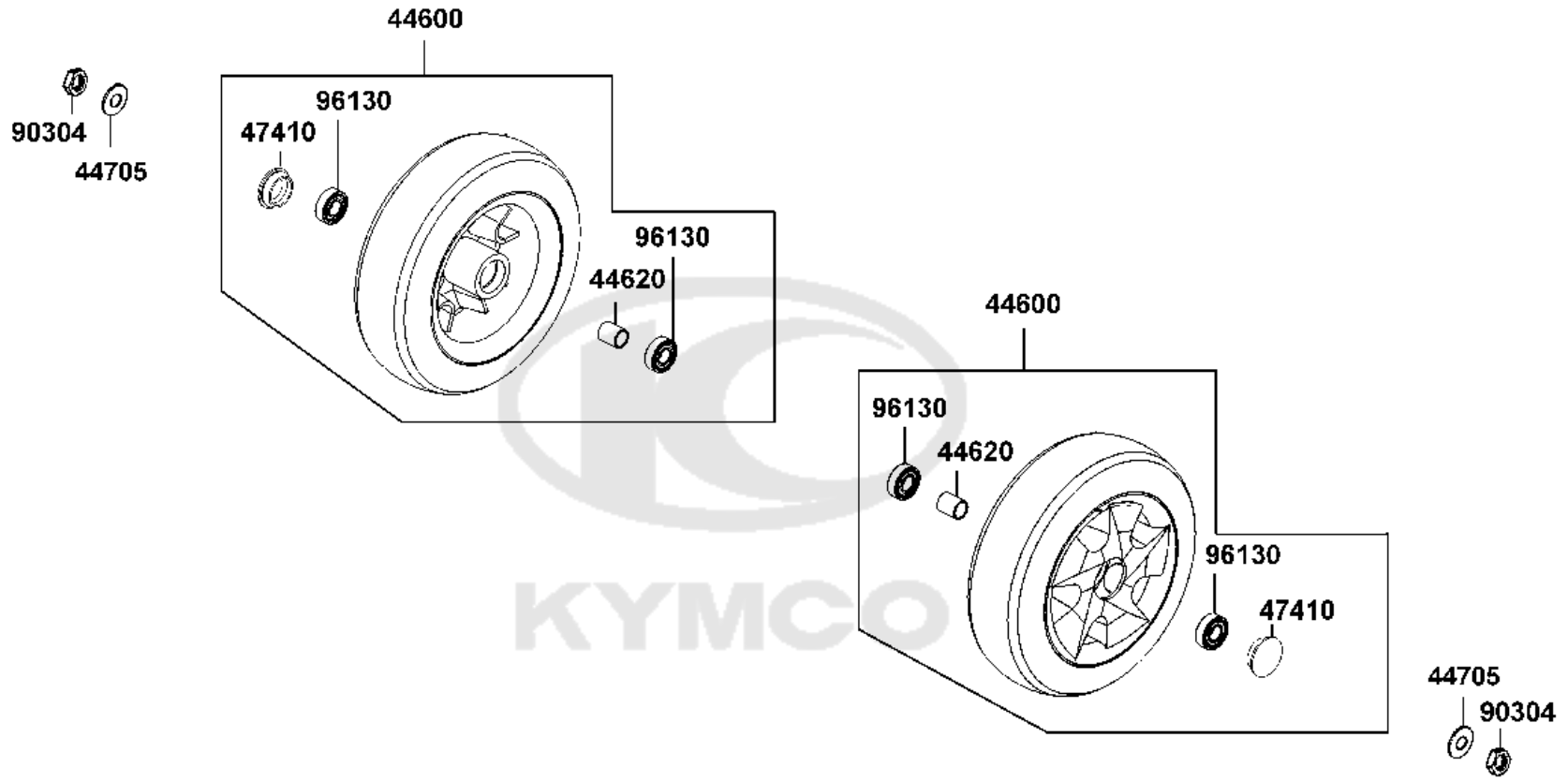
Sales mark	Ref no	Part no	Description	Reg description	Regd no	Ref Price	F02
**	64302	64302-LAC5-900	FRONT PLASTIC BUMPER- SUPER	FRONT PLASTIC BUMPER- SUPER 4/6/8/	1	8.45	
**	64310	64310-LAC5-900	FR FLOOR PANEL- MIDI RANGE-	FR FLOOR PANEL- MIDI RANGE- GLOSSY	1	81.25	
**	64316	64316-LAC5-900	PLUG FLOOR	PLUG FLOOR	2	3.25	
**	64320	64320-LAC5-900	FLOOR MAT- MIDI RANGE- BLACK	FLOOR MAT- MIDI RANGE- BLACK MAT	1	11.05	
**	64330	64330-LAC5-900	COVER FLOOR	COVER FLOOR	1	9.75	
	90023	90023-LAC5-001	BOLT SEAT LOCK 6X13.5	BOLT SEAT LOCK 6X13.5	2	3.25	
	90301-6C93	90301-LAC5-001	NUT 6MM OPENSTAY	NUT 6MM OPENSTAY	3	3.25	
	90301-6D34	90301-LAC5-671	NUT FLANGE 6MM	NUT FLANGE 6MM	6	3.25	
	90302	90302-SDA4-004	NUT SPRING 4MM **SA4-0040	NUT SPRING 4MM **SA4-0040	1	0.26	
	93903-14360	93903-14380-G	SCREWTAPPING 4x12	SCREWTAPPING 4x12	1	3.25	
	93903-34360	93903-34380-G	SCREW TAPPING 4x12	SCREW TAPPING 4x12	1	3.25	




Sales mark	Ref no	Part no	Description	Reg description	Regd no	Ref Price	F03
	50306	50306-LHD7-900	LOCK NUT 1"	LOCK NUT 1"	1	5.20	
	53200	53200-LDB4-900	STEM COMP STRG	STEM COMP STRG	1	16.25	
	53211	53211-LHD7-900	TOP HEAD CONE 1"	TOP HEAD CONE 1"	1	3.25	
	53212	53212-LDB4-004	ORDER 53212-GHC8-004	ORDER 53212-GHC8-004	1	3.25	
	53700	53700-LAC5-700	ROAD ASSY STEERING alt 53700-LAC5	ROAD ASSY STEERING alt 53700-LAC5-	1	13.00	
	53701	53701-LAC5-700	ROD COMP SWING	ROD COMP SWING	1	16.25	
	53702	53702-LAC5-900	BALL JOINT R	BALL JOINT R	2	6.50	
	53703	53703-LAC5-900	JOINT L BALL	JOINT L BALL	2	16.25	
	53800	53800-LAC5-700	ROD ASSY STEERING	ROD ASSY STEERING	1	13.00	
	53801	53801-LAC5-700	ROD COMP STEERING	ROD COMP STEERING	1	11.70	
	90309	90309-LDB4-90A	NUT U FLANGE 8MM	NUT U FLANGE 8MM	4	3.25	
	91014	91014-LHD7-900	BALL RETAINER 5/32"	BALL RETAINER 5/32"	2	3.25	
	91015	91015-LAC5-E20	BALL RETAINERS	BALL RETAINERS	1	3.25	
	94001-08080	94001-08080-0S	NUT HEX 8MM	NUT HEX 8MM	2	0.49	
	94001-LAC5	94001-LAC5-900	NUT HEX 8MM L	NUT HEX 8MM L	2	0.55	
	94111	94111-08800	WASHER SPRING 8MM	WASHER SPRING 8MM	4	0.33	

F04

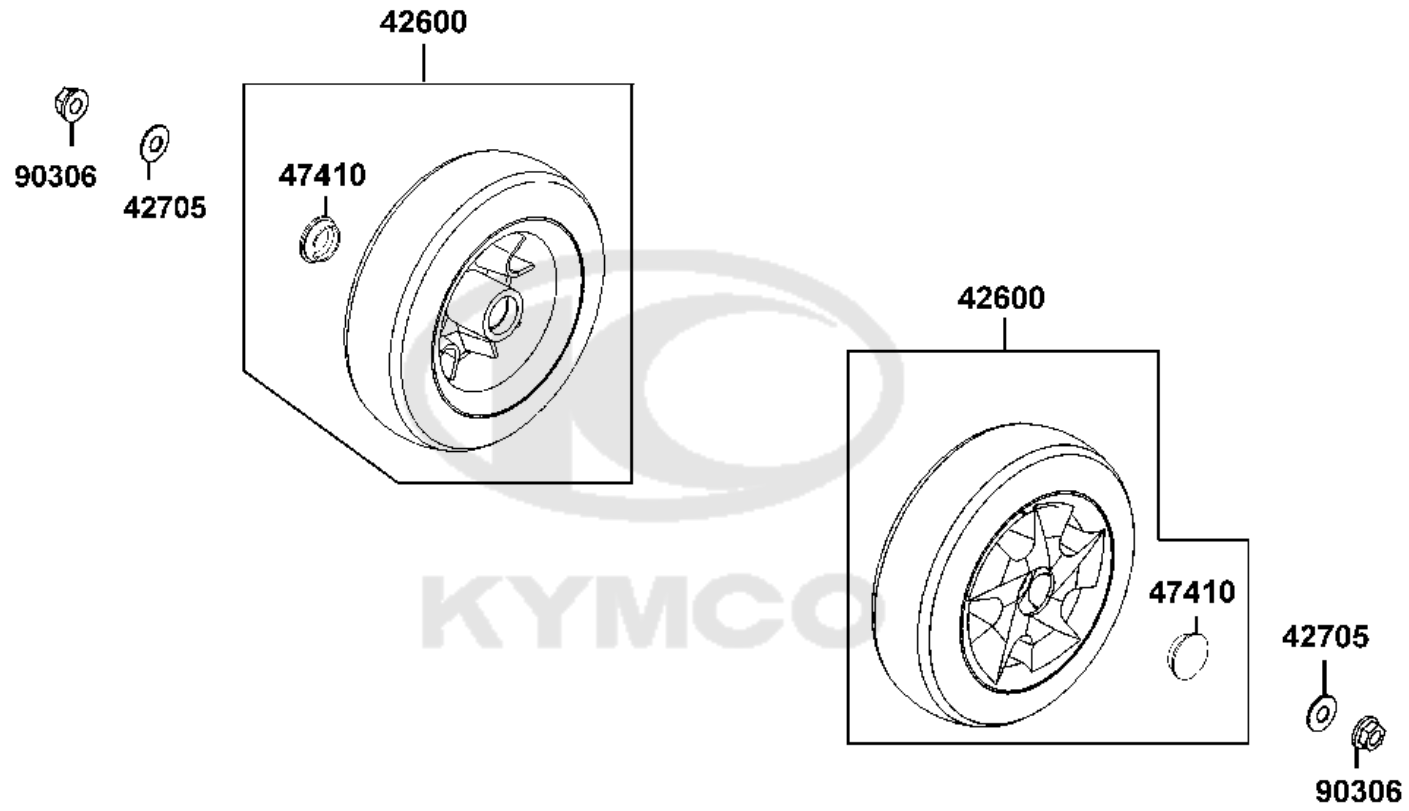
Front Wheel



Sales mark	Ref no	Part no	Description	Reg description	Regd no	Ref Price	F04
	44600	44600-LAC5-E23	WHEEL ASSY front black solid 260X85	WHEEL ASSY front black solid 260X85	2	47.00	
	44620	44620-LAC5-E23	DIST COLLAR FR WHEEL	DIST COLLAR FR WHEEL	2	3.25	
	44705	44705-LAC5-900	WASHER 12MM	WASHER 12MM	2	3.25	
	47410	47410-LAC5-E23	CAP WHEEL	CAP WHEEL	2	3.25	
	90304	90304-GHE8-004	NUT U 10MM **GE8-0040 C.2005.03.01	NUT U 10MM **GE8-0040 C.2005.03.01	2	0.68	
	96130	96130-62020-10	BEARING 6202 Z	BEARING 6202 Z	4	3.25	
							

F05

Rear Wheel



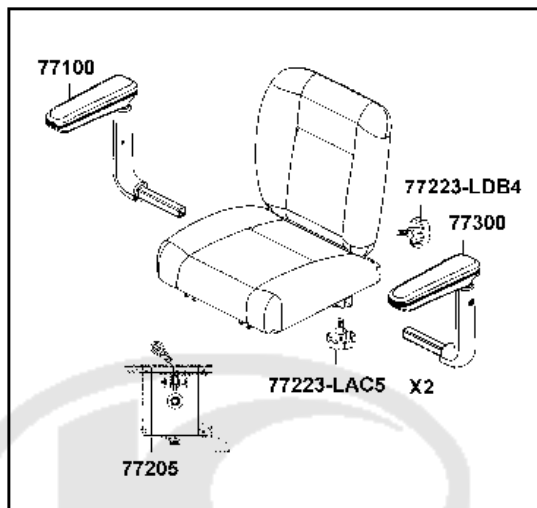
Sales mark	Ref no	Part no	Description	Reg description	Regd no	Ref Price	F05
------------	--------	---------	-------------	-----------------	---------	-----------	------------

	42600	42600-LAC5-E23	WHEEL ASSY Rear black solid 260*85	WHEEL ASSY Rear black solid 260*85	2	47.00	
	42705	42705-LAC5-900	WASHER 12MM RR WHEEL	WASHER 12MM RR WHEEL	2	3.25	
	47410	47410-LAC5-E23	CAP WHEEL	CAP WHEEL	2	3.25	
	90306	90306-LDB4-90A	NUT U FLANGE 10MM	NUT U FLANGE 10MM	2	3.25	

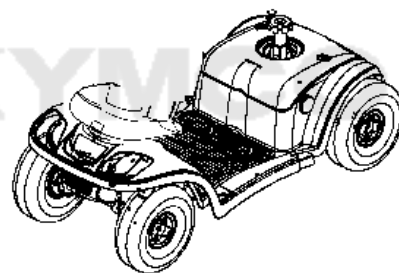



F06

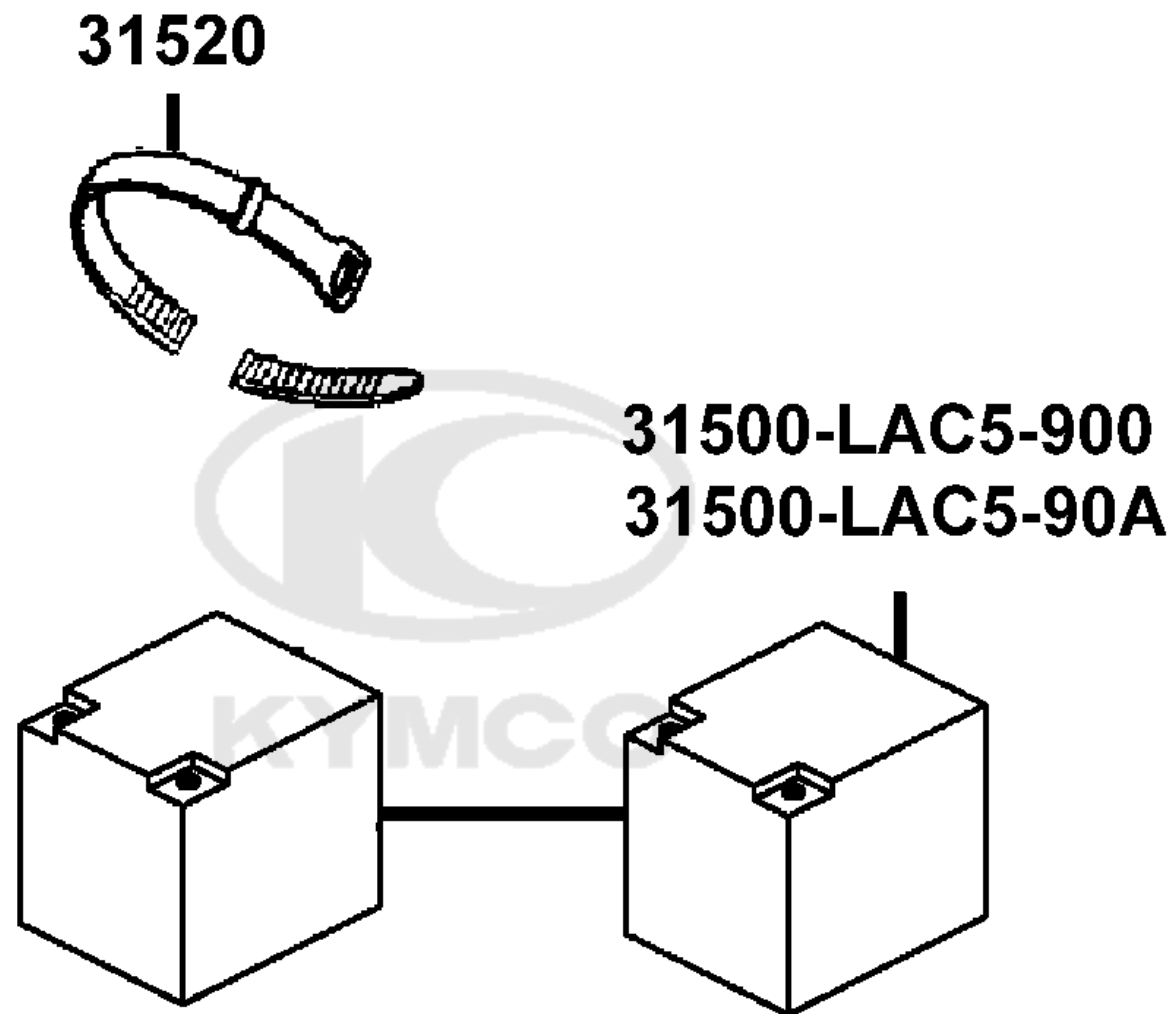
Seat



77200



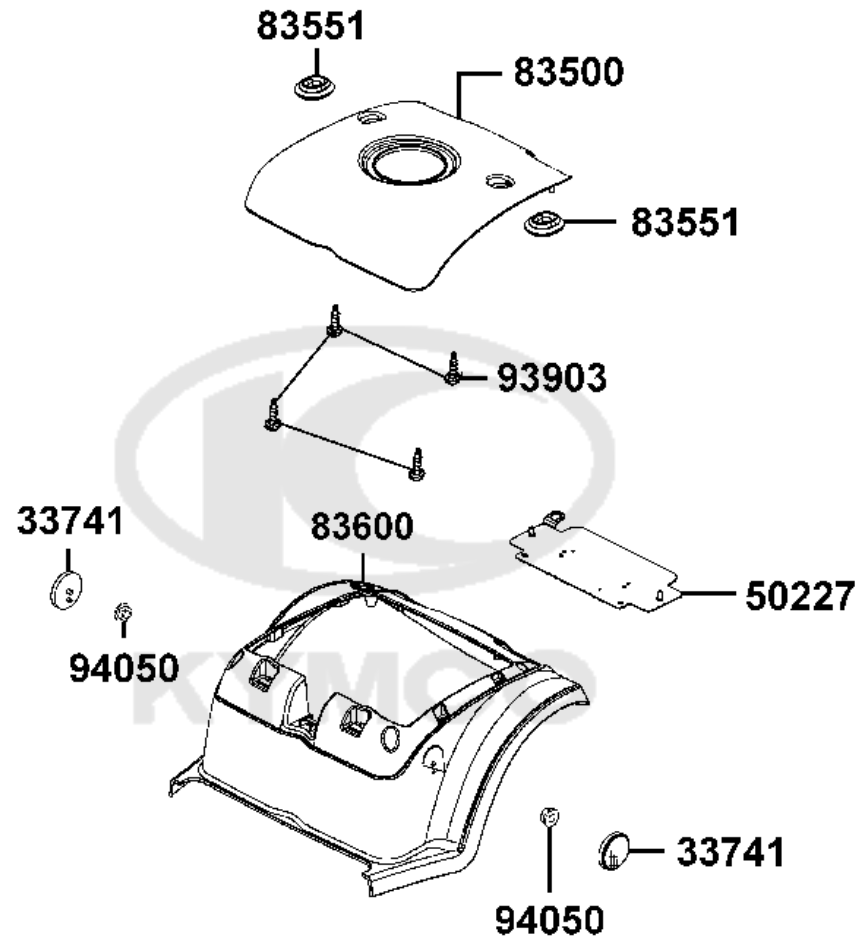
Sales mark	Ref no	Part no	Description	Reg description	Regd no	Ref Price	F06
	77100	77100-LAC5-810	RH USE 77100-LBB7-700	RH USE 77100-LBB7-700	1	21.63	
**	77200	77200-LAC5-500	SEAT	SEAT	1	178.75	
	77205	77205-LAC5-900	BASE ASSY SEAT	BASE ASSY SEAT	1	53.80	
	77223-LAC5	77223-LAC5-305	BOLT LOCK ARM REST	BOLT LOCK ARM REST	2	3.25	
	77223-LDB4	77223-LDB4-305	BOLT LOCK ARM REST	BOLT LOCK ARM REST	1	1.19	
	77300	77300-LAC5-810	ARM REST ASSY L/H	ARM REST ASSY L/H	1	31.20	
							




Sales mark	Ref no	Part no	Description	Reg description	Regd no	Ref Price	F07
------------	--------	---------	-------------	-----------------	---------	-----------	------------

	31500-LAC5-900	31500-LAC5-900	ORDER 31500-BAT36	ORDER 31500-BAT36	1	66.00	
	31500-LAC5-90A	31500-LAC5-90A	BATTERY 12V 36AH/YU	BATTERY 12V 36AH/YU	1	120.00	
	31520	31520-LAC5-900	BAND B BATTERY	BAND B BATTERY	2	3.25	

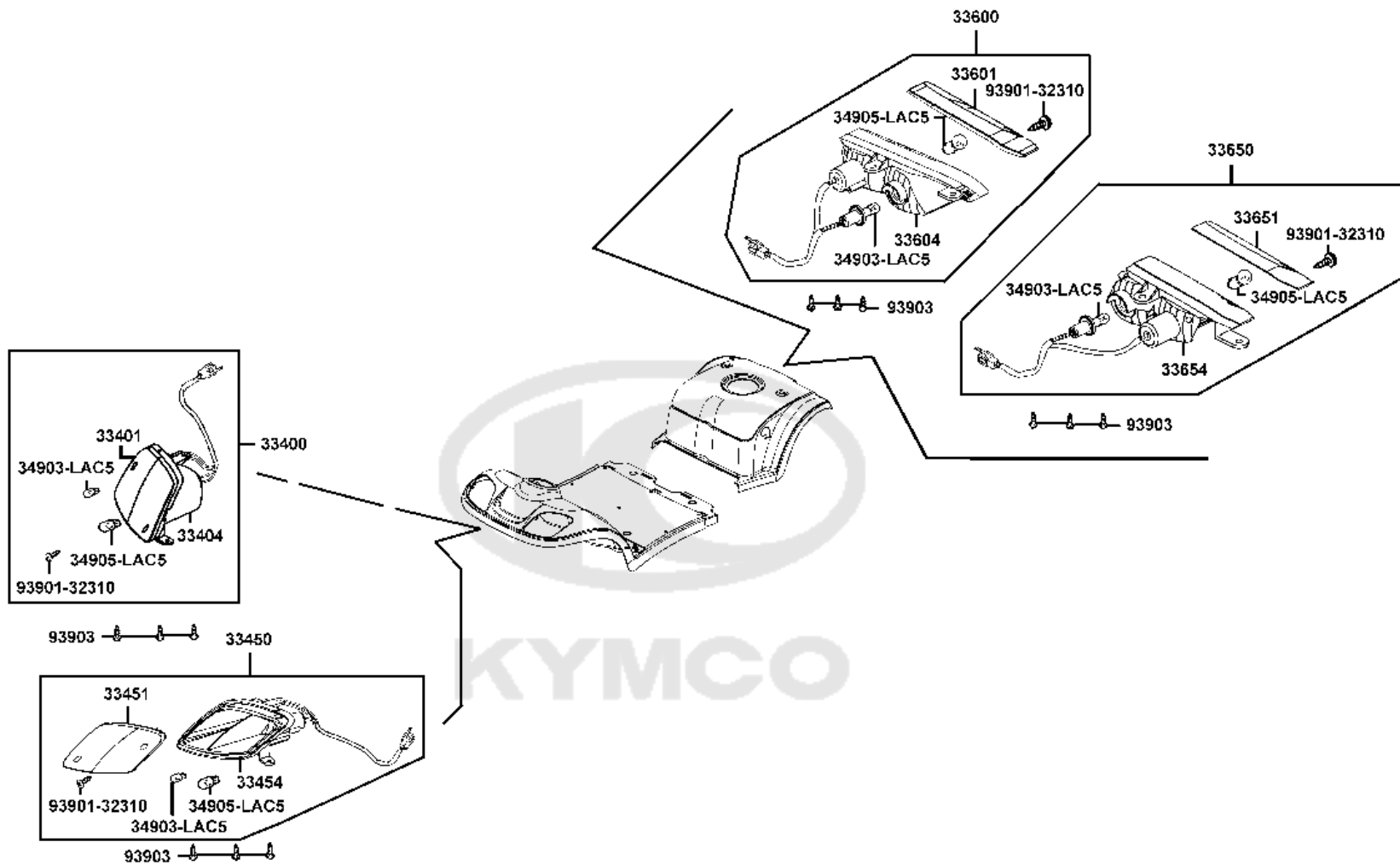




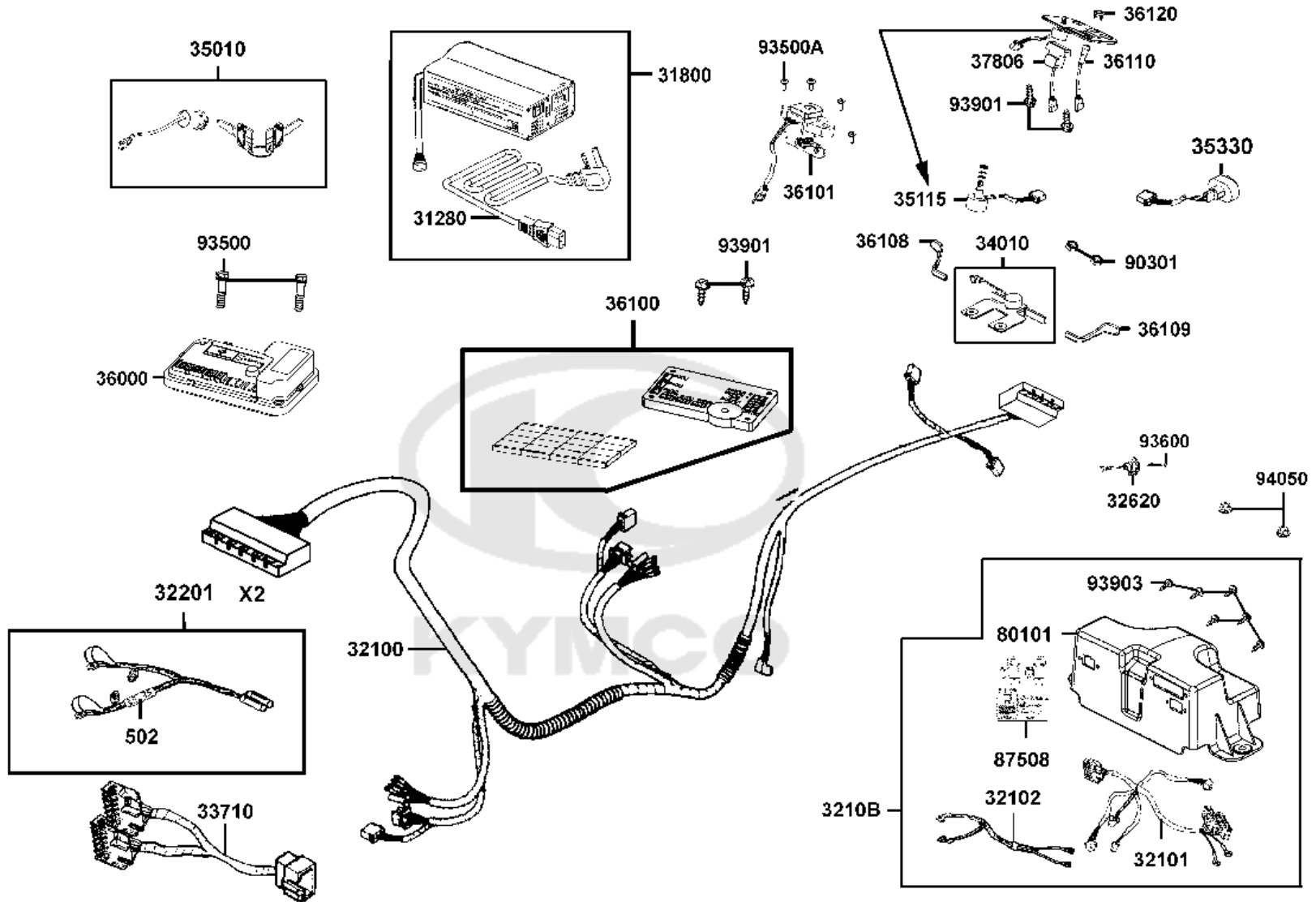
Sales mark	Ref no	Part no	Description	Reg description	Regd no	Ref Price	F08
	33741	33741-GFY6-C30	REFLEX REFLECTOR ORANGE	REFLEX REFLECTOR ORANGE	2	2.08	
	50227	50227-LDB4-900	STAY ECU	STAY ECU	1	9.10	
**	83500	83500-LAC5-900	REAR BATTERY COVER- MIDI RANGE-	REAR BATTERY COVER- MIDI RANGE-	1	22.75	
	83551	83551-KKAK-900	GROMMET AIR/C CASE **KAK-9000	GROMMET AIR/C CASE **KAK-9000	1	0.64	
**	83600	83600-LAC5-900	REAR BODY PANEL- MIDI RANGE-	REAR BODY PANEL- MIDI RANGE-	1	65.00	
	93903	93903-34380-G	SCREW TAPPING 4x12	SCREW TAPPING 4x12	1	3.25	
	94050	94050-06080-G	NUT FLANGE 6MM	NUT FLANGE 6MM	2	0.49	
							

F09

Winker



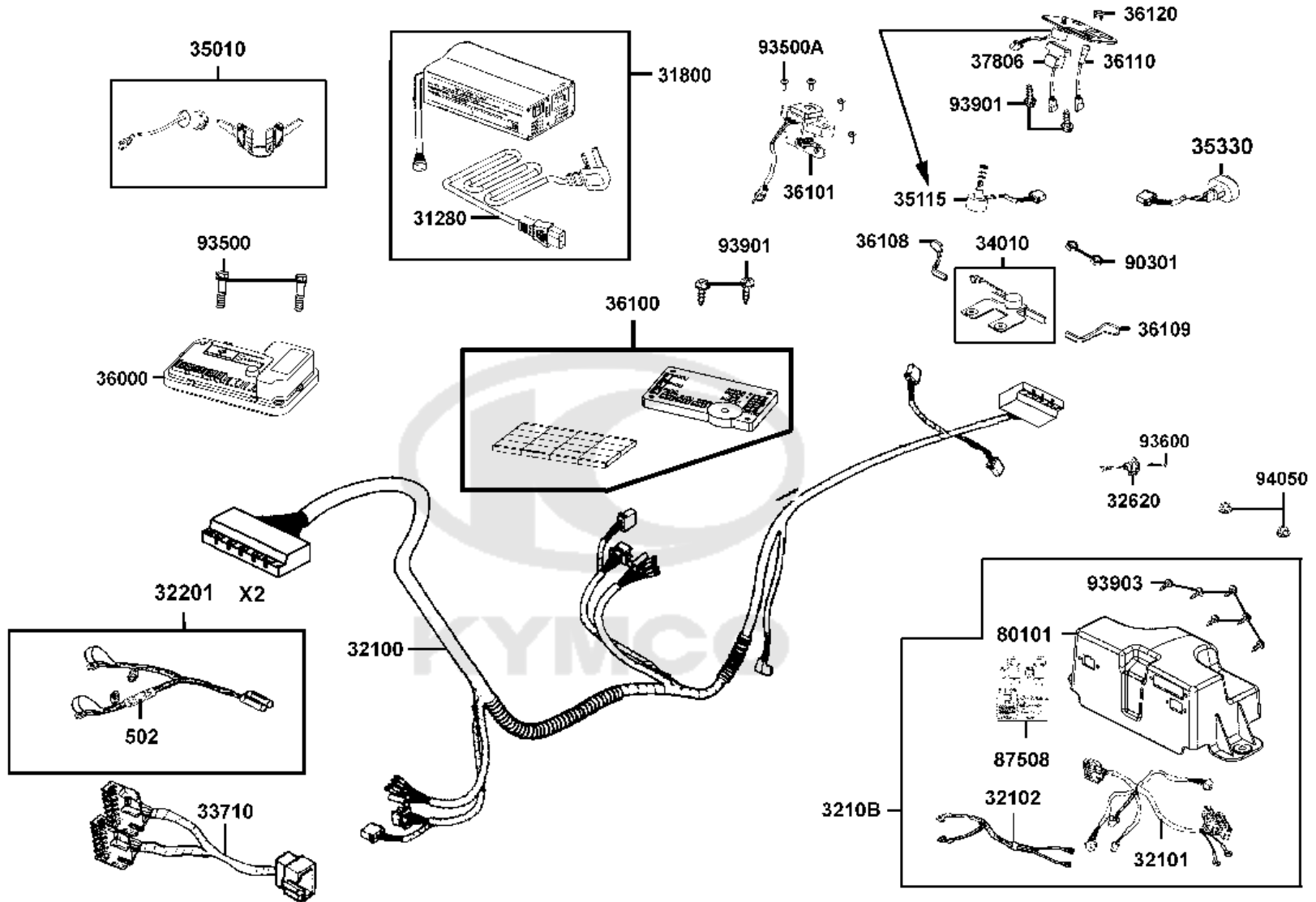
Sales mark	Ref no	Part no	Description	Reg description	Regd no	Ref Price	F09
	33400	33400-LAC5-900	WINKER ASSY RH FR	WINKER ASSY RH FR	1	16.25	
	33401	33401-LAC5-900	LENS COMP R FR WINKER	LENS COMP R FR WINKER	1	6.50	
	33404	33404-LAC5-900	BASE COMP R FR WINKER	BASE COMP R FR WINKER	1	26.00	
	33450	33450-LAC5-900	WINKER ASSY LH FR	WINKER ASSY LH FR	1	16.25	
	33451	33451-LAC5-900	LENS L FR WINKER CLEAR/ORANGE	LENS L FR WINKER CLEAR/ORANGE	1	6.50	
	33454	33454-LAC5-900	BASE COMP L FR WINKER	BASE COMP L FR WINKER	1	9.75	
	33600	33600-LAC5-900	WINKER ASSY RH RR	WINKER ASSY RH RR	1	16.25	
	33601	33601-LAC5-900	LENS COMP R RR WINKER	LENS COMP R RR WINKER	1	6.50	
	33604	33604-LAC5-900	BASE COMP R RR WINKER	BASE COMP R RR WINKER	1	9.75	
	33650	33650-LAC5-900	WINKER ASSY LH RR	WINKER ASSY LH RR	1	16.25	
	33651	33651-LAC5-900	LENS COMP L RR WINKER	LENS COMP L RR WINKER	1	6.50	
	33654	33654-LAC5-900	BASE COMP L RR WINKER	BASE COMP L RR WINKER	1	6.50	
	34903-LAC5	34903-LAC5-900	BULB POSITION	BULB POSITION	4	3.25	
	34905-LAC5	34905-LAC5-900	BULB WINKER 24V 10W	BULB WINKER 24V 10W	4	3.25	
	93901-32310	93901-32310	SCREW TAPPING 3*12	SCREW TAPPING 3*12	4	3.25	
	93903	93903-34380-G	SCREW TAPPING 4x12	SCREW TAPPING 4x12	1	3.25	



Sales mark	Ref no	Part no	Description	Reg description	Regd no	Ref Price	F10
	31280	31280-LAC5-E20	CORD AC POWER	CORD AC POWER	1	6.50	
	31800	31800-LAC5-E21	BATTERY CHARGER ASSY	BATTERY CHARGER ASSY	1	70.00	
	32100	32100-LAC5-710	HARNESS WIRE MAIN LOOM	HARNESS WIRE MAIN LOOM	1	26.00	
	32101	32101-LDB4-E25	SUB HARNESS A	SUB HARNESS A	1	22.80	
	32102	32102-LDB4-E24	CORD SET POWER	CORD SET POWER	1	33.44	
	3210B	3210B-LDB4-E25	ASSY SUB HARNESS&OWER CORD	ASSY SUB HARNESS&OWER CORD	1	53.77	
	32201	32201-LDB4-E21	CONNECT CORD BATTERY	CONNECT CORD BATTERY	1	18.20	
	32620	32620-LAC5-900	SOCKET CHARGER	SOCKET CHARGER	1	8.45	
	33710	33710-LDB4-900	USE 33710-LAC5-900	USE 33710-LAC5-900	1	16.25	
	34010	34010-LAC5-900	THROTTLE	THROTTLE	1	39.00	
	35010	35010-LAC5-E00	KEY SET	KEY SET	1	16.25	
	35115	35115-LAC5-900	SPEED POT 20K?	SPEED POT 20K?	1	11.70	
	35330	35330-LBE1-900	SW UNIT HI/LO	SW UNIT HI/LO	1	6.50	
	36000	36000-LDB4-E25	E.C.U ALT. 36000-LAC5-E25	E.C.U ALT. 36000-LAC5-E25	1	200.00	
	36100	36100-AAH6-E20	CONTROL METER	CONTROL METER	1	42.50	
	36101	36101-AAH6-E20	FROM EQ35BCUK04398/	FROM EQ35BCUK04398/ EQ35CBUK01270	1	28.60	
	36108	36108-LBE1-900	LEVER RH SPEED THROTTLE	LEVER RH SPEED THROTTLE	1	6.50	
	36109	36109-LBE1-900	LEVER LH SPEED THROTTLE	LEVER LH SPEED THROTTLE	1	6.50	
	36110	36110-LAC5-900	LED	LED	1	3.25	
	36120	36120-LAC5-900	LED HOUSE	LED HOUSE	1	3.25	

F10

Harness Wire



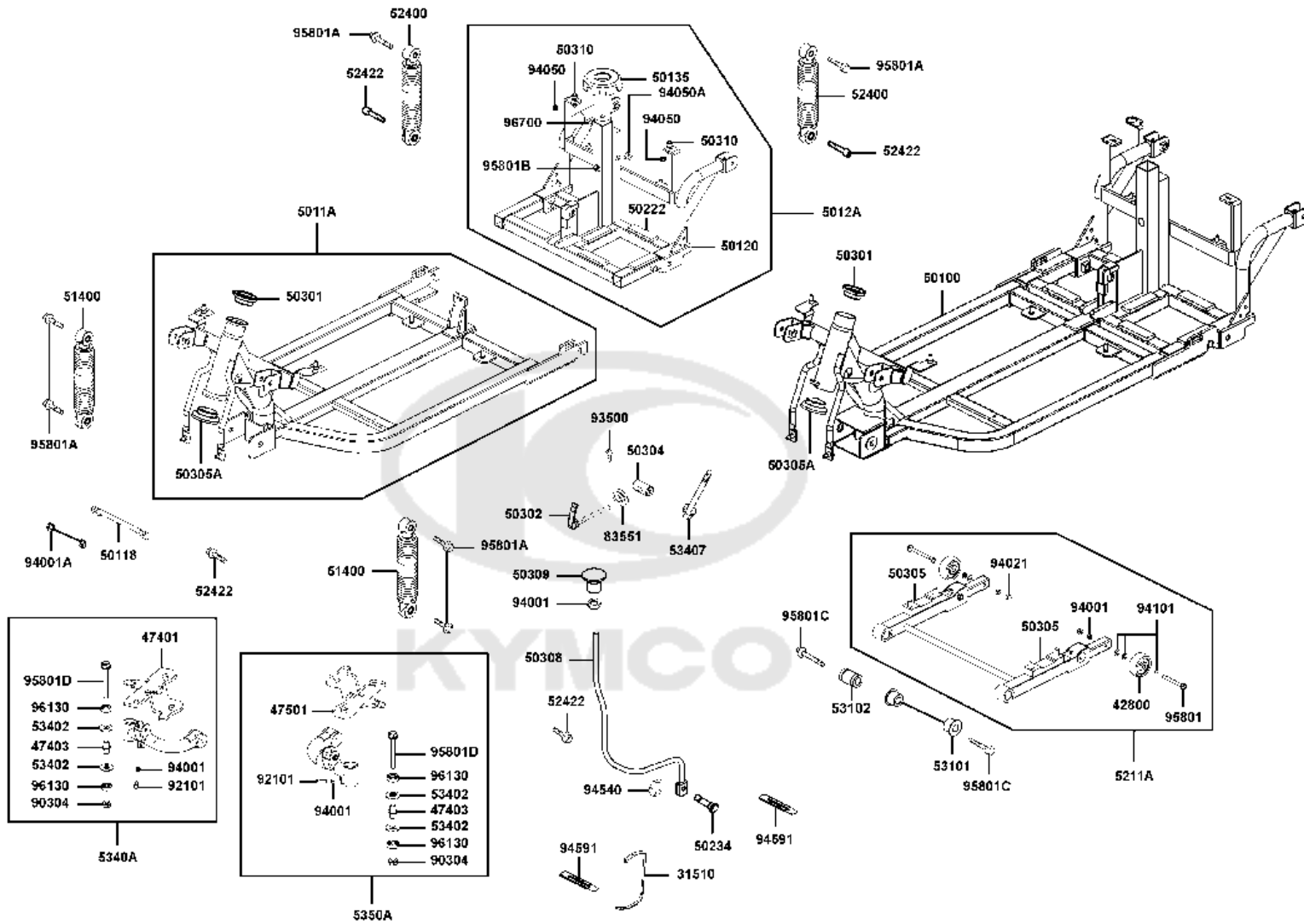
Sales mark	Ref no	Part no	Description	Reg description	Regd no	Ref Price	F10
	37806	37806-AAH6-E20	VU METER LED	VU METER LED	1	13.00	
	502	502-00111	BLADE FUSE 70A	BLADE FUSE 70A	1	3.25	
	80101	80101-LDB4-900	COVER ELEC CONTROL UNIT	COVER ELEC CONTROL UNIT	1	11.70	
	90301	90301-LAC5-671	NUT FLANGE 6MM	NUT FLANGE 6MM	6	3.25	
	93500A	93500-04012-0HG	SCREW PAN 4*12	SCREW PAN 4*12	4	3.25	
	93500	93500-04030-0HG	SCREW PAN 4*30	SCREW PAN 4*30	1	3.25	
	93600	93600-02008-0A	SCREW FLAT 2.5*8	SCREW FLAT 2.5*8	2	3.25	
	93901	93901-32120	SCREW TAPPING 3*8 **(1) C.V.	SCREW TAPPING 3*8 **(1) C.V.	4	0.26	
	93903	93903-14380-G	SCREWTAPPING 4x12	SCREWTAPPING 4x12	1	3.25	
	94050	94050-06080-G	NUT FLANGE 6MM	NUT FLANGE 6MM	2	0.49	



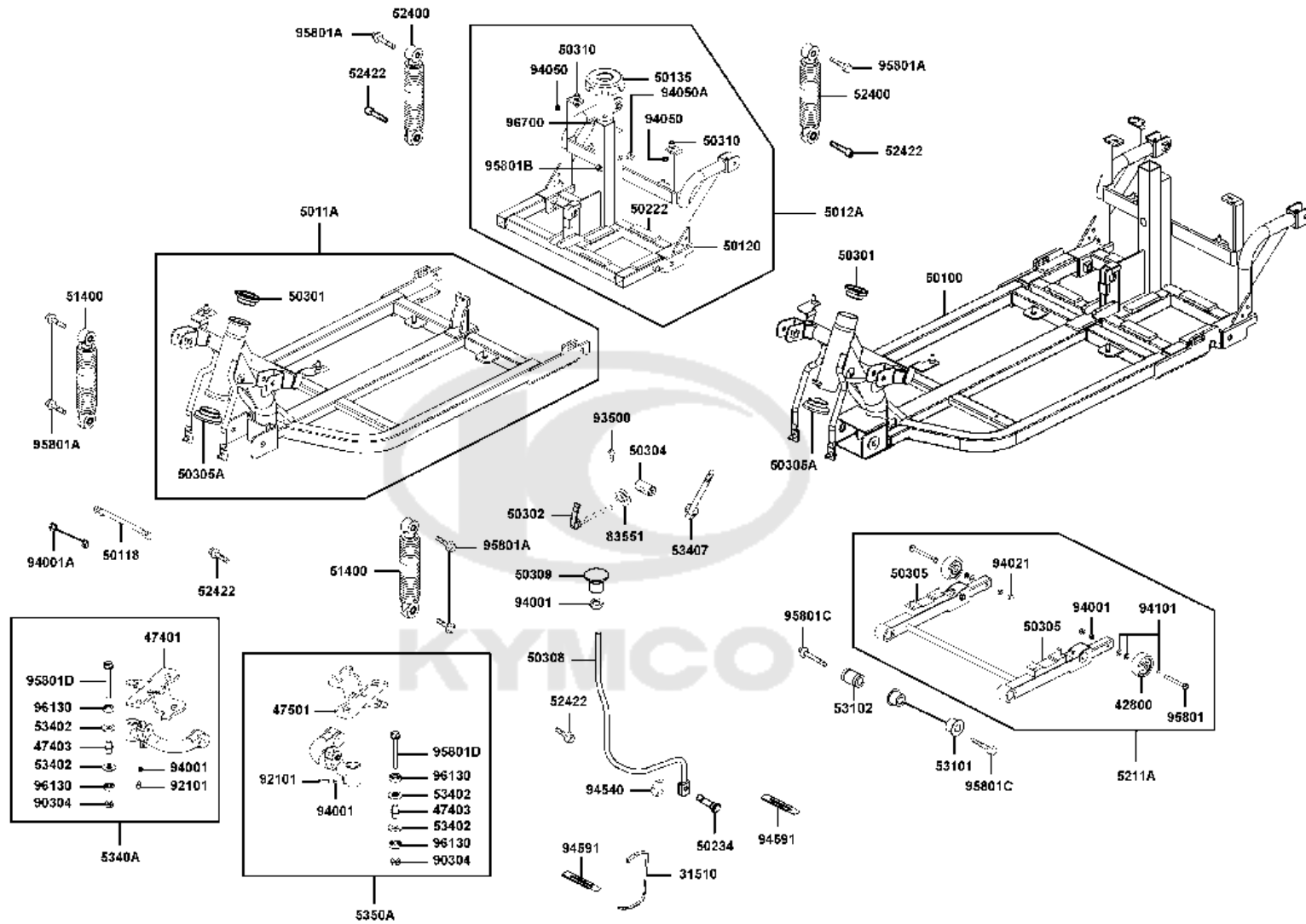
Sales mark	Ref no	Part no	Description	Reg description	Regd no	Ref Price	F11
	31510	31510-LAC5-900	BAND BATTERY	BAND BATTERY	1	3.25	
	42800	42800-LAC5-900	ANTI-TIP WHEEL	ANTI-TIP WHEEL	2	3.25	
	47401	47401-LDB4-900	"SHAFT COMP R ,FR"	"SHAFT COMP R ,FR"	1	16.25	
	47403	47403-LBB7-E00	COLLAR STRG SHAFT	COLLAR STRG SHAFT	2	3.25	
	47501	47501-LDB4-900	"SHAFT COMP L ,FR"	"SHAFT COMP L ,FR"	1	16.25	
	50100	50100-LDB4-E01	BODY COMP FRAME	BODY COMP FRAME	1	187.20	
	50118	50118-LDB4-900	BAR FR BUMPER	BAR FR BUMPER	1	5.20	
	5011A	5011A-LDB4-E00	FRONT FRAME ASSY	FRONT FRAME ASSY	1	70.00	
	50120	50120-LDB4-E00	BODY COMP REAR FRAME	BODY COMP REAR FRAME	1	97.37	
	5012A	5012A-LDB4-E00	REAR FRAME ASSY	REAR FRAME ASSY	1	99.18	
	50135	50135-LDB4-900	PIPE B SEAT SET	PIPE B SEAT SET	1	18.20	
	50222	50222-LAC5-900	RUBBER BATTERY SET	RUBBER BATTERY SET	8	3.25	
	50234	50234-LBE1-910	SHAFTN BRAKE LEAVE	SHAFTN BRAKE LEAVE	1	9.10	
	50301	50301-LHD7-900	HEAD CUP TOP 1"	HEAD CUP TOP 1"	1	3.25	
	50302	50302-LDB4-900	SHAFT SET LOCK	SHAFT SET LOCK	1	3.25	
	50304	50304-LDB4-900	COLLAR FRAME LOCK	COLLAR FRAME LOCK	1	3.25	
	50305	50305-LAC5-900	RUBBER MOTOR	RUBBER MOTOR	2	4.55	
	50305A	50305-LDB4-004	RACE UNDER STRG BALL	RACE UNDER STRG BALL	2	3.25	
	50308	50308-LDB4-900	BAR BRAKE LEAVE	BAR BRAKE LEAVE	1	3.25	
	50309	50309-LAC5-900	BRAKE LEAVE KNOB	BRAKE LEAVE KNOB	1	3.25	

F11

Frame Body

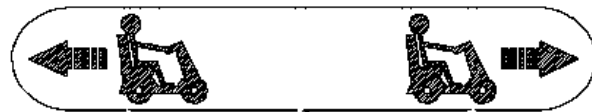


Sales mark	Ref no	Part no	Description	Reg description	Regd no	Ref Price	F11
	50310	50310-LAC5-900	BOLT LOCK PIN	BOLT LOCK PIN	2	3.25	
	51400	51400-LDB4-820	CUSHION ASSY FR/YELLOW ALT	CUSHION ASSY FR/YELLOW ALT 51400-	2	27.30	
	5211A	5211A-LDB4-E20	FORK ASSY REAR	FORK ASSY REAR	1	55.25	
	52400	52400-LDB4-820	CUSHION ASSY RR/YELLOW	CUSHION ASSY RR/YELLOW	2	27.30	
	52422	52422-LDB4-900	SOCKET BOLT 8X42	SOCKET BOLT 8X42	2	27.30	
	53101	53101-LDB4-900	COLLAR REAR FORK	COLLAR REAR FORK	4	3.25	
	53102	53102-LDB4-900	COLLAR REAR FORK	COLLAR REAR FORK	1	3.25	
	53402	53402-LBB7-E00	WASHER	WASHER	4	3.25	
	53407	53407-LDB4-900	BOLT FLANGE 10X100	BOLT FLANGE 10X100	1	3.25	
	5340A	5340A-LDB4-910	ARM SET RH .SWING	ARM SET RH .SWING	1	33.81	
	5350A	5350A-LDB4-910	ARM SET LH .SWING	ARM SET LH .SWING	1	33.81	
	83551	83551-LDB4-E20	GROMMET.COVER ALT 83551-KKAK-	GROMMET.COVER ALT 83551-KKAK-900	1	3.25	
	90304	90304-GHE8-004	NUT U 10MM **GE8-0040 C.2005.03.01	NUT U 10MM **GE8-0040 C.2005.03.01	2	0.68	
	92101	92101-06020-0G	BOLT HEX 6X20	BOLT HEX 6X20	2	0.23	
	93500	93500-04010-0F	SCREW PAN 4X10(G)	SCREW PAN 4X10(G)	1	0.64	
	94001	94001-06080-0SG	NUT HEX 6MM	NUT HEX 6MM	1	3.25	
	94001A	94001-10080-0SG	NUT HEX 10MM	NUT HEX 10MM	1	3.25	
	94021	94021-06080-0SG	NUT HEX CAP 6MM	NUT HEX CAP 6MM	2	3.25	
	94050	94050-06080-G	NUT FLANGE 6MM	NUT FLANGE 6MM	2	0.49	
	94050A	94050-08060	NUT FLANGE 8MM	NUT FLANGE 8MM	1	0.49	

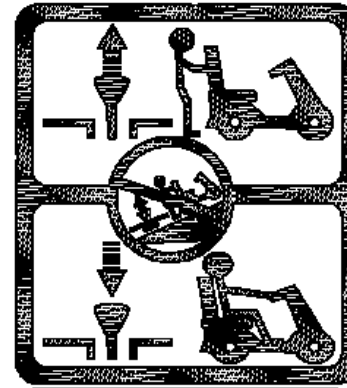


Sales mark	Ref no	Part no	Description	Reg description	Regd no	Ref Price	F11
	94101	94101-06800-G	WASHER PLAN 6MM	WASHER PLAN 6MM	6	0.12	
	94540	94540-05020	E RING 5	E RING 5	1	3.25	
	94591	94591-27000	CLIP 2*70	CLIP 2*70	2	0.41	
	95801	95801-06055-08G	BOLT FLANGE 6*55	BOLT FLANGE 6*55	1	3.25	
	95801A	95801-08035-06	BOLT FLANGE 8*35 **LLJ1-900	BOLT FLANGE 8*35 **LLJ1-900	6	0.36	
	95801B	95801-08065-08G	BOLT FLANGE 8*65	BOLT FLANGE 8*65	1		
	95801C	95801-10045-08G	BOLT FLANGE 10*45 (C)	BOLT FLANGE 10*45 (C)	1	1.22	
	95801D	95801-10080-06	BOLT FLANGE 10X80	BOLT FLANGE 10X80	2	3.25	
	96130	96130-60000-00	BEARING 6000Z	BEARING 6000Z	4	3.25	
	96700	96700-08015-06	SOCKET BOLT 8*15 (G)	SOCKET BOLT 8*15 (G)	1	3.25	





87560



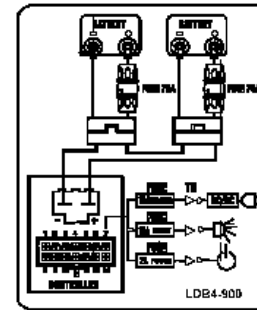
87501



87562



87532



87508

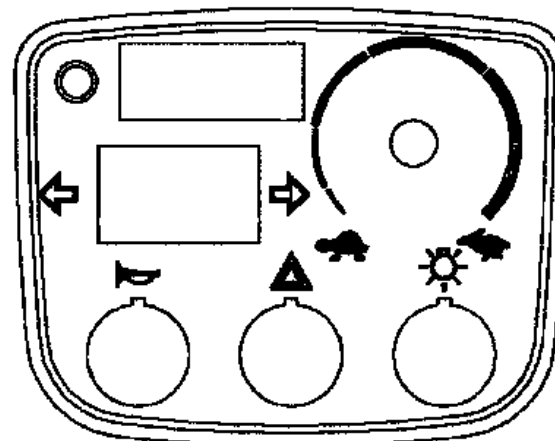
Sales mark	Ref no	Part no	Description	Reg description	Regd no	Ref Price	F12
------------	--------	---------	-------------	-----------------	---------	-----------	------------

**	87501	87501-LAC5-900	USE CAUTION SILVER	USE CAUTION SILVER	1	3.25	
**	87508	87508-LDB4-900	LABEL BATTERY	LABEL BATTERY	1	3.25	
**	87532	87532-KGAG-V00	MARK KYMCO	MARK KYMCO	1	1.00	
**	87560	87560-LAC5-900	MARK DRIVE CAUTION	MARK DRIVE CAUTION	1	3.25	
**	87562	87562-LBE1-E00	LABLE SPEED SW	LABLE SPEED SW	1	3.25	





86201



86444



86211

Sales mark	Ref no	Part no	Description	Reg description	Regd no	Ref Price	F13
------------	--------	---------	-------------	-----------------	---------	-----------	------------

**	86201	86201-LDB4-E20	STRIPE SUPER 6	STRIPE SUPER 6	1	3.25	
**	86444	86444-LAC5-900	EMB METER	EMB METER	1	6.50	



F14

KEY

35111



Sales mark	Ref no	Part no	Description	Reg description	Regd no	Ref Price	F14
------------	--------	---------	-------------	-----------------	---------	-----------	------------

35111	35111-KNBN-920	KEY COMP	KEY COMP	KEY COMP	1	5.85	
-------	----------------	----------	----------	----------	---	------	--



PART NO. INDEX

PART NO.	VERSION	PAGE	PART NO.	VERSION	PAGE	PART NO.	VERSION	PAGE
11000			32000			34000		
1110A-LDB4-M30	8	E01	32100-LAC5-710	5	F10	34010-LAC5-900	7	F10
11302-LAC5-900	0	E01	32101-LDB4-E25	2	F10	34903-LAC5-900	1	F09
			32102-LDB4-E24	2	F10	34905-LAC5-900	1	F09
13000			3210B-LDB4-E25	2	F10			
			32201-LDB4-E21	2	F10	35000		
13331-LAC5-900	0	E01	32620-LAC5-900	5	F10	35010-LAC5-E00	2	F10
						35110-LAC5-900	5	F01
31000			33000			35111-KNBN-920	0	F14
31280-LAC5-E20	2	F10	33400-LAC5-900	6	F09	35115-LAC5-900	1	F10
31300-LAC5-950	2	E01	33401-LAC5-900	1	F09	35150-LAC5-900	4	F01
31340-LAC5-900	0	E01	33404-LAC5-900	2	F09	35180-LAC5-E20	3	F01
31345-LAC5-305	0	E01	33450-LAC5-900	6	F09	35190-LAC5-900	7	F01
31347-LAC5-305	0	E01	33451-LAC5-900	1	F09	35200-LAC5-900	3	F01
31350-LAC5-900	0	E01	33454-LAC5-900	2	F09	35330-LBE1-900	1	F10
31350-LAC5-950	0	E01	33600-LAC5-900	7	F09			
31500-LAC5-900	3	F07	33601-LAC5-900	3	F09	36000		
31500-LAC5-90A	1	F07	33604-LAC5-900	2	F09	36000-LDB4-E25	1	F10
31510-LAC5-900	4	F11	33650-LAC5-900	7	F09	36100-AAH6-E20	4	F10
31520-LAC5-900	3	F07	33651-LAC5-900	3	F09	36101-AAH6-E20	4	F10
31800-LAC5-E21	4	F10	33654-LAC5-900	2	F09	36108-LBE1-900	2	F10
			33710-LDB4-900	2	F10	36109-LBE1-900	2	F10
			33741-GFY6-C30	1	F08			

PART NO. INDEX

PART NO.	VERSION	PAGE	PART NO.	VERSION	PAGE	PART NO.	VERSION	PAGE
36110-LAC5-900	3	F10						
36120-LAC5-900	2	F10						
37000			50000			51000		
			50100-LDB4-E01	4	F11	51400-LDB4-820	1	F11
			50118-LDB4-900	3	F11			
37806-AAH6-E20	6	F10	5011A-LDB4-E00	2	F11	52000		
			50120-LDB4-E00	3	F11			
42000			5012A-LDB4-E00	3	F11	5211A-LDB4-E20	2	F11
			50135-LDB4-900	4	F11	52400-LDB4-820	1	F11
42600-LAC5-E23	3	F05	50150-LAC5-910	0	F01	52422-LDB4-900	3	F11
42705-LAC5-900	5	F05	50160-LAC5-900	7	F01			
42800-LAC5-900	6	F11	50222-LAC5-900	3	F11	53000		
			50227-LDB4-900	7	F08			
44000			50234-LBE1-910	2	F11	53100-LBB6-900	4	F01
			50301-LHD7-900	2	F11	53100-LBB6-930	1	F01
44600-LAC5-E23	3	F04	50302-LDB4-900	2	F11	53101-LDB4-900	2	F11
44620-LAC5-E23	0	F04	50304-LDB4-900	2	F11	53102-LDB4-900	2	F11
44705-LAC5-900	7	F04	50305-LAC5-900	2	F11	53104-LAC5-E00	4	F01
			50305-LDB4-004	1	F11	53125-LAC5-900	6	F01
47000			50306-LHD7-900	3	F03	53166-KNBN-911	0	F01
			50308-LDB4-900	3	F11	53166-LAC5-911	1	F01
47401-LDB4-900	2	F11	50309-LAC5-900	3	F11	53190-LAC5-90A	9	F01
47403-LBB7-E00	5	F11	50310-LAC5-900	4	F11	53191-LAC5-900	2	F01
47410-LAC5-E23	0	F04	50350-LDB4-900	2	E01	53196-LAC5-900	4	F01
47410-LAC5-E23	0	F05				53200-LDB4-900	4	F03
47501-LDB4-900	2	F11				53204-LBB6-900	1	F01

PART NO. INDEX

PART NO.	VERSION	PAGE	PART NO.	VERSION	PAGE	PART NO.	VERSION	PAGE
53205-LAC5-900	5	F01						
53206-LBE1-900	1	F01	77000			87000		
53207-LAC5-900	8	F01						
53209-LAC5-900	8	F01	77100-LAC5-810	2	F06	87501-LAC5-900	7	F12
53211-LHD7-900	2	F03	77200-LAC5-500	4	F06	87508-LDB4-900	2	F10
53212-LDB4-004	1	F03	77205-LAC5-900	5	F06	87508-LDB4-900	2	F12
53402-LBB7-E00	5	F11	77223-LAC5-305	2	F06	87532-KGAG-V00	6	F12
53406-LAC5-900	2	F01	77223-LDB4-305	1	F06	87560-LAC5-900	4	F12
53407-LDB4-900	4	F11	77300-LAC5-810	2	F06	87562-LBE1-E00	3	F12
5340A-LDB4-910	5	F11						
5350A-LDB4-910	5	F11	80000			88000		
53700-LAC5-700	4	F03						
53701-LAC5-700	4	F03	80101-LDB4-900	5	F10	88120-LAC5-910	4	F01
53702-LAC5-900	6	F03						
53703-LAC5-900	6	F03	83000			90000		
53800-LAC5-700	4	F03						
53801-LAC5-700	4	F03	83500-LAC5-900	5	F08	90023-LAC5-001	1	F02
			83551-KKAK-900	0	F08	90301-4C73-004	0	F01
64000			83551-LDB4-E20	1	F11	90301-LAC5-001	1	F02
			83600-LAC5-900	7	F08	90301-LAC5-671	1	F02
64302-LAC5-900	5	F02				90301-LAC5-671	1	F10
64310-LAC5-900	5	F02	86000			90302-GFY6-911	1	F01
64316-LAC5-900	2	F02				90302-KEC8-910	1	F01
64320-LAC5-900	2	F02	86201-LDB4-E20	0	F13	90302-SDA4-004	3	F01
64330-LAC5-900	4	F02	86211-LDB4-900	5	F13	90302-SDA4-004	3	F02
			86444-LAC5-900	9	F13	90304-GHE8-004	0	F04

PART NO. INDEX

PART NO.	VERSION	PAGE	PART NO.	VERSION	PAGE	PART NO.	VERSION	PAGE
90304-GHE8-004	0	F11	93903-34380-G	0	F01			
90306-LDB4-90A	1	F05	93903-34380-G	0	F02	95000		
90309-LDB4-90A	1	F01	93903-34380-G	0	F08			
90309-LDB4-90A	1	F03	93903-34380-G	0	F09	95801-06055-08G	0	F11
			93903-GFY6-910	1	F01	95801-08035-06	1	F01
91000			94000			95801-08035-06	1	F11
						95801-08045-08G	0	F01
91014-LHD7-900	2	F03				95801-08065-08G	0	F11
91015-LAC5-E20	2	F03	94001-06080-0SG	0	F11	95801-10045-08G	0	F11
			94001-08080-0S	0	F03	95801-10080-06	0	F11
92000			94001-10080-0SG	0	F11			
			94001-LAC5-900	2	F03	96000		
92101-06020-0G	0	F11	94021-06080-0SG	0	F11			
			94050-06080-G	1	F08	96130-60000-00	0	F11
93000			94050-06080-G	1	F10	96130-62020-10	0	F04
			94050-06080-G	1	F11	96600-06060-08G	1	E01
93500-04010-0F	0	F01	94050-08060	0	F11	96700-08015-06	0	F11
93500-04010-0F	0	F11	94050-08080-G	1	E01			
93500-04012-0HG	0	F10	94050-08080-G	1	F01	502000		
93500-04030-0HG	0	F10	94101-06800-G	1	F11			
93600-02008-0A	0	F10	94111-08800	0	F03	502-00111	0	F10
93891-04012-06	0	E01	94510-19000	0	E01			
93901-32120	1	F10	94540-05020	0	F11			
93901-32310	0	F09	94591-27000	0	F11			
93903-14380-G	0	F02						
93903-14380-G	0	F10						