

PARTS CATALOGUE



MOBILITY SCOOTER

EQ35FA(UK)

Agility



Release Date : 2018/11/06
Print Date : 2019/11/01

ABOUT THIS PARTS LIST

- This parts list is compiled all service parts for model EQ35FA(UK).
- Any difference between color chart and motorcycle will be revised according to motorcycle.
- The Mark:
 1. Marking "***" must add color code in the end before ordering parts.
 2. Marking "#" are parts with modification, Please find the details from e-Parts system.
- When modification or additions to this parts list are made a revised edition at an appropriate time.



CONTENTS

● ABOUT THIS PARTS LIST	1
● COLOR CHART OF EQ35FA(UK)	3
● CONTENTS-ENGINE GROUP	5
● CONTENTS-FRAME GROUP	6
● ENGINE PARTS LIST	8
● FRAME PARTS LIST	10
● PART NO. INDEX	50

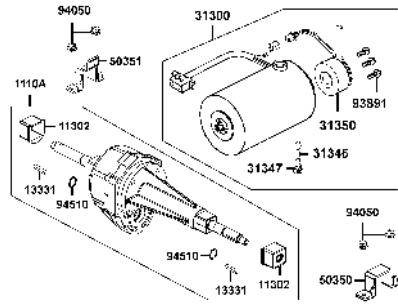


NO	MODEL			COLOR CHART OF EQ35FA(UK)			
	PHOTO NO			NO. 1	NO. 2	NO. 3	NO. 4
	BASIC COLOR			Bright Blue	Dark Red	Deep Brown	Black
	CODE			Bright Blue	Dark Red	Deep Brown	Black
	PARTS NAME	PARTS NO.	VERSION	PB107MA	RR157MA	RR357MA	NH001SA
1	COVER FRONT UP	64303-ACF5-E00	0	BAP	EKP	ENP	N1P
2	COVER FLOOR FR	64340-ACF5-E00	0				
3	COVER BODY LOW	83600-ACF5-E00	0				
4	BUMPER FR	64302-ACF5-E00	0				
5	FLOOR PANEL	64310-ACF5-E00	0				
6	PLUG FLOOR	64316-ABA5-E00	0				
7	PLUG FLOOR	64316-ACF5-E00	0				
8	LEG SHIELD	81131-ABA5-E00	0				
9	LEG SHIELD LOW	81141-ABA5-E00	0				
10	COVER RR TIRE	83750-ACF5-E00	0				
11	BUMPER RR	83751-LAC5-900	1				
12	BAND HARNESS WIRE	90656-KUDU-900	0				
13	COVER FRONT	64301-ACF5-E00	0				
14	COVER BODY UP	83500-ACF5-E00	0				
15	MIRROR ASSY R BACK	88110-LBE1-800	2				
16	MIRROR ASSY L BACK	88120-LBE1-800	2				
17	SEAT ASSY.	77200-ACF5-E00	3				
18	EMB MARK KYMCO	87206-ABA5-E00	1	T01			
19	EMB MARK KYMCO	87206-LGE5-E00	1				
20	LABEL BATTERY	87508-ACF5-E00	2				
21	MAR DRIVE CAUTION	87560-LAC5-900	4				
22	USE CAUTION	87501-LED5-910	1	T02			
23	EMB K-LOGO '30MM	86102-LCA5-900	4	T03			
DATE OF STARTING-SALES							
DATE OF END-SALES							


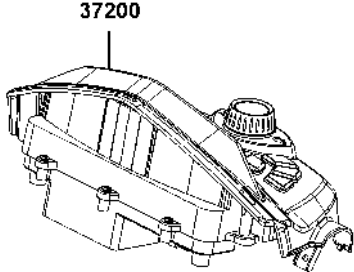
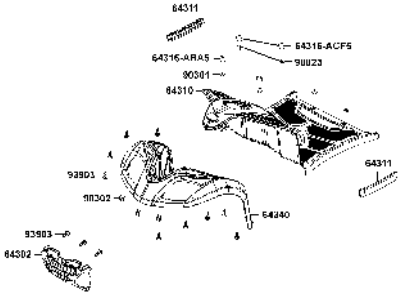
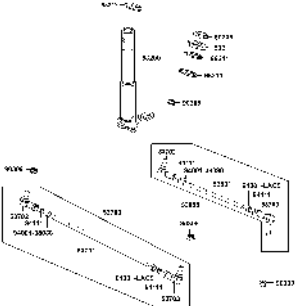
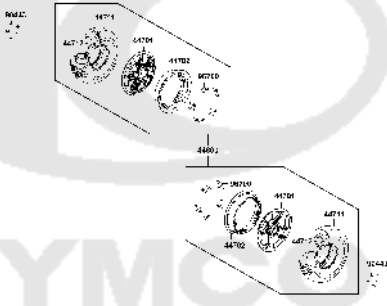
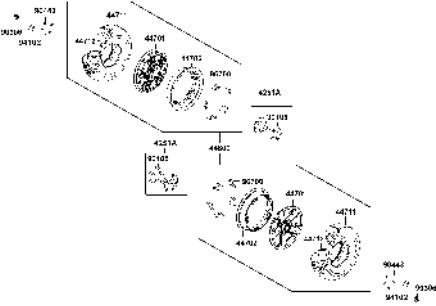
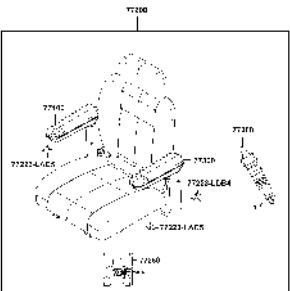
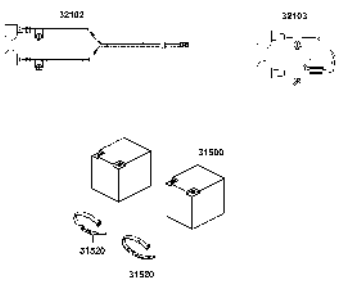
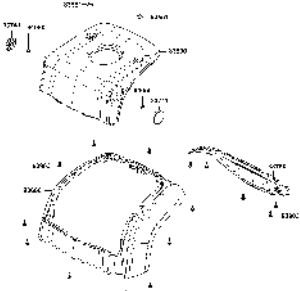
NO	MODEL			COLOR CHART OF EQ35FA(UK)				
	PHOTO NO			NO. 5	NO. 6	NO. 7		
	BASIC COLOR			Burgundy	Dark Red	Brown Crystal		
	CODE			Burgundy	Dark Red	Brown Crystal		
	PARTS NAME	PARTS NO.	VERSION	RR132MA	RR132MA	YR167MA		
1	COVER FRONT UP	64303-ACF5-E00	0	R7P		YZP		
2	COVER FLOOR FR	64340-ACF5-E00	0					
3	COVER BODY LOW	83600-ACF5-E00	0					
4	BUMPER FR	64302-ACF5-E00	0	N1R				
5	FLOOR PANEL	64310-ACF5-E00	0					
6	PLUG FLOOR	64316-ABA5-E00	0					
7	PLUG FLOOR	64316-ACF5-E00	0					
8	LEG SHIELD	81131-ABA5-E00	0					
9	LEG SHIELD LOW	81141-ABA5-E00	0					
10	COVER RR TIRE	83750-ACF5-E00	0					
11	BUMPER RR	83751-LAC5-900	1					
12	BAND HARNESS WIRE	90656-KUDU-900	0					
13	COVER FRONT	64301-ACF5-E00	0					N8P
14	COVER BODY UP	83500-ACF5-E00	0					
15	MIRROR ASSY R BACK	88110-LBE1-800	2					
16	MIRROR ASSY L BACK	88120-LBE1-800	2					
17	SEAT ASSY.	77200-ACF5-E00	3	T01				
18	EMB MARK KYMCO	87206-ABA5-E00	1					
19	EMB MARK KYMCO	87206-LGE5-E00	1					
20	LABEL BATTERY	87508-ACF5-E00	2					
21	MAR DRIVE CAUTION	87560-LAC5-900	4					
22	USE CAUTION	87501-LED5-910	1	T02				
23	EMB K-LOGO '30MM	86102-LCA5-900	4	T03				
DATE OF STARTING-SALES								
DATE OF END-SALES								

CONTENTS - ENGINE GROUP

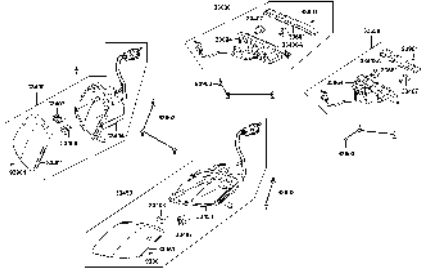
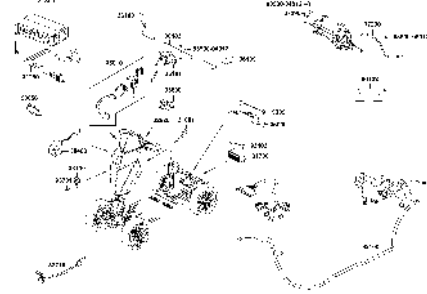
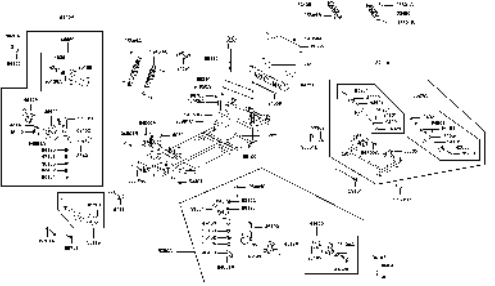
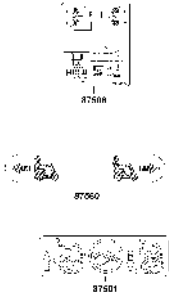
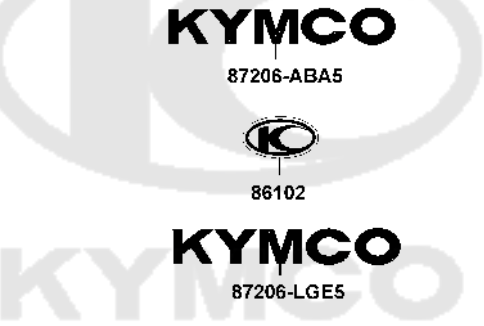

E01 Motor



CONTENTS - FRAME GROUP

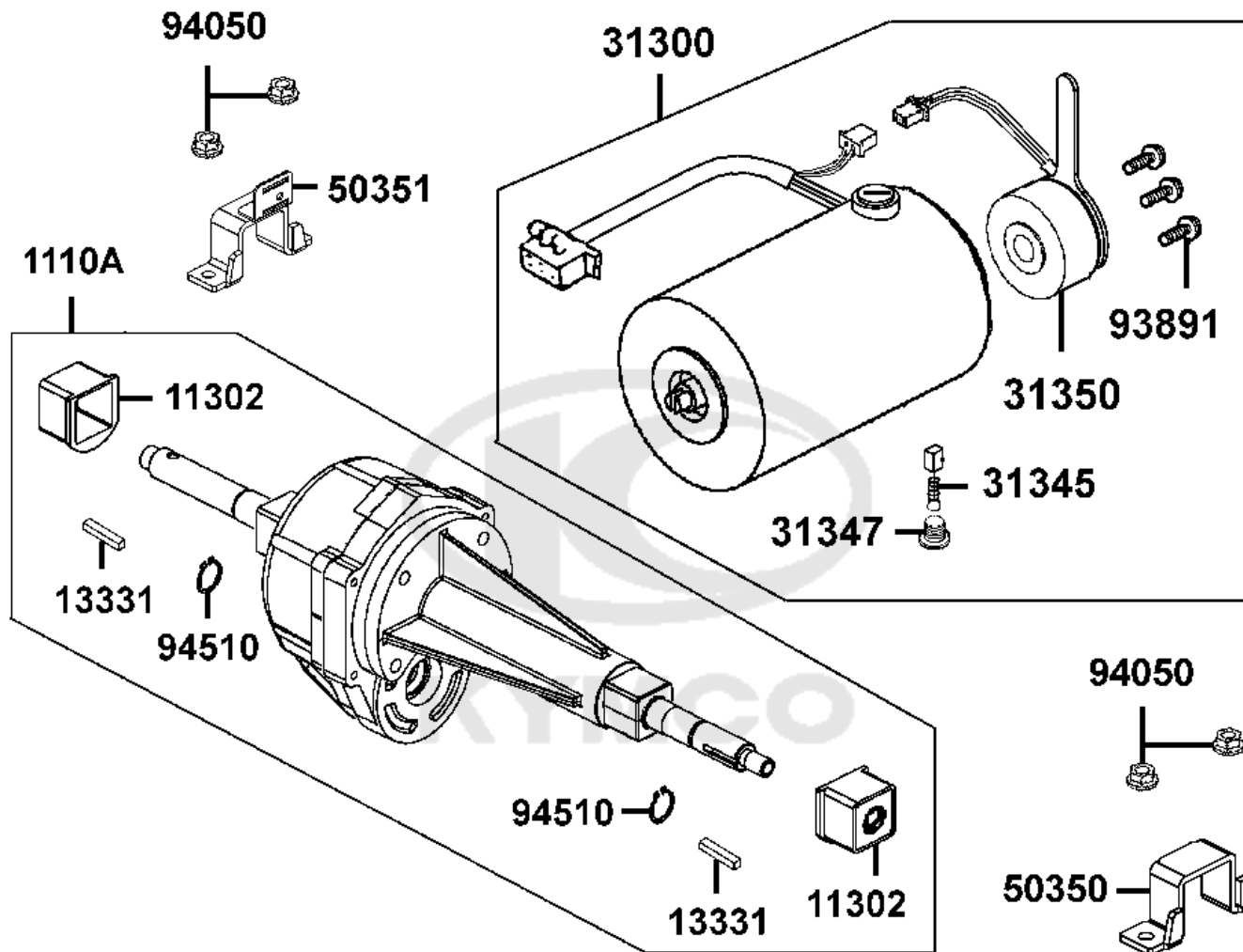
<p>F01 Handle Steering</p>	<p>F02 METER ASSY SPEED</p>	<p>F03 Floor</p>
		
<p>F04 Steering Stem</p>	<p>F05 Front Wheel</p>	<p>F06 Rear Wheel</p>
		
<p>F07 Seat</p>	<p>F08 Battery</p>	<p>F09 Body Cover</p>
		

CONTENTS - FRAME GROUP

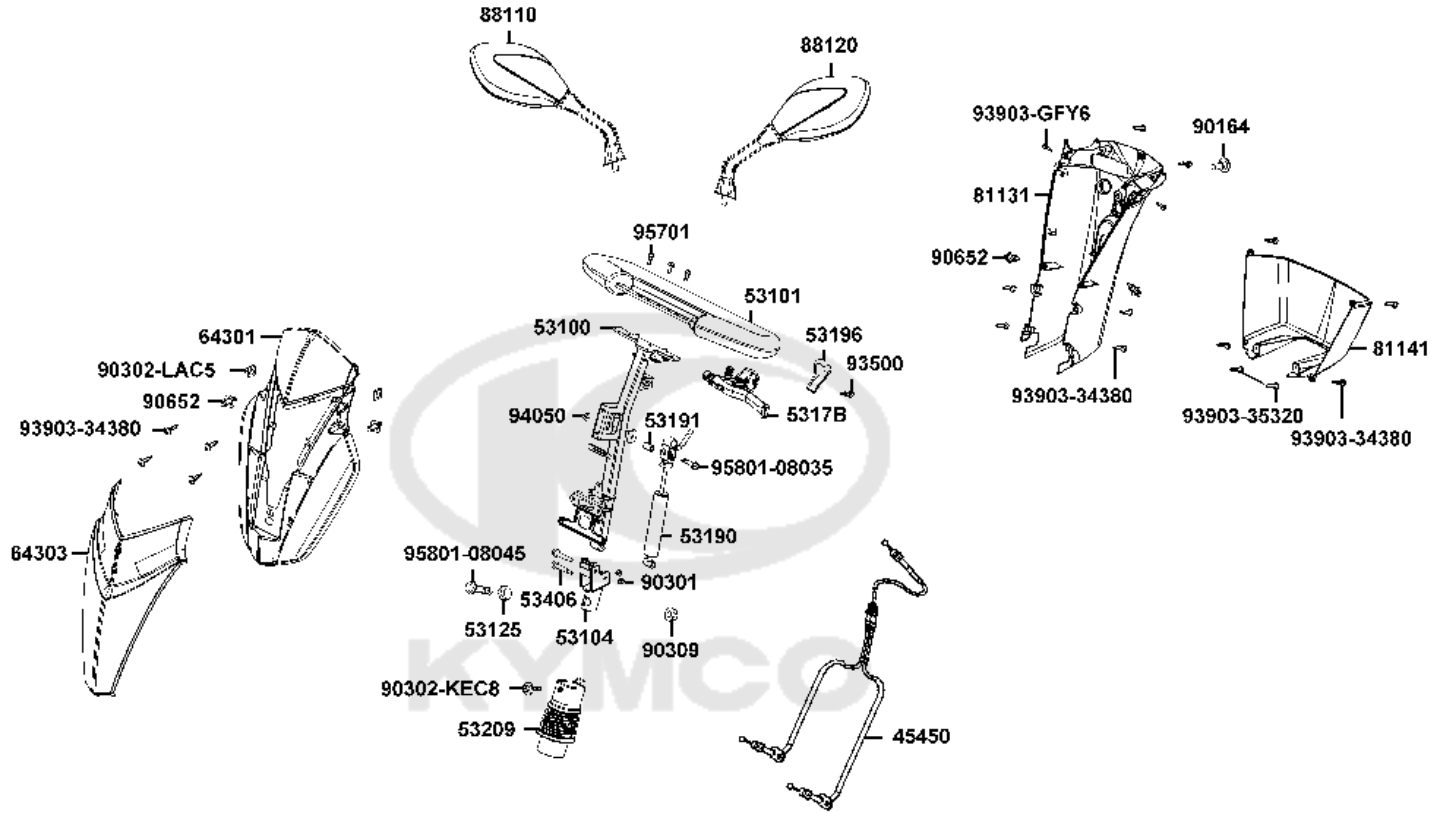
<p>F10 Winker Assy RH</p>	<p>F11 Harness Wire</p>	<p>F12 Frame Body</p>
		
<p>F13 Caution Label</p>	<p>F14 Emblem Stripe</p>	<p>F15 KEY</p>
		

E01

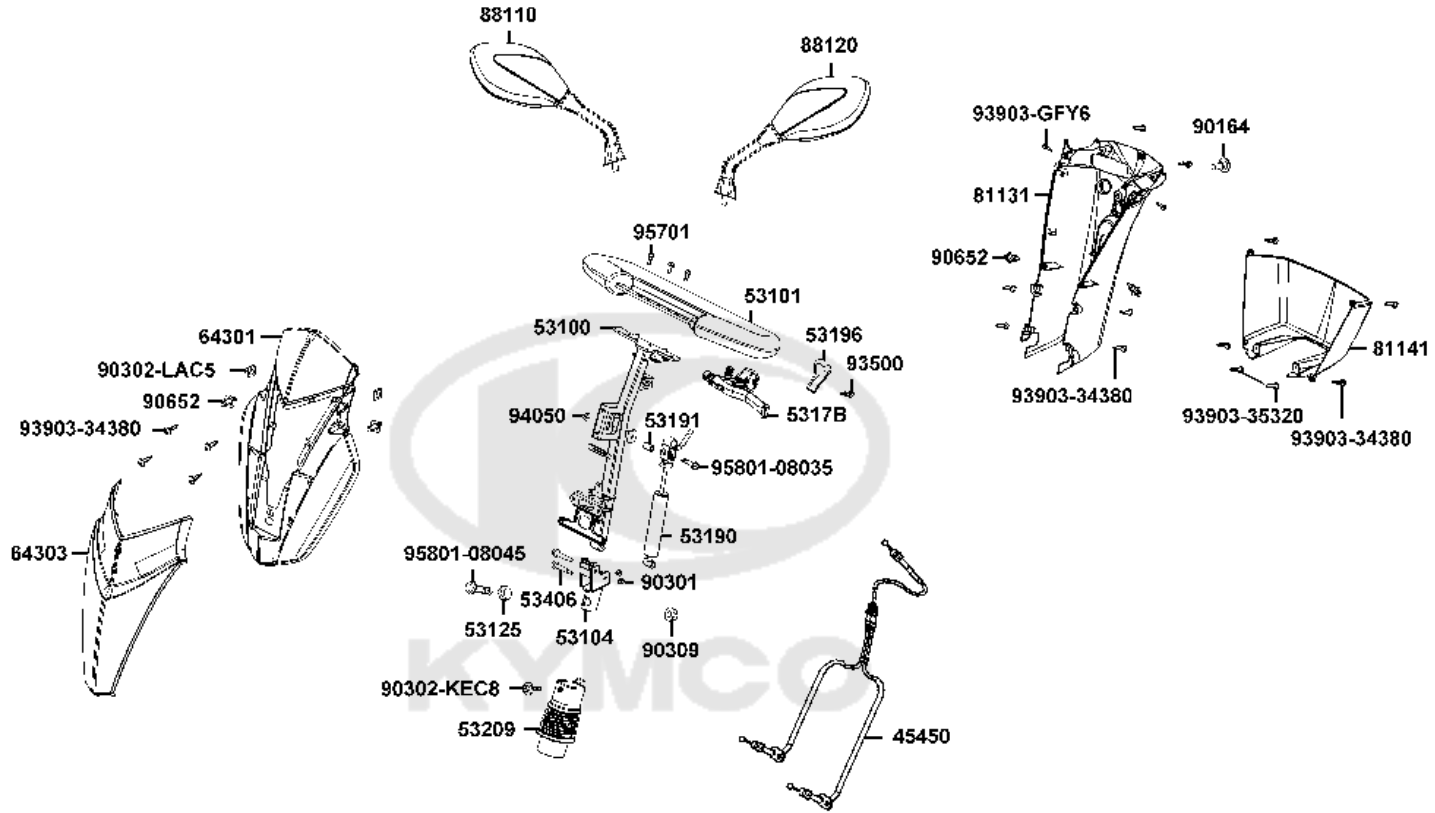
Motor



Sales mark	Ref no	Part no	Description	Reg description	Regd no	Ref Price	E01
	1110A	1110A-ACF5-E20	GEAR BOX	GEAR BOX	1	210.00	
	11302	11302-LAC5-900	RUBBER	RUBBER	2	6.50	
	13331	13331-LAC5-900	KEY 4.8*4.8*30	KEY 4.8*4.8*30	2	3.25	
	31300	31300-ACF5-E20	MOTOR ASSY UP TO UK03440	MOTOR ASSY UP TO UK03440	1	175.50	
	31300	31300-ACF5-E21	MOTOR ASSY AFTER UK03440	MOTOR ASSY AFTER UK03440	1	175.50	
	31345	31345-AAH6-305	MOTOR BRUSH- MIDI XLS/ AGILITY	MOTOR BRUSH- MIDI XLS/ AGILITY	1	3.25	
	31347	31347-AAH6-305	CAP BRUSH	CAP BRUSH	1	3.25	
	31350	31350-ACF5-E20	BRAKE ASSY	BRAKE ASSY	1	70.20	
	50350	50350-LDB4-900	CONNECTOR MISSION	CONNECTOR MISSION	1	5.20	
	50351	50351-ACF5-E20	CONNECTOR MISSION R	CONNECTOR MISSION R	1	5.20	
	93891	93891-04012-06	SCREW WASHER 4*12	SCREW WASHER 4*12	3	0.13	
	94050	94050-08080-G	NUT FLANGE 8MM (C)	NUT FLANGE 8MM (C)	4	0.49	
	94510	94510-19000	CIRCLIP EX 1.9	CIRCLIP EX 1.9	2	2.12	



Sales mark	Ref no	Part no	Description	Reg description	Regd no	Ref Price	F01
	45450	45450-ACF5-E20	BRAKE CABLE- AGILITY	BRAKE CABLE- AGILITY	1	9.10	
	53100	53100-ACF5-E20	HANDLE COMP TILLET	HANDLE COMP TILLET	1	81.25	
	53101	53101-ABA5-E20	HANDLE GRIP	HANDLE GRIP	1	81.25	
	53104	53104-LED3-900	"STAY COMP ,HANDLE"	"STAY COMP ,HANDLE"	1	11.70	
	53125	53125-LAC5-900	COLLAR HANDLE SET	COLLAR HANDLE SET	1	3.25	
	5317B	5317B-LED4-900	LEVER ASSY HANDLE LH	LEVER ASSY HANDLE LH	1	9.75	
	53190	53190-LAC5-90A	ADJUSTER HANDLE/ Gas strut	ADJUSTER HANDLE/ Gas strut	1	29.25	
	53191	53191-LAC5-900	COLLAR ADJUSTER	COLLAR ADJUSTER	1	1.33	
	53196	53196-LAC5-900	BLACK GRIP	BLACK GRIP	1	3.21	
	53209	53209-LAC5-900	COVER DUST	COVER DUST	1	11.70	
	53406	53406-LAC5-900	BOLT HANDLE SET	BOLT HANDLE SET	1	3.25	
**	64301	64301-ACF5-E00	COVER FRONT	COVER FRONT	1	42.25	
**	64303	64303-ACF5-E00	COVER FRONT UP	COVER FRONT UP	1	17.55	
**	81131	81131-ABA5-E00	LEG SHIELD-MAXER/ AGILITY- BLACK	LEG SHIELD-MAXER/ AGILITY- BLACK	1	50.00	
**	81141	81141-ABA5-E00	LEG SHIELD LOW	LEG SHIELD LOW	1	19.10	
**	88110	88110-LBE1-800	MIRROR ASSY R BACK	MIRROR ASSY R BACK	1	22.75	
**	88120	88120-LBE1-800	MIRROR ASSY L ALT 88120-LAC7-910-	MIRROR ASSY L ALT 88120-LAC7-910-	1	22.75	
	90164	90164-MDR4-910	SCREW SPECIAL 6MM	SCREW SPECIAL 6MM	1	3.25	
	90301	90301-4C73-004	NUT U 6MM **473-0040 C.2005.03.01	NUT U 6MM **473-0040 C.2005.03.01	2	0.25	
	90302-KEC8	90302-KEC8-910	BOLT PAN 5*9	BOLT PAN 5*9	2	3.25	

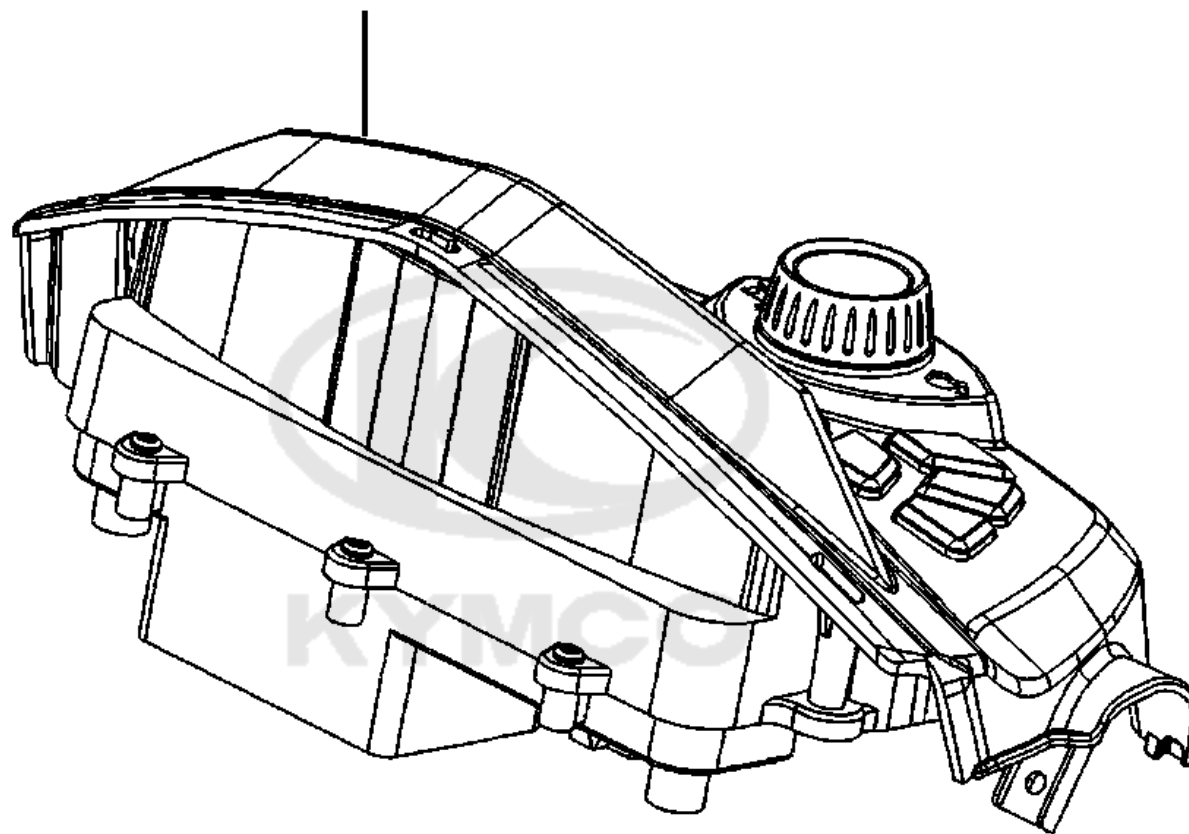


Sales mark	Ref no	Part no	Description	Reg description	Regd no	Ref Price	F01
	90302-LAC5	90302-SDA4-004	NUT SPRING 4MM **SA4-0040	NUT SPRING 4MM **SA4-0040	1	0.26	
	90309	90309-LDB4-90A	NUT U FLANGE 8MM	NUT U FLANGE 8MM	1	3.25	
	90652	90652-LFB5-900	CLIP MUDGUARD	CLIP MUDGUARD	4	3.25	
	93500	93500-04010-0HG	SCREW PAN 4*10	SCREW PAN 4*10	1	3.25	
	93903-34380	93903-34380-G	SCREW TAPPING 4x12	SCREW TAPPING 4x12	1	3.25	
	93903-35320	93903-35320	SCREW TAPPING 5*16	SCREW TAPPING 5*16	1	0.25	
	93903-GFY6	93903-GFY6-910	BOLT-WASH 5*12	BOLT-WASH 5*12	3	3.25	
	94050	94050-08080-G	NUT FLANGE 8MM (C)	NUT FLANGE 8MM (C)	1	0.49	
	95701	95701-06020-08G	BOLT FLANGE 6*20	BOLT FLANGE 6*20	3	0.50	
	95801-08035	95801-08035-08G	BOLT FLANGE 8*35	BOLT FLANGE 8*35	1	3.25	
	95801-08045	95801-08045-08G	BOLT FLANGE 8*45	BOLT FLANGE 8*45	1	0.49	

F02

METER ASSY SPEED

37200



Sales mark	Ref no	Part no	Description	Reg description	Regd no	Ref Price	F02
------------	--------	---------	-------------	-----------------	---------	-----------	------------

37200

37200-ACF5-E20

METER ASSY SPEED

METER ASSY SPEED

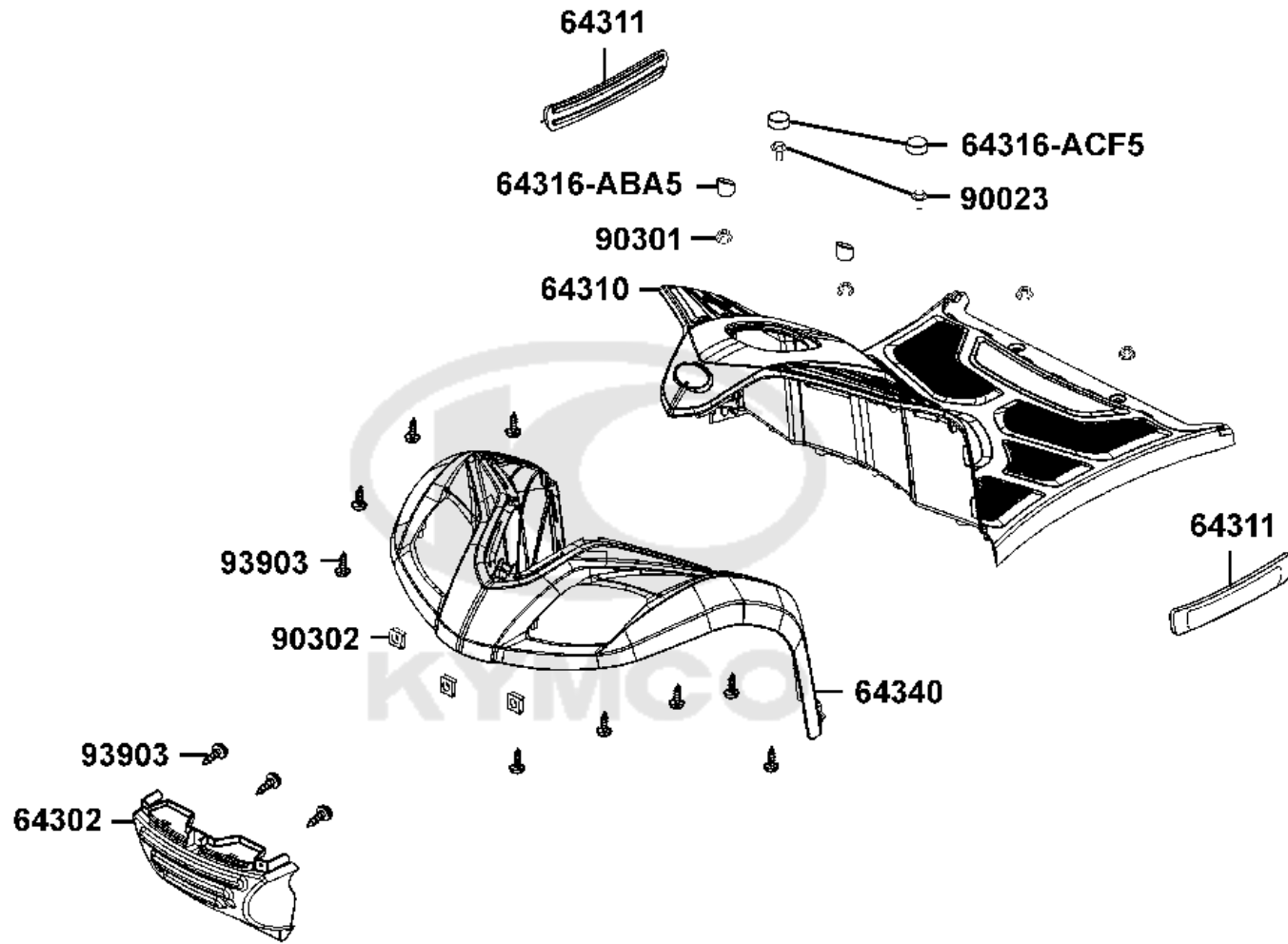
1

122.20

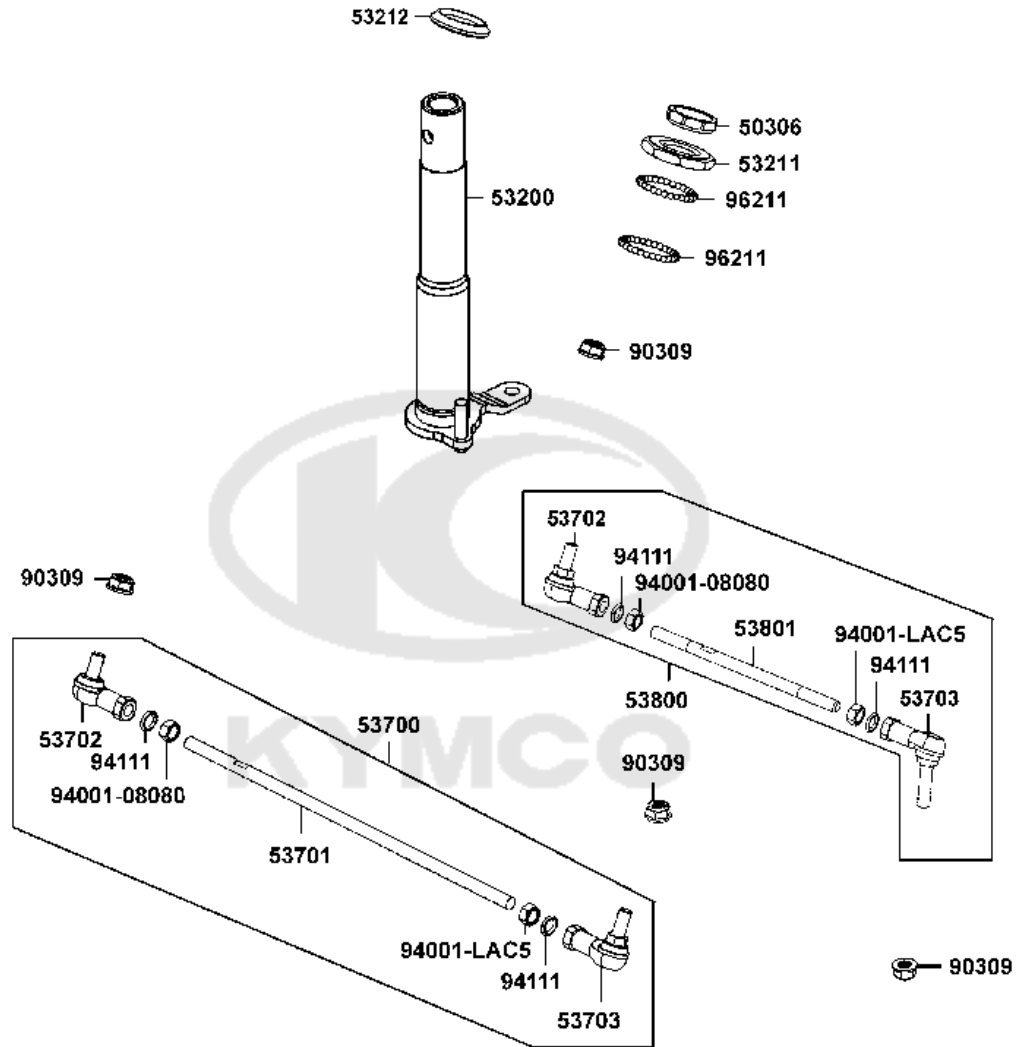


F03

Floor



Sales mark	Ref no	Part no	Description	Reg description	Regd no	Ref Price	F03
**	64302	64302-ACF5-E00	FRONT PLASTIC BUMPER- AGILITY-	FRONT PLASTIC BUMPER- AGILITY-	1	10.40	
**	64310	64310-ACF5-E00	FLOOR PANEL- - BLACK MATT	FLOOR PANEL- - BLACK MATT (MIDDLE	1	65.00	
	64311	64311-ABA5-E00	MOLD A	MOLD A	2	3.25	
**	64316-ABA5	64316-ABA5-E00	PLUG FLOOR	PLUG FLOOR	2	3.25	
**	64316-ACF5	64316-ACF5-E00	PLUG FLOOR	PLUG FLOOR	2	3.25	
**	64340	64340-ACF5-E00	FR BODY PANEL-FROM UK00926	FR BODY PANEL-FROM UK00926	1	52.00	
	90023	90023-LAC5-001	BOLT SEAT LOCK 6X13.5	BOLT SEAT LOCK 6X13.5	2	3.25	
	90301	90301-LAC5-671	NUT FLANGE 6MM	NUT FLANGE 6MM	6	3.25	
	90302	90302-SDA4-004	NUT SPRING 4MM **SA4-0040	NUT SPRING 4MM **SA4-0040	1	0.26	
	93903	93903-34380-G	SCREW TAPPING 4x12	SCREW TAPPING 4x12	12	3.25	

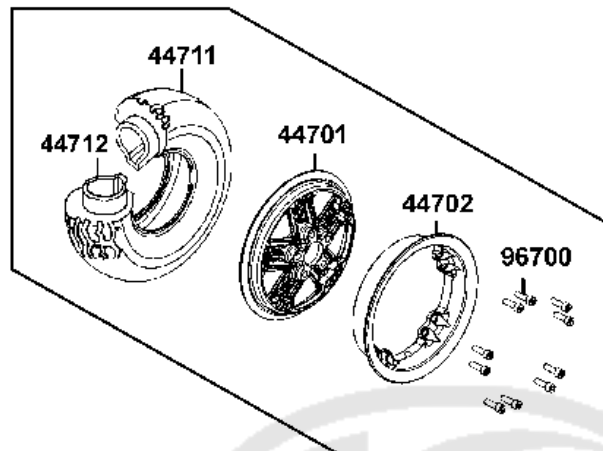


Sales mark	Ref no	Part no	Description	Reg description	Regd no	Ref Price	F04
	50306	50306-LDB4-001	NUT STRG STEM LOCK	NUT STRG STEM LOCK	1	5.20	
	53200	53200-LDB4-900	STEM COMP STRG	STEM COMP STRG	1	16.25	
	53211	53211-LDB4-940	USE 53211-GFY6-940	USE 53211-GFY6-940	1	3.90	
	53212	53212-LDB4-004	ORDER 53212-GHC8-004	ORDER 53212-GHC8-004	1	3.25	
	53700	53700-ACF5-E20	ROD ASSY STEERING	ROD ASSY STEERING	1	13.00	
	53701	53701-ACF5-E20	ROD SWING ARM	ROD SWING ARM	1	13.00	
	53702	53702-ACF5-E20	BALL RH JOINT	BALL RH JOINT	2	16.25	
	53703	53703-ACF5-E20	BALL LH JOINT	BALL LH JOINT	2		
	53800	53800-ACF5-E20	ROD ASSY STEERING	ROD ASSY STEERING	1	13.00	
	53801	53801-ACF5-E20	ROD STEERING	ROD STEERING	1	16.25	
	90309	90309-LDB4-90A	NUT U FLANGE 8MM	NUT U FLANGE 8MM	3	3.25	
	94001-08080	94001-08080-0SG	NUT HEX 8MM (C)	NUT HEX 8MM (C)	2	0.49	
	94001-LAC5	94001-LAC5-900	NUT HEX 8MM L	NUT HEX 8MM L	2	0.55	
	94111	94111-LAC5-700	WASHER SPG LH 8MM	WASHER SPG LH 8MM	2		
	96211	96211-05000	BALL BEARING PACK OF 100	BALL BEARING PACK OF 100	55	3.25	

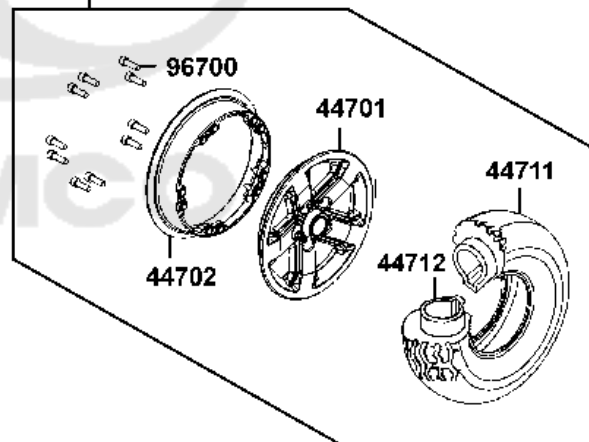
F05

Front Wheel

90443



44600



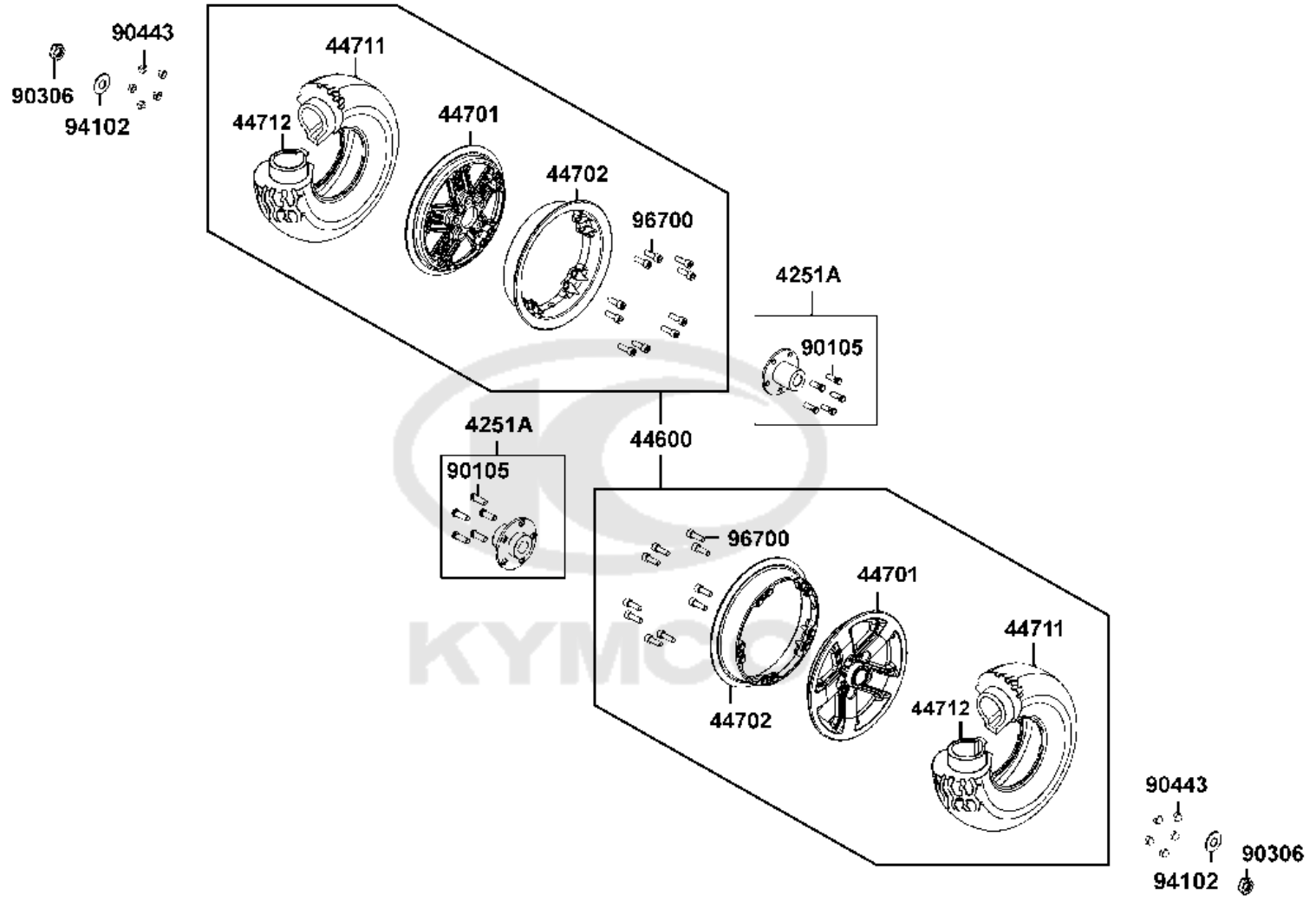
90443

Sales mark	Ref no	Part no	Description	Reg description	Regd no	Ref Price	F05
	44600	44600-ACF5-E20	WHEEL ASSY	WHEEL ASSY	2	70.00	
	44701	44701-ABA5-E20	RIM EXTR	RIM EXTR	2	24.70	
	44702	44702-ABA5-E20	RIM INTR	RIM INTR	1	19.50	
	44711	44711-ACF5-E20	TIRE FR 80/65-8 BLACK PNEUMATIC	TIRE FR 80/65-8 BLACK PNEUMATIC	2	23.40	
	44712	44712-ACF5-E20	INNER TUBE 80/65-8	INNER TUBE 80/65-8	2	7.80	
	90443	90443-ABA5-E20	NUT CAP FLANGE	NUT CAP FLANGE	10	0.89	
	96700	96700-08025-08G	SOCKET BOLT 8*25	SOCKET BOLT 8*25	20	0.65	

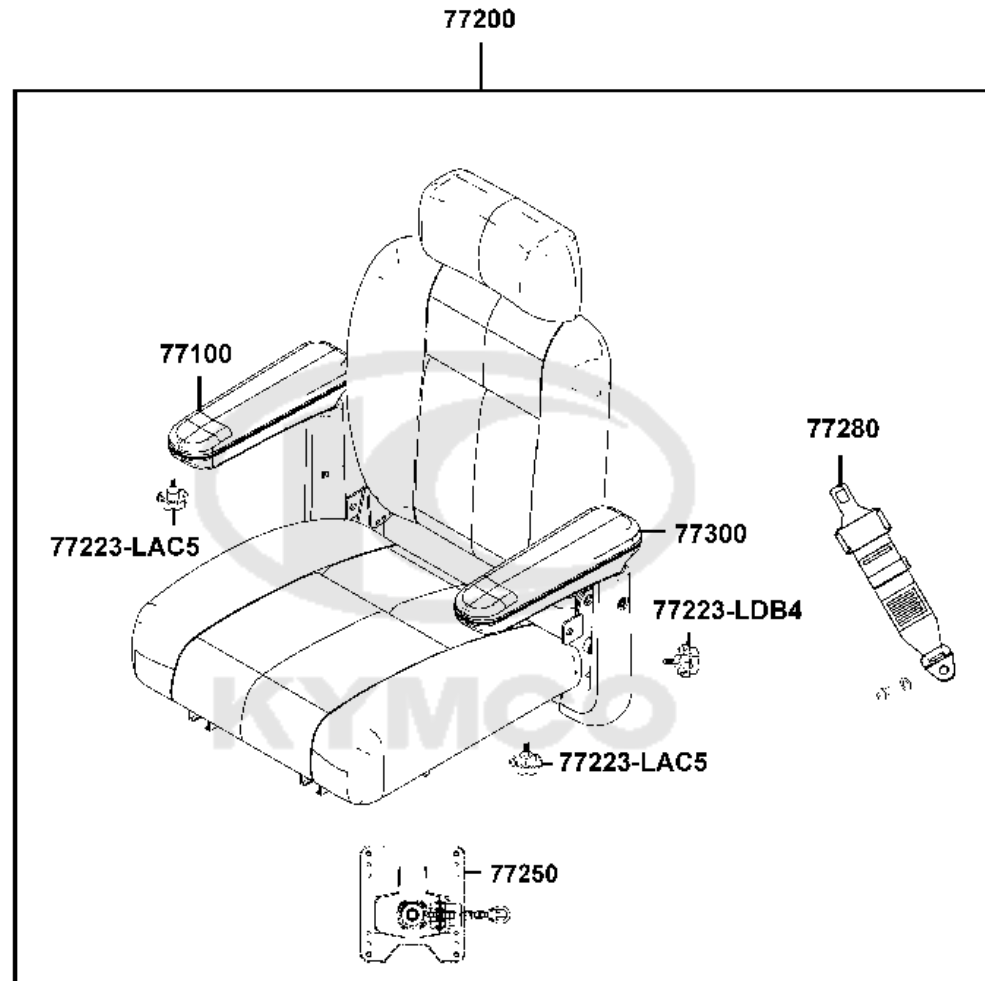



F06

Rear Wheel



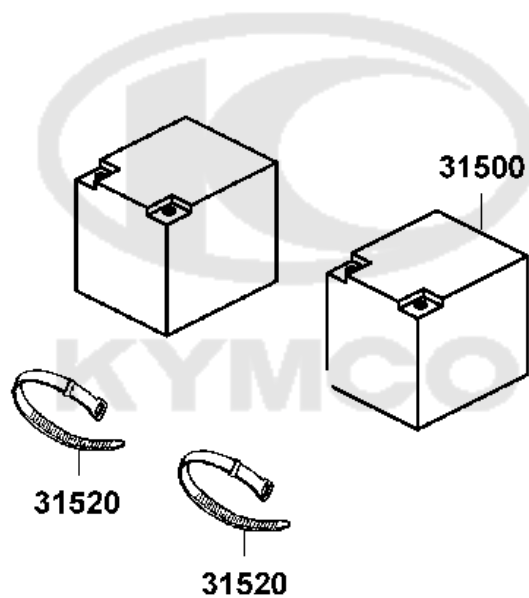
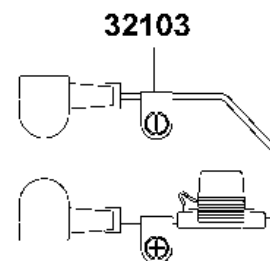
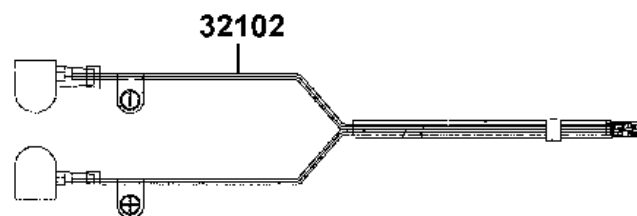
Sales mark	Ref no	Part no	Description	Reg description	Regd no	Ref Price	F06
	4251A	4251A-ACF5-E20	HUB ASSY RR	HUB ASSY RR	2	14.95	
	44600	44600-ACF5-E20	WHEEL ASSY	WHEEL ASSY	2	70.00	
	44701	44701-ABA5-E20	RIM EXTR	RIM EXTR	2	24.70	
	44702	44702-ABA5-E20	RIM INTR	RIM INTR	2	19.50	
	44711	44711-ACF5-E20	TIRE FR 80/65-8 BLACK PNEUMATIC	TIRE FR 80/65-8 BLACK PNEUMATIC	2	23.40	
	44712	44712-ACF5-E20	INNER TUBE 80/65-8	INNER TUBE 80/65-8	2	7.80	
	90105	90105-ABA5-E20	BOLT HUB 8X25	BOLT HUB 8X25	10	3.25	
	90306	90306-LDB4-90A	NUT U FLANGE 10MM	NUT U FLANGE 10MM	2	3.25	
	90443	90443-ABA5-E20	NUT CAP FLANGE	NUT CAP FLANGE	10	0.89	
	94102	94102-12800-G	WASHER PLAIN 12MM	WASHER PLAIN 12MM	2	3.25	
	96700	96700-08025-08G	SOCKET BOLT 8*25	SOCKET BOLT 8*25	20	0.65	



Sales mark	Ref no	Part no	Description	Reg description	Regd no	Ref Price	F07
	77100	77100-LAC5-900	R/H USE 77100-LDB4-700	R/H USE 77100-LDB4-700	1	31.20	
**	77200	77200-ACF5-E00	SEAT ASSY-MIDI XLS/AGILITY- BLACK	SEAT ASSY-MIDI XLS/AGILITY- BLACK	1	214.50	
	77223-LAC5	77223-LAC5-305	BOLT LOCK ARM REST	BOLT LOCK ARM REST	2	3.25	
	77223-LDB4	77223-LDB4-305	BOLT LOCK ARM REST	BOLT LOCK ARM REST	1	1.19	
	77250	77250-LAC5-700	BASE ASSY SEAT	BASE ASSY SEAT	1	55.25	
	77280	77280-LAC5-700	SEAT BELT	SEAT BELT	1	22.80	
	77300	77300-LAC5-900	L/H USE 77300-LDB4-700	L/H USE 77300-LDB4-700	1	31.20	
							

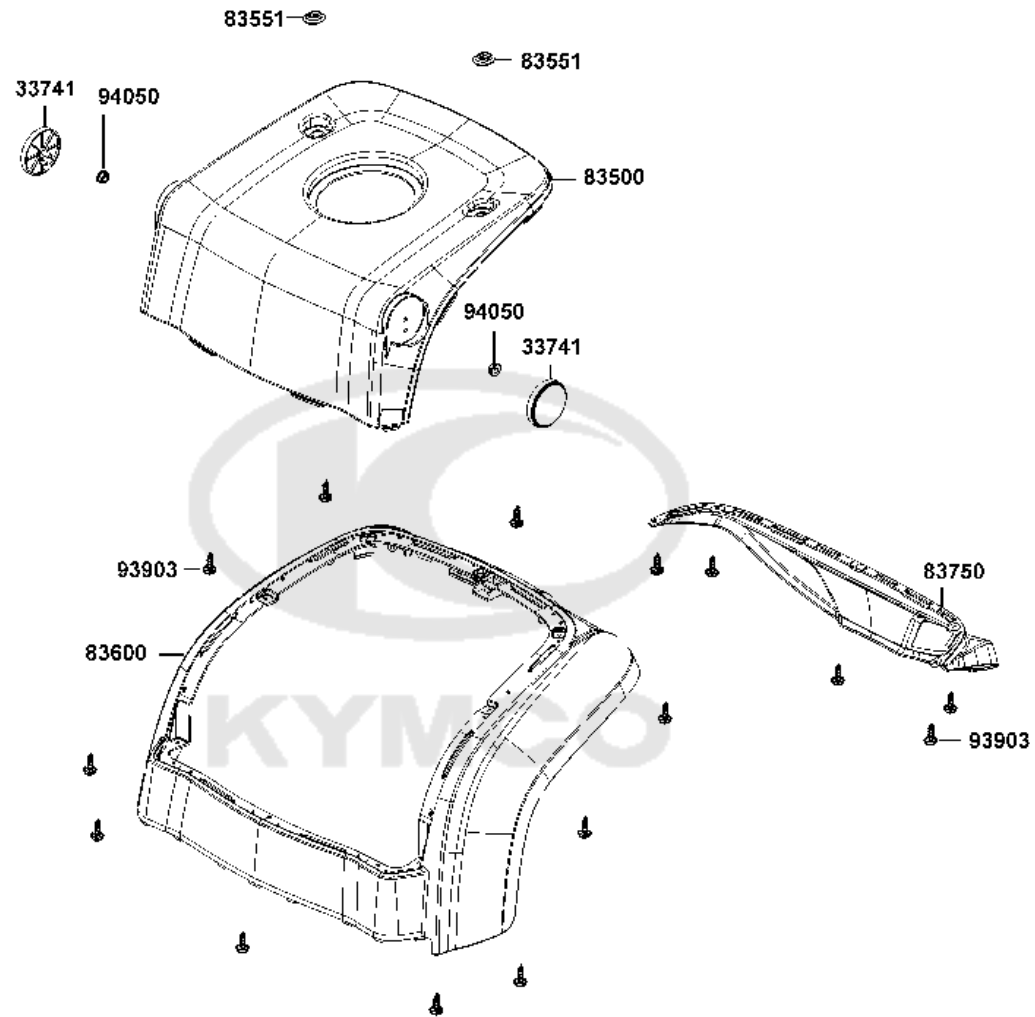
F08


Battery



Sales mark	Ref no	Part no	Description	Reg description	Regd no	Ref Price	F08
	31500	31500-LDB4-900	BATTERY 12V 50AH	BATTERY 12V 50AH	2	191.99	
	31500	31500-LDB4-90A	BATTERY 12V 50AH (YUASA)	BATTERY 12V 50AH (YUASA)	2	100.00	
	31520	31520-LAC5-900	BAND B BATTERY	BAND B BATTERY	2	3.25	
	32102	32102-ACF5-E20	CORD SET POWER	CORD SET POWER	1	13.33	
	32102	32102-ACF5-E21	CORD SET POWER	CORD SET POWER	1		
	32103	32103-ACF5-E20	CONNECT CORD BATTERY	CONNECT CORD BATTERY	1	13.33	
	32103	32103-ACF5-E21	CONNECT CORD BATTERY	CONNECT CORD BATTERY	1		

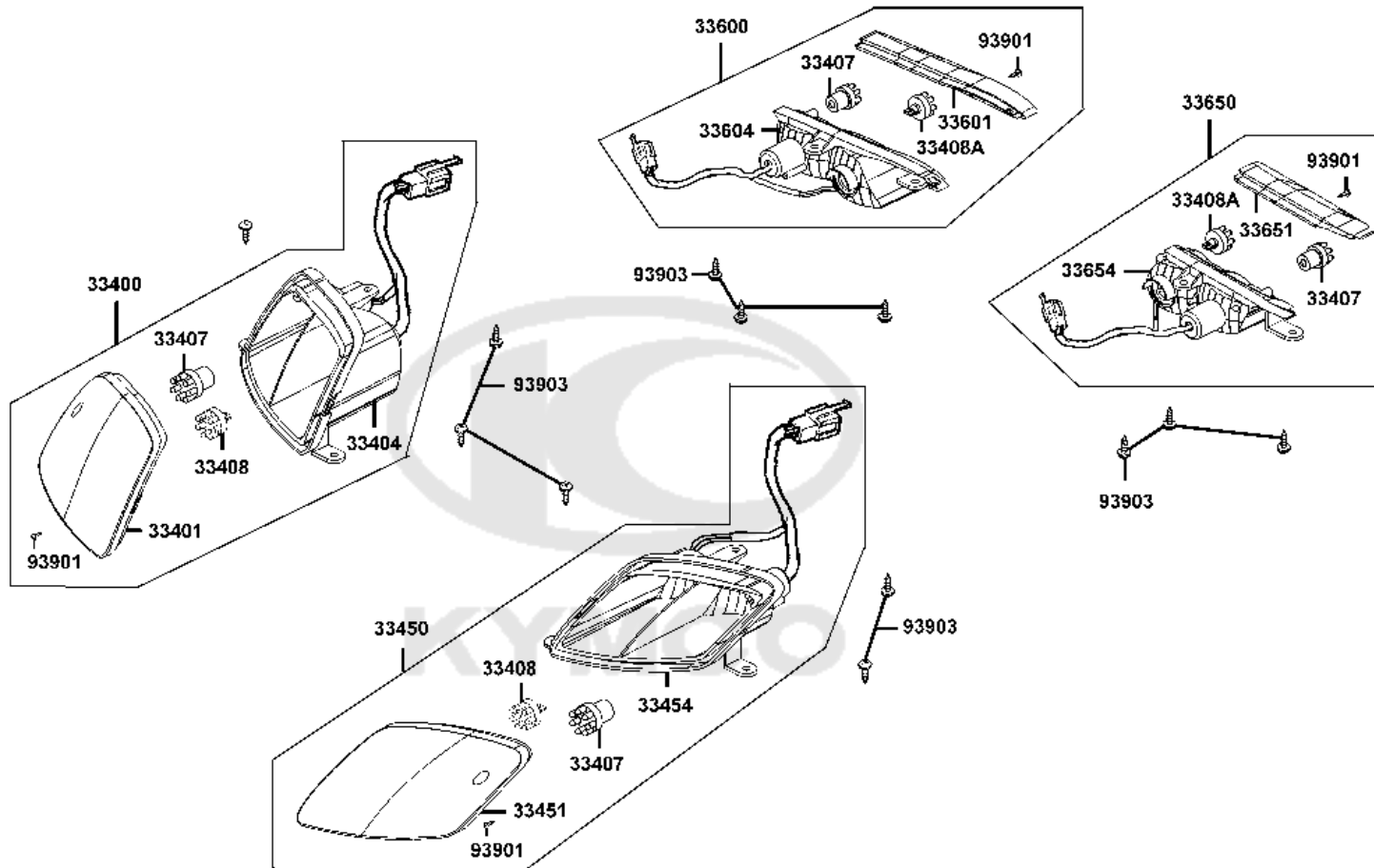




Sales mark	Ref no	Part no	Description	Reg description	Regd no	Ref Price	F09
	33741	33741-GFY6-C30	REFLEX REFLECTOR ORANGE	REFLEX REFLECTOR ORANGE	2	2.08	
**	83500	83500-ACF5-E00	REAR BATTERY COVER- AGILITY-	REAR BATTERY COVER- AGILITY-	1	42.25	
	83551	83551-LBE1-900	GROMMET ALT 83551-KKAK-900	GROMMET ALT 83551-KKAK-900	2	3.25	
**	83600	83600-ACF5-E00	REAR BODY PANEL- AGILITY -	REAR BODY PANEL- AGILITY - CHERRY	1	84.50	
**	83750	83750-ACF5-E00	COVER RR TIRE	COVER RR TIRE	1	4.55	
	93903	93903-34380-G	SCREW TAPPING 4x12	SCREW TAPPING 4x12	158	3.25	
	94050	94050-06080-G	NUT FLANGE 6MM	NUT FLANGE 6MM	2	0.49	
							

F10

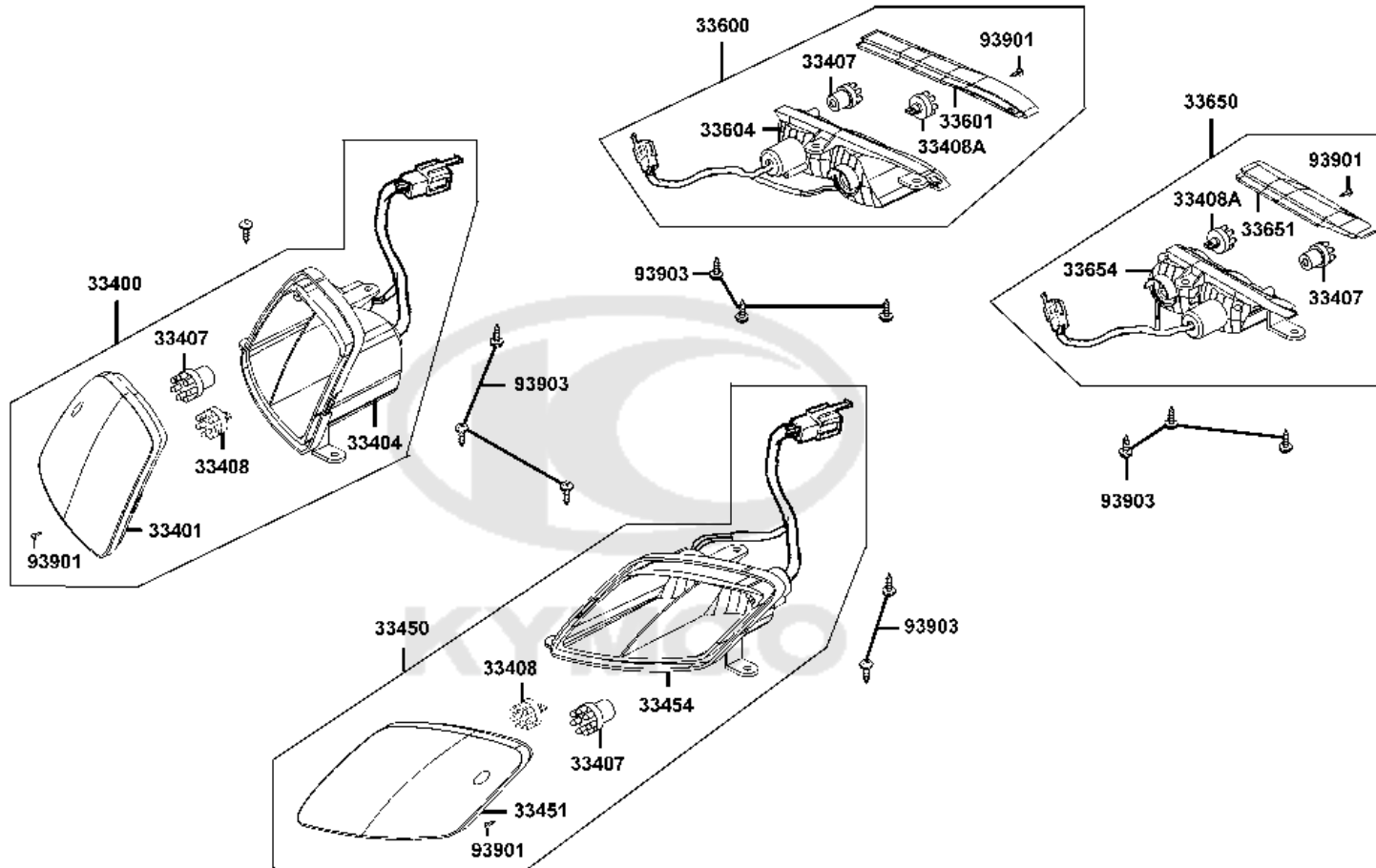
Winker Assy RH



Sales mark	Ref no	Part no	Description	Reg description	Regd no	Ref Price	F10
	33400	33400-AAH6-E20	WINKER ASSY RH FR (LED TYPE)	WINKER ASSY RH FR (LED TYPE)	1	26.00	
	33400	33400-ACF5-E20	WINKER ASSY R FR (LED) Tinted lens	WINKER ASSY R FR (LED) Tinted lens	1	26.00	
	33401	33401-AAH6-E20	LENS COMP R FR WIN	LENS COMP R FR WIN	1		
	33401	33401-ACF5-E20	LENS COMP R FR WINKER	LENS COMP R FR WINKER	1	7.15	
	33404	33404-LAC5-900	BASE COMP R FR WINKER	BASE COMP R FR WINKER	1	26.00	
	33407	33407-AAH6-E20	LED LAMP, WINKER	LED LAMP, WINKER	4	6.50	
	33408	33408-AAH6-E20	LED LAMP, POSITION	LED LAMP, POSITION	4	6.50	
	33408A	33408-ACF5-E20	LED POSITION	LED POSITION	2	6.50	
	33450	33450-AAH6-E20	WINKER ASSY LH FR (LED TYPE)	WINKER ASSY LH FR (LED TYPE)	1	26.00	
	33450	33450-ACF5-E20	WINKER ASSY L FR (LED) Tinted lens	WINKER ASSY L FR (LED) Tinted lens	1	26.00	
	33451	33451-AAH6-E20	LENS COMP LH MIDI XLS	LENS COMP LH MIDI XLS	1	6.50	
	33451	33451-ACF5-E20	LENS COMP L FR WINKER	LENS COMP L FR WINKER	1	7.15	
	33454	33454-LAC5-900	BASE COMP L FR WINKER	BASE COMP L FR WINKER	1	9.75	
	33600	33600-ACF5-E20	WINKER ASSY RH RR (LED)	WINKER ASSY RH RR (LED)	1	26.00	
	33601	33601-ACF5-900	LENS COMP R RR WINKER	LENS COMP R RR WINKER	1	7.15	
	33604	33604-LAC5-900	BASE COMP R RR WINKER	BASE COMP R RR WINKER	1	9.75	
	33650	33650-ACF5-E20	WINKER ASSY LH RR (LED)	WINKER ASSY LH RR (LED)	1	26.00	
	33651	33651-ACF5-900	LENS COMP L RR WINKER	LENS COMP L RR WINKER	1	7.15	
	33654	33654-LAC5-900	BASE COMP L RR WINKER	BASE COMP L RR WINKER	1	6.50	
	93901	93901-32310	SCREW TAPPING 3*12	SCREW TAPPING 3*12	4	3.25	

F10

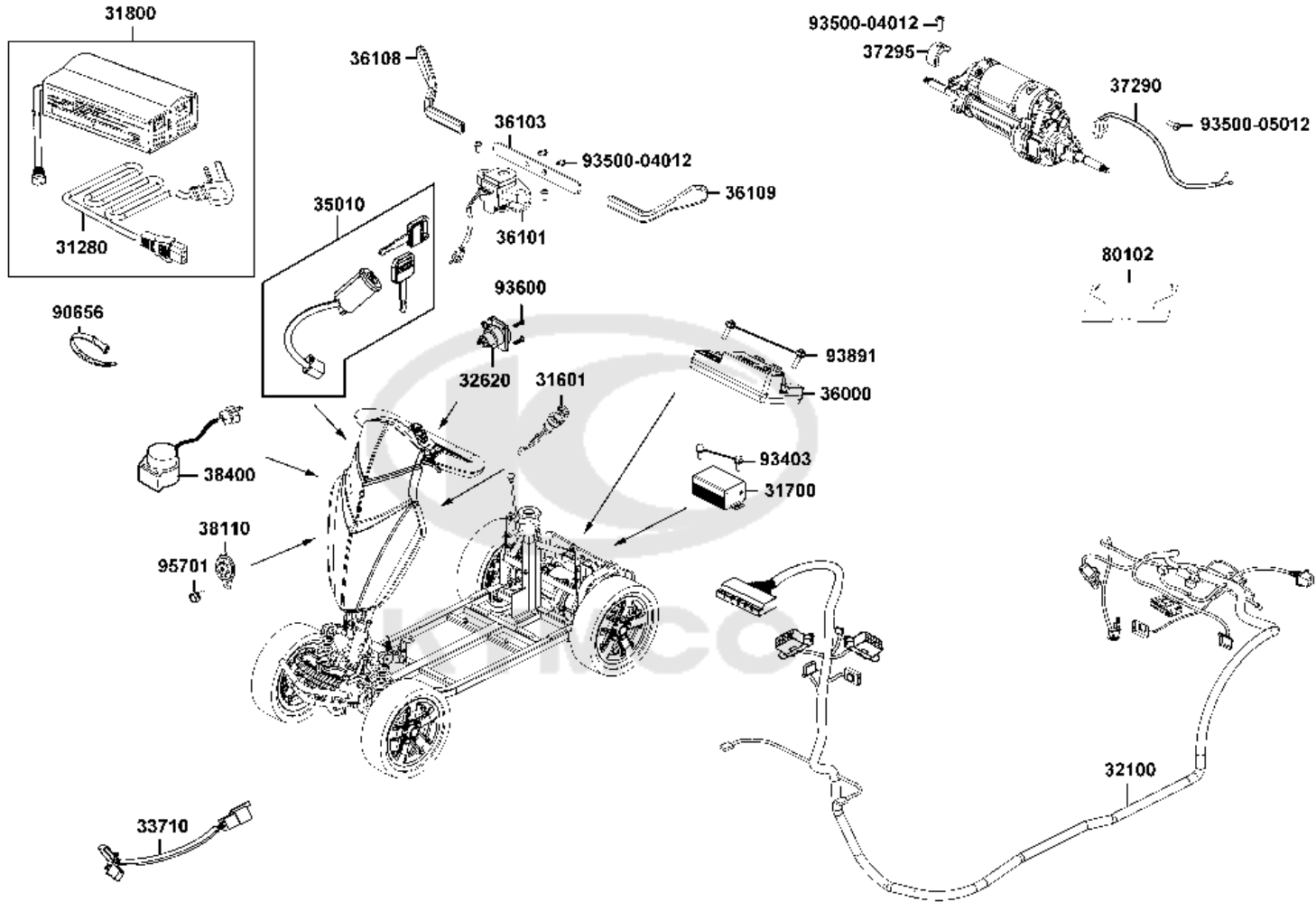
Winker Assy RH



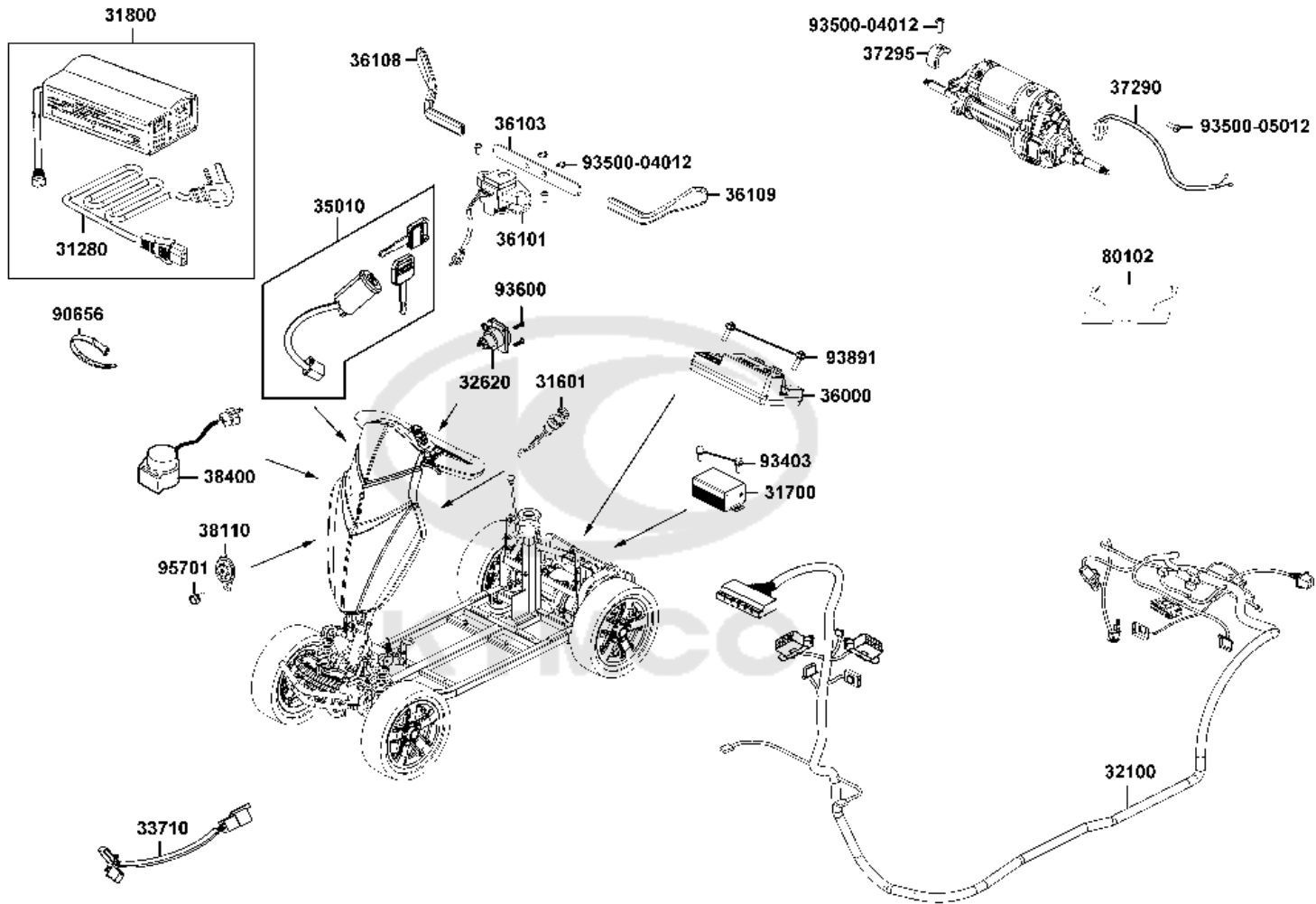
Sales mark	Ref no	Part no	Description	Reg description	Regd no	Ref Price	F10
------------	--------	---------	-------------	-----------------	---------	-----------	------------

93903	93903	93903-34380-G	SCREW TAPPING 4x12	SCREW TAPPING 4x12	12	3.25	
-------	-------	---------------	--------------------	--------------------	----	------	--



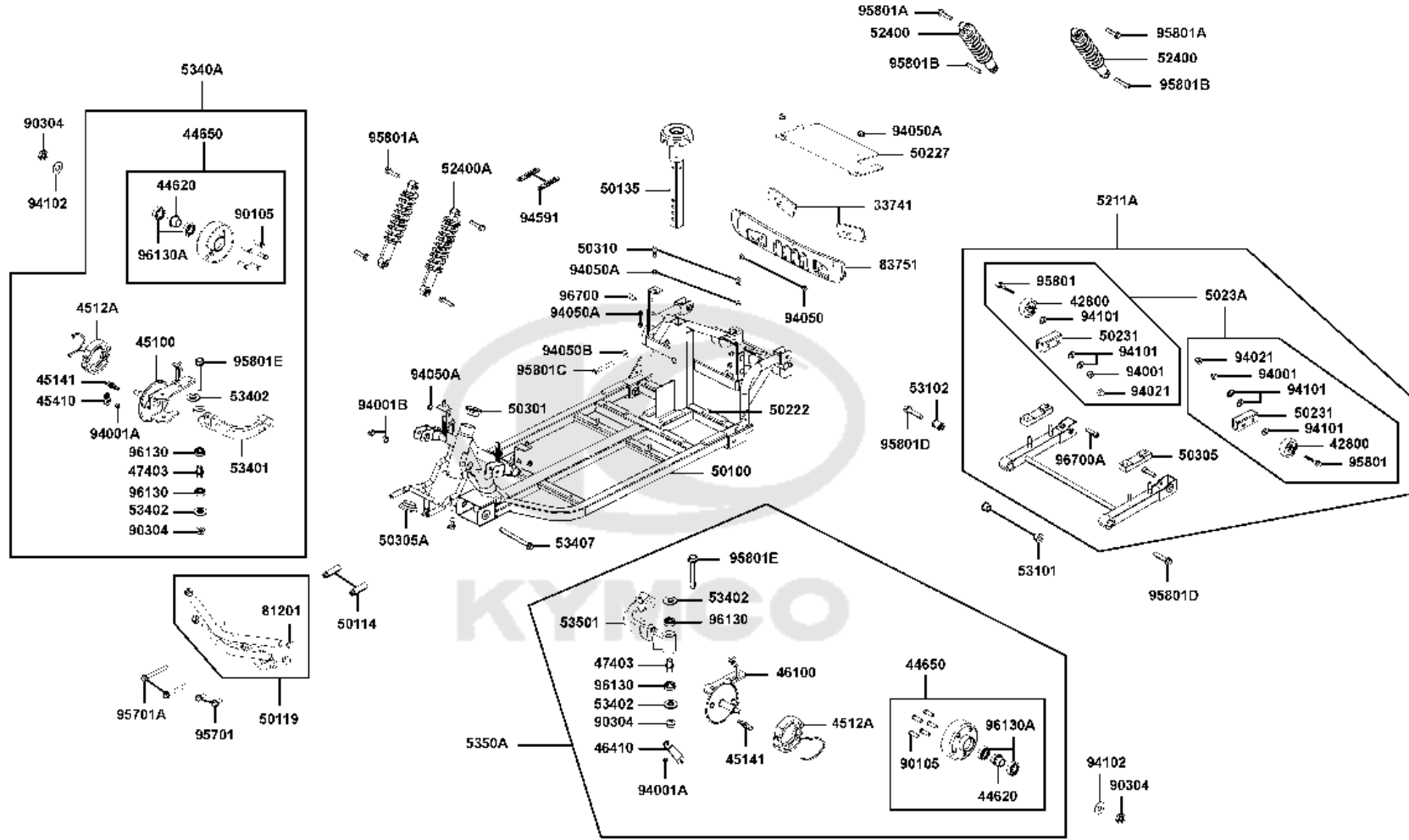


Sales mark	Ref no	Part no	Description	Reg description	Regd no	Ref Price	F11
	31280	31280-LAC5-E20	CORD AC POWER	CORD AC POWER	1	6.50	
	31601	31601-ABA5-E20	SOCKET COMP DC 12V	SOCKET COMP DC 12V	1	11.70	
	31700	31700-ABA5-E20	ASSY DC/DC	ASSY DC/DC	1	176.80	
	31800	31800-LAC5-E21	BATTERY CHARGER ASSY	BATTERY CHARGER ASSY	1	70.00	
	32100	32100-ACF5-E20	HARNESS WIRE MAIN LOOM ALT	HARNESS WIRE MAIN LOOM ALT 32100-	1	70.20	
	32100	32100-ACF5-E21	HARNESS WIRE	HARNESS WIRE	1	70.20	
	32620	32620-LAC5-900	SOCKET CHARGER	SOCKET CHARGER	1	8.45	
	33710	33710-LDB4-900	USE 33710-LAC5-900	USE 33710-LAC5-900	1	16.25	
	35010	35010-LAC5-E00	KEY SET	KEY SET	1	16.25	
	36000	36000-ACF5-E20	ELEC CONTROLLER UNIT ALT 36000-	ELEC CONTROLLER UNIT ALT 36000-	1	200.00	
	36000	36000-ACF5-E21	ELEC CONTROLLER UNIT ALT 36000-	ELEC CONTROLLER UNIT ALT 36000-	1	200.00	
	36101	36101-ABA5-E20	THROTTLE. 5K	THROTTLE. 5K	1	28.60	
	36103	36103-AAH6-E20	STAY A SPEED CONTROL	STAY A SPEED CONTROL	1	3.25	
	36108	36108-ABA5-E20	LEVER RH THROTTLE	LEVER RH THROTTLE	1	6.50	
	36109	36109-ABA5-E20	LEVER LH THROTTLE	LEVER LH THROTTLE	1	6.50	
	37290	37290-LLB1-E00	SENSOR WHEEL RPM	SENSOR WHEEL RPM	1	6.09	
	37295	37295-LAC5-900	MAGNET COMP SPEED	MAGNET COMP SPEED	1	3.25	
	38110	38110-LBA8-E0B	HORN COMP	HORN COMP	1	5.28	
	38400	38400-ABA5-E20	BUZZER	BUZZER	1	7.80	
	80102	80102-LBE1-920	PLATE INNER FENDER SPLASH	PLATE INNER FENDER SPLASH	1	9.10	

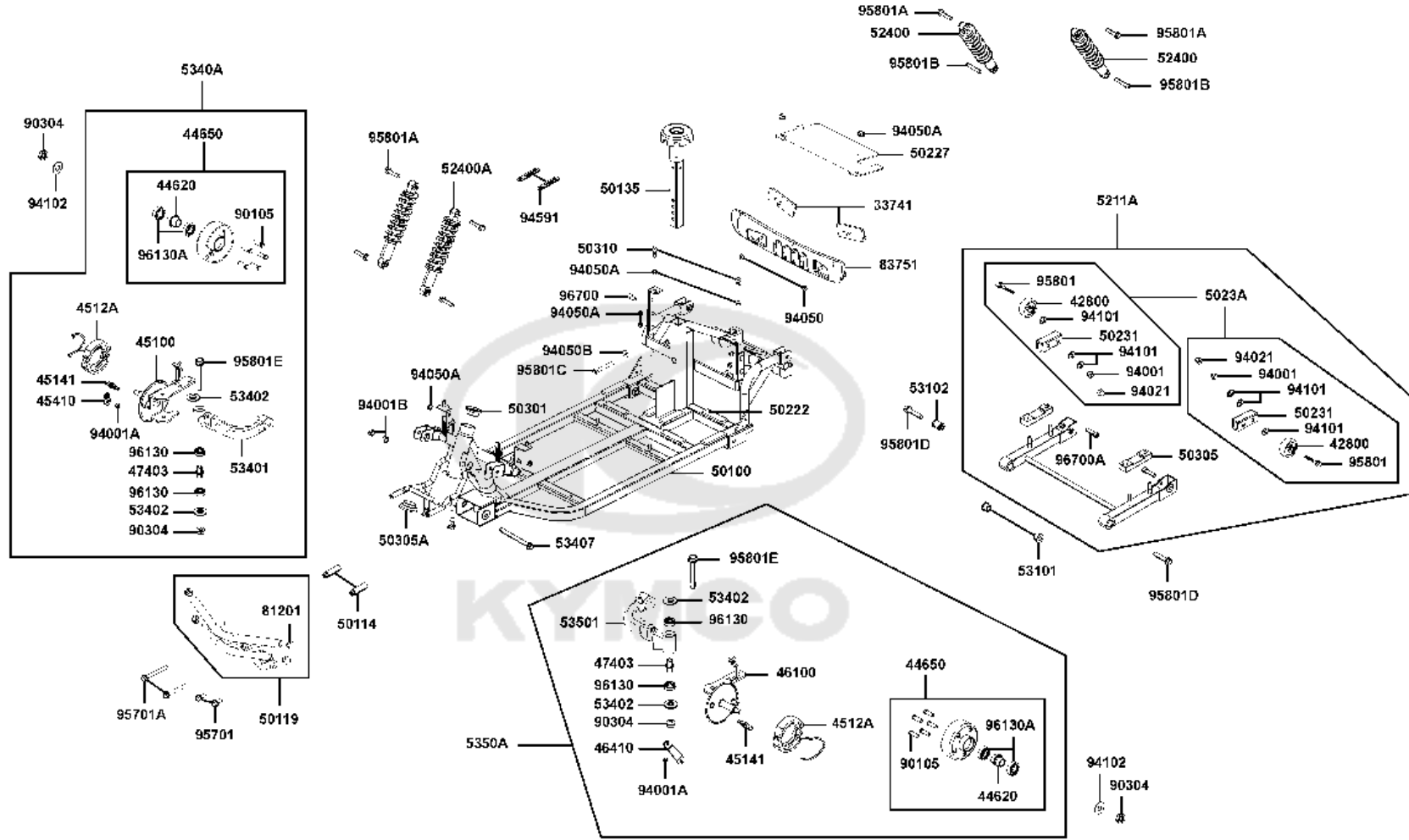


Sales mark	Ref no	Part no	Description	Reg description	Regd no	Ref Price	F11
**	90656	90656-KUDU-900	BAND HARNESS WIRE **KUDU-900	BAND HARNESS WIRE **KUDU-900	1	0.85	
	93403	93403-05012-08G	BOLT-WASH 5*12	BOLT-WASH 5*12	1	3.25	
	93500-04012	93500-04012-0HG	SCREW PAN 4*12	SCREW PAN 4*12	5	3.25	
	93500-05012	93500-05012-0HG	SCREW PAN 5*12	SCREW PAN 5*12	1	0.65	
	93600	93600-02008-0HG	SCREW FLAT 2.5*8	SCREW FLAT 2.5*8	2	3.25	
	93891	93891-05030-08G	SCREW WASHER 5*3	SCREW WASHER 5*3	2	3.25	
	95701	95701-06012-08G	BOLT FLANGE 6*12	BOLT FLANGE 6*12	1	0.47	

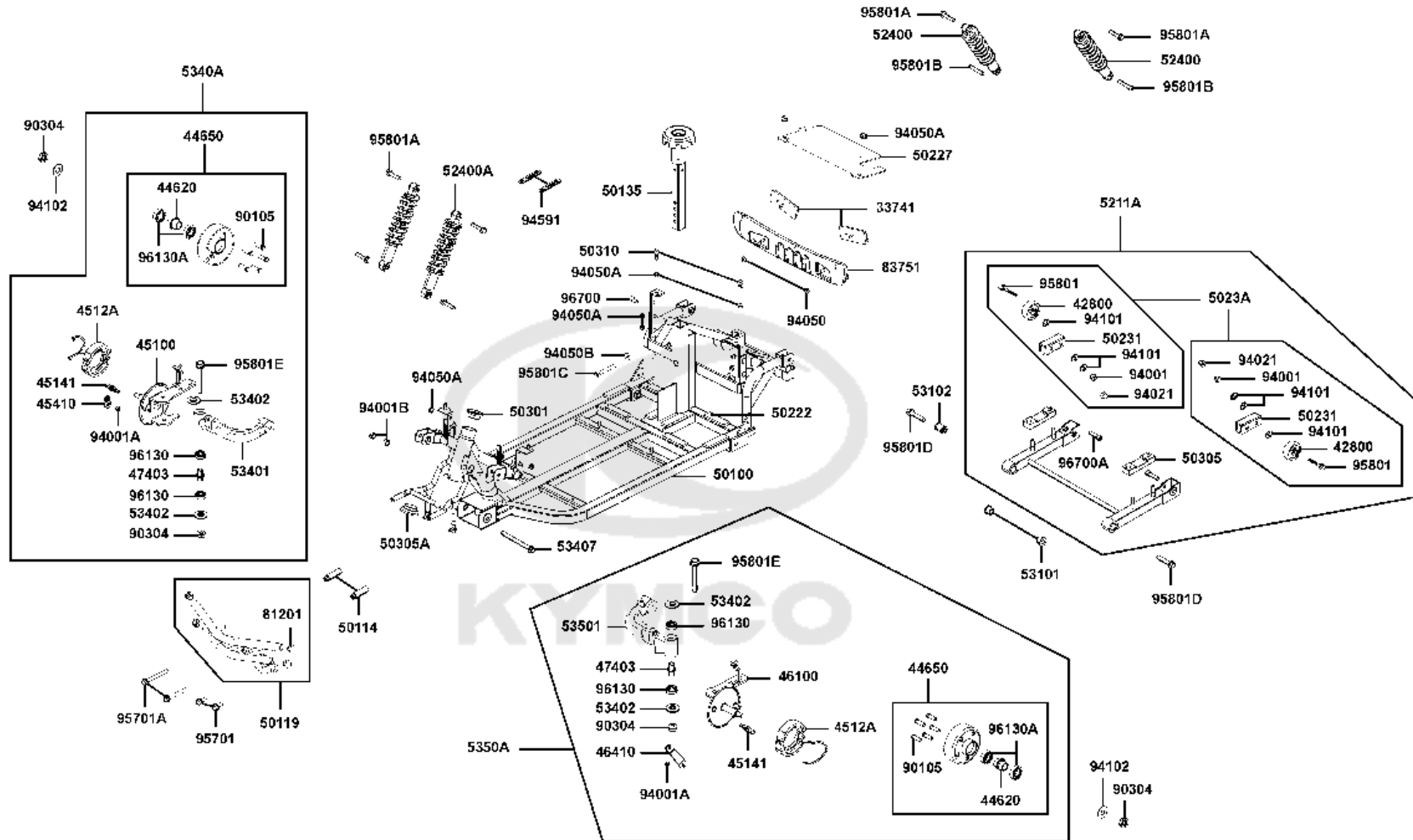




Sales mark	Ref no	Part no	Description	Reg description	Regd no	Ref Price	F12
	33741	33741-LDB4-900	REFLEX RELECTOR ALT 33741-KEBE-	REFLEX RELECTOR ALT 33741-KEBE-900	2	2.83	
	42800	42800-LAC5-900	ANTI-TIP WHEEL	ANTI-TIP WHEEL	2	3.25	
	44620	44620-LAC5-900	DIST COLLAR	DIST COLLAR	2	3.25	
	44650	44650-ACF5-E20	HUB ASSY FR	HUB ASSY FR	2	22.75	
	45100	45100-LDB4-900	PANEL COMP FR R/H	PANEL COMP FR R/H	1	13.00	
	4512A	4512A-LAC5-900	Brake shoe	Brake shoe	2	6.04	
	45141	45141-LAC5-900	CAM FR BRK R/H	CAM FR BRK R/H	2	13.00	
	45410	45410-LAC5-900	ARM FR BRK R/H	ARM FR BRK R/H	1	13.00	
	46100	46100-LDB4-900	PANEL COMP FR L/H	PANEL COMP FR L/H	1	13.00	
	46410	46410-LAC5-900	ARM FR BRAKE L/H	ARM FR BRAKE L/H	1	9.75	
	47403	47403-LBB7-E00	COLLAR STRG SHAFT	COLLAR STRG SHAFT	2	3.25	
	50100	50100-ACF5-E20	BODY COMP FRAME	BODY COMP FRAME	1	243.75	
	50114	50114-LBE1-920	BRKT L RR FORK	BRKT L RR FORK	2	6.50	
	50119	50119-ACF5-E20	PIPE FR GRIP	PIPE FR GRIP	1	20.80	
	50135	50135-LDB4-900	PIPE B SEAT SET	PIPE B SEAT SET	1	18.20	
	50222	50222-LAC5-900	RUBBER BATTERY SET	RUBBER BATTERY SET	8	3.25	
	50227	50227-ACF5-E20	STAY ECU	STAY ECU	1	9.75	
	50231	50231-LDB4-900	BRKT RH ANTI-TIP WHEEL	BRKT RH ANTI-TIP WHEEL	2	7.80	
	5023A	5023A-LDB4-900	ANTI-TIP WHEEL RH	ANTI-TIP WHEEL RH	2	9.10	
	50301	50301-LDB4-001	RACE UP STRG BALL	RACE UP STRG BALL	1	3.25	



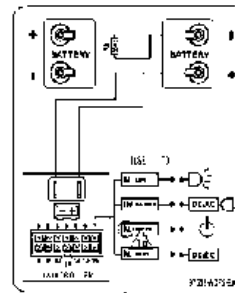
Sales mark	Ref no	Part no	Description	Reg description	Regd no	Ref Price	F12
	50305	50305-LAC5-900	RUBBER MOTOR	RUBBER MOTOR	2	4.55	
	50305A	50305-LDB4-004	RACE UNDER STRG BALL	RACE UNDER STRG BALL	1	3.25	
	50310	50310-LAC5-900	BOLT LOCK PIN	BOLT LOCK PIN	2	3.25	
	5211A	5211A-ACF5-E20	REAR FORK ASSY	REAR FORK ASSY	1	55.25	
	52400	52400-LBE1-900	CUSHION ASSY RR **(0) C.2005.09.21	CUSHION ASSY RR **(0) C.2005.09.21	2	27.30	
	52400A	52400-LDB4-900	CUSHION ASSY RR	CUSHION ASSY RR	2	27.30	
	53101	53101-LDB4-900	COLLAR REAR FORK	COLLAR REAR FORK	2	3.25	
	53102	53102-LDB4-900	COLLAR REAR FORK	COLLAR REAR FORK	1	3.25	
	53401	53401-ACF5-E20	ARM COMP R SWING	ARM COMP R SWING	1	24.05	
	53402	53402-LBB7-E00	WASHER	WASHER	4	3.25	
	53407	53407-LDB4-900	BOLT FLANGE 10X100	BOLT FLANGE 10X100	1	3.25	
	5340A	5340A-ACF5-E20	ARM ASSY R SWING	ARM ASSY R SWING	1	53.77	
	53501	53501-ACF5-E20	ARM COMP L SWING	ARM COMP L SWING	1	53.77	
	5350A	5350A-ACF5-E20	ARM ASSY L SWING	ARM ASSY L SWING	1	53.77	
	81201	81201-ABA5-E20	CAP RR GRIP END	CAP RR GRIP END	4	5.00	
**	83751	83751-LAC5-900	BUMPER RR	BUMPER RR	1	19.50	
	90105	90105-ABA5-E20	BOLT HUB 8X25	BOLT HUB 8X25	10	3.25	
	90304	90304-LDB4-90A	NUT U FLANGE 10MM	NUT U FLANGE 10MM	4	3.25	
	94001	94001-06060-0SG	NUT HEX 6MM	NUT HEX 6MM	2	3.25	
	94001A	94001-06070-0SG	NUT HEX 6MM	NUT HEX 6MM	2		



Sales mark	Ref no	Part no	Description	Reg description	Regd no	Ref Price	F12
	94001B	94001-10080-0SG	NUT HEX 10MM	NUT HEX 10MM	2	3.25	
	94021	94021-06060-0SG	NUT HEX CAP 6MM	NUT HEX CAP 6MM	2	3.25	
	94050	94050-05080-G	NUT FLANGE 5MM(Cr3+) ALT 94050-	NUT FLANGE 5MM(Cr3+) ALT 94050-05080	2		
	94050A	94050-06080-G	NUT FLANGE 6MM	NUT FLANGE 6MM	7	0.49	
	94050B	94050-08060-G	NUT FLANGE 8MM	NUT FLANGE 8MM	1	3.25	
	94101	94101-06800-G	WASHER PLAN 6MM	WASHER PLAN 6MM	6	0.12	
	94102	94102-10800-G	WASHER PLAIN 10MM	WASHER PLAIN 10MM	2		
	94591	94591-27000	CLIP 2*70	CLIP 2*70	2	0.41	
	95701	95701-06012-08G	BOLT FLANGE 6*12	BOLT FLANGE 6*12	2	0.47	
	95701A	95701-06055-08G	BOLT FLANGE 6*55	BOLT FLANGE 6*55	2	0.49	
	95801	95801-06055-08G	BOLT FLANGE 6*55	BOLT FLANGE 6*55	2	3.25	
	95801A	95801-08035-08G	BOLT FLANGE 8*35	BOLT FLANGE 8*35	6	3.25	
	95801B	95801-08045-08G	BOLT FLANGE 8*45	BOLT FLANGE 8*45	2	0.49	
	95801C	95801-08065-08G	BOLT FLANGE 8*65	BOLT FLANGE 8*65	1		
	95801D	95801-10045-08G	BOLT FLANGE 10*45 (C)	BOLT FLANGE 10*45 (C)	2	1.22	
	95801E	95801-10080-08G	BOLT FLANGE 10X80	BOLT FLANGE 10X80	2	3.25	
	96130	96130-60000-00	BEARING 6000Z	BEARING 6000Z	4	3.25	
	96130A	96130-60020-10	BEARING BALL RADIAL 6002	BEARING BALL RADIAL 6002	2	5.28	
	96700	96700-08015-07G	SCOKET BOLT 8*15	SCOKET BOLT 8*15	1		
	96700A	96700-08030-08G	SOCKET BOLT 8X30	SOCKET BOLT 8X30	2		

F13

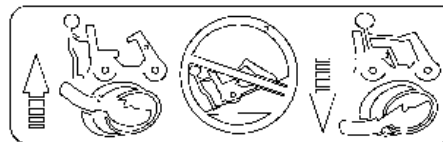
Caution Label



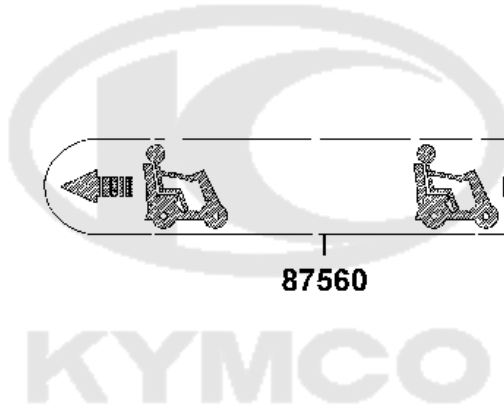
87508



87560



87501



Sales mark	Ref no	Part no	Description	Reg description	Regd no	Ref Price	F13
------------	--------	---------	-------------	-----------------	---------	-----------	------------

**	87501	87501-LED5-910	USE CAUTION	USE CAUTION	1	3.25	
**	87508	87508-ACF5-E00	LABEL BATTERY	LABEL BATTERY	1	3.25	
**	87560	87560-LAC5-900	MARK DRIVE CAUTION	MARK DRIVE CAUTION	1	3.25	



KYMCO

87206-ABA5



86102

KYMCO

87206-LGE5

Sales mark	Ref no	Part no	Description	Reg description	Regd no	Ref Price	F14
------------	--------	---------	-------------	-----------------	---------	-----------	------------

**	86102	86102-LCA5-900	EMB K-LOGO 30MM (PP)	EMB K-LOGO 30MM (PP)	1	3.25	
**	87206-ABA5	87206-ABA5-E00	EMB MARK KYMCO	EMB MARK KYMCO	1	6.50	
**	87206-LGE5	87206-LGE5-E00	EMB MARK KYMCO	EMB MARK KYMCO	1	6.50	



F15

KEY

35111



Sales mark	Ref no	Part no	Description	Reg description	Regd no	Ref Price	F15
------------	--------	---------	-------------	-----------------	---------	-----------	------------

35111	35111-KNBN-920	KEY COMP	KEY COMP	KEY COMP	1	5.85	
-------	----------------	----------	----------	----------	---	------	--



PART NO. INDEX

PART NO.	VERSION	PAGE	PART NO.	VERSION	PAGE	PART NO.	VERSION	PAGE
11000			32000			33600-ACF5-E20	0	F10
1110A-ACF5-E20	3	E01	32100-ACF5-E20	2	F11	33601-ACF5-900	1	F10
11302-LAC5-900	0	E01	32100-ACF5-E21	0	F11	33604-LAC5-900	2	F10
			32102-ACF5-E20	0	F08	33650-ACF5-E20	0	F10
13000			32102-ACF5-E21	0	F08	33651-ACF5-900	1	F10
			32103-ACF5-E20	0	F08	33654-LAC5-900	2	F10
13331-LAC5-900	0	E01	32103-ACF5-E21	0	F08	33710-LDB4-900	2	F11
			32620-LAC5-900	5	F11	33741-GFY6-C30	1	F09
						33741-LDB4-900	2	F12
31000			33000			35000		
31280-LAC5-E20	2	F11				35010-LAC5-E00	2	F11
31300-ACF5-E20	3	E01	33400-AAH6-E20	8	F10	35111-KNBN-920	0	F15
31300-ACF5-E21	1	E01	33400-ACF5-E20	4	F10			
31345-AAH6-305	0	E01	33401-AAH6-E20	0	F10	36000		
31347-AAH6-305	0	E01	33401-ACF5-E20	0	F10	36000-ACF5-E20	6	F11
31350-ACF5-E20	0	E01	33404-LAC5-900	2	F10	36000-ACF5-E21	1	F11
31500-LDB4-900	1	F08	33407-AAH6-E20	4	F10	36101-ABA5-E20	1	F11
31500-LDB4-90A	5	F08	33408-AAH6-E20	6	F10	36103-AAH6-E20	4	F11
31520-LAC5-900	3	F08	33408-ACF5-E20	0	F10	36108-ABA5-E20	2	F11
31601-ABA5-E20	5	F11	33450-AAH6-E20	8	F10	36109-ABA5-E20	2	F11
31700-ABA5-E20	9	F11	33450-ACF5-E20	4	F10			
31800-LAC5-E21	4	F11	33451-AAH6-E20	0	F10			
			33451-ACF5-E20	0	F10			
			33454-LAC5-900	2	F10			

PART NO. INDEX

PART NO.	VERSION	PAGE	PART NO.	VERSION	PAGE	PART NO.	VERSION	PAGE
37000			44702-ABA5-E20	2	F06	50114-LBE1-920	3	F12
			44711-ACF5-E20	0	F05	50119-ACF5-E20	0	F12
			44711-ACF5-E20	0	F06	50135-LDB4-900	4	F12
37200-ACF5-E20	5	F02	44712-ACF5-E20	0	F05	50222-LAC5-900	3	F12
37290-LLB1-E00	4	F11	44712-ACF5-E20	0	F06	50227-ACF5-E20	0	F12
37295-LAC5-900	3	F11				50231-LDB4-900	5	F12
			45000			5023A-LDB4-900	7	F12
38000						50301-LDB4-001	1	F12
			45100-LDB4-900	7	F12	50305-LAC5-900	2	F12
38110-LBA8-E0B	4	F11	4512A-LAC5-900	2	F12	50305-LDB4-004	1	F12
38400-ABA5-E20	1	F11	45141-LAC5-900	2	F12	50306-LDB4-001	1	F04
			45410-LAC5-900	2	F12	50310-LAC5-900	4	F12
42000			45450-ACF5-E20	2	F01	50350-LDB4-900	2	E01
						50351-ACF5-E20	0	E01
4251A-ACF5-E20	0	F06	46000					
42800-LAC5-900	6	F12				52000		
			46100-LDB4-900	7	F12	5211A-ACF5-E20	1	F12
44000			46410-LAC5-900	2	F12	52400-LBE1-900	3	F12
						52400-LDB4-900	3	F12
44600-ACF5-E20	4	F05	47000					
44600-ACF5-E20	4	F06				53000		
44620-LAC5-900	5	F12	47403-LBB7-E00	5	F12	53100-ACF5-E20	5	F01
44650-ACF5-E20	0	F12				53101-ABA5-E20	0	F01
44701-ABA5-E20	2	F05	50000			53101-LDB4-900	2	F12
44701-ABA5-E20	2	F06						
44702-ABA5-E20	2	F05	50100-ACF5-E20	6	F12			

PART NO. INDEX

PART NO.	VERSION	PAGE	PART NO.	VERSION	PAGE	PART NO.	VERSION	PAGE
53102-LDB4-900	2	F12						
53104-LED3-900	4	F01	64000			81000		
53125-LAC5-900	6	F01						
5317B-LED4-900	2	F01	64301-ACF5-E00	0	F01	81131-ABA5-E00	0	F01
53190-LAC5-90A	9	F01	64302-ACF5-E00	0	F03	81141-ABA5-E00	0	F01
53191-LAC5-900	2	F01	64303-ACF5-E00	0	F01	81201-ABA5-E20	1	F12
53196-LAC5-900	4	F01	64310-ACF5-E00	0	F03			
53200-LDB4-900	4	F04	64311-ABA5-E00	0	F03	83000		
53209-LAC5-900	8	F01	64316-ABA5-E00	0	F03			
53211-LDB4-940	1	F04	64316-ACF5-E00	0	F03	83500-ACF5-E00	0	F09
53212-LDB4-004	1	F04	64340-ACF5-E00	0	F03	83551-LBE1-900	1	F09
53401-ACF5-E20	4	F12				83600-ACF5-E00	0	F09
53402-LBB7-E00	5	F12	77000			83750-ACF5-E00	0	F09
53406-LAC5-900	2	F01				83751-LAC5-900	1	F12
53407-LDB4-900	4	F12	77100-LAC5-900	3	F07			
5340A-ACF5-E20	0	F12	77200-ACF5-E00	3	F07	86000		
53501-ACF5-E20	4	F12	77223-LAC5-305	2	F07			
5350A-ACF5-E20	0	F12	77223-LDB4-305	1	F07	86102-LCA5-900	4	F14
53700-ACF5-E20	0	F04	77250-LAC5-700	0	F07			
53701-ACF5-E20	0	F04	77280-LAC5-700	0	F07	87000		
53702-ACF5-E20	0	F04	77300-LAC5-900	3	F07			
53703-ACF5-E20	0	F04				87206-ABA5-E00	1	F14
53800-ACF5-E20	0	F04	80000			87206-LGE5-E00	1	F14
53801-ACF5-E20	0	F04				87501-LED5-910	1	F13
			80102-LBE1-920	3	F11	87508-ACF5-E00	2	F13
						87560-LAC5-900	4	F13

PART NO. INDEX

PART NO.	VERSION	PAGE	PART NO.	VERSION	PAGE	PART NO.	VERSION	PAGE
88000			93000			94050-05080-G	1	F12
88110-LBE1-800	2	F01	93403-05012-08G	0	F11	94050-06080-G	1	F09
88120-LBE1-800	2	F01	93500-04010-0HG	0	F01	94050-06080-G	1	F12
			93500-04012-0HG	0	F11	94050-08060-G	0	F12
90000			93500-05012-0HG	0	F11	94050-08080-G	1	E01
90023-LAC5-001	1	F03	93600-02008-0HG	0	F11	94050-08080-G	1	F01
90105-ABA5-E20	0	F06	93891-04012-06	0	E01	94101-06800-G	1	F12
90105-ABA5-E20	0	F12	93891-05030-08G	0	F11	94102-10800-G	0	F12
90164-MDR4-910	1	F01	93901-32310	0	F10	94102-12800-G	0	F06
90301-4C73-004	0	F01	93903-34380-G	0	F01	94111-LAC5-700	1	F04
90301-LAC5-671	1	F03	93903-34380-G	0	F03	94510-19000	0	E01
90302-KEC8-910	1	F01	93903-34380-G	0	F09	94591-27000	0	F12
90302-SDA4-004	3	F01	93903-34380-G	0	F10	95000		
90302-SDA4-004	3	F03	93903-35320	4	F01	95701-06012-08G	1	F11
90304-LDB4-90A	1	F12	93903-GFY6-910	1	F01	95701-06012-08G	1	F12
90306-LDB4-90A	1	F06	94000			95701-06020-08G	1	F01
90309-LDB4-90A	1	F01	94001-06060-0SG	0	F12	95701-06055-08G	0	F12
90309-LDB4-90A	1	F04	94001-06070-0SG	0	F12	95801-06055-08G	0	F12
90443-ABA5-E20	3	F05	94001-08080-0SG	0	F04	95801-08035-08G	0	F01
90443-ABA5-E20	3	F06	94001-10080-0SG	0	F12	95801-08035-08G	0	F12
90652-LFB5-900	3	F01	94001-LAC5-900	2	F04	95801-08045-08G	0	F01
90656-KUDU-900	0	F11	94021-06060-0SG	0	F12	95801-08045-08G	0	F12
						95801-08065-08G	0	F12
						95801-10045-08G	0	F12

PART NO. INDEX

PART NO.	VERSION	PAGE	PART NO.	VERSION	PAGE	PART NO.	VERSION	PAGE
95801-10080-08G	0	F12						
96000								
96130-60000-00	0	F12						
96130-60020-10	0	F12						
96211-05000	26	F04						
96700-08015-07G	0	F12						
96700-08025-08G	0	F05						
96700-08025-08G	0	F06						
96700-08030-08G	0	F12						

