

PARTS CATALOGUE



MOBILITY SCOOTER

EQ35JA(UK)

KOMFY 8



Release Date : 2019/05/23
Print Date : 2019/11/01

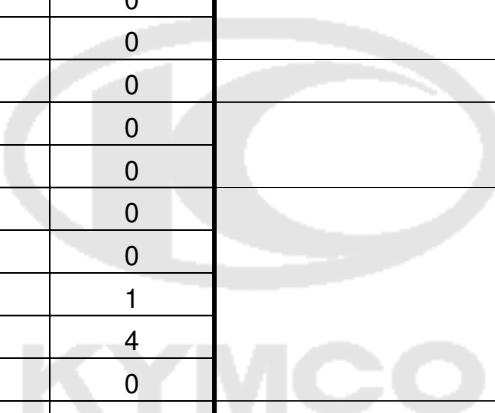
ABOUT THIS PARTS LIST

- This parts list is compiled all service parts for model EQ35JA(UK).
- Any difference between color chart and motorcycle will be revised according to motorcycle.
- The Mark:
 1. Marking "***" must add color code in the end before ordering parts.
 2. Marking "#" are parts with modification, Please find the details from e-Parts system.
- When modification or additions to this parts list are made a revised edition at an appropriate time.



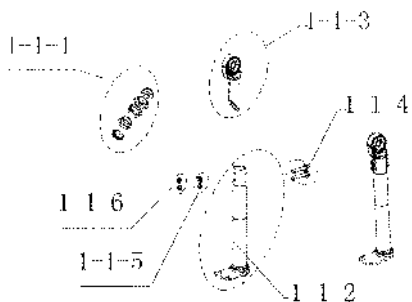
CONTENTS

● ABOUT THIS PARTS LIST	1
● COLOR CHART OF EQ35JA(UK)	3
● CONTENTS-ENGINE GROUP	4
● CONTENTS-FRAME GROUP	4
● ENGINE PARTS LIST	7
● FRAME PARTS LIST	7
● PART NO. INDEX	45

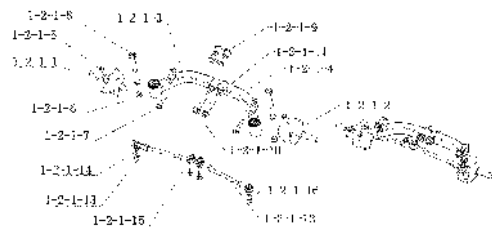
NO	MODEL			COLOR CHART OF EQ35JA(UK)			
	PHOTO NO			NO. 1	NO. 2	NO. 3	NO. 4
	BASIC COLOR			Bright Blue	Dark Red	Black	Bright Silver
	CODE			Bright Blue	Dark Red	Black	Bright Silver
	PARTS NAME	PARTS NO.	VERSION	PB107MA	RR157MA	NH001SA	NH045MA
1	COVER FR.	64301-AGF1-E00	0	BAP	EKP	N1P	N8P
2	COVER FR. FLOOR	64340-AGF1-E00	0				
3	COVER MIDDLE BODY	83600-AGF1-E00	0				
4	COVER METER	37203-AGF1-E00	0				
5	FLOOR PANEL	64310-AGF1-E00	0				
6	FENDER RR TIRE	80100-AGF1-E00	0				
7	LEG SHIELD	81131-AGF2-E00	0				
8	COVER UP BODY	83500-AGF1-E00	0				
9	COVER LOW BODY	83750-AGF1-E00	0				
10	TOOTH UP ADJUST	53101-AGF1-E00	0				
11	WHEEL ASSY RR R	42500-AGF1-E00	0				
12	WHEEL ASSY RR L	42600-AGF1-E00	0				
13	STRIPE FR COVER	86101-AGF1-E20	0				
14	LABEL ELEC CONTROL	87502-AGF1-E00	0				
15	CAUTION LOCK	87541-LAE9-E00	1	T01			
16	MAR DRIVE CAUTION	87560-LAC5-900	4	T02			
17	LABEL SPEED SW	87562-AGF2-E00	0				
18	USE CAUTION	87501-LED5-910	1				
19	EMB K-LOGO '30MM	86102-LCA5-900	4	T03			
20	CUSHION ASSY FR	51400-AGF1-E00	0	X7S			
DATE OF STARTING-SALES							
DATE OF END-SALES							

CONTENTS - FRAME GROUP

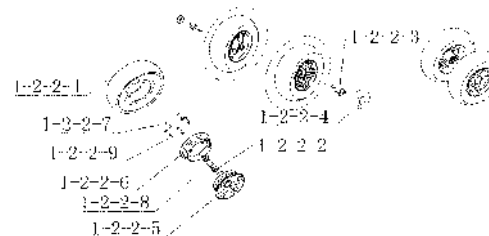
F01 Steering Stem



F02 Swing Arm Set



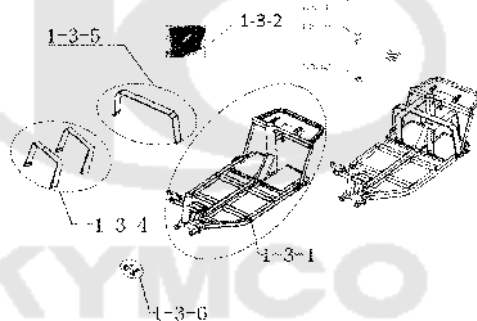
F03 Front Wheel



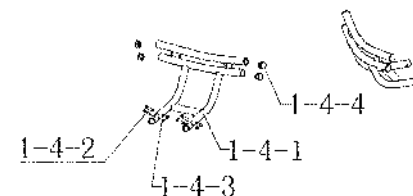
F04 Front Cushion



F05 Front Body



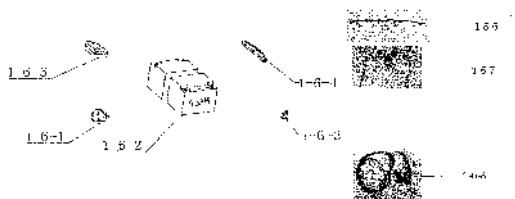
F06 Front Bumper



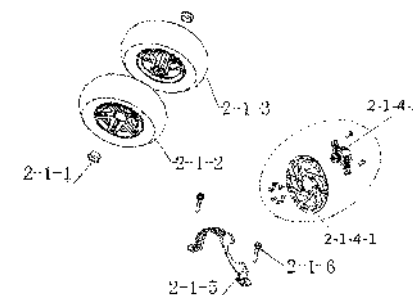
F07 Body Cover Floor




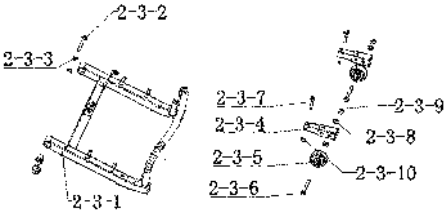

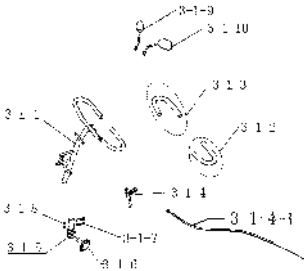
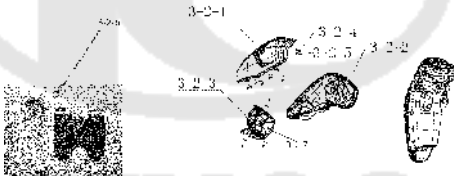
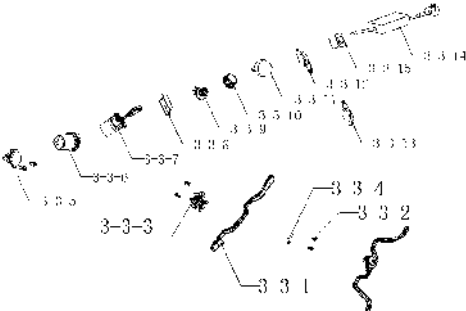
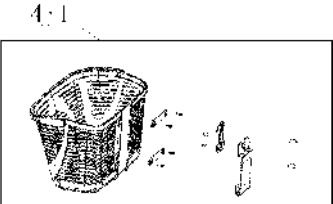
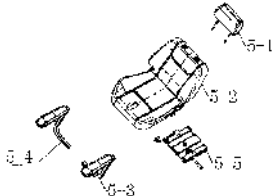
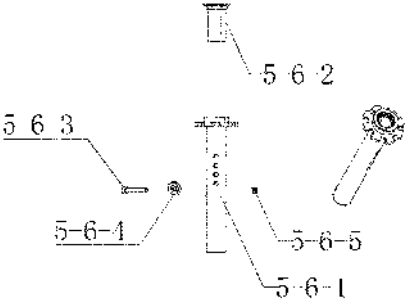
F08 Battery ECU



F09 Rear Wheel

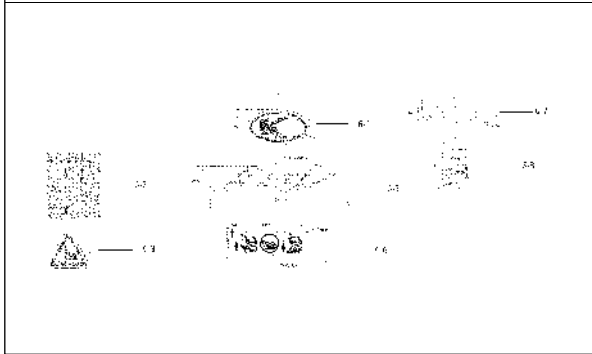


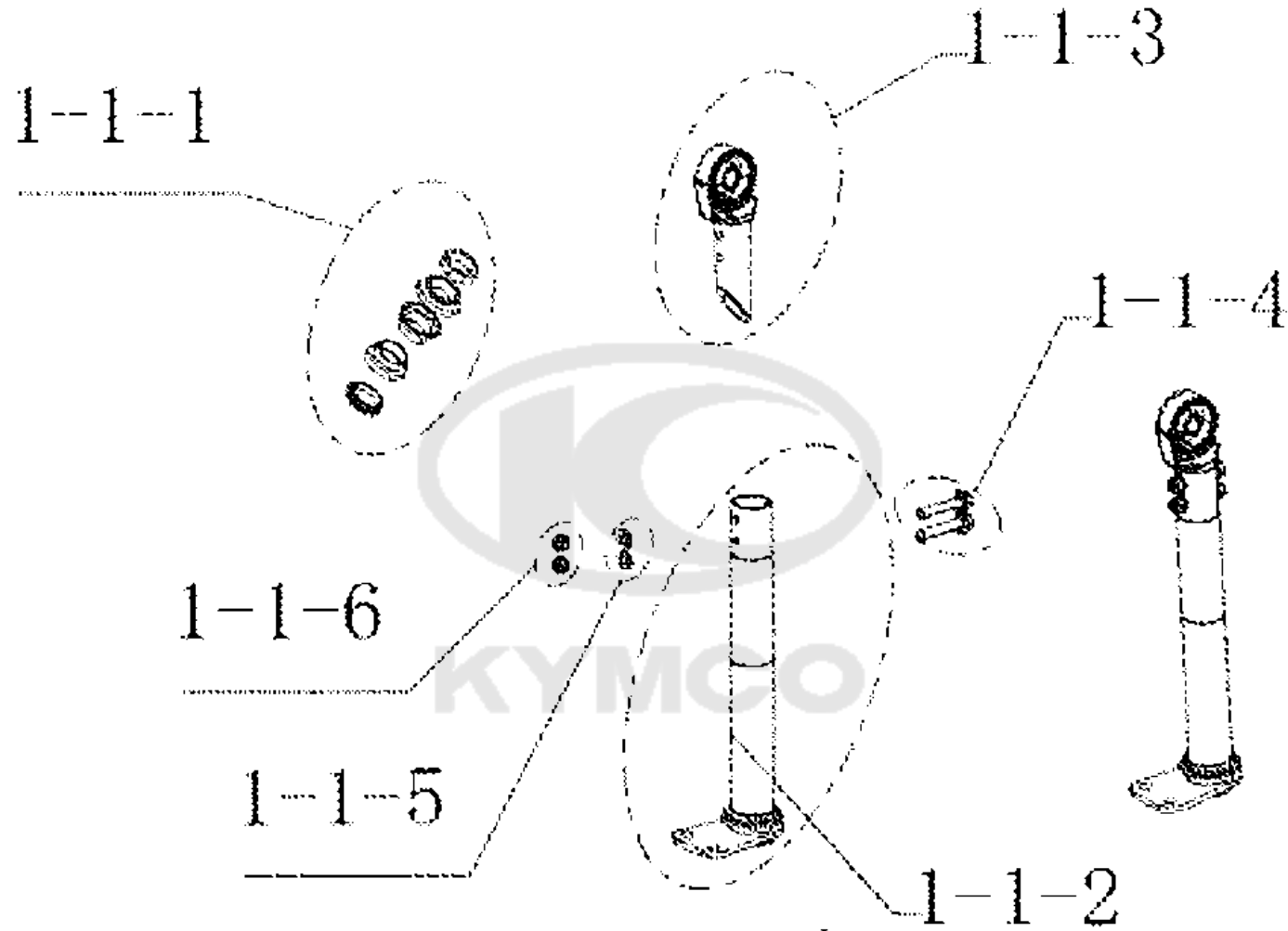
CONTENTS - FRAME GROUP

<p>F10 Mission Motor</p>	<p>F11 Rear Fork</p>	<p>F12 Rear Cushion</p>
		
<p>F13 Handle Bar</p>	<p>F14 Front Cover</p>	<p>F15 Throttle Lever</p>
		
<p>F16 Basket</p>	<p>F17 Seat Set</p>	<p>F18 Seat Pipe Set</p>
		

CONTENTS - FRAME GROUP

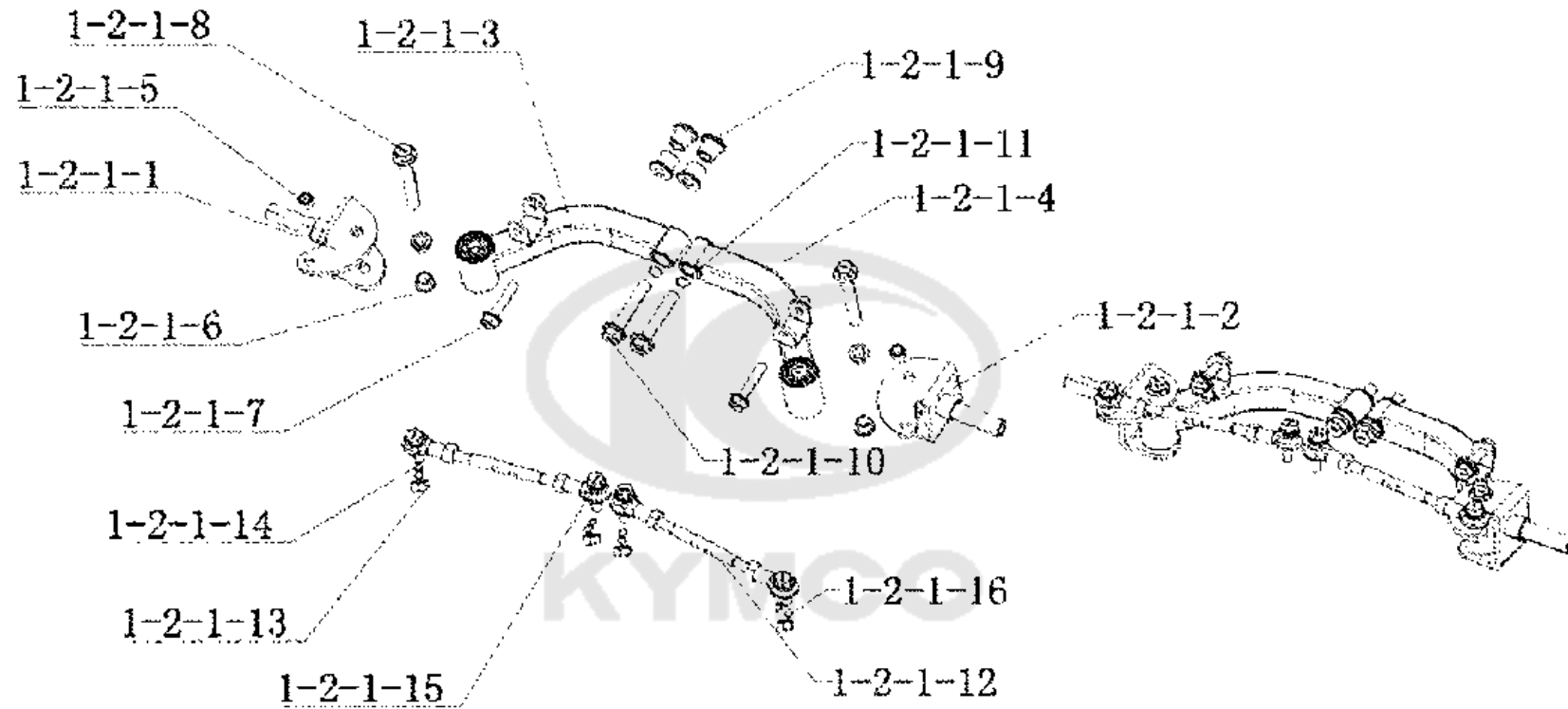
F19 Stripe



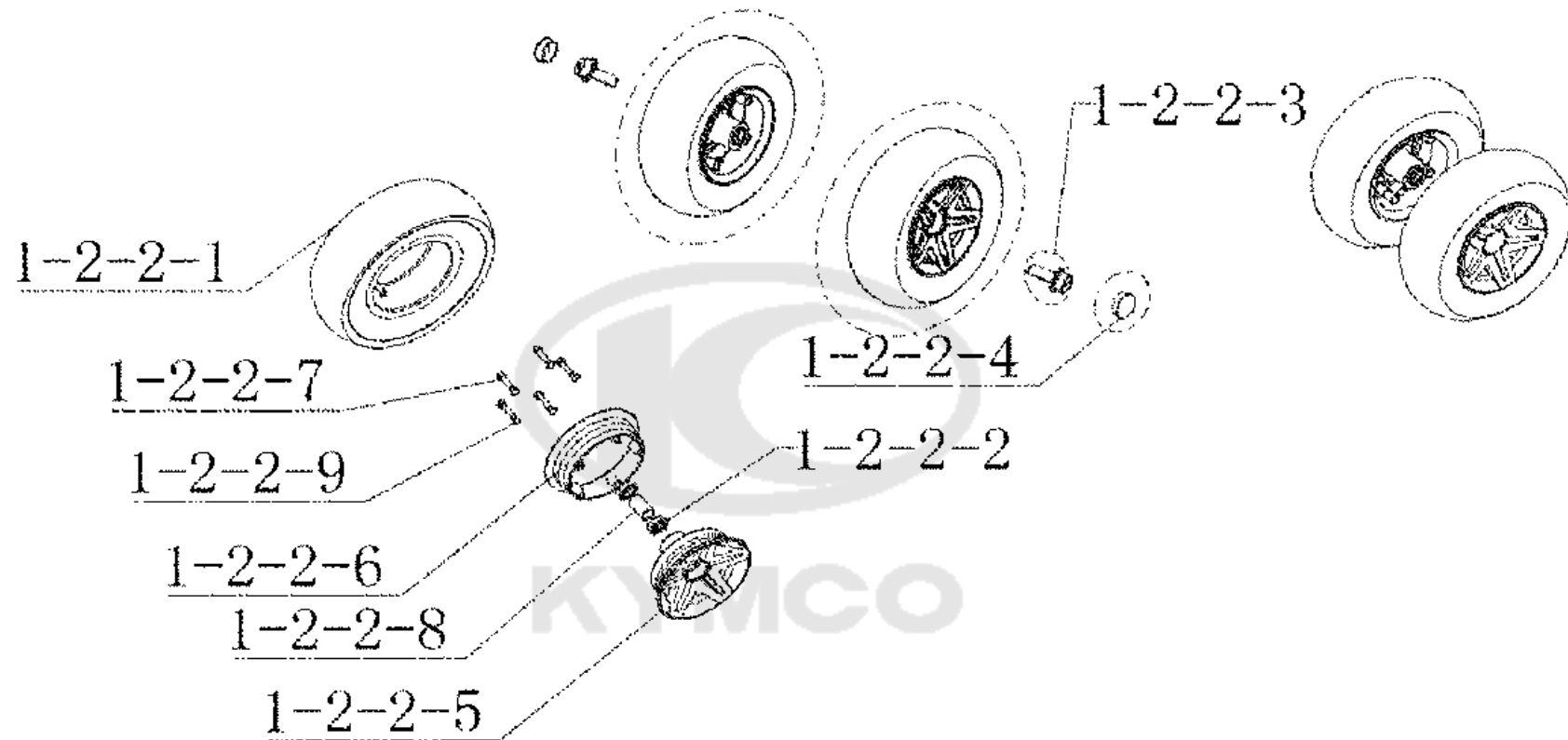


Sales mark	Ref no	Part no	Description	Reg description	Regd no	Ref Price	F01
	1-1-1	5030A-AGF1-E00	RACE ASSY STRG	RACE ASSY STRG	1	8.87	
	1-1-3	53102-AGF1-E00	TOOTH UNDER ADJUST	TOOTH UNDER ADJUST	1	9.75	
	1-1-2	53200-AGF1-E00	STEM COMP STRG	STEM COMP STRG	1	19.50	
	1-1-6	94001-06060-0S	NUT HEX 6MM	NUT HEX 6MM	2	3.25	
	1-1-5	94101-06800	WASHER PLAIN 6MM **06080	WASHER PLAIN 6MM **06080 C.97.01.01	2	0.12	
	1-1-4	95701-06035-08G	BOLT FLANGE 6*35	BOLT FLANGE 6*35	2	3.25	

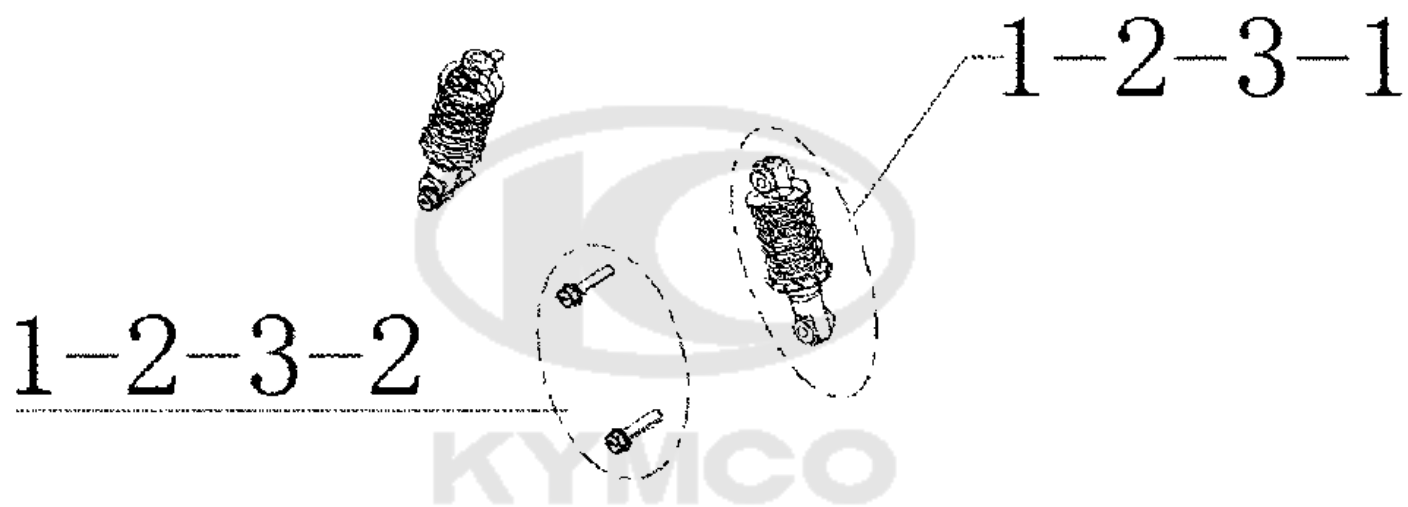




Sales mark	Ref no	Part no	Description	Reg description	Regd no	Ref Price	F02
	1-2-1-1	47401-AGF1-E00	SHAFT COMP RH STEERING	SHAFT COMP RH STEERING	1	16.25	
	1-2-1-2	47501-AGF1-E00	SHAFT COMP LH STEERING	SHAFT COMP LH STEERING	1	16.25	
	1-2-1-3	53400-AGF1-E00	ARM ASSY R SWING	ARM ASSY R SWING	1	40.00	
	1-2-1-6	53402-AGF1-E00	WASHER SHAFT	WASHER SHAFT	4	3.25	
	1-2-1-9	53403-AGF1-E00	COLLAR SWING ARM	COLLAR SWING ARM	4	3.25	
	1-2-1-4	53500-AGF1-E00	ARM ASSY L SWING	ARM ASSY L SWING	1	40.00	
	1-2-1-12	53800-AGF1-E00	ROD ASSY STRG	ROD ASSY STRG	2	13.00	
	1-2-1-5	53805-AGF1-E00	COLLAR STRG ROD	COLLAR STRG ROD	2	3.25	
	1-2-1-13	94050-08060	NUT FLANGE 8MM	NUT FLANGE 8MM	4	0.49	
	1-2-1-14	94101-08800	WASHER PLAIN 8MM	WASHER PLAIN 8MM	4	0.51	
	1-2-1-16	94111-08600	WASHER SPG 8MM	WASHER SPG 8MM	4	3.25	
	1-2-1-11	94111-10800	WASHER SPG 10MM	WASHER SPG 10MM	2	0.17	
	1-2-1-15	95701-08030-06	BOLT FLANGE 8*30 **07 C.2005.07.01	BOLT FLANGE 8*30 **07 C.2005.07.01	2	0.50	
	1-2-1-7	95801-08040-06	BOLT FLANGE 8*40	BOLT FLANGE 8*40	4	0.68	
	1-2-1-10	95801-10055-06	BOLT FLANGE 10*55	BOLT FLANGE 10*55	2	0.68	
	1-2-1-8	95801-10075-06	BOLT FLANGE 10x75 (G)	BOLT FLANGE 10x75 (G)	2	0.83	



Sales mark	Ref no	Part no	Description	Reg description	Regd no	Ref Price	F03
	1-2-2-4	44315-AGF1-E00	CAP FR AXLE	CAP FR AXLE	2	3.25	
		44500-AGF1-E00	WHEEL ASSY FRONT R	WHEEL ASSY FRONT R	1	39.00	
		44600-AGF1-E00	FRONT WHEEL ASSY L	FRONT WHEEL ASSY L	1	39.00	
	1-2-2-8	44620-AGF1-E00	DIST COLLAR,FR WHEEL	DIST COLLAR,FR WHEEL	2	3.25	
	1-2-2-5	44701-AGF1-E00	RIM EXTR FR	RIM EXTR FR	2	13.00	
	1-2-2-6	44702-AGF1-E00	RIM INTR	RIM INTR	2	13.00	
	1-2-2-1	44710-AGF1-E00	TIRE ASSY	TIRE ASSY	2	22.00	
	1-2-2-9	94111-06800	WASHER SPRING 6MM	WASHER SPRING 6MM	10	0.16	
	1-2-2-3	95701-10020-06	BOLT FLANGE 10*20	BOLT FLANGE 10*20	2	0.50	
	1-2-2-2	96130-69020-00	BEARING 6902ZZ	BEARING 6902ZZ	4	3.25	
	1-2-2-7	96700-06025-06	SOCKET BOLT 6*25(G)	SOCKET BOLT 6*25(G)	10	0.50	



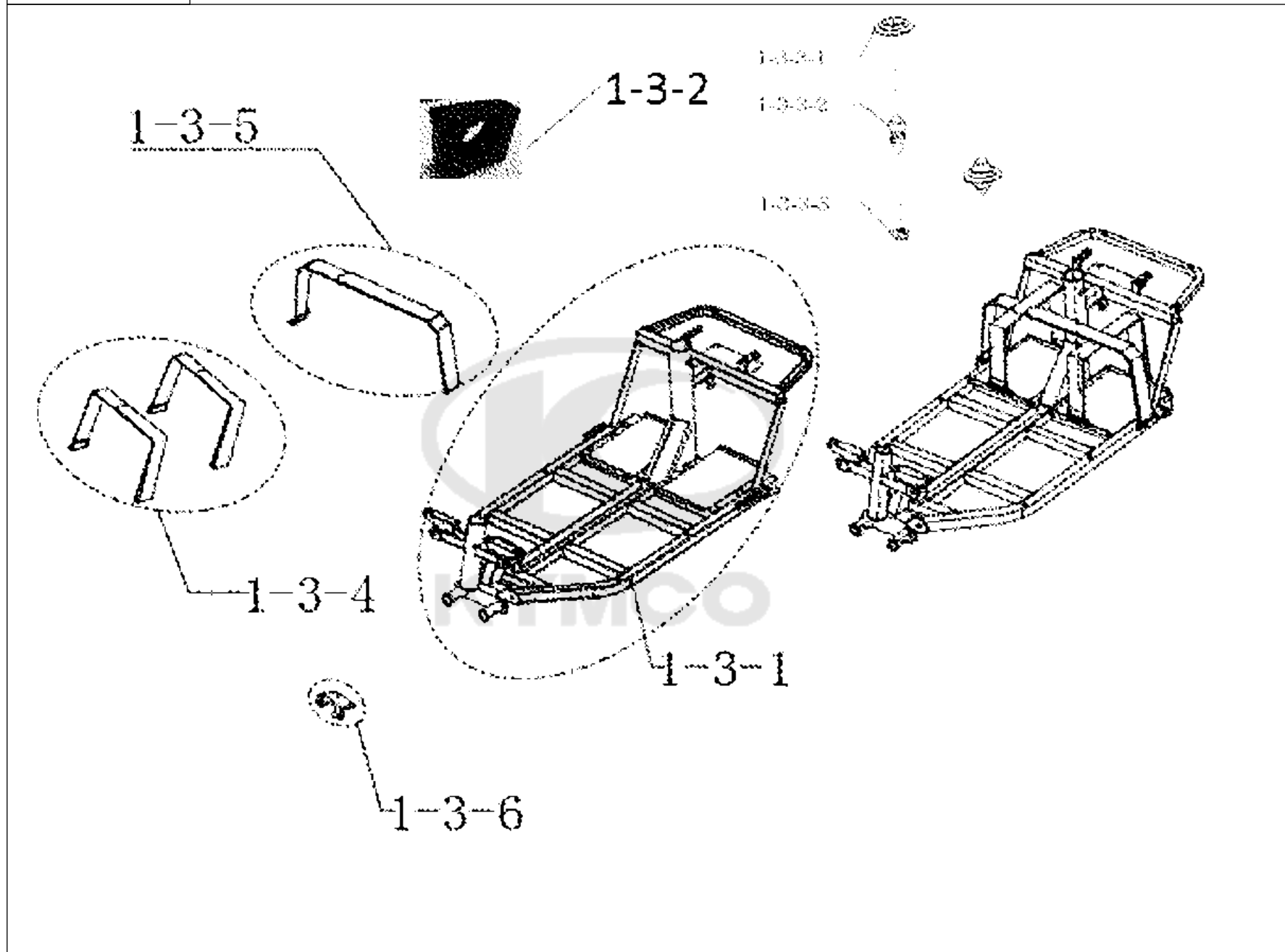
Sales mark	Ref no	Part no	Description	Reg description	Regd no	Ref Price	F04
------------	--------	---------	-------------	-----------------	---------	-----------	------------

**	1-2-3-1	51400-AGF1-E00	CUSHION ASSY FR	CUSHION ASSY FR	2	27.30	
	1-2-3-2	95801-08030-06	BOLT FLANGE 8*30	BOLT FLANGE 8*30	2	0.50	



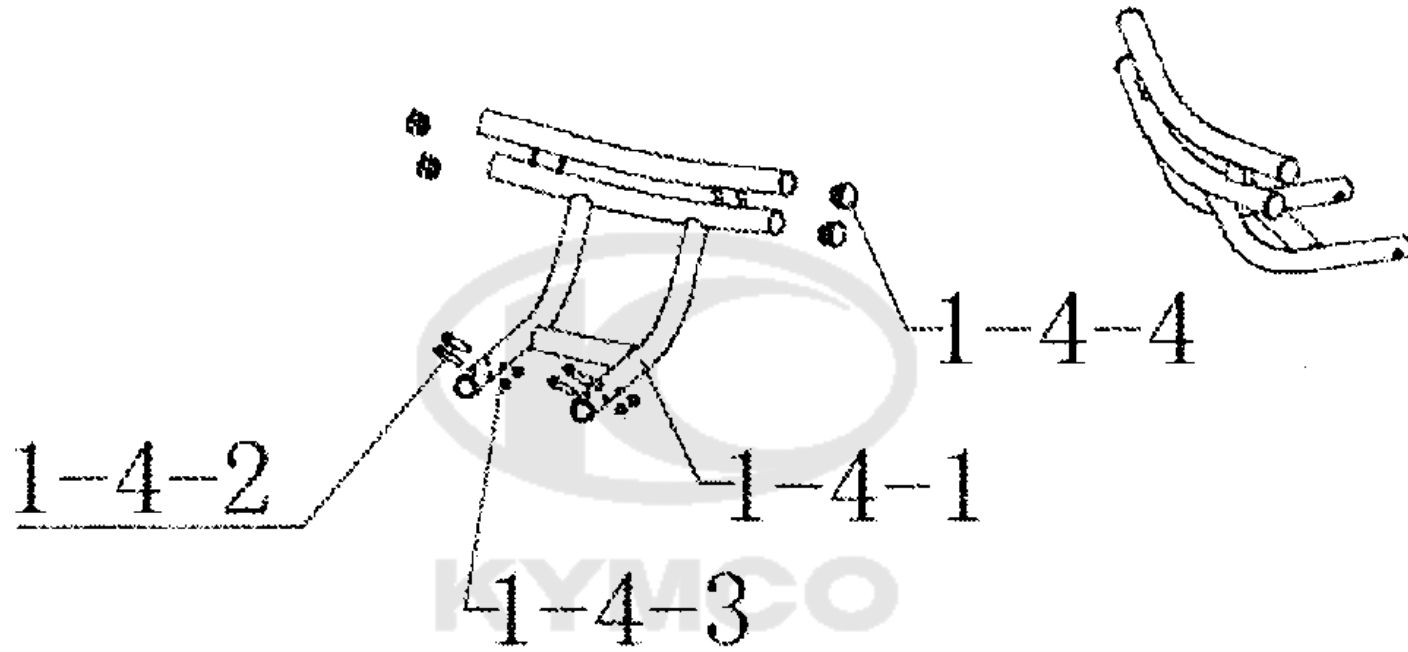
F05

Front Body



Sales mark	Ref no	Part no	Description	Reg description	Regd no	Ref Price	F05
	1-3-4	31510-AGF1-E00	BAND A BATTERY	BAND A BATTERY	1	3.25	
	1-3-5	31511-AGF1-E00	BAND B BATTERY	BAND B BATTERY	2	3.25	
	1-3-1	50100-AGF1-E00	BODY COMP.FRAME	BODY COMP.FRAME	1	243.75	
	1-3-6	50162-AGF1-E00	STAY FR. LIGHT	STAY FR. LIGHT	1	5.13	
	1-3-3-2	50310-LAC5-900	BOLT LOCK PIN	BOLT LOCK PIN	2	3.25	
	1-3-3-1	83551-LBE1-900	GROMMET ALT 83551-KKAK-900	GROMMET ALT 83551-KKAK-900	2	3.25	
	1-3-2	90661-AGF1-E00	CLIP HARNESS WIRE	CLIP HARNESS WIRE	2	3.25	
	1-3-3-3	94001-06060-0S	NUT HEX 6MM	NUT HEX 6MM	2	3.25	





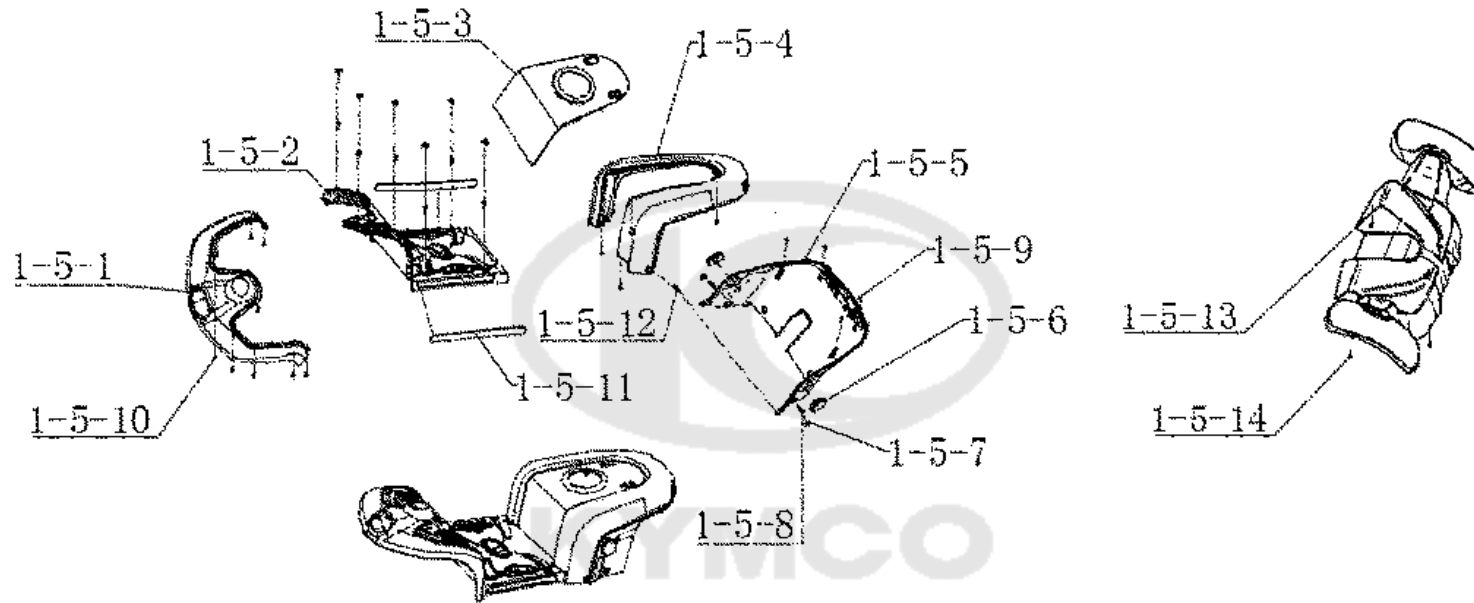
Sales mark	Ref no	Part no	Description	Reg description	Regd no	Ref Price	F06
------------	--------	---------	-------------	-----------------	---------	-----------	------------

	1-4-1	50169-AGF1-E00	PIPE FR. GRIP	PIPE FR. GRIP	1	18.20	
	1-4-4	85104-AGF1-E00	CAP BUMPER	CAP BUMPER	4	3.25	
	1-4-3	94001-06060-0S	NUT HEX 6MM	NUT HEX 6MM	2	3.25	
	1-4-2	95801-06030-08G	BOLT FLANGE 6*30	BOLT FLANGE 6*30	4	3.25	

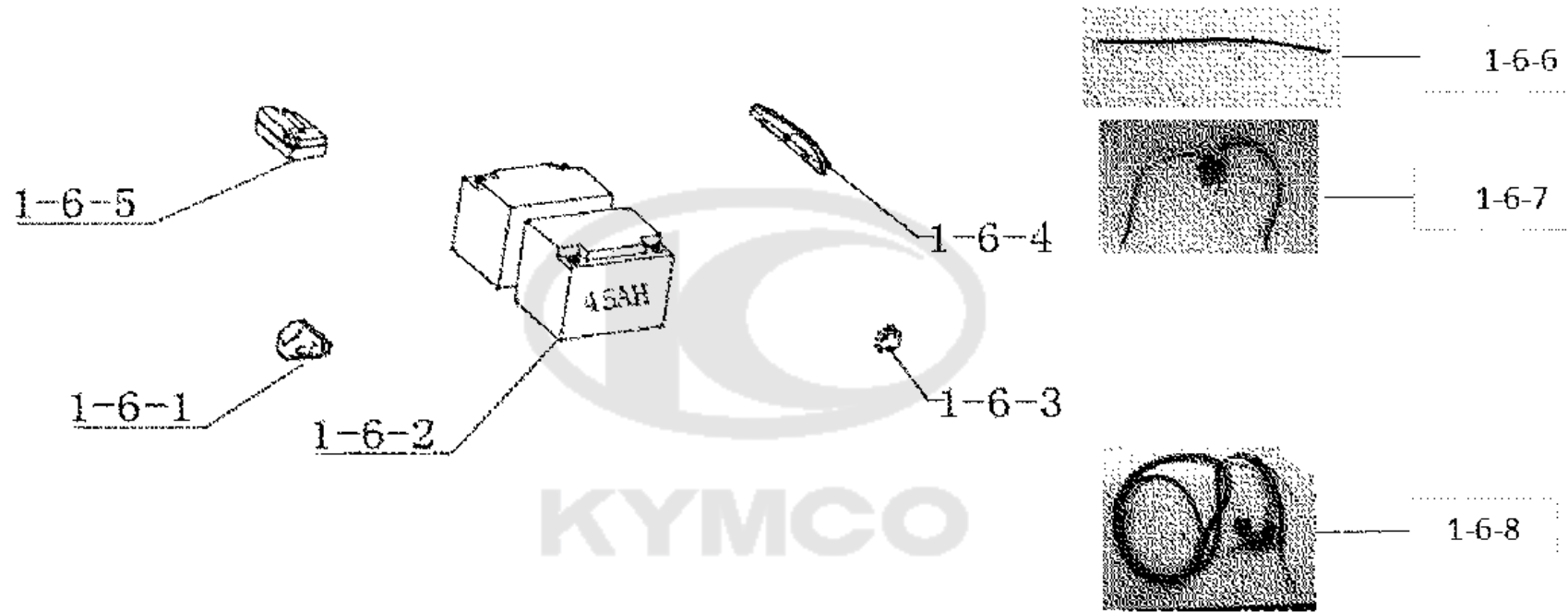


F07

Body Cover Floor

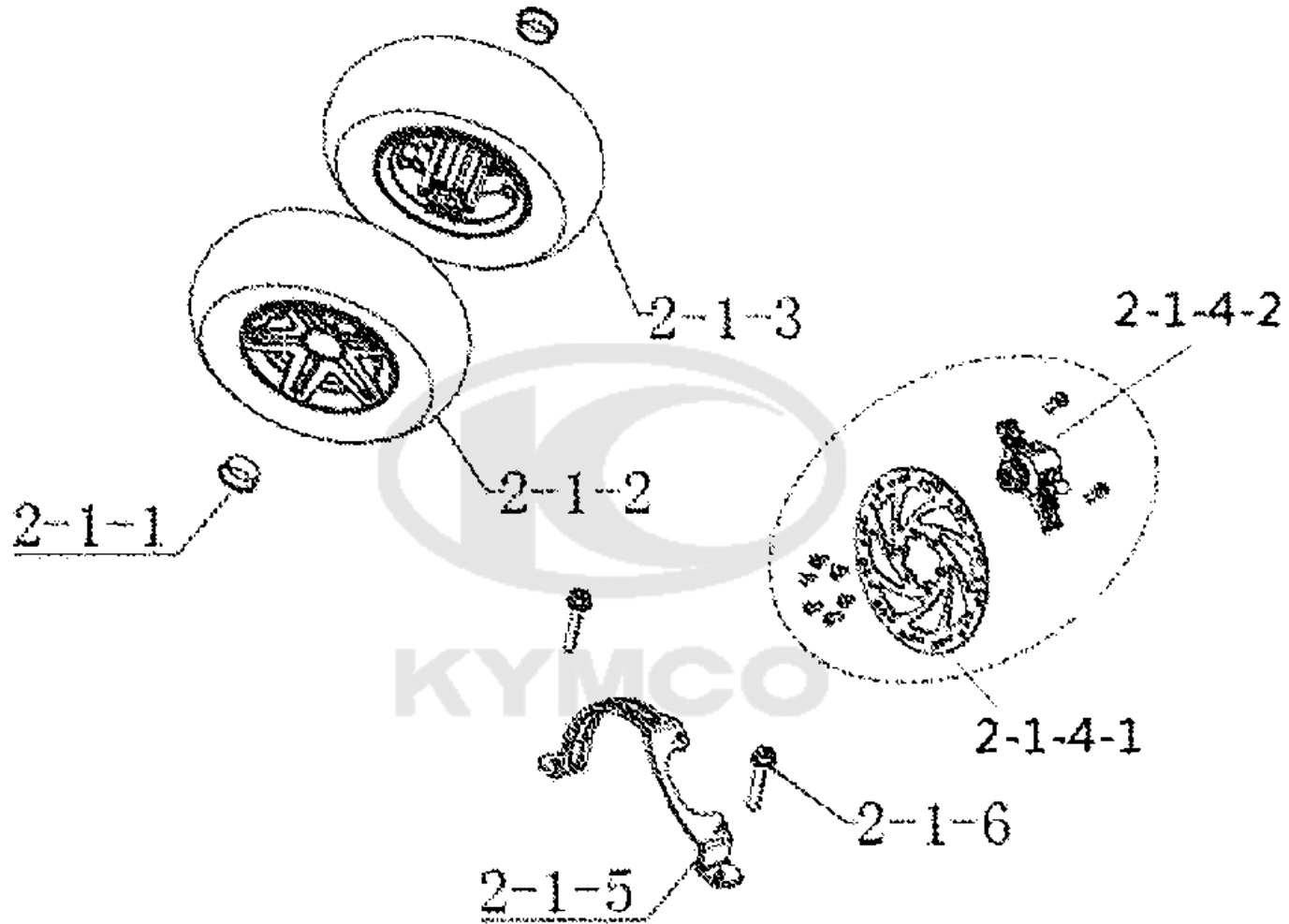



Sales mark	Ref no	Part no	Description	Reg description	Regd no	Ref Price	F07
	1-5-6	33741-AGF1-E00	REFLEX REFLECTOR SIDE	REFLEX REFLECTOR SIDE	2	3.25	
**	1-5-2	64310-AGF1-E00	FLOOR PANEL	FLOOR PANEL	1	52.00	
	1-5-11	64311-AGF1-E00	MOLD A	MOLD A	2	3.25	
	1-5-7	64316-AGF1-E00	PLUG FLOOR	PLUG FLOOR	8	3.25	
**	1-5-1	64340-AGF1-E00	COVER FR. FLOOR	COVER FR. FLOOR	1	52.00	
**	1-5-13	80100-AGF1-E00	FENDER RR TIRE	FENDER RR TIRE	1	16.25	
**	1-5-3	83500-AGF1-E00	COVER UP BODY	COVER UP BODY	1	26.00	
**	1-5-4	83600-AGF1-E00	COVER MIDDLE BODY	COVER MIDDLE BODY	1		
**	1-5-5	83750-AGF1-E00	COVER LOW BODY	COVER LOW BODY	1	26.00	
	1-5-12	90653-LKB9-900	CLIP.MUDGUARD	CLIP.MUDGUARD	2	0.52	
	1-5-10	93903-14360	SCREW TAPPING 4*12	SCREW TAPPING 4*12	14	3.25	
	1-5-9	93903-25560	SCREW TAPPING 5*25	SCREW TAPPING 5*25	4	3.25	
	1-5-14	93903-45360	SCREW TAPPING 5*16	SCREW TAPPING 5*16	4	0.41	
	1-5-8	95701-06016-08G	BOLT FLANGE 6*16	BOLT FLANGE 6*16	8	0.25	



Sales mark	Ref no	Part no	Description	Reg description	Regd no	Ref Price	F08
	1-6-3	31400-AGF2-E00	BREAKER 45A	BREAKER 45A	1	8.22	
	1-6-2	31500-AGF1-E00	BATTERY 12V 45AH	BATTERY 12V 45AH	2	100.00	
	1-6-8	32100-AGF1-E00	HARNESS WIRE	HARNESS WIRE	1	32.50	
	1-6-6	32201-AGF1-E00	CONNECT CORD BATTERY	CONNECT CORD BATTERY	1	13.00	
	1-6-7	32202-AGF1-E00	CONNECT CORD BATTERY	CONNECT CORD BATTERY	1	11.70	
	1-6-1	33500-AGF1-E00	LIGHT ASSY. FR POSITION	LIGHT ASSY. FR POSITION	1	29.25	
	1-6-4	33700-AGF1-E00	LIGHT ASSY. RR. COMB.	LIGHT ASSY. RR. COMB.	1	32.50	
	1-6-5	36000-AGF1-E00	ELEC CONTROLLER UNIT	ELEC CONTROLLER UNIT	1	200.00	

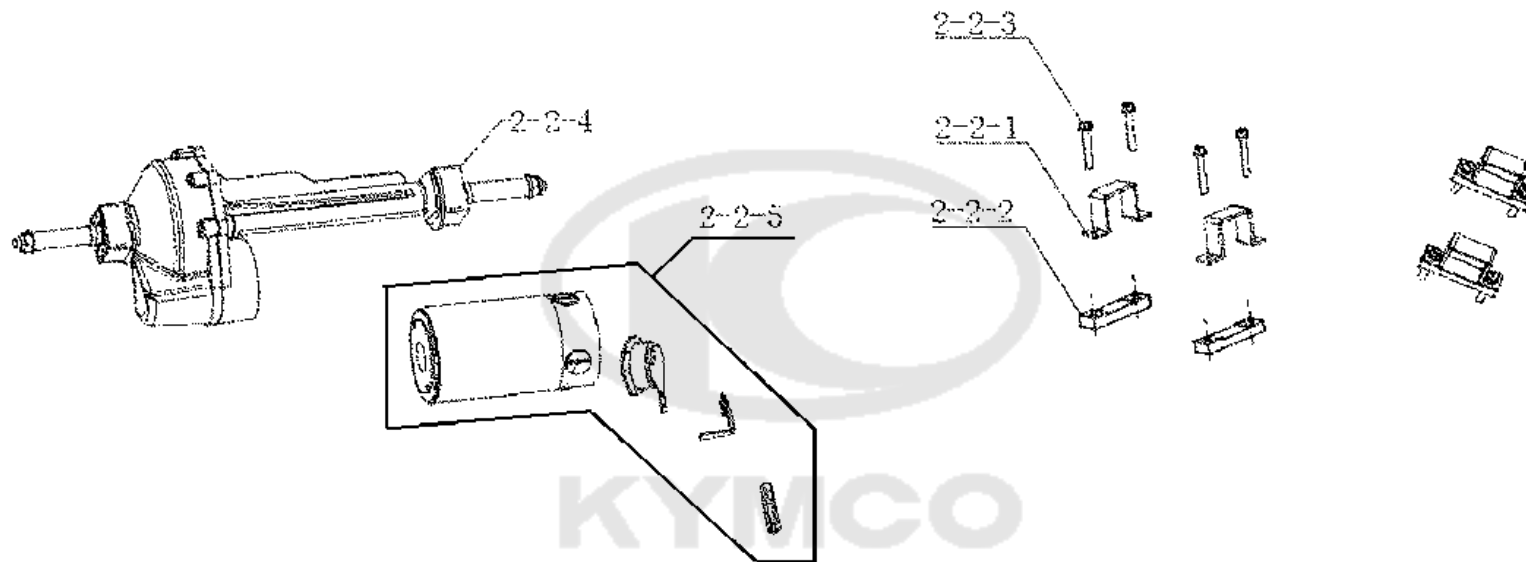





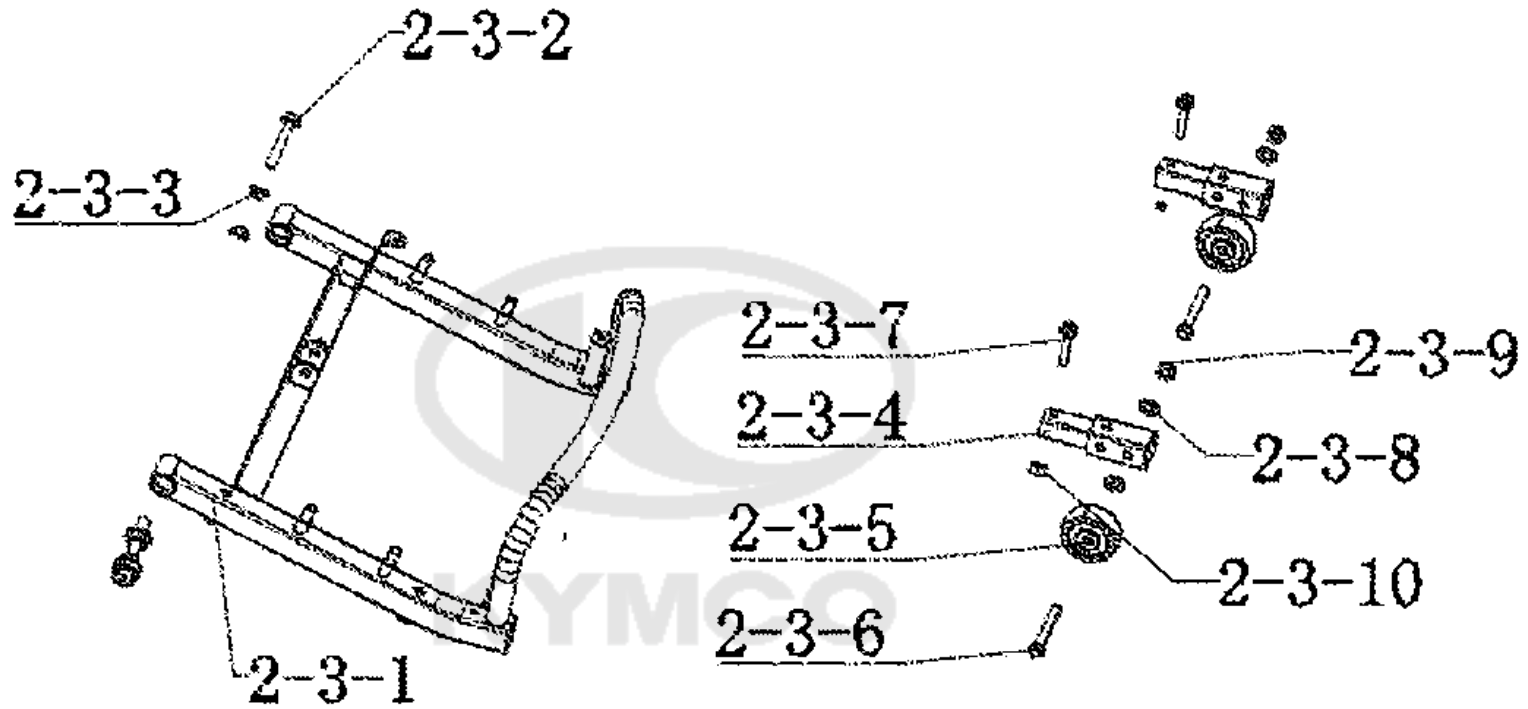
Sales mark	Ref no	Part no	Description	Reg description	Regd no	Ref Price	F09
**	2-1-3	42500-AGF1-E00	WHEEL ASSY RR R	WHEEL ASSY RR R	1	32.50	
**	2-1-2	42600-AGF1-E00	WHEEL ASSY RR L	WHEEL ASSY RR L	1	32.50	
	2-1-4-2	43200-AGF1-E00	CALIPER ASSY RR	CALIPER ASSY RR	1	53.30	
	2-1-5	43210-AGF1-E00	BRACKET RR CALIPER	BRACKET RR CALIPER	1	13.29	
	2-1-4-1	43351-AGF1-E00	DISK 140 RR BRK	DISK 140 RR BRK	1	19.12	
	2-1-1	44315-AGF1-E00	CAP FR AXLE	CAP FR AXLE	2	3.25	
	2-1-6	95701-08040-08G	BOLT FLANGE 8*40	BOLT FLANGE 8*40	2	0.77	
							

F10

Mission Motor

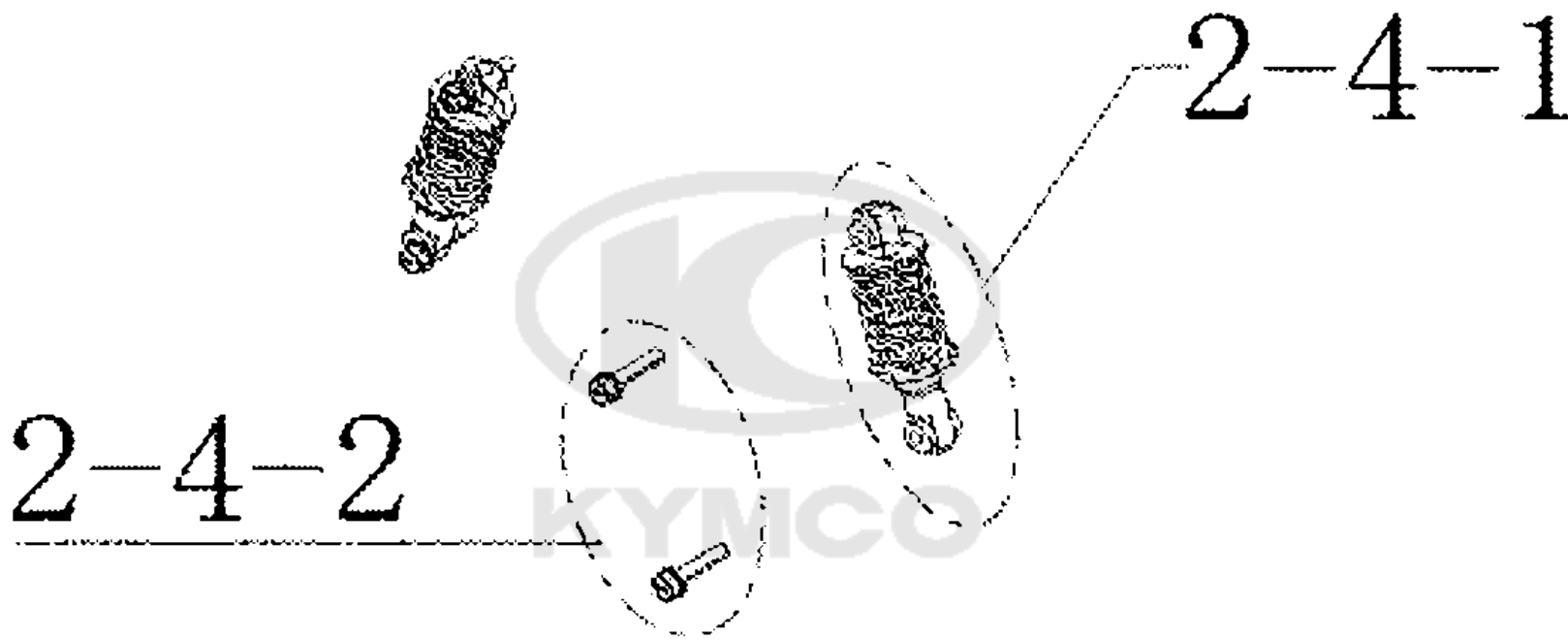


Sales mark	Ref no	Part no	Description	Reg description	Regd no	Ref Price	F10
	2-2-4	1000A-AGF1-E00	MOTOR TRANSLAXE ASSY	MOTOR TRANSLAXE ASSY	1	200.00	
	2-2-5	31300-AGF2-E00	MOTOR ASSY.	MOTOR ASSY.	1	160.00	
		31350-AGF1-E00	MOTOR BRAKE	MOTOR BRAKE	1	70.00	
	2-2-2	50305-AGF1-E00	RACE UNDER STRG.BALL	RACE UNDER STRG.BALL	2	5.20	
	2-2-1	50350-AGF1-E00	CONNECTOR MISSION	CONNECTOR MISSION	2	5.20	
	2-2-3	94050-08060	NUT FLANGE 8MM	NUT FLANGE 8MM	4	0.49	
							



Sales mark	Ref no	Part no	Description	Reg description	Regd no	Ref Price	F11
	2-3-5	42800-AGF1-E00	AUX WHEEL	AUX WHEEL	2	3.25	
	2-3-4	50231-AGF1-E00	PIPE COMP AUX WHEEL	PIPE COMP AUX WHEEL	2	7.80	
	2-3-1	52110-AGF1-E00	FORK COMP RARE	FORK COMP RARE	1	52.00	
	2-3-3	90102-AGF1-E00	COLLAR FORK	COLLAR FORK	4	3.25	
	2-3-9	94001-08060-0S	NUT HEX 8MM	NUT HEX 8MM	2	52.00	
	2-3-10	94050-06060	NUT FLANGE 6MM	NUT FLANGE 6MM	2	0.49	
	2-3-8	94101-08800	WASHER PLAIN 8MM	WASHER PLAIN 8MM	4	0.51	
	2-3-7	95701-06035-06	BOLT FLANGE 6*35 **07 C.2005.07.01	BOLT FLANGE 6*35 **07 C.2005.07.01	2	0.50	
	2-3-6	95701-08060-06	BOLT FLANGE 8*60 (G)	BOLT FLANGE 8*60 (G)	2	0.50	
	2-3-2	95801-10055-08G	BOLT FLANGE 10*55	BOLT FLANGE 10*55	2	6.50	

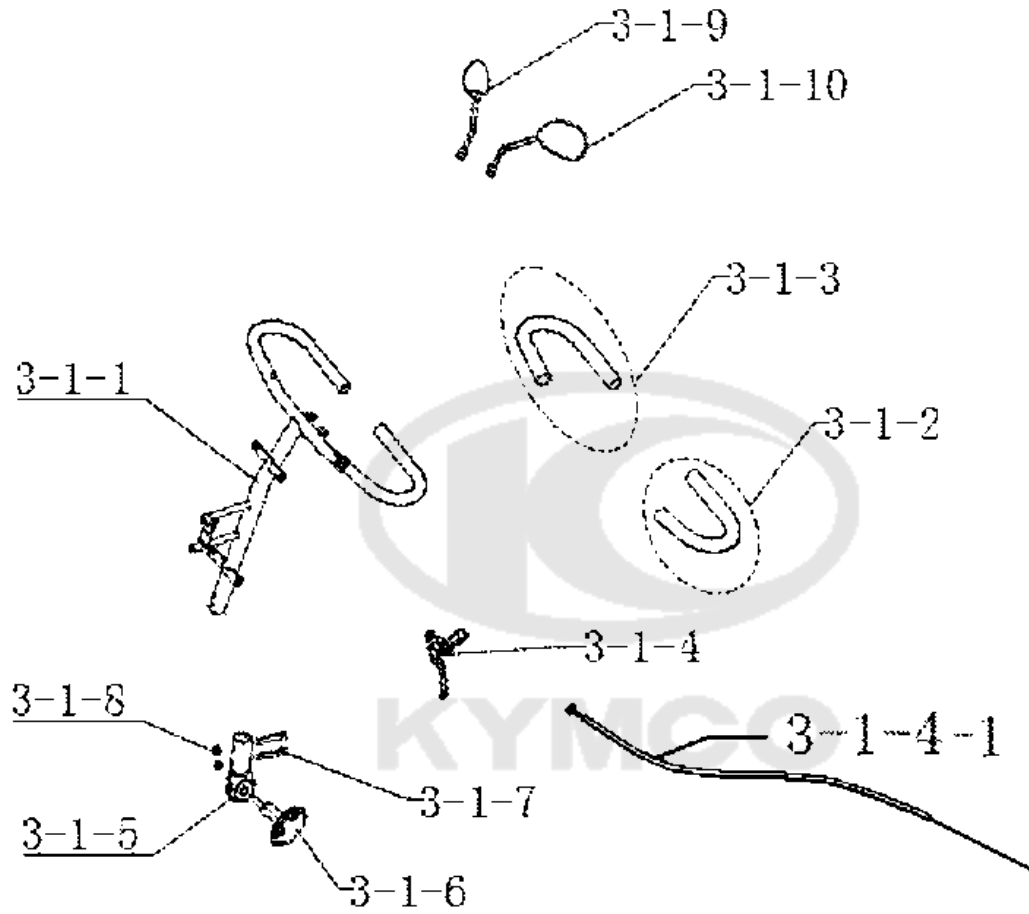




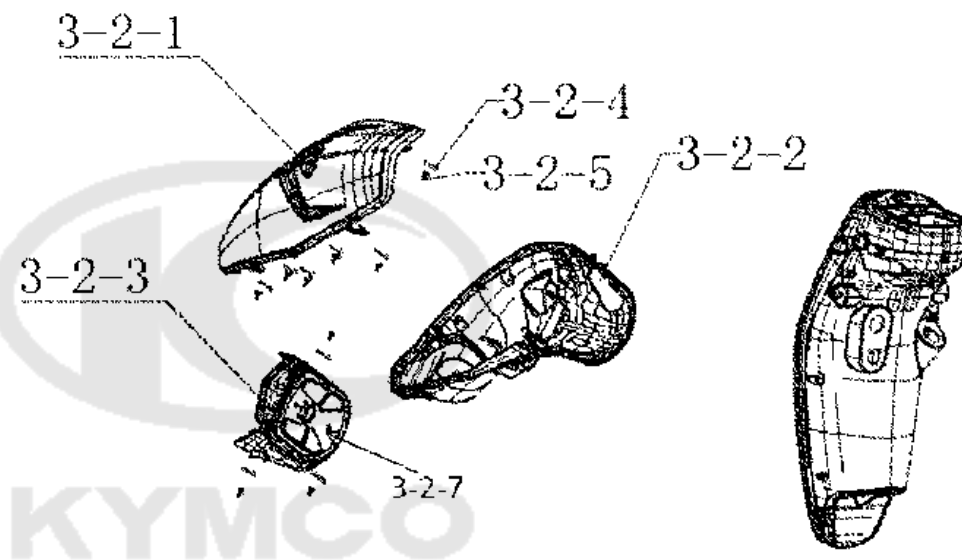
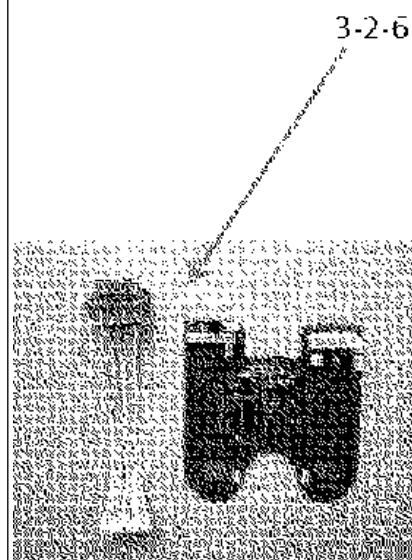
Sales mark	Ref no	Part no	Description	Reg description	Regd no	Ref Price	F12
------------	--------	---------	-------------	-----------------	---------	-----------	------------


2-4-1		52400-AGF1-E00	CUSHION ASSY RR	CUSHION ASSY RR	2	27.30	
2-4-2		95701-08040-08G	BOLT FLANGE 8*40	BOLT FLANGE 8*40	4	0.77	





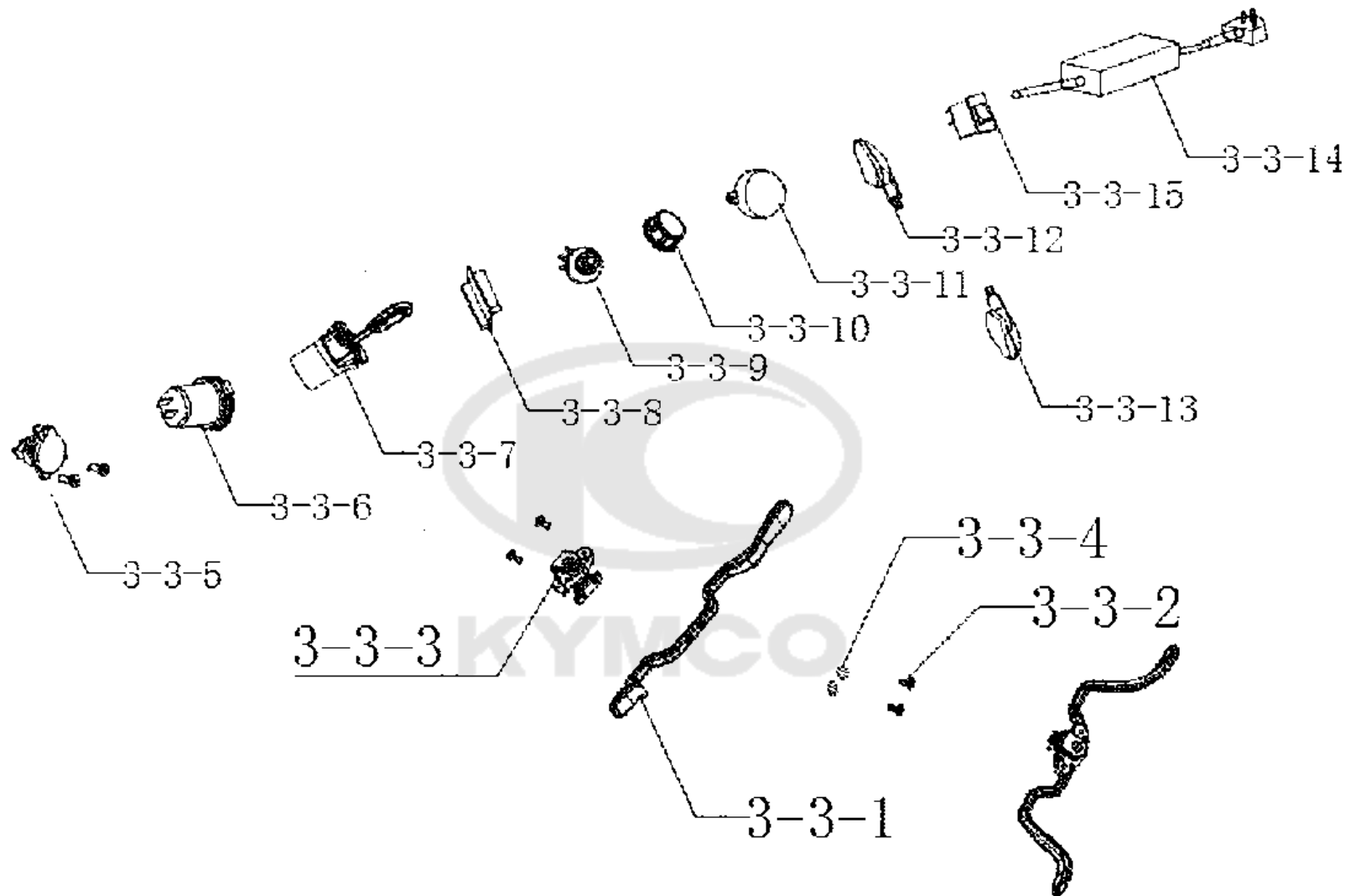
Sales mark	Ref no	Part no	Description	Reg description	Regd no	Ref Price	F13
	3-1-4-1	43450-AGF1-E00	CABLE COMP RR BRK	CABLE COMP RR BRK	1	27.30	
**	3-1-5	53101-AGF1-E00	TOOTH UP ADJUST	TOOTH UP ADJUST	1	8.87	
	3-1-1	5310A-AGF1-E00	HANDLE BAR ASSY	HANDLE BAR ASSY	1	35.70	
	3-1-6	5311A-AGF1-E00	COMP HANDLE WHEEL	COMP HANDLE WHEEL	1	3.25	
	3-1-3	53165-AGF1-E00	GRIP R. HANDLE	GRIP R. HANDLE	1	3.25	
	3-1-2	53166-AGF1-E00	GRIP L. HANDLE	GRIP L. HANDLE	1	3.25	
	3-1-4	5317B-LBE1-E70	BRAKE LEVER	BRAKE LEVER	1	16.25	
	3-1-9	88110-AGA1-E00	MIRROR ASSY R BACK	MIRROR ASSY R BACK	1	22.75	
	3-1-10	88120-AGF1-E00	MIRROR ASSY. L BACK	MIRROR ASSY. L BACK	1	22.75	
	3-1-8	94001-06060-0S	NUT HEX 6MM	NUT HEX 6MM	2	3.25	
	3-1-7	95701-06040-08G	BOLT FLANGE 6*40	BOLT FLANGE 6*40	2	3.25	



Sales mark	Ref no	Part no	Description	Reg description	Regd no	Ref Price	F14
	3-2-6	36100-AGF1-E00	PCB CONTROLLER BOARD	PCB CONTROLLER BOARD	1	45.50	
**	3-2-3	37203-AGF1-E00	COVER METER	COVER METER	1	11.70	
	3-2-7	37204-AGF1-E00	MAT METER	MAT METER	1	13.00	
**	3-2-1	64301-AGF1-E00	COVER FR.	COVER FR.	1		
**	3-2-2	81131-AGF2-E00	LEG SHIELD	LEG SHIELD	1	16.25	
	3-2-5	90101-SDA4-001	SCREW TAPPING 4*12	SCREW TAPPING 4*12	11	3.25	
	3-2-4	90302-SDA4-004	NUT SPRING 4MM **SA4-0040	NUT SPRING 4MM **SA4-0040	9	0.26	
							

F15

Throttle Lever

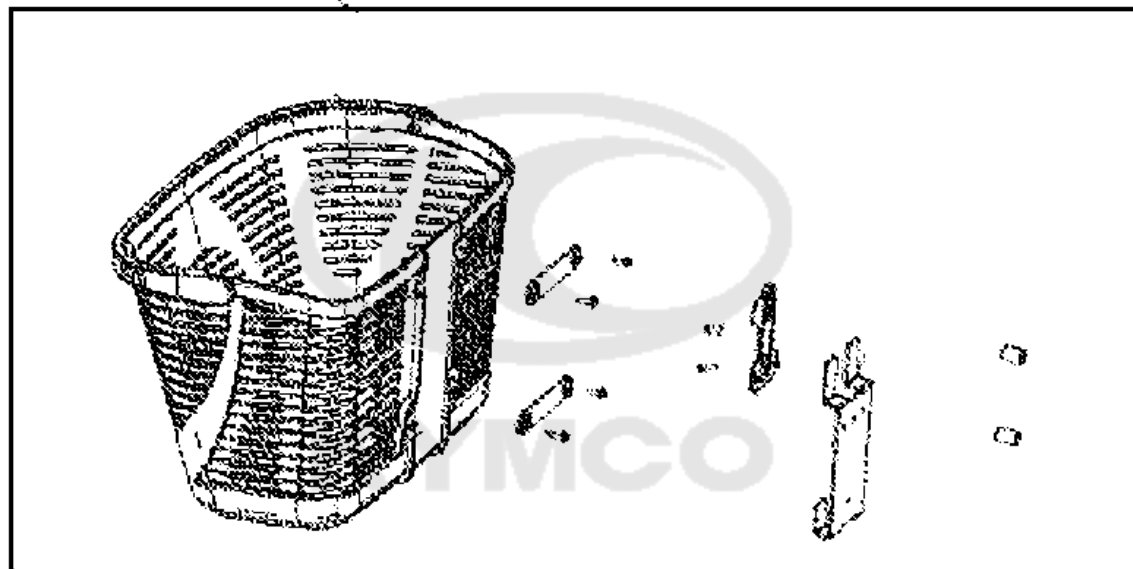


Sales mark	Ref no	Part no	Description	Reg description	Regd no	Ref Price	F15
	3-3-14	31800-AGF1-E00	BATTERY CHARGER ASS'Y	BATTERY CHARGER ASS'Y	1	70.00	
	3-3-6	32101-AGF1-E00	USB CORE	USB CORE	1	13.00	
	3-3-5	32620-AGF1-E00	SOCKET CHARGER	SOCKET CHARGER	1	6.50	
	3-3-12	33400-AGF1-E00	WINKER ASSY. R. FR	WINKER ASSY. R. FR	1	13.00	
	3-3-13	33450-AGF1-E00	WINKER ASSY. L. FR	WINKER ASSY. L. FR	1	13.00	
	3-3-7	35010-AGF1-E00	MAIN KEY	MAIN KEY	1	16.25	
	3-3-10	35110-AGF1-E00	SW UNIT SPEED	SW UNIT SPEED	1	3.25	
	3-3-9	35115-AGF1-E00	VARIABLE RESISTER 20K	VARIABLE RESISTER 20K	1	13.00	
	3-3-15	35160-AGF2-E00	SW. UNIT SPEED	SW. UNIT SPEED	1	6.50	
	3-3-11	35180-AGF1-E00	SW UNIT HORN	SW UNIT HORN	1	6.50	
	3-3-3	36101-AGF1-E00	THROTTLE ASSY	THROTTLE ASSY	1	32.50	
	3-3-1	36109-AGF1-E00	LEVER THROTTLE	LEVER THROTTLE	1	13.00	
	3-3-8	37806-AGF1-E00	UV METER	UV METER	1	13.00	
	3-3-2	90102-KGN7-911	SCREW TAPPING 4*14	SCREW TAPPING 4*14	4	3.25	
	3-3-4	94111-04800	WASHER SPRING 4MM	WASHER SPRING 4MM	2	0.17	

F16

Basket

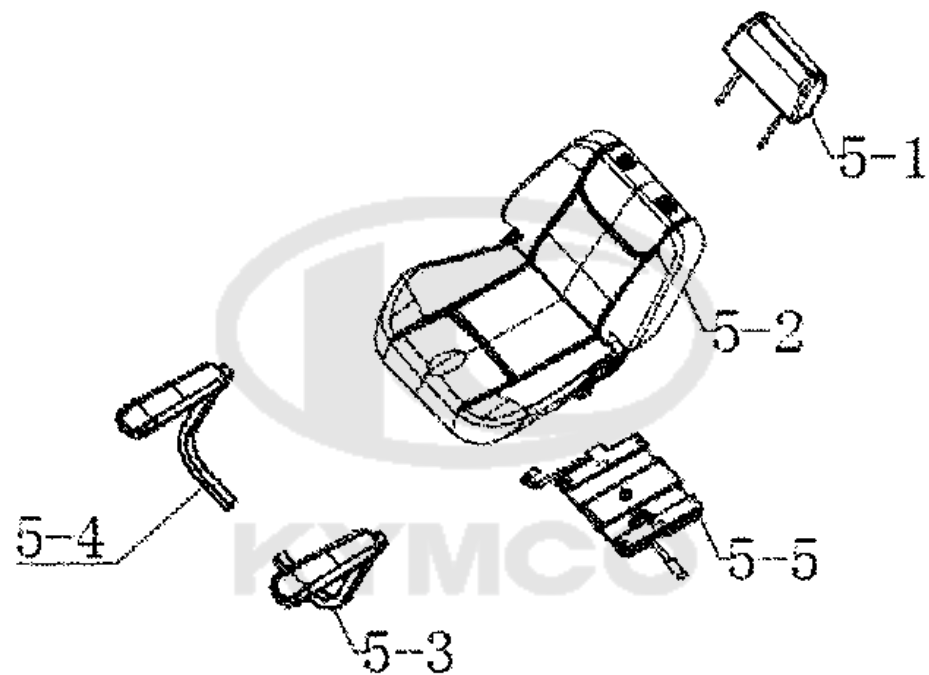
4-1



Sales mark	Ref no	Part no	Description	Reg description	Regd no	Ref Price	F16
------------	--------	---------	-------------	-----------------	---------	-----------	------------

4-1	50150-AGF1-E00	BASKET	BASKET		1	18.25	
-----	----------------	--------	--------	--	---	-------	--

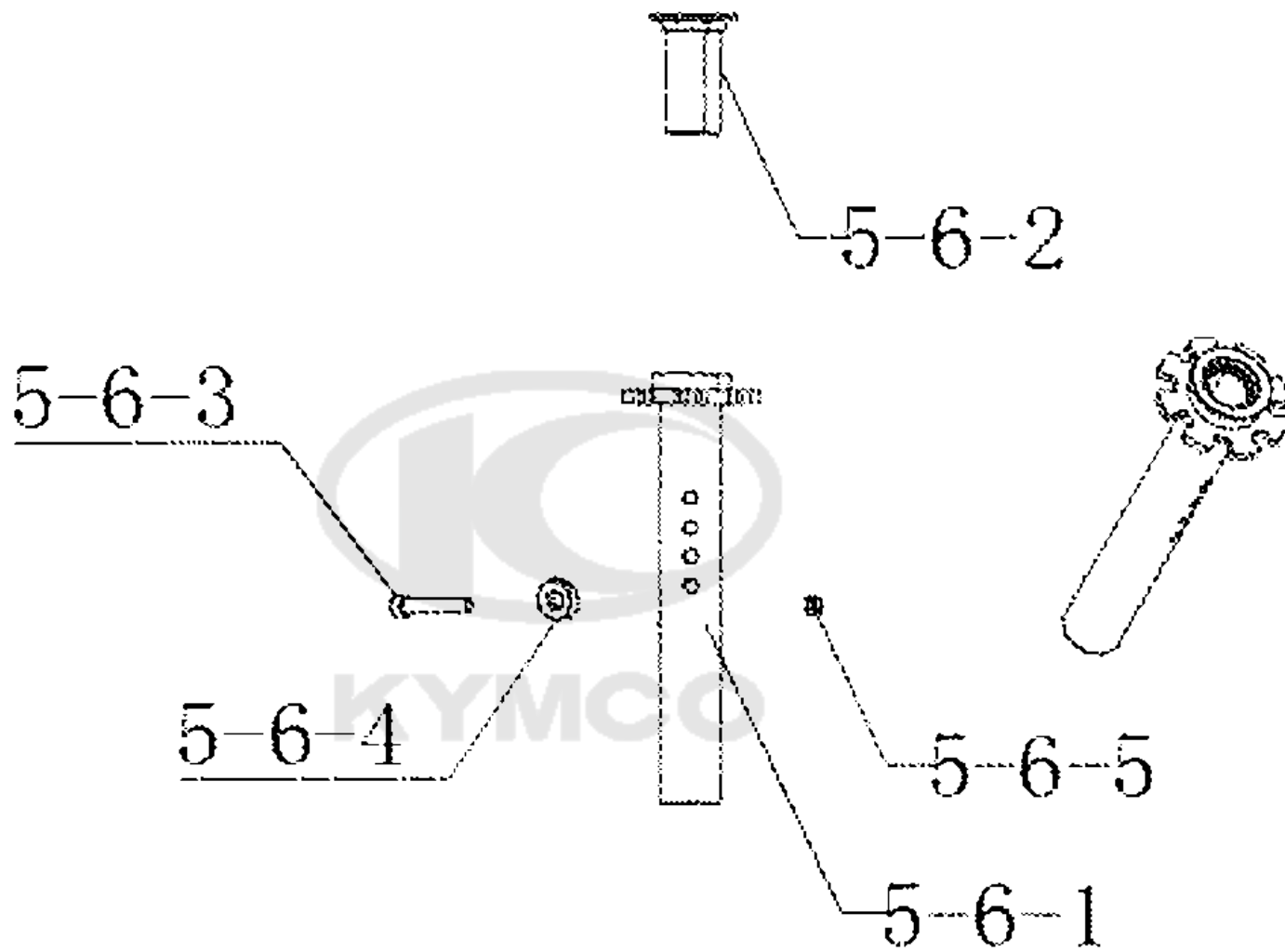




Sales mark	Ref no	Part no	Description	Reg description	Regd no	Ref Price	F17
------------	--------	---------	-------------	-----------------	---------	-----------	------------

5-4		77100-AGF1-E00	ARM REST ASSY. R/H	ARM REST ASSY. R/H	1	32.20	
5-2		77230-AGF1-E00	BACK SEAT COMP	BACK SEAT COMP	1	214.50	
5-1		77240-AGF1-E00	PILLOW COMP	PILLOW COMP	1	32.50	
5-5		77250-AGF1-E00	BASE ASSY. SEAT	BASE ASSY. SEAT	1	55.25	
5-3		77300-AGF1-E00	ARM REST ASSY. L/H	ARM REST ASSY. L/H	1	32.20	

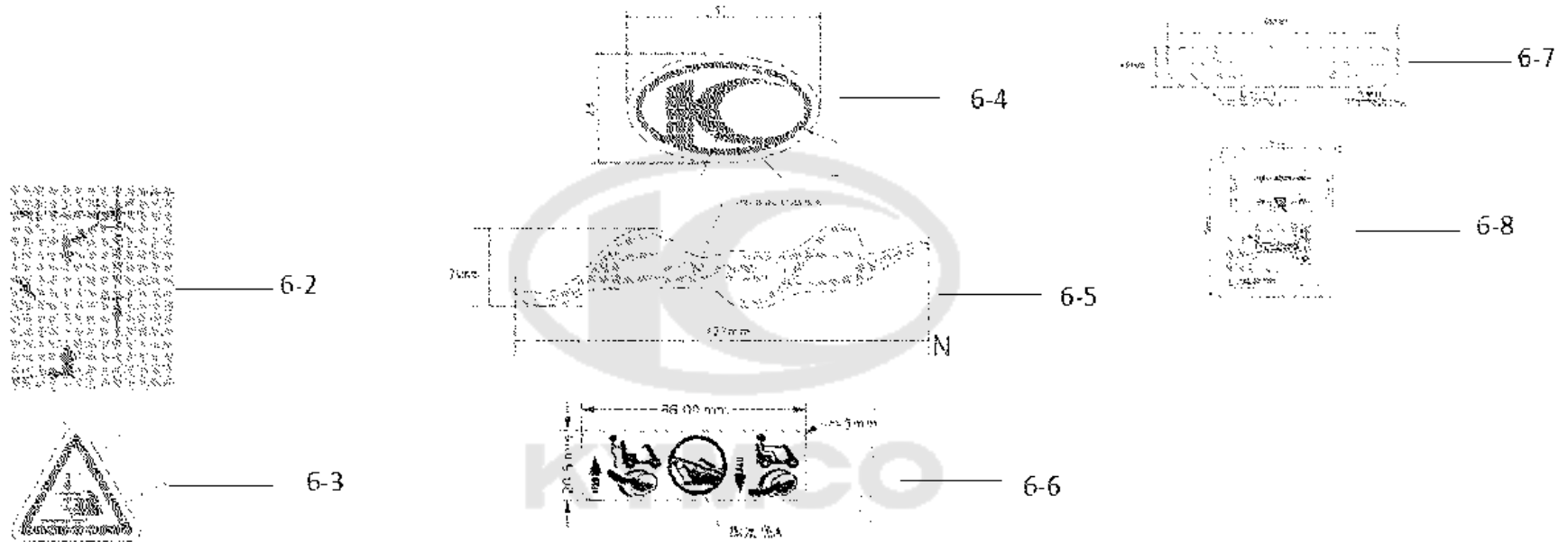




Sales mark	Ref no	Part no	Description	Reg description	Regd no	Ref Price	F18
------------	--------	---------	-------------	-----------------	---------	-----------	------------

5-6-1		53135-AGF1-E00	PIPE B, SEAT SET	PIPE B, SEAT SET	1	13.00	
5-6-2		53136-AGF1-E00	RUBBER SEAT SET	RUBBER SEAT SET	1	6.50	
5-6-3		53193-AGF1-E00	NUT FIXING	NUT FIXING	1	3.25	
5-6-5		94001-08060-0S	NUT HEX 8MM	NUT HEX 8MM	1	52.00	
5-6-4		95701-08060-08G	BOLT FLANGE 8*60	BOLT FLANGE 8*60	1	3.25	





Sales mark	Ref no	Part no	Description	Reg description	Regd no	Ref Price	F19
**	6-5	86101-AGF1-E20	STRIPE FR COVER	STRIPE FR COVER	1	3.25	
**	6-4	86102-LCA5-900	EMB K-LOGO 30MM (PP)	EMB K-LOGO 30MM (PP)	1	3.25	
**	6-6	87501-LED5-910	USE CAUTION	USE CAUTION	1	3.25	
**	6-8	87502-AGF1-E00	LABEL ELEC CONTROL UNIT	LABEL ELEC CONTROL UNIT	1	3.25	
**	6-3	87541-LAE9-E00	CAUTION LOCK **E00	CAUTION LOCK **E00	1	3.25	
**	6-7	87560-LAC5-900	MARK DRIVE CAUTION	MARK DRIVE CAUTION	1	3.25	
**	6-2	87562-AGF2-E00	LABEL SPEED SW	LABEL SPEED SW	1		



PART NO. INDEX

PART NO.	VERSION	PAGE	PART NO.	VERSION	PAGE	PART NO.	VERSION	PAGE
10000			33450-AGF1-E00	0	F15			
			33500-AGF1-E00	0	F08	42000		
			33700-AGF1-E00	0	F08			
1000A-AGF1-E00	0	F10	33741-AGF1-E00	0	F07	42500-AGF1-E00	0	F09
						42600-AGF1-E00	0	F09
31000			35000			42800-AGF1-E00	0	F11
31300-AGF2-E00	0	F10	35010-AGF1-E00	0	F15	43000		
31350-AGF1-E00	0	F10	35110-AGF1-E00	0	F15			
31400-AGF2-E00	0	F08	35115-AGF1-E00	0	F15	43200-AGF1-E00	0	F09
31500-AGF1-E00	0	F08	35160-AGF2-E00	0	F15	43210-AGF1-E00	0	F09
31510-AGF1-E00	0	F05	35180-AGF1-E00	0	F15	43351-AGF1-E00	0	F09
31511-AGF1-E00	0	F05				43450-AGF1-E00	0	F13
31800-AGF1-E00	0	F15	36000			44000		
			36000-AGF1-E00	0	F08			
32000			36100-AGF1-E00	0	F14	44315-AGF1-E00	0	F03
32100-AGF1-E00	0	F08	36101-AGF1-E00	0	F15	44315-AGF1-E00	0	F09
32101-AGF1-E00	0	F15	36109-AGF1-E00	0	F15	44500-AGF1-E00	0	F03
32201-AGF1-E00	0	F08				44600-AGF1-E00	0	F03
32202-AGF1-E00	0	F08	37000			44620-AGF1-E00	0	F03
32620-AGF1-E00	0	F15				44701-AGF1-E00	0	F03
			37203-AGF1-E00	0	F14	44702-AGF1-E00	0	F03
33000			37204-AGF1-E00	0	F14	44710-AGF1-E00	0	F03
33400-AGF1-E00	0	F15	37806-AGF1-E00	0	F15			

PART NO. INDEX

PART NO.	VERSION	PAGE	PART NO.	VERSION	PAGE	PART NO.	VERSION	PAGE
47000			53000			64316-AGF1-E00	0	F07
47401-AGF1-E00	0	F02	53101-AGF1-E00	0	F13	64340-AGF1-E00	0	F07
47501-AGF1-E00	0	F02	53102-AGF1-E00	0	F01	77000		
50000			5310A-AGF1-E00	0	F13	77100-AGF1-E00	0	F17
50100-AGF1-E00	0	F05	5311A-AGF1-E00	0	F13	77230-AGF1-E00	0	F17
50150-AGF1-E00	0	F16	53135-AGF1-E00	0	F18	77240-AGF1-E00	0	F17
50162-AGF1-E00	0	F05	53136-AGF1-E00	0	F18	77250-AGF1-E00	0	F17
50169-AGF1-E00	0	F06	53165-AGF1-E00	0	F13	77300-AGF1-E00	0	F17
50231-AGF1-E00	0	F11	53166-AGF1-E00	0	F13	80000		
50305-AGF1-E00	0	F10	5317B-LBE1-E70	2	F13	80100-AGF1-E00	0	F07
5030A-AGF1-E00	0	F01	53193-AGF1-E00	0	F18	81000		
50310-LAC5-900	4	F05	53200-AGF1-E00	0	F01	81131-AGF2-E00	0	F14
50350-AGF1-E00	0	F10	53400-AGF1-E00	0	F02	83000		
51000			53402-AGF1-E00	0	F02	83500-AGF1-E00	0	F07
51400-AGF1-E00	0	F04	53403-AGF1-E00	0	F02	83551-LBE1-900	1	F05
52000			53500-AGF1-E00	0	F02	83600-AGF1-E00	0	F07
52110-AGF1-E00	0	F11	53800-AGF1-E00	0	F02	83750-AGF1-E00	0	F07
52400-AGF1-E00	0	F12	53805-AGF1-E00	0	F02			
			64000					
			64301-AGF1-E00	0	F14			
			64310-AGF1-E00	0	F07			
			64311-AGF1-E00	0	F07			

PART NO. INDEX

PART NO.	VERSION	PAGE	PART NO.	VERSION	PAGE	PART NO.	VERSION	PAGE
85000 85104-AGF1-E00	0	F06	90102-AGF1-E00	0	F11	94111-04800	0	F15
			90102-KGN7-911	0	F15	94111-06800	0	F03
			90302-SDA4-004	3	F14	94111-08600	0	F02
			90653-LKB9-900	1	F07	94111-10800	0	F02
			90661-AGF1-E00	0	F05			
86000			93000			95000		
86101-AGF1-E20	0	F19				95701-06016-08G	1	F07
86102-LCA5-900	4	F19	93903-14360	0	F07	95701-06035-06	1	F11
87000			93903-25560	0	F07	95701-06035-08G	1	F01
			93903-45360	0	F07	95701-06040-08G	0	F13
						95701-08030-06	0	F02
						95701-08040-08G	0	F09
87501-LED5-910	1	F19	94000			95701-08040-08G	0	F12
87502-AGF1-E00	0	F19				95701-08060-06	0	F11
87541-LAE9-E00	1	F19	94001-06060-0S	0	F01	95701-08060-08G	0	F18
87560-LAC5-900	4	F19	94001-06060-0S	0	F05	95701-10020-06	0	F03
87562-AGF2-E00	0	F19	94001-06060-0S	0	F06	95801-06030-08G	0	F06
88000			94001-06060-0S	0	F13	95801-08030-06	0	F04
			94001-08060-0S	0	F11	95801-08030-06	0	F02
			94001-08060-0S	0	F18	95801-10055-06	0	F02
			94050-06060	1	F11	95801-10055-08G	0	F11
88110-AGA1-E00	0	F13	94050-08060	0	F10	95801-10075-06	0	F02
88120-AGF1-E00	0	F13	94101-06800	0	F01			
90000			94101-08800	0	F02			
			94101-08800	0	F02			
			94101-08800	0	F11			
90101-SDA4-001	0	F14	94101-08800	0	F11			

PART NO. INDEX

PART NO.	VERSION	PAGE	PART NO.	VERSION	PAGE	PART NO.	VERSION	PAGE
96000								
96130-69020-00	0	F03						
96700-06025-06	1	F03						

