

# PARTS CATALOGUE



## MOBILITY SCOOTER

EQ40DF(UK)

MAXER



Release Date : 2019/07/17  
Print Date : 2019/11/01

## ABOUT THIS PARTS LIST

- This parts list is compiled all service parts for model EQ40DF(UK).
- Any difference between color chart and motorcycle will be revised according to motorcycle.
- The Mark:
  1. Marking "\*\*\*" must add color code in the end before ordering parts.
  2. Marking "#" are parts with modification, Please find the details from e-Parts system.
- When modification or additions to this parts list are made a revised edition at an appropriate time.



# CONTENTS

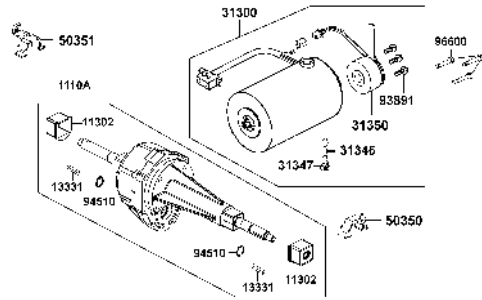
● ABOUT THIS PARTS LIST .....	1
● COLOR CHART OF EQ40DF(UK) .....	3
● CONTENTS-ENGINE GROUP .....	5
● CONTENTS-FRAME GROUP .....	6
● ENGINE PARTS LIST .....	8
● FRAME PARTS LIST .....	10
● PART NO. INDEX .....	50

NO	MODEL			COLOR CHART OF EQ40DF(UK)			
	PHOTO NO			NO. 1	NO. 2	NO. 3	NO. 4
	BASIC COLOR			Bright Blue	Black	Flame Orange	Shining Orange
	CODE			Bright Blue	Black	Flame Orange	Shining Orange
	PARTS NAME	PARTS NO.	VERSION	PB107MA	NH001SA	YR177MA	YR177MA
1	COVER FRONT	64301-ABA5-E00	0	BAP	N1P	X4P	
2	COVER FLOOR FR	64340-ABA5-E00	0				
3	COVER BODY LOW	83600-ABA5-E00	0				
4	BUMPER FR	64302-ABA5-E00	0				
5	PANEL FLOOR	64310-ABA5-E00	0	N1R			
6	PLUG FLOOR	64316-ABA5-E00	0				
7	PLUG FLOOR	64316-ABA5-E01	1				
8	LEG SHIELD	81131-ABA5-E00	0				
9	LEG SHIELD LOW	81141-ABA5-E00	0				
10	COVER RR TIRE	83750-ABA5-E00	0				
11	METER ASSY SPEED	37200-ABA5-E20	9		N2R		
12	COVER FRONT UP	64303-ABA5-E00	0		N8P		
13	COVER BODY UP	83500-ABA5-E00	1				
14	MIRROR ASSY R BACK	88110-LBE1-800	2				
15	MIRROR ASSY L BACK	88120-LBE1-800	2				
16	SEAT ASSY.	77200-ABA5-E00	6	T01			
17	EMB MARK KYMCO	87206-ABA5-E00	1				
18	EMB MARK KYMCO	87206-LGE5-E00	1				
19	LABEL BATTERY	87508-ABA5-E00	0				
20	MAR DRIVE CAUTION	87560-LAC5-900	4				
21	USE CAUTION	87501-LED5-910	1		T02		
22	EMB K-LOGO '30MM	86102-LCA5-900	4		T03		
23	CUSHION ASSY FR	51400-ABA5-E20	2		YJS		
24	CUSHION ASSY RR	52400-AGG5-E20	1				
DATE OF STARTING-SALES							
DATE OF END-SALES							

NO	MODEL			COLOR CHART OF EQ40DF(UK)			
	PHOTO NO			NO. 5			
	BASIC COLOR			Brown Crystal			
	CODE			Brown Crystal			
	PARTS NAME	PARTS NO.	VERSION	YR167MA			
1	COVER FRONT	64301-ABA5-E00	0	YZP			
2	COVER FLOOR FR	64340-ABA5-E00	0				
3	COVER BODY LOW	83600-ABA5-E00	0				
4	BUMPER FR	64302-ABA5-E00	0				
5	PANEL FLOOR	64310-ABA5-E00	0				
6	PLUG FLOOR	64316-ABA5-E00	0	N1R			
7	PLUG FLOOR	64316-ABA5-E01	1				
8	LEG SHIELD	81131-ABA5-E00	0				
9	LEG SHIELD LOW	81141-ABA5-E00	0				
10	COVER RR TIRE	83750-ABA5-E00	0				
11	METER ASSY SPEED	37200-ABA5-E20	9	N2R			
12	COVER FRONT UP	64303-ABA5-E00	0	N8P			
13	COVER BODY UP	83500-ABA5-E00	1				
14	MIRROR ASSY R BACK	88110-LBE1-800	2				
15	MIRROR ASSY L BACK	88120-LBE1-800	2				
16	SEAT ASSY.	77200-ABA5-E00	6				
17	EMB MARK KYMCO	87206-ABA5-E00	1	T01			
18	EMB MARK KYMCO	87206-LGE5-E00	1				
19	LABEL BATTERY	87508-ABA5-E00	0				
20	MAR DRIVE CAUTION	87560-LAC5-900	4				
21	USE CAUTION	87501-LED5-910	1		T02		
22	EMB K-LOGO '30MM	86102-LCA5-900	4	T03			
23	CUSHION ASSY FR	51400-ABA5-E20	2	YJS			
24	CUSHION ASSY RR	52400-AGG5-E20	1				
DATE OF STARTING-SALES							
DATE OF END-SALES							

# CONTENTS - ENGINE GROUP

**E01** Motor

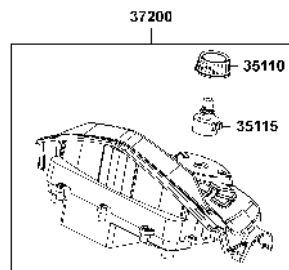


## CONTENTS - FRAME GROUP

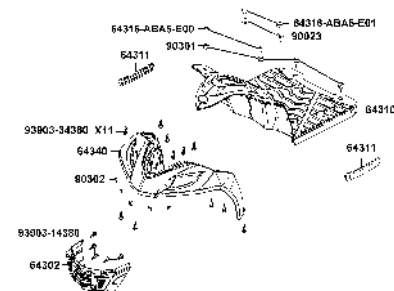
**F01** Handle Steering



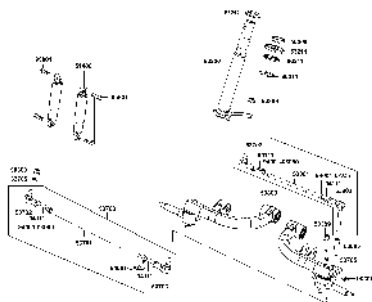
**F02** METER ASSY SPEED



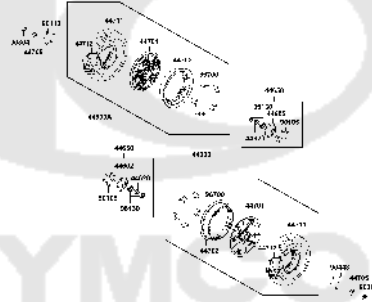
**F03** Floor



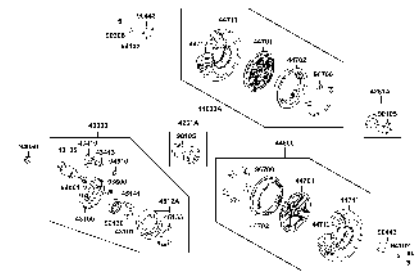
**F04** Steering Stem



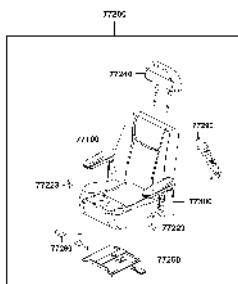
**F05** Front Wheel



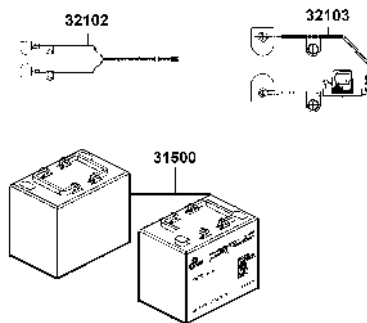
**F06** Rear Wheel



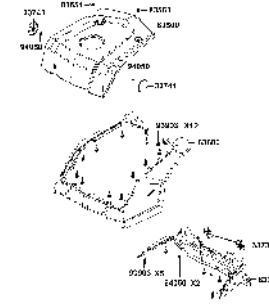
**F07** Seat



**F08** Battery



**F09** Body Cover



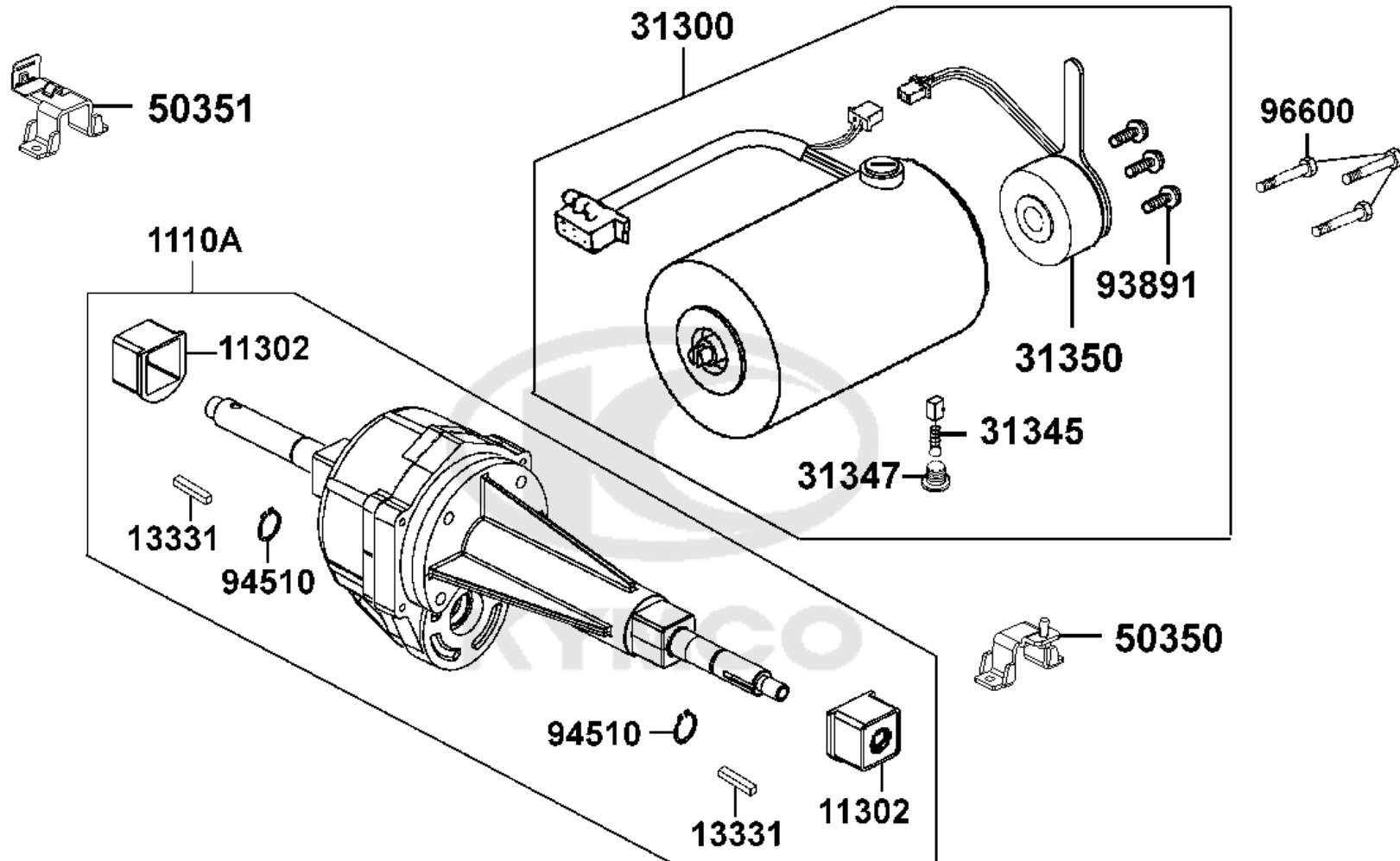
**CONTENTS - FRAME GROUP**

<p><b>F10</b>    Winker Assy RH</p>	<p><b>F11</b>    Harness Wire</p>	<p><b>F12</b>    Frame Body</p>
<p><b>F13</b>    Caution Label</p>	<p><b>F14</b>    Emblem Stripe</p>	<p><b>F15</b>    KEY</p>



E01

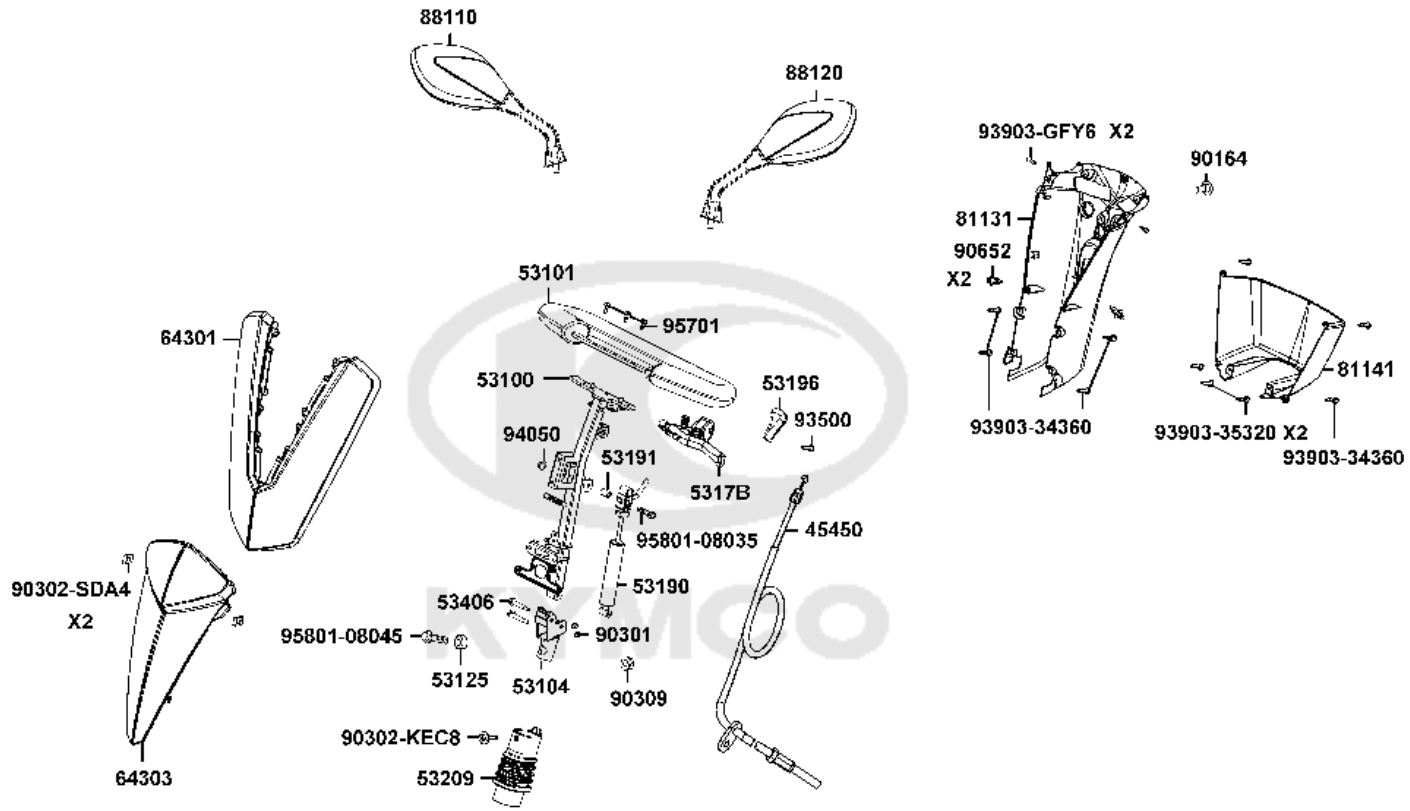
Motor



Sales mark	Ref no	Part no	Description	Reg description	Regd no	Ref Price	E01
	1110A	1110A-AGG5-E20	MISSION ASSY	MISSION ASSY	1		
	11302	11302-LAC5-900	RUBBER	RUBBER	2	6.50	
	13331	13331-LAC5-900	KEY 4.8*4.8*30	KEY 4.8*4.8*30	2	3.25	
	31300	31300-AGG5-E20	MOTOR ASSY	MOTOR ASSY	1	227.50	
	31345	31345-AGG5-305	BRUSH	BRUSH	2		
	31347	31347-AGG5-305	CAP BRUSH	CAP BRUSH	1		
	31350	31350-AGG5-305	BRAKE ASSY	BRAKE ASSY	1		
	50350	50350-ABA5-E20	CONNECTOR MISSION L	CONNECTOR MISSION L	1	5.20	
	50351	50351-ABA5-E20	CONNECTOR MISSION R	CONNECTOR MISSION R	1	3.25	
	93891	93891-04012-06	SCREW WASHER 4*12	SCREW WASHER 4*12	3	0.13	
	94510	94510-19000	CIRCLIP EX 1.9	CIRCLIP EX 1.9	4	2.12	
	96600	96600-AGG5-E20	SOCKET BOLT 6*65	SOCKET BOLT 6*65	3		

F01

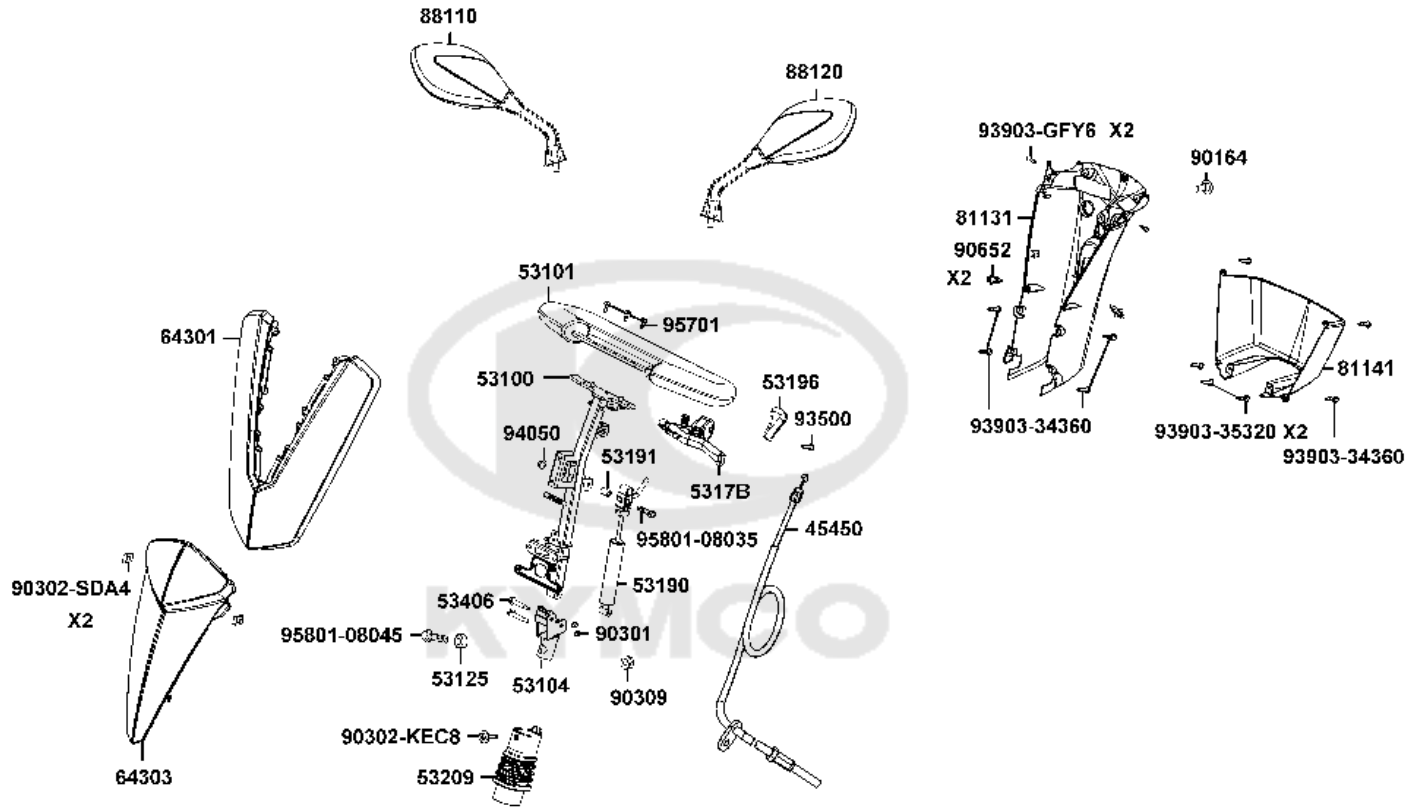
# Handle Steering



Sales mark	Ref no	Part no	Description	Reg description	Regd no	Ref Price	F01
	45450	45450-LBE1-900	BRAKE CABLE- MAXI RANGE/ MAXER	BRAKE CABLE- MAXI RANGE/ MAXER	1	7.80	
	53100	53100-ABA5-E20	HANDLE COMP TILLER	HANDLE COMP TILLER	1	81.25	
	53101	53101-ABA5-E20	HANDLE GRIP	HANDLE GRIP	1	81.25	
	53104	53104-LED3-900	"STAY COMP ,HANDLE"	"STAY COMP ,HANDLE"	1	11.70	
	53125	53125-LAC5-900	COLLAR HANDLE SET	COLLAR HANDLE SET	1	3.25	
	5317B	5317B-LED4-900	LEVER ASSY HANDLE LH	LEVER ASSY HANDLE LH	1	9.75	
	53190	53190-LAC5-90A	ADJUSTER HANDLE/ Gas strut	ADJUSTER HANDLE/ Gas strut	1	29.25	
	53191	53191-LAC5-900	COLLAR ADJUSTER	COLLAR ADJUSTER	1	1.33	
	53196	53196-LAC5-900	BLACK GRIP	BLACK GRIP	1	3.21	
	53209	53209-LAC5-900	COVER DUST	COVER DUST	1	11.70	
	53406	53406-LAC5-900	BOLT HANDLE SET	BOLT HANDLE SET	1	3.25	
**	64301	64301-ABA5-E00	COVER FRONT	COVER FRONT	1	42.25	
**	64303	64303-ABA5-E00	COVER FRONT UP	COVER FRONT UP	1	16.25	
**	81131	81131-ABA5-E00	LEG SHIELD-MAXER/ AGILITY- BLACK	LEG SHIELD-MAXER/ AGILITY- BLACK	1	50.00	
**	81141	81141-ABA5-E00	LEG SHIELD LOW	LEG SHIELD LOW	1	19.10	
**	88110	88110-LBE1-800	MIRROR ASSY R BACK	MIRROR ASSY R BACK	1	22.75	
**	88120	88120-LBE1-800	MIRROR ASSY L ALT 88120-LAC7-910-	MIRROR ASSY L ALT 88120-LAC7-910-	1	22.75	
	90164	90164-MDR4-901	SCREW SPECIAL 6MM	SCREW SPECIAL 6MM	1	1.05	
	90301	90301-4C73-004	NUT U 6MM **473-0040 C.2005.03.01	NUT U 6MM **473-0040 C.2005.03.01	2	0.25	
	90302-KEC8	90302-KEC8-910	BOLT PAN 5*9	BOLT PAN 5*9	2	3.25	

F01

# Handle Steering

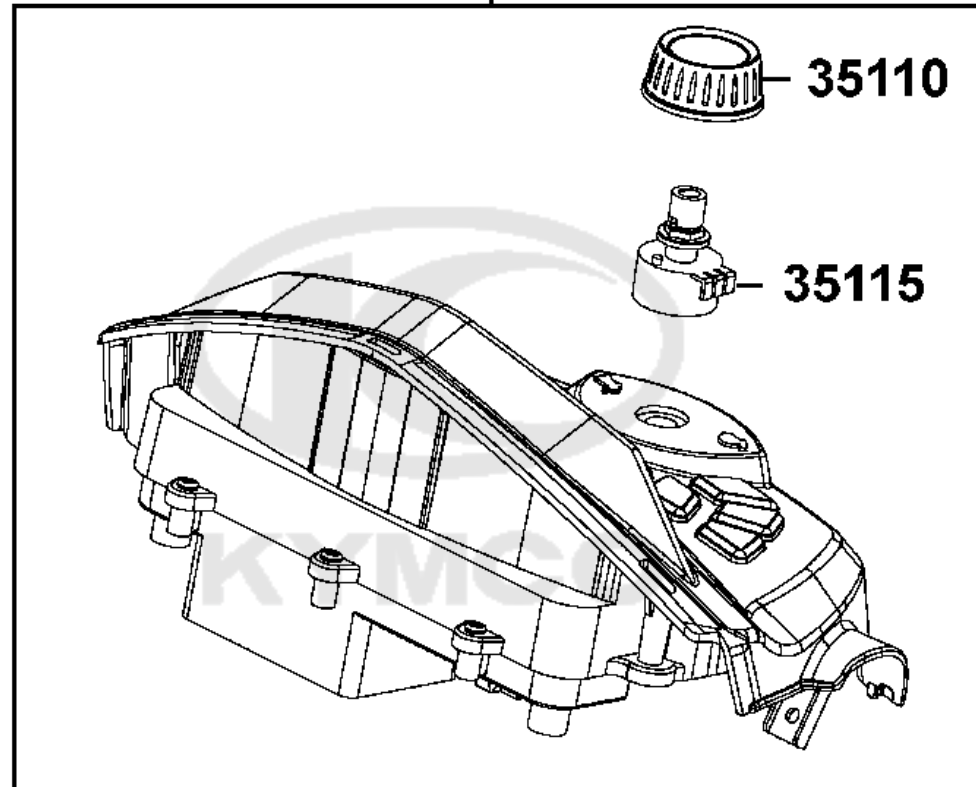


Sales mark	Ref no	Part no	Description	Reg description	Regd no	Ref Price	F01
	90302-SDA4	90302-SDA4-004	NUT SPRING 4MM **SA4-0040	NUT SPRING 4MM **SA4-0040	1	0.26	
	90309	90309-LDB4-90A	NUT U FLANGE 8MM	NUT U FLANGE 8MM	1	3.25	
	90652	90652-LFB5-900	CLIP MUDGUARD	CLIP MUDGUARD	2	3.25	
	93500	93500-04010-0HG	SCREW PAN 4*10	SCREW PAN 4*10	1	3.25	
	93903-34360	93903-34360	SCREW TAPPING 4*12	SCREW TAPPING 4*12	12	0.50	
	93903-35320	93903-35320-G	SCREW TAPPING 5*16	SCREW TAPPING 5*16	4		
	93903-GFY6	93903-GFY6-910	BOLT-WASH 5*12	BOLT-WASH 5*12	2	3.25	
	94050	94050-08080-G	NUT FLANGE 8MM (C)	NUT FLANGE 8MM (C)	1	0.49	
	95701	95701-06020-06	BOLT FLANGE 6*20	BOLT FLANGE 6*20	1	0.50	
	95801-08035	95801-08035-06	BOLT FLANGE 8*35 **LLJ1-900	BOLT FLANGE 8*35 **LLJ1-900	1	0.36	
	95801-08045	95801-08045-08G	BOLT FLANGE 8*45	BOLT FLANGE 8*45	1	0.49	

F02

METER ASSY SPEED

37200

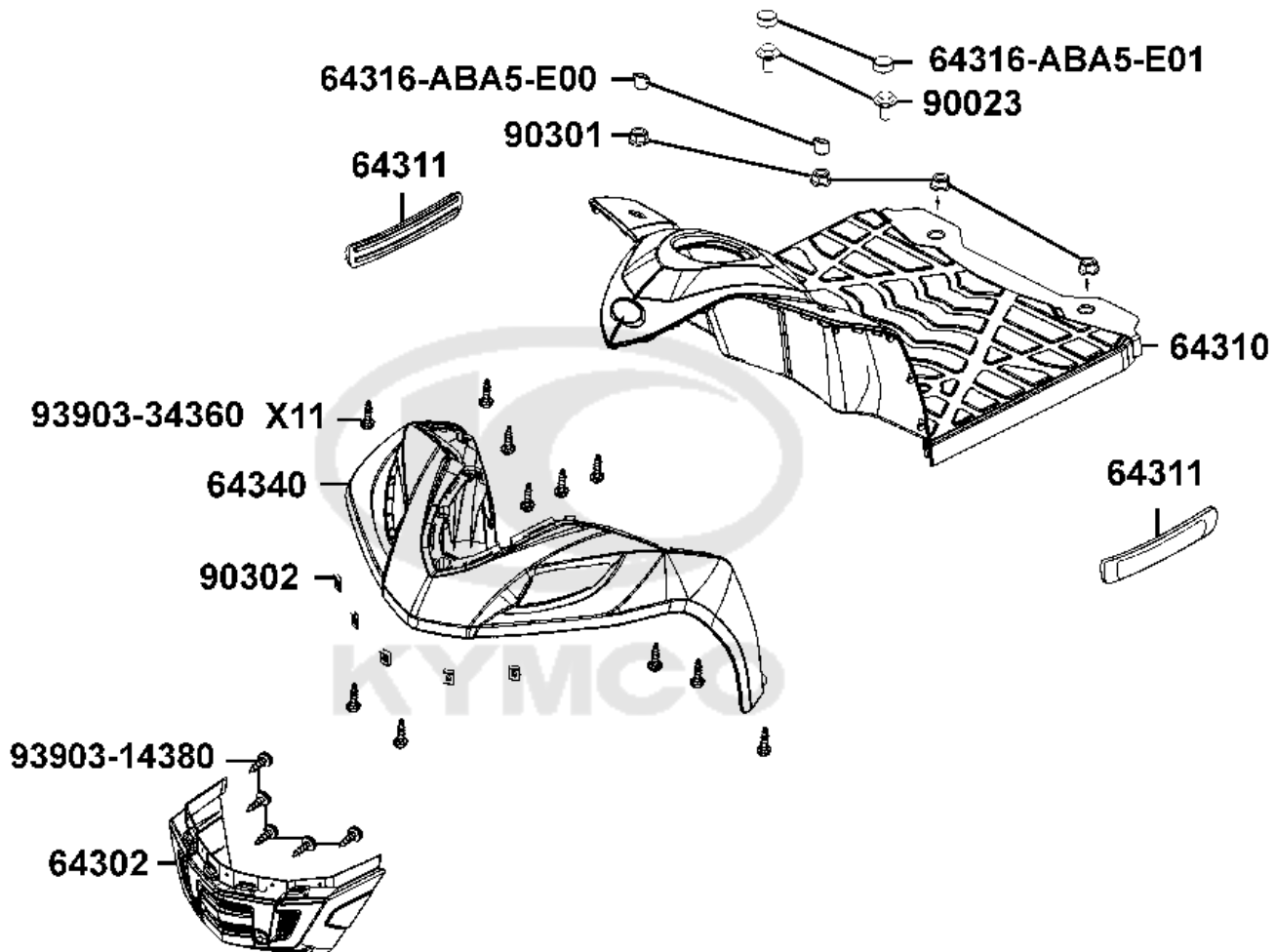


Sales mark	Ref no	Part no	Description	Reg description	Regd no	Ref Price	<b>F02</b>
------------	--------	---------	-------------	-----------------	---------	-----------	------------

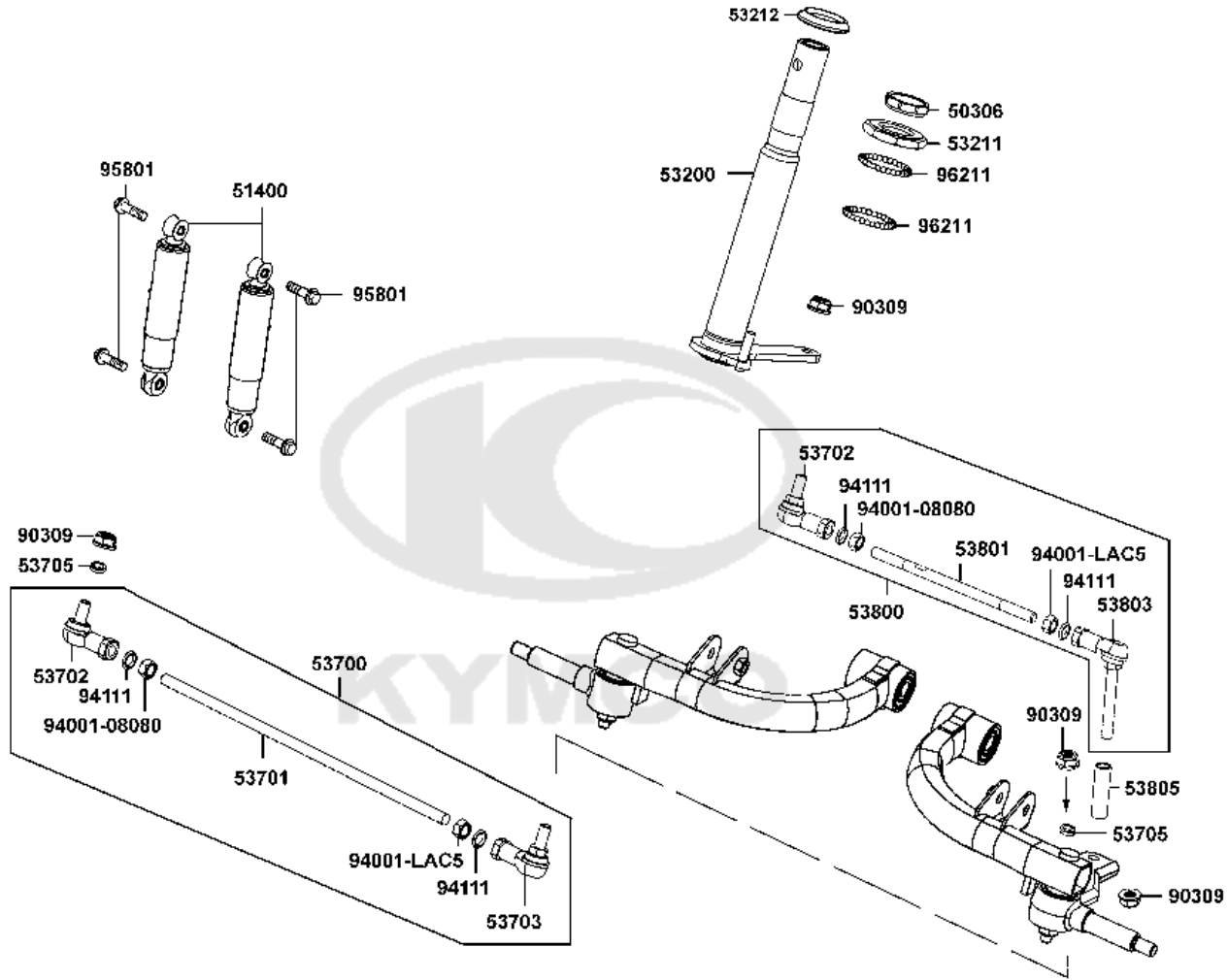
	35110	35110-ABA5-E20	SPEED KNOB	SPEED KNOB	1	3.25	
	35115	35115-ABA5-E20	SPEED POT	SPEED POT	1	13.00	
**	37200	37200-ABA5-E20	METER ASSY SPEED	METER ASSY SPEED	1	122.20	







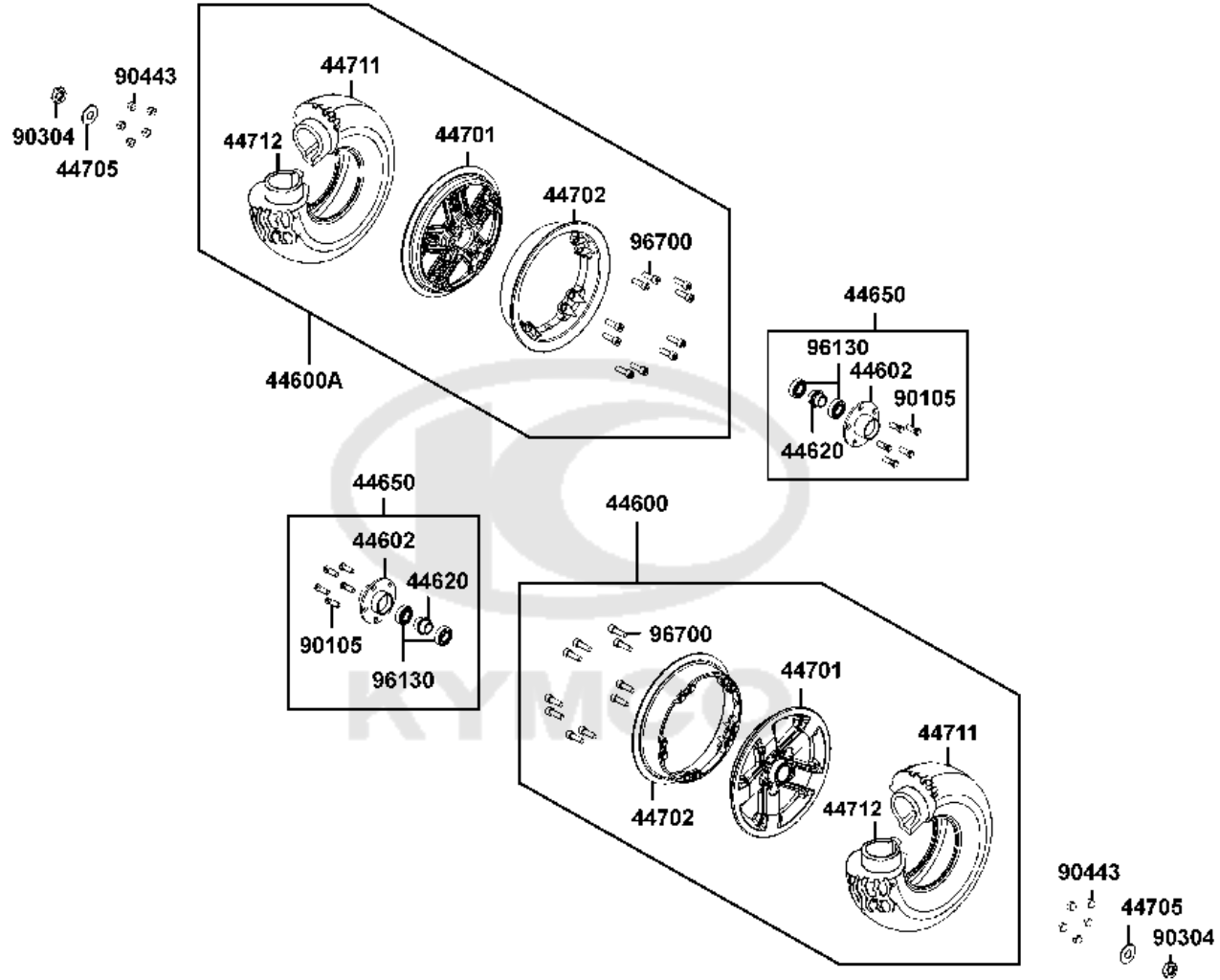
Sales mark	Ref no	Part no	Description	Reg description	Regd no	Ref Price	F03
**	64302	64302-ABA5-E00	FRONT PLASTIC BUMPER- MAXER-	FRONT PLASTIC BUMPER- MAXER-	1	11.72	
**	64310	64310-ABA5-E00	FLOOR PANEL- MAXER - BLACK MATT	FLOOR PANEL- MAXER - BLACK MATT	1	65.00	
	64311	64311-ABA5-E00	MOLD A	MOLD A	2	3.25	
**	64316-ABA5-E00	64316-ABA5-E00	PLUG FLOOR	PLUG FLOOR	2	3.25	
**	64316-ABA5-E01	64316-ABA5-E01	PLUG FLOOR	PLUG FLOOR	2		
**	64340	64340-ABA5-E00	FR BODY PANEL- MAXER- FLAME	FR BODY PANEL- MAXER- FLAME	1	52.00	
	90023	90023-LAC5-001	BOLT SEAT LOCK 6X13.5	BOLT SEAT LOCK 6X13.5	2	3.25	
	90301	90301-LAC5-671	NUT FLANGE 6MM	NUT FLANGE 6MM	6	3.25	
	90302	90302-SDA4-004	NUT SPRING 4MM **SA4-0040	NUT SPRING 4MM **SA4-0040	1	0.26	
	93903-14380	93903-14380-G	SCREWTAPPING 4x12	SCREWTAPPING 4x12	5	3.25	
	93903-34360	93903-34360	SCREW TAPPING 4*12	SCREW TAPPING 4*12	11	0.50	



Sales mark	Ref no	Part no	Description	Reg description	Regd no	Ref Price	F04
	50306	50306-LDB4-001	NUT STRG STEM LOCK	NUT STRG STEM LOCK	1	5.20	
**	51400	51400-ABA5-E20	CUSHION ASSY FR	CUSHION ASSY FR	2	27.30	
	53200	53200-LBE1-920	STEM COMP STRG	STEM COMP STRG	1	14.95	
	53211	53211-LDB4-940	USE 53211-GFY6-940	USE 53211-GFY6-940	1	3.90	
	53212	53212-LDB4-004	ORDER 53212-GHC8-004	ORDER 53212-GHC8-004	1	3.25	
	53700	53700-ABA5-E20	ROD ASSY STEERING	ROD ASSY STEERING	1	16.25	
	53701	53701-ABA5-E20	ROD SWING ARM	ROD SWING ARM	1	16.25	
	53702	53702-ABA5-E20	BALL RH JOINT	BALL RH JOINT	2	16.25	
	53703	53703-ABA5-E20	BALL LH JOINT	BALL LH JOINT	2	16.25	
	53705	53705-LBE1-920	"COLLAR ,STEERING"	"COLLAR ,STEERING"	2	3.25	
	53800	53800-ABA5-E20	ROD ASSY STEERING	ROD ASSY STEERING	1	13.00	
	53801	53801-ABA5-E20	ROD STEERING	ROD STEERING	1	12.00	
	53803	53803-ABA5-E20	BALL LH JOINT STEM	BALL LH JOINT STEM	1	6.00	
	53805	53805-LBE1-920	"COLLAR ,STRG"	"COLLAR ,STRG"	1	3.25	
	90309	90309-LDB4-90A	NUT U FLANGE 8MM	NUT U FLANGE 8MM	3	3.25	
	94001-08080	94001-08080-0S	NUT HEX 8MM	NUT HEX 8MM	2	0.49	
	94001-LAC5	94001-LAC5-900	NUT HEX 8MM L	NUT HEX 8MM L	2	0.55	
	94111	94111-08800	WASHER SPRING 8MM	WASHER SPRING 8MM	4	0.33	
	95801	95801-08035-08G	BOLT FLANGE 8*35	BOLT FLANGE 8*35	4	3.25	
	96211	96211-05000	BALL BEARING PACK OF 100	BALL BEARING PACK OF 100	55	3.25	

F05

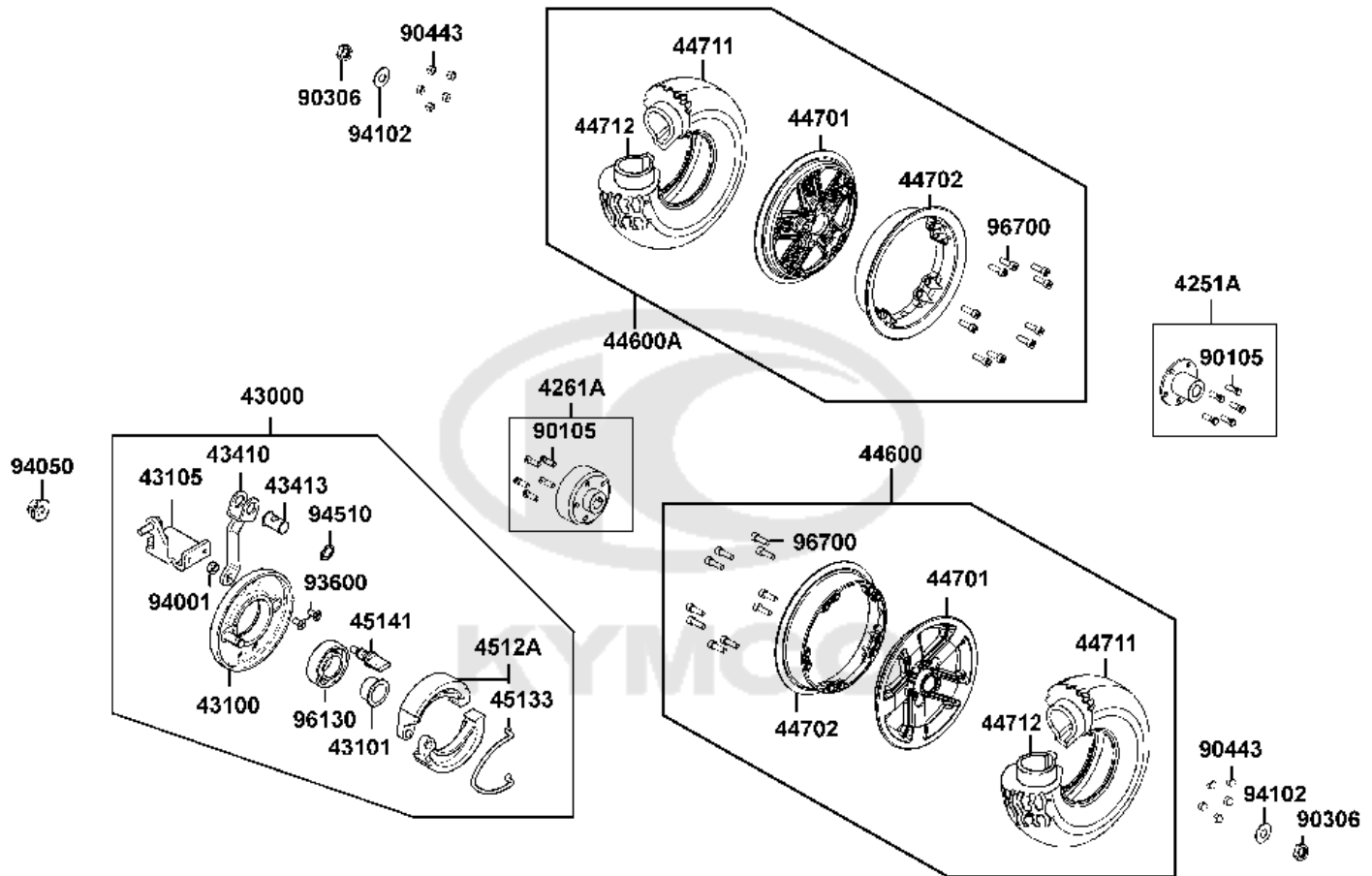
Front Wheel



Sales mark	Ref no	Part no	Description	Reg description	Regd no	Ref Price	F05
	44600	44600-ABA5-E20-L	WHEEL ASSY (L)	WHEEL ASSY (L)	1	70.00	
	44600A	44600-ABA5-E20-R	WHEEL ASSY (R)	WHEEL ASSY (R)	1	70.00	
	44602	44602-ABA5-E20	HUB COMP FR	HUB COMP FR	2	8.45	
	44620	44620-LBE1-900	DIST COLLAR FR WHEEL **(0)	DIST COLLAR FR WHEEL **(0)	2	3.25	
	44650	44650-ABA5-E20	HUB ASSY FR	HUB ASSY FR	2	22.75	
	44701	44701-ABA5-E20	RIM EXTR	RIM EXTR	2	24.70	
	44702	44702-ABA5-E20	RIM INTR	RIM INTR	1	19.50	
	44705	44705-LAC5-900	WASHER 12MM	WASHER 12MM	2	3.25	
	44711	44711-ABA5-E20	TIRE FR 3.00-8 BLACK PNEUMATIC	TIRE FR 3.00-8 BLACK PNEUMATIC	2	25.00	
	44712	44712-ABA5-E20	INNER TUBE 2.50-8	INNER TUBE 2.50-8	2	9.75	
	90105	90105-ABA5-E20	BOLT HUB 8X25	BOLT HUB 8X25	10	3.25	
	90304	90304-LDB4-90A	NUT U FLANGE 10MM	NUT U FLANGE 10MM	2	3.25	
	90443	90443-ABA5-E20	NUT CAP FLANGE	NUT CAP FLANGE	10	0.89	
	96130	96130-60020-10	BEARING BALL RADIAL 6002	BEARING BALL RADIAL 6002	4	5.28	
	96700	96700-08025-08	SOCKET BOLT 8*25	SOCKET BOLT 8*25	20	3.25	

F06

Rear Wheel

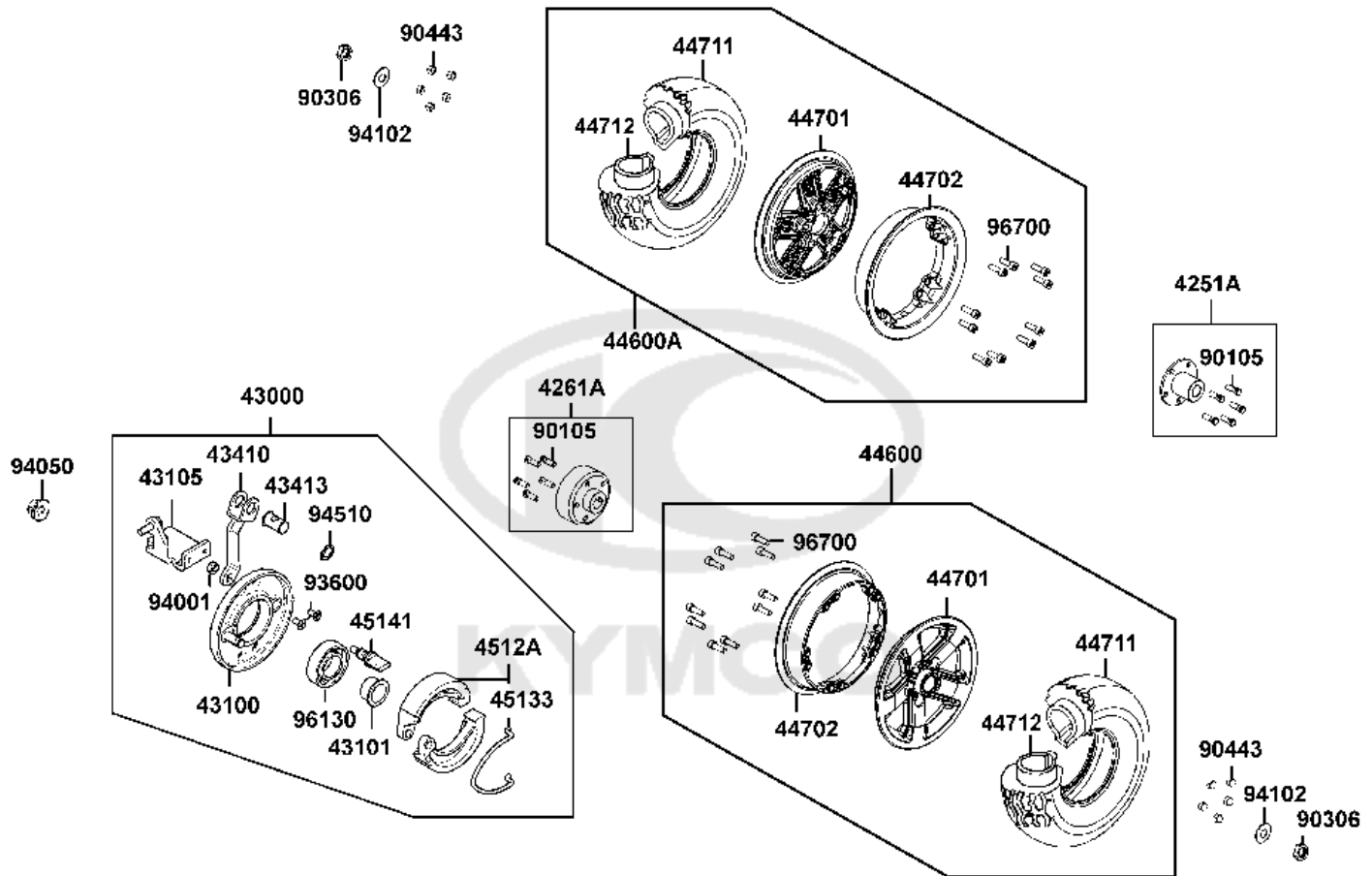



Sales mark	Ref no	Part no	Description	Reg description	Regd no	Ref Price	F06
	4251A	4251A-ABA5-E20	HUB ASSY RR R	HUB ASSY RR R	1	14.95	
	4261A	4261A-ABA5-E20	HUB ASSY RR L	HUB ASSY RR L	1	15.00	
	43000	43000-LBE1-920	PANEL ASSY LH RR BRK	PANEL ASSY LH RR BRK	1	31.20	
	43100	43100-LBE1-920	PANEL COMP RR BRAKE	PANEL COMP RR BRAKE	1	31.20	
	43101	43101-LBE1-900	COLLAR SET PANEL	COLLAR SET PANEL	1	3.25	
	43105	43105-LBE1-920	BRKT LH RR PANEL	BRKT LH RR PANEL	1	3.29	
	43410	43410-LBE1-920	ARM COMP LH RR BRK	ARM COMP LH RR BRK	1	5.20	
	43413	43413-LBE1-900	BREAK ARM JOINT **(0) C.2005.09.21	BREAK ARM JOINT **(0) C.2005.09.21	1	0.98	
	44600	44600-ABA5-E20-L	WHEEL ASSY (L)	WHEEL ASSY (L)	1	70.00	
	44600A	44600-ABA5-E20-R	WHEEL ASSY (R)	WHEEL ASSY (R)	1	70.00	
	44701	44701-ABA5-E20	RIM EXTR	RIM EXTR	2	24.70	
	44702	44702-ABA5-E20	RIM INTR	RIM INTR	2	19.50	
	44711	44711-ABA5-E20	TIRE FR 3.00-8 BLACK PNEUMATIC	TIRE FR 3.00-8 BLACK PNEUMATIC	2	25.00	
	44712	44712-ABA5-E20	INNER TUBE 2.50-8	INNER TUBE 2.50-8	2	9.75	
	4512A	4512A-LAC5-900	Brake shoe	Brake shoe	1	6.04	
	45133	45133-LAC5-900	SPG BRAKE SHOE **(0) C.2005.07.13	SPG BRAKE SHOE **(0) C.2005.07.13	1	0.81	
	45141	45141-LAC5-900	CAM FR BRK R/H	CAM FR BRK R/H	1	13.00	
	90105	90105-ABA5-E20	BOLT HUB 8X25	BOLT HUB 8X25	10	3.25	
	90306	90306-LDB4-90A	NUT U FLANGE 10MM	NUT U FLANGE 10MM	2	3.25	
	90443	90443-ABA5-E20	NUT CAP FLANGE	NUT CAP FLANGE	10	0.89	

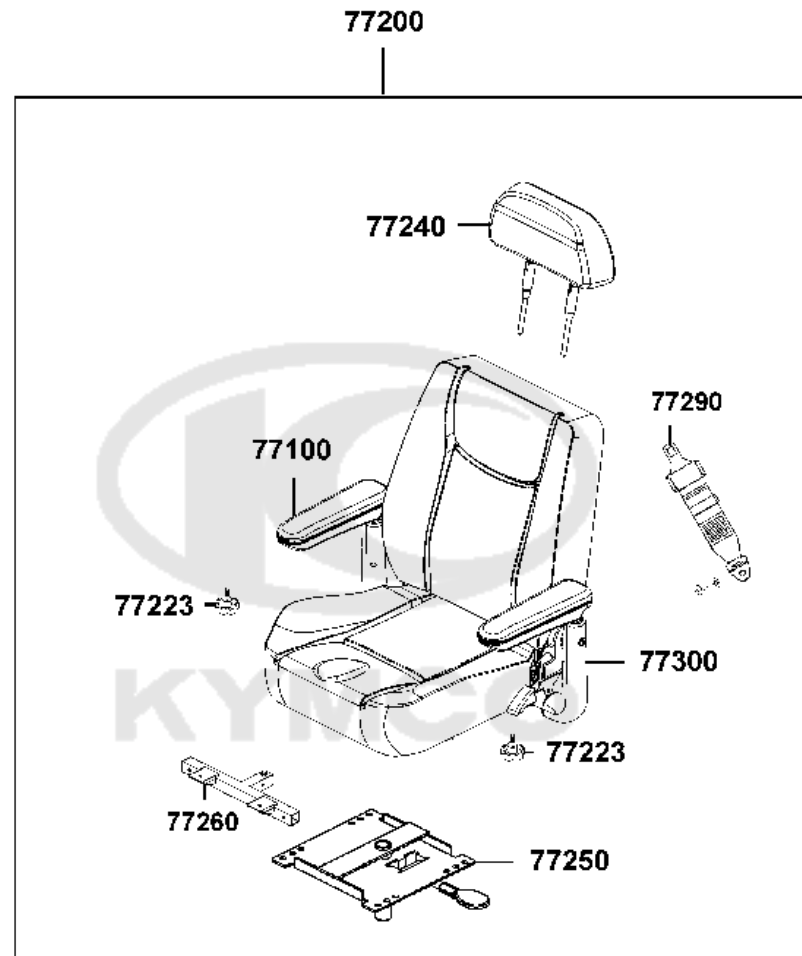


F06

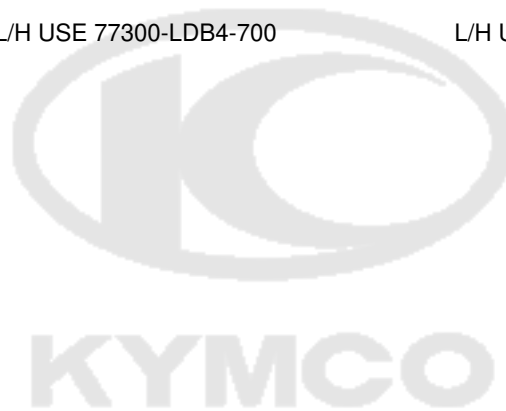
Rear Wheel



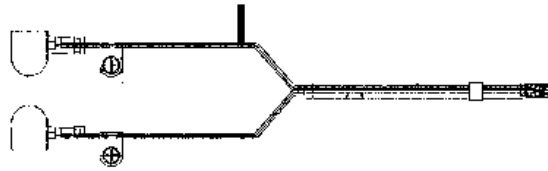
Sales mark	Ref no	Part no	Description	Reg description	Regd no	Ref Price	F06
	93600	93600-05010-0A	SCREW FLAT 5*10	SCREW FLAT 5*10	2	0.26	
	94001	94001-06080-0SG	NUT HEX 6MM	NUT HEX 6MM	1	3.25	
	94050	94050-08080-G	NUT FLANGE 8MM (C)	NUT FLANGE 8MM (C)	1	0.49	
	94102	94102-12800-G	WASHER PLAIN 12MM	WASHER PLAIN 12MM	2	3.25	
	94510	94510-12000	CIR CLIP EX 12MM	CIR CLIP EX 12MM	1	2.02	
	96130	96130-60220-00	BEARING BALL RADIAL 6022 ZZ	BEARING BALL RADIAL 6022 ZZ	1	3.25	
	96700	96700-08025-08	SOCKET BOLT 8*25	SOCKET BOLT 8*25	10	3.25	
							



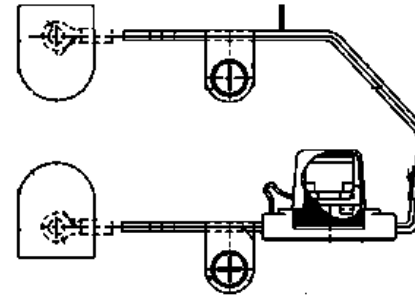
Sales mark	Ref no	Part no	Description	Reg description	Regd no	Ref Price	F07
	77100	77100-LAC5-900	R/H USE 77100-LDB4-700	R/H USE 77100-LDB4-700	1	31.20	
**	77200	77200-ABA5-E00	SEAT ASSY-MAXER- BLACK	SEAT ASSY-MAXER- BLACK	1	260.00	
	77223	77223-LAC5-305	BOLT LOCK ARM REST	BOLT LOCK ARM REST	2	3.25	
	77240	77240-ABA5-E00	HEAD REST	HEAD REST	1	32.50	
	77250	77250-LBE1-900	BASE ASSY SEAT	BASE ASSY SEAT	1	55.25	
	77260	77260-LAC5-700	STAY ASSY RR SEAT	STAY ASSY RR SEAT	1	13.00	
	77290	77290-LBE1-700	SEAT BELT	SEAT BELT	1	26.00	
	77300	77300-LAC5-900	L/H USE 77300-LDB4-700	L/H USE 77300-LDB4-700	1	31.20	



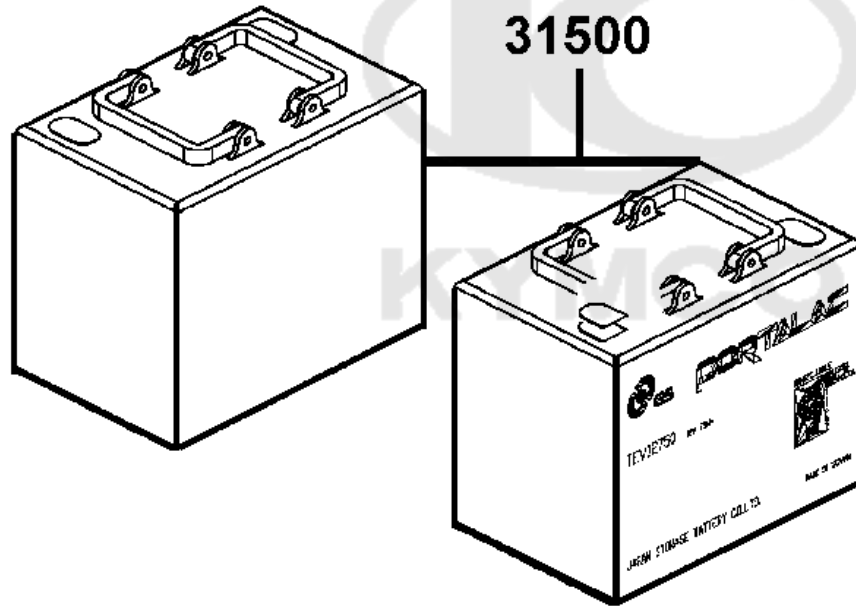
32102



32103



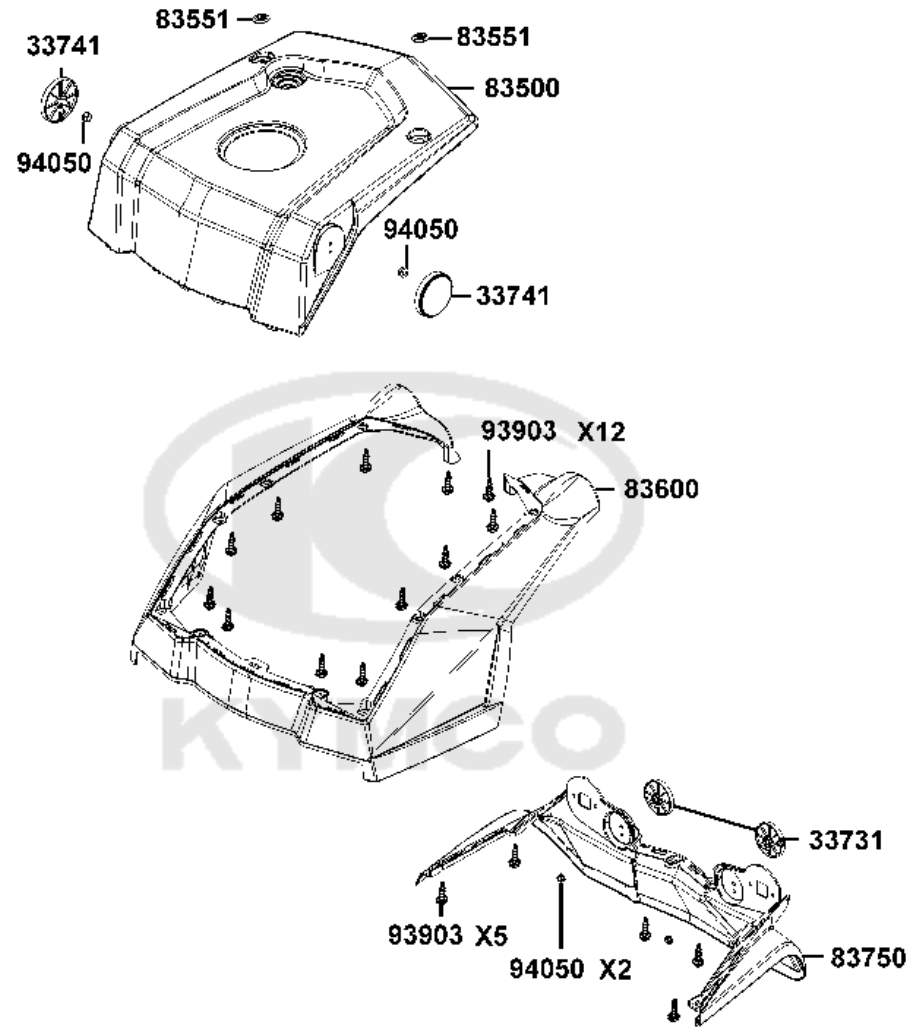
31500



Sales mark	Ref no	Part no	Description	Reg description	Regd no	Ref Price	<b>F08</b>
------------	--------	---------	-------------	-----------------	---------	-----------	------------

31500		31500-LBE1-90A	ORDER 31500-BAT70	ORDER 31500-BAT70	1	125.00	
32102		32102-ABA5-950	CORD SET POWER	CORD SET POWER	1		
32103		32103-ABA5-950	CORD&FUSE BATTERY	CORD&FUSE BATTERY	1		





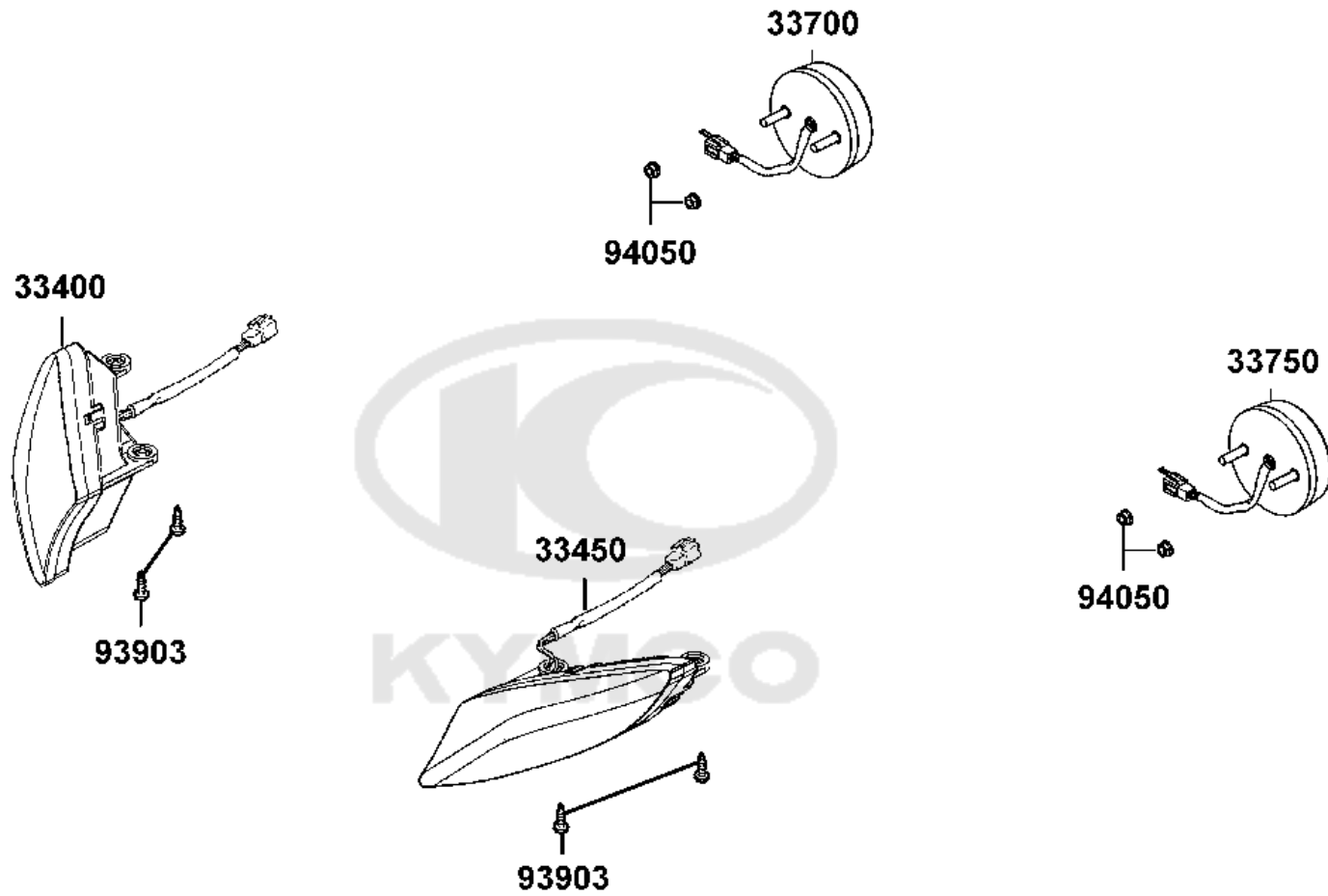
Sales mark	Ref no	Part no	Description	Reg description	Regd no	Ref Price	<b>F09</b>
	33731	33731-KFA6-M00	USE 33731-KFA6-C00	USE 33731-KFA6-C00	2	3.25	
	33741	33741-GFY6-C30	REFLEX REFLECTOR ORANGE	REFLEX REFLECTOR ORANGE	2	2.08	
**	83500	83500-ABA5-E00	REAR BATTERY COVER- MAXER-	REAR BATTERY COVER- MAXER- SILVER	1	42.25	
	83551	83551-KKAK-900	GROMMET AIR/C CASE **KAK-9000	GROMMET AIR/C CASE **KAK-9000	2	0.64	
**	83600	83600-ABA5-E00	REAR BODY PANEL- MAXER- FLAME	REAR BODY PANEL- MAXER- FLAME	1	84.50	
**	83750	83750-ABA5-E00	COVER RR TIRE	COVER RR TIRE	1	4.55	
	93903	93903-34360	SCREW TAPPING 4*12	SCREW TAPPING 4*12	17	0.50	
	94050	94050-06080-G	NUT FLANGE 6MM	NUT FLANGE 6MM	4	0.49	





F10

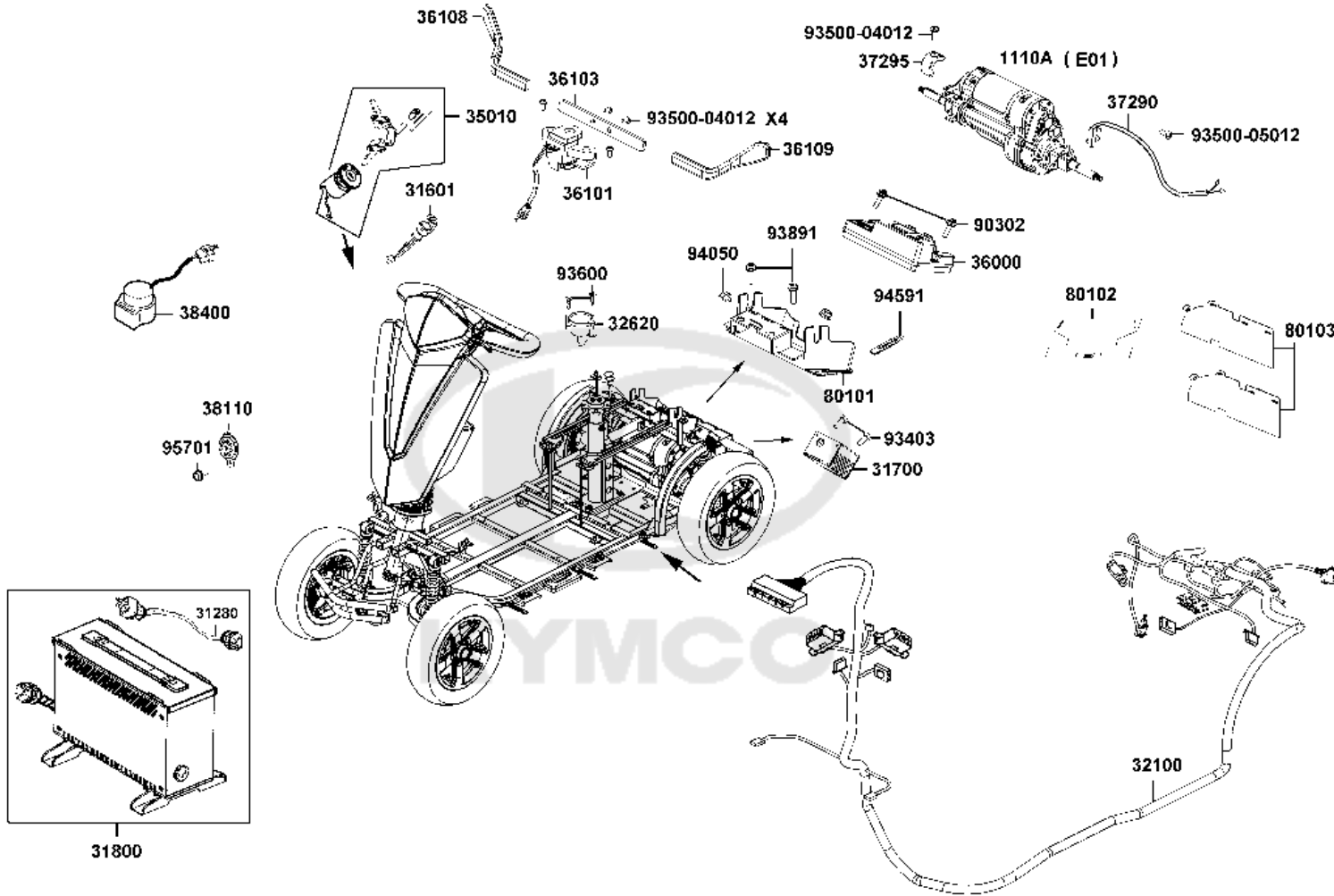
Winker Assy RH



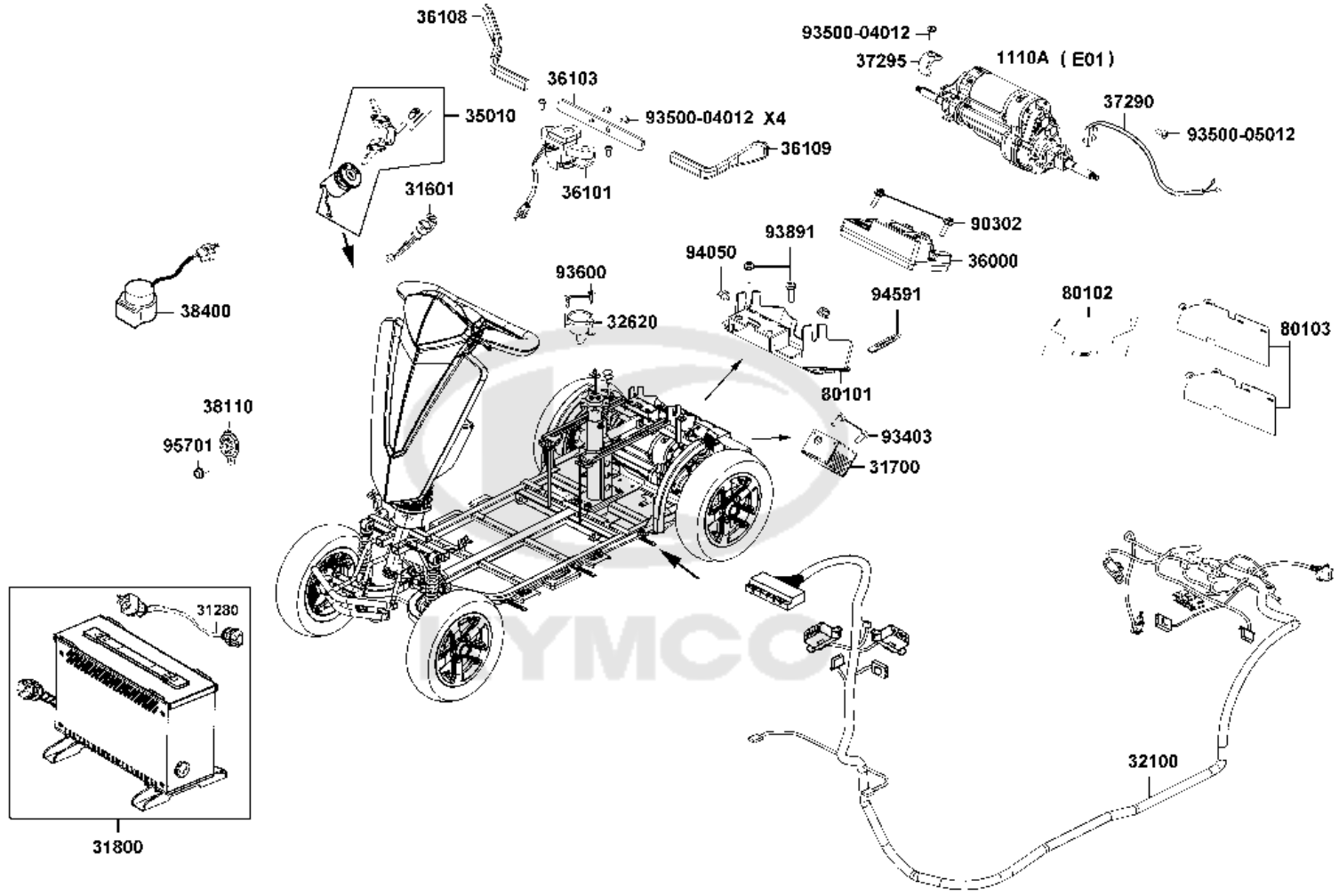
Sales mark	Ref no	Part no	Description	Reg description	Regd no	Ref Price	<b>F10</b>
------------	--------	---------	-------------	-----------------	---------	-----------	------------

	33400	33400-ABA5-E20	WINKER ASSY R FR (LED)	WINKER ASSY R FR (LED)	1	31.85	
	33450	33450-ABA5-E20	WINKER ASSY L FR (LED)	WINKER ASSY L FR (LED)	1	31.85	
	33700	33700-ABA5-E20	WINKER ASSY RH RR (LED)	WINKER ASSY RH RR (LED)	1	52.00	
	33750	33750-ABA5-E20	LIGHT ASSY L RR COMB (LED)	LIGHT ASSY L RR COMB (LED)	1	52.00	
	93903	93903-34360	SCREW TAPPING 4*12	SCREW TAPPING 4*12	4	0.50	
	94050	94050-06080-G	NUT FLANGE 6MM	NUT FLANGE 6MM	4	0.49	





Sales mark	Ref no	Part no	Description	Reg description	Regd no	Ref Price	F11
	31280	31280-LAC5-E20	CORD AC POWER	CORD AC POWER	1	6.50	
	31601	31601-ABA5-E20	SOCKET COMP DC 12V	SOCKET COMP DC 12V	1	11.70	
	31700	31700-ABA5-E20	ASSY DC/DC	ASSY DC/DC	1	176.80	
	31800	31800-ABA5-E20	BATTERY CHARGER ASSY ALT 31800-	BATTERY CHARGER ASSY ALT 31800-	1	150.00	
	32100	32100-ABA5-E21	HARNESS WIRE	HARNESS WIRE	1	70.00	
	32620	32620-LAC5-900	SOCKET CHARGER	SOCKET CHARGER	1	8.45	
	35010	35010-LAC5-E00	KEY SET	KEY SET	1	16.25	
	36000	36000-AGG5-E20	ELEC CONTROLLER UNIT	ELEC CONTROLLER UNIT	1		
	36101	36101-ABA5-E20	THROTTLE. 5K	THROTTLE. 5K	1	28.60	
	36103	36103-AAH6-E20	STAY A SPEED CONTROL	STAY A SPEED CONTROL	1	3.25	
	36108	36108-ABA5-E20	LEVER RH THROTTLE	LEVER RH THROTTLE	1	6.50	
	36109	36109-ABA5-E20	LEVER LH THROTTLE	LEVER LH THROTTLE	1	6.50	
	37290	37290-LLB1-E00	SENSOR WHEEL RPM	SENSOR WHEEL RPM	1	6.09	
	37295	37295-LAC5-900	MAGNET COMP SPEED	MAGNET COMP SPEED	1	3.25	
	38110	38110-LBA8-E0B	HORN COMP	HORN COMP	1	5.28	
	38400	38400-ABA5-E20	BUZZER	BUZZER	1	7.80	
	80101	80101-LBE1-920	COVER ELEC CONTROL UNIT **(4)	COVER ELEC CONTROL UNIT **(4)	1	11.70	
	80102	80102-LBE1-920	PLATE INNER FENDER SPLASH	PLATE INNER FENDER SPLASH	1	9.10	
	80103	80103-ABA5-E00	PLATE SPLASH BOARD	PLATE SPLASH BOARD	2	3.25	
	90302	90302-LEA1-900	BOLT-WASH 5X30	BOLT-WASH 5X30	2	3.25	

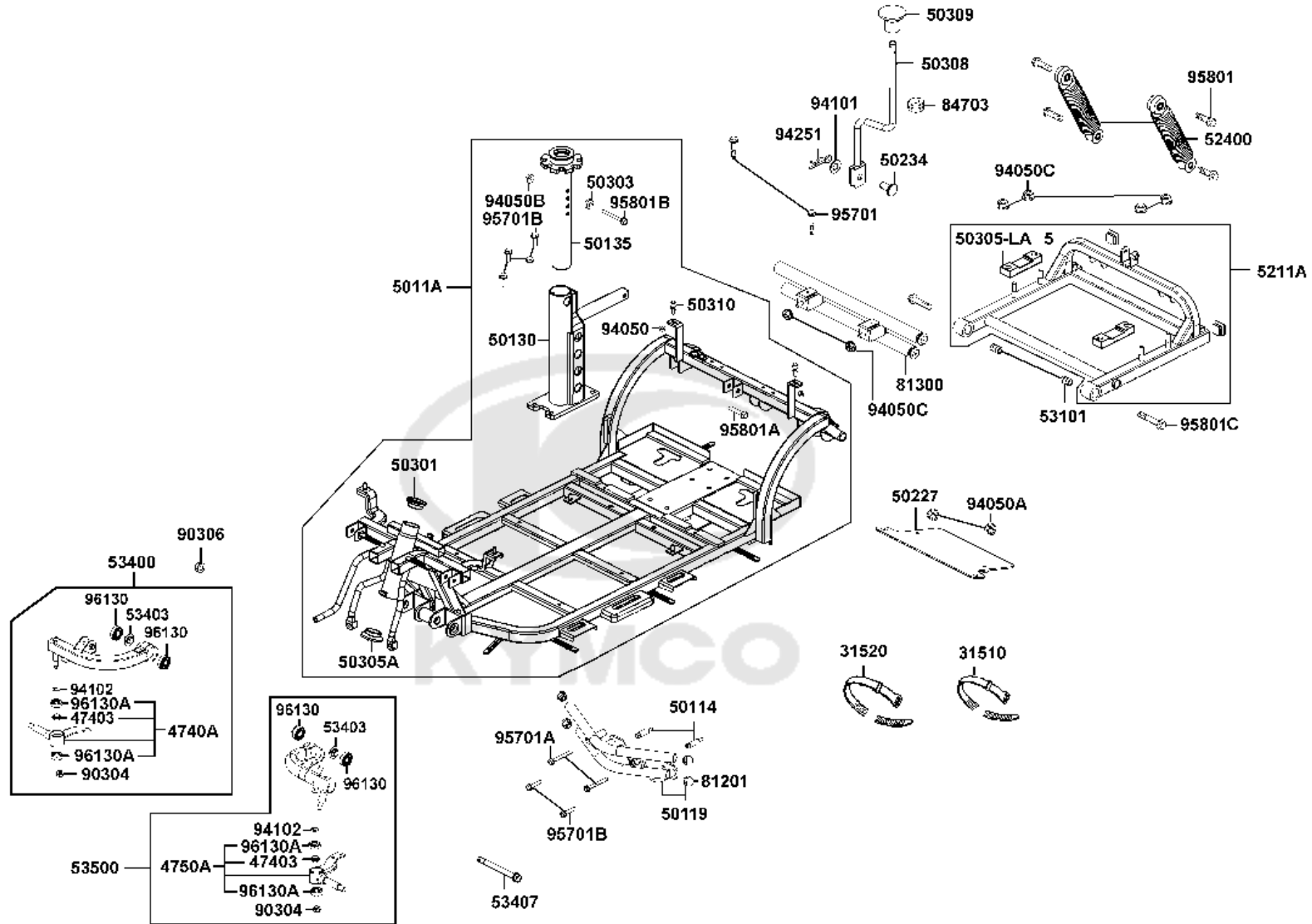


Sales mark	Ref no	Part no	Description	Reg description	Regd no	Ref Price	F11
	93403	93403-05012-08G	BOLT-WASH 5*12	BOLT-WASH 5*12	1	3.25	
	93500-04012	93500-04012-0HG	SCREW PAN 4*12	SCREW PAN 4*12	1	3.25	
	93500-05012	93500-05012-06	SCREW PAN 5*12	SCREW PAN 5*12	1	3.25	
	93600	93600-02008-0A	SCREW FLAT 2.5*8	SCREW FLAT 2.5*8	2	3.25	
	93891	93891-05040-08G	SCREW WASHER 5*40	SCREW WASHER 5*40	1		
	94050	94050-06080-G	NUT FLANGE 6MM	NUT FLANGE 6MM	2	0.49	
	94591	94591-LBE1-900	CLIP 2*71	CLIP 2*71	1	3.25	
	95701	95701-06012-06	BOLT FLANGE 6*12 **07 C.2005.07.01	BOLT FLANGE 6*12 **07 C.2005.07.01	1	0.47	



F12

Frame Body

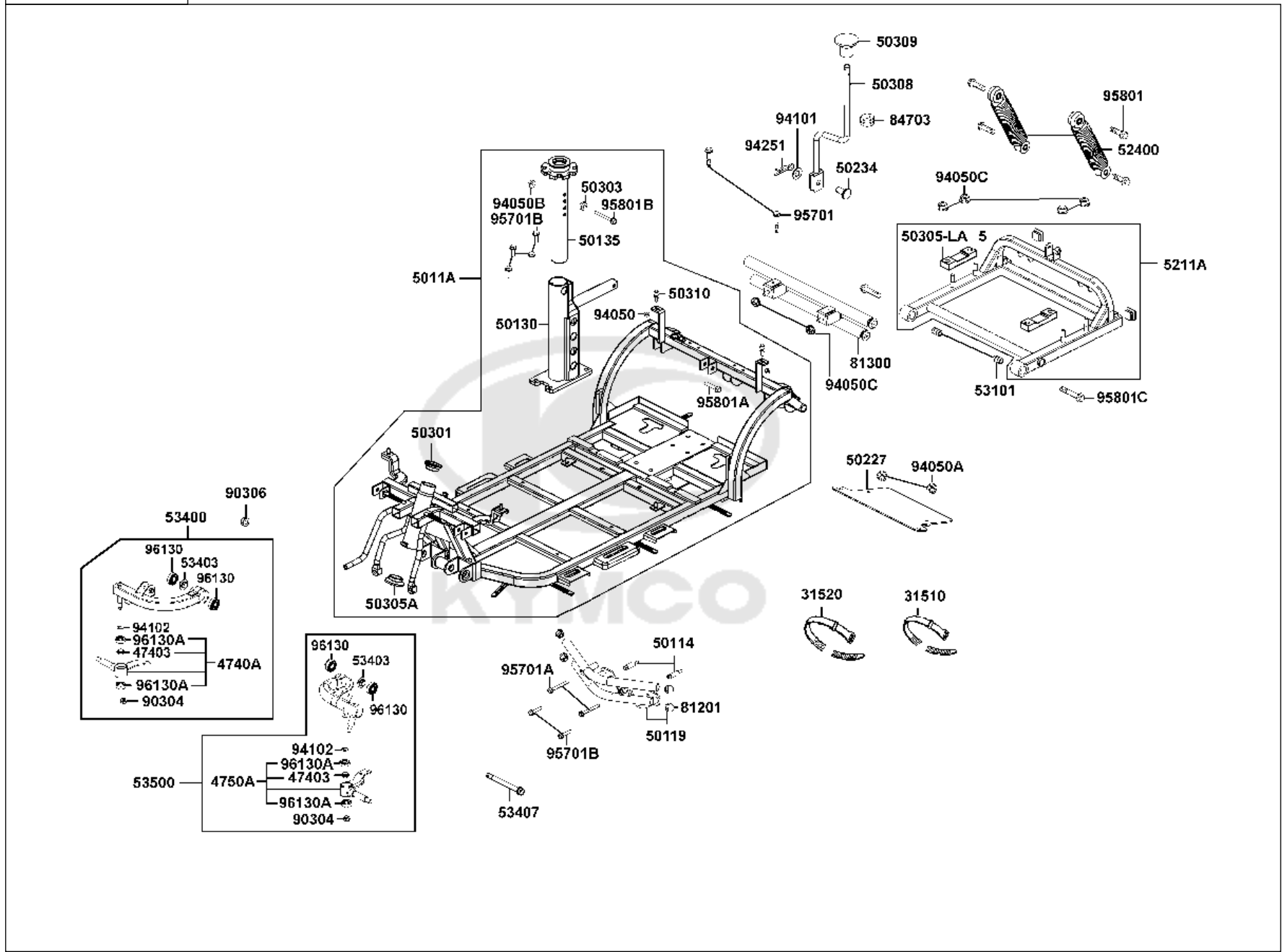


Sales mark	Ref no	Part no	Description	Reg description	Regd no	Ref Price	F12
	31510	31510-LAC5-900	BAND BATTERY	BAND BATTERY	2	3.25	
	31520	31520-LAC5-900	BAND B BATTERY	BAND B BATTERY	1	3.25	
	47403	47403-LBE1-920	COLLAR STRG SHAFT	COLLAR STRG SHAFT	2	3.25	
	4740A	4740A-LBE1-920	SHAFT ASSY RH SWING	SHAFT ASSY RH SWING	1	16.25	
	4750A	4750A-LBE1-920	SHAFT ASSY LH SWING	SHAFT ASSY LH SWING	1	16.25	
	50114	50114-ABA5-E20	COLLAR FR GRIP	COLLAR FR GRIP	1	6.50	
	50119	50119-ABA5-E20	PIPE FR GRIP	PIPE FR GRIP	1	24.70	
	5011A	5011A-AGG5-E20	FRAME ASSY	FRAME ASSY	1		
	50130	50130-LBE1-920	PIPE A SEAT SET	PIPE A SEAT SET	1	16.90	
	50135	50135-LAC5-900	PIPE B SEAT SET **(8) C.2005.09.08	PIPE B SEAT SET **(8) C.2005.09.08	1	18.20	
	50227	50227-LBE1-920	BRKT ECU	BRKT ECU	1	9.10	
	50234	50234-LBE1-900	SHAFT BRAKE LEAVE **(0)	SHAFT BRAKE LEAVE **(0) C.2005.09.21	1	5.85	
	50301	50301-LDB4-001	RACE UP STRG BALL	RACE UP STRG BALL	1	3.25	
	50303	50303-LAC5-900	COLLAR SEAT SET PIPE	COLLAR SEAT SET PIPE	1	3.25	
	50305	50305-LAC5-900	RUBBER MOTOR	RUBBER MOTOR	2	4.55	
	50305A	50305-LDB4-004	RACE UNDER STRG BALL	RACE UNDER STRG BALL	1	3.25	
	50308	50308-ABA5-E20	BAR BRAKE LEAVE	BAR BRAKE LEAVE	1	3.25	
	50309	50309-LAC5-900	BRAKE LEAVE KNOB	BRAKE LEAVE KNOB	1	3.25	
	50310	50310-LAC5-900	BOLT LOCK PIN	BOLT LOCK PIN	2	3.25	
	5211A	5211A-AGG5-E20	FORK ASSY RR	FORK ASSY RR	1		



F12

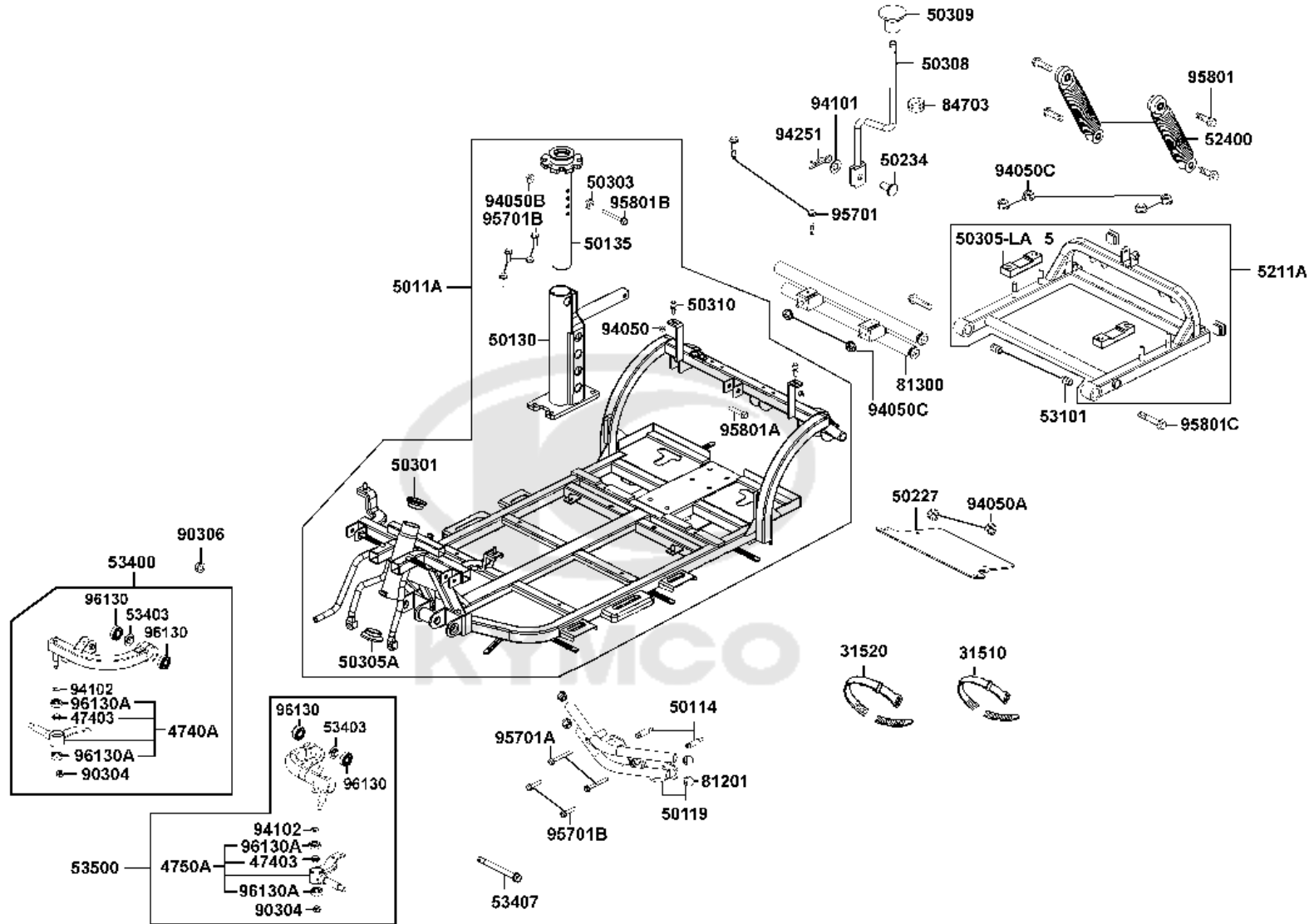
Frame Body



Sales mark	Ref no	Part no	Description	Reg description	Regd no	Ref Price	F12
**	52400	52400-AGG5-E20	CUSHION ASSY RR	CUSHION ASSY RR	2		
	53101	53101-LBE1-900	COLLAR REAR FORK **(0)	COLLAR REAR FORK **(0) C.2005.09.21	2	3.25	
	53400	53400-ABA5-305	ARM ASSY R SWING	ARM ASSY R SWING	1	45.50	
	53403	53403-LBE1-920	"DIST COLLAR ,SWING"	"DIST COLLAR ,SWING"	2	3.25	
	53407	53407-LBE1-920	BOLT FLANGE 12*170	BOLT FLANGE 12*170	1	3.25	
	53500	53500-ABA5-305	ARM ASSY L SWING	ARM ASSY L SWING	1	45.50	
	81201	81201-LBE8-900	CAP RR GRIP END	CAP RR GRIP END	4	3.25	
	81300	81300-ABA5-E20	GRIP RR	GRIP RR	1	16.25	
	84703	84703-LBE1-900	RUBBER,TAIL LIGHT	RUBBER,TAIL LIGHT	1		
	90304	90304-LDB4-90A	NUT U FLANGE 10MM	NUT U FLANGE 10MM	2	3.25	
	90306	90306-LDB4-90A	NUT U FLANGE 10MM	NUT U FLANGE 10MM	1	3.25	
	94050	94050-06060	NUT FLANGE 6MM	NUT FLANGE 6MM	2	0.49	
	94050A	94050-06080-G	NUT FLANGE 6MM	NUT FLANGE 6MM	2	0.49	
	94050B	94050-08060	NUT FLANGE 8MM	NUT FLANGE 8MM	1	0.49	
	94050C	94050-08080-G	NUT FLANGE 8MM (C)	NUT FLANGE 8MM (C)	6	0.49	
	94101	94101-06800-G	WASHER PLAN 6MM	WASHER PLAN 6MM	5	0.12	
	94102	94102-10600	WASHER PLAIN 10MM	WASHER PLAIN 10MM	2	0.55	
	94251	94251-08400	PIN LOCK 8MM	PIN LOCK 8MM	1	0.68	
	95701	95701-06050-06	BOLT FLANGE 6*50	BOLT FLANGE 6*50	2	0.29	
	95701A	95701-06055-08G	BOLT FLANGE 68*55	BOLT FLANGE 68*55	2	0.49	

F12

Frame Body

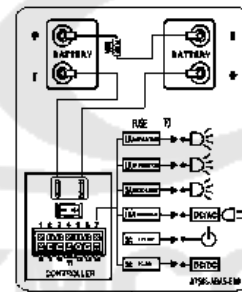


Sales mark	Ref no	Part no	Description	Reg description	Regd no	Ref Price	<b>F12</b>
95701B	95701-08020-08G	95701-08020-08G	BOLT FLANGE 8*20	BOLT FLANGE 8*20	2	3.25	
95801	95801-08035-06	95801-08035-06	BOLT FLANGE 8*35 **LLJ1-900	BOLT FLANGE 8*35 **LLJ1-900	4	0.36	
95801A	95801-08040-08G	95801-08040-08G	BOLT FLANGE 8*40	BOLT FLANGE 8*40	1	3.25	
95801B	95801-08060-06	95801-08060-06	BOLT FLANGE 6*60	BOLT FLANGE 6*60	1	0.50	
95801C	95801-10050-08G	95801-10050-08G	BOLT FLANGE 10*50 (C)	BOLT FLANGE 10*50 (C)	2	0.50	
96130	96130-60010-00	96130-60010-00	BEARING 6001Z	BEARING 6001Z	4	3.25	
96130A	96130-69020-00	96130-69020-00	BEARING 6902ZZ	BEARING 6902ZZ	4	3.25	





87501



87508



87560

Sales mark	Ref no	Part no	Description	Reg description	Regd no	Ref Price	<b>F13</b>
------------	--------	---------	-------------	-----------------	---------	-----------	------------

**	87501	87501-LED5-910	USE CAUTION	USE CAUTION	1	3.25	
**	87508	87508-ABA5-E00	LABEL BATTERY	LABEL BATTERY	1	3.25	
**	87560	87560-LAC5-900	MARK DRIVE CAUTION	MARK DRIVE CAUTION	1	3.25	



**KYMCO**

87206-ABA5



86102

**KYMCO**

87206-LGE5

Sales mark	Ref no	Part no	Description	Reg description	Regd no	Ref Price	<b>F14</b>
------------	--------	---------	-------------	-----------------	---------	-----------	------------

**	86102	86102-LCA5-900	EMB K-LOGO 30MM (PP)	EMB K-LOGO 30MM (PP)	1	3.25	
**	87206-ABA5	87206-ABA5-E00	EMB MARK KYMCO	EMB MARK KYMCO	1	6.50	
**	87206-LGE5	87206-LGE5-E00	EMB MARK KYMCO	EMB MARK KYMCO	1	6.50	

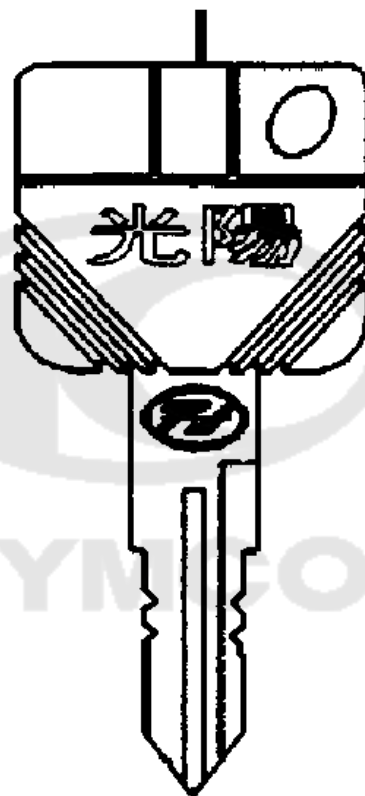




F15

KEY

35111



Sales mark	Ref no	Part no	Description	Reg description	Regd no	Ref Price	<b>F15</b>
------------	--------	---------	-------------	-----------------	---------	-----------	------------

35111	35111-KNBN-920	KEY COMP	KEY COMP	KEY COMP	1	5.85	
-------	----------------	----------	----------	----------	---	------	--



## PART NO. INDEX

PART NO.	VERSION	PAGE	PART NO.	VERSION	PAGE	PART NO.	VERSION	PAGE
<b>11000</b>			<b>32000</b>			<b>36000</b>		
1110A-AGG5-E20	1	E01	32100-ABA5-E21	0	F11	36000-AGG5-E20	0	F11
11302-LAC5-900	0	E01	32102-ABA5-950	0	F08	36101-ABA5-E20	1	F11
			32103-ABA5-950	0	F08	36103-AAH6-E20	4	F11
<b>13000</b>			32620-LAC5-900	5	F11	36108-ABA5-E20	2	F11
13331-LAC5-900	0	E01				36109-ABA5-E20	2	F11
<b>31000</b>			<b>33000</b>			<b>37000</b>		
			33400-ABA5-E20	7	F10			
			33450-ABA5-E20	4	F10	37200-ABA5-E20	9	F02
31280-LAC5-E20	2	F11	33700-ABA5-E20	3	F10	37290-LLB1-E00	4	F11
31300-AGG5-E20	1	E01	33731-KFA6-M00	1	F09	37295-LAC5-900	3	F11
31345-AGG5-305	0	E01	33741-GFY6-C30	1	F09			
31347-AGG5-305	0	E01	33750-ABA5-E20	3	F10	<b>38000</b>		
31350-AGG5-305	0	E01						
31500-LBE1-90A	1	F08	<b>35000</b>			38110-LBA8-E0B	4	F11
31510-LAC5-900	4	F12				38400-ABA5-E20	1	F11
31520-LAC5-900	3	F12	35010-LAC5-E00	2	F11			
31601-ABA5-E20	5	F11	35110-ABA5-E20	0	F02	<b>42000</b>		
31700-ABA5-E20	9	F11	35111-KNBN-920	0	F15			
31800-ABA5-E20	1	F11	35115-ABA5-E20	0	F02	4251A-ABA5-E20	1	F06
						4261A-ABA5-E20	1	F06

## PART NO. INDEX

PART NO.	VERSION	PAGE	PART NO.	VERSION	PAGE	PART NO.	VERSION	PAGE
<b>43000</b>			44712-ABA5-E20	0	F05	50303-LAC5-900	4	F12
			44712-ABA5-E20	0	F06	50305-LAC5-900	2	F12
43000-LBE1-920	2	F06	<b>45000</b>			50305-LDB4-004	1	F12
43100-LBE1-920	2	F06				50306-LDB4-001	1	F04
43101-LBE1-900	3	F06	4512A-LAC5-900	2	F06	50308-ABA5-E20	0	F12
43105-LBE1-920	2	F06	45133-LAC5-900	1	F06	50309-LAC5-900	3	F12
43410-LBE1-920	2	F06	45141-LAC5-900	2	F06	50310-LAC5-900	4	F12
43413-LBE1-900	2	F06	45450-LBE1-900	7	F01	50350-ABA5-E20	1	E01
<b>44000</b>			<b>47000</b>			50351-ABA5-E20	4	E01
44600-ABA5-E20-L	0	F05	47403-LBE1-920	3	F12	<b>51000</b>		
44600-ABA5-E20-L	0	F06	4740A-LBE1-920	4	F12	51400-ABA5-E20	2	F04
44600-ABA5-E20-R	0	F05	4750A-LBE1-920	4	F12	<b>52000</b>		
44600-ABA5-E20-R	0	F06	<b>50000</b>			5211A-AGG5-E20	0	F12
44602-ABA5-E20	1	F05				52400-AGG5-E20	1	F12
44620-LBE1-900	2	F05	50114-ABA5-E20	1	F12	<b>53000</b>		
44650-ABA5-E20	2	F05	50119-ABA5-E20	2	F12			
44701-ABA5-E20	2	F05	5011A-AGG5-E20	0	F12	53100-ABA5-E20	0	F01
44701-ABA5-E20	2	F06	50130-LBE1-920	5	F12	53101-ABA5-E20	0	F01
44702-ABA5-E20	2	F05	50135-LAC5-900	9	F12	53101-LBE1-900	2	F12
44702-ABA5-E20	2	F06	50227-LBE1-920	2	F12	53104-LED3-900	4	F01
44705-LAC5-900	7	F05	50234-LBE1-900	3	F12	53125-LAC5-900	6	F01
44711-ABA5-E20	0	F05	50301-LDB4-001	1	F12			
44711-ABA5-E20	0	F06						

## PART NO. INDEX

PART NO.	VERSION	PAGE	PART NO.	VERSION	PAGE	PART NO.	VERSION	PAGE
5317B-LED4-900	2	F01	64302-ABA5-E00	0	F03			
53190-LAC5-90A	9	F01	64303-ABA5-E00	0	F01	<b>81000</b>		
53191-LAC5-900	2	F01	64310-ABA5-E00	0	F03			
53196-LAC5-900	4	F01	64311-ABA5-E00	0	F03	81131-ABA5-E00	0	F01
53200-LBE1-920	2	F04	64316-ABA5-E00	0	F03	81141-ABA5-E00	0	F01
53209-LAC5-900	8	F01	64316-ABA5-E01	1	F03	81201-LBE8-900	2	F12
53211-LDB4-940	1	F04	64340-ABA5-E00	0	F03	81300-ABA5-E20	1	F12
53212-LDB4-004	1	F04						
53400-ABA5-305	0	F12	<b>77000</b>			<b>83000</b>		
53403-LBE1-920	2	F12						
53406-LAC5-900	2	F01	77100-LAC5-900	3	F07	83500-ABA5-E00	1	F09
53407-LBE1-920	2	F12	77200-ABA5-E00	6	F07	83551-KKAK-900	0	F09
53500-ABA5-305	0	F12	77223-LAC5-305	2	F07	83600-ABA5-E00	0	F09
53700-ABA5-E20	1	F04	77240-ABA5-E00	0	F07	83750-ABA5-E00	0	F09
53701-ABA5-E20	0	F04	77250-LBE1-900	1	F07			
53702-ABA5-E20	0	F04	77260-LAC5-700	0	F07	<b>84000</b>		
53703-ABA5-E20	0	F04	77290-LBE1-700	0	F07			
53705-LBE1-920	2	F04	77300-LAC5-900	3	F07	84703-LBE1-900	1	F12
53800-ABA5-E20	1	F04						
53801-ABA5-E20	0	F04	<b>80000</b>			<b>86000</b>		
53803-ABA5-E20	1	F04						
53805-LBE1-920	1	F04	80101-LBE1-920	5	F11	86102-LCA5-900	4	F14
			80102-LBE1-920	3	F11			
<b>64000</b>			80103-ABA5-E00	0	F11	<b>87000</b>		
64301-ABA5-E00	0	F01				87206-ABA5-E00	1	F14

## PART NO. INDEX

PART NO.	VERSION	PAGE	PART NO.	VERSION	PAGE	PART NO.	VERSION	PAGE
87206-LGE5-E00	1	F14	90306-LDB4-90A	1	F12	<b>94000</b>		
87501-LED5-910	1	F13	90309-LDB4-90A	1	F01			
87508-ABA5-E00	0	F13	90309-LDB4-90A	1	F04			
<b>88000</b>	4	F13	90443-ABA5-E20	3	F05	94001-06080-0SG	0	F06
			90443-ABA5-E20	3	F06	94001-08080-0S	0	F04
			90652-LFB5-900	3	F01	94001-LAC5-900	2	F04
			<b>93000</b>			94050-06060	1	F12
88110-LBE1-800	2	F01				94050-06080-G	1	F09
88120-LAC7-900	5	F01				94050-06080-G	1	F10
88120-LBE1-800	2	F01	93403-05012-08G	0	F11	94050-06080-G	1	F11
<b>90000</b>			93500-04010-0HG	0	F01	94050-06080-G	1	F12
			93500-04012-0HG	0	F11	94050-08060	0	F12
			93500-05012-06	0	F11	94050-08080-G	1	F01
			93600-02008-0A	0	F11	94050-08080-G	1	F06
90023-LAC5-001	1	F03	93600-05010-0A	0	F06	94050-08080-G	1	F12
90105-ABA5-E20	0	F05	93891-04012-06	0	E01	94101-06800-G	1	F12
90105-ABA5-E20	0	F06	93891-05040-08G	0	F11	94102-10600	0	F12
90164-MDR4-901	1	F01	93903-14380-G	0	F03	94102-12800-G	0	F06
90301-4C73-004	0	F01	93903-34360	0	F01	94111-08800	0	F04
90301-LAC5-671	1	F03	93903-34360	0	F03	94251-08400	0	F12
90302-KEC8-910	1	F01	93903-34360	0	F09	94510-12000	0	F06
90302-LEA1-900	1	F11	93903-34360	0	F10	94510-19000	0	E01
90302-SDA4-004	3	F01	93903-35320-G	0	F01	94591-LBE1-900	1	F11
90302-SDA4-004	3	F03	93903-GFY6-910	1	F01			
90304-LDB4-90A	1	F05						
90304-LDB4-90A	1	F12						
90306-LDB4-90A	1	F06						

## PART NO. INDEX

PART NO.	VERSION	PAGE	PART NO.	VERSION	PAGE	PART NO.	VERSION	PAGE
<b>95000</b>								
95701-06012-06	1	F11						
95701-06020-06	1	F01						
95701-06050-06	0	F12						
95701-06055-08G	0	F12						
95701-08020-08G	1	F12						
95801-08035-06	1	F01						
95801-08035-06	1	F12						
95801-08035-08G	0	F04						
95801-08040-08G	1	F12						
95801-08045-08G	0	F01						
95801-08060-06	0	F12						
95801-10050-08G	0	F12						
<b>96000</b>								
96130-60010-00	0	F12						
96130-60020-10	0	F05						
96130-60220-00	0	F06						
96130-69020-00	0	F12						
96211-05000	26	F04						
96600-AGG5-E20	0	E01						
96700-08025-08	0	F05						
96700-08025-08	0	F06						