

PARTS CATALOGUE



MOBILITY SCOOTER

EV10DA(UK)

Strider



Release Date : 2014/05/04
Print Date : 2019/11/04

ABOUT THIS PARTS LIST

- This parts list is compiled all service parts for model EV10DA(UK).
- Any difference between color chart and motorcycle will be revised according to motorcycle.
- The Mark:
 1. Marking "***" must add color code in the end before ordering parts.
 2. Marking "#" are parts with modification, Please find the details from e-Parts system.
- When modification or additions to this parts list are made a revised edition at an appropriate time.



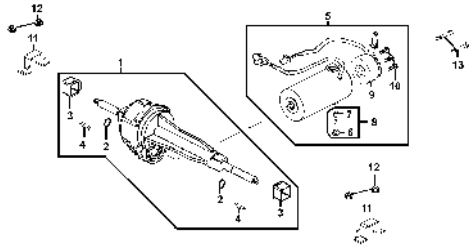
CONTENTS

● ABOUT THIS PARTS LIST	1
● COLOR CHART OF EV10DA(UK)	3
● CONTENTS-ENGINE GROUP	4
● CONTENTS-FRAME GROUP	5
● ENGINE PARTS LIST	7
● FRAME PARTS LIST	9
● PART NO. INDEX	43

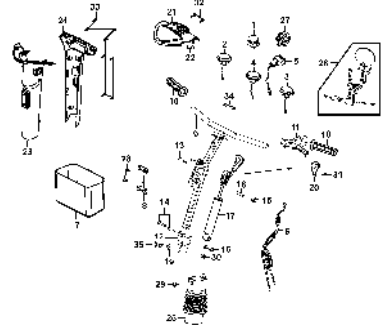
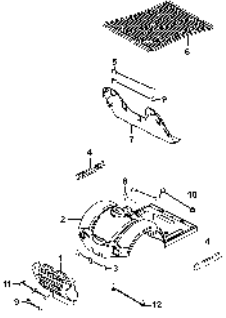
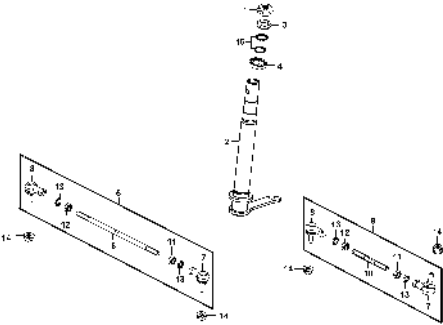
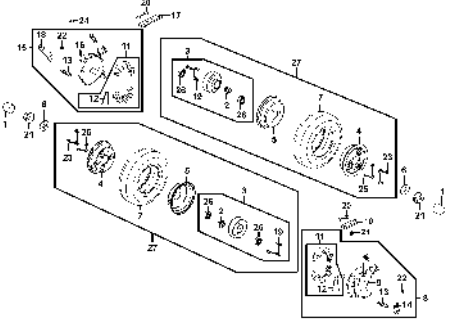
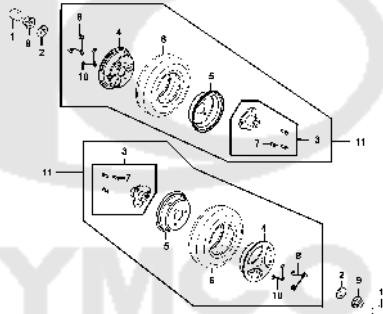
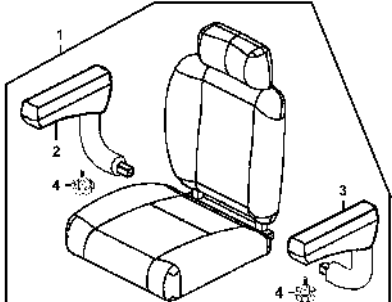
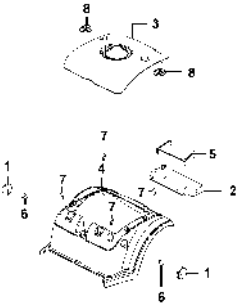
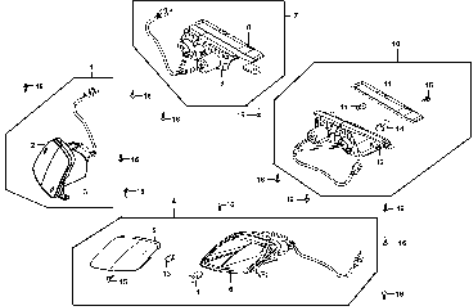
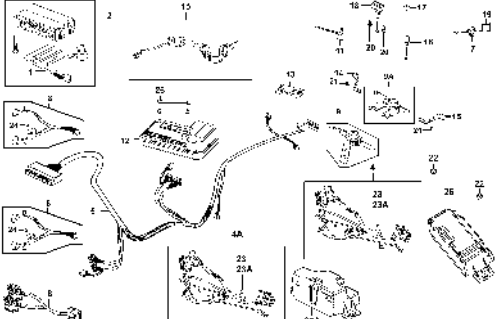
NO	MODEL			COLOR CHART OF EV10DA(UK)			
	PHOTO NO			NO. 1	NO. 2		
	BASIC COLOR			Burgundy	Dark Red		
	CODE			Burgundy	Dark Red		
	PARTS NAME	PARTS NO.	VERSION	RR132MA	RR132MA		
1	GRIP L HANDLE	53166-LAC5-911	1	N1R			
2	BOLT HANDLE SET	64302-LAC5-900	5				
3	MOLD A	64311-LAC5-900	3				
4	PLUG FLOOR	64316-LAC5-900	2				
5	MAT FLOOR	64320-LAC5-900	2				
6	COVER FLOOR	64330-LAC5-900	4				
7	BUMPER RR	83751-LAC5-900	1				
8	COVER BODY UP	83500-LAC5-900	5	N8P			
9	COVER HANDLE FR	53205-LAC5-900	5	R7P			
10	COVER HANDLE RR	53206-LAC5-900	4				
11	METER COVER	53207-LAC5-900	8				
12	FLOOR PANEL	64310-LAC5-900	5				
13	COVER BODY LOW	83600-LAC5-900	7				
14	SEAT ASSY	77200-LAC5-900	6	T01			
15	EMB DMA STRIDER	86020-LAC5-E20	1				
16	EMB DAYS LOGO 35MM	86102-LAC5-E21	1				
17	EMB METER	86444-LAC5-900	9				
18	USE CAUTION	87501-LAC5-900	7				
19	LABEL BATTERY	87508-LAC5-910	2				
20	CAUTION LOCK	87541-LAE9-E00	1				
21	MAR DRIVE CAUTION	87560-LAC5-900	4				
DATE OF STARTING-SALES				2005-06-03	2005-06-03		
DATE OF END-SALES							

CONTENTS - ENGINE GROUP

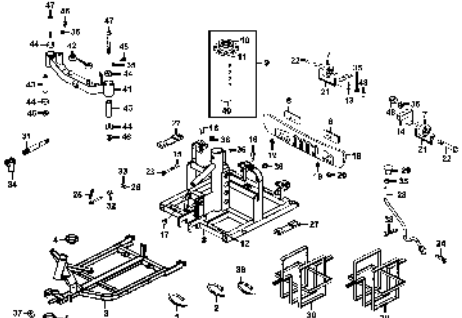
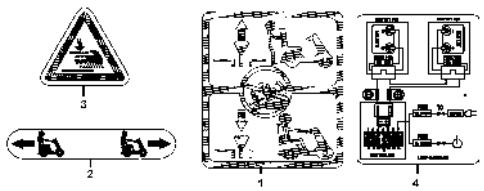
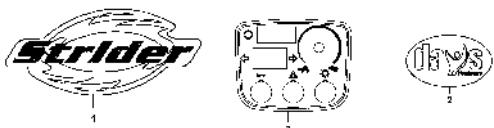

E01 MOTOR ASSY



CONTENTS - FRAME GROUP

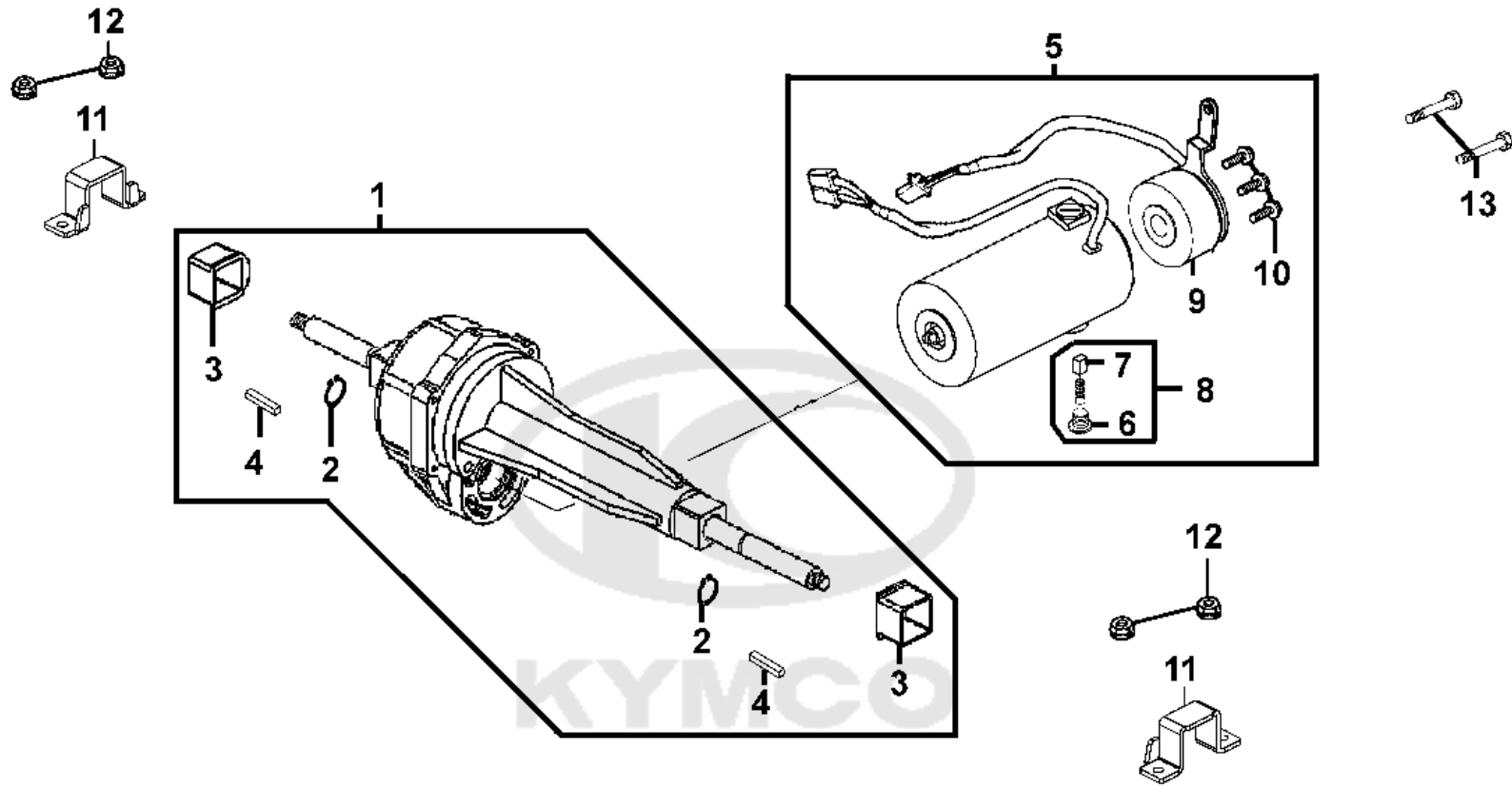
<p>F01 Handle Steering</p>	<p>F02 Floor Panel</p>	<p>F03 Stem Steering</p>
		
<p>F04 Front Wheel</p>	<p>F05 Rear Wheel</p>	<p>F06 Seat</p>
		
<p>F07 Body Cover</p>	<p>F08 Winker</p>	<p>F09 Harness Wire</p>
		

CONTENTS - FRAME GROUP

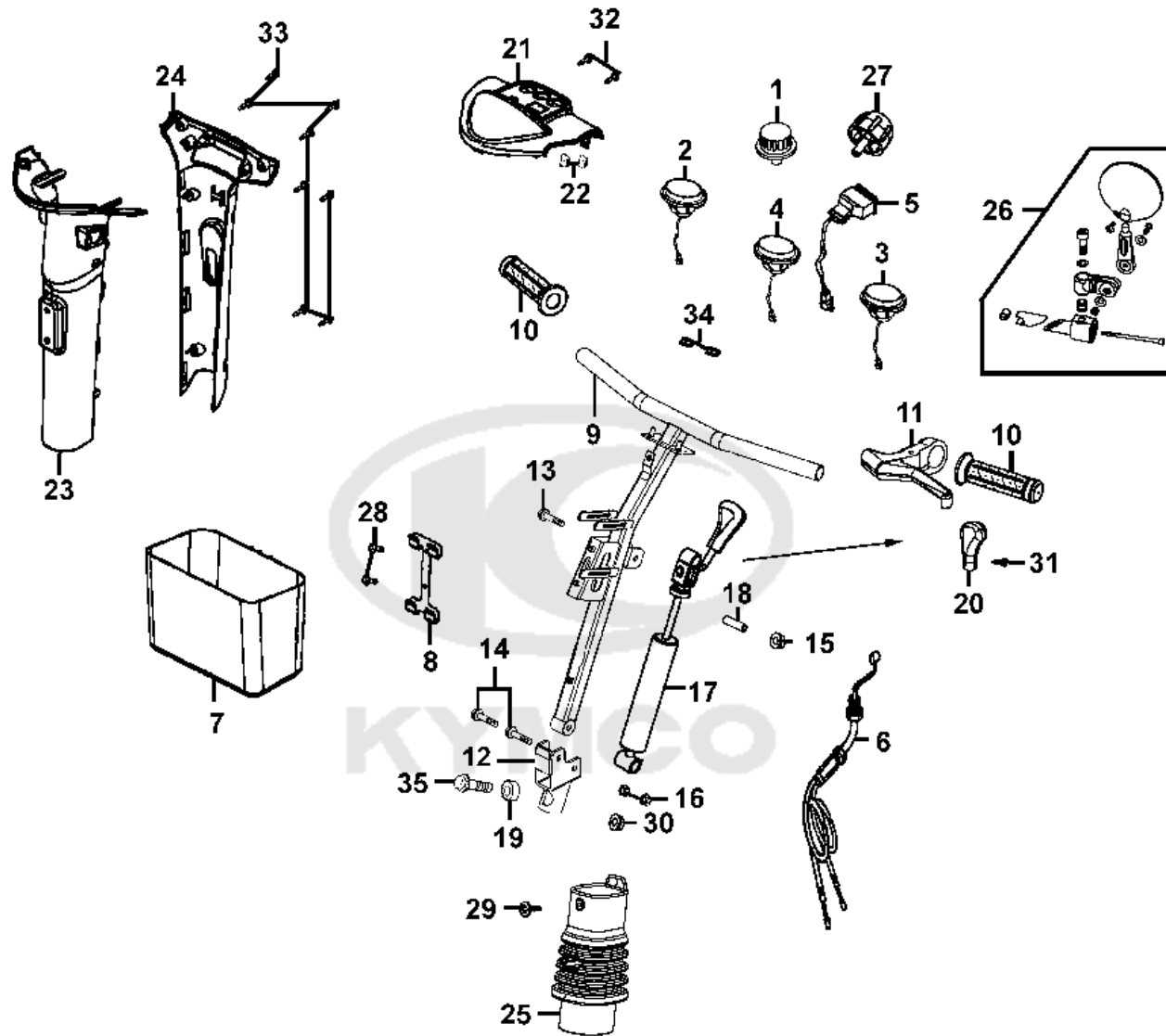
<p>F10 Frame Body</p>	<p>F11 Caution Label</p>	<p>F12 Mark</p>
		
		

E01

MOTOR ASSY



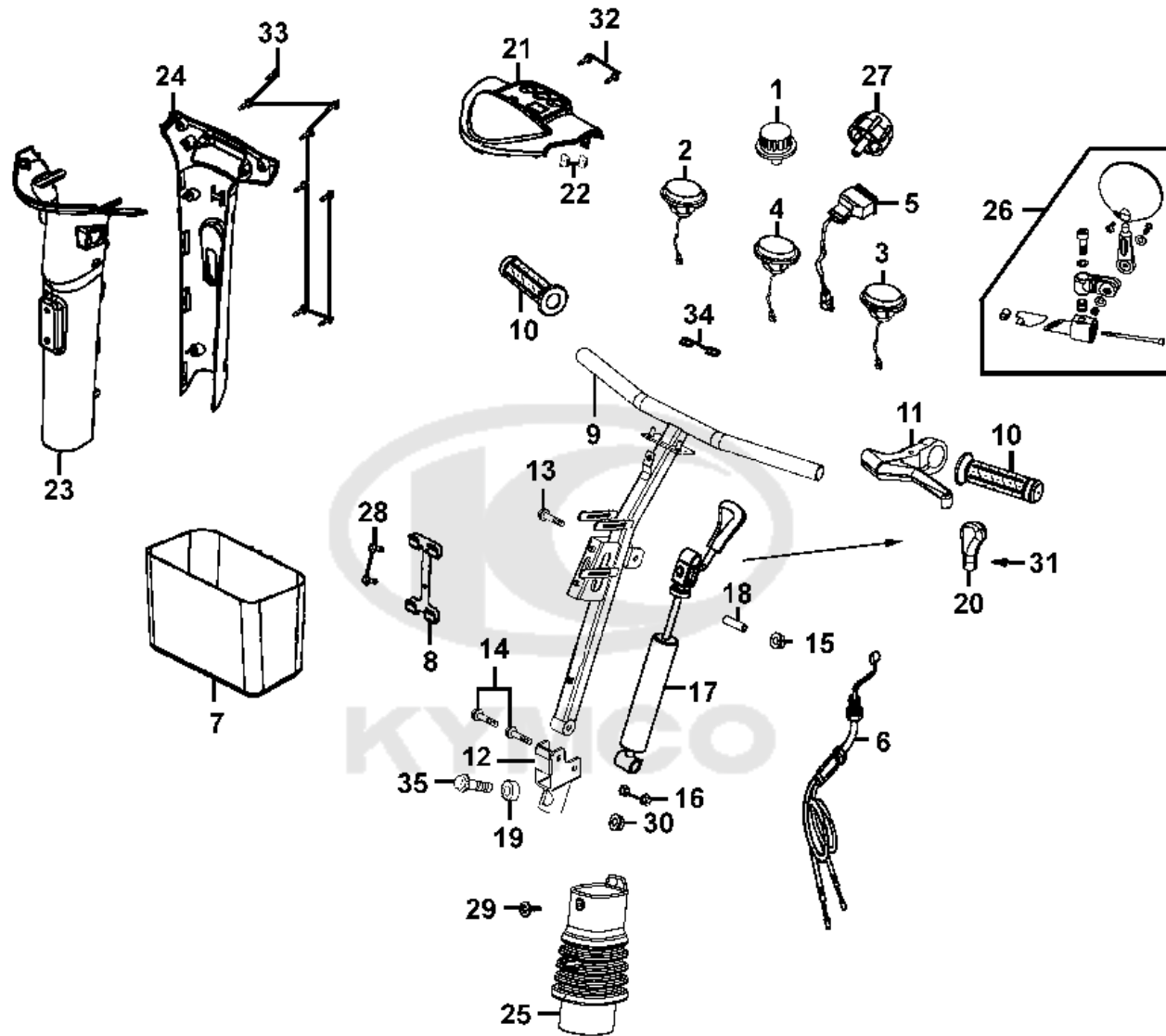
Sales mark	Ref no	Part no	Description	Reg description	Regd no	Ref Price	E01
	1	1110A-LAC5-900	Obsolete	Obsolete	1		
	3	11302-LAC5-900	RUBBER	RUBBER	2	6.50	
	4	13331-LAC5-900	KEY 4.8*4.8*30	KEY 4.8*4.8*30	2	3.25	
	5	31300-LAC5-M30	Obsolete	Obsolete	1		
	8	31340-LAC5-900	BRUSH ASSY	BRUSH ASSY	2	7.00	
	7	31345-LAC5-305	MOTOR BRUSH- MIDI XL/ SUPER 4/6/8/	MOTOR BRUSH- MIDI XL/ SUPER 4/6/8/	2	3.25	
	6	31347-LAC5-305	CAP BRUSH	CAP BRUSH	2	3.25	
	9	31350-LAC5-900	BRAKE ASSY	BRAKE ASSY	1	52.00	
	11	50350-LDB4-900	CONNECTOR MISSION	CONNECTOR MISSION	1	5.20	
	10	93891-04012-06	SCREW WASHER 4*12	SCREW WASHER 4*12	1	0.13	
	12	94050-08080-G	NUT FLANGE 8MM (C)	NUT FLANGE 8MM (C)	4	0.49	
	2	94510-19000	CIRCLIP EX 1.9	CIRCLIP EX 1.9	2	2.12	
	13	96600-06060-08G	SCOKET BOLT 8*18	SCOKET BOLT 8*18	2	3.25	



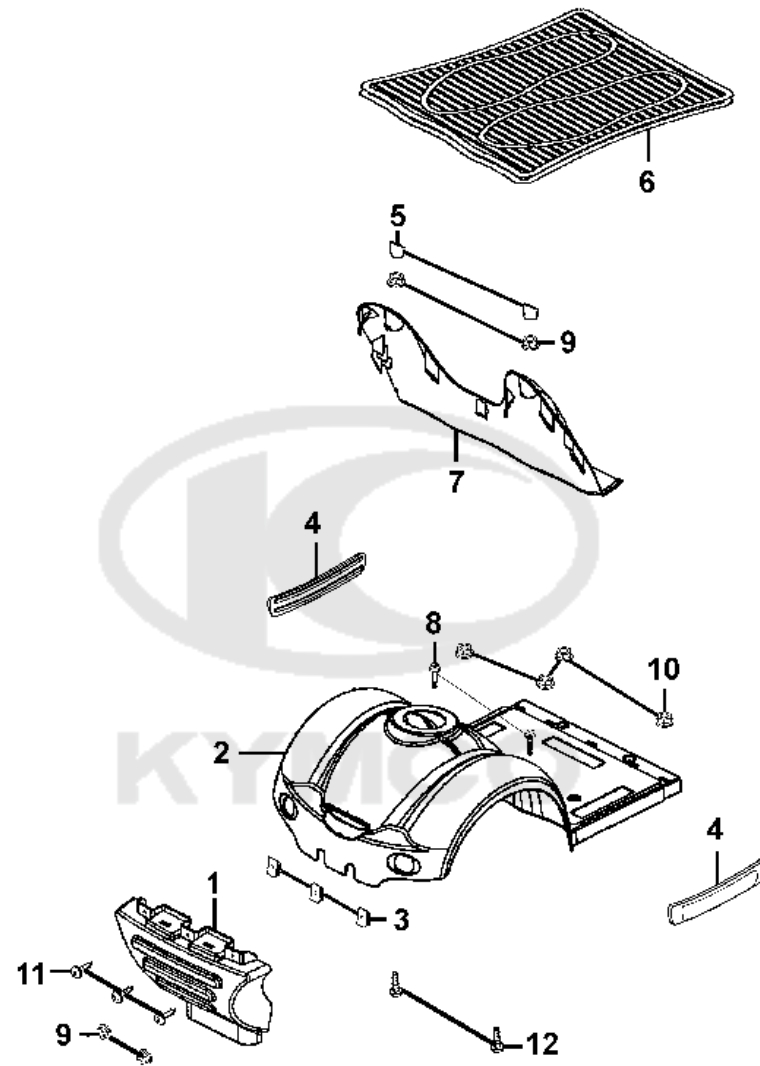
Sales mark	Ref no	Part no	Description	Reg description	Regd no	Ref Price	F01
	1	35110-LAC5-900	SPEED KNOB ALT 35110-LHD7-900	SPEED KNOB ALT 35110-LHD7-900	1	5.20	
	2	35150-LAC5-900	SW UNIT LIGHTING ALT 3150-LAC5-	SW UNIT LIGHTING ALT 3150-LAC5-900-R	1	6.50	
	3	35180-LAC5-900	SW UNIT HORN **(2) C.2007.02.05	SW UNIT HORN **(2) C.2007.02.05	1	6.50	
	4	35190-LAC5-900	SW UNIT HAZARD	SW UNIT HAZARD	1	6.50	
	5	35200-LAC5-900	SW UNIT WINKER ALT 35200-LAC5-900	SW UNIT WINKER ALT 35200-LAC5-900-R	1	6.50	
	6	45450-LAC5-700	BRAKE CABLE- EQ30BA + STRIDER	BRAKE CABLE- EQ30BA + STRIDER MIDI	1	7.22	
	7	50150-LAC5-900	BASKET ALT 50150-LAC5-910	BASKET ALT 50150-LAC5-910	1	18.20	
	8	50160-LAC5-900	STAY BASKET SET	STAY BASKET SET	1	5.20	
	9	53100-LAC5-900	HANDLE COMP STRG	HANDLE COMP STRG	1	22.10	
	12	53104-LAC5-900	STAY COMP HANDLE	STAY COMP HANDLE	1	29.25	
	19	53125-LAC5-900	COLLAR HANDLE SET	COLLAR HANDLE SET	1	3.25	
**	10	53166-LAC5-911	HAND GRIP	HAND GRIP	2	3.25	
	11	5317B-LAC5-900	BRACKET ASSY HANDLE LH	BRACKET ASSY HANDLE LH	1	9.75	
	11	5317B-LBE1-E70	BRAKE LEVER	BRAKE LEVER	1	16.25	
	17	53190-LAC5-90A	ADJUSTER HANDLE/ Gas strut	ADJUSTER HANDLE/ Gas strut	1	29.25	
	18	53191-LAC5-900	COLLAR ADJUSTER	COLLAR ADJUSTER	1	1.33	
	20	53196-LAC5-900	BLACK GRIP	BLACK GRIP	1	3.21	
**	23	53205-LAC5-900	COVER HANDLE FR **(4) C.2005.09.08	COVER HANDLE FR **(4) C.2005.09.08	1	18.20	
**	24	53206-LAC5-900	COVER HANDLE RR	COVER HANDLE RR	1	22.75	
**	21	53207-LAC5-900	METER COVER **(5) C.2006.01.18	METER COVER **(5) C.2006.01.18	1	10.40	

F01

Handle Steering



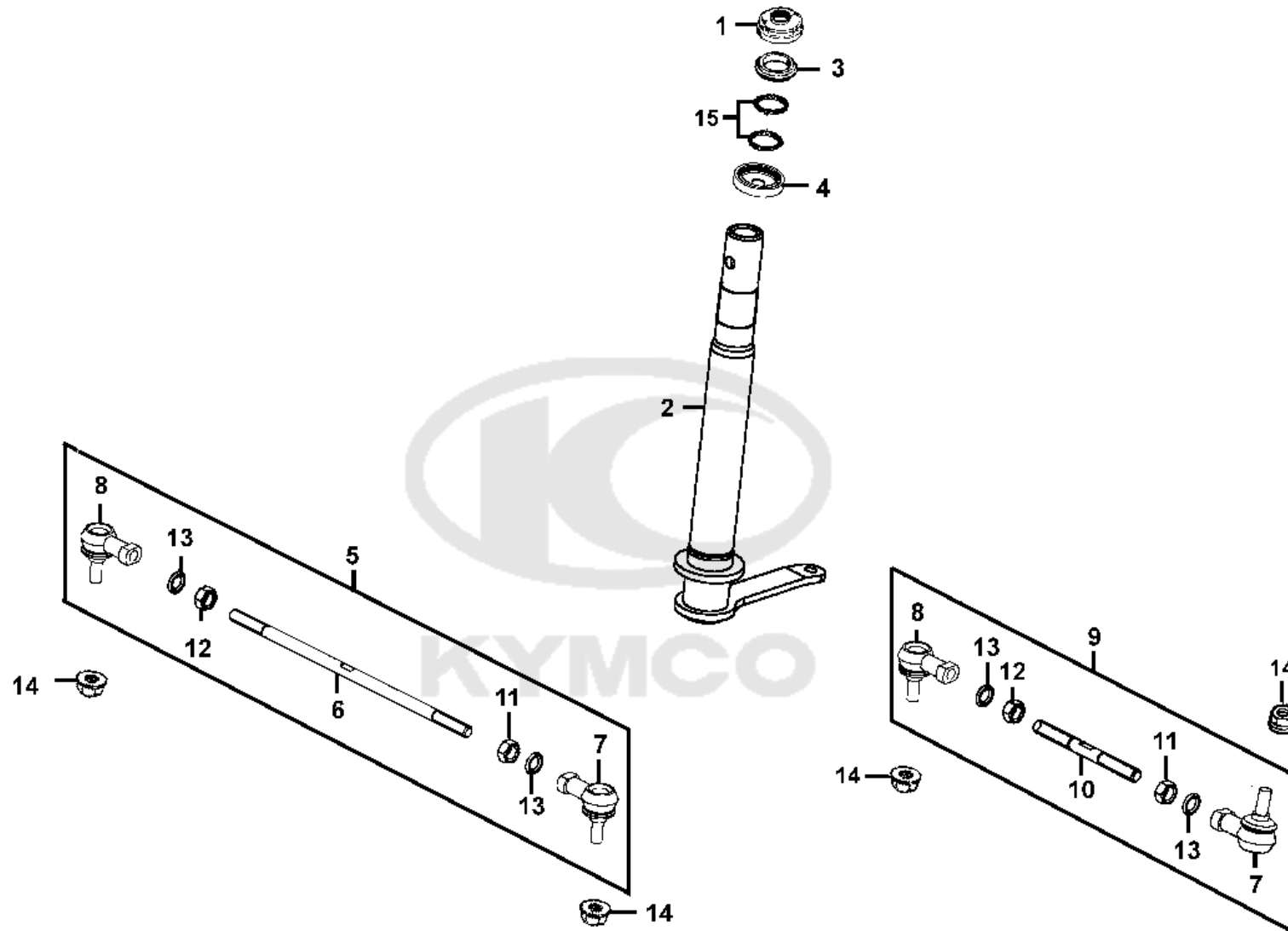
Sales mark	Ref no	Part no	Description	Reg description	Regd no	Ref Price	F01
	25	53209-LAC5-900	COVER DUST	COVER DUST	1	11.70	
	14	53406-LAC5-900	BOLT HANDLE SET	BOLT HANDLE SET	1	3.25	
	26	88120-LAC5-910	MIRROR ASSY BACK	MIRROR ASSY BACK	1	16.25	
	27	88130-LAC5-900	CAP HANDLE PIPE	CAP HANDLE PIPE	1	5.00	
	16	90301-4C73-004	NUT U 6MM **473-0040 C.2005.03.01	NUT U 6MM **473-0040 C.2005.03.01	2	0.25	
	28	90302-GFY6-911	BOLT-WASH 5*12	BOLT-WASH 5*12	2	3.25	
	29	90302-KEC8-910	BOLT PAN 5*9	BOLT PAN 5*9	2	3.25	
	22	90302-LAC5-004	NUT SPRING 4MM	NUT SPRING 4MM	5	3.25	
	30	90309-GLW0-90A	NUT U FLANGE 8MM **(0) C.2009.03.05	NUT U FLANGE 8MM **(0) C.2009.03.05	1	0.85	
	31	93500-04010-0F	SCREW PAN 4X10(G)	SCREW PAN 4X10(G)	1	0.64	
	33	93903-34380-G	SCREW TAPPING 4x12	SCREW TAPPING 4x12	1	3.25	
	32	93903-GFY6-910	BOLT-WASH 5*12	BOLT-WASH 5*12	2	3.25	
	34	94050-05080-G	NUT FLANGE 5MM(Cr3+) ALT 94050-	NUT FLANGE 5MM(Cr3+) ALT 94050-05080	2		
	15	94050-08080-G	NUT FLANGE 8MM (C)	NUT FLANGE 8MM (C)	3	0.49	
	13	95801-08035-06	BOLT FLANGE 8*35 **LLJ1-900	BOLT FLANGE 8*35 **LLJ1-900	1	0.36	
	35	95801-08045-08G	BOLT FLANGE 8*45	BOLT FLANGE 8*45	1	0.49	



Sales mark	Ref no	Part no	Description	Reg description	Regd no	Ref Price	F02
**	1	64302-LAC5-900	FRONT PLASTIC BUMPER- SUPER	FRONT PLASTIC BUMPER- SUPER 4/6/8/	1	8.45	
**	2	64310-LAC5-900	FR FLOOR PANEL- MIDI RANGE-	FR FLOOR PANEL- MIDI RANGE-	1	81.25	
**	4	64311-LAC5-900	MOLD A	MOLD A	2	3.25	
**	5	64316-LAC5-900	PLUG FLOOR	PLUG FLOOR	2	3.25	
**	6	64320-LAC5-900	FLOOR MAT- MIDI RANGE- BLACK	FLOOR MAT- MIDI RANGE- BLACK MAT	1	11.05	
**	7	64330-LAC5-900	COVER FLOOR	COVER FLOOR	1	9.75	
	8	90023-LAC5-001	BOLT SEAT LOCK 6X13.5	BOLT SEAT LOCK 6X13.5	2	3.25	
	9	90301-LAC5-001	NUT 6MM OPENSTAY	NUT 6MM OPENSTAY	3	3.25	
	10	90301-LAC5-671	NUT FLANGE 6MM	NUT FLANGE 6MM	6	3.25	
	3	90302-LAC5-004	NUT SPRING 4MM	NUT SPRING 4MM	5	3.25	
	11	93903-14380-G	SCREWTAPPING 4x12	SCREWTAPPING 4x12	1	3.25	
	12	93903-34380-G	SCREW TAPPING 4x12	SCREW TAPPING 4x12	1	3.25	

F03

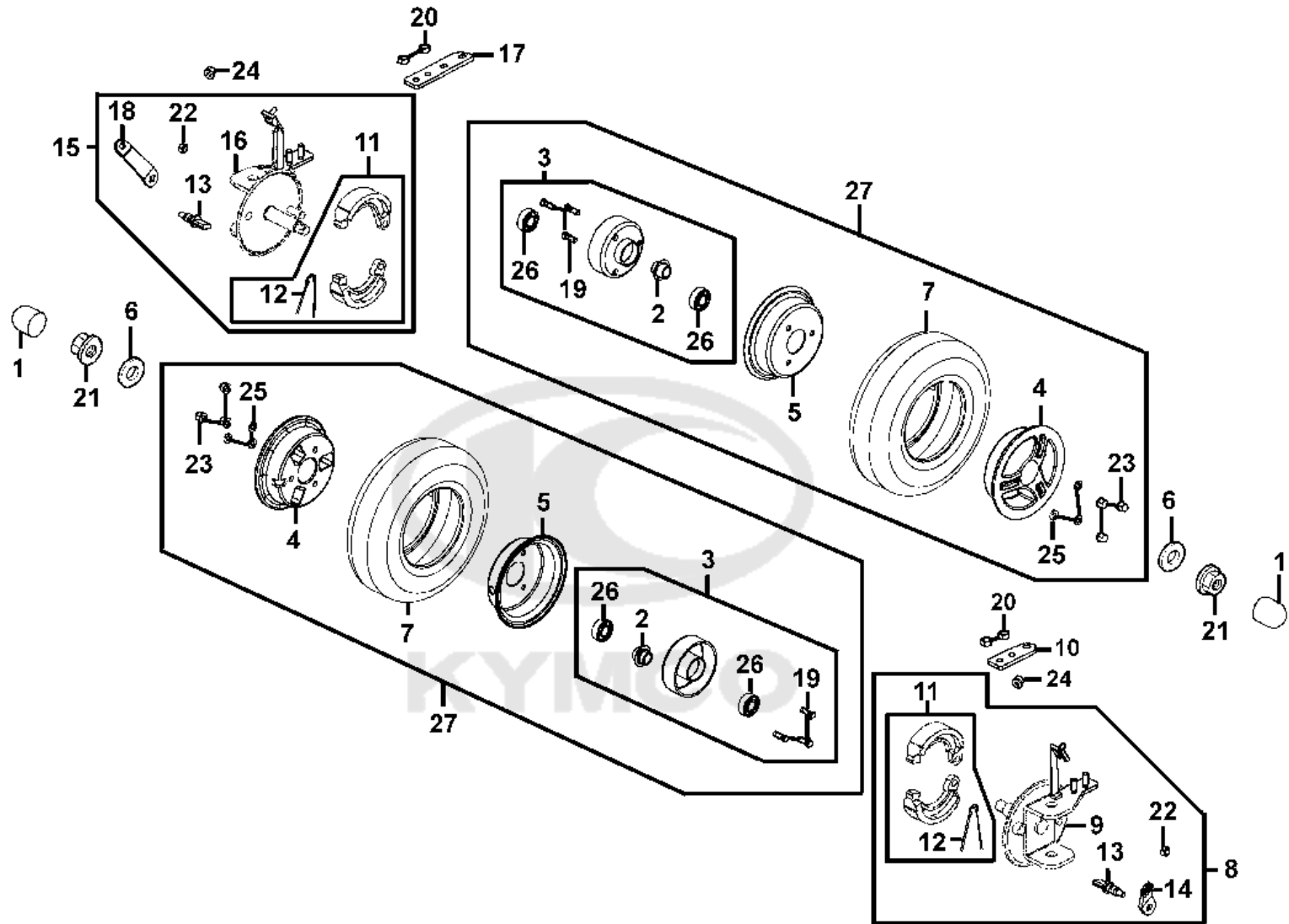
Stem Steering



Sales mark	Ref no	Part no	Description	Reg description	Regd no	Ref Price	F03
	1	50306-1F96-001	NUT STRG STEM LOCK	NUT STRG STEM LOCK	1	1.18	
	2	53200-LAC5-700	STEM COMP STRG **(4) C.V.	STEM COMP STRG **(4) C.V.	1	19.50	
	3	53211-GFY6-940	RACE STRG TOP CONE **GY6-9400	RACE STRG TOP CONE **GY6-9400	1	1.87	
	4	53212-LDB4-004	ORDER 53212-GHC8-004	ORDER 53212-GHC8-004	1	3.25	
	5	53700-LAC5-700	ROAD ASSY STEERING alt 53700-LAC5	ROAD ASSY STEERING alt 53700-LAC5-	1	13.00	
	6	53701-LAC5-700	ROD COMP SWING	ROD COMP SWING	1	16.25	
	7	53702-LAC5-900	BALL JOINT R	BALL JOINT R	2	6.50	
	8	53703-LAC5-900	JOINT L BALL	JOINT L BALL	2	16.25	
	9	53800-LAC5-700	ROD ASSY STEERING	ROD ASSY STEERING	1	13.00	
	10	53801-LAC5-700	ROD COMP STEERING	ROD COMP STEERING	1	11.70	
	14	90309-GLW0-90A	NUT U FLANGE 8MM **(0) C.2009.03.05	NUT U FLANGE 8MM **(0) C.2009.03.05	4	0.85	
	11	94001-08080-0S	NUT HEX 8MM	NUT HEX 8MM	2	0.49	
	12	94001-LAC5-900	NUT HEX 8MM L	NUT HEX 8MM L	2	0.55	
	13	94111-08800	WASHER SPRING 8MM	WASHER SPRING 8MM	4	0.33	
	15	96211-05000	BALL BEARING PACK OF 100	BALL BEARING PACK OF 100	55	3.25	

F04

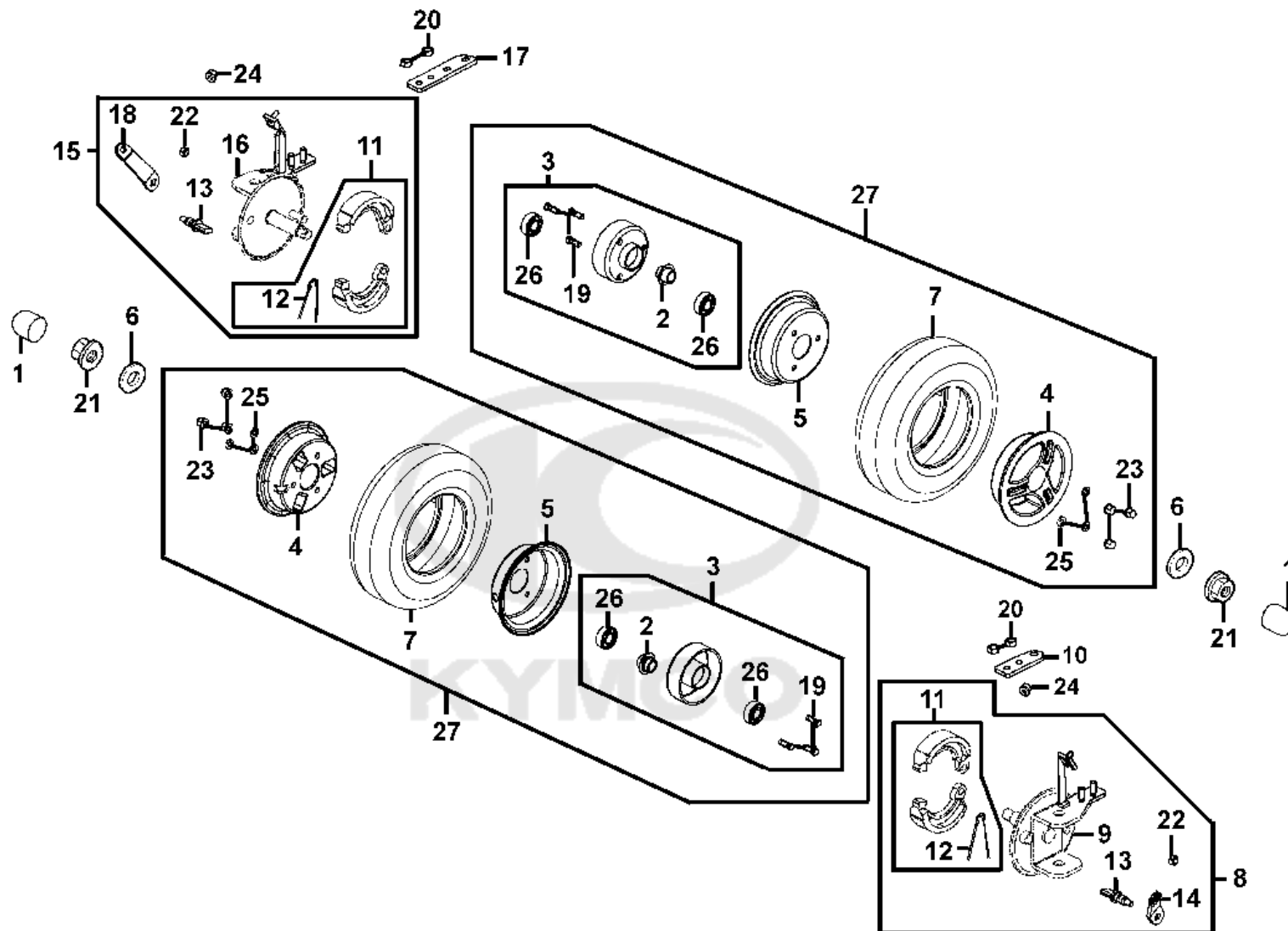
Front Wheel





Sales mark	Ref no	Part no	Description	Reg description	Regd no	Ref Price	F04
	1	44315-LAC5-900	CAP FR AXLE **(0) C.2003.10.22	CAP FR AXLE **(0) C.2003.10.22	2	3.25	
	27	44600-LAC5-E00	WHEEL ASSY FR	WHEEL ASSY FR	2	44.00	
	2	44620-LAC5-900	DIST COLLAR	DIST COLLAR	2	3.25	
	3	44650-LAC5-900	WHEEL COMP FR	WHEEL COMP FR	2	18.85	
	4	44701-LAC5-900	RIM CAST FR	RIM CAST FR	2	13.00	
	5	44702-LAC5-900	RIM COMP FR	RIM COMP FR	2	12.35	
	6	44705-LAC5-900	WASHER 12MM	WASHER 12MM	2	3.25	
	7	44710-LAC5-900	ORDER 44710-LAC5-90B	ORDER 44710-LAC5-90B	2	22.00	
	8	45000-LAC5-700	Obsolete	Obsolete	1		
	9	45100-LAC5-700	PANEL COMP FR R/H	PANEL COMP FR R/H	1		
	10	45101-LAC5-700	BAR RH STRG	BAR RH STRG	1	3.25	
	11	4512A-LAC5-900	Brake shoe	Brake shoe	2	6.04	
	12	45133-LAC5-900	SPG BRAKE SHOE **(0) C.2005.07.13	SPG BRAKE SHOE **(0) C.2005.07.13	2	0.81	
	13	45141-LAC5-900	CAM FR BRK R/H	CAM FR BRK R/H	2	13.00	
	14	45410-LAC5-900	ARM FR BRK R/H	ARM FR BRK R/H	1	13.00	
	15	46000-LAC5-700	PANEL ASSY FR L/H	PANEL ASSY FR L/H	1		
	16	46100-LAC5-700	Obsolete	Obsolete	1		
	17	46101-LAC5-700	BAR LH STRG	BAR LH STRG	1	9.75	
	18	46410-LAC5-900	ARM FR BRAKE L/H	ARM FR BRAKE L/H	1	9.75	
	19	90105-LAC5-900	BOLT M8*20 **(0) C.2005.09.08	BOLT M8*20 **(0) C.2005.09.08	6	3.25	

F04

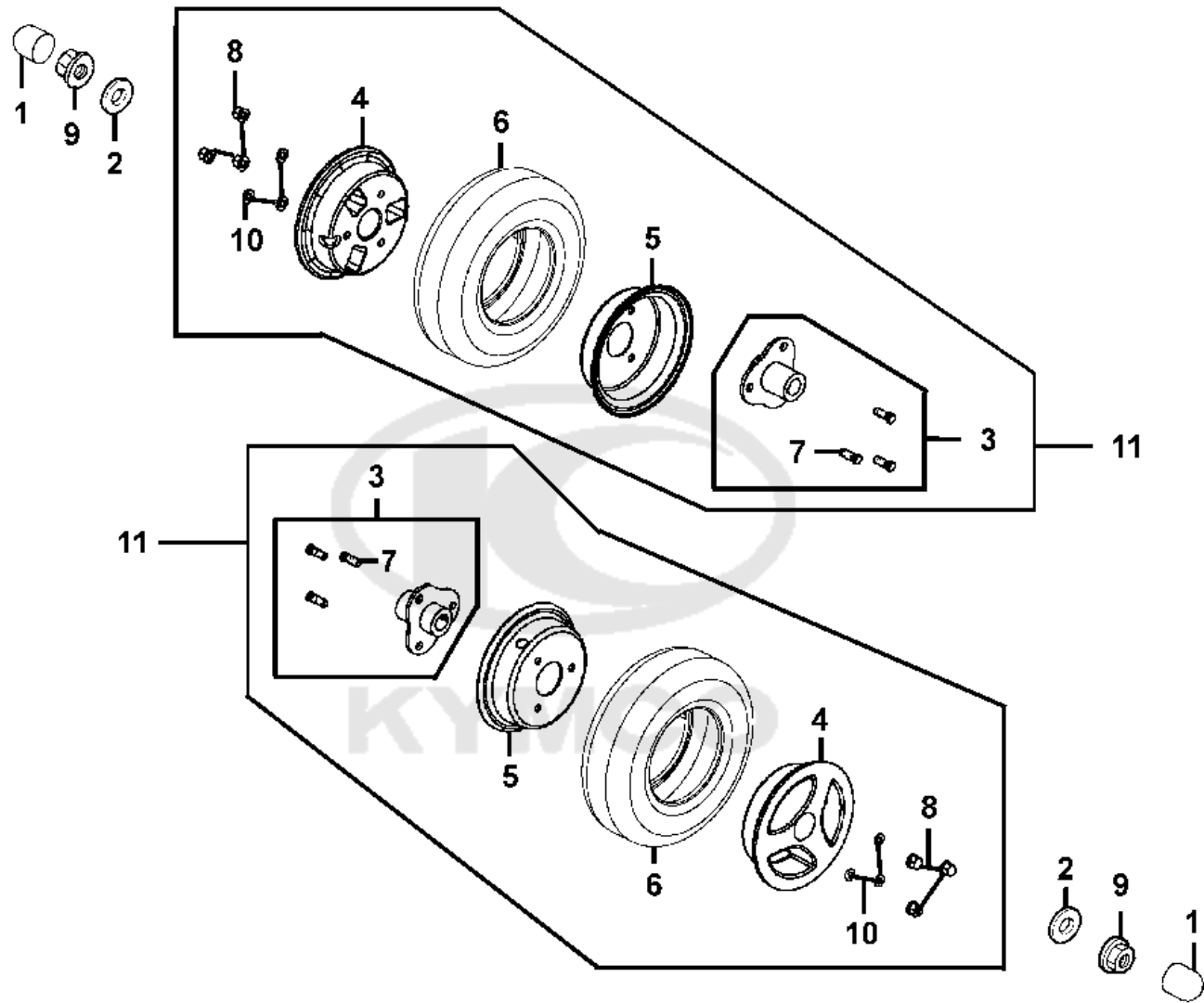
Front Wheel



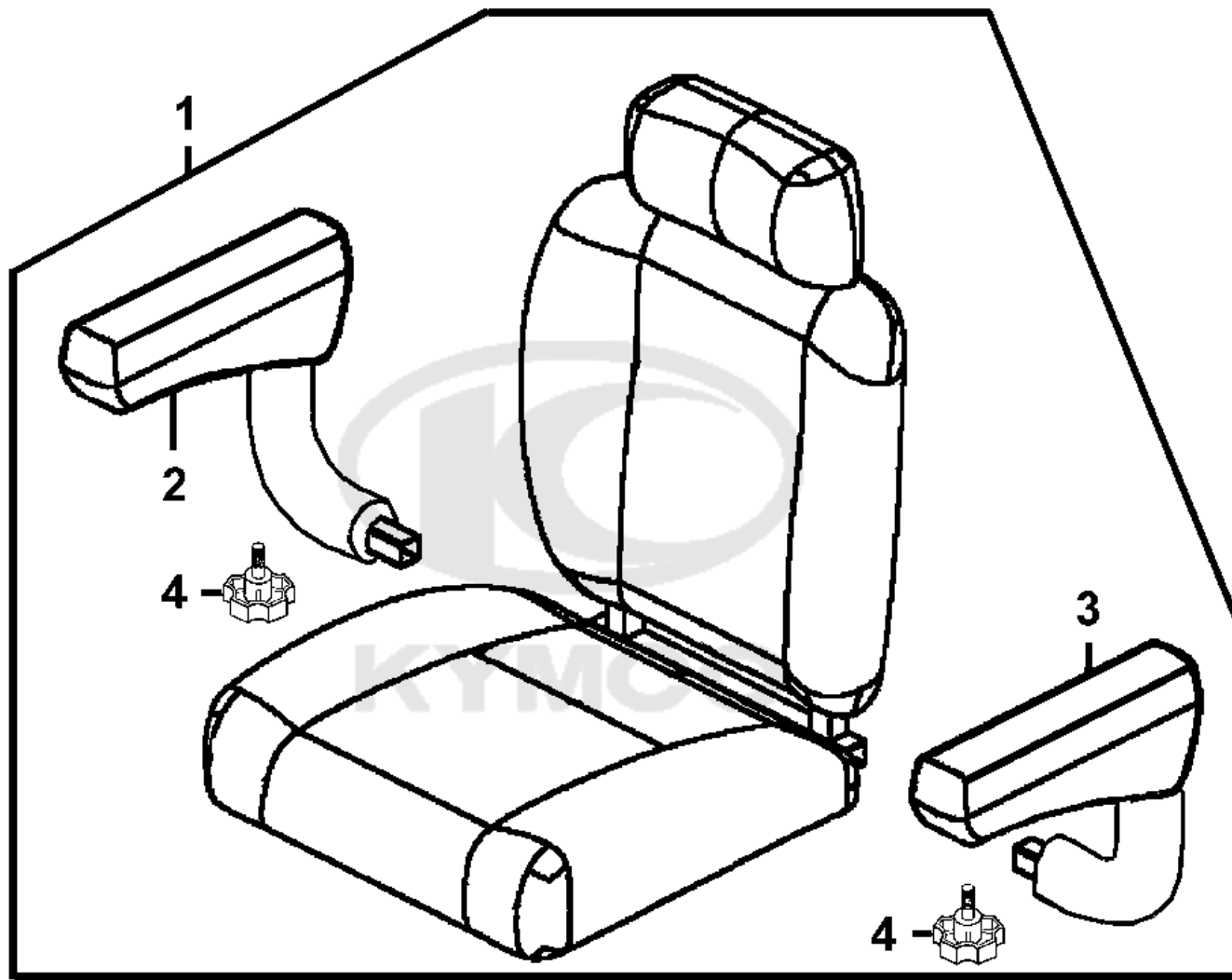
Sales mark	Ref no	Part no	Description	Reg description	Regd no	Ref Price	F04
20		90301-KKAK-900	NUT U 6MM (Cr)	NUT U 6MM (Cr)	4	0.89	
21		90304-GHE8-004	NUT U 10MM **GE8-0040 C.2005.03.01	NUT U 10MM **GE8-0040 C.2005.03.01	2	0.68	
22		94001-06080-0SG	NUT HEX 6MM	NUT HEX 6MM	1	3.25	
23		94021-08020-0S	NUT HEX CAP 8MM	NUT HEX CAP 8MM	6	3.25	
24		94050-05080-G	NUT FLANGE 5MM(Cr3+) ALT 94050-	NUT FLANGE 5MM(Cr3+) ALT 94050-05080	2		
25		94111-08800	WASHER SPRING 8MM	WASHER SPRING 8MM	6	0.33	
26		96120-62020-00	BRG RADIAL BALL 6202	BRG RADIAL BALL 6202	4	3.73	
							
							

F05

Rear Wheel



Sales mark	Ref no	Part no	Description	Reg description	Regd no	Ref Price	F05
	1	42315-LAC5-900	CAP RR AXLE **(0) C.2003.10.22	CAP RR AXLE **(0) C.2003.10.22	2	3.25	
	11	42600-LAC5-E00	WHEEL ASSY REAR	WHEEL ASSY REAR	2	38.00	
	2	42705-LAC5-900	WASHER 12MM RR WHEEL	WASHER 12MM RR WHEEL	2	3.25	
	3	4270A-LAC5-900	CONNECTOR ASSY RR	CONNECTOR ASSY RR	2	13.00	
	4	44701-LAC5-900	RIM CAST FR	RIM CAST FR	2	13.00	
	5	44702-LAC5-900	RIM COMP FR	RIM COMP FR	2	12.35	
	6	44710-LAC5-900	ORDER 44710-LAC5-90B	ORDER 44710-LAC5-90B	2	22.00	
	7	90105-LAC5-900	BOLT M8*20 **(0) C.2005.09.08	BOLT M8*20 **(0) C.2005.09.08	6	3.25	
	9	90306-GLW0-90A	NUT FLANGE 12MM **(0) C.2009.03.05	NUT FLANGE 12MM **(0) C.2009.03.05	1	0.85	
	8	94021-08020-0S	NUT HEX CAP 8MM	NUT HEX CAP 8MM	6	3.25	
	10	94111-08800	WASHER SPRING 8MM	WASHER SPRING 8MM	6	0.33	



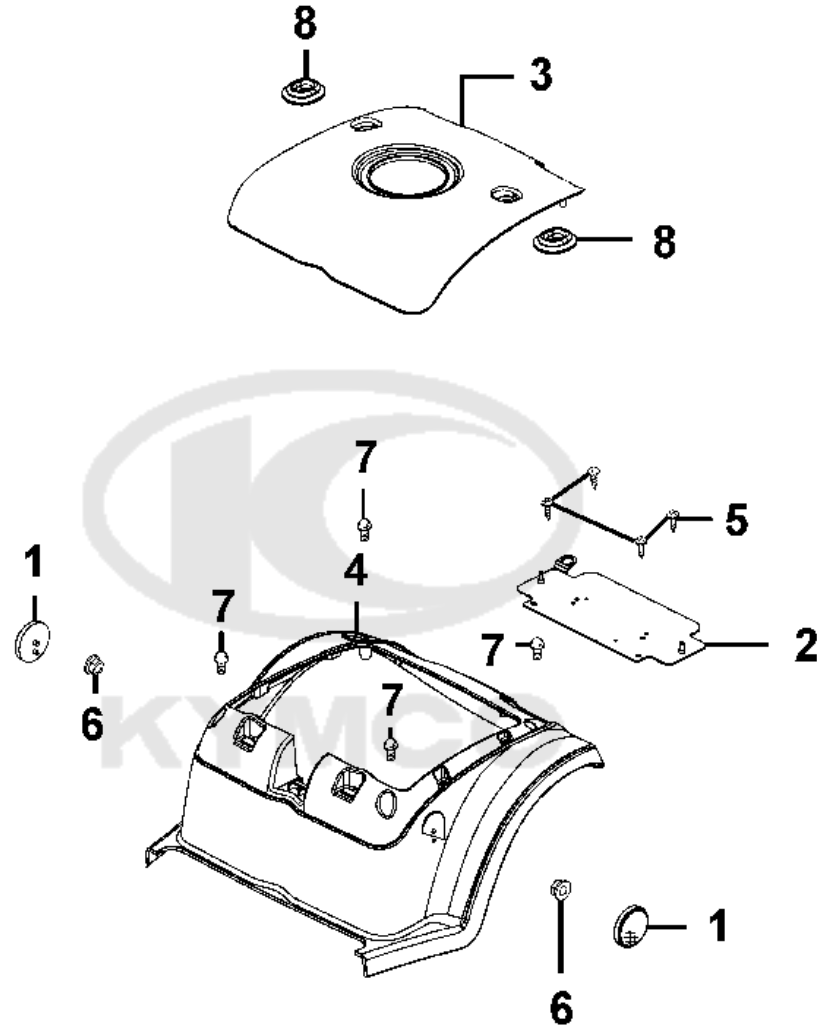
Sales mark	Ref no	Part no	Description	Reg description	Regd no	Ref Price	F06
------------	--------	---------	-------------	-----------------	---------	-----------	-----

	2	77100-LAC5-900	R/H USE 77100-LDB4-700	R/H USE 77100-LDB4-700	1	31.20	
**	1	77200-LAC5-900	SEAT ASSY	SEAT ASSY	1	164.81	
	4	77223-LAC5-305	BOLT LOCK ARM REST	BOLT LOCK ARM REST	2	3.25	
	3	77300-LAC5-900	L/H USE 77300-LDB4-700	L/H USE 77300-LDB4-700	1	31.20	



F07

Body Cover

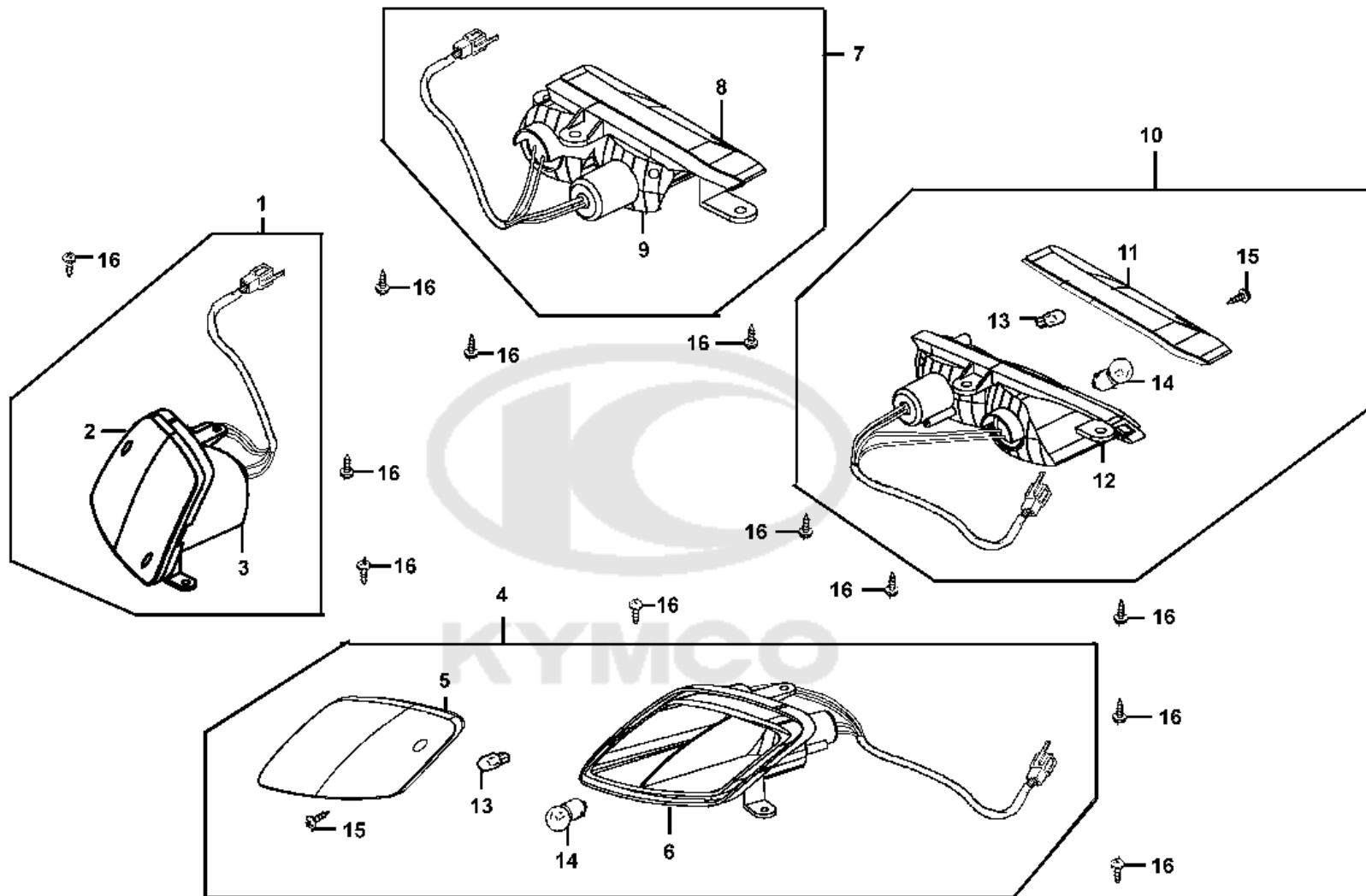


Sales mark	Ref no	Part no	Description	Reg description	Regd no	Ref Price	F07
	1	33741-GFY6-C30	REFLEX REFLECTOR ORANGE	REFLEX REFLECTOR ORANGE	2	2.08	
	2	50227-LAC5-700	STAY.ECU	STAY.ECU	1	9.75	
**	3	83500-LAC5-900	REAR BATTERY COVER- MIDI RANGE-	REAR BATTERY COVER- MIDI RANGE-	1	22.75	
	8	83551-KKAK-900	GROMMET AIR/C CASE **KAK-9000	GROMMET AIR/C CASE **KAK-9000	2	0.64	
**	4	83600-LAC5-900	REAR BODY PANEL- MIDI RANGE-	REAR BODY PANEL- MIDI RANGE-	1	65.00	
	5	93903-34380-G	SCREW TAPPING 4x12	SCREW TAPPING 4x12	1	3.25	
	6	94050-06080-G	NUT FLANGE 6MM	NUT FLANGE 6MM	2	0.49	
	7	95701-06012-06	BOLT FLANGE 6*12 **07 C.2005.07.01	BOLT FLANGE 6*12 **07 C.2005.07.01	1	0.47	



F08

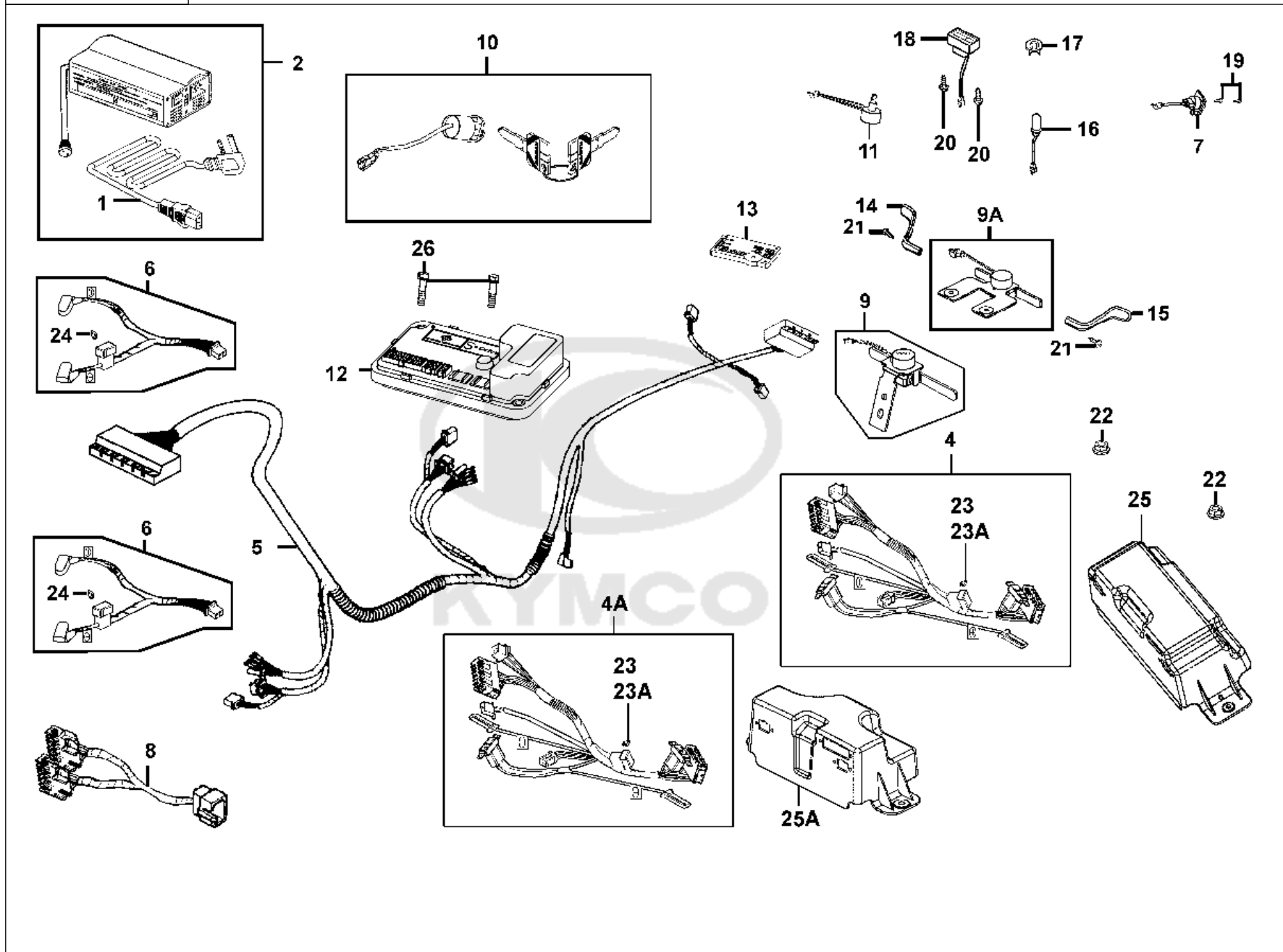
Winker



Sales mark	Ref no	Part no	Description	Reg description	Regd no	Ref Price	F08
	1	33400-LAC5-900	WINKER ASSY RH FR	WINKER ASSY RH FR	1	16.25	
	2	33401-LAC5-900	LENS COMP R FR WINKER	LENS COMP R FR WINKER	1	6.50	
	3	33404-LAC5-900	BASE COMP R FR WINKER	BASE COMP R FR WINKER	1	26.00	
	4	33450-LAC5-900	WINKER ASSY LH FR	WINKER ASSY LH FR	1	16.25	
	5	33451-LAC5-900	LENS L FR WINKER CLEAR/ORANGE	LENS L FR WINKER CLEAR/ORANGE	1	6.50	
	6	33454-LAC5-900	BASE COMP L FR WINKER	BASE COMP L FR WINKER	1	9.75	
	7	33600-LAC5-900	WINKER ASSY RH RR	WINKER ASSY RH RR	1	16.25	
	8	33601-LAC5-900	LENS COMP R RR WINKER	LENS COMP R RR WINKER	1	6.50	
	9	33604-LAC5-900	BASE COMP R RR WINKER	BASE COMP R RR WINKER	1	9.75	
	10	33650-LAC5-900	WINKER ASSY LH RR	WINKER ASSY LH RR	1	16.25	
	11	33651-LAC5-900	LENS COMP L RR WINKER	LENS COMP L RR WINKER	1	6.50	
	12	33654-LAC5-900	BASE COMP L RR WINKER	BASE COMP L RR WINKER	1	6.50	
	13	34903-LAC5-900	BULB POSITION	BULB POSITION	4	3.25	
	14	34905-LAC5-900	BULB WINKER 24V 10W	BULB WINKER 24V 10W	4	3.25	
	15	93901-32310	SCREW TAPPING 3*12	SCREW TAPPING 3*12	4	3.25	
	16	93903-34380-G	SCREW TAPPING 4x12	SCREW TAPPING 4x12	1	3.25	

F09

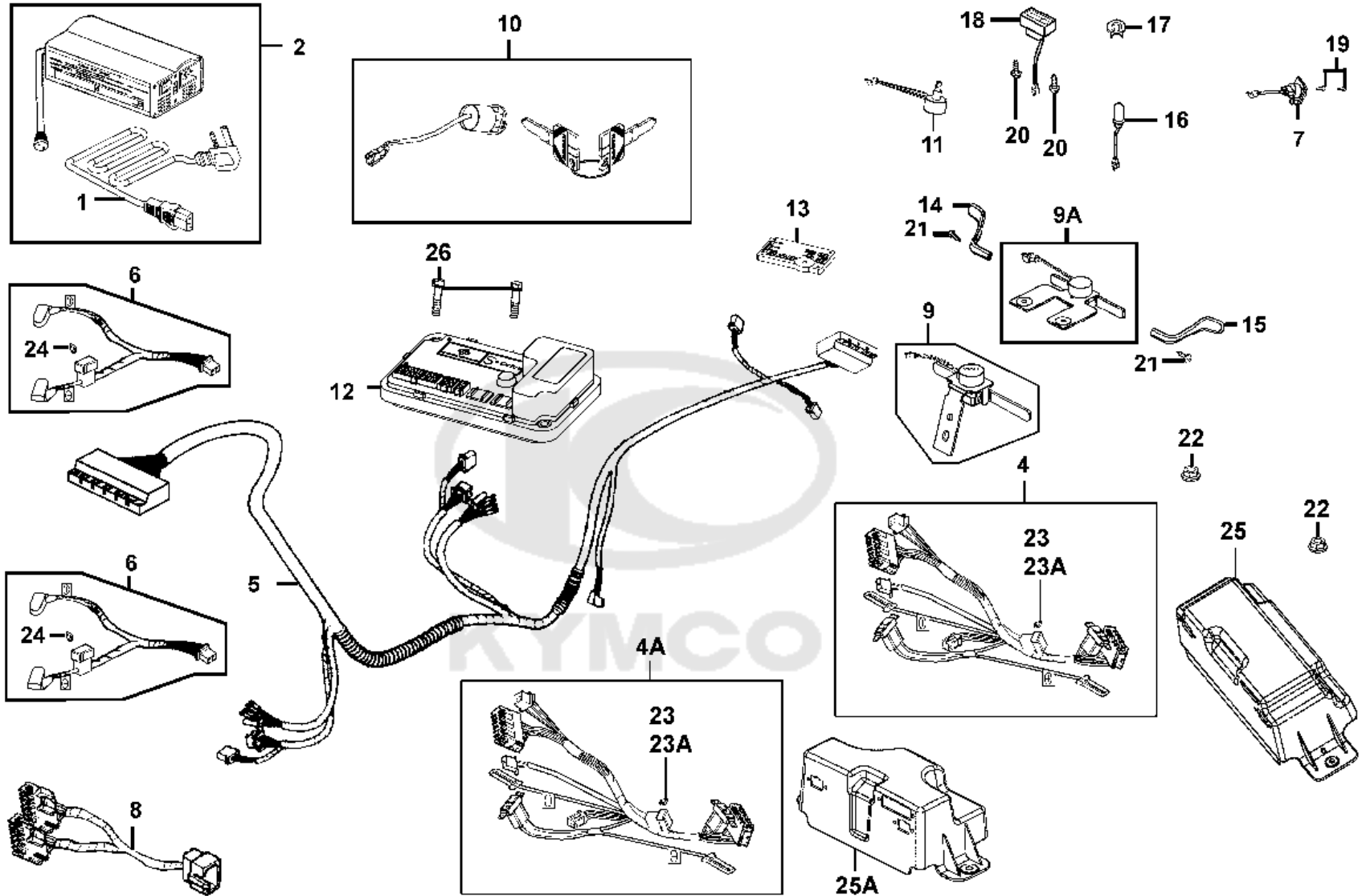
Harness Wire



Sales mark	Ref no	Part no	Description	Reg description	Regd no	Ref Price	F09
	1	31280-LAC5-E20	CORD AC POWER	CORD AC POWER	1	6.50	
	2	31800-LAC5-E21	BATTERY CHARGER ASSY	BATTERY CHARGER ASSY	1	70.00	
	5	32100-LAC5-910	Obsolete	Obsolete	1		
	5	32100-LAC5-920	Obsolete	Obsolete	1		
	4	32101-LAC5-910	Obsolete	Obsolete	1		
	4A	32101-LDB4-E72	Obsolete	Obsolete	1		
	4A	32101-LDB4-E73	SUB HARNESS A	SUB HARNESS A	1	19.50	
	6	32201-LAC5-900	CONNECT CORD BATTERY	CONNECT CORD BATTERY	2	24.70	
	7	32620-LAC5-900	SOCKET CHARGER	SOCKET CHARGER	1	8.45	
	8	33710-LAC5-900	REAR LIGHT LOOM	REAR LIGHT LOOM	1	3.25	
	9	34010-LAC5-305	THROTTLE ALT 34010-LAC5-900	THROTTLE ALT 34010-LAC5-900	1		
	9A	34010-LAC5-306	THROTTLE ALT 34010-LAC5-900	THROTTLE ALT 34010-LAC5-900	1		
	9A	34010-LAC5-900	THROTTLE	THROTTLE	1	39.00	
	10	35010-LAC5-E00	KEY SET	KEY SET	1	16.25	
	11	35115-LAC5-900	SPEED POT 20K?	SPEED POT 20K?	1	11.70	
	12	36000-LAC5-E20	Obsolete	Obsolete	1		
	13	36100-AAH6-E20	CONTROL METER	CONTROL METER	1	42.50	
	14	36108-LBE1-900	LEVER RH SPEED THROTTLE	LEVER RH SPEED THROTTLE	1	6.50	
	15	36109-LBE1-900	LEVER LH SPEED THROTTLE	LEVER LH SPEED THROTTLE	1	6.50	
	16	36110-LAC5-900	LED	LED	1	3.25	

F09

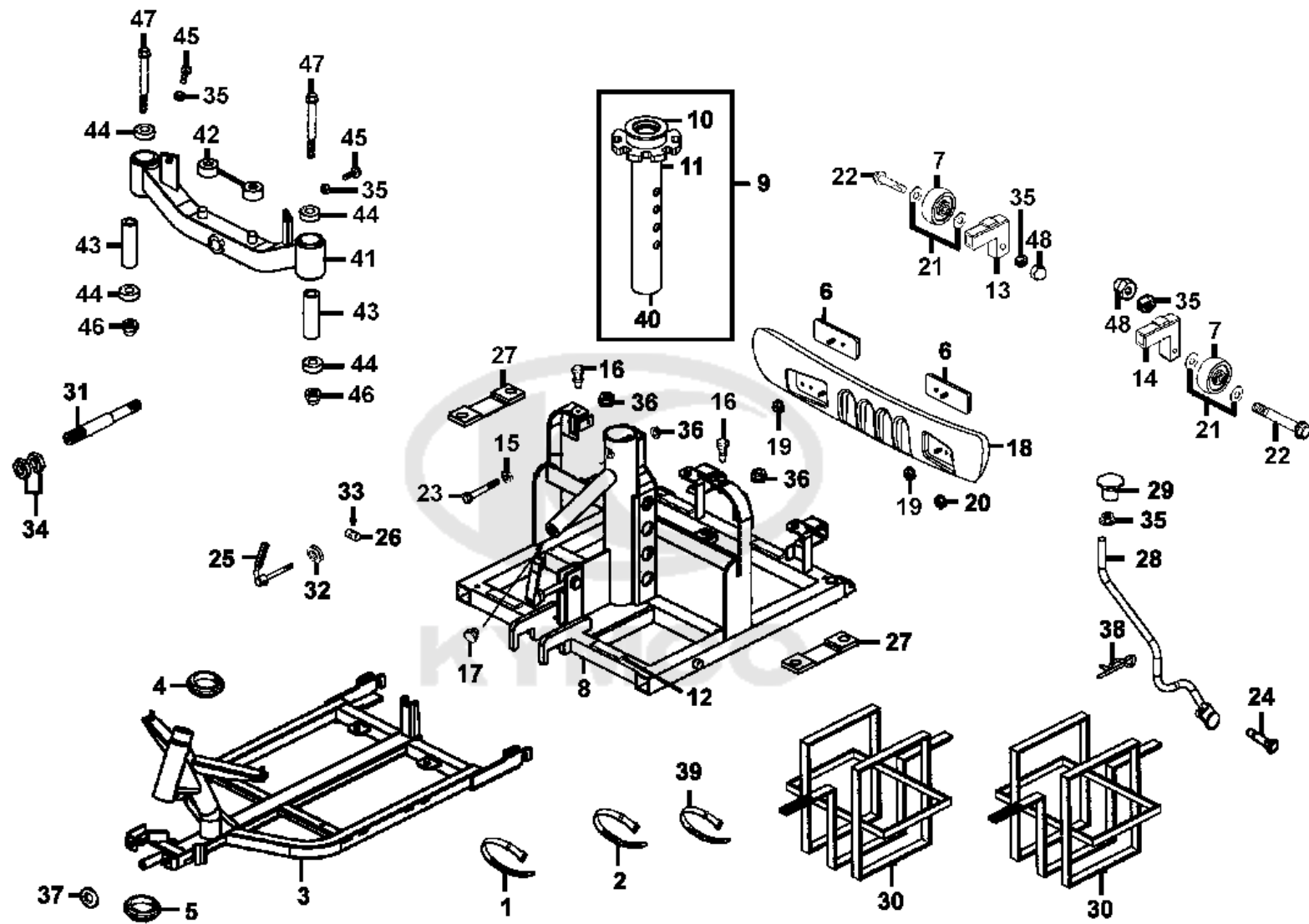
Harness Wire



Sales mark	Ref no	Part no	Description	Reg description	Regd no	Ref Price	F09
	17	36120-LAC5-900	LED HOUSE	LED HOUSE	1	3.25	
	18	37806-LAC5-900	VU METER **(0) C.2005.09.08	VU METER **(0) C.2005.09.08	1	9.10	
	25	80101-LAC5-900	COVER ELEC CONTROL UNIT	COVER ELEC CONTROL UNIT	1		
	25A	80101-LDB4-900	COVER ELEC CONTROL UNIT	COVER ELEC CONTROL UNIT	1	11.70	
	26	93500-04030-0HG	SCREW PAN 4*30	SCREW PAN 4*30	1	3.25	
	19	93901-32120	SCREW TAPPING 3*8 *(1) C.V.	SCREW TAPPING 3*8 *(1) C.V.	4	0.26	
	20	93903-25460	SCREW TAPPING 5*20 **93903-25480	SCREW TAPPING 5*20 **93903-25480	2	0.25	
	21	93903-34760	SCREW TAPPING 4*30	SCREW TAPPING 4*30	2	0.41	
	22	94050-06080-G	NUT FLANGE 6MM	NUT FLANGE 6MM	2	0.49	
	23	98200-30200	BLADE FUSE 2A	BLADE FUSE 2A	1	3.25	
	23A	98200-31000	BLADE FUSE 10A *(0) C.2005.03.01	BLADE FUSE 10A *(0) C.2005.03.01	1	3.25	
	24	98200-34000	BLADE FUSE 40A	BLADE FUSE 40A	2	1.27	

F10

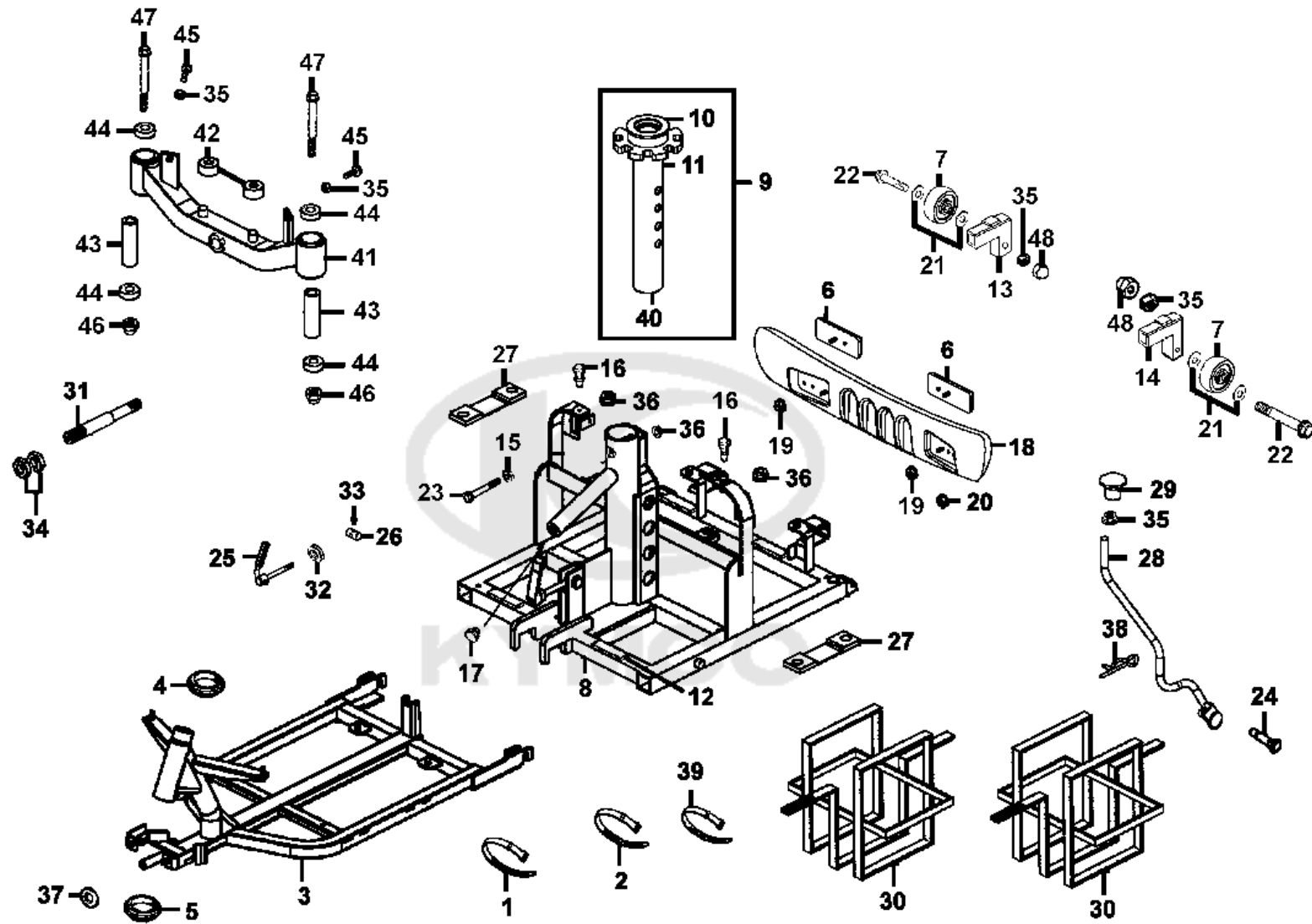
Frame Body



Sales mark	Ref no	Part no	Description	Reg description	Regd no	Ref Price	F10
	1	31510-LAC5-900	BAND BATTERY	BAND BATTERY	1	3.25	
	2	31520-LAC5-900	BAND B BATTERY	BAND B BATTERY	1	3.25	
	6	33741-KEBE-900	REFLEX REFLECTOR **KBE-9000	REFLEX REFLECTOR **KBE-9000	2	2.83	
	7	42800-LAC5-900	ANTI-TIP WHEEL	ANTI-TIP WHEEL	2	3.25	
	43	47403-LBB7-E00	COLLAR STRG SHAFT	COLLAR STRG SHAFT	2	3.25	
	3	50110-LAC5-700	BODY COMP FRONT FRAME	BODY COMP FRONT FRAME	1	52.00	
	8	50120-LAC5-800	CODY COMP REAR FRAME	CODY COMP REAR FRAME	1	53.80	
	9	50135-LAC5-900	PIPE B SEAT SET **(8) C.2005.09.08	PIPE B SEAT SET **(8) C.2005.09.08	1	18.20	
	10	50136-LAC5-900	RUBBER SEAT SET	RUBBER SEAT SET	1		
	11	50137-LAC5-900	RUBBER A SEAT PIPE	RUBBER A SEAT PIPE	1		
	40	50138-LAC5-900	RUBBER B SEAT PIPE	RUBBER B SEAT PIPE	1		
	12	50222-LAC5-900	RUBBER BATTERY SET	RUBBER BATTERY SET	4	3.25	
	13	50231-LAC5-700	BRKT R REAR WHEEL	BRKT R REAR WHEEL	1	5.20	
	14	50232-LAC5-700	BRKT L REAR WHEEL	BRKT L REAR WHEEL	1	5.20	
	24	50234-LAC5-900	SHAFT BRAKE LEAVE **(0)	SHAFT BRAKE LEAVE **(0) C.2005.09.08	1	5.20	
	4	50301-LDB4-001	RACE UP STRG BALL	RACE UP STRG BALL	1	3.25	
	25	50302-LDB4-900	SHAFT SET LOCK	SHAFT SET LOCK	1	3.25	
	15	50303-LAC5-900	COLLAR SEAT SET PIPE	COLLAR SEAT SET PIPE	1	3.25	
	26	50304-LDB4-900	COLLAR FRAME LOCK	COLLAR FRAME LOCK	1	3.25	
	27	50305-LAE9-E00	RUBBER MOTOR	RUBBER MOTOR	2	4.55	

F10

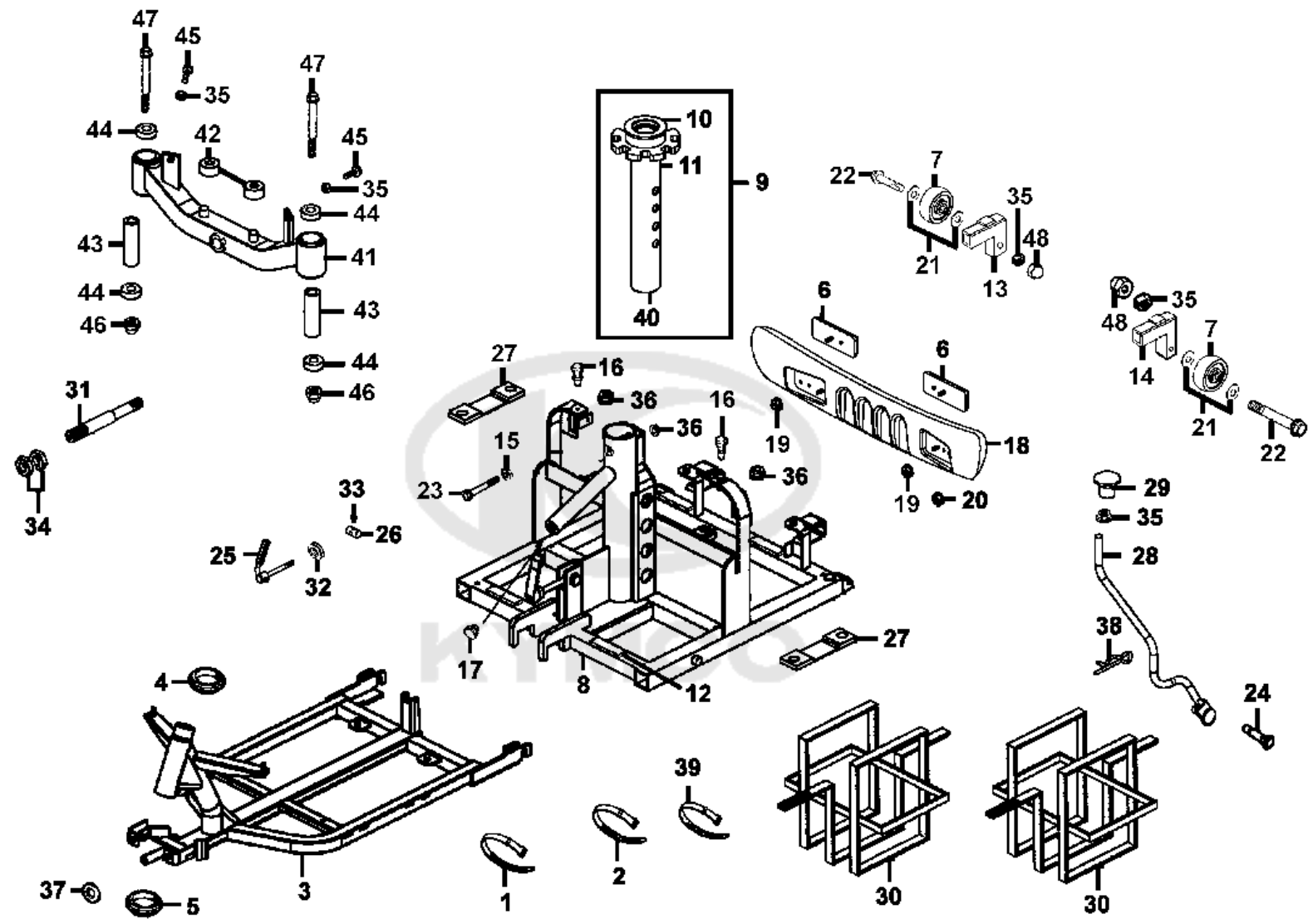
Frame Body



Sales mark	Ref no	Part no	Description	Reg description	Regd no	Ref Price	F10
	5	50305-LDB4-004	RACE UNDER STRG BALL	RACE UNDER STRG BALL	1	3.25	
	28	50308-LAC5-900	BAR BRAKE LEAVE	BAR BRAKE LEAVE	1	3.25	
	29	50309-LAC5-900	BRAKE LEAVE KNOB	BRAKE LEAVE KNOB	1	3.25	
	16	50310-LAC5-900	BOLT LOCK PIN	BOLT LOCK PIN	2	3.25	
	30	50325-LAC5-900	BAG BATTERY	BAG BATTERY	1	9.75	
	17	53103-LAC5-900	END STOP	END STOP	1	3.25	
	41	53401-LAC5-700	Obsolete	Obsolete	1		
	42	53403-LBB7-E00	RUBBER SWING ARM	RUBBER SWING ARM	2	3.25	
	31	53407-LBB7-E00	USE 53407-LBB7-C00	USE 53407-LBB7-C00	1		
**	18	83751-LAC5-900	BUMPER RR	BUMPER RR	1	19.50	
	32	84703-LLB1-900	RUBBER TAIL LIGHT **(0) C.2005.05.17	RUBBER TAIL LIGHT **(0) C.2005.05.17	1	0.36	
	46	90304-GHE8-004	NUT U 10MM **GE8-0040 C.2005.03.01	NUT U 10MM **GE8-0040 C.2005.03.01	2	0.68	
	45	92101-06020-0G	BOLT HEX 6X20	BOLT HEX 6X20	2	0.23	
	33	93500-04012-0HG	SCREW PAN 4*12	SCREW PAN 4*12	1	3.25	
	35	94001-06080-0SG	NUT HEX 6MM	NUT HEX 6MM	1	3.25	
	34	94001-LBB7-E00	NUT HEX SPECIAL 12MM	NUT HEX SPECIAL 12MM	2	3.25	
	48	94021-06080-0S	NUT HEX CAP 6MM	NUT HEX CAP 6MM	2	0.25	
	19	94050-05080-G	NUT FLANGE 5MM(Cr3+) ALT 94050-	NUT FLANGE 5MM(Cr3+) ALT 94050-05080	2		
	36	94050-06080-G	NUT FLANGE 6MM	NUT FLANGE 6MM	2	0.49	
	20	94050-08060	NUT FLANGE 8MM	NUT FLANGE 8MM	1	0.49	

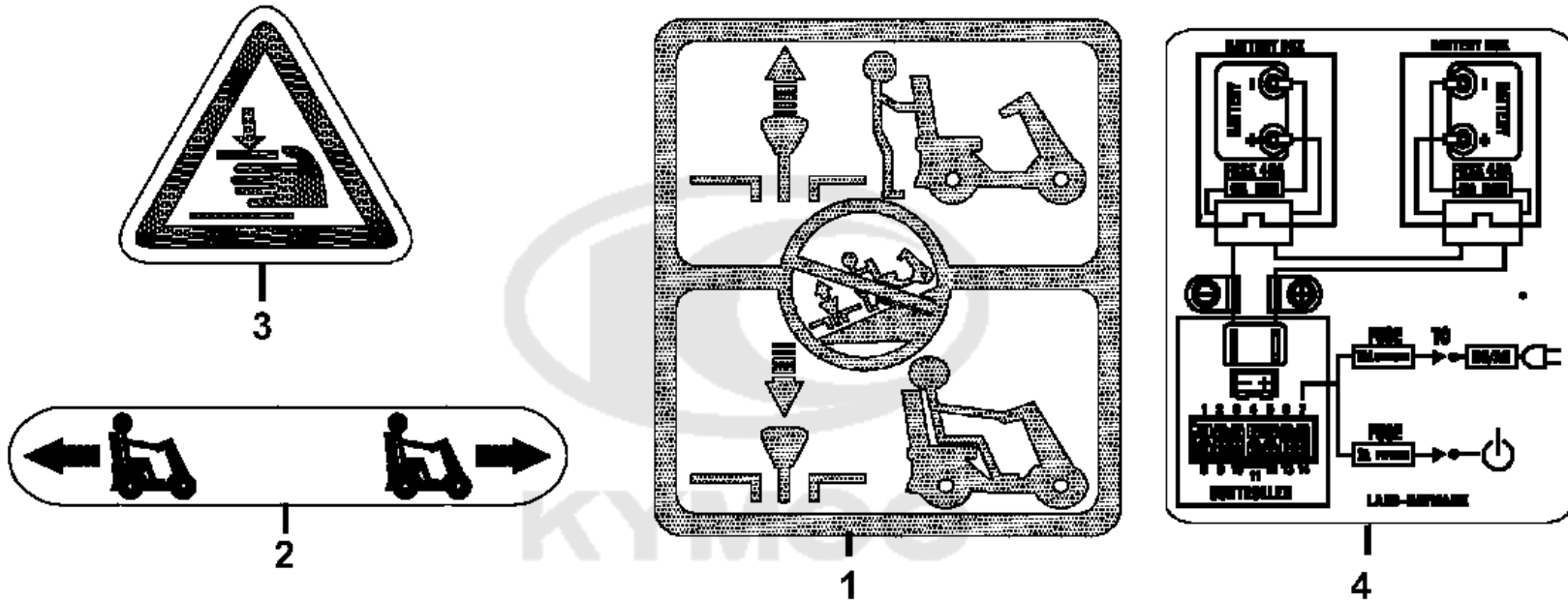
F10

Frame Body



Sales mark	Ref no	Part no	Description	Reg description	Regd no	Ref Price	F10
21		94101-06800-G	WASHER PLAN 6MM	WASHER PLAN 6MM	4	0.12	
37		94102-12800	WASHER PLAIN 12MM	WASHER PLAIN 12MM	1	0.47	
38		94251-08400	PIN LOCK 8MM	PIN LOCK 8MM	1	0.68	
39		94591-27000	CLIP 2*70	CLIP 2*70	1	0.41	
22		95701-06055-08G	BOLT FLANGE 68*55	BOLT FLANGE 68*55	2	0.49	
23		95701-08065-06	BOLT FLANGE 8*65	BOLT FLANGE 8*65	1	3.25	
47		95801-10080-06	BOLT FLANGE 10X80	BOLT FLANGE 10X80	2	3.25	
44		96130-60000-00	BEARING 6000Z	BEARING 6000Z	4	3.25	

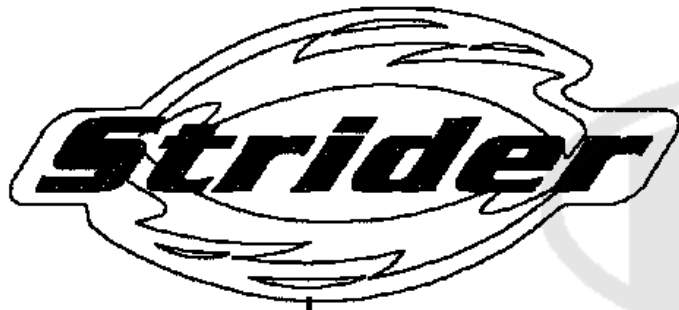




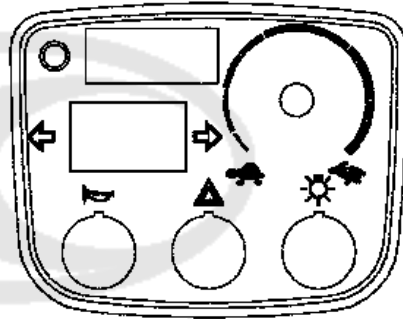
Sales mark	Ref no	Part no	Description	Reg description	Regd no	Ref Price	F11
------------	--------	---------	-------------	-----------------	---------	-----------	-----

**	1	87501-LAC5-900	USE CAUTION SILVER	USE CAUTION SILVER	1	3.25	
**	4	87508-LAC5-910	LABEL BATTERY	LABEL BATTERY	1	3.25	
**	3	87541-LAE9-E00	CAUTION LOCK **E00	CAUTION LOCK **E00	1	3.25	
**	2	87560-LAC5-900	MARK DRIVE CAUTION	MARK DRIVE CAUTION	1	3.25	





1



3



2

KYMCŌ

Sales mark	Ref no	Part no	Description	Reg description	Regd no	Ref Price	F12
------------	--------	---------	-------------	-----------------	---------	-----------	-----

**	1	86020-LAC5-E20	EMB DMA STRIDER	EMB DMA STRIDER	1		
**	3	86444-LAC5-900	EMB METER	EMB METER	1	6.50	



PART NO. INDEX

PART NO.	VERSION	PAGE	PART NO.	VERSION	PAGE	PART NO.	VERSION	PAGE
11000			32101-LAC5-910	0	F09			
			32101-LDB4-E72	0	F09	34000		
			32101-LDB4-E73	1	F09			
1110A-LAC5-900	9	E01	32201-LAC5-900	7	F09	34010-LAC5-305	2	F09
11302-LAC5-900	0	E01	32620-LAC5-900	5	F09	34010-LAC5-306	0	F09
13000			33000			34010-LAC5-900	7	F09
						34903-LAC5-900	1	F08
						34905-LAC5-900	1	F08
13331-LAC5-900	0	E01	33400-LAC5-900	6	F08			
31000			33401-LAC5-900	1	F08	35000		
			33404-LAC5-900	2	F08			
			33450-LAC5-900	6	F08	35010-LAC5-E00	2	F09
31280-LAC5-E20	2	F09	33451-LAC5-900	1	F08	35110-LAC5-900	5	F01
31300-LAC5-M30	0	E01	33454-LAC5-900	2	F08	35115-LAC5-900	1	F09
31340-LAC5-900	0	E01	33600-LAC5-900	7	F08	35150-LAC5-900	4	F01
31345-LAC5-305	0	E01	33601-LAC5-900	3	F08	35180-LAC5-900	4	F01
31347-LAC5-305	0	E01	33604-LAC5-900	2	F08	35190-LAC5-900	7	F01
31350-LAC5-900	0	E01	33650-LAC5-900	7	F08	35200-LAC5-900	3	F01
31510-LAC5-900	4	F10	33651-LAC5-900	3	F08			
31520-LAC5-900	3	F10	33654-LAC5-900	2	F08	36000		
31800-LAC5-E21	4	F09	33710-LAC5-900	3	F09			
32000			33741-GFY6-C30	1	F07	36000-LAC5-E20	1	F09
			33741-KEBE-900	3	F10	36100-AAH6-E20	4	F09
32100-LAC5-910	0	F09				36108-LBE1-900	2	F09
32100-LAC5-920	1	F09				36109-LBE1-900	2	F09
						36110-LAC5-900	3	F09

PART NO. INDEX

PART NO.	VERSION	PAGE	PART NO.	VERSION	PAGE	PART NO.	VERSION	PAGE
36120-LAC5-900	2	F09	44710-LAC5-900	4	F05	50000		
37000			45000					
37806-LAC5-900	4	F09	45000-LAC5-700	6	F04	50110-LAC5-700	8	F10
42000			45100-LAC5-700	5	F04	50120-LAC5-800	1	F10
42315-LAC5-900	3	F05	45101-LAC5-700	2	F04	50135-LAC5-900	9	F10
42600-LAC5-E00	8	F05	4512A-LAC5-900	2	F04	50136-LAC5-900	4	F10
42705-LAC5-900	5	F05	45133-LAC5-900	1	F04	50137-LAC5-900	1	F10
4270A-LAC5-900	6	F05	45141-LAC5-900	2	F04	50138-LAC5-900	0	F10
42800-LAC5-900	6	F10	45410-LAC5-900	2	F04	50150-LAC5-900	4	F01
44000			45450-LAC5-700	1	F01	50160-LAC5-900	7	F01
44315-LAC5-900	3	F04	46000			50222-LAC5-900	3	F10
44600-LAC5-E00	9	F04	46000-LAC5-700	6	F04	50227-LAC5-700	6	F07
44620-LAC5-900	5	F04	46100-LAC5-700	6	F04	50231-LAC5-700	4	F10
44650-LAC5-900	7	F04	46101-LAC5-700	2	F04	50232-LAC5-700	4	F10
44701-LAC5-900	5	F04	46410-LAC5-900	2	F04	50234-LAC5-900	2	F10
44701-LAC5-900	5	F05	47000			50301-LDB4-001	1	F10
44702-LAC5-900	4	F04	47403-LBB7-E00	5	F10	50302-LDB4-900	2	F10
44702-LAC5-900	4	F05				50303-LAC5-900	4	F10
44705-LAC5-900	7	F04				50304-LDB4-900	2	F10
44710-LAC5-900	4	F04				50305-LAE9-E00	3	F10
						50305-LDB4-004	1	F10
						50306-1F96-001	0	F03
						50308-LAC5-900	6	F10
						50309-LAC5-900	3	F10
						50310-LAC5-900	4	F10

PART NO. INDEX

PART NO.	VERSION	PAGE	PART NO.	VERSION	PAGE	PART NO.	VERSION	PAGE
50325-LAC5-900	1	F10	53700-LAC5-700	4	F03	80101-LDB4-900	5	F09
50350-LDB4-900	2	E01	53701-LAC5-700	4	F03			
			53702-LAC5-900	6	F03	83000		
53000			53703-LAC5-900	6	F03			
			53800-LAC5-700	4	F03	83500-LAC5-900	5	F07
53100-LAC5-900	11	F01	53801-LAC5-700	4	F03	83551-KKAK-900	0	F07
53103-LAC5-900	2	F10				83600-LAC5-900	7	F07
53104-LAC5-900	9	F01	64000			83751-LAC5-900	1	F10
53125-LAC5-900	6	F01						
53166-LAC5-911	1	F01	64302-LAC5-900	5	F02	84000		
5317B-LAC5-900	2	F01	64310-LAC5-900	5	F02			
5317B-LBE1-E70	2	F01	64311-LAC5-900	3	F02	84703-LLB1-900	1	F10
53190-LAC5-90A	9	F01	64316-LAC5-900	2	F02			
53191-LAC5-900	2	F01	64320-LAC5-900	2	F02	86000		
53196-LAC5-900	4	F01	64330-LAC5-900	4	F02			
53200-LAC5-700	5	F03				86020-LAC5-E20	1	F12
53205-LAC5-900	5	F01	77000			86102-LAC5-E21	1	F12
53206-LAC5-900	4	F01				86444-LAC5-900	9	F12
53207-LAC5-900	8	F01	77100-LAC5-900	3	F06			
53209-LAC5-900	8	F01	77200-LAC5-900	6	F06	87000		
53211-GFY6-940	1	F03	77223-LAC5-305	2	F06			
53212-LDB4-004	1	F03	77300-LAC5-900	3	F06	87501-LAC5-900	7	F11
53401-LAC5-700	3	F10				87508-LAC5-910	2	F11
53403-LBB7-E00	1	F10	80000			87541-LAE9-E00	1	F11
53406-LAC5-900	2	F01				87560-LAC5-900	4	F11
53407-LBB7-E00	3	F10	80101-LAC5-900	5	F09			

PART NO. INDEX

PART NO.	VERSION	PAGE	PART NO.	VERSION	PAGE	PART NO.	VERSION	PAGE
88000			92000			94001-08080-0S	0	F03
88120-LAC5-910	4	F01	92101-06020-0G	0	F10	94001-LAC5-900	2	F03
88130-LAC5-900	2	F01				94001-LBB7-E00	2	F10
90000			93000			94021-06080-0S	0	F10
90023-LAC5-001	1	F02	93500-04010-0F	0	F01	94021-08020-0S	0	F04
90105-LAC5-900	4	F04	93500-04012-0HG	0	F10	94021-08020-0S	0	F05
90105-LAC5-900	4	F05	93500-04030-0HG	0	F09	94050-05080-G	1	F01
90301-4C73-004	0	F01	93891-04012-06	0	E01	94050-05080-G	1	F04
90301-KKAK-900	1	F04	93901-32120	1	F09	94050-05080-G	1	F10
90301-LAC5-001	1	F02	93901-32310	0	F08	94050-06080-G	1	F07
90301-LAC5-671	1	F02	93903-14380-G	0	F02	94050-06080-G	1	F09
90302-GFY6-911	1	F01	93903-25460	0	F09	94050-06080-G	1	F10
90302-KEC8-910	1	F01	93903-34380-G	0	F01	94050-08060	0	F10
90302-LAC5-004	1	F01	93903-34380-G	0	F02	94050-08080-G	1	E01
90302-LAC5-004	1	F02	93903-34380-G	0	F07	94050-08080-G	1	F01
90304-GHE8-004	0	F04	93903-34380-G	0	F08	94101-06800-G	1	F10
90304-GHE8-004	0	F10	93903-34760	0	F09	94102-12800	0	F10
90306-GLW0-90A	1	F05	93903-GFY6-910	1	F01	94111-08800	0	F03
90309-GLW0-90A	1	F01	94000			94111-08800	0	F04
90309-GLW0-90A	1	F03				94111-08800	0	F05
			94001-06080-0SG	0	F04	94251-08400	0	F10
			94001-06080-0SG	0	F10	94510-19000	0	E01
						94591-27000	0	F10

PART NO. INDEX

PART NO.	VERSION	PAGE	PART NO.	VERSION	PAGE	PART NO.	VERSION	PAGE
95000								
95701-06012-06	1	F07						
95701-06055-08G	0	F10						
95701-08065-06	0	F10						
95801-08035-06	1	F01						
95801-08045-08G	0	F01						
95801-10080-06	0	F10						
96000								
96120-62020-00	0	F04						
96130-60000-00	0	F10						
96211-05000	26	F03						
96600-06060-08G	1	E01						
98000								
98200-30200	0	F09						
98200-31000	1	F09						
98200-34000	0	F09						