

PARTS CATALOGUE



MOBILITY SCOOTER

EV10DB(UK)

Strider



Release Date : 2014/05/04
Print Date : 2019/11/04

ABOUT THIS PARTS LIST

- This parts list is compiled all service parts for model EV10DB(UK).
- Any difference between color chart and motorcycle will be revised according to motorcycle.
- The Mark:
 1. Marking "***" must add color code in the end before ordering parts.
 2. Marking "#" are parts with modification, Please find the details from e-Parts system.
- When modification or additions to this parts list are made a revised edition at an appropriate time.

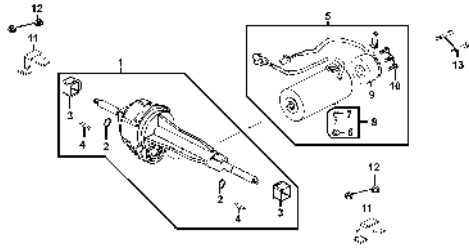


CONTENTS

● ABOUT THIS PARTS LIST	1
● COLOR CHART OF EV10DB(UK)	3
● CONTENTS-ENGINE GROUP	4
● CONTENTS-FRAME GROUP	5
● ENGINE PARTS LIST	7
● FRAME PARTS LIST	9
● PART NO. INDEX	41

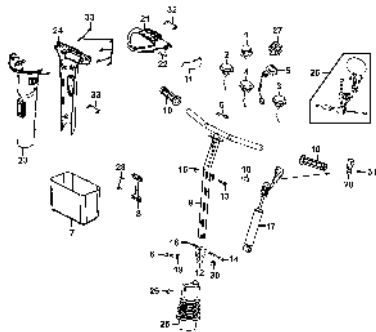
CONTENTS - ENGINE GROUP

E01 MOTOR ASSY

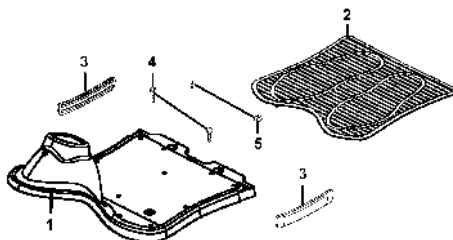


CONTENTS - FRAME GROUP

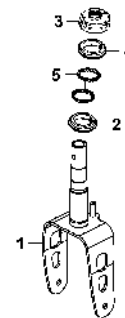
F01 Handle Steering



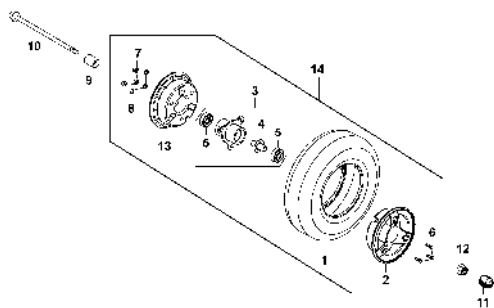
F02 Floor Panel



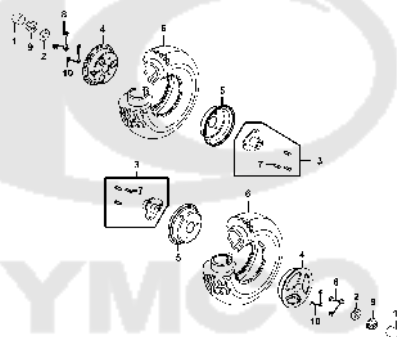
F03 Stem Steering



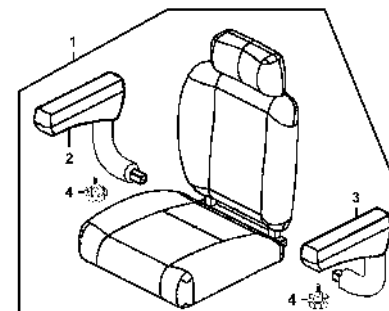
F04 Front Wheel



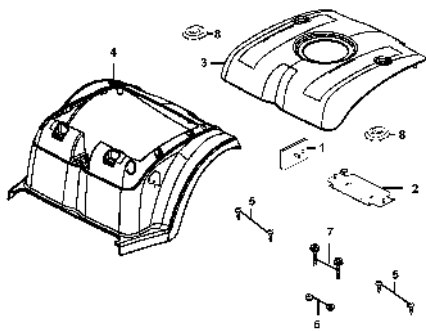
F05 Rear Wheel



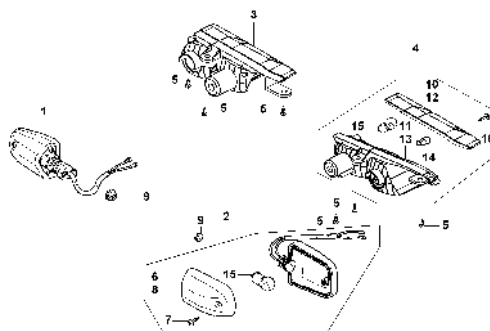
F06 Seat



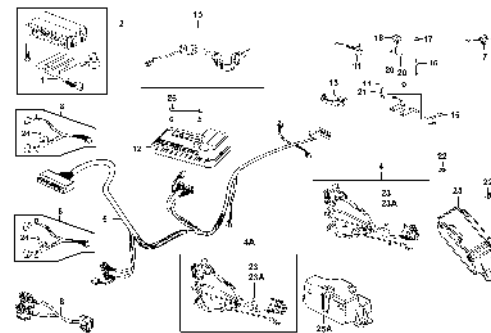
F07 Body Cover



F08 Winker

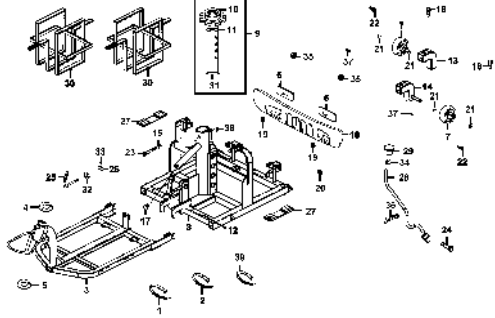


F09 Harness Wire

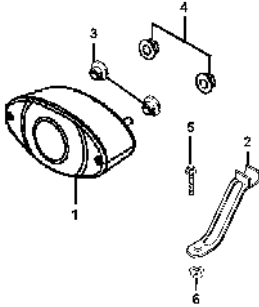


CONTENTS - FRAME GROUP

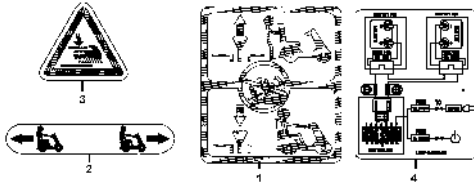
F10 Frame Body



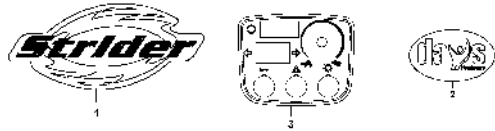
F11 Lead Light



F12 Caution Label

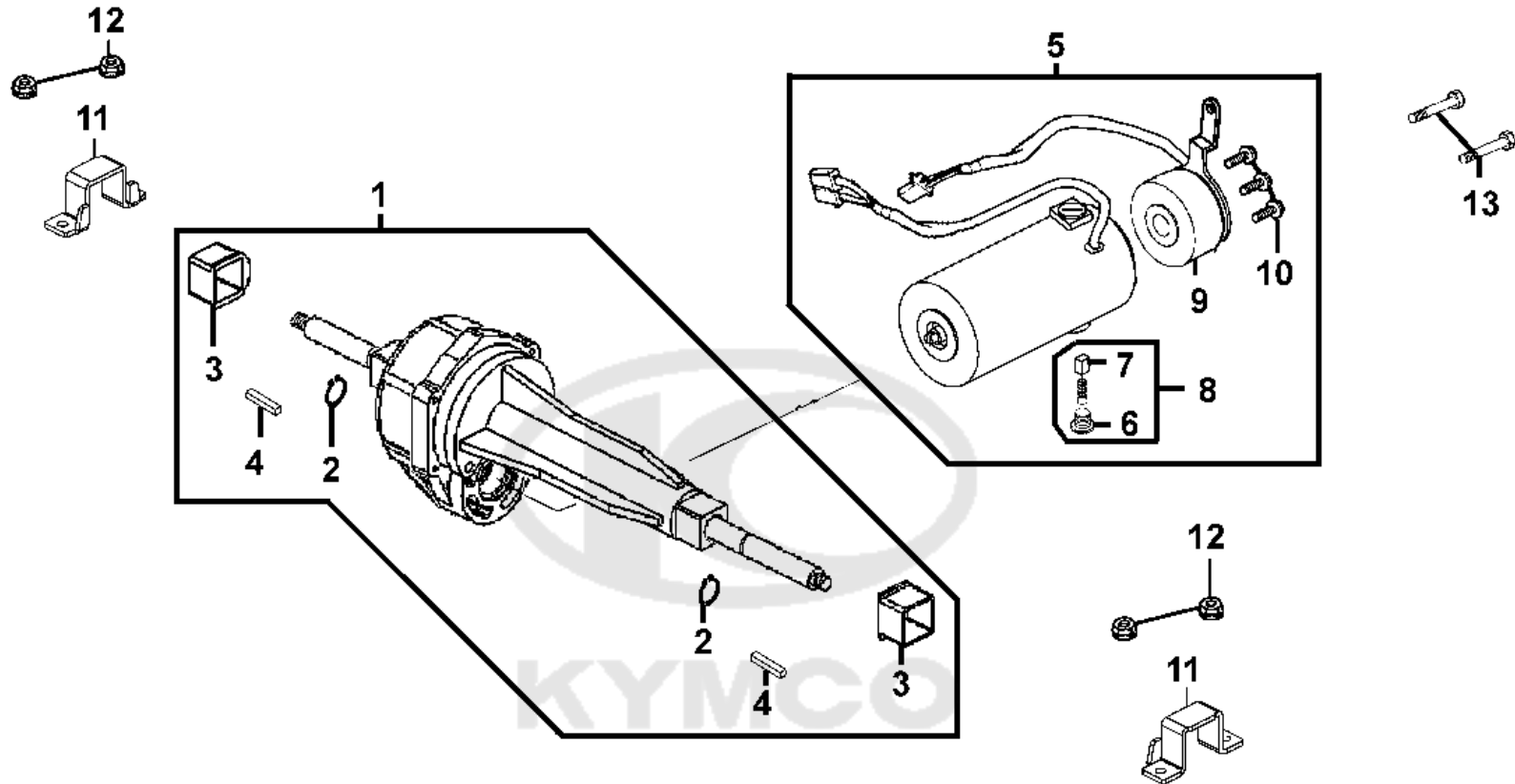


F13 Mark



E01

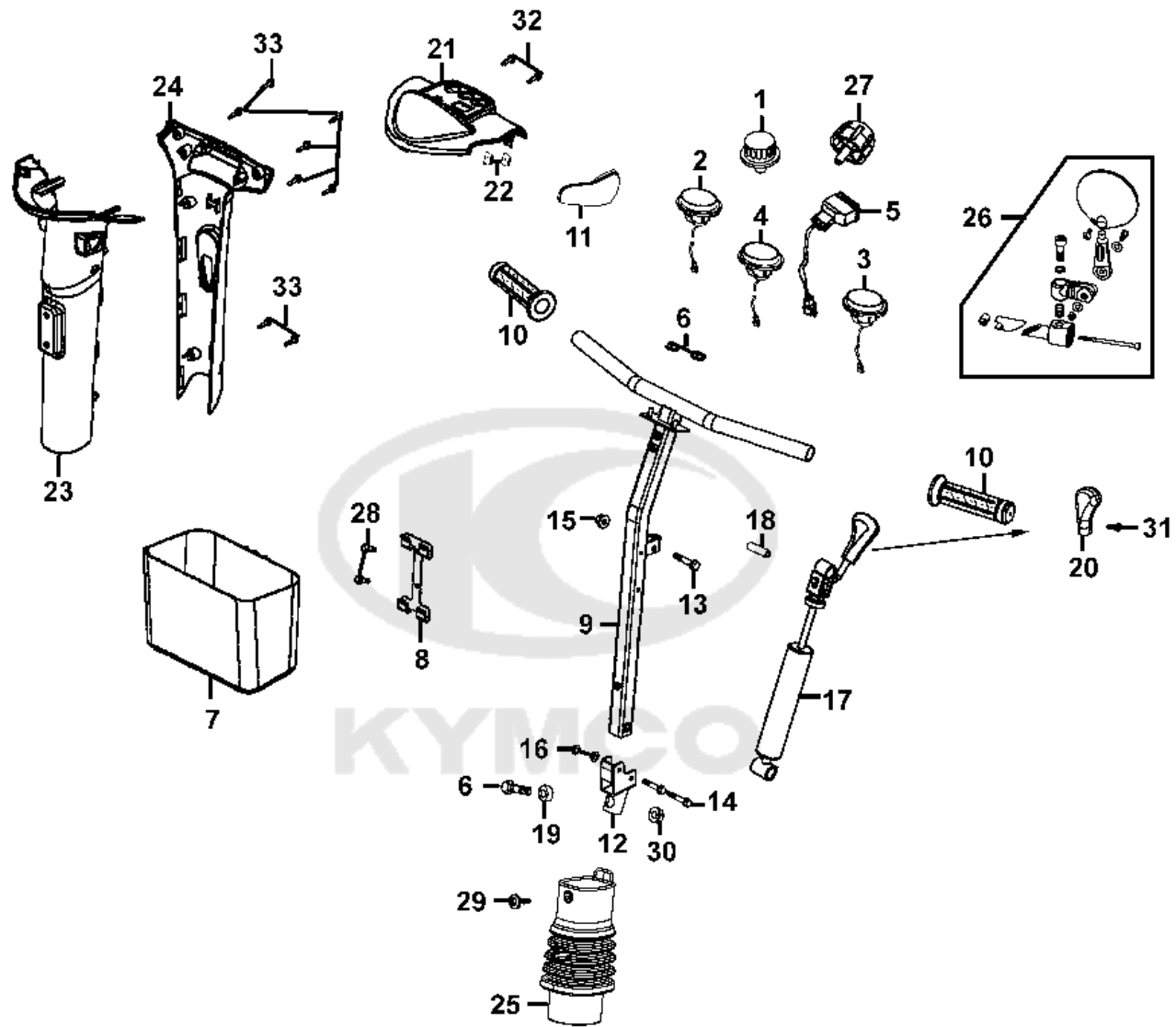
MOTOR ASSY



Sales mark	Ref no	Part no	Description	Reg description	Regd no	Ref Price	E01
	1	1110A-LAC5-900	Obsolete	Obsolete	1		
	3	11302-LAC5-900	RUBBER	RUBBER	2	6.50	
	4	13331-LAC5-900	KEY 4.8*4.8*30	KEY 4.8*4.8*30	2	3.25	
	5	31300-LAC5-M30	Obsolete	Obsolete	1		
	8	31340-LAC5-900	BRUSH ASSY	BRUSH ASSY	2	7.00	
	7	31345-LAC5-305	MOTOR BRUSH- MIDI XL/ SUPER 4/6/8/	MOTOR BRUSH- MIDI XL/ SUPER 4/6/8/	2	3.25	
	6	31347-LAC5-305	CAP BRUSH	CAP BRUSH	2	3.25	
	9	31350-LAC5-900	BRAKE ASSY	BRAKE ASSY	1	52.00	
	11	50350-LDB4-900	CONNECTOR MISSION	CONNECTOR MISSION	1	5.20	
	10	93891-04012-06	SCREW WASHER 4*12	SCREW WASHER 4*12	1	0.13	
	12	94050-08080-G	NUT FLANGE 8MM (C)	NUT FLANGE 8MM (C)	4	0.49	
	2	94510-19000	CIRCLIP EX 1.9	CIRCLIP EX 1.9	2	2.12	
	13	96600-06060-08G	SCOKET BOLT 8*18	SCOKET BOLT 8*18	2	3.25	

F01

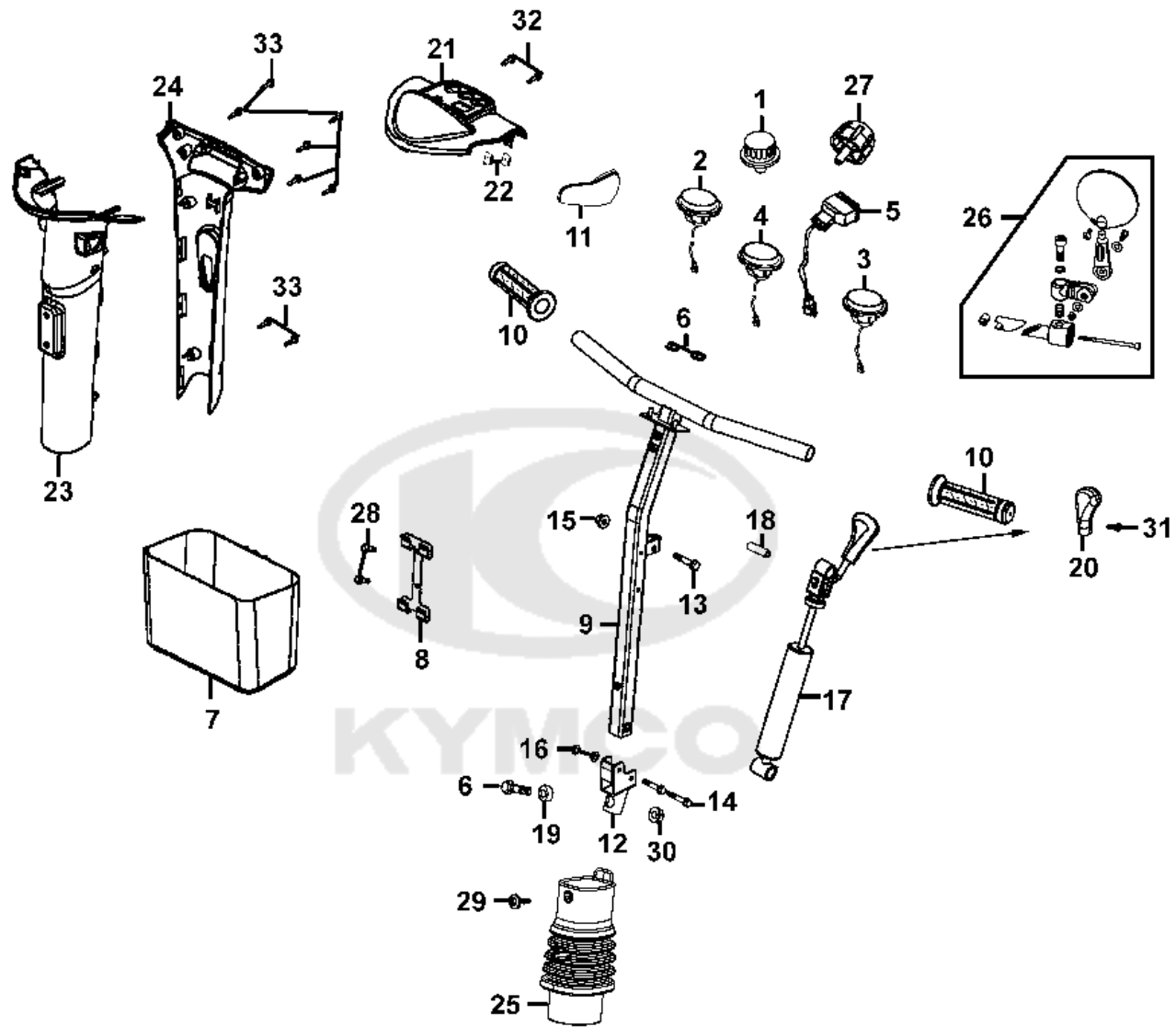
Handle Steering



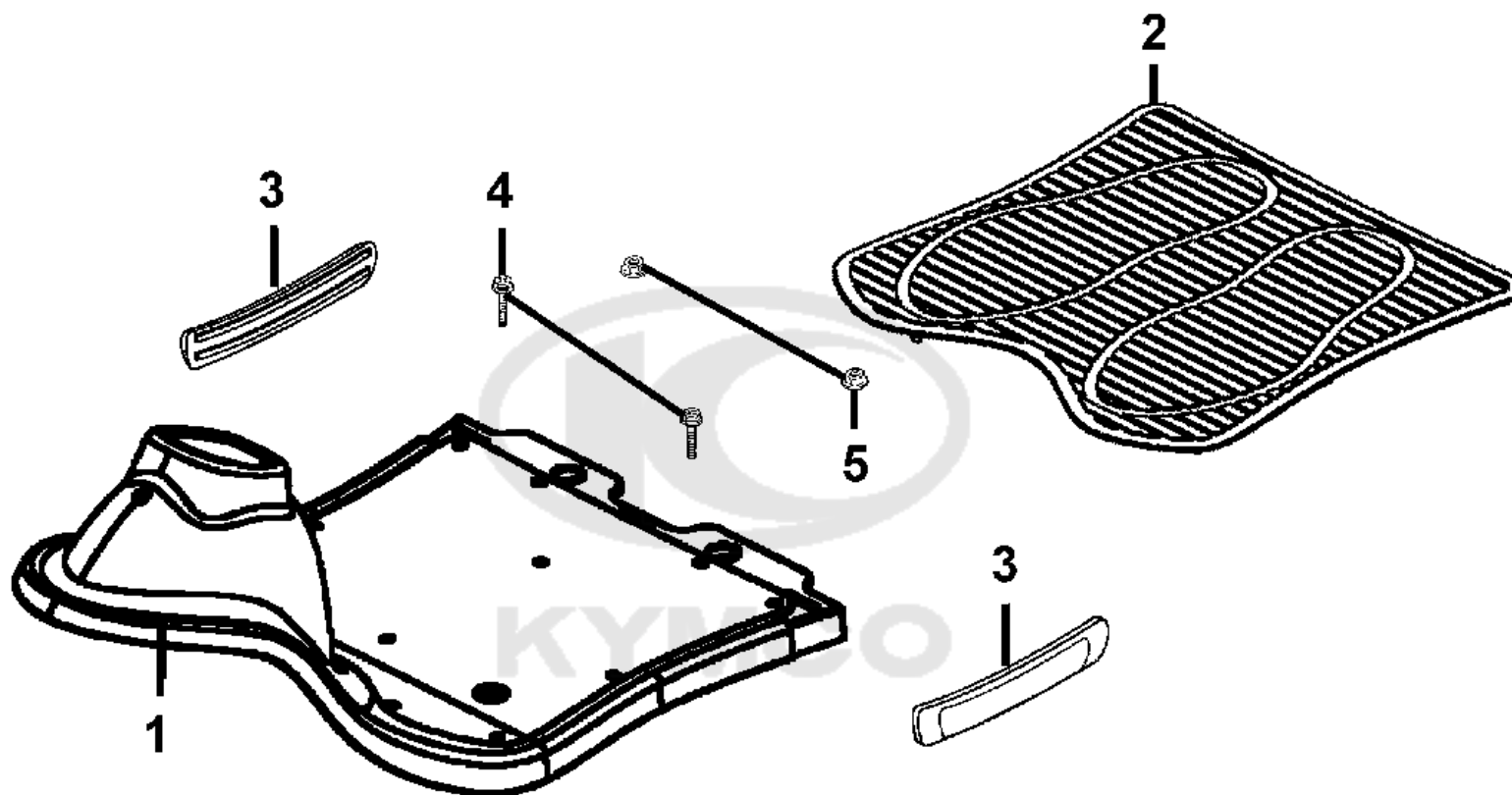
Sales mark	Ref no	Part no	Description	Reg description	Regd no	Ref Price	F01
	1	35110-LAC5-900	SPEED KNOB ALT 35110-LHD7-900	SPEED KNOB ALT 35110-LHD7-900	1	5.20	
	2	35150-LAC5-900	SW UNIT LIGHTING ALT 3150-LAC5-	SW UNIT LIGHTING ALT 3150-LAC5-900-R	1	6.50	
	3	35180-LAC5-900	SW UNIT HORN **(2) C.2007.02.05	SW UNIT HORN **(2) C.2007.02.05	1	6.50	
	4	35190-LAC5-900	SW UNIT HAZARD	SW UNIT HAZARD	1	6.50	
	5	35200-LAC5-900	SW UNIT WINKER ALT 35200-LAC5-900	SW UNIT WINKER ALT 35200-LAC5-900-R	1	6.50	
	7	50150-LAC5-900	BASKET ALT 50150-LAC5-910	BASKET ALT 50150-LAC5-910	1	18.20	
	8	50160-LAC5-900	STAY BASKET SET	STAY BASKET SET	1	5.20	
	9	53100-LBB6-900	HANDLE COMP STRG	HANDLE COMP STRG	1	22.10	
	12	53104-LBB6-900	Obsolete	Obsolete	1		
	19	53125-LAC5-900	COLLAR HANDLE SET	COLLAR HANDLE SET	1	3.25	
**	10	53166-LAC5-911	HAND GRIP	HAND GRIP	2	3.25	
	17	53190-LAC5-90A	ADJUSTER HANDLE/ Gas strut	ADJUSTER HANDLE/ Gas strut	1	29.25	
	18	53191-LAC5-900	COLLAR ADJUSTER	COLLAR ADJUSTER	1	1.33	
	20	53196-LAC5-900	BLACK GRIP	BLACK GRIP	1	3.21	
	11	53204-LBB6-900	COVER HANDLE L SIDE	COVER HANDLE L SIDE	1	5.85	
**	23	53205-LBB6-900	COVER HANDLE FR	COVER HANDLE FR	1		
**	24	53206-LAC5-900	COVER HANDLE RR **(3) C.2005.09.08	COVER HANDLE RR **(3) C.2005.09.08	1		
**	21	53207-LAC5-900	METER COVER **(5) C.2006.02.06	METER COVER **(5) C.2006.02.06	1		
	25	53209-LAC5-800	COVER DUST **(0) N.C.2004.06.07	COVER DUST **(0) N.C.2004.06.07	1	11.70	
	14	53406-LAC5-900	BOLT HANDLE SET	BOLT HANDLE SET	1	3.25	

F01

Handle Steering



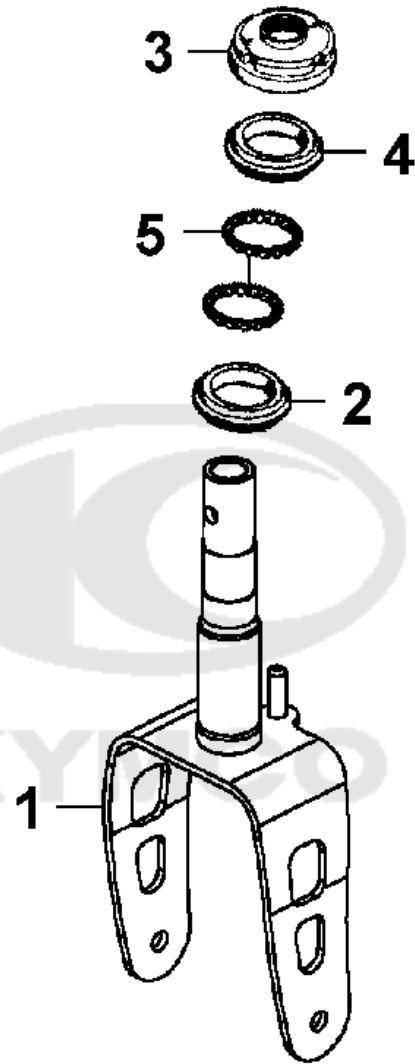
Sales mark	Ref no	Part no	Description	Reg description	Regd no	Ref Price	F01
	26	88120-LAC5-910	MIRROR ASSY BACK	MIRROR ASSY BACK	1	16.25	
	27	88130-LAC5-900	CAP HANDLE PIPE	CAP HANDLE PIPE	1	5.00	
	16	90301-4C73-004	NUT U 6MM **473-0040 C.2005.03.01	NUT U 6MM **473-0040 C.2005.03.01	2	0.25	
	28	90302-GFY6-911	BOLT-WASH 5*12	BOLT-WASH 5*12	2	3.25	
	29	90302-KEC8-910	BOLT PAN 5*9	BOLT PAN 5*9	2	3.25	
	22	90302-LAC5-004	NUT SPRING 4MM	NUT SPRING 4MM	5	3.25	
	30	90309-GLW0-90A	NUT U FLANGE 8MM **(0) C.2009.03.05	NUT U FLANGE 8MM **(0) C.2009.03.05	1	0.85	
	31	93500-04010-0F	SCREW PAN 4X10(G)	SCREW PAN 4X10(G)	1	0.64	
	33	93903-34380-G	SCREW TAPPING 4x12	SCREW TAPPING 4x12	1	3.25	
	32	93903-GFY6-910	BOLT-WASH 5*12	BOLT-WASH 5*12	2	3.25	
	15	94050-08080-G	NUT FLANGE 8MM (C)	NUT FLANGE 8MM (C)	3	0.49	
	13	95801-08035-06	BOLT FLANGE 8*35 **LLJ1-900	BOLT FLANGE 8*35 **LLJ1-900	1	0.36	
	6	95801-08045-08G	BOLT FLANGE 8*45	BOLT FLANGE 8*45	1	0.49	



Sales mark	Ref no	Part no	Description	Reg description	Regd no	Ref Price	F02
------------	--------	---------	-------------	-----------------	---------	-----------	-----

**	1	64310-LBB6-900	FLOOR PANEL	FLOOR PANEL	1		
**	3	64311-LBB6-900	Obsolete	Obsolete	2		
**	2	64320-LBB6-900	MAT FLOOR	MAT FLOOR	1		
	4	90023-LAC5-001	BOLT SEAT LOCK 6X13.5	BOLT SEAT LOCK 6X13.5	2	3.25	
	5	90301-LAC5-671	NUT FLANGE 6MM	NUT FLANGE 6MM	6	3.25	





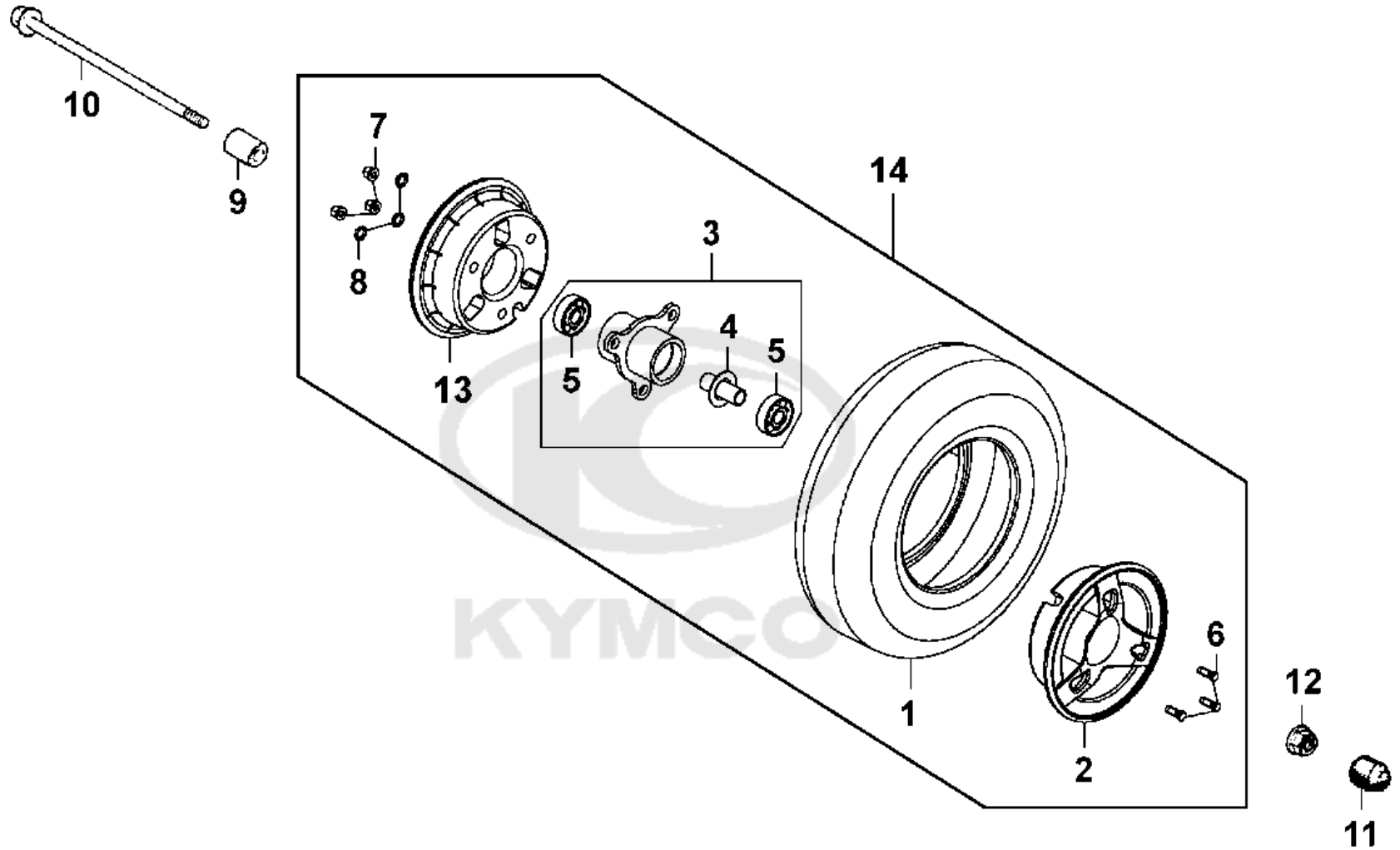
Sales mark	Ref no	Part no	Description	Reg description	Regd no	Ref Price	F03
------------	--------	---------	-------------	-----------------	---------	-----------	------------

3		50306-1F96-001	NUT STRG STEM LOCK	NUT STRG STEM LOCK	1	1.18	
1		53200-LBB6-700	Obsolete	Obsolete	1		
4		53211-GFY6-940	RACE STRG TOP CONE **GY6-9400	RACE STRG TOP CONE **GY6-9400	1	1.87	
2		53212-LDB4-004	ORDER 53212-GHC8-004	ORDER 53212-GHC8-004	1	3.25	
5		96211-05000	BALL BEARING PACK OF 100	BALL BEARING PACK OF 100	55	3.25	



F04

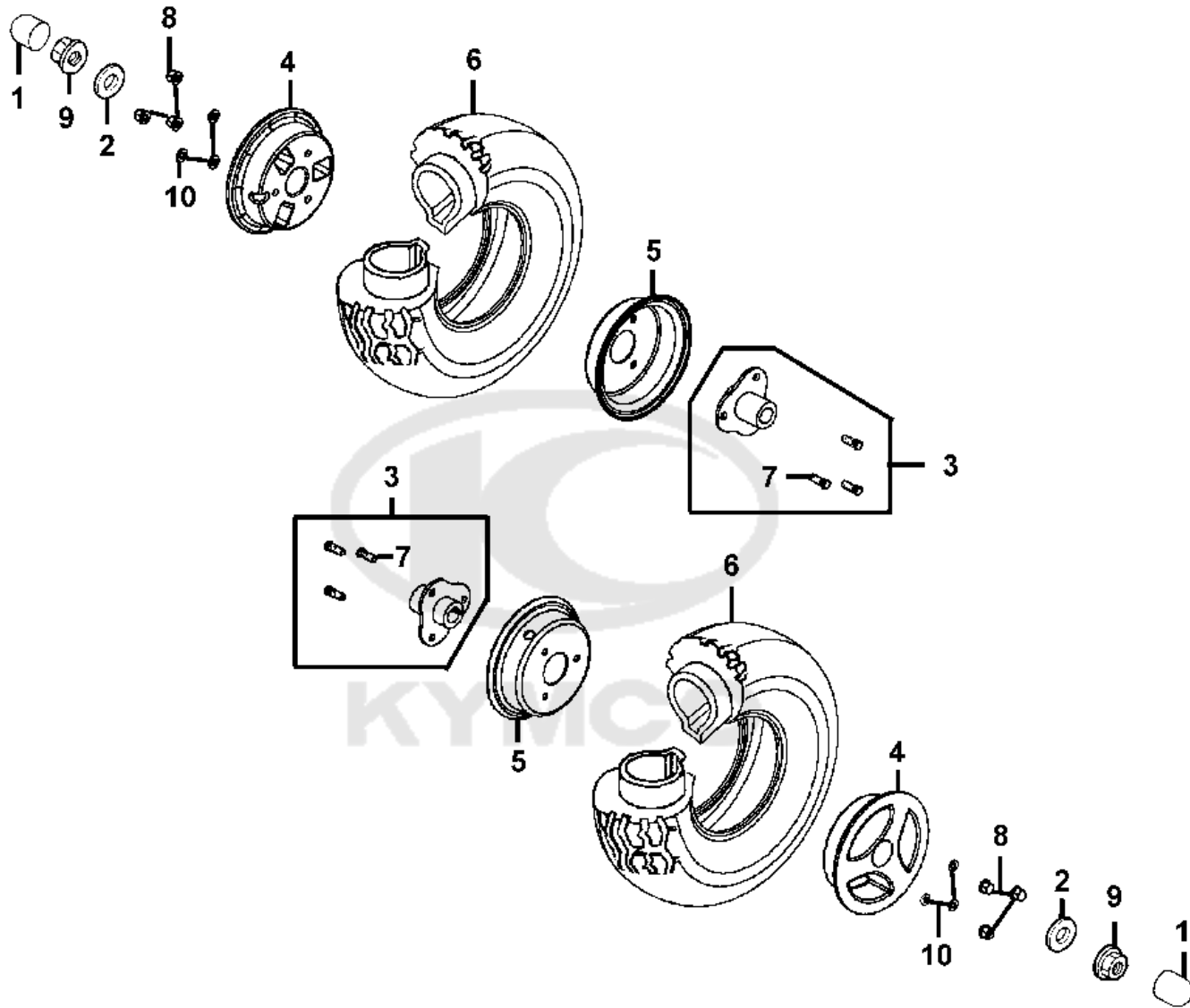
Front Wheel



Sales mark	Ref no	Part no	Description	Reg description	Regd no	Ref Price	F04
	10	44301-LBB6-900	AXLE FR WHEEL 10*135	AXLE FR WHEEL 10*135	1		
	9	44311-LBB6-900	COLLAR FR SIDE WHEEL	COLLAR FR SIDE WHEEL	1		
	11	44315-LAC5-900	CAP FR AXLE **(0) C.2003.10.22	CAP FR AXLE **(0) C.2003.10.22	1	3.25	
	14	44600-LBB6-900	WHEEL ASSY FR	WHEEL ASSY FR	1		
	4	44620-LBB6-900	DIST COLLAR **(0) C.2005.08.02	DIST COLLAR **(0) C.2005.08.02	1		
	3	44650-LBB6-900	CONNECTOR ASSY **(0) C.2005.08.02	CONNECTOR ASSY **(0) C.2005.08.02	1		
	2	44701-LAC5-900	RIM CAST FR	RIM CAST FR	1	13.00	
	13	44701-LBB6-900	RIM COMP FR **(2) C.V.	RIM COMP FR **(2) C.V.	2	13.00	
	1	44710-LAC5-900	ORDER 44710-LAC5-90B	ORDER 44710-LAC5-90B	1	22.00	
	12	90304-GHE8-004	NUT U 10MM **GE8-0040 C.2005.03.01	NUT U 10MM **GE8-0040 C.2005.03.01	1	0.68	
	7	94021-08020-0S	NUT HEX CAP 8MM	NUT HEX CAP 8MM	3	3.25	
	8	94111-08800	WASHER SPRING 8MM	WASHER SPRING 8MM	3	0.33	
	6	95801-08025-08	BOLT FLANGE 8*25	BOLT FLANGE 8*25	3		
	5	96130-62000-00	BEARING 6200ZZ	BEARING 6200ZZ	1		

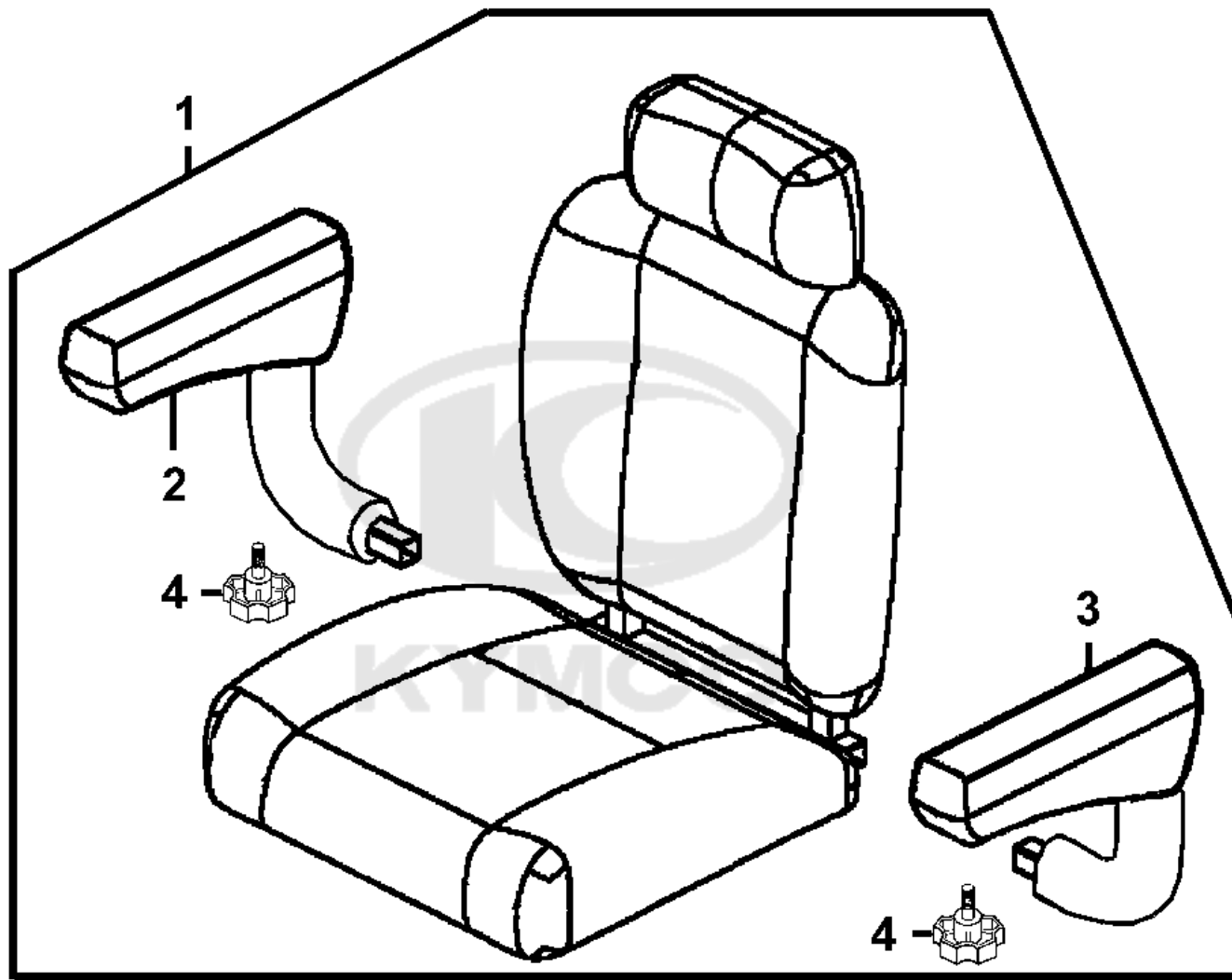
F05

Rear Wheel



Sales mark	Ref no	Part no	Description	Reg description	Regd no	Ref Price	F05
	1	42315-LAC5-900	CAP RR AXLE **(0) C.2003.10.22	CAP RR AXLE **(0) C.2003.10.22	2	3.25	
	2	42705-LAC5-900	WASHER 12MM RR WHEEL	WASHER 12MM RR WHEEL	2	3.25	
	3	4270A-LAC5-900	CONNECTOR ASSY RR	CONNECTOR ASSY RR	2	13.00	
	4	44701-LAC5-900	RIM CAST FR	RIM CAST FR	2	13.00	
	5	44702-LAC5-900	RIM COMP FR	RIM COMP FR	2	12.35	
	6	44710-LAC5-900	ORDER 44710-LAC5-90B	ORDER 44710-LAC5-90B	2	22.00	
	7	90105-LAC5-900	BOLT M8*20 **(0) C.2005.09.08	BOLT M8*20 **(0) C.2005.09.08	6	3.25	
	9	90306-GLW0-90A	NUT FLANGE 12MM **(0) C.2009.03.05	NUT FLANGE 12MM **(0) C.2009.03.05	1	0.85	
	8	94021-08020-0S	NUT HEX CAP 8MM	NUT HEX CAP 8MM	6	3.25	
	10	94111-08800	WASHER SPRING 8MM	WASHER SPRING 8MM	6	0.33	





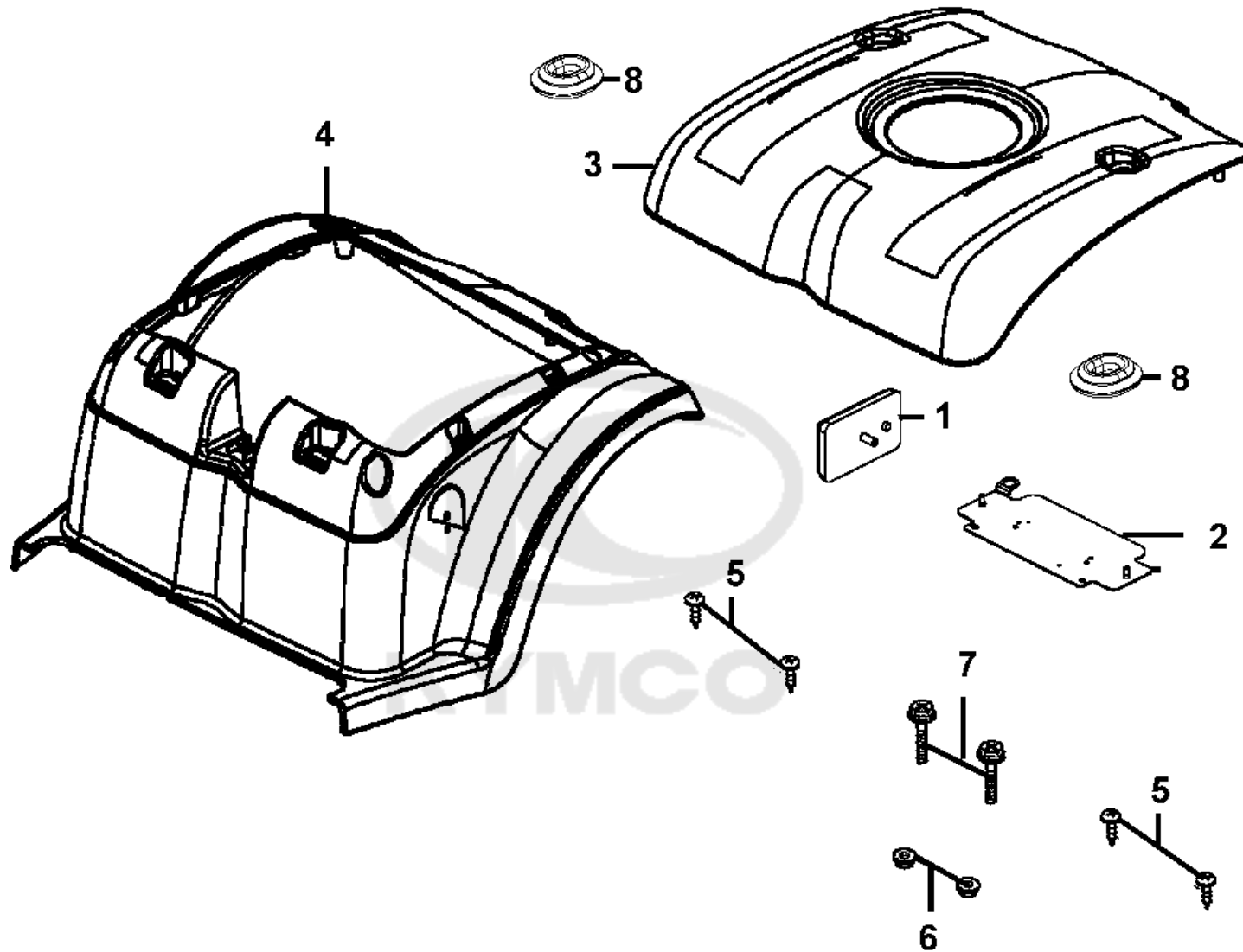
Sales mark	Ref no	Part no	Description	Reg description	Regd no	Ref Price	F06
------------	--------	---------	-------------	-----------------	---------	-----------	-----

	2	77100-LAC5-900	R/H USE 77100-LDB4-700	R/H USE 77100-LDB4-700	1	31.20	
**	1	77200-LAC5-900	SEAT ASSY	SEAT ASSY	1	164.81	
	4	77223-LAC5-305	BOLT LOCK ARM REST	BOLT LOCK ARM REST	2	3.25	
	3	77300-LAC5-900	L/H USE 77300-LDB4-700	L/H USE 77300-LDB4-700	1	31.20	



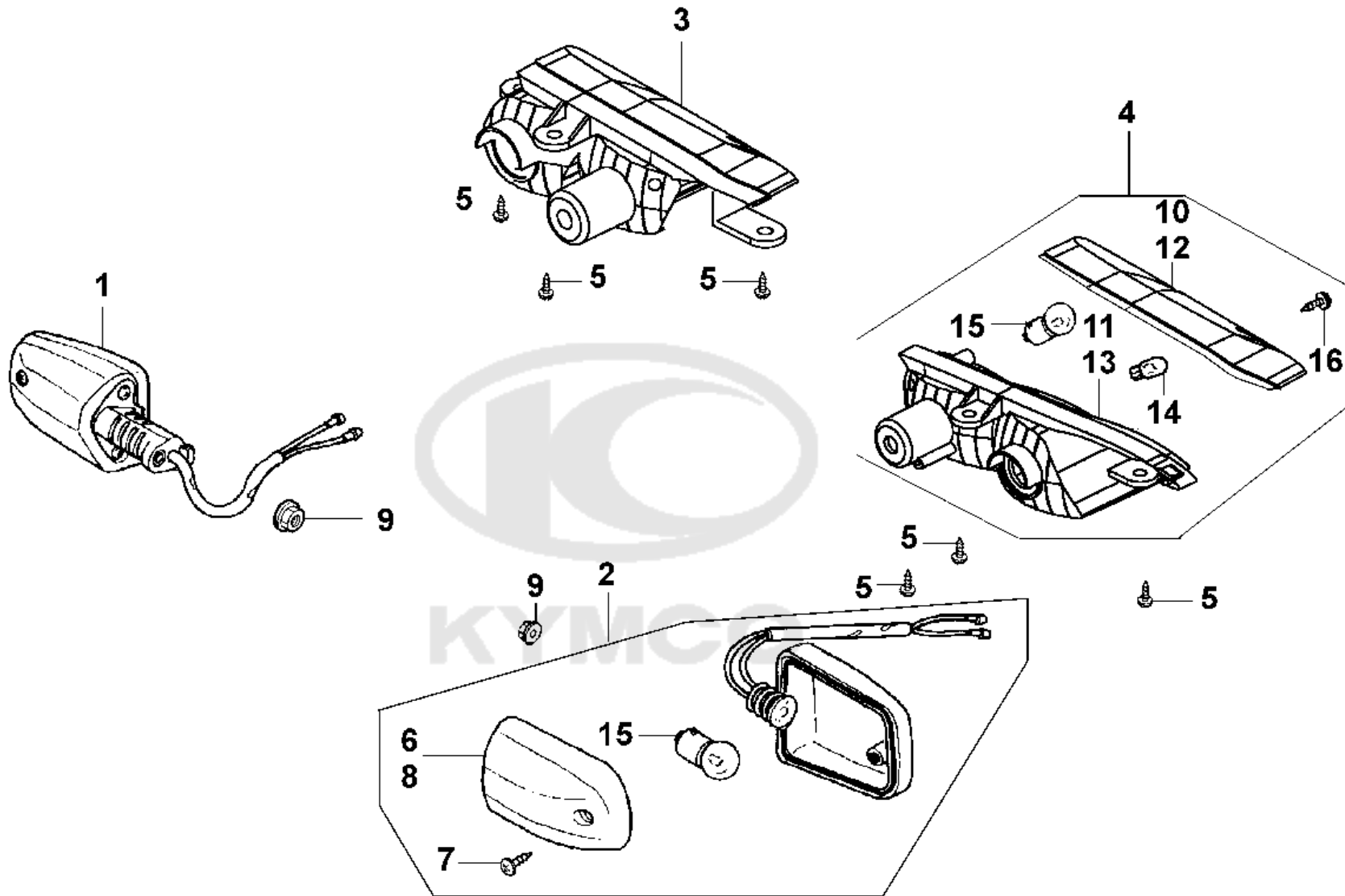
F07

Body Cover



Sales mark	Ref no	Part no	Description	Reg description	Regd no	Ref Price	F07
	1	33741-GFY6-C30	REFLEX REFLECTOR ORANGE	REFLEX REFLECTOR ORANGE	2	2.08	
	2	50227-LAC5-700	STAY.ECU	STAY.ECU	1	9.75	
**	3	83500-LAC5-900	Obsolete	Obsolete	1		
	8	83551-KKAK-900	GROMMET AIR/C CASE **KAK-9000	GROMMET AIR/C CASE **KAK-9000	2	0.64	
**	4	83600-LAC5-900	Obsolete	Obsolete	1		
	5	93903-34380-G	SCREW TAPPING 4x12	SCREW TAPPING 4x12	1	3.25	
	6	94050-06080-G	NUT FLANGE 6MM	NUT FLANGE 6MM	2	0.49	
	7	95701-06012-06	BOLT FLANGE 6*12 **07 C.2005.07.01	BOLT FLANGE 6*12 **07 C.2005.07.01	1	0.47	

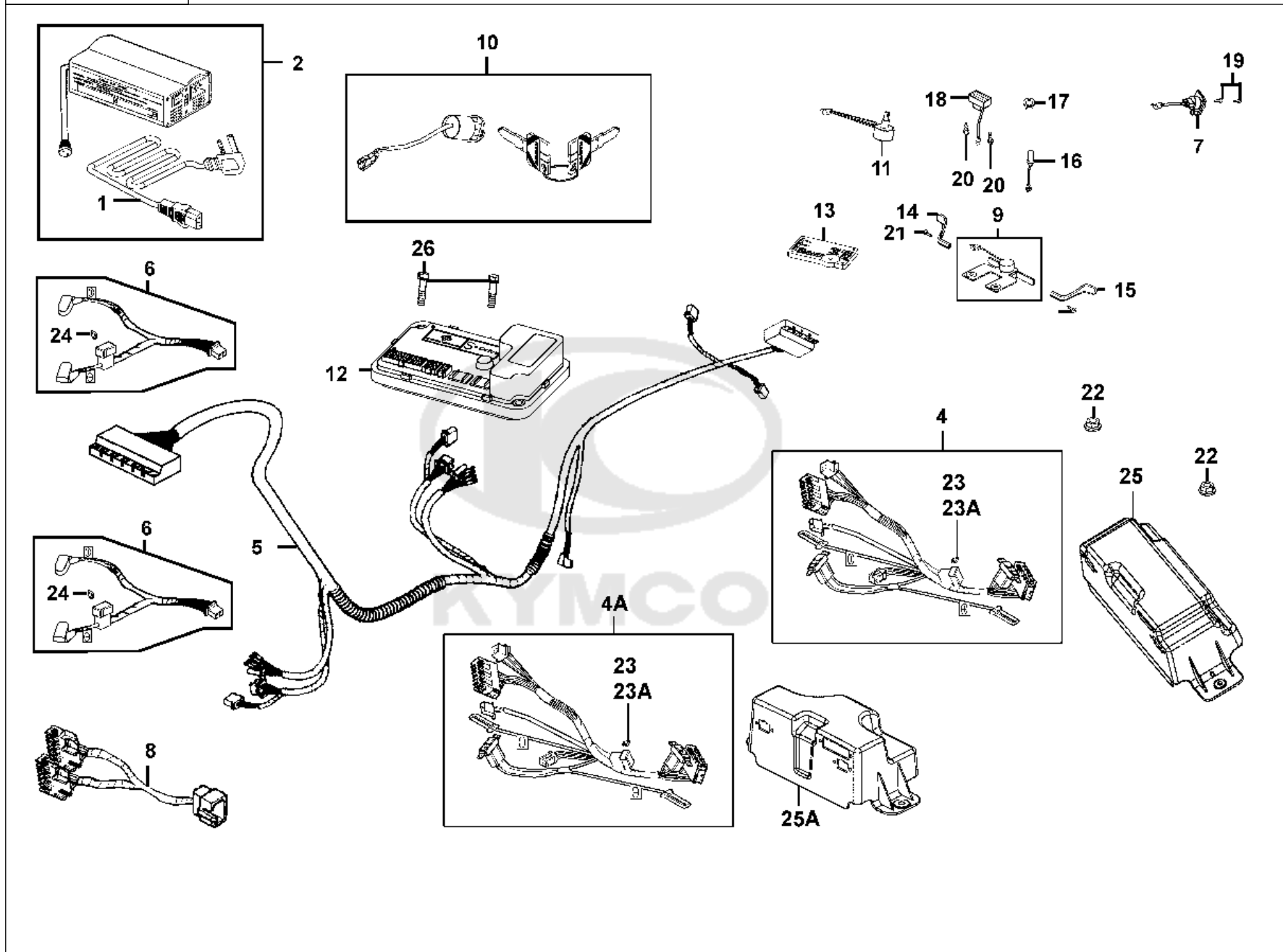




Sales mark	Ref no	Part no	Description	Reg description	Regd no	Ref Price	F08
	1	33400-LBB6-900	Obsolete	Obsolete	1		
	2	33401-LAC5-900	LENS COMP R FR WINKER	LENS COMP R FR WINKER	1	6.50	
	3	33404-LAC5-900	BASE COMP R FR WINKER	BASE COMP R FR WINKER	1	26.00	
	4	33450-LBB6-900	WINKER ASSY L FR **(0) C.2006.01.12	WINKER ASSY L FR **(0) C.2006.01.12	1		
	5	33451-LAC5-900	LENS L FR WINKER CLEAR/ORANGE	LENS L FR WINKER CLEAR/ORANGE	1	6.50	
	6	33454-LAC5-900	BASE COMP L FR WINKER	BASE COMP L FR WINKER	1	9.75	
	7	33600-LAC5-900	WINKER ASSY RH RR	WINKER ASSY RH RR	1	16.25	
	8	33601-LAC5-900	LENS COMP R RR WINKER	LENS COMP R RR WINKER	1	6.50	
	9	33604-LAC5-900	BASE COMP R RR WINKER	BASE COMP R RR WINKER	1	9.75	
	10	33650-LAC5-900	WINKER ASSY LH RR	WINKER ASSY LH RR	1	16.25	
	11	33651-LAC5-900	LENS COMP L RR WINKER	LENS COMP L RR WINKER	1	6.50	
	12	33654-LAC5-900	BASE COMP L RR WINKER	BASE COMP L RR WINKER	1	6.50	
	13	34903-LAC5-900	BULB POSITION	BULB POSITION	4	3.25	
	14	34905-LAC5-900	BULB WINKER 24V 10W	BULB WINKER 24V 10W	4	3.25	
	15	93901-32310	SCREW TAPPING 3*12	SCREW TAPPING 3*12	4	3.25	
	16	93903-34380-G	SCREW TAPPING 4x12	SCREW TAPPING 4x12	1	3.25	

F09

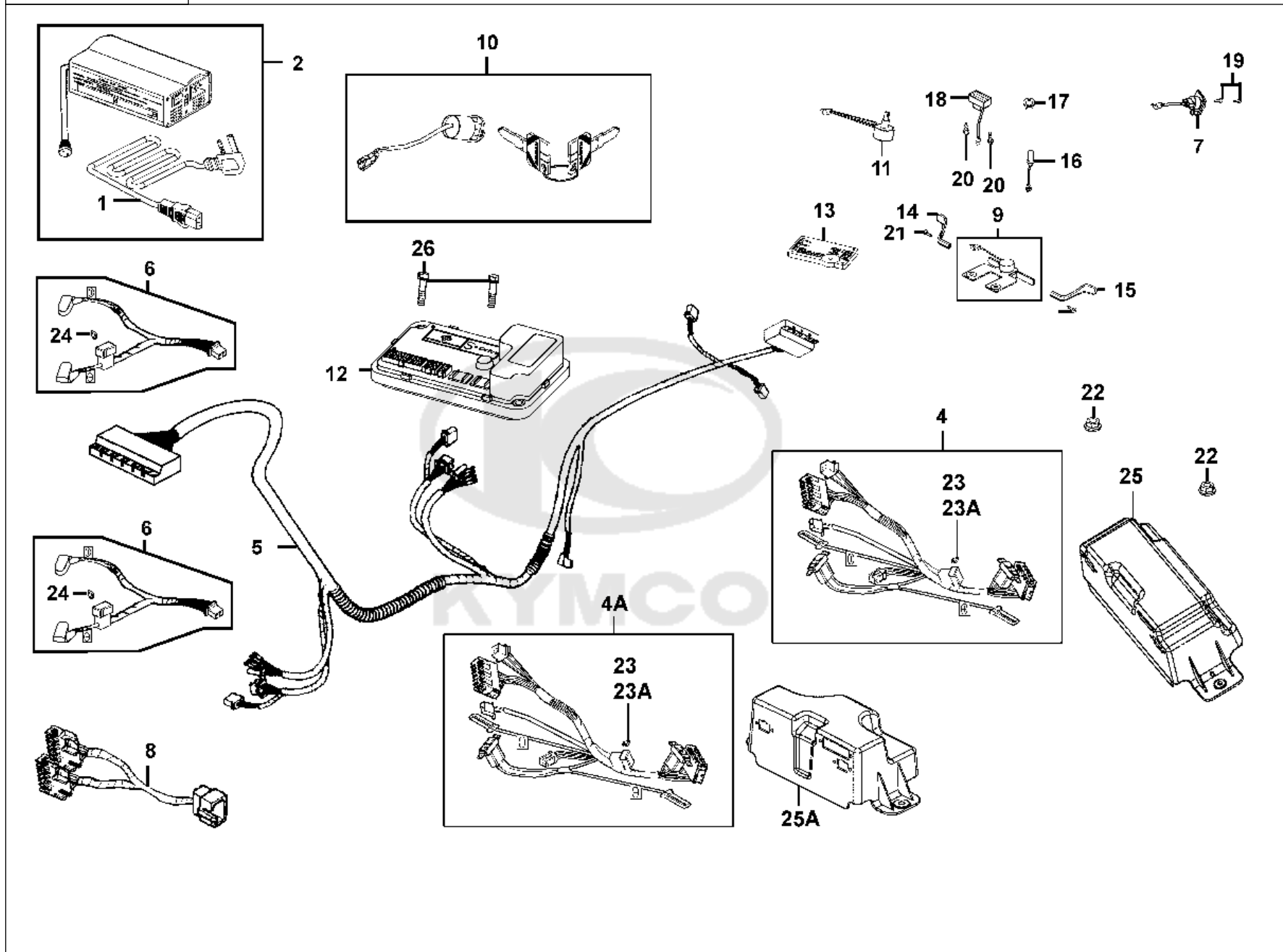
Harness Wire



Sales mark	Ref no	Part no	Description	Reg description	Regd no	Ref Price	F09
	1	31280-LAC5-E20	CORD AC POWER	CORD AC POWER	1	6.50	
	2	31800-LAC5-E21	BATTERY CHARGER ASSY	BATTERY CHARGER ASSY	1	70.00	
	5	32100-LBB6-910	Obsolete	Obsolete	1		
	5	32100-LBB6-920	HARNESS WIRE	HARNESS WIRE	1		
	4	32101-LAC5-910	Obsolete	Obsolete	1		
	4A	32101-LDB4-E72	Obsolete	Obsolete	1		
	4A	32101-LDB4-E73	SUB HARNESS A	SUB HARNESS A	1	19.50	
	6	32201-LAC5-900	CONNECT CORD BATTERY	CONNECT CORD BATTERY	2	24.70	
	7	32620-LAC5-900	SOCKET CHARGER	SOCKET CHARGER	1	8.45	
	8	33710-LAC5-900	REAR LIGHT LOOM	REAR LIGHT LOOM	1	3.25	
	9	34010-LAC5-306	THROTTLE ALT 34010-LAC5-900	THROTTLE ALT 34010-LAC5-900	1		
	9	34010-LAC5-900	THROTTLE	THROTTLE	1	39.00	
	10	35010-LAC5-E00	KEY SET	KEY SET	1	16.25	
	11	35115-LAC5-900	SPEED POT 20K?	SPEED POT 20K?	1	11.70	
	12	36000-LAC5-E20	Obsolete	Obsolete	1		
	13	36100-AAH6-E20	CONTROL METER	CONTROL METER	1	42.50	
	14	36108-LBE1-900	LEVER RH SPEED THROTTLE	LEVER RH SPEED THROTTLE	1	6.50	
	15	36109-LBE1-900	LEVER LH SPEED THROTTLE	LEVER LH SPEED THROTTLE	1	6.50	
	16	36110-LAC5-900	LED	LED	1	3.25	
	17	36120-LAC5-900	LED HOUSE	LED HOUSE	1	3.25	

F09

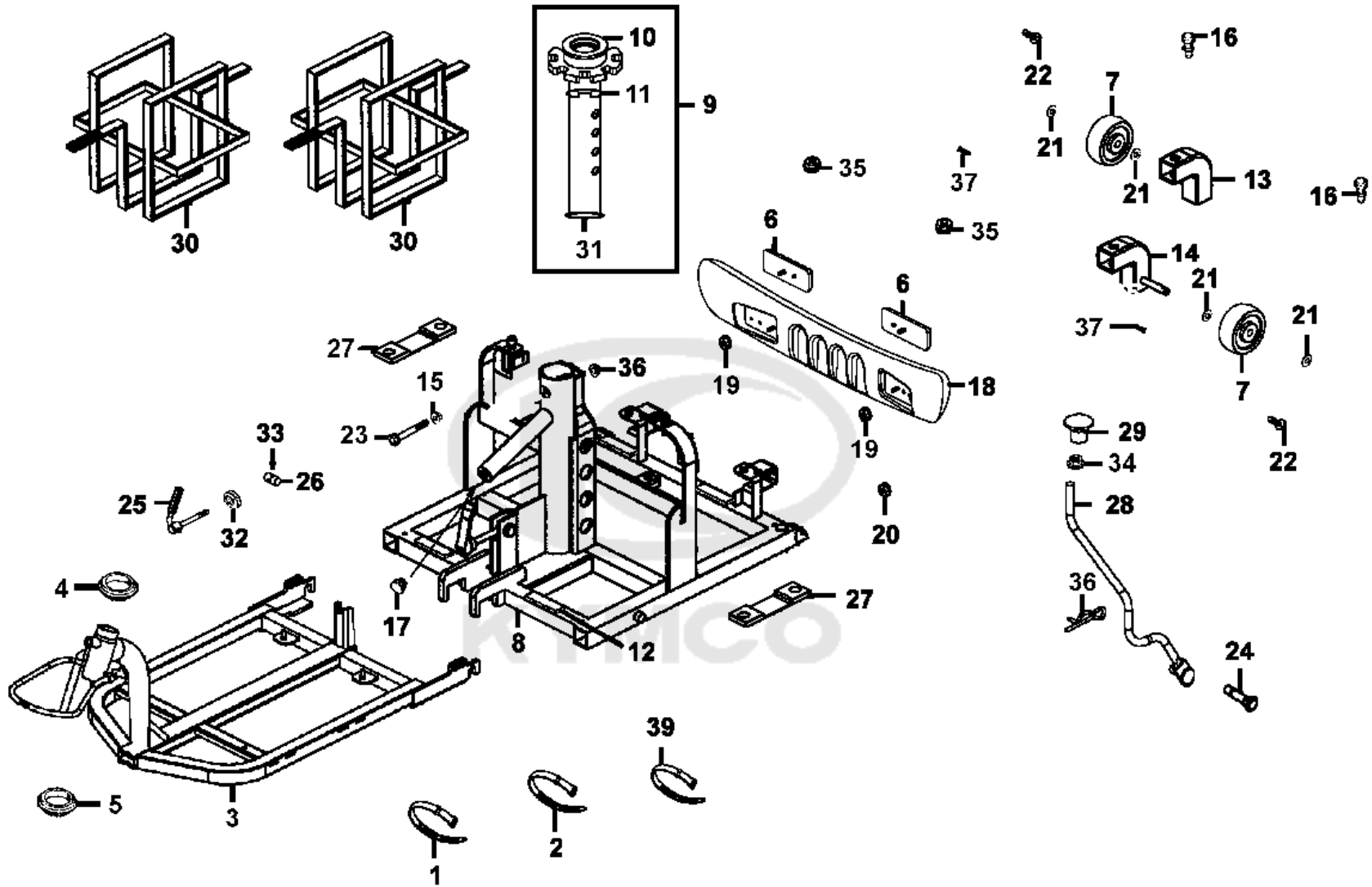
Harness Wire



Sales mark	Ref no	Part no	Description	Reg description	Regd no	Ref Price	F09
18		37806-LAC5-900	VU METER **(0) C.2005.09.08	VU METER **(0) C.2005.09.08	1	9.10	
25		80101-LAC5-900	COVER ELEC CONTROL UNIT	COVER ELEC CONTROL UNIT	1		
25A		80101-LDB4-900	COVER ELEC CONTROL UNIT	COVER ELEC CONTROL UNIT	1	11.70	
26		93500-04030-0HG	SCREW PAN 4*30	SCREW PAN 4*30	1	3.25	
19		93901-32120	SCREW TAPPING 3*8 *(1) C.V.	SCREW TAPPING 3*8 *(1) C.V.	4	0.26	
20		93903-25460	SCREW TAPPING 5*20 **93903-25480	SCREW TAPPING 5*20 **93903-25480	2	0.25	
21		93903-34760	SCREW TAPPING 4*30	SCREW TAPPING 4*30	2	0.41	
22		94050-06080-G	NUT FLANGE 6MM	NUT FLANGE 6MM	2	0.49	
23		98200-30200	BLADE FUSE 2A	BLADE FUSE 2A	1	3.25	
23A		98200-31000	BLADE FUSE 10A *(0) C.2005.03.01	BLADE FUSE 10A *(0) C.2005.03.01	1	3.25	
24		98200-34000	BLADE FUSE 40A	BLADE FUSE 40A	1	1.27	

F10

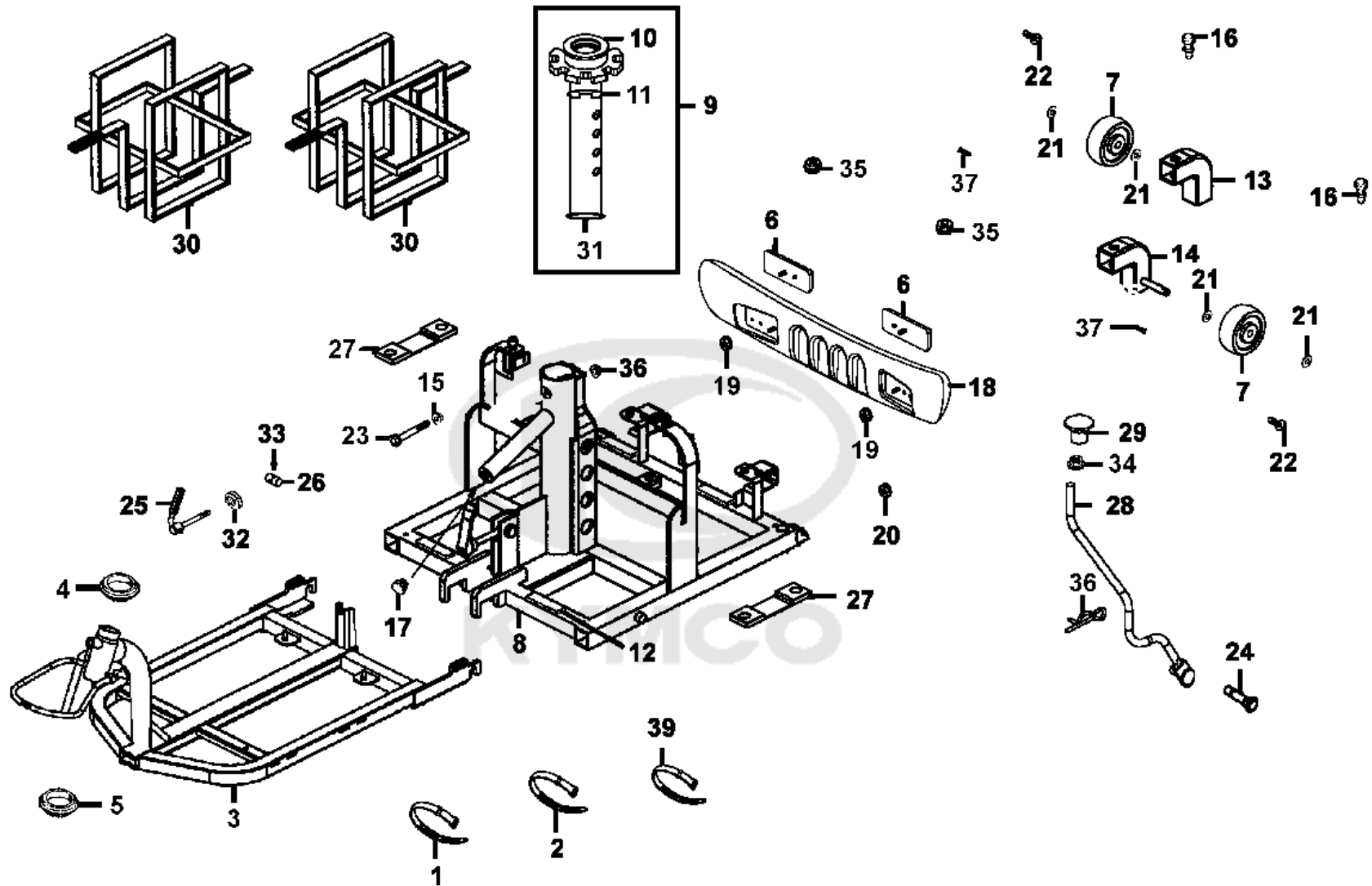
Frame Body



Sales mark	Ref no	Part no	Description	Reg description	Regd no	Ref Price	F10
	1	31510-LAC5-900	BAND BATTERY	BAND BATTERY	1	3.25	
	2	31520-LAC5-900	BAND B BATTERY	BAND B BATTERY	1	3.25	
	6	33741-KEBE-900	REFLEX REFLECTOR **KBE-9000	REFLEX REFLECTOR **KBE-9000	2	2.83	
	7	42800-LAC5-900	ANTI-TIP WHEEL	ANTI-TIP WHEEL	2	3.25	
	3	50110-LBB6-900	Obsolete	Obsolete	1		
	8	50120-LAC5-800	CODY COMP REAR FRAME	CODY COMP REAR FRAME	1	53.80	
	9	50135-LAC5-900	PIPE B SEAT SET **(8) C.2005.09.08	PIPE B SEAT SET **(8) C.2005.09.08	1	18.20	
	10	50136-LAC5-900	RUBBER SEAT SET	RUBBER SEAT SET	1		
	11	50137-LAC5-900	RUBBER A SEAT PIPE	RUBBER A SEAT PIPE	1		
	31	50138-LAC5-900	RUBBER B SEAT PIPE	RUBBER B SEAT PIPE	1		
	12	50222-LAC5-900	RUBBER BATTERY SET	RUBBER BATTERY SET	4	3.25	
	13	50231-LAC5-700	BRKT R REAR WHEEL	BRKT R REAR WHEEL	1	5.20	
	14	50232-LAC5-700	BRKT L REAR WHEEL	BRKT L REAR WHEEL	1	5.20	
	24	50234-LAC5-900	SHAFT BRAKE LEAVE **(0)	SHAFT BRAKE LEAVE **(0) C.2005.09.08	1	5.20	
	4	50301-LDB4-001	RACE UP STRG BALL	RACE UP STRG BALL	1	3.25	
	25	50302-LDB4-900	SHAFT SET LOCK	SHAFT SET LOCK	1	3.25	
	15	50303-LAC5-900	COLLAR SEAT SET PIPE	COLLAR SEAT SET PIPE	1	3.25	
	26	50304-LDB4-900	COLLAR FRAME LOCK	COLLAR FRAME LOCK	1	3.25	
	27	50305-LAE9-E00	RUBBER MOTOR	RUBBER MOTOR	2	4.55	
	5	50305-LDB4-004	RACE UNDER STRG BALL	RACE UNDER STRG BALL	1	3.25	

F10

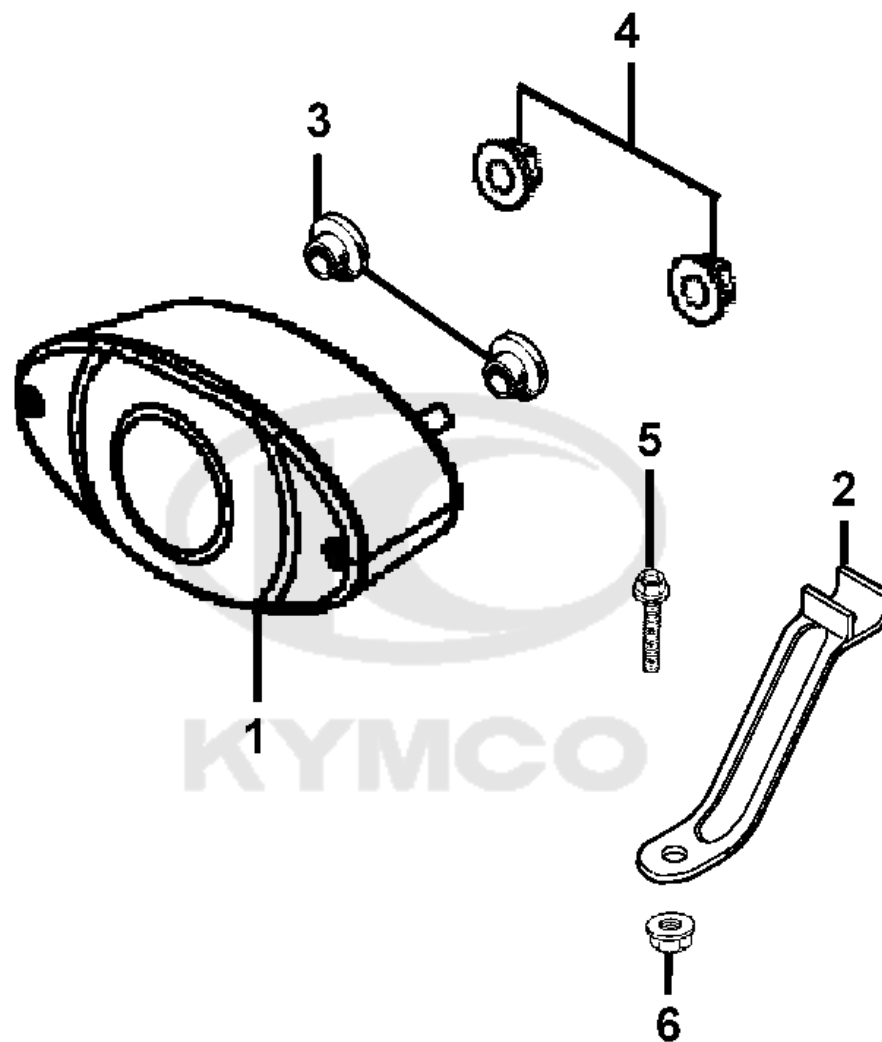
Frame Body



Sales mark	Ref no	Part no	Description	Reg description	Regd no	Ref Price	F10
	28	50308-LAC5-900	BAR BRAKE LEAVE	BAR BRAKE LEAVE	1	3.25	
	29	50309-LAC5-900	BRAKE LEAVE KNOB	BRAKE LEAVE KNOB	1	3.25	
	16	50310-LAC5-900	BOLT LOCK PIN	BOLT LOCK PIN	2	3.25	
	30	50325-LAC5-900	BAG BATTERY	BAG BATTERY	1	9.75	
	17	53103-LAC5-900	END STOP	END STOP	1	3.25	
**	18	83751-LAC5-900	BUMPER RR	BUMPER RR	1	19.50	
	32	84703-LLB1-900	RUBBER TAIL LIGHT **(0) C.2005.05.17	RUBBER TAIL LIGHT **(0) C.2005.05.17	1	0.36	
	33	93500-04012-0HG	SCREW PAN 4*12	SCREW PAN 4*12	1	3.25	
	34	94001-06080-0SG	NUT HEX 6MM	NUT HEX 6MM	1	3.25	
	19	94050-05080-G	NUT FLANGE 5MM(Cr3+) ALT 94050-	NUT FLANGE 5MM(Cr3+) ALT 94050-05080	2		
	35	94050-06080-G	NUT FLANGE 6MM	NUT FLANGE 6MM	2	0.49	
	20	94050-08060	NUT FLANGE 8MM	NUT FLANGE 8MM	1	0.49	
	21	94101-06800-G	WASHER PLAN 6MM	WASHER PLAN 6MM	4	0.12	
	36	94251-08400	PIN LOCK 8MM	PIN LOCK 8MM	1	0.68	
	37	94591-27000	CLIP 2*70	CLIP 2*70	2	0.41	
	22	95701-06055-08G	BOLT FLANGE 68*55	BOLT FLANGE 68*55	2	0.49	
	23	95701-08065-06	BOLT FLANGE 8*65	BOLT FLANGE 8*65	1	3.25	

F11

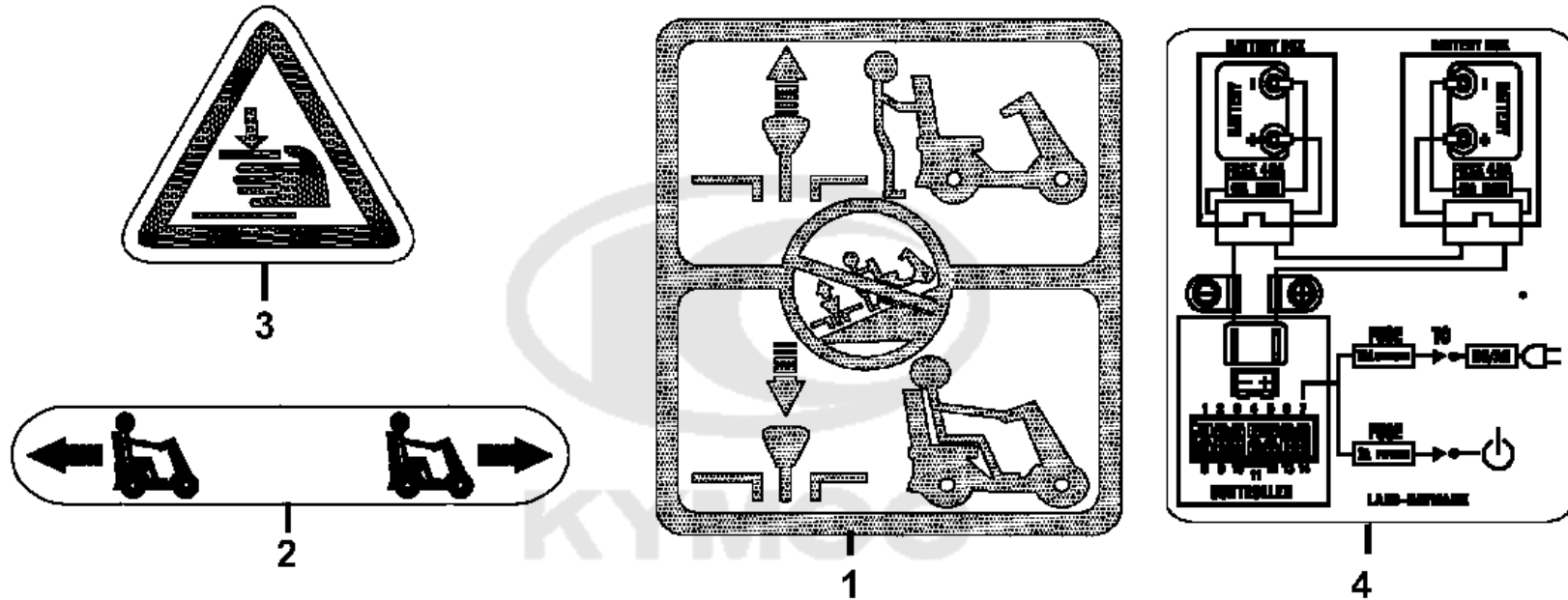
Lead Light



Sales mark	Ref no	Part no	Description	Reg description	Regd no	Ref Price	F11
------------	--------	---------	-------------	-----------------	---------	-----------	-----

1		33100-LAC5-900	Obsolete	Obsolete	1		
2		50180-LAC5-900	Obsolete	Obsolete	1		
3		61104-LAC5-900	Obsolete	Obsolete	2		
6		90301-4C73-004	NUT U 6MM **473-0040 C.2005.03.01	NUT U 6MM **473-0040 C.2005.03.01	1	0.25	
4		94021-06020-0S	NUT HEX CAP 6MM	NUT HEX CAP 6MM	2	0.25	
5		96001-06035-06	BOLT FLANGE SH 6*35	BOLT FLANGE SH 6*35	1	0.25	





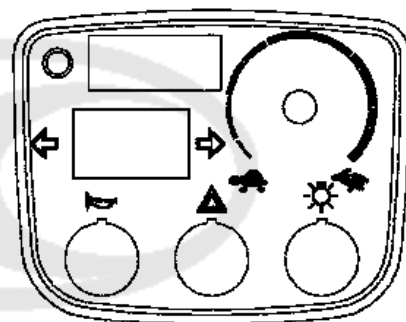
Sales mark	Ref no	Part no	Description	Reg description	Regd no	Ref Price	F12
------------	--------	---------	-------------	-----------------	---------	-----------	------------

**	1	87501-LAC5-900	USE CAUTION SILVER	USE CAUTION SILVER	1	3.25	
**	4	87508-LAC5-910	LABEL BATTERY	LABEL BATTERY	1	3.25	
**	3	87541-LAE9-E00	CAUTION LOCK **E00	CAUTION LOCK **E00	1	3.25	
**	2	87560-LAC5-900	MARK DRIVE CAUTION	MARK DRIVE CAUTION	1	3.25	





1



3



2

KYMCO

Sales mark	Ref no	Part no	Description	Reg description	Regd no	Ref Price	F13
------------	--------	---------	-------------	-----------------	---------	-----------	------------

**	1	86020-LAC5-E20	EMB DMA STRIDER	EMB DMA STRIDER	1		
**	3	86444-LAC5-900	EMB METER	EMB METER	1	6.50	



PART NO. INDEX

PART NO.	VERSION	PAGE	PART NO.	VERSION	PAGE	PART NO.	VERSION	PAGE
11000			32101-LAC5-910	0	F09			
			32101-LDB4-E72	0	F09	34000		
			32101-LDB4-E73	1	F09			
1110A-LAC5-900	9	E01	32201-LAC5-900	7	F09	34010-LAC5-306	0	F09
11302-LAC5-900	0	E01	32620-LAC5-900	5	F09	34010-LAC5-900	7	F09
13000			33000			34903-LAC5-900	1	F08
						34905-LAC5-900	1	F08
13331-LAC5-900	0	E01	33100-LAC5-900	5	F11	35000		
			33400-LBB6-900	1	F08			
31000			33401-LAC5-900	1	F08	35010-LAC5-E00	2	F09
			33404-LAC5-900	2	F08	35110-LAC5-900	5	F01
31280-LAC5-E20	2	F09	33450-LBB6-900	1	F08	35115-LAC5-900	1	F09
31300-LAC5-M30	0	E01	33451-LAC5-900	1	F08	35150-LAC5-900	4	F01
31340-LAC5-900	0	E01	33454-LAC5-900	2	F08	35180-LAC5-900	4	F01
31345-LAC5-305	0	E01	33600-LAC5-900	7	F08	35190-LAC5-900	7	F01
31347-LAC5-305	0	E01	33601-LAC5-900	3	F08	35200-LAC5-900	3	F01
31350-LAC5-900	0	E01	33604-LAC5-900	2	F08			
31510-LAC5-900	4	F10	33650-LAC5-900	7	F08	36000		
31520-LAC5-900	3	F10	33651-LAC5-900	3	F08			
31800-LAC5-E21	4	F09	33654-LAC5-900	2	F08	36000-LAC5-E20	1	F09
			33710-LAC5-900	3	F09	36100-AAH6-E20	4	F09
32000			33741-GFY6-C30	1	F07	36108-LBE1-900	2	F09
			33741-KEBE-900	3	F10	36109-LBE1-900	2	F09
32100-LBB6-910	0	F09				36110-LAC5-900	3	F09
32100-LBB6-920	0	F09				36120-LAC5-900	2	F09

PART NO. INDEX

PART NO.	VERSION	PAGE	PART NO.	VERSION	PAGE	PART NO.	VERSION	PAGE
37000			50000			50310-LAC5-900	4	F10
37806-LAC5-900	4	F09	50110-LBB6-900	4	F10	50325-LAC5-900	1	F10
42000			50120-LAC5-800	1	F10	50350-LDB4-900	2	E01
42315-LAC5-900	3	F05	50135-LAC5-900	9	F10	53000		
42705-LAC5-900	5	F05	50136-LAC5-900	4	F10	53100-LBB6-900	4	F01
4270A-LAC5-900	6	F05	50137-LAC5-900	1	F10	53103-LAC5-900	2	F10
42800-LAC5-900	6	F10	50138-LAC5-900	0	F10	53104-LBB6-900	5	F01
44000			50150-LAC5-900	4	F01	53125-LAC5-900	6	F01
44301-LBB6-900	5	F04	50160-LAC5-900	7	F01	53166-LAC5-911	1	F01
44311-LBB6-900	0	F04	50180-LAC5-900	0	F11	53190-LAC5-90A	9	F01
44315-LAC5-900	3	F04	50222-LAC5-900	3	F10	53191-LAC5-900	2	F01
44600-LBB6-900	0	F04	50227-LAC5-700	6	F07	53196-LAC5-900	4	F01
44620-LBB6-900	3	F04	50231-LAC5-700	4	F10	53200-LBB6-700	1	F03
44650-LBB6-900	3	F04	50232-LAC5-700	4	F10	53204-LBB6-900	1	F01
44701-LAC5-900	5	F04	50234-LAC5-900	2	F10	53205-LBB6-900	3	F01
44701-LAC5-900	5	F05	50301-LDB4-001	1	F10	53206-LAC5-900	4	F01
44701-LBB6-900	2	F04	50302-LDB4-900	2	F10	53207-LAC5-900	8	F01
44702-LAC5-900	4	F05	50303-LAC5-900	4	F10	53209-LAC5-800	6	F01
44710-LAC5-900	4	F04	50304-LDB4-900	2	F10	53211-GFY6-940	1	F03
44710-LAC5-900	4	F05	50305-LAE9-E00	3	F10	53212-LDB4-004	1	F03
			50305-LDB4-004	1	F10	53406-LAC5-900	2	F01
			50306-1F96-001	0	F03			
			50308-LAC5-900	6	F10			
			50309-LAC5-900	3	F10			

PART NO. INDEX

PART NO.	VERSION	PAGE	PART NO.	VERSION	PAGE	PART NO.	VERSION	PAGE
61000			83551-KKAK-900	0	F07	90000		
			83600-LAC5-900	7	F07			
			83751-LAC5-900	1	F10			
61104-LAC5-900	0	F11	84000			90023-LAC5-001	1	F02
64000						90105-LAC5-900	4	F05
						90301-4C73-004	0	F01
64310-LBB6-900	0	F02	84703-LLB1-900	1	F10	90301-4C73-004	0	F11
64311-LBB6-900	0	F02	86000			90301-LAC5-671	1	F02
64320-LBB6-900	0	F02				90302-GFY6-911	1	F01
77000			86020-LAC5-E20	1	F13	90302-KEC8-910	1	F01
			86102-LAC5-E21	1	F13	90302-LAC5-004	1	F01
77100-LAC5-900	3	F06	86444-LAC5-900	9	F13	90304-GHE8-004	0	F04
77200-LAC5-900	6	F06	87000			90306-GLW0-90A	1	F05
77223-LAC5-305	2	F06				90309-GLW0-90A	1	F01
77300-LAC5-900	3	F06	87501-LAC5-900	7	F12	93000		
80000			87508-LAC5-910	2	F12			
			87541-LAE9-E00	1	F12	93500-04010-0F	0	F01
80101-LAC5-900	5	F09	87560-LAC5-900	4	F12	93500-04012-0HG	0	F10
80101-LDB4-900	5	F09	88000			93500-04030-0HG	0	F09
83000						93891-04012-06	0	E01
			88120-LAC5-910	4	F01	93901-32120	1	F09
83500-LAC5-900	5	F07	88130-LAC5-900	2	F01	93901-32310	0	F08
						93903-25460	0	F09
						93903-34380-G	0	F01
						93903-34380-G	0	F07

PART NO. INDEX

PART NO.	VERSION	PAGE	PART NO.	VERSION	PAGE	PART NO.	VERSION	PAGE
93903-34380-G	0	F08						
93903-34760	0	F09	95000					
93903-GFY6-910	1	F01						
94000								
			95701-06012-06	1	F07			
			95701-06055-08G	0	F10			
			95701-08065-06	0	F10			
94001-06080-0SG	0	F10	95801-08025-08	0	F04			
94021-06020-0S	0	F11	95801-08035-06	1	F01			
94021-08020-0S	0	F04	95801-08045-08G	0	F01			
94021-08020-0S	0	F05						
94050-05080-G	1	F10	96000					
94050-06080-G	1	F07						
94050-06080-G	1	F09	96001-06035-06	0	F11			
94050-06080-G	1	F10	96130-62000-00	0	F04			
94050-08060	0	F10	96211-05000	26	F03			
94050-08080-G	1	E01	96600-06060-08G	1	E01			
94050-08080-G	1	F01						
94101-06800-G	1	F10	98000					
94111-08800	0	F04						
94111-08800	0	F05	98200-30200	0	F09			
94251-08400	0	F10	98200-31000	1	F09			
94510-19000	0	E01	98200-34000	0	F09			
94591-27000	0	F10						