

PARTS CATALOGUE



MOBILITY SCOOTER

EV10DC(UK)

Strider-DAYS



Release Date : 2016/10/27
Print Date : 2019/11/04

ABOUT THIS PARTS LIST

- This parts list is compiled all service parts for model EV10DC(UK).
- Any difference between color chart and motorcycle will be revised according to motorcycle.
- The Mark:
 1. Marking "***" must add color code in the end before ordering parts.
 2. Marking "#" are parts with modification, Please find the details from e-Parts system.
- When modification or additions to this parts list are made a revised edition at an appropriate time.



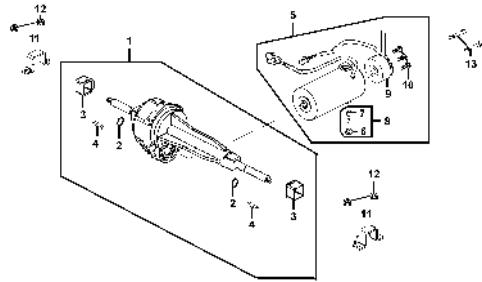
CONTENTS

● ABOUT THIS PARTS LIST	1
● COLOR CHART OF EV10DC(UK)	3
● CONTENTS-ENGINE GROUP	4
● CONTENTS-FRAME GROUP	5
● ENGINE PARTS LIST	7
● FRAME PARTS LIST	9
● PART NO. INDEX	43

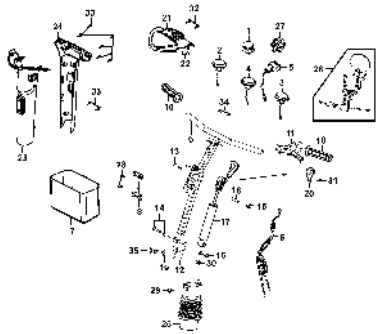
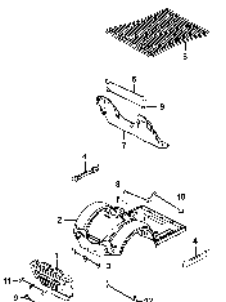
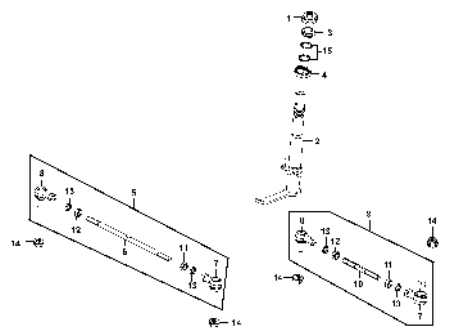
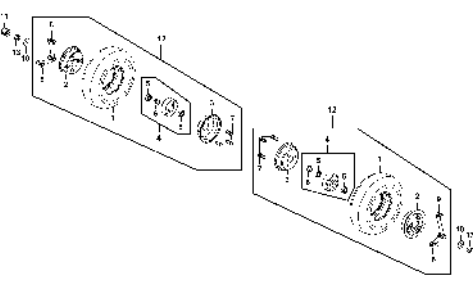
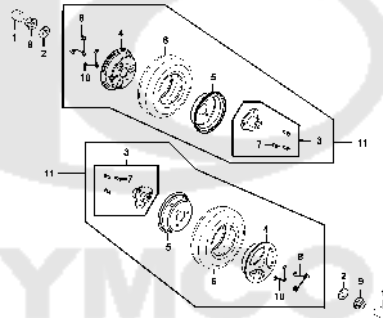
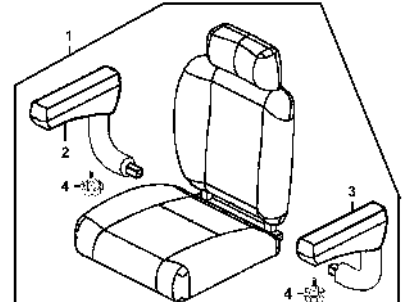
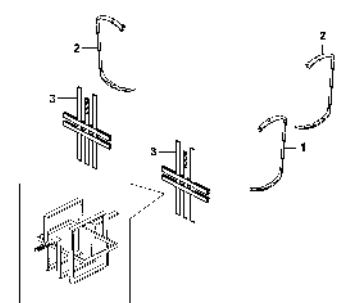
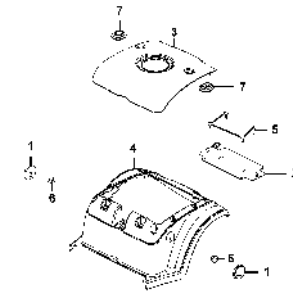
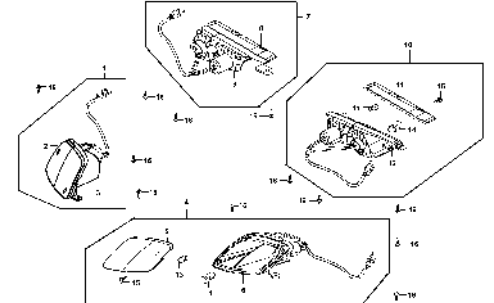
NO	MODEL			COLOR CHART OF EV10DC(UK)			
	PHOTO NO			NO. 1	NO. 2	NO. 3	NO. 4
	BASIC COLOR			Deep Blue Metallic	Bright Silver	Burgundy	Dark Red
	CODE			Deep Blue Metallic	Bright Silver	Burgundy	Dark Red
	PARTS NAME	PARTS NO.	VERSION	PB183MA	NH045MA	RR132MA	RR132MA
1	GRIP L HANDLE	53166-LAC5-911	1	N1R			
2	BOLT HANDLE SET	64302-LAC5-900	5				
3	MOLD A	64311-LAC5-900	3				
4	PLUG FLOOR	64316-LAC5-900	2				
5	MAT FLOOR	64320-LAC5-900	2				
6	COVER FLOOR	64330-LAC5-900	4				
7	BUMPER RR	83751-LAC5-900	1				
8	COVER HANDLE FR	53205-LAC5-900	5	BHP N8P R7P			
9	COVER HANDLE RR	53206-LBE1-900	1				
10	METER COVER	53207-LAC5-900	8				
11	FLOOR PANEL	64310-LAC5-900	5				
12	COVER BODY LOW	83600-LAC5-900	7				
13	COVER BODY UP	83500-LAC5-900	5	N8P			
14	SEAT ASSY	77200-LAC5-900	6	T01			
15	EMB DMA STRIDER	86020-LAC5-E20	1				
16	EMB DAYS LOGO 35MM	86102-LAC5-E21	1				
17	EMB METER	86444-LAC5-900	9				
18	LABEL BATTERY	87508-LDB4-910	1				
19	MAR DRIVE CAUTION	87560-LAC5-900	4	T01 T02 T01			
20	USE CAUTION	87501-LAC5-900	7				
21	LABLE SPEED SW	87562-LBE1-E00	3				
DATE OF STARTING-SALES				2005-06-01		2005-06-01	2005-06-01
DATE OF END-SALES							

CONTENTS - ENGINE GROUP

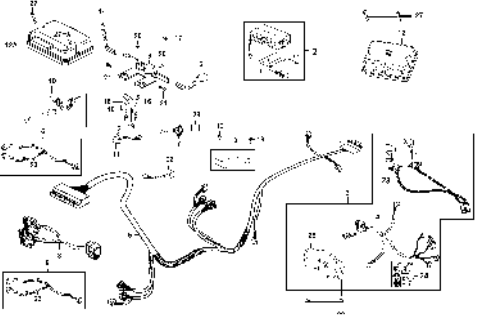
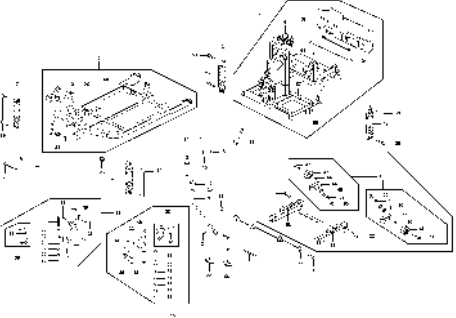
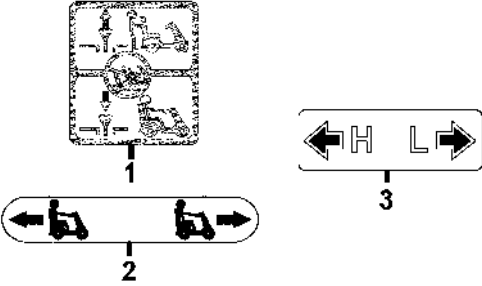
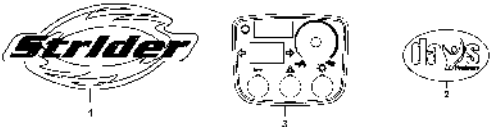

E01 MOTOR ASSY



CONTENTS - FRAME GROUP

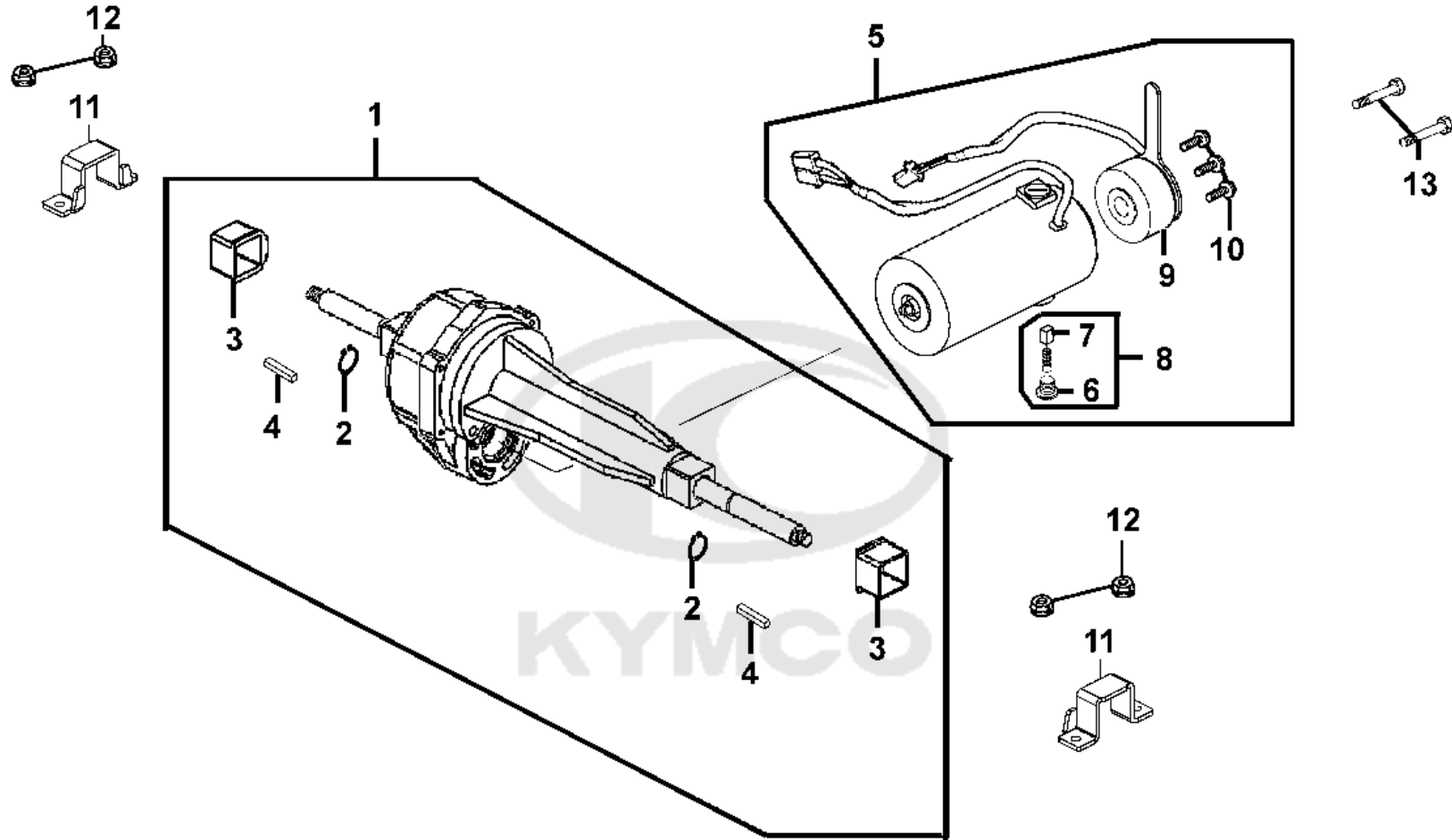
<p>F01 Handle Steering</p>	<p>F02 Floor Panel</p>	<p>F03 Stem Steering</p>
		
<p>F04 Front Wheel</p>	<p>F05 Rear Wheel</p>	<p>F06 Seat</p>
		
<p>F07 Battery</p>	<p>F08 Body Cover</p>	<p>F09 Winker</p>
		

CONTENTS - FRAME GROUP

<p>F10 Harness Wire</p>	<p>F11 Frame Body</p>	<p>F12 Caution Label</p>
		
<p>F13 Mark</p>		
		

E01

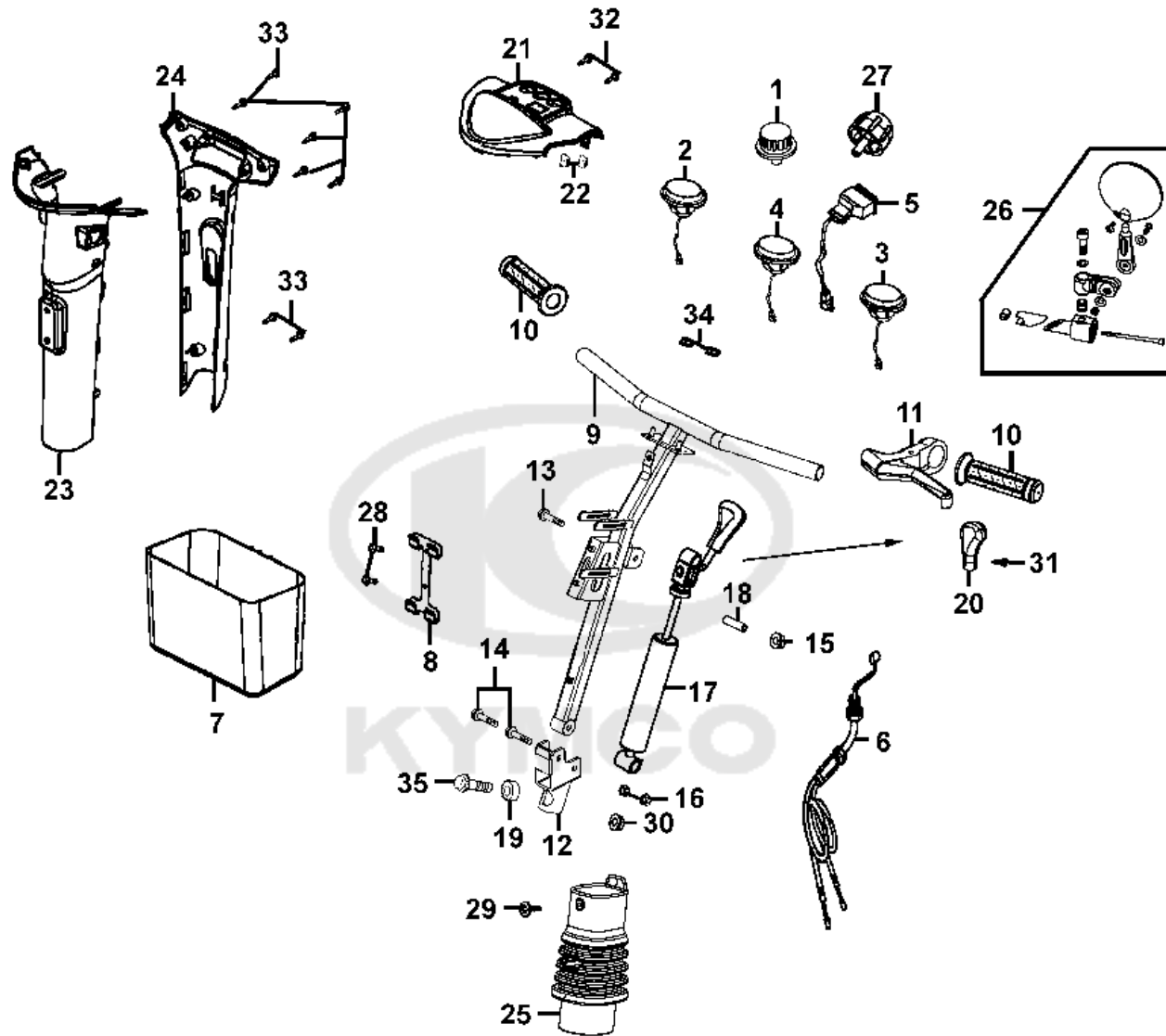
MOTOR ASSY



Sales mark	Ref no	Part no	Description	Reg description	Regd no	Ref Price	E01
	1	1110A-LDB4-E20	MISSION ASSY	MISSION ASSY	1	189.61	
	3	11302-LAC5-900	RUBBER	RUBBER	2	6.50	
	4	13331-LAC5-900	KEY 4.8*4.8*30	KEY 4.8*4.8*30	2	3.25	
	5	31300-LDB4-E20	MOTOR ASSY (egis)	MOTOR ASSY (egis)	1	150.00	
	5	31300-LDB4-E21	MOTOR ASSY(S DRIVE)	MOTOR ASSY(S DRIVE)	1	150.00	
	8	31340-LAC5-900	BRUSH ASSY	BRUSH ASSY	2	7.00	
	7	31345-LAC5-305	MOTOR BRUSH- MIDI XL/ SUPER 4/6/8/	MOTOR BRUSH- MIDI XL/ SUPER 4/6/8/	2	3.25	
	6	31347-LAC5-305	CAP BRUSH	CAP BRUSH	2	3.25	
	9	31350-LAC5-900	BRAKE ASSY	BRAKE ASSY	1	52.00	
	9	31350-LDB4-E20	BRAKE ASSY	BRAKE ASSY	1	52.00	
	11	50350-LDB4-900	CONNECTOR MISSION	CONNECTOR MISSION	2	5.20	
	10	93891-04012-06	SCREW WASHER 4*12	SCREW WASHER 4*12	1	0.13	
	12	94050-08080-G	NUT FLANGE 8MM (C)	NUT FLANGE 8MM (C)	4	0.49	
	2	94510-19000	CIRCLIP EX 1.9	CIRCLIP EX 1.9	2	2.12	
	13	96600-06060-08G	SCOKET BOLT 8*18	SCOKET BOLT 8*18	2	3.25	

F01

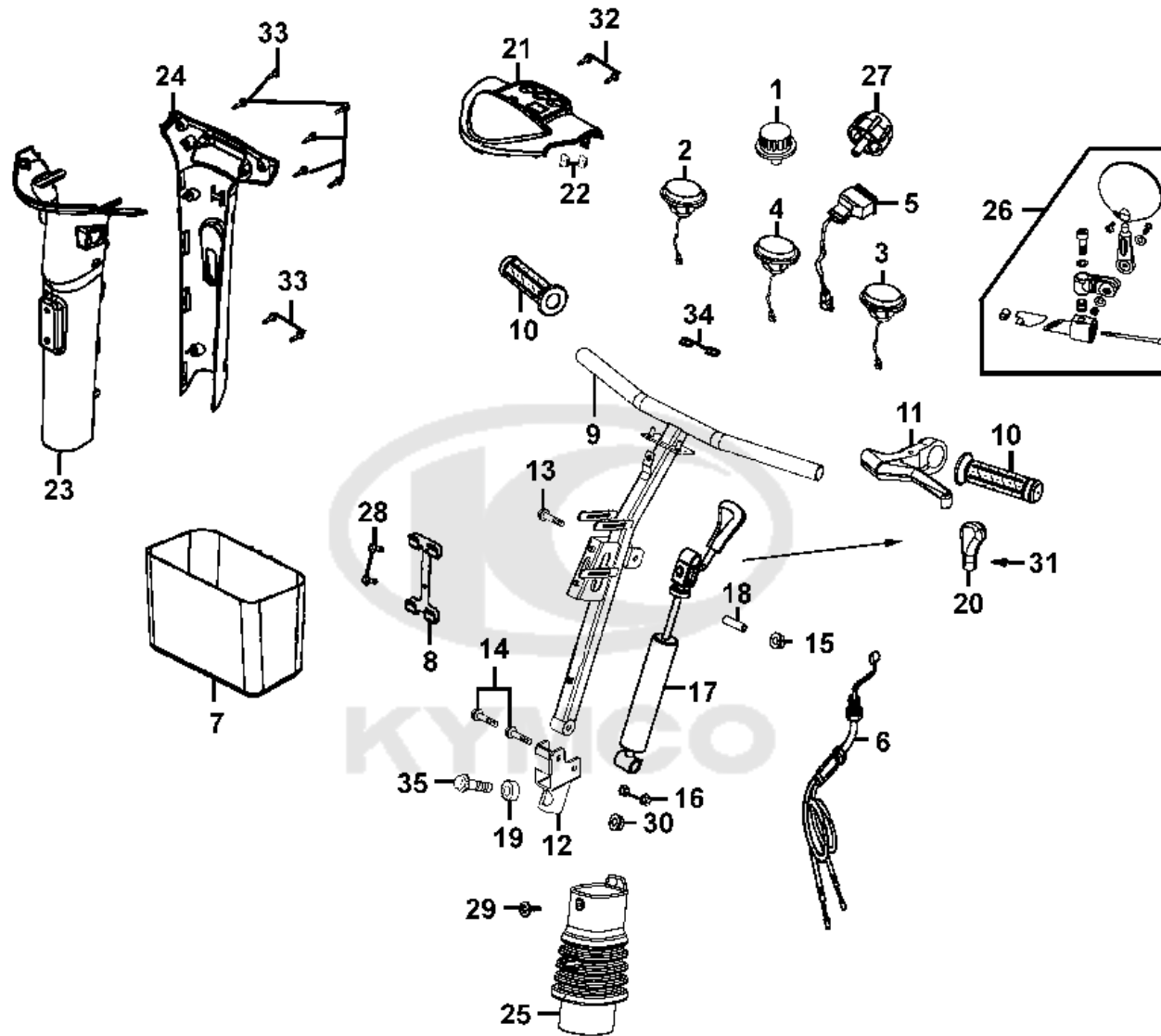
Handle Steering



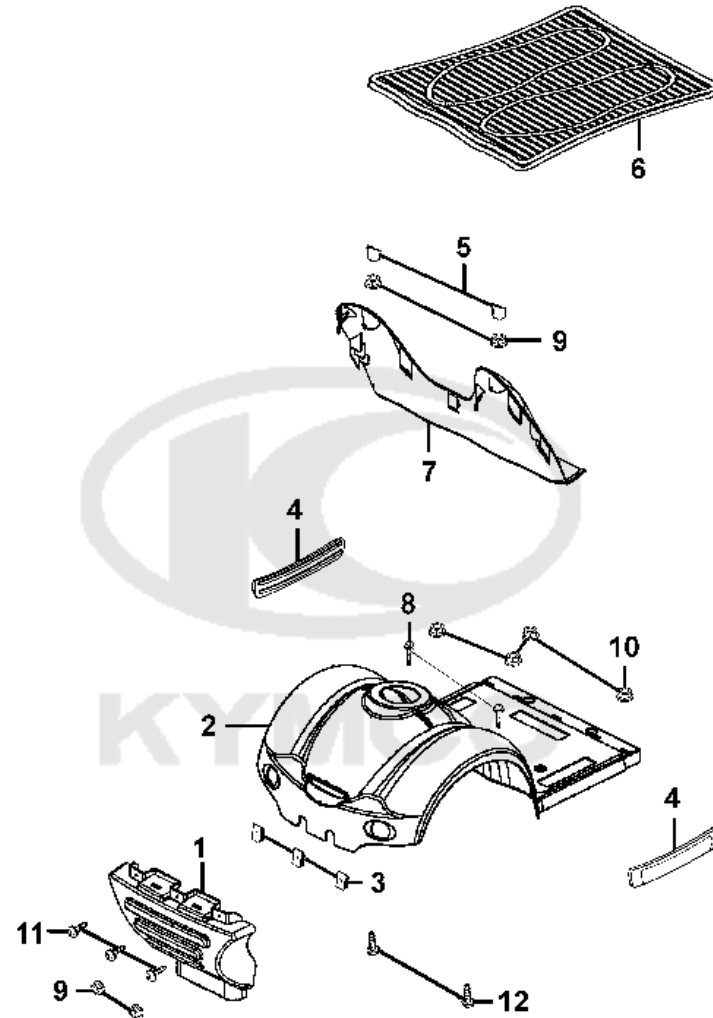
Sales mark	Ref no	Part no	Description	Reg description	Regd no	Ref Price	F01
	1	35110-LAC5-900	SPEED KNOB ALT 35110-LHD7-900	SPEED KNOB ALT 35110-LHD7-900	1	5.20	
	2	35150-LAC5-900	SW UNIT LIGHTING ALT 3150-LAC5-	SW UNIT LIGHTING ALT 3150-LAC5-900-R	1	6.50	
	3	35180-LAC5-900	SW UNIT HORN **(2) C.2007.02.05	SW UNIT HORN **(2) C.2007.02.05	1	6.50	
	4	35190-LAC5-900	SW UNIT HAZARD	SW UNIT HAZARD	1	6.50	
	5	35200-LAC5-900	SW UNIT WINKER ALT 35200-LAC5-900	SW UNIT WINKER ALT 35200-LAC5-900-R	1	6.50	
	6	45450-LAC5-700	BRAKE CABLE- EQ30BA + STRIDER	BRAKE CABLE- EQ30BA + STRIDER MIDI	1	7.22	
	7	50150-LAC5-900	BASKET ALT 50150-LAC5-910	BASKET ALT 50150-LAC5-910	1	18.20	
	8	50160-LAC5-900	STAY BASKET SET	STAY BASKET SET	1	5.20	
	9	53100-LAC5-900	HANDLE COMP STRG	HANDLE COMP STRG	1	22.10	
	12	53104-LAC5-900	STAY COMP HANDLE	STAY COMP HANDLE	1	29.25	
	19	53125-LAC5-900	COLLAR HANDLE SET	COLLAR HANDLE SET	1	3.25	
**	10	53166-LAC5-911	HAND GRIP	HAND GRIP	2	3.25	
	11	5317B-LAC5-900	BRACKET ASSY HANDLE LH	BRACKET ASSY HANDLE LH	1	9.75	
	11	5317B-LBE1-E70	BRAKE LEVER	BRAKE LEVER	1	16.25	
	17	53190-LAC5-90A	ADJUSTER HANDLE/ Gas strut	ADJUSTER HANDLE/ Gas strut	1	29.25	
	18	53191-LAC5-900	COLLAR ADJUSTER	COLLAR ADJUSTER	1	1.33	
	20	53196-LAC5-900	BLACK GRIP	BLACK GRIP	1	3.21	
**	23	53205-LAC5-900	COVER HANDLE FR	COVER HANDLE FR	1	18.20	
**	24	53206-LBE1-900	COVER HANDLE RR	COVER HANDLE RR	1	18.20	
**	21	53207-LAC5-900	METER COVER ASSY	METER COVER ASSY	1	10.40	

F01

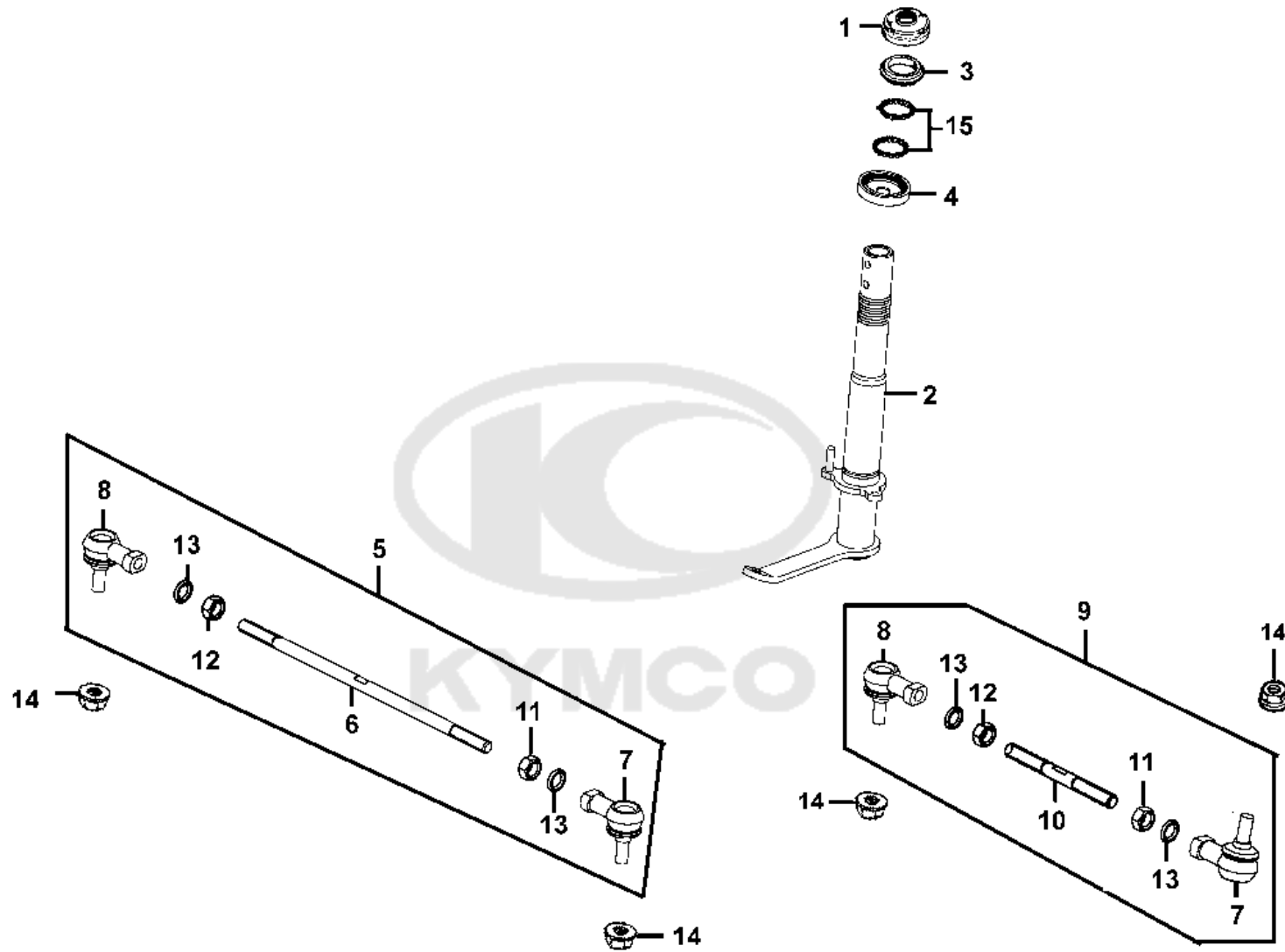
Handle Steering



Sales mark	Ref no	Part no	Description	Reg description	Regd no	Ref Price	F01
	25	53209-LAC5-900	COVER DUST	COVER DUST	1	11.70	
	14	53406-LAC5-900	BOLT HANDLE SET	BOLT HANDLE SET	1	3.25	
	26	88120-LAC5-910	MIRROR ASSY BACK	MIRROR ASSY BACK	1	16.25	
	27	88130-LAC5-900	CAP HANDLE PIPE	CAP HANDLE PIPE	1	5.00	
	16	90301-4C73-004	NUT U 6MM **473-0040 C.2005.03.01	NUT U 6MM **473-0040 C.2005.03.01	2	0.25	
	28	90302-GFY6-911	BOLT-WASH 5*12	BOLT-WASH 5*12	2	3.25	
	29	90302-KEC8-910	BOLT PAN 5*9	BOLT PAN 5*9	2	3.25	
	22	90302-LAC5-004	NUT SPRING 4MM	NUT SPRING 4MM	5	3.25	
	30	90309-GLW0-90A	NUT U FLANGE 8MM **(0) C.2009.03.05	NUT U FLANGE 8MM **(0) C.2009.03.05	1	0.85	
	31	93500-04010-0F	SCREW PAN 4X10(G)	SCREW PAN 4X10(G)	1	0.64	
	33	93903-34380-G	SCREW TAPPING 4x12	SCREW TAPPING 4x12	1	3.25	
	32	93903-GFY6-910	BOLT-WASH 5*12	BOLT-WASH 5*12	2	3.25	
	34	94050-05080-G	NUT FLANGE 5MM(Cr3+) ALT 94050-	NUT FLANGE 5MM(Cr3+) ALT 94050-05080	2		
	15	94050-08080-G	NUT FLANGE 8MM (C)	NUT FLANGE 8MM (C)	3	0.49	
	13	95801-08035-06	BOLT FLANGE 8*35 **LLJ1-900	BOLT FLANGE 8*35 **LLJ1-900	1	0.36	
	35	95801-08045-08G	BOLT FLANGE 8*45	BOLT FLANGE 8*45	1	0.49	



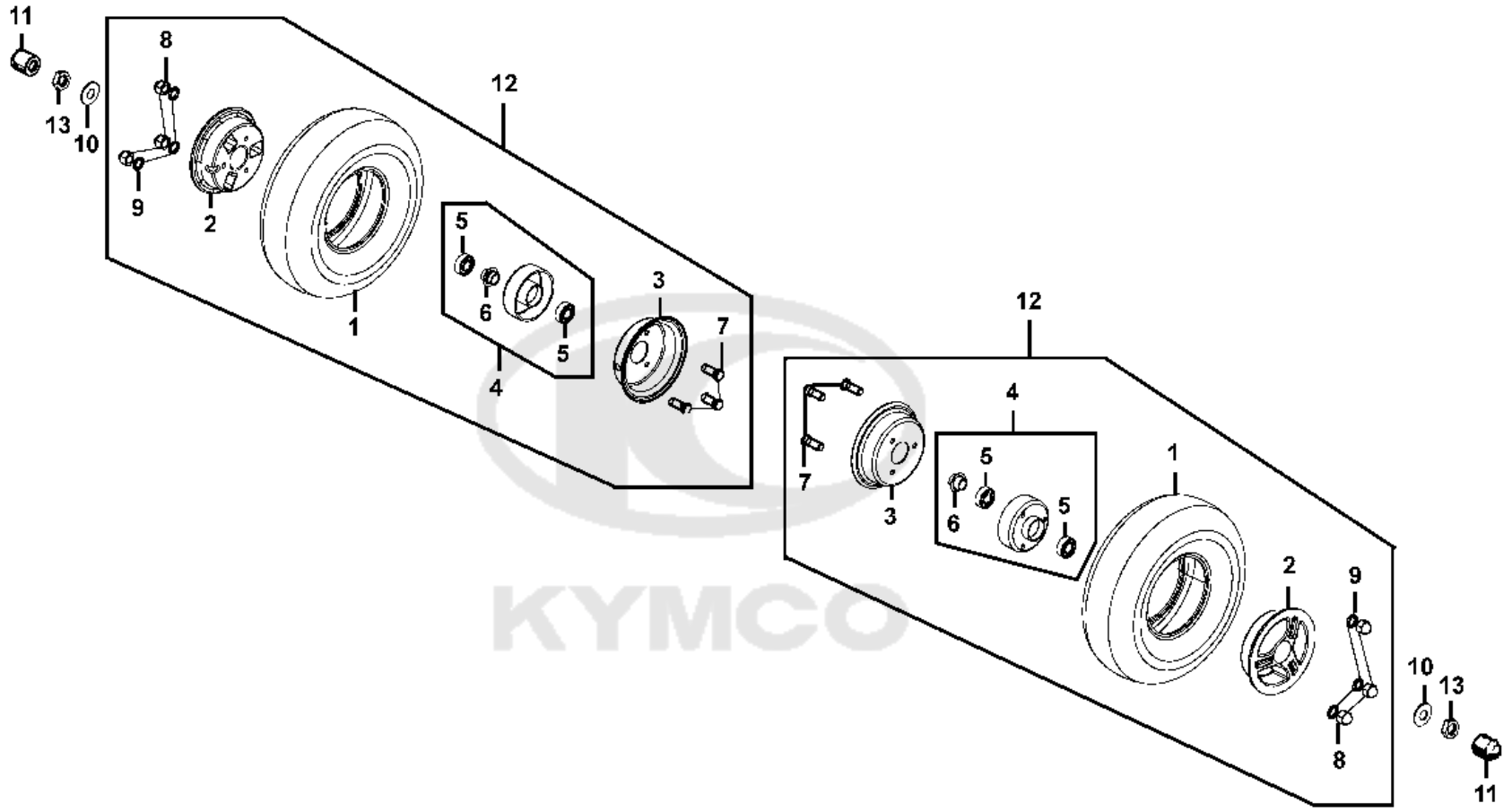
Sales mark	Ref no	Part no	Description	Reg description	Regd no	Ref Price	F02
**	1	64302-LAC5-900	FRONT PLASTIC BUMPER- SUPER	FRONT PLASTIC BUMPER- SUPER 4/6/8/	1	8.45	
**	2	64310-LAC5-900	FR FLOOR PANEL- MIDI RANGE-	FR FLOOR PANEL- MIDI RANGE- BRIGHT	1	81.25	
**	4	64311-LAC5-900	MOLD A	MOLD A	2	3.25	
**	5	64316-LAC5-900	PLUG FLOOR	PLUG FLOOR	2	3.25	
**	6	64320-LAC5-900	FLOOR MAT- MIDI RANGE- BLACK	FLOOR MAT- MIDI RANGE- BLACK MAT	1	11.05	
**	7	64330-LAC5-900	COVER FLOOR	COVER FLOOR	1	9.75	
	8	90023-LAC5-001	BOLT SEAT LOCK 6X13.5	BOLT SEAT LOCK 6X13.5	2	3.25	
	9	90301-LAC5-001	NUT 6MM OPENSTAY	NUT 6MM OPENSTAY	3	3.25	
	10	90301-LAC5-671	NUT FLANGE 6MM	NUT FLANGE 6MM	6	3.25	
	3	90302-LAC5-004	NUT SPRING 4MM	NUT SPRING 4MM	5	3.25	
	11	93903-14380-G	SCREWTAPPING 4x12	SCREWTAPPING 4x12	1	3.25	
	12	93903-34380-G	SCREW TAPPING 4x12	SCREW TAPPING 4x12	1	3.25	



Sales mark	Ref no	Part no	Description	Reg description	Regd no	Ref Price	F03
	1	50306-1F96-001	NUT STRG STEM LOCK	NUT STRG STEM LOCK	1	1.18	
	2	53200-LDB4-900	STEM COMP STRG	STEM COMP STRG	1	16.25	
	3	53211-GFY6-940	RACE STRG TOP CONE **GY6-9400	RACE STRG TOP CONE **GY6-9400	1	1.87	
	4	53212-LDB4-004	ORDER 53212-GHC8-004	ORDER 53212-GHC8-004	1	3.25	
	5	53700-LAC5-700	ROAD ASSY STEERING alt 53700-LAC5	ROAD ASSY STEERING alt 53700-LAC5-	1	13.00	
	6	53701-LAC5-700	ROD COMP SWING	ROD COMP SWING	1	16.25	
	7	53702-LAC5-900	BALL JOINT R	BALL JOINT R	2	6.50	
	8	53703-LAC5-900	JOINT L BALL	JOINT L BALL	2	16.25	
	9	53800-LAC5-700	ROD ASSY STEERING	ROD ASSY STEERING	1	13.00	
	10	53801-LAC5-700	ROD COMP STEERING	ROD COMP STEERING	1	11.70	
	14	90309-GLW0-90A	NUT U FLANGE 8MM **(0) C.2009.03.05	NUT U FLANGE 8MM **(0) C.2009.03.05	4	0.85	
	11	94001-08080-0S	NUT HEX 8MM	NUT HEX 8MM	2	0.49	
	12	94001-LAC5-900	NUT HEX 8MM L	NUT HEX 8MM L	2	0.55	
	13	94111-08800	WASHER SPRING 8MM	WASHER SPRING 8MM	4	0.33	
	15	96211-05000	BALL BEARING PACK OF 100	BALL BEARING PACK OF 100	55	3.25	

F04

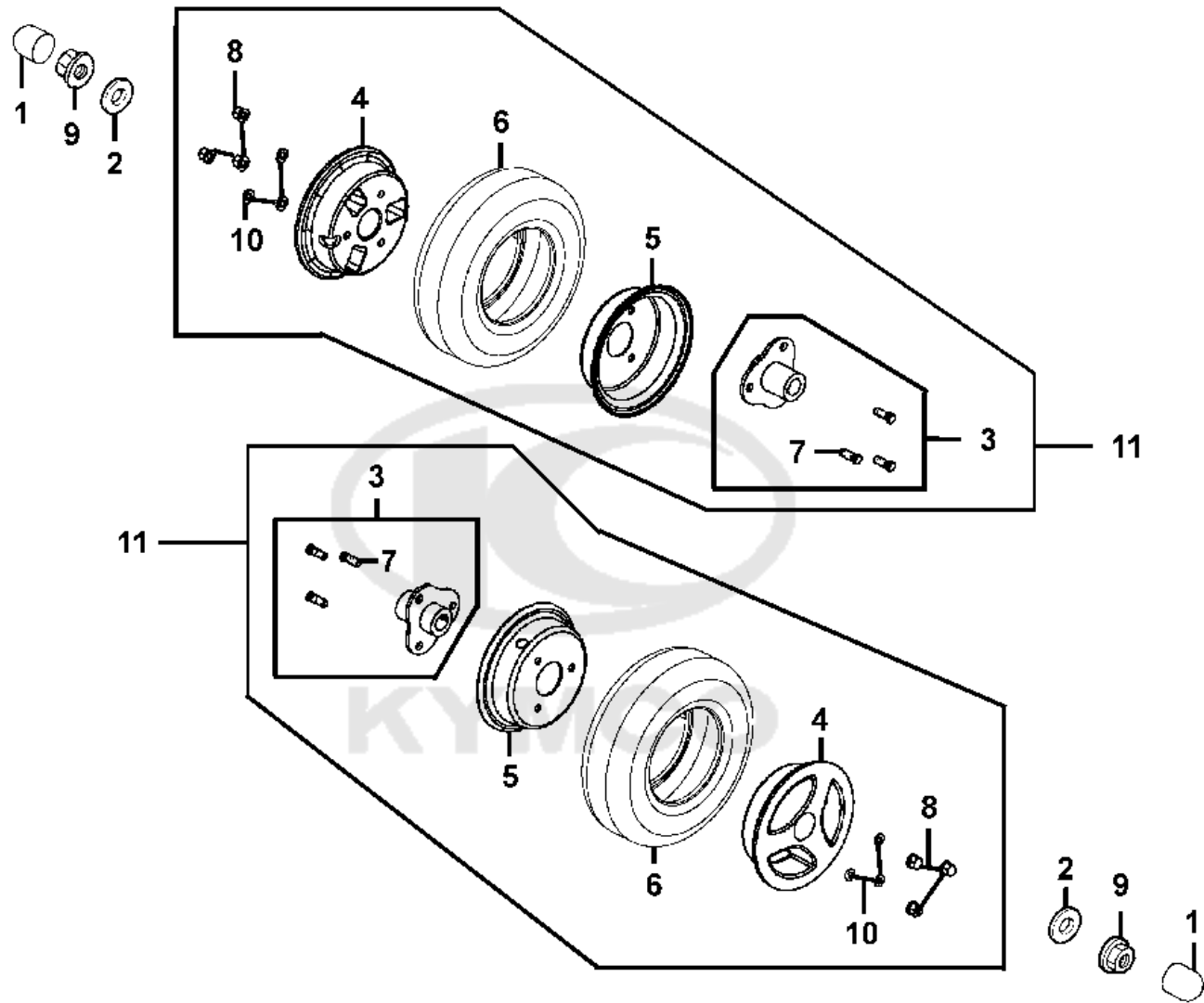
Front Wheel



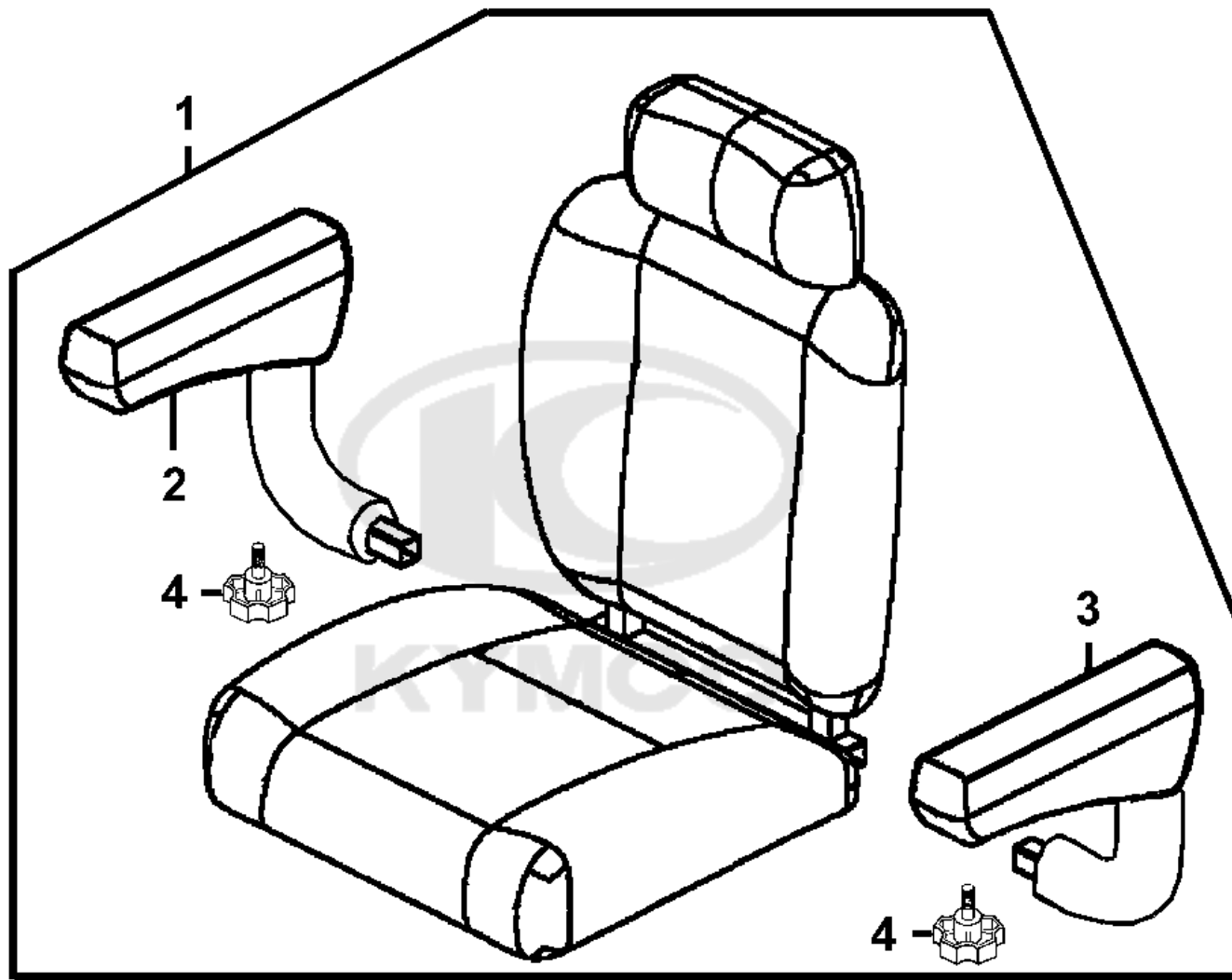
Sales mark	Ref no	Part no	Description	Reg description	Regd no	Ref Price	F04
	11	44315-LAC5-900	CAP FR AXLE **(0) C.2003.10.22	CAP FR AXLE **(0) C.2003.10.22	2	3.25	
	12	44600-LAC5-E00	WHEEL ASSY FR	WHEEL ASSY FR	2	44.00	
	6	44620-LBB7-E00	Obsolete	Obsolete	2		
	4	44650-LAC5-900	WHEEL COMP FR	WHEEL COMP FR	2	18.85	
	2	44701-LAC5-900	RIM CAST FR	RIM CAST FR	2	13.00	
	3	44702-LAC5-900	RIM COMP FR	RIM COMP FR	2	12.35	
	10	44705-LAC5-900	WASHER 12MM	WASHER 12MM	2	3.25	
	1	44710-LAC5-900	ORDER 44710-LAC5-90B	ORDER 44710-LAC5-90B	2	22.00	
	13	90304-GHE8-004	NUT U 10MM **GE8-0040 C.2005.03.01	NUT U 10MM **GE8-0040 C.2005.03.01	2	0.68	
	8	94021-08020-0S	NUT HEX CAP 8MM	NUT HEX CAP 8MM	6	3.25	
	9	94111-08800	WASHER SPRING 8MM	WASHER SPRING 8MM	6	0.33	
	7	95701-08022-00	BOLT FLANGE 8X22	BOLT FLANGE 8X22	6		
	5	96120-60020-00	BEARING RAD 6002	BEARING RAD 6002	4	4.74	

F05

Rear Wheel



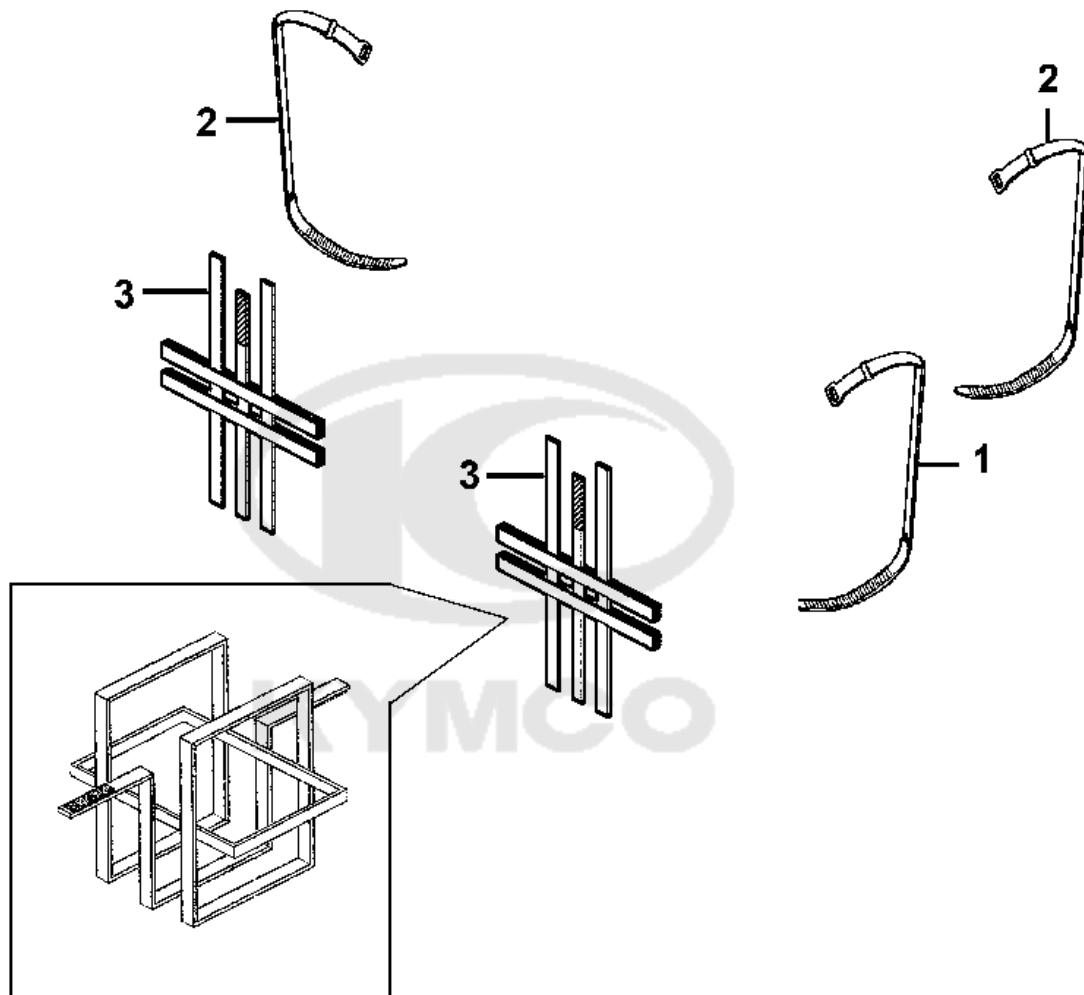
Sales mark	Ref no	Part no	Description	Reg description	Regd no	Ref Price	F05
	1	42315-LAC5-900	CAP RR AXLE **(0) C.2003.10.22	CAP RR AXLE **(0) C.2003.10.22	2	3.25	
	11	42600-LAC5-E00	WHEEL ASSY REAR	WHEEL ASSY REAR	2	38.00	
	2	42705-LAC5-900	WASHER 12MM RR WHEEL	WASHER 12MM RR WHEEL	2	3.25	
	3	4270A-LAC5-900	CONNECTOR ASSY RR	CONNECTOR ASSY RR	2	13.00	
	4	44701-LAC5-900	RIM CAST FR	RIM CAST FR	2	13.00	
	5	44702-LAC5-900	RIM COMP FR	RIM COMP FR	2	12.35	
	6	44710-LAC5-900	ORDER 44710-LAC5-90B	ORDER 44710-LAC5-90B	2	22.00	
	7	90105-LAC5-900	BOLT M8*20 **(0) C.2005.09.08	BOLT M8*20 **(0) C.2005.09.08	6	3.25	
	9	90306-GLW0-90A	NUT FLANGE 12MM **(0) C.2009.03.05	NUT FLANGE 12MM **(0) C.2009.03.05	1	0.85	
	8	94021-08020-0S	NUT HEX CAP 8MM	NUT HEX CAP 8MM	6	3.25	
	10	94111-08800	WASHER SPRING 8MM	WASHER SPRING 8MM	6	0.33	



Sales mark	Ref no	Part no	Description	Reg description	Regd no	Ref Price	F06
------------	--------	---------	-------------	-----------------	---------	-----------	-----

	2	77100-LAC5-900	R/H USE 77100-LDB4-700	R/H USE 77100-LDB4-700	1	31.20	
**	1	77200-LAC5-900	SEAT ASSY	SEAT ASSY	1	164.81	
	4	77223-LAC5-305	BOLT LOCK ARM REST	BOLT LOCK ARM REST	2	3.25	
	3	77300-LAC5-900	L/H USE 77300-LDB4-700	L/H USE 77300-LDB4-700	1	31.20	





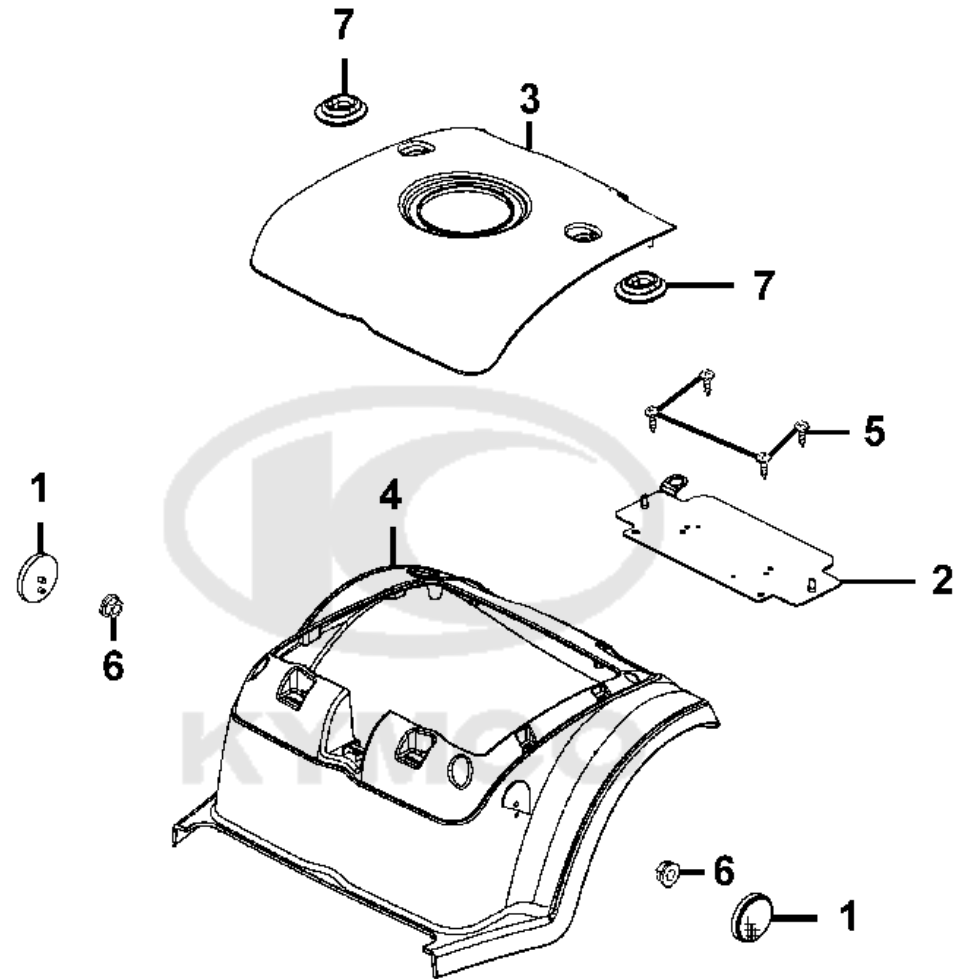
Sales mark	Ref no	Part no	Description	Reg description	Regd no	Ref Price	F07
------------	--------	---------	-------------	-----------------	---------	-----------	------------

1		31510-LAC5-900	BAND BATTERY	BAND BATTERY	1	3.25	
2		31520-LAC5-900	BAND B BATTERY	BAND B BATTERY	2	3.25	
3		50325-LDB4-900	BAG BATTERY	BAG BATTERY	2	14.00	



F08

Body Cover

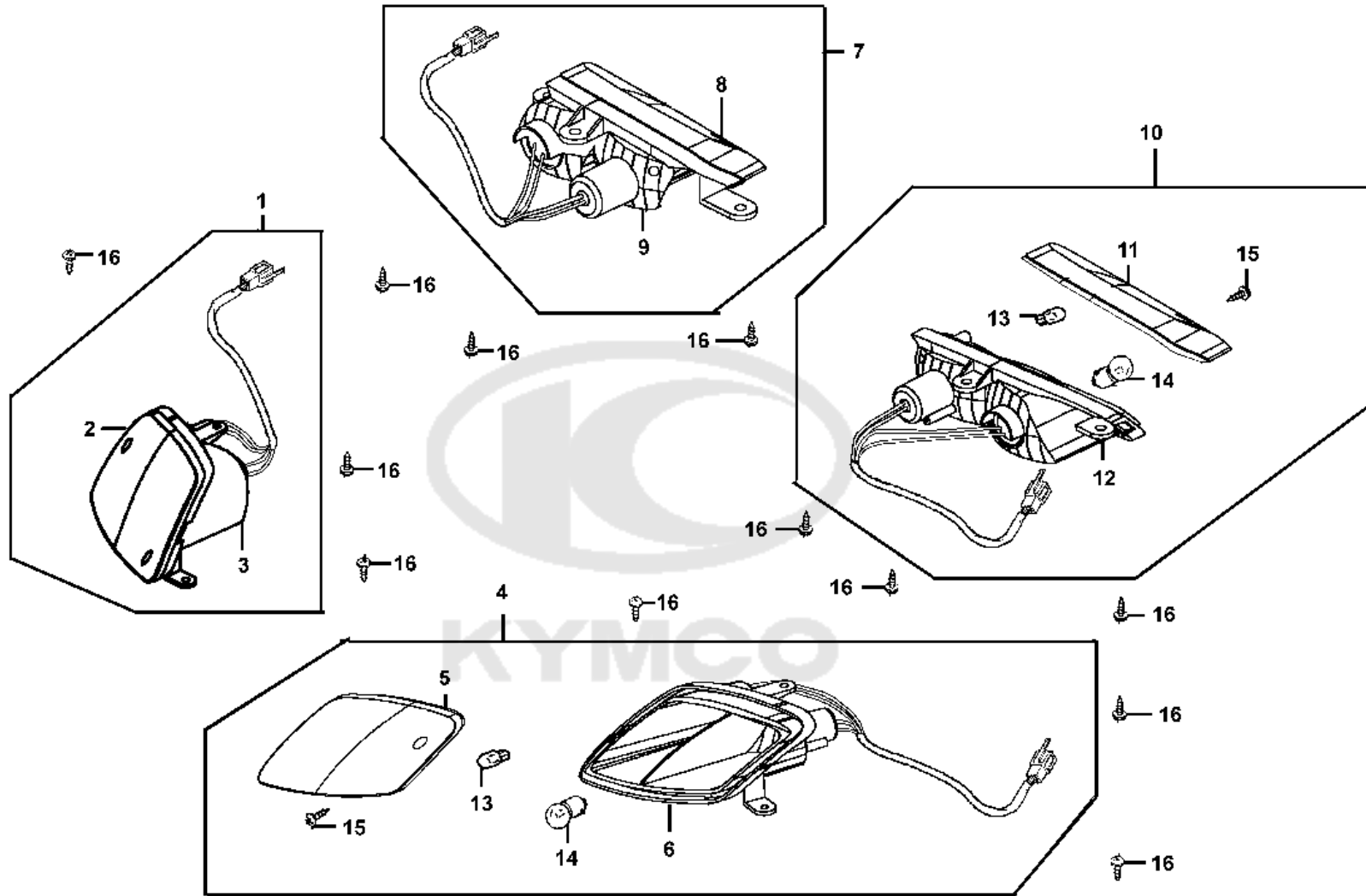


Sales mark	Ref no	Part no	Description	Reg description	Regd no	Ref Price	F08
	1	33741-GFY6-C30	REFLEX REFLECTOR ORANGE	REFLEX REFLECTOR ORANGE	2	2.08	
	2	50227-LDB4-900	STAY ECU	STAY ECU	1	9.10	
**	3	83500-LAC5-900	REAR BATTERY COVER- MIDI RANGE-	REAR BATTERY COVER- MIDI RANGE-	1	22.75	
	7	83551-KKAK-900	GROMMET AIR/C CASE **KAK-9000	GROMMET AIR/C CASE **KAK-9000	1	0.64	
**	4	83600-LAC5-900	REAR BODY PANEL- MIDI RANGE-	REAR BODY PANEL- MIDI RANGE-	1	65.00	
	5	93903-34380-G	SCREW TAPPING 4x12	SCREW TAPPING 4x12	1	3.25	
	6	94050-06080-G	NUT FLANGE 6MM	NUT FLANGE 6MM	2	0.49	



F09

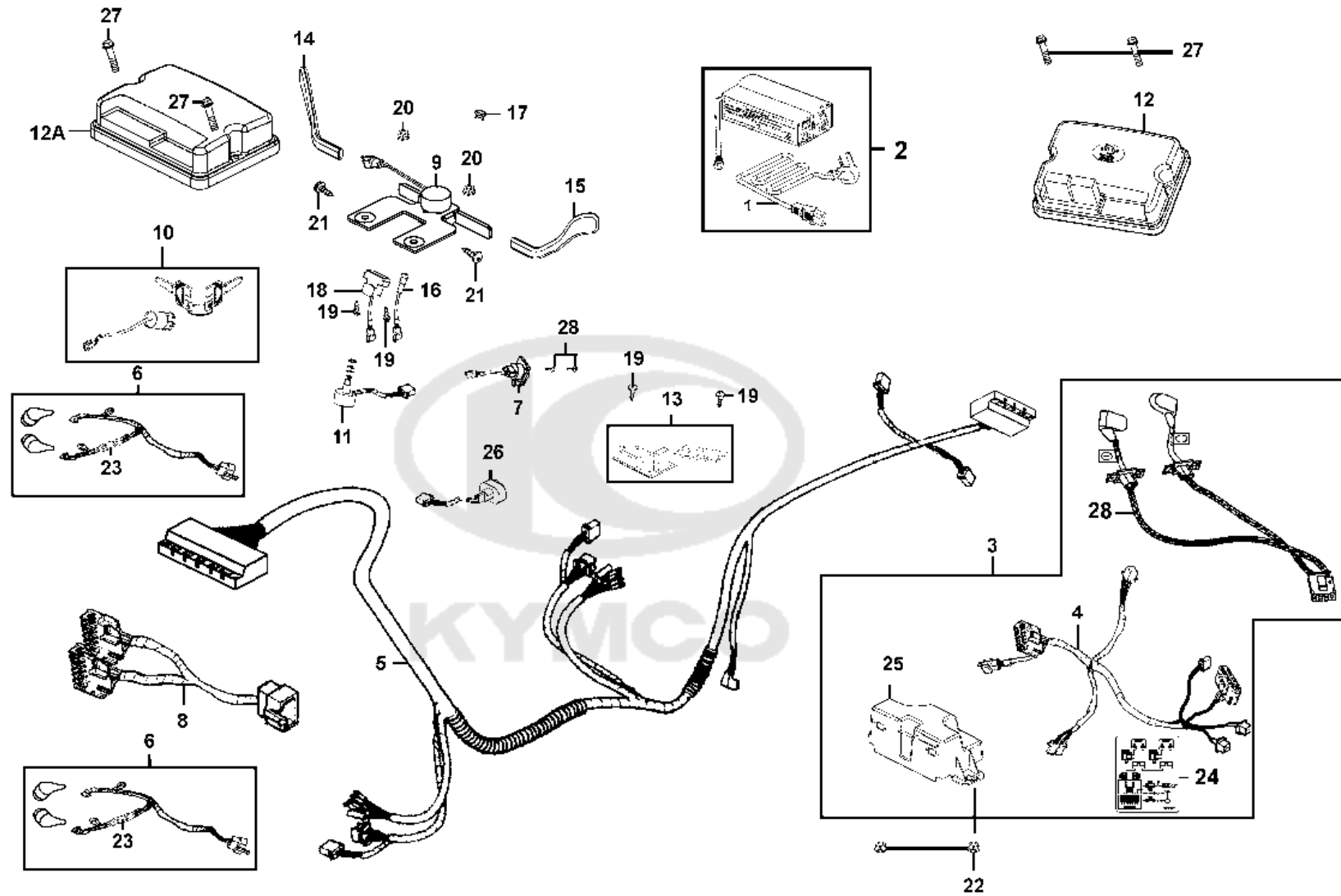
Winker



Sales mark	Ref no	Part no	Description	Reg description	Regd no	Ref Price	F09
	1	33400-LAC5-900	WINKER ASSY RH FR	WINKER ASSY RH FR	1	16.25	
	2	33401-LAC5-900	LENS COMP R FR WINKER	LENS COMP R FR WINKER	1	6.50	
	3	33404-LAC5-900	BASE COMP R FR WINKER	BASE COMP R FR WINKER	1	26.00	
	4	33450-LAC5-900	WINKER ASSY LH FR	WINKER ASSY LH FR	1	16.25	
	5	33451-LAC5-900	LENS L FR WINKER CLEAR/ORANGE	LENS L FR WINKER CLEAR/ORANGE	1	6.50	
	6	33454-LAC5-900	BASE COMP L FR WINKER	BASE COMP L FR WINKER	1	9.75	
	7	33600-LDB4-E90	WINKER ASSY RH RR	WINKER ASSY RH RR	1	16.25	
	8	33601-LAC5-900	LENS COMP R RR WINKER	LENS COMP R RR WINKER	1	6.50	
	9	33604-LAC5-900	BASE COMP R RR WINKER	BASE COMP R RR WINKER	1	9.75	
	10	33650-LDB4-E90	WINKER ASSY LH RR	WINKER ASSY LH RR	1	16.25	
	11	33651-LAC5-900	LENS COMP L RR WINKER	LENS COMP L RR WINKER	1	6.50	
	12	33654-LAC5-900	BASE COMP L RR WINKER	BASE COMP L RR WINKER	1	6.50	
	13	34903-LAC5-900	BULB POSITION	BULB POSITION	4	3.25	
	14	34905-LAC5-900	BULB WINKER 24V 10W	BULB WINKER 24V 10W	4	3.25	
	15	93901-32310	SCREW TAPPING 3*12	SCREW TAPPING 3*12	4	3.25	
	16	93903-34380-G	SCREW TAPPING 4x12	SCREW TAPPING 4x12	1	3.25	

F10

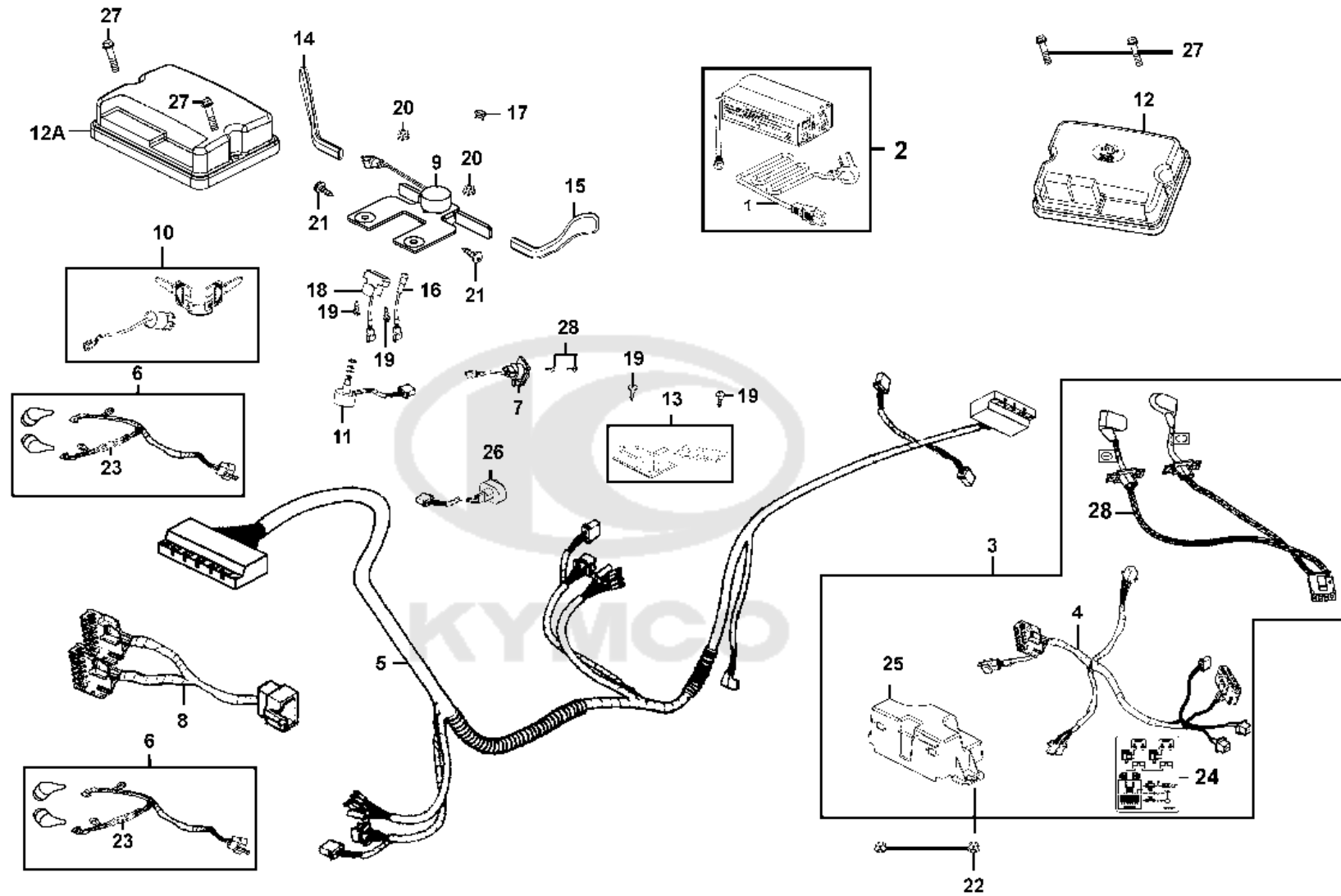
Harness Wire



Sales mark	Ref no	Part no	Description	Reg description	Regd no	Ref Price	F10
	1	31280-LAC5-E20	CORD AC POWER	CORD AC POWER	1	6.50	
	2	31800-LAC5-E21	BATTERY CHARGER ASSY	BATTERY CHARGER ASSY	1	70.00	
	5	32100-LAC5-700	HARNESS WIRE	HARNESS WIRE	1		
	5	32100-LAC5-710	HARNESS WIRE MAIN LOOM	HARNESS WIRE MAIN LOOM	1	26.00	
	4	32101-LDB4-E20	SUB HARNESS A	SUB HARNESS A	1		
	4	32101-LDB4-E21	SUB HARNESS A	SUB HARNESS A	1	19.50	
	4	32101-LDB4-E22	SUB HARNESS A	SUB HARNESS A	1	24.70	
	28	32102-LDB4-E20	CORD SET POWER	CORD SET POWER	1	29.30	
	28	32102-LDB4-E21	CORD SET POWER	CORD SET POWER	1	30.65	
	3	3210B-LDB4-E21	ASSY SUB HARNESS & POWER CORD	ASSY SUB HARNESS & POWER CORD	1	56.25	
	3	3210B-LDB4-E22	ASSY SUN HARNESS & POWER CORD	ASSY SUN HARNESS & POWER CORD	1	48.75	
	6	32201-LDB4-E21	CONNECT CORD BATTERY	CONNECT CORD BATTERY	2	18.20	
	7	32620-LAC5-900	SOCKET CHARGER	SOCKET CHARGER	1	8.45	
	8	33710-LDB4-900	USE 33710-LAC5-900	USE 33710-LAC5-900	1	16.25	
	9	34010-LAC5-900	THROTTLE	THROTTLE	1	39.00	
	10	35010-LAC5-E00	KEY SET	KEY SET	1	16.25	
	11	35115-LAC5-900	SPEED POT 20K?	SPEED POT 20K?	1	11.70	
	26	35330-LBE1-900	SW UNIT HI/LO	SW UNIT HI/LO	1	6.50	
	12	36000-LDB4-E20	ELEC CONTROL UNIT	ELEC CONTROL UNIT	1		
	12A	36000-LDB4-E22	ELEC CONTROLLER UNIT /S-Drive	ELEC CONTROLLER UNIT /S-Drive	1		

F10

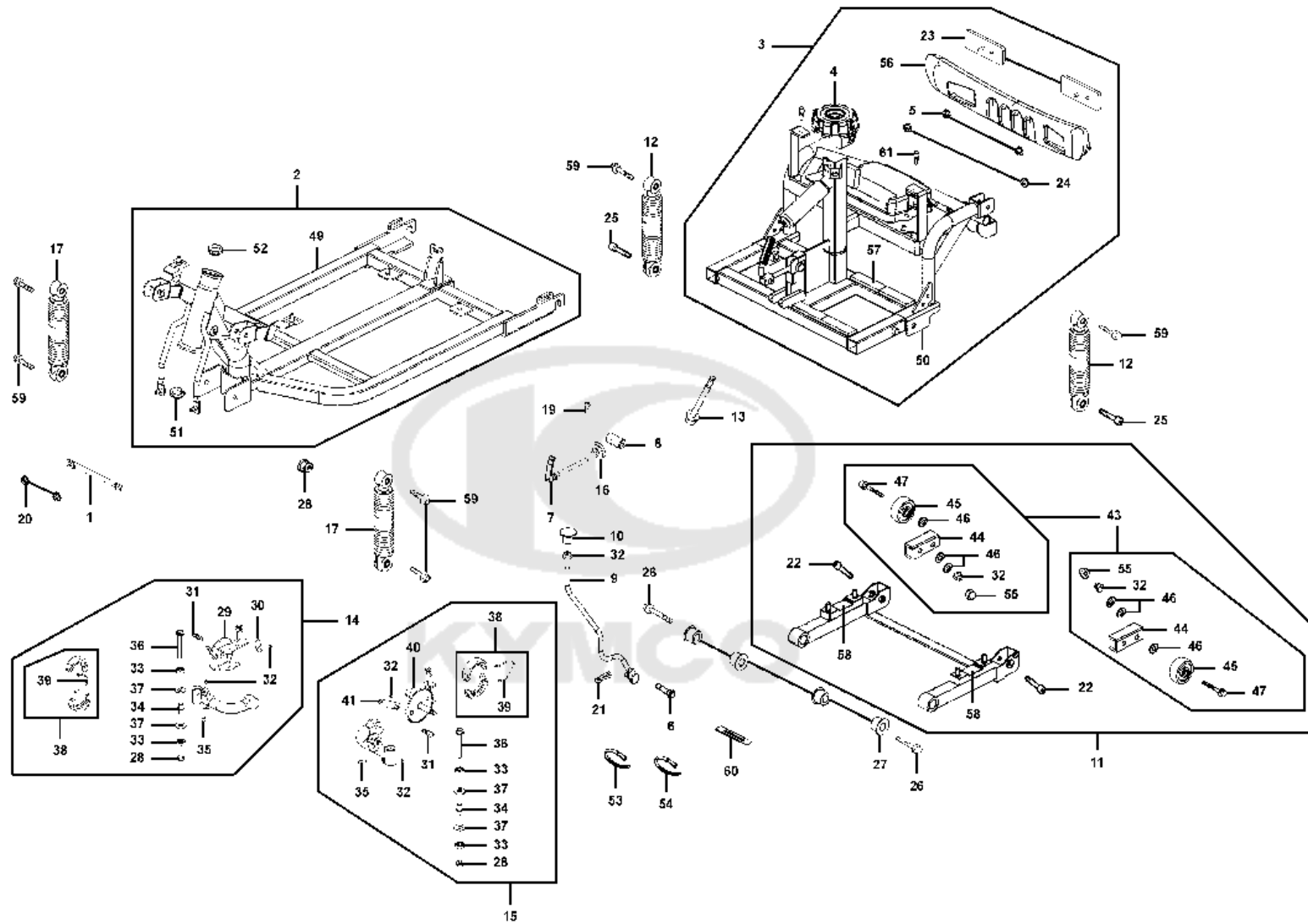
Harness Wire



Sales mark	Ref no	Part no	Description	Reg description	Regd no	Ref Price	F10
	13	36100-AAH6-E20	CONTROL METER	CONTROL METER	1	42.50	
	14	36108-LBE1-900	LEVER RH SPEED THROTTLE	LEVER RH SPEED THROTTLE	1	6.50	
	15	36109-LBE1-900	LEVER LH SPEED THROTTLE	LEVER LH SPEED THROTTLE	1	6.50	
	16	36110-LAC5-900	LED	LED	1	3.25	
	17	36120-LAC5-900	LED HOUSE	LED HOUSE	1	3.25	
	18	37806-LAC5-900	VU METER **(0) C.2005.09.08	VU METER **(0) C.2005.09.08	1	9.10	
	23	502-00111	BLADE FUSE 70A	BLADE FUSE 70A	1	3.25	
	25	80101-LDB4-900	COVER ELEC CONTROL UNIT	COVER ELEC CONTROL UNIT	1	11.70	
**	24	87508-LDB4-910	LABEL BATTERY	LABEL BATTERY	1		
	20	90301-LAC5-671	NUT FLANGE 6MM	NUT FLANGE 6MM	6	3.25	
	28	93600-02008-0A	SCREW FLAT 2.5*8	SCREW FLAT 2.5*8	2	3.25	
	27	93891-05030-08G	SCREW WASHER 5*3	SCREW WASHER 5*3	1	3.25	
	19	93901-32120	SCREW TAPPING 3*8 *(1) C.V.	SCREW TAPPING 3*8 *(1) C.V.	4	0.26	
	21	93903-34760	SCREW TAPPING 4*30	SCREW TAPPING 4*30	2	0.41	
	22	94050-06080-G	NUT FLANGE 6MM	NUT FLANGE 6MM	2	0.49	

F11

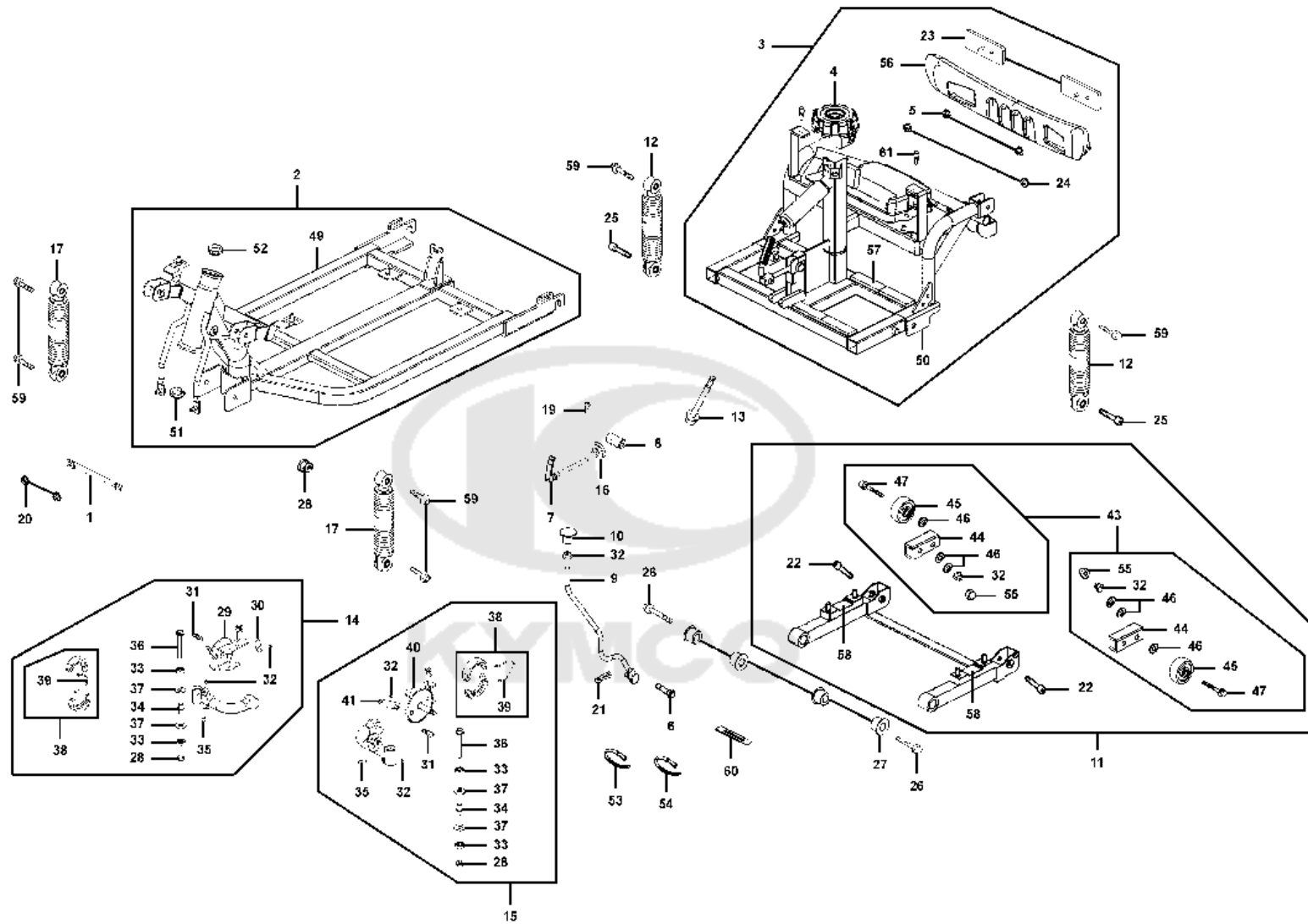
Frame Body



Sales mark	Ref no	Part no	Description	Reg description	Regd no	Ref Price	F11
	53	31510-LAC5-900	BAND BATTERY	BAND BATTERY	1	3.25	
	54	31520-LAC5-900	BAND B BATTERY	BAND B BATTERY	1	3.25	
	23	33741-KEBE-900	REFLEX REFLECTOR **KBE-9000	REFLEX REFLECTOR **KBE-9000	2	2.83	
	45	42800-LAC5-900	ANTI-TIP WHEEL	ANTI-TIP WHEEL	2	3.25	
	29	45100-LDB4-900	PANEL COMP FR R/H	PANEL COMP FR R/H	1	13.00	
	38	4512A-LAC5-900	Brake shoe	Brake shoe	2	6.04	
	39	45133-LAC5-900	SPG BRAKE SHOE **(0) C.2005.07.13	SPG BRAKE SHOE **(0) C.2005.07.13	2	0.81	
	31	45141-LAC5-900	CAM FR BRK R/H	CAM FR BRK R/H	2	13.00	
	30	45410-LAC5-900	ARM FR BRK R/H	ARM FR BRK R/H	1	13.00	
	40	46100-LDB4-900	PANEL COMP FR L/H	PANEL COMP FR L/H	1	13.00	
	41	46410-LAC5-900	ARM FR BRAKE L/H	ARM FR BRAKE L/H	1	9.75	
	34	47403-LBB7-E00	COLLAR STRG SHAFT	COLLAR STRG SHAFT	2	3.25	
	49	50110-LDB4-900	BODY COMP FRONT FRAME	BODY COMP FRONT FRAME	1		
	1	50118-LDB4-900	BAR FR BUMPER	BAR FR BUMPER	1	5.20	
	2	5011A-LDB4-E20	FRONT FRAME ASSY	FRONT FRAME ASSY	1	70.00	
	50	50120-LDB4-900	BODY COMP REAR FRAME	BODY COMP REAR FRAME	1	91.00	
	3	5012A-LDB4-900	REAR FRAME ASSY	REAR FRAME ASSY	1	91.00	
	4	50135-LDB4-900	PIPE B SEAT SET	PIPE B SEAT SET	1	18.20	
	4	50135-LDB4-920	ALT 50135-LDB4-900	ALT 50135-LDB4-900	1	18.20	
	57	50222-LAC5-900	RUBBER BATTERY SET	RUBBER BATTERY SET	8	3.25	

F11

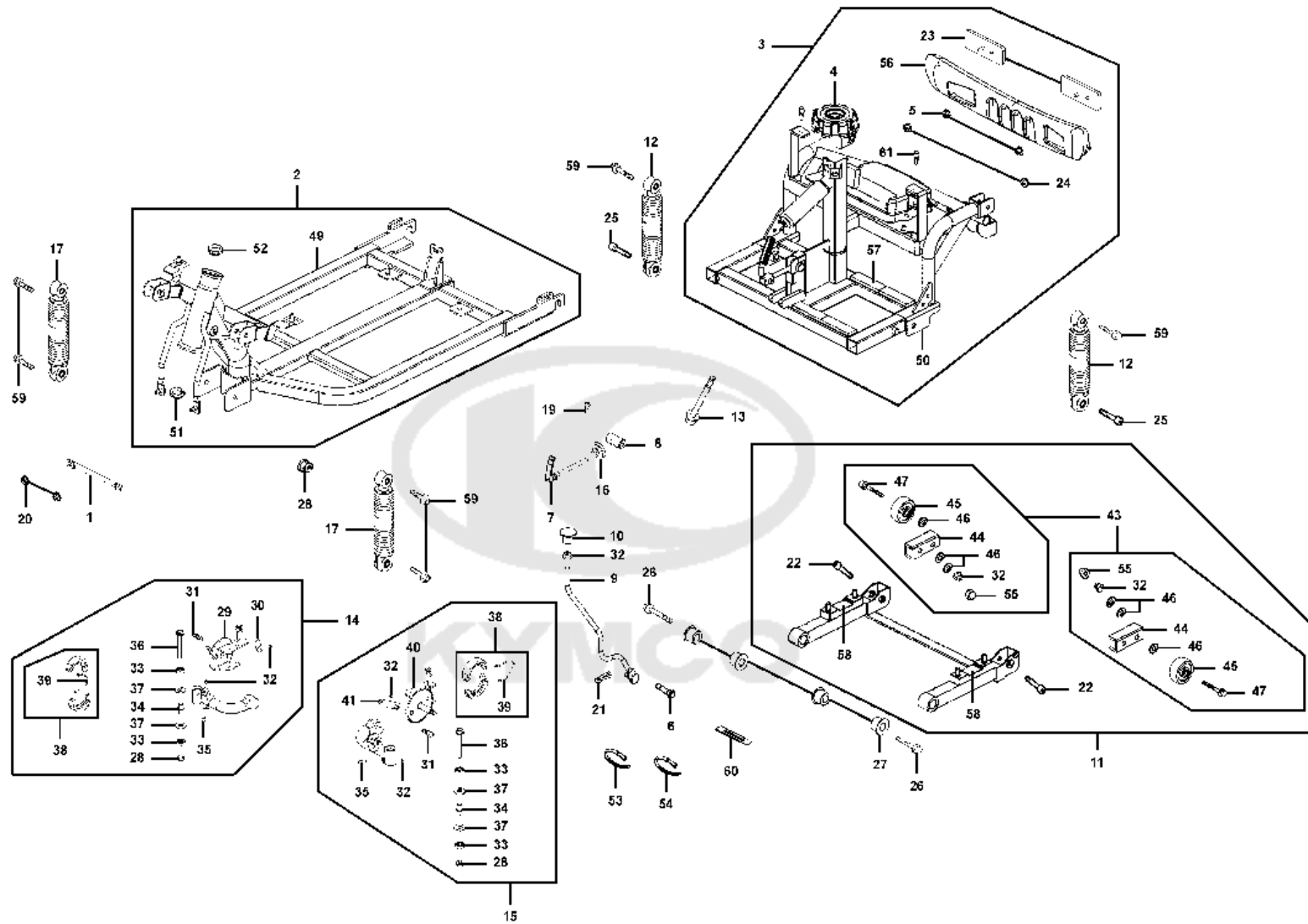
Frame Body



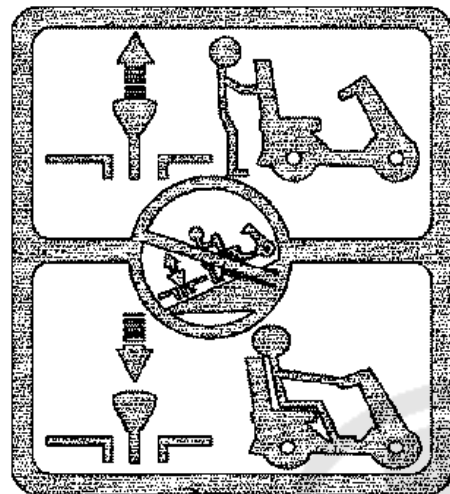
Sales mark	Ref no	Part no	Description	Reg description	Regd no	Ref Price	F11
	44	50231-LDB4-900	BRKT RH ANTI-TIP WHEEL	BRKT RH ANTI-TIP WHEEL	2	7.80	
	6	50234-LBE1-900	SHAFT BRAKE LEAVE **(0)	SHAFT BRAKE LEAVE **(0) C.2005.09.21	1	5.85	
	43	5023A-LDB4-900	ANTI-TIP WHEEL RH	ANTI-TIP WHEEL RH	2	9.10	
	52	50301-LDB4-001	RACE UP STRG BALL	RACE UP STRG BALL	1	3.25	
	7	50302-LDB4-900	SHAFT SET LOCK	SHAFT SET LOCK	1	3.25	
	8	50304-LDB4-900	COLLAR FRAME LOCK	COLLAR FRAME LOCK	1	3.25	
	58	50305-LAC5-900	RUBBER MOTOR	RUBBER MOTOR	2	4.55	
	51	50305-LDB4-004	RACE UNDER STRG BALL	RACE UNDER STRG BALL	1	3.25	
	9	50308-LDB4-900	BAR BRAKE LEAVE	BAR BRAKE LEAVE	1	3.25	
	10	50309-LAC5-900	BRAKE LEAVE KNOB	BRAKE LEAVE KNOB	1	3.25	
	61	50310-LAC5-900	BOLT LOCK PIN	BOLT LOCK PIN	2	3.25	
	17	51400-LDB4-900	CUSHION ASSY FR	CUSHION ASSY FR	2	27.30	
	11	5211A-ACF5-E20	REAR FORK ASSY	REAR FORK ASSY	1	55.25	
	12	52400-LDB4-900	CUSHION ASSY RR	CUSHION ASSY RR	2	27.30	
	25	52422-LDB4-900	SOCKET BOLT 8X42	SOCKET BOLT 8X42	2	27.30	
	27	53101-LDB4-900	COLLAR REAR FORK	COLLAR REAR FORK	4	3.25	
	37	53402-LBB7-E00	WASHER	WASHER	4	3.25	
	13	53407-LDB4-900	BOLT FLANGE 10X100	BOLT FLANGE 10X100	1	3.25	
	14	5340A-LDB4-900	ARM SET RH SWING	ARM SET RH SWING	1	53.77	
	15	5350A-LDB4-900	ARM SET LH SWING	ARM SET LH SWING	1	53.77	

F11

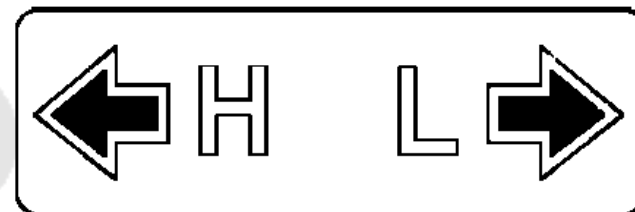
Frame Body



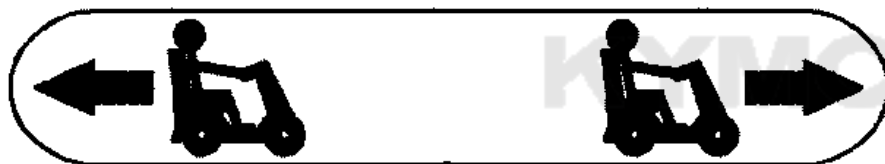
Sales mark	Ref no	Part no	Description	Reg description	Regd no	Ref Price	F11
	16	83551-KED9-900	GROMMET COVER **(0) C.2005.09.21	GROMMET COVER **(0) C.2005.09.21	1	0.23	
**	56	83751-LAC5-900	BUMPER RR	BUMPER RR	1	19.50	
	28	90304-GHE8-004	NUT U 10MM **GE8-0040 C.2005.03.01	NUT U 10MM **GE8-0040 C.2005.03.01	3	0.68	
	35	92101-06020-0G	BOLT HEX 6X20	BOLT HEX 6X20	2	0.23	
	19	93500-04010-0F	SCREW PAN 4X10(G)	SCREW PAN 4X10(G)	1	0.64	
	32	94001-06080-0SG	NUT HEX 6MM	NUT HEX 6MM	1	3.25	
	55	94021-06060-0SG	NUT HEX CAP 6MM	NUT HEX CAP 6MM	2	3.25	
	24	94050-05080-G	NUT FLANGE 5MM(Cr3+) ALT 94050-	NUT FLANGE 5MM(Cr3+) ALT 94050-05080	2		
	5	94050-06080-G	NUT FLANGE 6MM	NUT FLANGE 6MM	2	0.49	
	20	94050-08080-G	NUT FLANGE 8MM (C)	NUT FLANGE 8MM (C)	2	0.49	
	46	94101-06800-G	WASHER PLAN 6MM	WASHER PLAN 6MM	6	0.12	
	21	94251-08400	PIN LOCK 8MM	PIN LOCK 8MM	1	0.68	
	60	94591-27000	CLIP 2*70	CLIP 2*70	1	0.41	
	47	95801-06055-08G	BOLT FLANGE 6*55	BOLT FLANGE 6*55	1	3.25	
	59	95801-08035-08G	BOLT FLANGE 8*35	BOLT FLANGE 8*35	6	3.25	
	26	95801-10045-08G	BOLT FLANGE 10*45 (C)	BOLT FLANGE 10*45 (C)	1	1.22	
	36	95801-10080-06	BOLT FLANGE 10X80	BOLT FLANGE 10X80	2	3.25	
	33	96130-60000-00	BEARING 6000Z	BEARING 6000Z	4	3.25	
	22	96700-08030-08G	SOCKET BOLT 8X30	SOCKET BOLT 8X30	2		



1



3

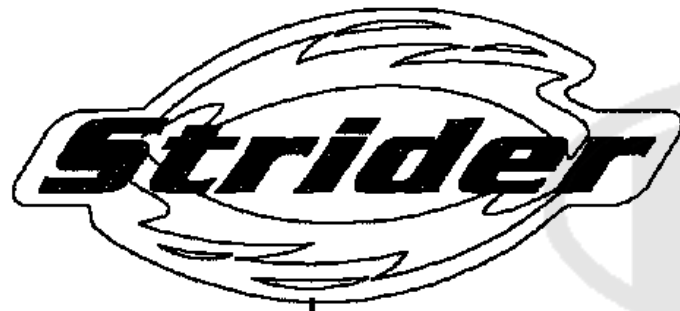


2

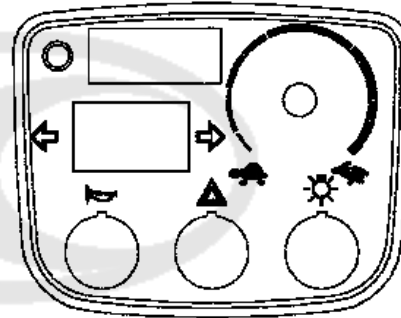
Sales mark	Ref no	Part no	Description	Reg description	Regd no	Ref Price	F12
------------	--------	---------	-------------	-----------------	---------	-----------	-----

**	1	87501-LAC5-900	USE CAUTION NEW BLACK	USE CAUTION NEW BLACK	1	3.25	
**	2	87560-LAC5-900	MARK DRIVE CAUTION	MARK DRIVE CAUTION	1	3.25	
**	3	87562-LBE1-E00	LABLE SPEED SW	LABLE SPEED SW	1	3.25	





1



3



2

KYMCÖ

Sales mark	Ref no	Part no	Description	Reg description	Regd no	Ref Price	F13
------------	--------	---------	-------------	-----------------	---------	-----------	------------

**	1	86020-LAC5-E20	EMB DMA STRIDER	EMB DMA STRIDER	1		
**	3	86444-LAC5-900	EMB METER	EMB METER	1	6.50	



PART NO. INDEX

PART NO.	VERSION	PAGE	PART NO.	VERSION	PAGE	PART NO.	VERSION	PAGE
11000			32000			33650-LDB4-E90	2	F09
1110A-LDB4-E20	8	E01	32100-LAC5-700	2	F10	33651-LAC5-900	3	F09
11302-LAC5-900	0	E01	32100-LAC5-710	5	F10	33654-LAC5-900	2	F09
			32101-LDB4-E20	0	F10	33710-LDB4-900	2	F10
13000			32101-LDB4-E21	1	F10	33741-GFY6-C30	1	F08
			32101-LDB4-E22	3	F10	33741-KEBE-900	3	F11
13331-LAC5-900	0	E01	32102-LDB4-E20	1	F10	34000		
			32102-LDB4-E21	3	F10	34010-LAC5-900	7	F10
31000			3210B-LDB4-E21	1	F10	34903-LAC5-900	1	F09
			3210B-LDB4-E22	3	F10	34905-LAC5-900	1	F09
31280-LAC5-E20	2	F10	32201-LDB4-E21	2	F10	35000		
31300-LDB4-E20	2	E01	32620-LAC5-900	5	F10	35010-LAC5-E00	2	F10
31300-LDB4-E21	5	E01				35110-LAC5-900	5	F01
31340-LAC5-900	0	E01	33000			35115-LAC5-900	1	F10
31345-LAC5-305	0	E01	33400-LAC5-900	6	F09	35150-LAC5-900	4	F01
31347-LAC5-305	0	E01	33401-LAC5-900	1	F09	35180-LAC5-900	4	F01
31350-LAC5-900	0	E01	33404-LAC5-900	2	F09	35190-LAC5-900	7	F01
31350-LDB4-E20	0	E01	33450-LAC5-900	6	F09	35200-LAC5-900	3	F01
31510-LAC5-900	4	F07	33451-LAC5-900	1	F09	35330-LBE1-900	1	F10
31510-LAC5-900	4	F11	33454-LAC5-900	2	F09			
31520-LAC5-900	3	F07	33600-LDB4-E90	2	F09			
31520-LAC5-900	3	F11	33601-LAC5-900	3	F09			
31800-LAC5-E21	4	F10	33604-LAC5-900	2	F09			

PART NO. INDEX

PART NO.	VERSION	PAGE	PART NO.	VERSION	PAGE	PART NO.	VERSION	PAGE
36000			44600-LAC5-E00	9	F04			
			44620-LBB7-E00	1	F04	47000		
			44650-LAC5-900	7	F04			
36000-LDB4-E20	0	F10	44701-LAC5-900	5	F04	47403-LBB7-E00	5	F11
36000-LDB4-E22	0	F10	44701-LAC5-900	5	F05			
36100-AAH6-E20	4	F10	44702-LAC5-900	4	F04	50000		
36108-LBE1-900	2	F10	44702-LAC5-900	4	F05			
36109-LBE1-900	2	F10	44705-LAC5-900	7	F04	50110-LDB4-900	4	F11
36110-LAC5-900	3	F10	44710-LAC5-900	4	F04	50118-LDB4-900	3	F11
36120-LAC5-900	2	F10	44710-LAC5-900	4	F05	5011A-LDB4-E20	4	F11
			45000			50120-LDB4-900	9	F11
37000						5012A-LDB4-900	9	F11
37806-LAC5-900	4	F10	45100-LDB4-900	7	F11	50135-LDB4-900	4	F11
			4512A-LAC5-900	2	F11	50135-LDB4-920	1	F11
42000			45133-LAC5-900	1	F11	50150-LAC5-900	4	F01
			45141-LAC5-900	2	F11	50160-LAC5-900	7	F01
42315-LAC5-900	3	F05	45410-LAC5-900	2	F11	50222-LAC5-900	3	F11
42600-LAC5-E00	8	F05	45450-LAC5-700	1	F01	50227-LDB4-900	7	F08
42705-LAC5-900	5	F05				50231-LDB4-900	5	F11
4270A-LAC5-900	6	F05	46000			50234-LBE1-900	3	F11
42800-LAC5-900	6	F11				5023A-LDB4-900	7	F11
			46100-LDB4-900	7	F11	50301-LDB4-001	1	F11
44000			46410-LAC5-900	2	F11	50302-LDB4-900	2	F11
						50304-LDB4-900	2	F11
44315-LAC5-900	3	F04				50305-LAC5-900	2	F11
						50305-LDB4-004	1	F11

PART NO. INDEX

PART NO.	VERSION	PAGE	PART NO.	VERSION	PAGE	PART NO.	VERSION	PAGE
50306-1F96-001	0	F03	53190-LAC5-90A	9	F01	64311-LAC5-900	3	F02
50308-LDB4-900	3	F11	53191-LAC5-900	2	F01	64316-LAC5-900	2	F02
50309-LAC5-900	3	F11	53196-LAC5-900	4	F01	64320-LAC5-900	2	F02
50310-LAC5-900	4	F11	53200-LDB4-900	4	F03	64330-LAC5-900	4	F02
50325-LDB4-900	1	F07	53205-LAC5-900	5	F01			
50350-LDB4-900	2	E01	53206-LBE1-900	1	F01	77000		
51000			53207-LAC5-900	8	F01			
			53209-LAC5-900	8	F01	77100-LAC5-900	3	F06
			53211-GFY6-940	1	F03	77200-LAC5-900	6	F06
51400-LDB4-900	3	F11	53212-LDB4-004	1	F03	77223-LAC5-305	2	F06
52000			53402-LBB7-E00	5	F11	77300-LAC5-900	3	F06
			53406-LAC5-900	2	F01			
			53407-LDB4-900	4	F11	80000		
5211A-ACF5-E20	1	F11	5340A-LDB4-900	9	F11			
52400-LDB4-900	3	F11	5350A-LDB4-900	9	F11	80101-LDB4-900	5	F10
52422-LDB4-900	3	F11	53700-LAC5-700	4	F03			
53000			53701-LAC5-700	4	F03	83000		
			53702-LAC5-900	6	F03			
			53703-LAC5-900	6	F03	83500-LAC5-900	5	F08
53100-LAC5-900	11	F01	53800-LAC5-700	4	F03	83551-KED9-900	2	F11
53101-LDB4-900	2	F11	53801-LAC5-700	4	F03	83551-KKAK-900	0	F08
53104-LAC5-900	9	F01	64000			83600-LAC5-900	7	F08
53125-LAC5-900	6	F01				83751-LAC5-900	1	F11
53166-LAC5-911	1	F01						
5317B-LAC5-900	2	F01	64302-LAC5-900	5	F02			
5317B-LBE1-E70	2	F01	64310-LAC5-900	5	F02			

PART NO. INDEX

PART NO.	VERSION	PAGE	PART NO.	VERSION	PAGE	PART NO.	VERSION	PAGE	
86000			90301-LAC5-671	1	F10	93903-34380-G	0	F02	
			90302-GFY6-911	1	F01	93903-34380-G	0	F08	
			90302-KEC8-910	1	F01	93903-34380-G	0	F09	
86020-LAC5-E20	1	F13	90302-LAC5-004	1	F01	93903-34760	0	F10	
86102-LAC5-E21	1	F13	90302-LAC5-004	1	F02	93903-GFY6-910	1	F01	
86444-LAC5-900	9	F13	90304-GHE8-004	0	F04	94000			
87000			90304-GHE8-004	0	F11				
			90306-GLW0-90A	1	F05				
			90309-GLW0-90A	1	F01		94001-06080-0SG	0	F11
87501-LAC5-900	7	F12	90309-GLW0-90A	1	F03		94001-08080-0S	0	F03
87508-LDB4-910	1	F10	92000			94001-LAC5-900	2	F03	
87560-LAC5-900	4	F12				94021-06060-0SG	0	F11	
87562-LBE1-E00	3	F12				94021-08020-0S	0	F04	
88000			92101-06020-0G	0	F11	94021-08020-0S	0	F05	
			93000			94050-05080-G	1	F01	
						94050-05080-G	1	F11	
88120-LAC5-910	4	F01			94050-06080-G	1	F08		
88130-LAC5-900	2	F01	93500-04010-0F	0	F01	94050-06080-G	1	F10	
90000			93500-04010-0F	0	F11	94050-06080-G	1	F11	
			93600-02008-0A	0	F10	94050-08080-G	1	E01	
			93891-04012-06	0	E01	94050-08080-G	1	F01	
90023-LAC5-001	1	F02	93891-05030-08G	0	F10	94050-08080-G	1	F11	
90105-LAC5-900	4	F05	93901-32120	1	F10	94101-06800-G	1	F11	
90301-4C73-004	0	F01	93901-32310	0	F09	94111-08800	0	F03	
90301-LAC5-001	1	F02	93903-14380-G	0	F02	94111-08800	0	F04	
90301-LAC5-671	1	F02	93903-34380-G	0	F01	94111-08800	0	F05	

PART NO. INDEX

PART NO.	VERSION	PAGE	PART NO.	VERSION	PAGE	PART NO.	VERSION	PAGE
94251-08400	0	F11						
94510-19000	0	E01						
94591-27000	0	F11						
95000								
95701-08022-00	0	F04						
95801-06055-08G	0	F11						
95801-08035-06	1	F01						
95801-08035-08G	0	F11						
95801-08045-08G	0	F01						
95801-10045-08G	0	F11						
95801-10080-06	0	F11						
96000								
96120-60020-00	0	F04						
96130-60000-00	0	F11						
96211-05000	26	F03						
96600-06060-08G	1	E01						
96700-08030-08G	0	F11						
502000								
502-00111	0	F10						