

# PARTS CATALOGUE



## MOBILITY SCOOTER

EV10DH(UK)

Strider-days



Release Date : 1899/12/31  
Print Date : 2019/11/04

## ABOUT THIS PARTS LIST

- This parts list is compiled all service parts for model EV10DH(UK).
- Any difference between color chart and motorcycle will be revised according to motorcycle.
- The Mark:
  1. Marking "\*\*\*" must add color code in the end before ordering parts.
  2. Marking "#" are parts with modification, Please find the details from e-Parts system.
- When modification or additions to this parts list are made a revised edition at an appropriate time.



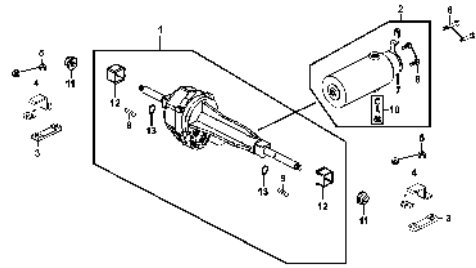
# CONTENTS

● ABOUT THIS PARTS LIST .....	1
● COLOR CHART OF EV10DH(UK) .....	3
● CONTENTS-ENGINE GROUP .....	4
● CONTENTS-FRAME GROUP .....	5
● ENGINE PARTS LIST .....	7
● FRAME PARTS LIST .....	9
● PART NO. INDEX .....	41



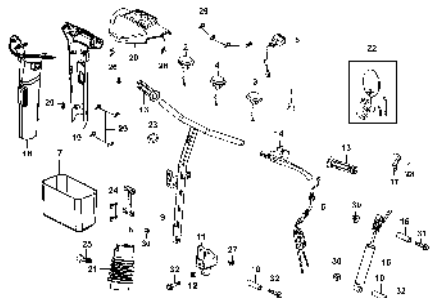
## CONTENTS - ENGINE GROUP

**E01** MOTOR ASSY

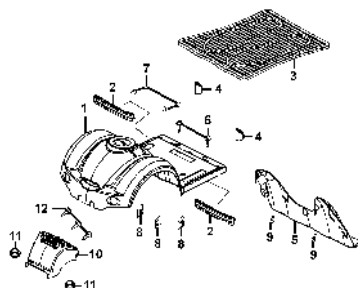


## CONTENTS - FRAME GROUP

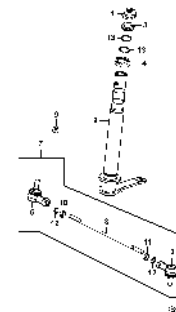
**F01** Handle Steering



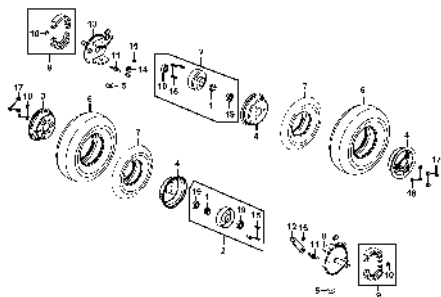
**F02** Floor Panel



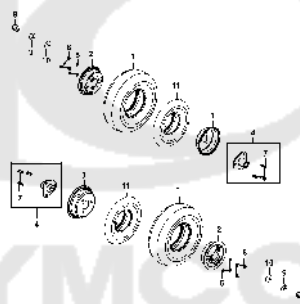
**F03** Stem Steering



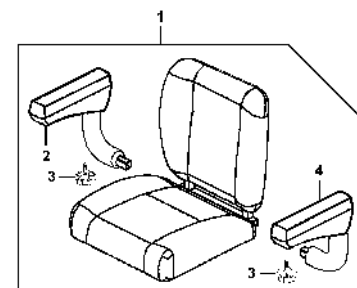
**F04** Front Wheel



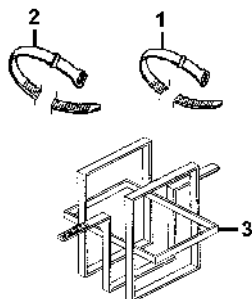
**F05** Rear Wheel



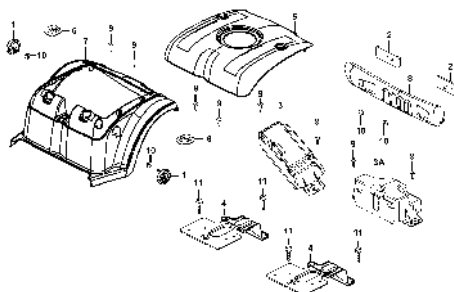
**F06** Seat



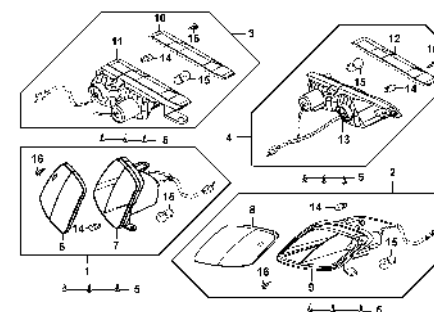
**F07** Battery



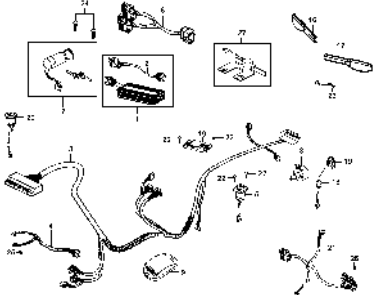
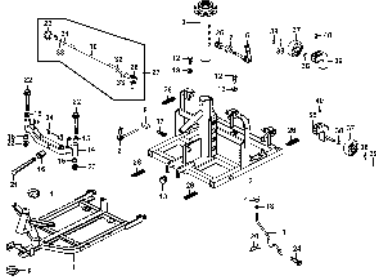
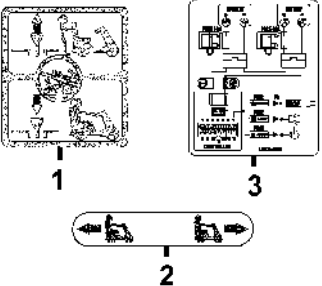

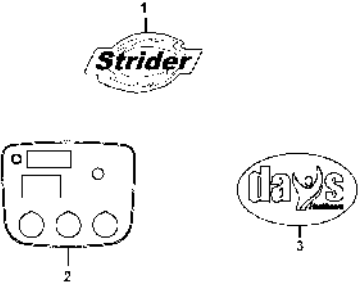
**F08** Body Cover



**F09** Winker

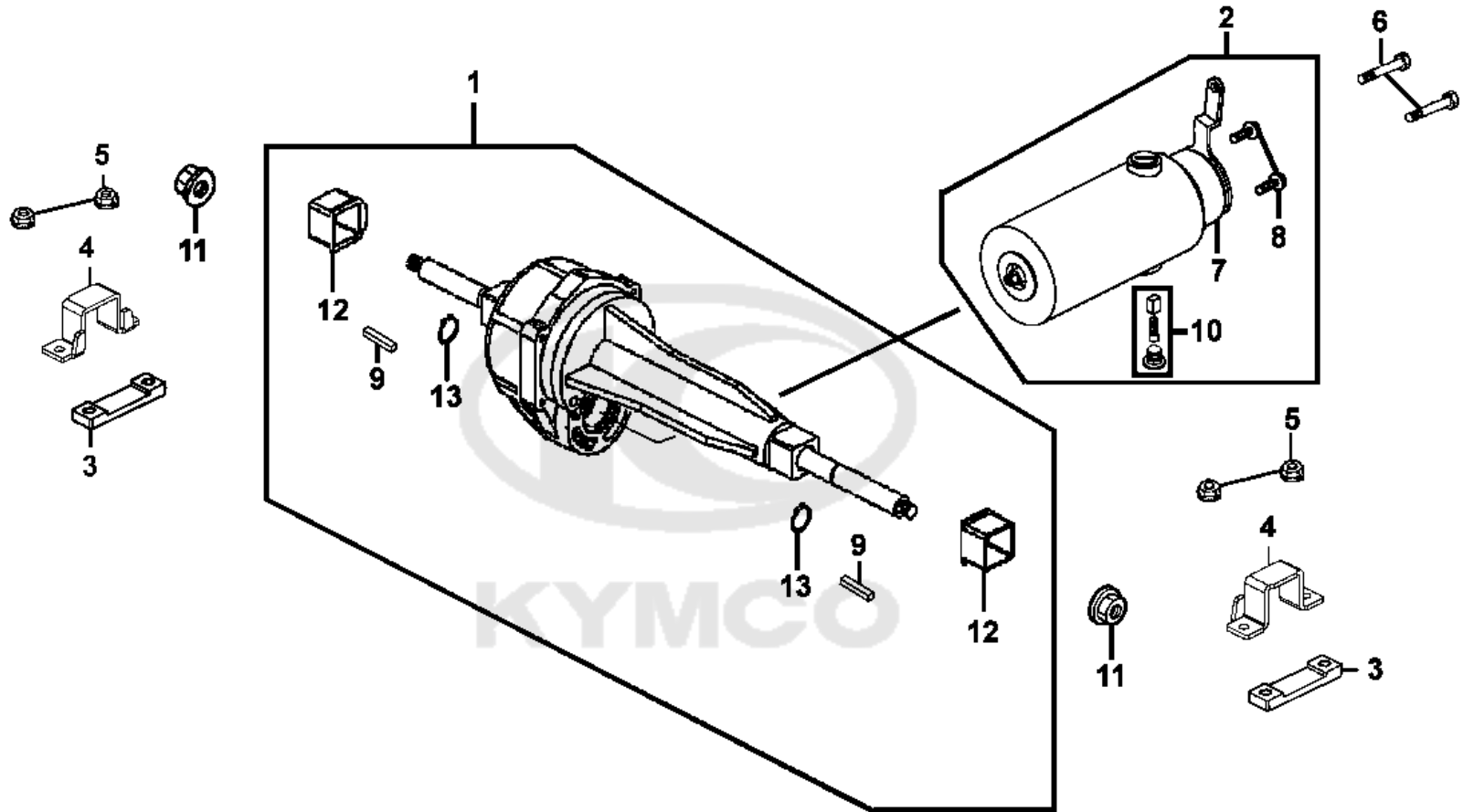


**CONTENTS - FRAME GROUP**

<p><b>F10</b>    Harness Wire</p>	<p><b>F11</b>    Frame Body</p>	<p><b>F12</b>    Caution Label</p>
		
<p><b>F13</b>    Emblem Stripe</p>		
		

E01

MOTOR ASSY

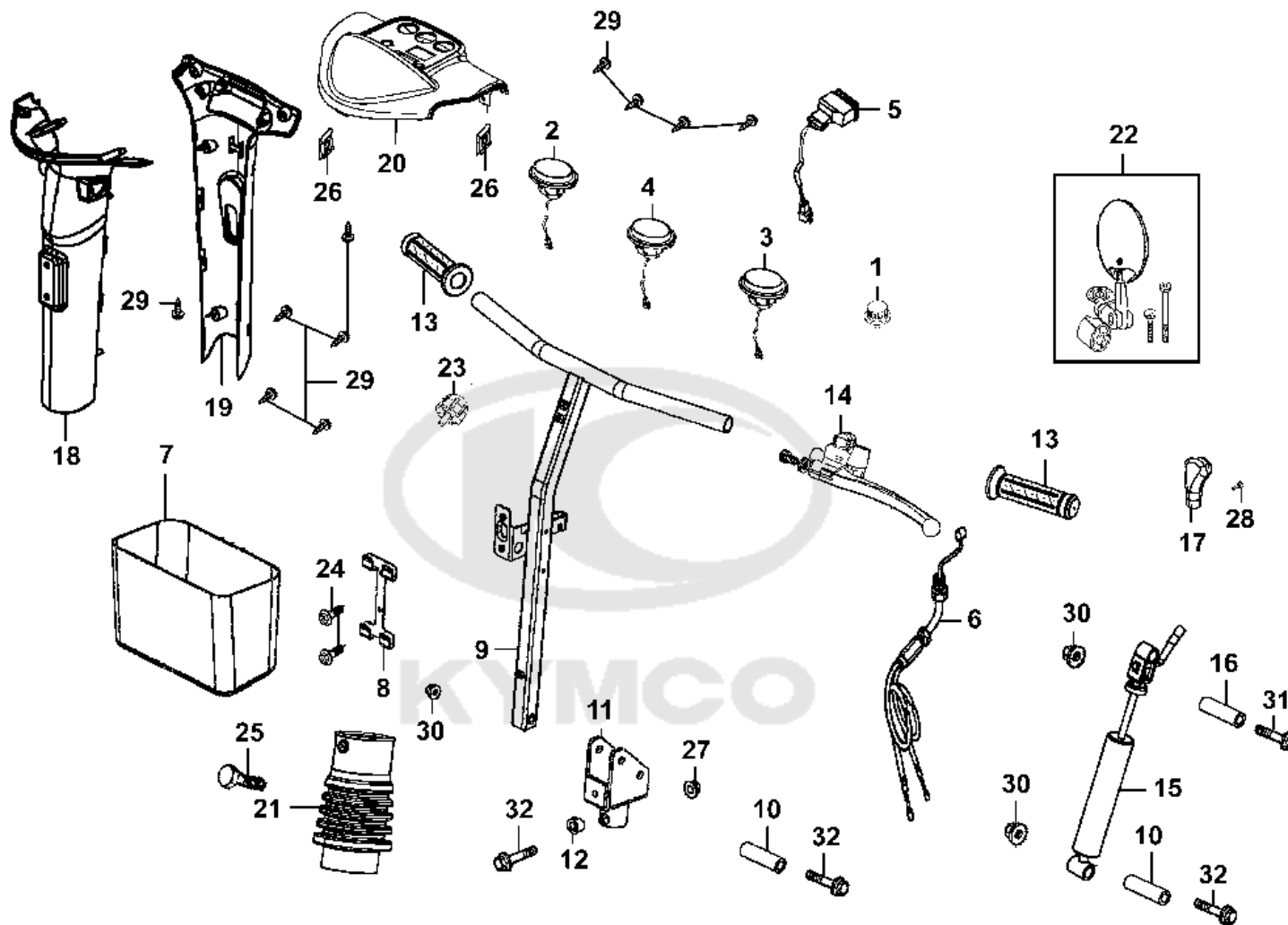




Sales mark	Ref no	Part no	Description	Reg description	Regd no	Ref Price	E01
	1	1110A-LAC5-900	Obsolete	Obsolete	1		
	12	11302-LAC5-900	RUBBER	RUBBER	2	6.50	
	9	13331-LAC5-900	KEY 4.8*4.8*30	KEY 4.8*4.8*30	2	3.25	
	2	31300-LAC5-M30	Obsolete	Obsolete	1		
	10	31340-LAC5-900	BRUSH ASSY	BRUSH ASSY	2	7.00	
	7	31350-LAC5-900	BRAKE ASSY	BRAKE ASSY	1	52.00	
	3	50305-LAE9-E00	RUBBER MOTOR	RUBBER MOTOR	2	4.55	
	4	50350-LDB4-900	CONNECTOR MISSION	CONNECTOR MISSION	1	5.20	
	11	90306-GLW0-90A	NUT FLANGE 12MM **(0) C.2009.03.05	NUT FLANGE 12MM **(0) C.2009.03.05	1	0.85	
	8	93891-04012-06	SCREW WASHER 4*12	SCREW WASHER 4*12	1	0.13	
	5	94050-08080-G	NUT FLANGE 8MM (C)	NUT FLANGE 8MM (C)	4	0.49	
	13	94510-19000	CIRCLIP EX 1.9	CIRCLIP EX 1.9	2	2.12	
	6	96600-06060-07	SOCKET BOLT 6*60	SOCKET BOLT 6*60	2	3.25	

F01

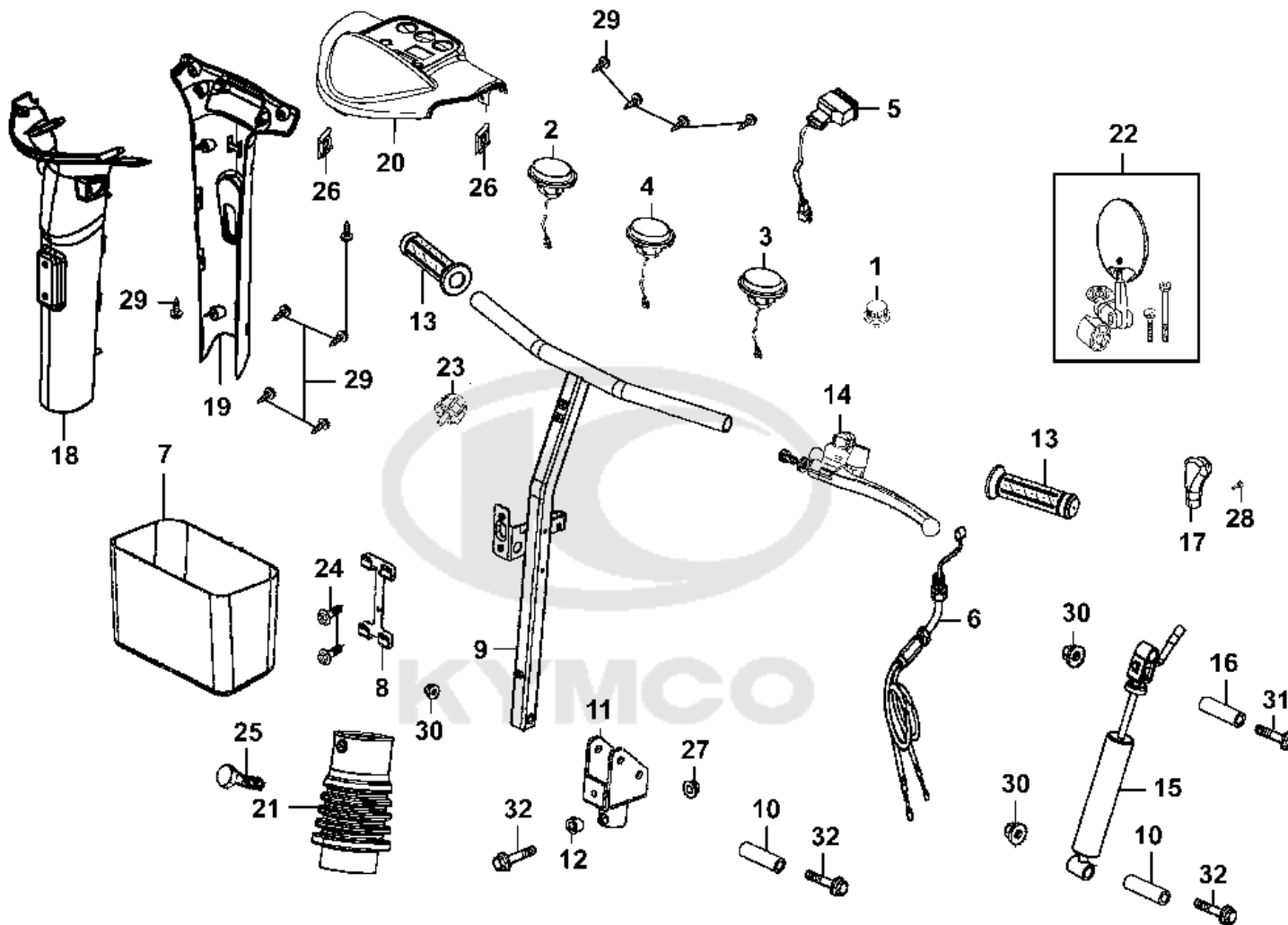
# Handle Steering



Sales mark	Ref no	Part no	Description	Reg description	Regd no	Ref Price	F01
	1	35110-LAC5-900	SPEED KNOB ALT 35110-LHD7-900	SPEED KNOB ALT 35110-LHD7-900	1	5.20	
	2	35150-LAC5-900	SW UNIT LIGHTING ALT 3150-LAC5-	SW UNIT LIGHTING ALT 3150-LAC5-900-R	1	6.50	
	3	35180-LAC5-900	SW UNIT HORN **(2) C.2007.02.05	SW UNIT HORN **(2) C.2007.02.05	1	6.50	
	4	35190-LAC5-900	SW UNIT HAZARD	SW UNIT HAZARD	1	6.50	
	5	35200-LAC5-900	SW UNIT WINKER ALT 35200-LAC5-900	SW UNIT WINKER ALT 35200-LAC5-900-R	1	6.50	
	6	45450-LAC5-700	BRAKE CABLE- EQ30BA + STRIDER	BRAKE CABLE- EQ30BA + STRIDER MIDI	1	7.22	
	7	50150-LAC5-900	BASKET ALT 50150-LAC5-910	BASKET ALT 50150-LAC5-910	1	18.20	
	8	50160-LAC5-900	STAY BASKET SET	STAY BASKET SET	1	5.20	
	9	53100-LAC5-900	HANDLE COMP STRG	HANDLE COMP STRG	1	22.10	
	10	53101-LAC5-900	Obsolete	Obsolete	2		
	11	53104-LAC5-900	STAY COMP HANDLE	STAY COMP HANDLE	1	29.25	
	12	53125-LAC5-900	COLLAR HANDLE SET	COLLAR HANDLE SET	1	3.25	
**	13	53166-LAC5-911	HAND GRIP	HAND GRIP	2	3.25	
	14	5317B-LAC5-900	BRACKET ASSY HANDLE LH	BRACKET ASSY HANDLE LH	1	9.75	
	14	5317B-LBE1-E70	BRAKE LEVER	BRAKE LEVER	1	16.25	
	15	53190-LAC5-90A	ADJUSTER HANDLE/ Gas strut	ADJUSTER HANDLE/ Gas strut	1	29.25	
	16	53191-LAC5-900	COLLAR ADJUSTER	COLLAR ADJUSTER	1	1.33	
	17	53196-LAC5-900	BLACK GRIP	BLACK GRIP	1	3.21	
**	18	53205-LAC5-900	COVER HANDLE FR DARK BLUE	COVER HANDLE FR DARK BLUE	1	18.20	
**	19	53206-LAC5-900	COVER HANDLE RR	COVER HANDLE RR	1	22.75	

F01

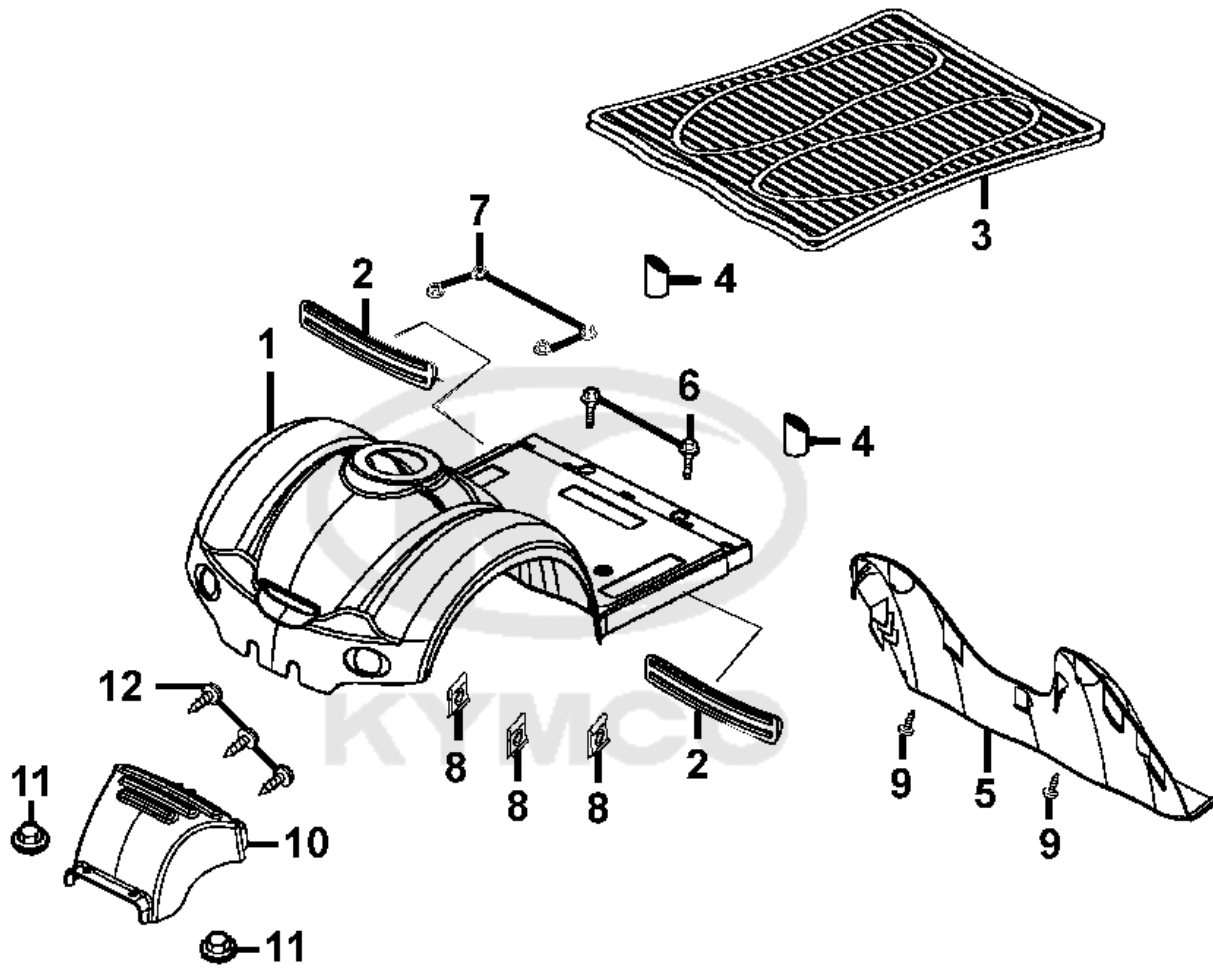
# Handle Steering



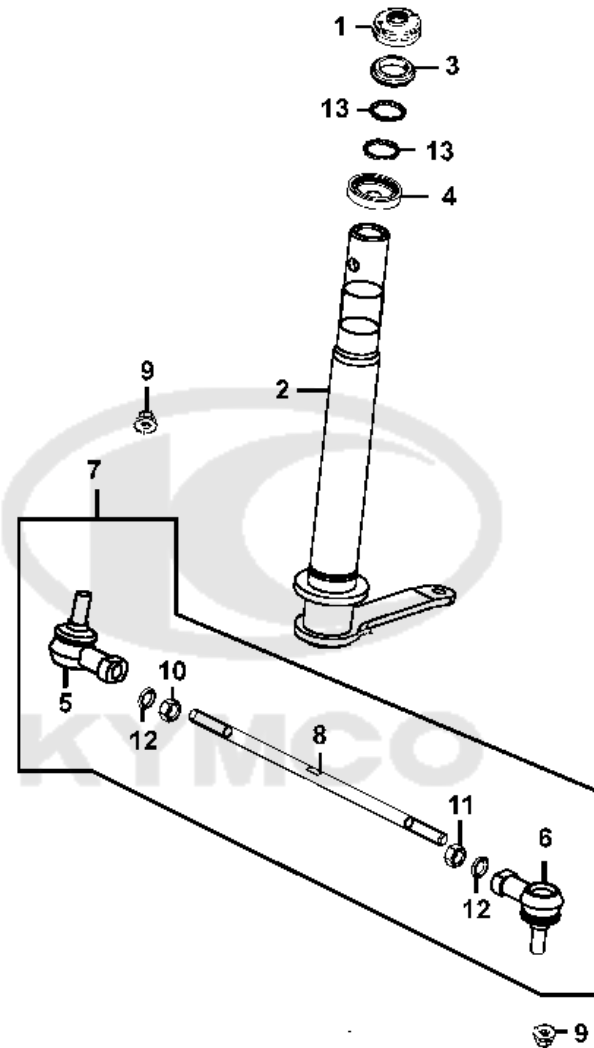
Sales mark	Ref no	Part no	Description	Reg description	Regd no	Ref Price	F01
**	20	53207-LAC5-900	METER COVER **(5) C.2006.01.25	METER COVER **(5) C.2006.01.25	1	10.40	
	21	53209-LAC5-900	COVER DUST	COVER DUST	1	11.70	
	22	88120-LAC5-910	MIRROR ASSY BACK	MIRROR ASSY BACK	1	16.25	
	23	88130-LAC5-900	CAP HANDLE PIPE	CAP HANDLE PIPE	1	5.00	
	24	90302-GFY6-911	BOLT-WASH 5*12	BOLT-WASH 5*12	2	3.25	
	25	90302-KEC8-910	BOLT PAN 5*9	BOLT PAN 5*9	2	3.25	
	26	90302-LAC5-004	NUT SPRING 4MM	NUT SPRING 4MM	5	3.25	
	27	90309-GLW0-90A	NUT U FLANGE 8MM **(0) C.2009.03.05	NUT U FLANGE 8MM **(0) C.2009.03.05	1	0.85	
	28	93500-04010-0F	SCREW PAN 4X10(G)	SCREW PAN 4X10(G)	1	0.64	
	29	93903-34380-G	SCREW TAPPING 4x12	SCREW TAPPING 4x12	1	3.25	
	30	94050-08080-G	NUT FLANGE 8MM (C)	NUT FLANGE 8MM (C)	4	0.49	
	31	95801-08035-06	BOLT FLANGE 8*35 **LLJ1-900	BOLT FLANGE 8*35 **LLJ1-900	1	0.36	
	32	95801-08045-08G	BOLT FLANGE 8*45	BOLT FLANGE 8*45	1	0.49	

F02

Floor Panel

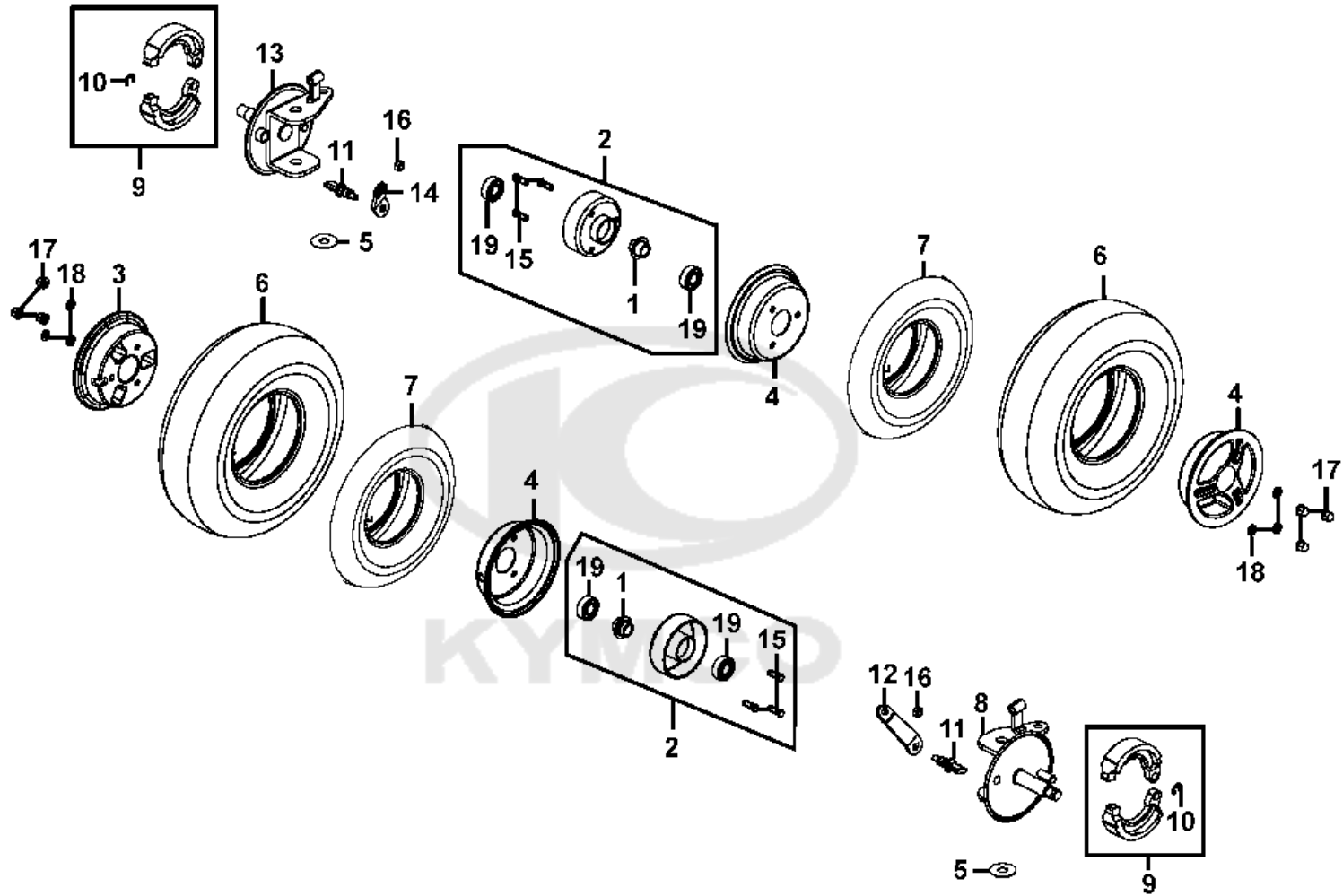


Sales mark	Ref no	Part no	Description	Reg description	Regd no	Ref Price	F02
**	10	64302-LAC5-900	FRONT PLASTIC BUMPER- SUPER	FRONT PLASTIC BUMPER- SUPER 4/6/8/	1	8.45	
**	1	64310-LAC5-900	FR FLOOR PANEL- MIDI RANGE- DEEP	FR FLOOR PANEL- MIDI RANGE- DEEP	1	81.25	
**	2	64311-LAC5-900	MOLD A	MOLD A	2	3.25	
**	4	64316-LAC5-900	PLUG FLOOR	PLUG FLOOR	2	3.25	
**	3	64320-LAC5-900	FLOOR MAT- MIDI RANGE- BLACK	FLOOR MAT- MIDI RANGE- BLACK MAT	1	11.05	
**	5	64330-LAC5-900	COVER FLOOR	COVER FLOOR	1	9.75	
	6	90023-LAC5-001	BOLT SEAT LOCK 6X13.5	BOLT SEAT LOCK 6X13.5	2	3.25	
	11	90301-LAC5-001	NUT 6MM OPENSTAY	NUT 6MM OPENSTAY	3	3.25	
	7	90301-LAC5-671	NUT FLANGE 6MM	NUT FLANGE 6MM	6	3.25	
	8	90302-LAC5-004	NUT SPRING 4MM	NUT SPRING 4MM	5	3.25	
	12	93903-14380-G	SCREWTAPPING 4x12	SCREWTAPPING 4x12	1	3.25	
	9	93903-34380-G	SCREW TAPPING 4x12	SCREW TAPPING 4x12	1	3.25	





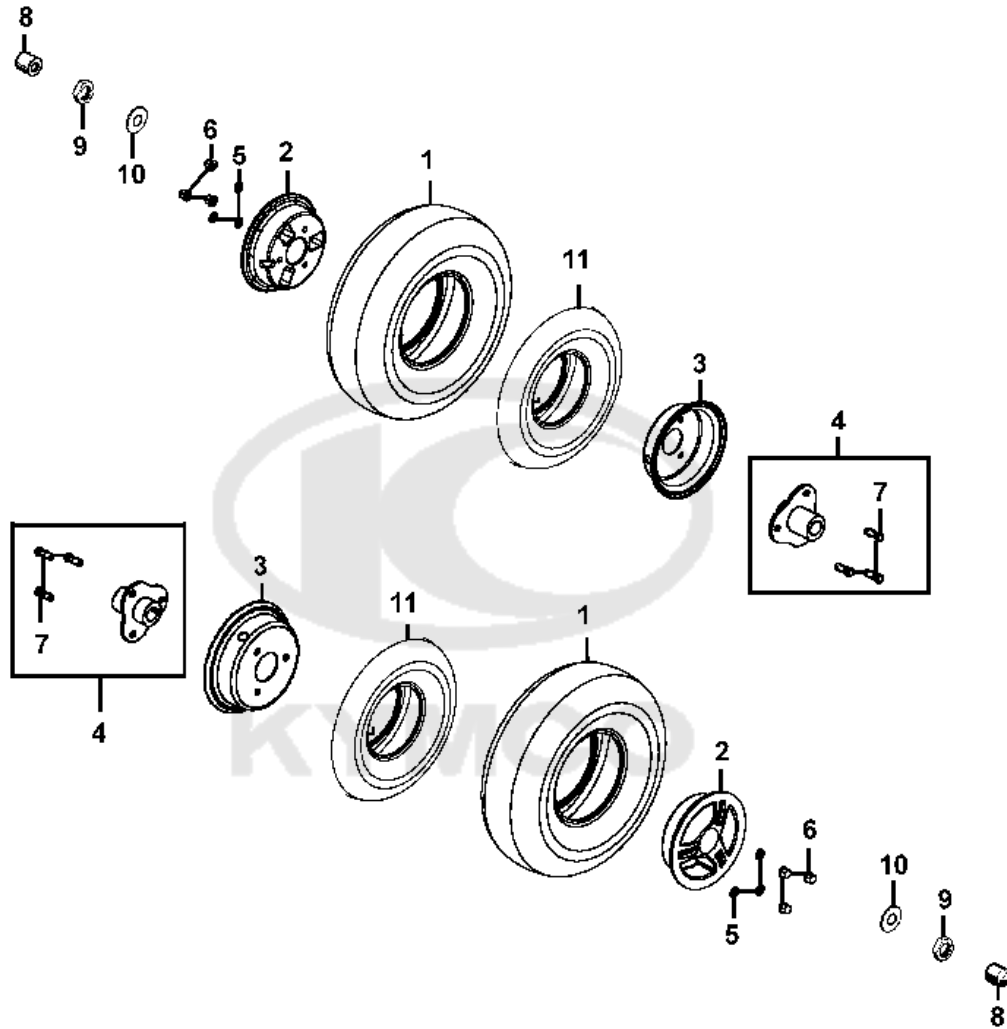
Sales mark	Ref no	Part no	Description	Reg description	Regd no	Ref Price	F03
	1	50306-1F96-001	NUT STRG STEM LOCK	NUT STRG STEM LOCK	1	1.18	
	2	53200-LAC5-700	STEM COMP STRG **(4) C.V.	STEM COMP STRG **(4) C.V.	1	19.50	
	3	53211-GFY6-940	RACE STRG TOP CONE **GY6-9400	RACE STRG TOP CONE **GY6-9400	1	1.87	
	4	53212-LDB4-004	ORDER 53212-GHC8-004	ORDER 53212-GHC8-004	1	3.25	
	6	53702-LAC5-900	BALL JOINT R	BALL JOINT R	1	6.50	
	5	53703-LAC5-900	JOINT L BALL	JOINT L BALL	2	16.25	
	7	53800-LAC5-700	ROD ASSY STEERING	ROD ASSY STEERING	1	13.00	
	8	53801-LAC5-700	ROD COMP STEERING	ROD COMP STEERING	1	11.70	
	9	90309-GLW0-90A	NUT U FLANGE 8MM **(0) C.2009.03.05	NUT U FLANGE 8MM **(0) C.2009.03.05	2	0.85	
	10	94001-08080-0S	NUT HEX 8MM	NUT HEX 8MM	1	0.49	
	11	94001-LAC5-900	NUT HEX 8MM L	NUT HEX 8MM L	1	0.55	
	12	94111-08800	WASHER SPRING 8MM	WASHER SPRING 8MM	2	0.33	
	13	96211-05000	BALL BEARING PACK OF 100	BALL BEARING PACK OF 100	55	3.25	



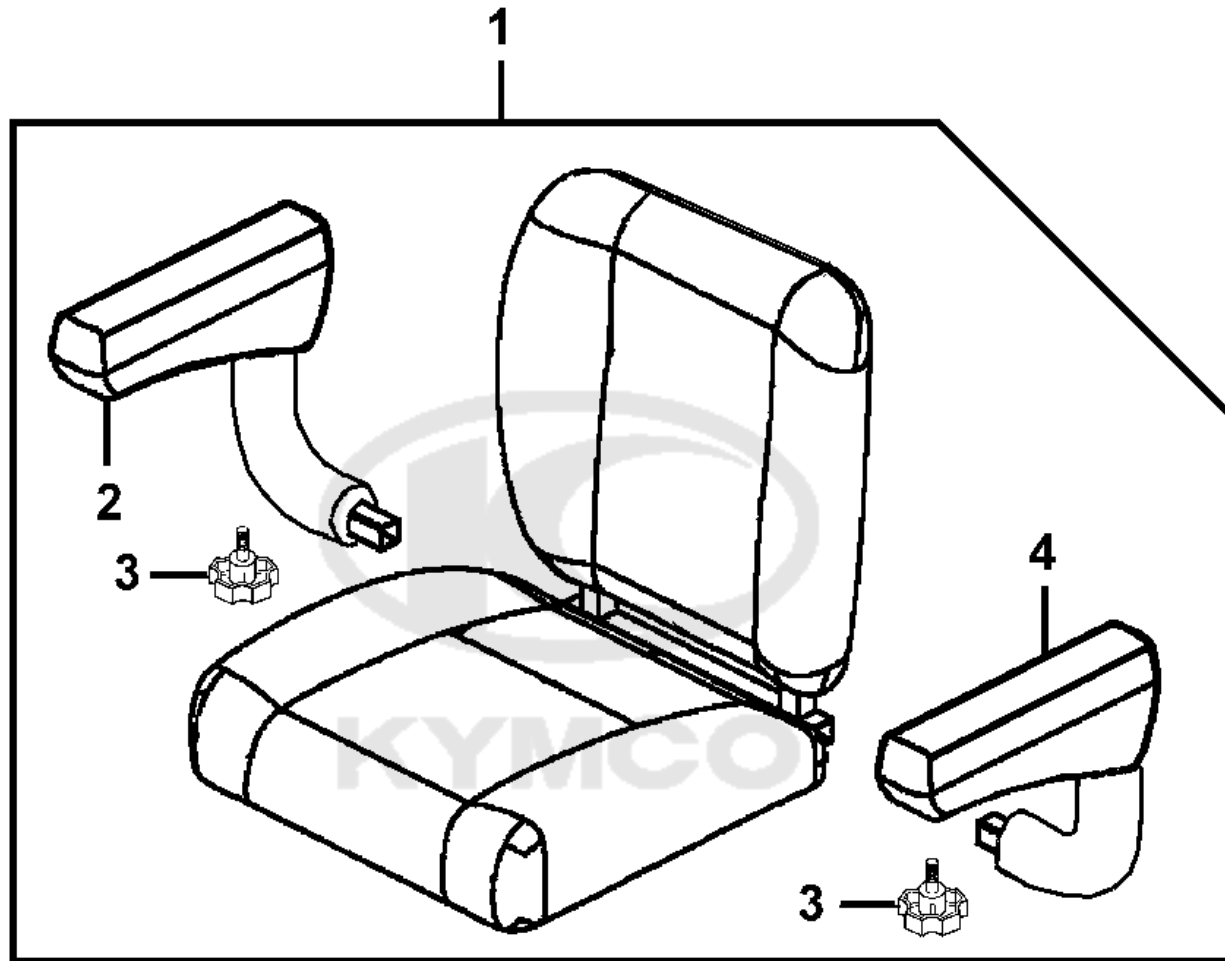
Sales mark	Ref no	Part no	Description	Reg description	Regd no	Ref Price	F04
	1	44620-LAC5-900	DIST COLLAR	DIST COLLAR	2	3.25	
	2	44650-LAC5-900	WHEEL COMP FR	WHEEL COMP FR	2	18.85	
	3	44701-LAC5-900	RIM CAST FR	RIM CAST FR	2	13.00	
	4	44702-LAC5-900	RIM COMP FR	RIM COMP FR	2	12.35	
	5	44705-LAC5-900	WASHER 12MM	WASHER 12MM	2	3.25	
	6	44710-LAC5-900	ORDER 44710-LAC5-90B	ORDER 44710-LAC5-90B	2	22.00	
	7	44712-LAC5-900	TUBE TIRE **(0) C.2005.09.08	TUBE TIRE **(0) C.2005.09.08	2	7.22	
	8	45100-LAC5-700	PANEL COMP FR R/H	PANEL COMP FR R/H	1		
	9	4512A-LAC5-900	Brake shoe	Brake shoe	4	6.04	
	10	45133-LAC5-900	SPG BRAKE SHOE **(0) C.2005.07.13	SPG BRAKE SHOE **(0) C.2005.07.13	2	0.81	
	11	45141-LAC5-900	CAM FR BRK R/H	CAM FR BRK R/H	2	13.00	
	12	45410-LAC5-900	ARM FR BRK R/H	ARM FR BRK R/H	1	13.00	
	13	46100-LAC5-700	Obsolete	Obsolete	1		
	14	46410-LAC5-900	ARM FR BRAKE L/H	ARM FR BRAKE L/H	1	9.75	
	15	90105-LAC5-900	BOLT M8*20 **(0) C.2005.09.08	BOLT M8*20 **(0) C.2005.09.08	6	3.25	
	16	94001-06080-0SG	NUT HEX 6MM	NUT HEX 6MM	1	3.25	
	17	94021-08020-0S	NUT HEX CAP 8MM	NUT HEX CAP 8MM	6	3.25	
	18	94111-08800	WASHER SPRING 8MM	WASHER SPRING 8MM	6	0.33	
	19	96120-62020-00	BRG RADIAL BALL 6202	BRG RADIAL BALL 6202	4	3.73	

F05

Rear Wheel



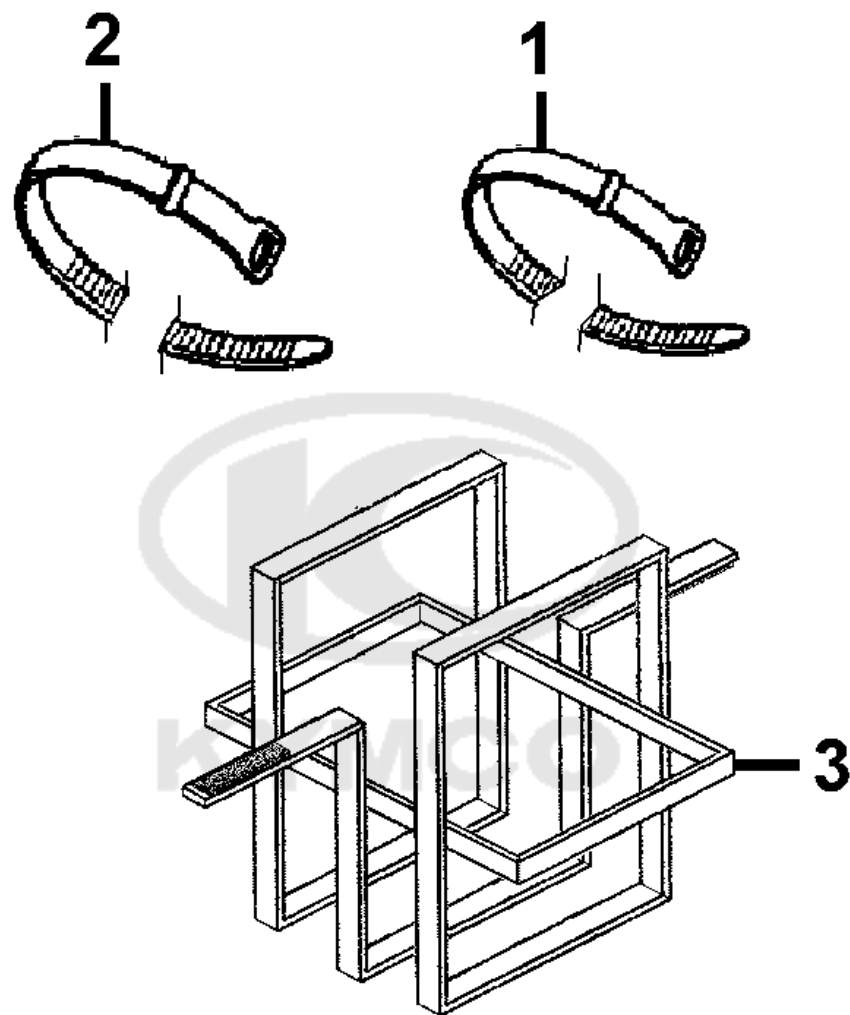
Sales mark	Ref no	Part no	Description	Reg description	Regd no	Ref Price	F05
	8	42315-LAC5-900	CAP RR AXLE **(0) C.2003.10.22	CAP RR AXLE **(0) C.2003.10.22	2	3.25	
	10	42705-LAC5-900	WASHER 12MM RR WHEEL	WASHER 12MM RR WHEEL	2	3.25	
	4	4270A-LAC5-900	CONNECTOR ASSY RR	CONNECTOR ASSY RR	2	13.00	
	2	44701-LAC5-900	RIM CAST FR	RIM CAST FR	2	13.00	
	3	44702-LAC5-900	RIM COMP FR	RIM COMP FR	2	12.35	
	1	44710-LAC5-900	ORDER 44710-LAC5-90B	ORDER 44710-LAC5-90B	2	22.00	
	11	44712-LAC5-900	TUBE TIRE **(0) C.2005.09.08	TUBE TIRE **(0) C.2005.09.08	2	7.22	
	7	90105-LAC5-900	BOLT M8*20 **(0) C.2005.09.08	BOLT M8*20 **(0) C.2005.09.08	6	3.25	
	9	90306-GLW0-90A	NUT FLANGE 12MM **(0) C.2009.03.05	NUT FLANGE 12MM **(0) C.2009.03.05	1	0.85	
	6	94021-08020-0S	NUT HEX CAP 8MM	NUT HEX CAP 8MM	6	3.25	
	5	94111-08800	WASHER SPRING 8MM	WASHER SPRING 8MM	6	0.33	



Sales mark	Ref no	Part no	Description	Reg description	Regd no	Ref Price	F06
------------	--------	---------	-------------	-----------------	---------	-----------	-----

	2	77100-LAC5-900	R/H USE 77100-LDB4-700	R/H USE 77100-LDB4-700	1	31.20	
**	1	77200-LAC5-700	SEAT ASSY	SEAT ASSY	1	206.81	
	3	77223-LAC5-305	BOLT LOCK ARM REST	BOLT LOCK ARM REST	2	3.25	
	4	77300-LAC5-900	L/H USE 77300-LDB4-700	L/H USE 77300-LDB4-700	1	31.20	







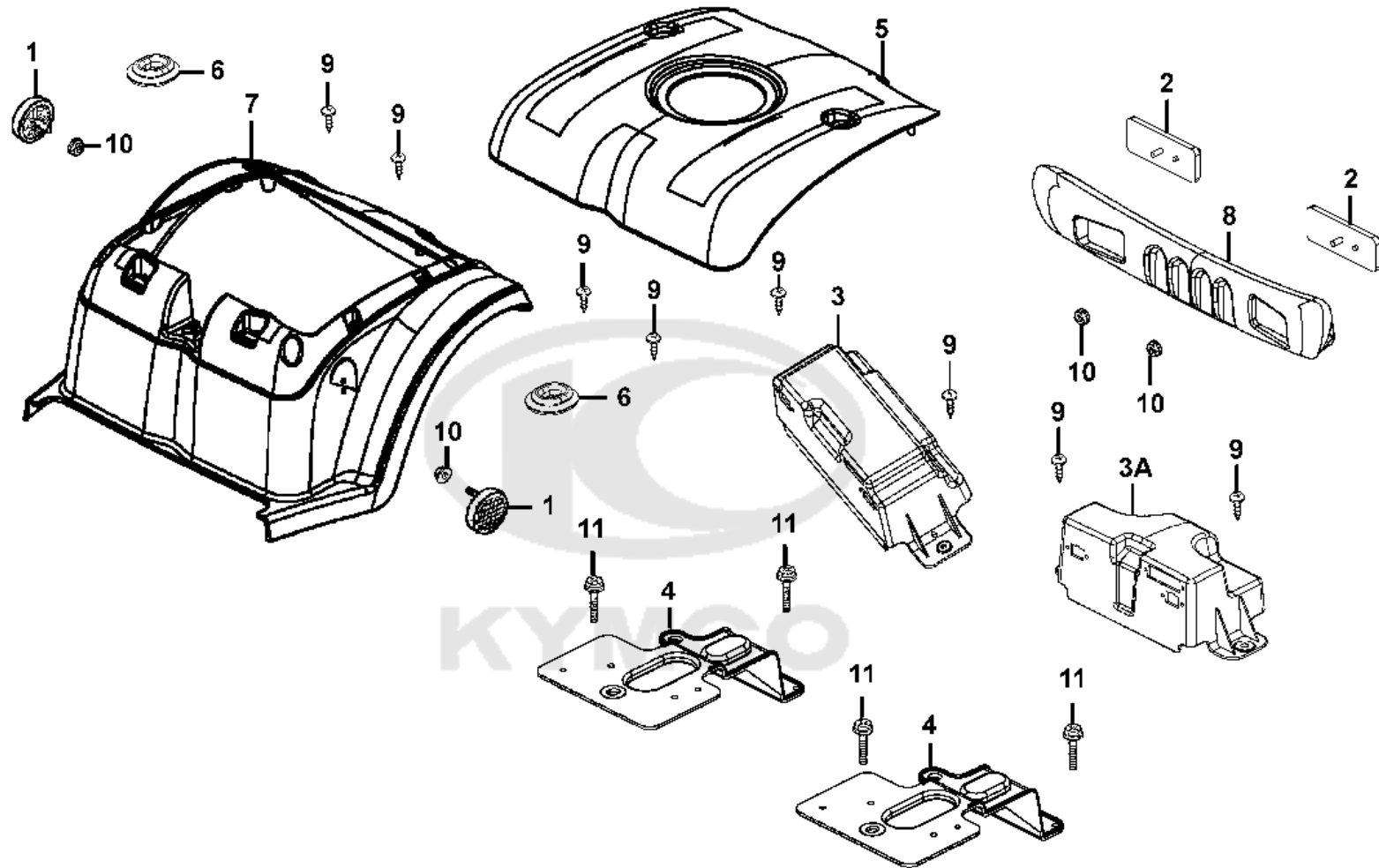
Sales mark	Ref no	Part no	Description	Reg description	Regd no	Ref Price	<b>F07</b>
------------	--------	---------	-------------	-----------------	---------	-----------	------------

1		31510-LAC5-900	BAND BATTERY	BAND BATTERY	1	3.25	
2		31520-LAC5-900	BAND B BATTERY	BAND B BATTERY	1	3.25	
3		50325-LAC5-900	BAG BATTERY	BAG BATTERY	1	9.75	

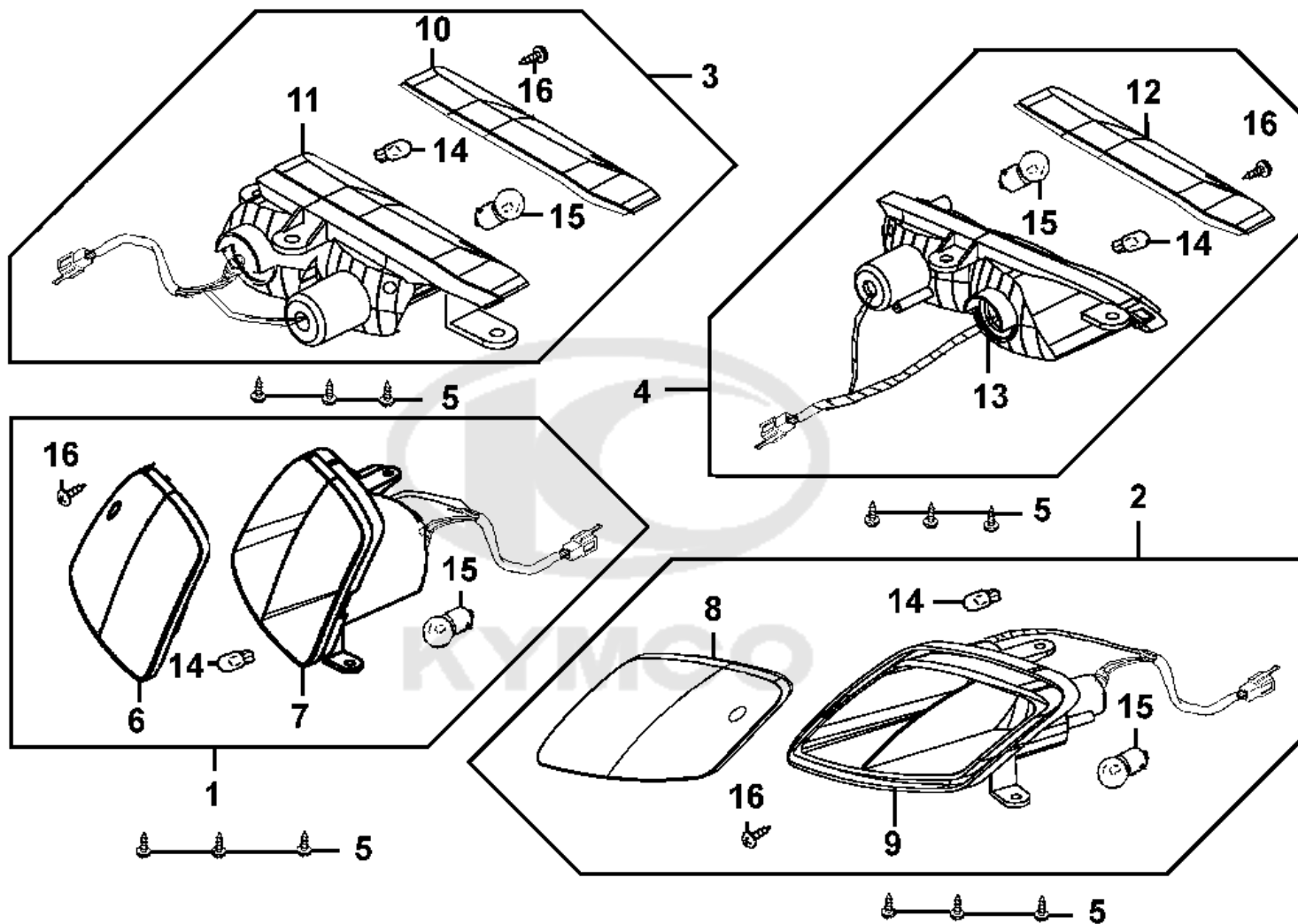


F08

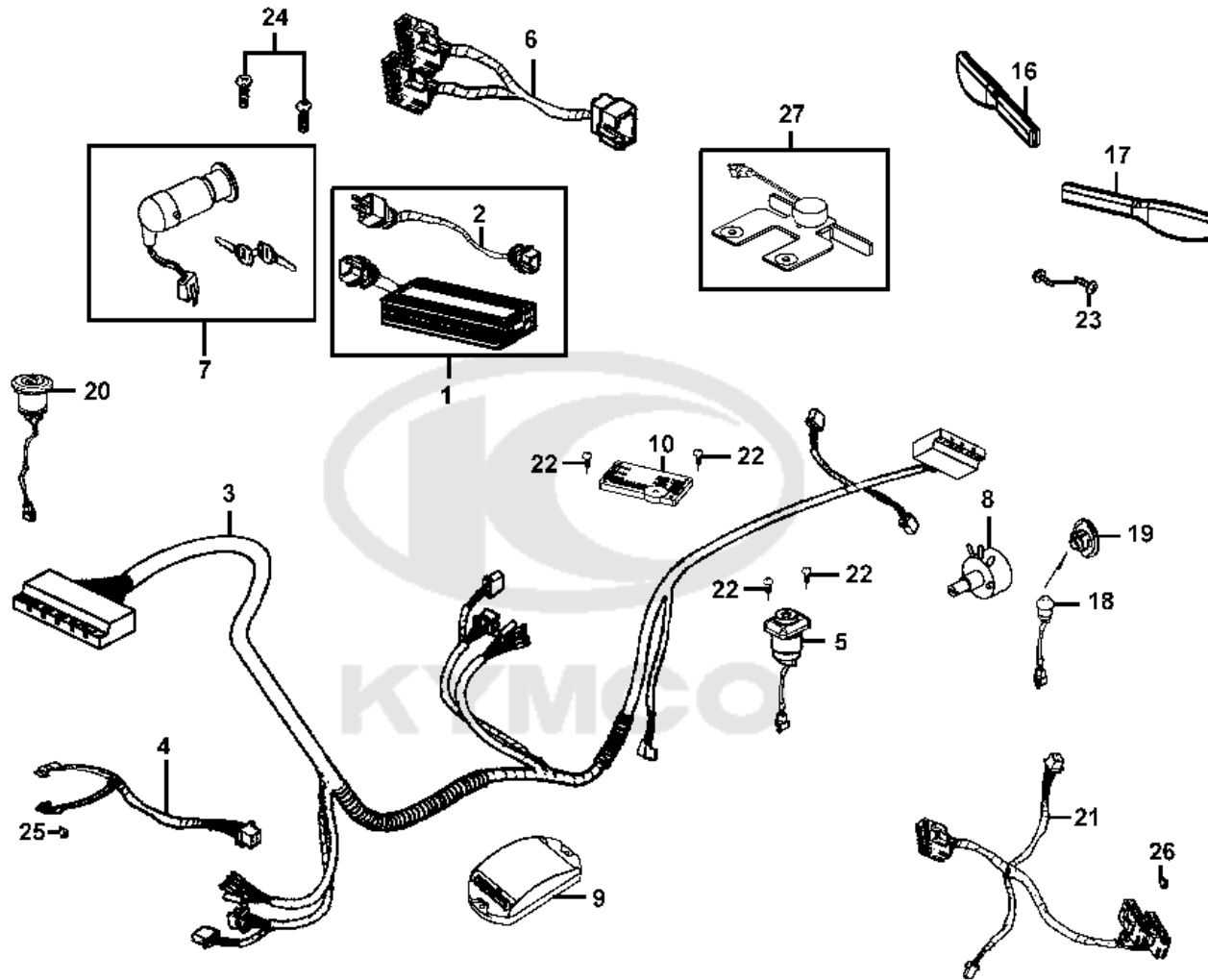
Body Cover



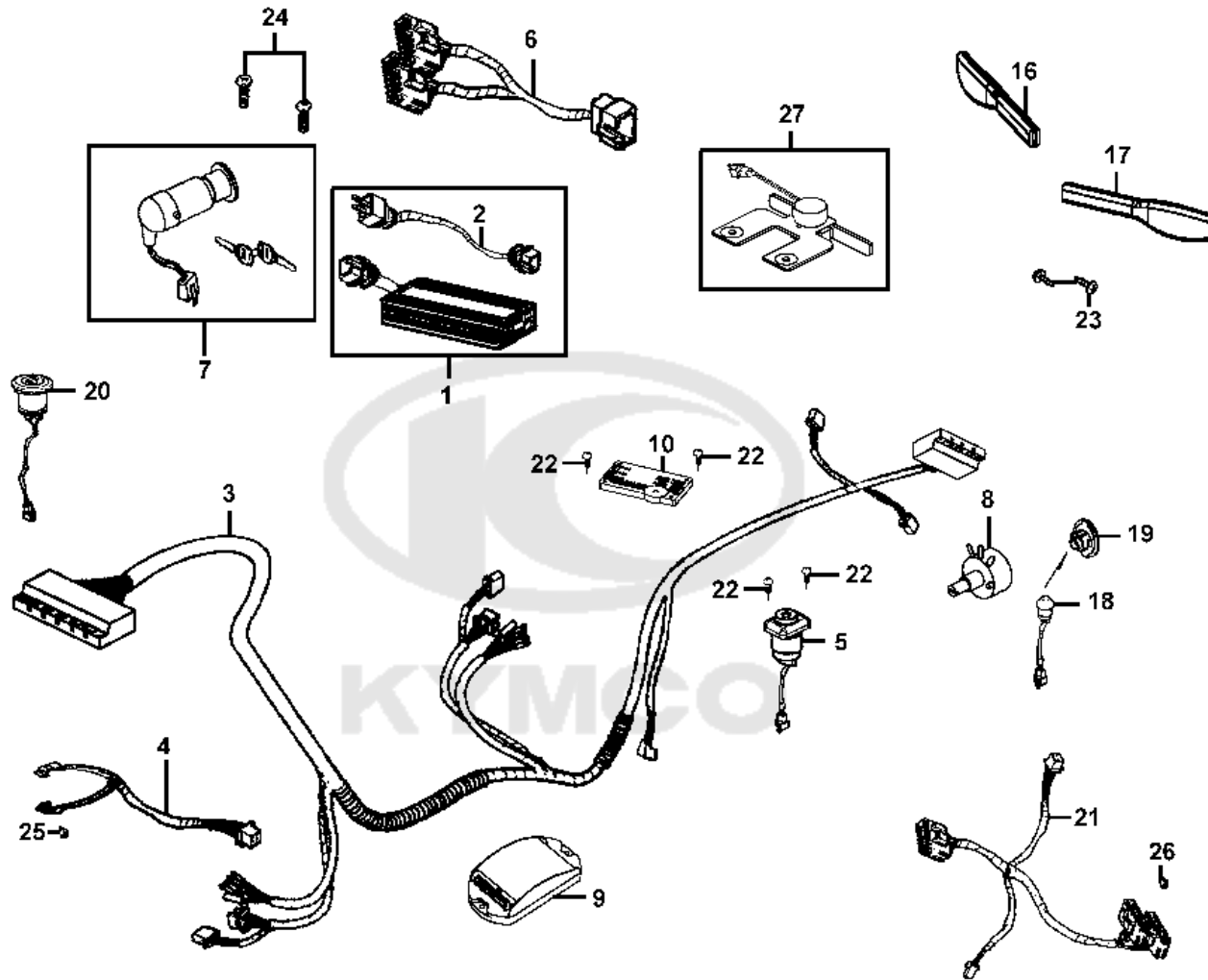
Sales mark	Ref no	Part no	Description	Reg description	Regd no	Ref Price	F08
	1	33741-GFY6-C30	REFLEX REFLECTOR ORANGE	REFLEX REFLECTOR ORANGE	2	2.08	
	2	33741-KEBE-900	REFLEX REFLECTOR **KBE-9000	REFLEX REFLECTOR **KBE-9000	2	2.83	
	3	80101-LAC5-900	COVER ELEC CONTROL UNIT	COVER ELEC CONTROL UNIT	1		
	3A	80101-LDB4-900	COVER ELEC CONTROL UNIT	COVER ELEC CONTROL UNIT	1	11.70	
	4	80102-LAC5-900	Obsolete	Obsolete	2		
**	5	83500-LAC5-900	REAR BATTERY COVER- MIDI RANGE-	REAR BATTERY COVER- MIDI RANGE-	1	22.75	
	6	83551-KKAK-900	GROMMET AIR/C CASE **KAK-9000	GROMMET AIR/C CASE **KAK-9000	2	0.64	
**	7	83600-LAC5-900	REAR BODY PANEL- MIDI RANGE-	REAR BODY PANEL- MIDI RANGE- DEEP	1	65.00	
**	8	83751-LAC5-900	BUMPER RR	BUMPER RR	1	19.50	
	9	93903-34380-G	SCREW TAPPING 4x12	SCREW TAPPING 4x12	1	3.25	
	10	94050-06080-G	NUT FLANGE 6MM	NUT FLANGE 6MM	4	0.49	
	11	95701-06012-06	BOLT FLANGE 6*12 **07 C.2005.07.01	BOLT FLANGE 6*12 **07 C.2005.07.01	1	0.47	



Sales mark	Ref no	Part no	Description	Reg description	Regd no	Ref Price	F09
	1	33400-LAC5-900	WINKER ASSY RH FR	WINKER ASSY RH FR	1	16.25	
	6	33401-LAC5-900	LENS COMP R FR WINKER	LENS COMP R FR WINKER	1	6.50	
	7	33404-LAC5-900	BASE COMP R FR WINKER	BASE COMP R FR WINKER	1	26.00	
	2	33450-LAC5-900	WINKER ASSY LH FR	WINKER ASSY LH FR	1	16.25	
	8	33451-LAC5-900	LENS L FR WINKER CLEAR/ORANGE	LENS L FR WINKER CLEAR/ORANGE	1	6.50	
	9	33454-LAC5-900	BASE COMP L FR WINKER	BASE COMP L FR WINKER	1	9.75	
	3	33600-LAC5-900	WINKER ASSY RH RR	WINKER ASSY RH RR	1	16.25	
	10	33601-LAC5-900	LENS COMP R RR WINKER	LENS COMP R RR WINKER	1	6.50	
	11	33604-LAC5-900	BASE COMP R RR WINKER	BASE COMP R RR WINKER	1	9.75	
	4	33650-LAC5-900	WINKER ASSY LH RR	WINKER ASSY LH RR	1	16.25	
	12	33651-LAC5-900	LENS COMP L RR WINKER	LENS COMP L RR WINKER	1	6.50	
	13	33654-LAC5-900	BASE COMP L RR WINKER	BASE COMP L RR WINKER	1	6.50	
	14	34903-LAC5-900	BULB POSITION	BULB POSITION	4	3.25	
	15	34905-LAC5-900	BULB WINKER 24V 10W	BULB WINKER 24V 10W	4	3.25	
	16	93901-32310	SCREW TAPPING 3*12	SCREW TAPPING 3*12	4	3.25	
	5	93903-34380-G	SCREW TAPPING 4x12	SCREW TAPPING 4x12	1	3.25	



Sales mark	Ref no	Part no	Description	Reg description	Regd no	Ref Price	F10
2		31280-LAC5-E20	CORD AC POWER	CORD AC POWER	1	6.50	
1		31800-LAC5-E21	BATTERY CHARGER ASSY	BATTERY CHARGER ASSY	1	70.00	
3		32100-LAC5-910	Obsolete	Obsolete	1		
3		32100-LAC5-920	Obsolete	Obsolete	1		
21		32101-LAC5-900	Obsolete	Obsolete	1		
21		32101-LAC5-910	Obsolete	Obsolete	1		
21		32101-LDB4-E72	Obsolete	Obsolete	1		
4		32201-LAC5-900	CONNECT CORD BATTERY	CONNECT CORD BATTERY	2	24.70	
5		32620-LAC5-900	SOCKET CHARGER	SOCKET CHARGER	1	8.45	
6		33710-LAC5-900	REAR LIGHT LOOM	REAR LIGHT LOOM	1	3.25	
27		34010-LAC5-900	THROTTLE	THROTTLE	1	39.00	
7		35010-LAC5-E00	KEY SET	KEY SET	1	16.25	
8		35115-LAC5-900	SPEED POT 20K?	SPEED POT 20K?	1	11.70	
9		36000-LAC5-E20	Obsolete	Obsolete	1		
10		36100-AAH6-E20	CONTROL METER	CONTROL METER	1	42.50	
16		36108-LBE1-900	LEVER RH SPEED THROTTLE	LEVER RH SPEED THROTTLE	2	6.50	
17		36109-LBE1-900	LEVER LH SPEED THROTTLE	LEVER LH SPEED THROTTLE	1	6.50	
18		36110-LAC5-900	LED	LED	1	3.25	
19		36120-LAC5-900	LED HOUSE	LED HOUSE	1	3.25	
20		37806-LAC5-900	VU METER **(0) C.2005.09.08	VU METER **(0) C.2005.09.08	1	9.10	

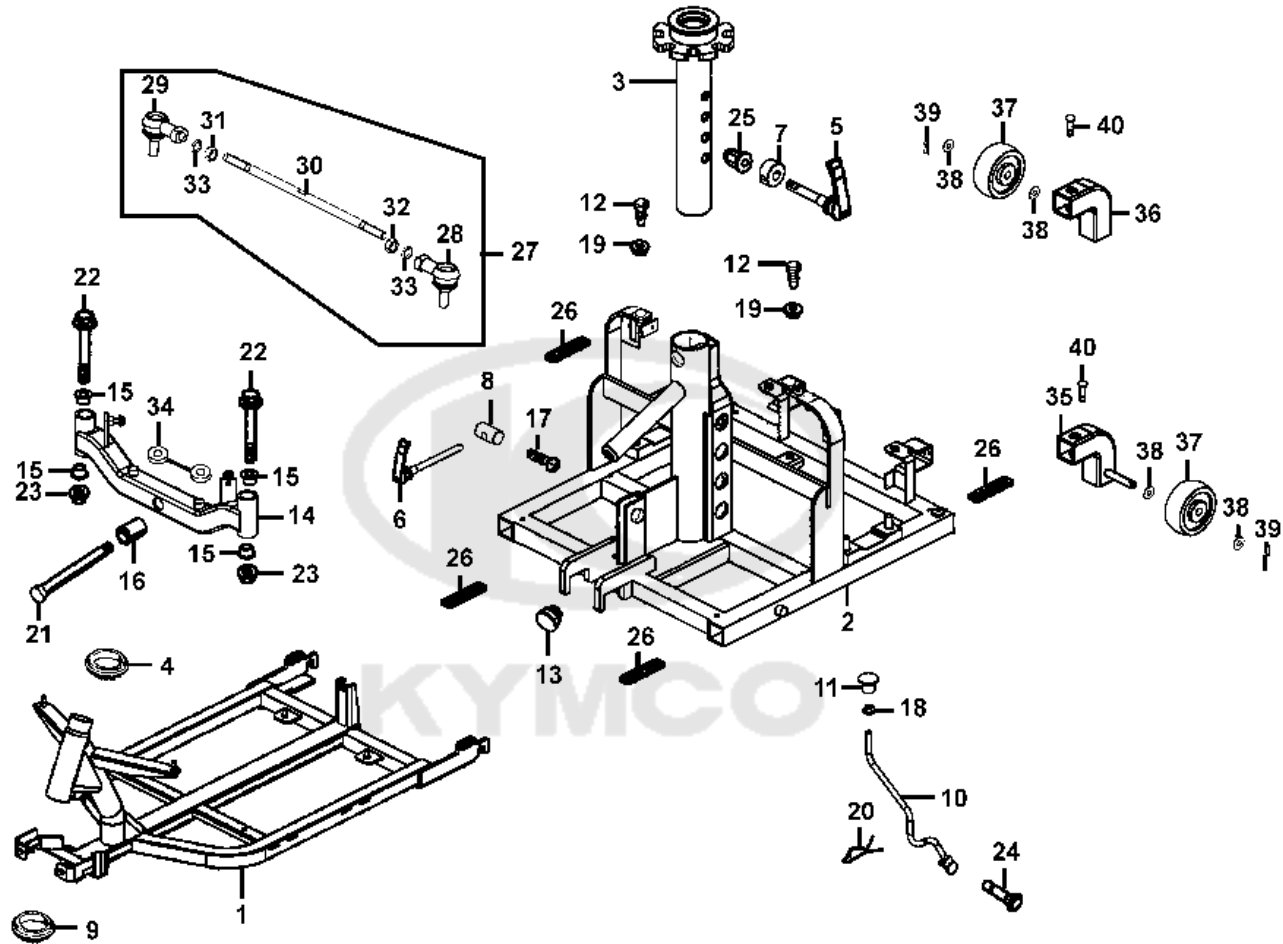




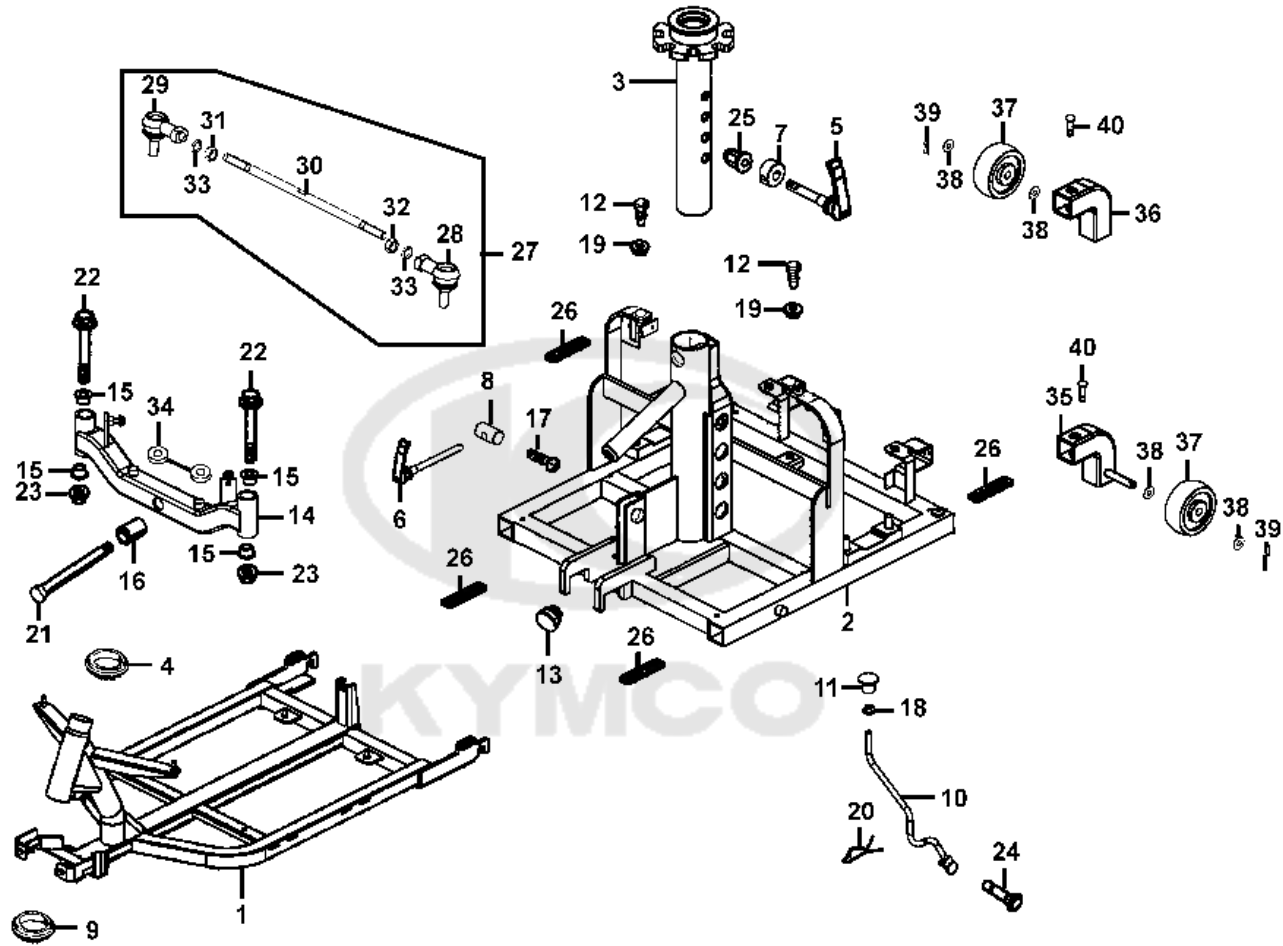
Sales mark	Ref no	Part no	Description	Reg description	Regd no	Ref Price	<b>F10</b>
------------	--------	---------	-------------	-----------------	---------	-----------	------------

22		93600-02008-0A	SCREW FLAT 2.5*8	SCREW FLAT 2.5*8	4	3.25	
23		93903-25460	SCREW TAPPING 5*20 **93903-25480	SCREW TAPPING 5*20 **93903-25480	2	0.25	
24		96001-06035-06	BOLT FLANGE SH 6*35	BOLT FLANGE SH 6*35	1	0.25	
26		98200-31000	BLADE FUSE 10A **(0) C.2005.03.01	BLADE FUSE 10A **(0) C.2005.03.01	1	3.25	
25		98200-34000	BLADE FUSE 40A	BLADE FUSE 40A	1	1.27	

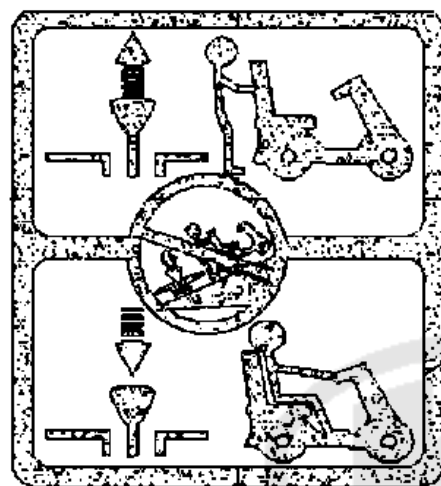




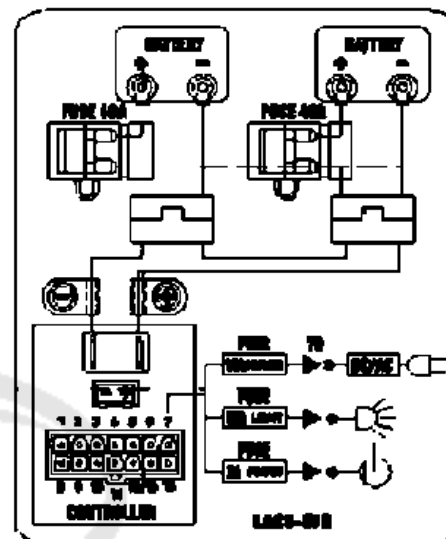
Sales mark	Ref no	Part no	Description	Reg description	Regd no	Ref Price	F11
	37	42800-LAC5-900	ANTI-TIP WHEEL	ANTI-TIP WHEEL	2	3.25	
	1	50110-LAC5-700	BODY COMP FRONT FRAME	BODY COMP FRONT FRAME	1	52.00	
	2	50120-LAC5-800	CODY COMP REAR FRAME	CODY COMP REAR FRAME	1	53.80	
	3	50135-LAC5-900	PIPE B SEAT SET **(8) C.2005.09.08	PIPE B SEAT SET **(8) C.2005.09.08	1	18.20	
	26	50222-LAC5-900	RUBBER BATTERY SET	RUBBER BATTERY SET	4	3.25	
	36	50231-LAC5-700	BRKT R REAR WHEEL	BRKT R REAR WHEEL	1	5.20	
	35	50232-LAC5-700	BRKT L REAR WHEEL	BRKT L REAR WHEEL	1	5.20	
	24	50234-LAC5-900	SHAFT BRAKE LEAVE **(0)	SHAFT BRAKE LEAVE **(0) C.2005.09.08	1	5.20	
	5	50301-LAC5-900	Obsolete	Obsolete	1		
	4	50301-LDB4-001	RACE UP STRG BALL	RACE UP STRG BALL	1	3.25	
	6	50302-LDB4-900	SHAFT SET LOCK	SHAFT SET LOCK	1	3.25	
	7	50303-LAC5-900	COLLAR SEAT SET PIPE	COLLAR SEAT SET PIPE	1	3.25	
	8	50304-LDB4-900	COLLAR FRAME LOCK	COLLAR FRAME LOCK	1	3.25	
	9	50305-LDB4-004	RACE UNDER STRG BALL	RACE UNDER STRG BALL	1	3.25	
	10	50308-LAC5-900	BAR BRAKE LEAVE	BAR BRAKE LEAVE	1	3.25	
	11	50309-LAC5-900	BRAKE LEAVE KNOB	BRAKE LEAVE KNOB	1	3.25	
	12	50310-LAC5-900	BOLT LOCK PIN	BOLT LOCK PIN	2	3.25	
	25	50312-LAC5-900	NUT SEAT LOCK	NUT SEAT LOCK	1		
	13	53103-LAC5-900	END STOP	END STOP	1	3.25	
	14	53400-LAC5-900	Obsolete	Obsolete	1		



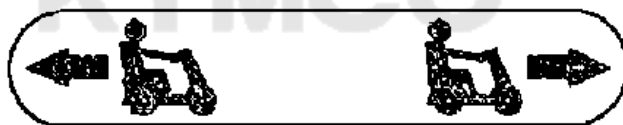
Sales mark	Ref no	Part no	Description	Reg description	Regd no	Ref Price	F11
	15	53402-LBB7-E00	WASHER	WASHER	4	3.25	
	34	53403-LBB7-E00	RUBBER SWING ARM	RUBBER SWING ARM	2	3.25	
	16	53405-LAC5-900	Obsolete	Obsolete	1		
	27	53700-LAC5-700	ROAD ASSY STEERING alt 53700-LAC5	ROAD ASSY STEERING alt 53700-LAC5-	1	13.00	
	30	53701-LAC5-700	ROD COMP SWING	ROD COMP SWING	1	16.25	
	28	53702-LAC5-900	BALL JOINT R	BALL JOINT R	1	6.50	
	29	53703-LAC5-900	JOINT L BALL	JOINT L BALL	1	16.25	
	23	90304-GHE8-004	NUT U 10MM **GE8-0040 C.2005.03.01	NUT U 10MM **GE8-0040 C.2005.03.01	2	0.68	
	17	93500-04012-0HG	SCREW PAN 4*12	SCREW PAN 4*12	1	3.25	
	18	94001-06080-0SG	NUT HEX 6MM	NUT HEX 6MM	1	3.25	
	32	94001-08080-0S	NUT HEX 8MM	NUT HEX 8MM	1	0.49	
	31	94001-LAC5-900	NUT HEX 8MM L	NUT HEX 8MM L	1	0.55	
	19	94050-08060	NUT FLANGE 8MM	NUT FLANGE 8MM	2	0.49	
	38	94101-06800-G	WASHER PLAN 6MM	WASHER PLAN 6MM	4	0.12	
	33	94111-08800	WASHER SPRING 8MM	WASHER SPRING 8MM	2	0.33	
	20	94201-16150	PIN SPLIT 1.6*15	PIN SPLIT 1.6*15	1	0.41	
	39	94251-08400	PIN LOCK 8MM	PIN LOCK 8MM	2	0.68	
	22	95801-10080-06	BOLT FLANGE 10X80	BOLT FLANGE 10X80	2	3.25	
	21	95801-10085-06	BOLT FLANGE 10*85	BOLT FLANGE 10*85	1	1.00	
	40	96700-LCA1-E00	SOCKET BOLT 8*30	SOCKET BOLT 8*30	2	3.25	



1



3

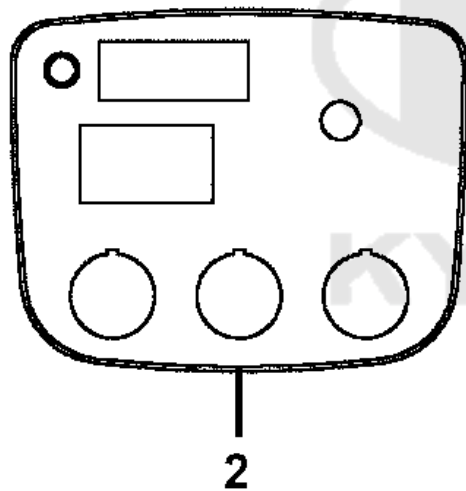
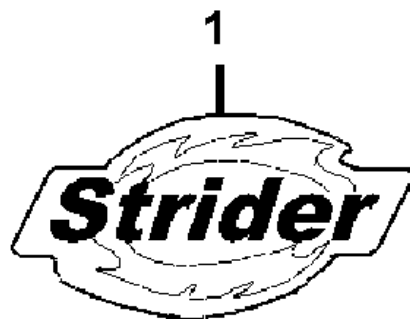


2

Sales mark	Ref no	Part no	Description	Reg description	Regd no	Ref Price	F12
------------	--------	---------	-------------	-----------------	---------	-----------	-----

**	1	87501-LAC5-900	USE CAUTION SILVER	USE CAUTION SILVER	1	3.25	
	3	87508-LAC5-900	LABEL BATTERY **T01 C.P.N.	LABEL BATTERY **T01 C.P.N.	1		
**	2	87560-LAC5-900	MARK DRIVE CAUTION	MARK DRIVE CAUTION	1	3.25	







Sales mark	Ref no	Part no	Description	Reg description	Regd no	Ref Price	F13
------------	--------	---------	-------------	-----------------	---------	-----------	-----

**	1	86020-LAC5-E20	EMB DMA STRIDER	EMB DMA STRIDER	1		
**	2	86444-LAC5-900	EMB METER	EMB METER	1	6.50	



## PART NO. INDEX

PART NO.	VERSION	PAGE	PART NO.	VERSION	PAGE	PART NO.	VERSION	PAGE
			32101-LDB4-E72	0	F10	34905-LAC5-900	1	F09
			32201-LAC5-900	7	F10			
			32620-LAC5-900	5	F10	<b>35000</b>		
<b>11000</b>								
1110A-LAC5-900	9	E01						
11302-LAC5-900	0	E01	<b>33000</b>			35010-LAC5-E00	2	F10
						35110-LAC5-900	5	F01
<b>13000</b>			33400-LAC5-900	6	F09	35115-LAC5-900	1	F10
			33401-LAC5-900	1	F09	35150-LAC5-900	4	F01
13331-LAC5-900	0	E01	33404-LAC5-900	2	F09	35180-LAC5-900	4	F01
			33450-LAC5-900	6	F09	35190-LAC5-900	7	F01
<b>31000</b>			33451-LAC5-900	1	F09	35200-LAC5-900	3	F01
			33454-LAC5-900	2	F09			
31280-LAC5-E20	2	F10	33600-LAC5-900	7	F09	<b>36000</b>		
31300-LAC5-M30	0	E01	33601-LAC5-900	3	F09			
31340-LAC5-900	0	E01	33604-LAC5-900	2	F09	36000-LAC5-E20	1	F10
31350-LAC5-900	0	E01	33650-LAC5-900	7	F09	36100-AAH6-E20	4	F10
31510-LAC5-900	4	F07	33651-LAC5-900	3	F09	36108-LBE1-900	2	F10
31520-LAC5-900	3	F07	33654-LAC5-900	2	F09	36109-LBE1-900	2	F10
31800-LAC5-E21	4	F10	33710-LAC5-900	3	F10	36110-LAC5-900	3	F10
			33741-GFY6-C30	1	F08	36120-LAC5-900	2	F10
			33741-KEBE-900	3	F08			
						<b>37000</b>		
32100-LAC5-910	0	F10	<b>34000</b>					
32100-LAC5-920	1	F10						
32101-LAC5-900	0	F10	34010-LAC5-900	7	F10			
32101-LAC5-910	0	F10	34903-LAC5-900	1	F09	37806-LAC5-900	4	F10

## PART NO. INDEX

PART NO.	VERSION	PAGE	PART NO.	VERSION	PAGE	PART NO.	VERSION	PAGE	
<b>42000</b>			45133-LAC5-900	1	F04	50305-LAE9-E00	3	E01	
			45141-LAC5-900	2	F04	50305-LDB4-004	1	F11	
			45410-LAC5-900	2	F04	50306-1F96-001	0	F03	
	42315-LAC5-900	3	F05	45450-LAC5-700	1	F01	50308-LAC5-900	6	F11
	42705-LAC5-900	5	F05				50309-LAC5-900	3	F11
4270A-LAC5-900	6	F05	<b>46000</b>			50310-LAC5-900	4	F11	
42800-LAC5-900	6	F11				50312-LAC5-900	0	F11	
			46100-LAC5-700	6	F04	50325-LAC5-900	1	F07	
<b>44000</b>			46410-LAC5-900	2	F04	50350-LDB4-900	2	E01	
44620-LAC5-900	5	F04	<b>50000</b>			<b>53000</b>			
44650-LAC5-900	7	F04							
44701-LAC5-900	5	F04	50110-LAC5-700	8	F11	53100-LAC5-900	11	F01	
44701-LAC5-900	5	F05	50120-LAC5-800	1	F11	53101-LAC5-900	0	F01	
44702-LAC5-900	4	F04	50135-LAC5-900	9	F11	53103-LAC5-900	2	F11	
44702-LAC5-900	4	F05	50150-LAC5-900	4	F01	53104-LAC5-900	9	F01	
44705-LAC5-900	7	F04	50160-LAC5-900	7	F01	53125-LAC5-900	6	F01	
44710-LAC5-900	4	F04	50222-LAC5-900	3	F11	53166-LAC5-911	1	F01	
44710-LAC5-900	4	F05	50231-LAC5-700	4	F11	5317B-LAC5-900	2	F01	
44712-LAC5-900	2	F04	50232-LAC5-700	4	F11	5317B-LBE1-E70	2	F01	
44712-LAC5-900	2	F05	50234-LAC5-900	2	F11	53190-LAC5-90A	9	F01	
			50301-LAC5-900	0	F11	53191-LAC5-900	2	F01	
<b>45000</b>			50301-LDB4-001	1	F11	53196-LAC5-900	4	F01	
			50302-LDB4-900	2	F11	53200-LAC5-700	5	F03	
45100-LAC5-700	5	F04	50303-LAC5-900	4	F11	53205-LAC5-900	5	F01	
4512A-LAC5-900	2	F04	50304-LDB4-900	2	F11	53206-LAC5-900	4	F01	

## PART NO. INDEX

PART NO.	VERSION	PAGE	PART NO.	VERSION	PAGE	PART NO.	VERSION	PAGE
53207-LAC5-900	8	F01						
53209-LAC5-900	8	F01	<b>77000</b>			<b>87000</b>		
53211-GFY6-940	1	F03						
53212-LDB4-004	1	F03	77100-LAC5-900	3	F06	87501-LAC5-900	7	F12
53400-LAC5-900	2	F11	77200-LAC5-700	8	F06	87508-LAC5-900	1	F12
53402-LBB7-E00	5	F11	77223-LAC5-305	2	F06	87560-LAC5-900	4	F12
53403-LBB7-E00	1	F11	77300-LAC5-900	3	F06			
53405-LAC5-900	0	F11				<b>88000</b>		
53700-LAC5-700	4	F11	<b>80000</b>					
53701-LAC5-700	4	F11				88120-LAC5-910	4	F01
53702-LAC5-900	6	F03	80101-LAC5-900	5	F08	88130-LAC5-900	2	F01
53702-LAC5-900	6	F11	80101-LDB4-900	5	F08			
53703-LAC5-900	6	F03	80102-LAC5-900	5	F08	<b>90000</b>		
53703-LAC5-900	6	F11						
53800-LAC5-700	4	F03	<b>83000</b>			90023-LAC5-001	1	F02
53801-LAC5-700	4	F03				90105-LAC5-900	4	F04
			83500-LAC5-900	5	F08	90105-LAC5-900	4	F05
<b>64000</b>			83551-KKAK-900	0	F08	90301-LAC5-001	1	F02
			83600-LAC5-900	7	F08	90301-LAC5-671	1	F02
64302-LAC5-900	5	F02	83751-LAC5-900	1	F08	90302-GFY6-911	1	F01
64310-LAC5-900	5	F02				90302-KEC8-910	1	F01
64311-LAC5-900	3	F02	<b>86000</b>			90302-LAC5-004	1	F01
64316-LAC5-900	2	F02				90302-LAC5-004	1	F02
64320-LAC5-900	2	F02	86020-LAC5-E20	1	F13	90304-GHE8-004	0	F11
64330-LAC5-900	4	F02	86102-LAC5-E21	1	F13	90306-GLW0-90A	1	E01
			86444-LAC5-900	9	F13	90306-GLW0-90A	1	F05

## PART NO. INDEX

PART NO.	VERSION	PAGE	PART NO.	VERSION	PAGE	PART NO.	VERSION	PAGE
90309-GLW0-90A	1	F01	94021-08020-0S	0	F05	96211-05000	26	F03
90309-GLW0-90A	1	F03	94050-06080-G	1	F08	96600-06060-07	1	E01
			94050-08060	0	F11	96700-LCA1-E00	2	F11
<b>93000</b>			94050-08080-G	1	E01	<b>98000</b>		
			94050-08080-G	1	F01			
93500-04010-0F	0	F01	94101-06800-G	1	F11			
93500-04012-0HG	0	F11	94111-08800	0	F03	98200-31000	1	F10
93600-02008-0A	0	F10	94111-08800	0	F04	98200-34000	0	F10
93891-04012-06	0	E01	94111-08800	0	F05			
93901-32310	0	F09	94111-08800	0	F11			
93903-14380-G	0	F02	94201-16150	0	F11			
93903-25460	0	F10	94251-08400	0	F11			
93903-34380-G	0	F01	94510-19000	0	E01			
93903-34380-G	0	F02	<b>95000</b>					
93903-34380-G	0	F08						
93903-34380-G	0	F09						
<b>94000</b>			95701-06012-06	1	F08			
			95801-08035-06	1	F01			
			95801-08045-08G	0	F01			
94001-06080-0SG	0	F04	95801-10080-06	0	F11			
94001-06080-0SG	0	F11	95801-10085-06	1	F11			
94001-08080-0S	0	F03	<b>96000</b>					
94001-08080-0S	0	F11						
94001-LAC5-900	2	F03						
94001-LAC5-900	2	F11	96001-06035-06	0	F10			
94021-08020-0S	0	F04	96120-62020-00	0	F04			