

PARTS CATALOGUE



MOBILITY SCOOTER

EV10EA(UK)

Strider



Release Date : 2016/03/21
Print Date : 2019/11/04

ABOUT THIS PARTS LIST

- This parts list is compiled all service parts for model EV10EA(UK).
- Any difference between color chart and motorcycle will be revised according to motorcycle.
- The Mark:
 1. Marking "***" must add color code in the end before ordering parts.
 2. Marking "#" are parts with modification, Please find the details from e-Parts system.
- When modification or additions to this parts list are made a revised edition at an appropriate time.



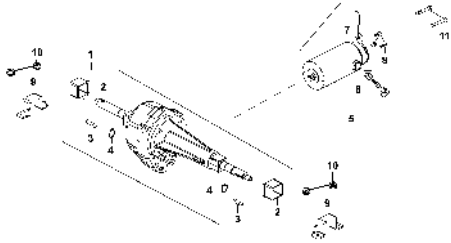
CONTENTS

● ABOUT THIS PARTS LIST	1
● COLOR CHART OF EV10EA(UK)	3
● CONTENTS-ENGINE GROUP	4
● CONTENTS-FRAME GROUP	5
● ENGINE PARTS LIST	7
● FRAME PARTS LIST	9
● PART NO. INDEX	37

NO	MODEL			COLOR CHART OF EV10EA(UK)			
	PHOTO NO			NO. 1	NO. 2	NO. 3	
	BASIC COLOR			Deep Blue Metallic	Burgundy	Dark Red	
	CODE			Deep Blue Metallic	Burgundy	Dark Red	
	PARTS NAME	PARTS NO.	VERSION	PB183MA	RR132MA	RR132MA	
1	OBSOLETE	53205-LAE9-E00	0	BHP	R7P		
2	COVER RR HANDLE	53206-LAE9-E00	9				
3	PANEL FLOOR	64310-LAE9-E00	2				
4	COVER BODY	83600-LAE9-E00	3				
5	MAT FLOOR	64320-LAE9-E00	2	N1R			
6	COVER BATTERY/12AH	50326-LAE9-E00	2	N8P			
7	EMB DMA STRIDER	86020-LAC5-E20	1	T01			
8	EMB DMA-LOGO 15MM	86102-LAC5-E20	1				
9	STRIPE METER	86407-LAE9-E00	2				
10	USE CAUTION	87501-LAE9-E00	3				
11	CAUTION LOCK	87541-LAE9-E00	1				
12	MARK R DRIVE	87560-LAE9-E00	3				
13	MARK L DRIVE CAUTION	87660-LAE9-E00	3				
DATE OF STARTING-SALES				2004-03-16	2004-03-16	2004-03-16	
DATE OF END-SALES							

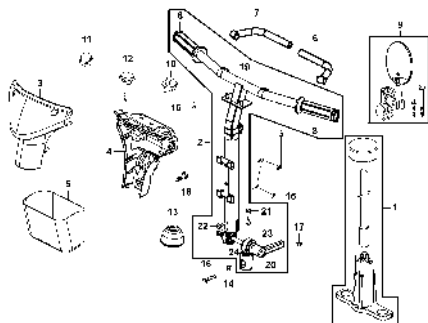
CONTENTS - ENGINE GROUP

E01 Motor

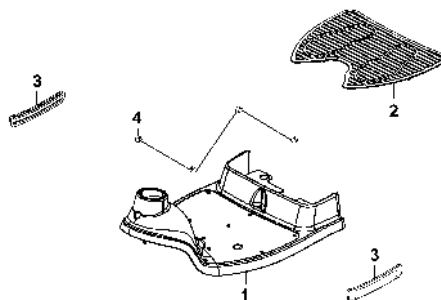


CONTENTS - FRAME GROUP

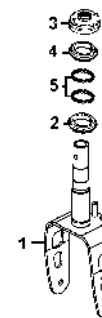
F01 Handle Steering



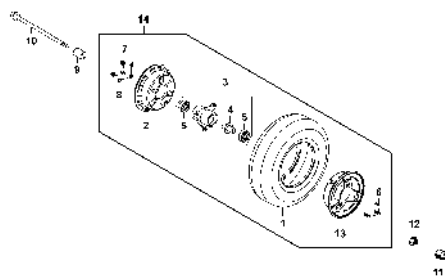
F02 Floor



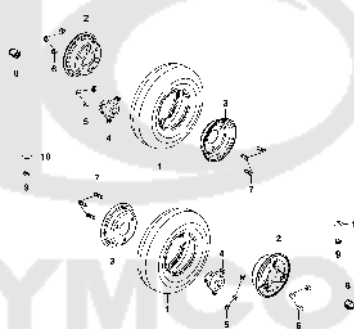
F03 Steering Stem



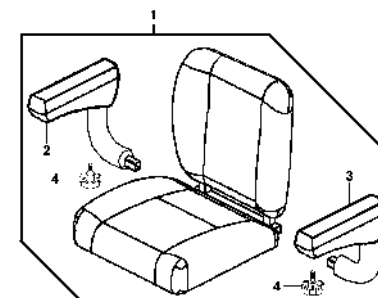
F04 Front Wheel



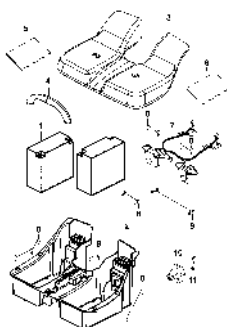
F05 Rear Wheel



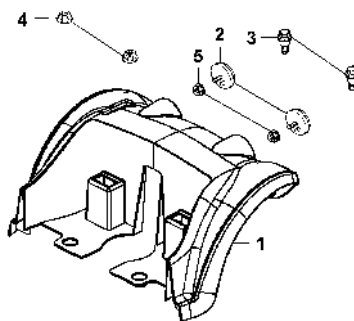
F06 Seat



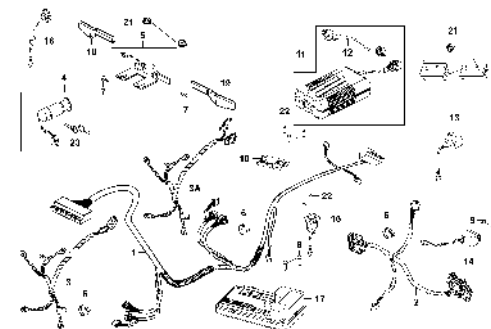
F07 Battery



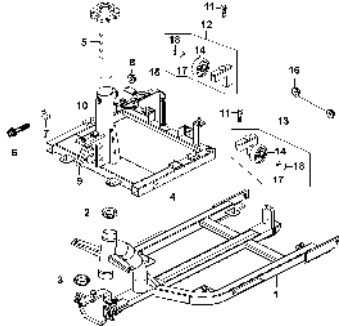
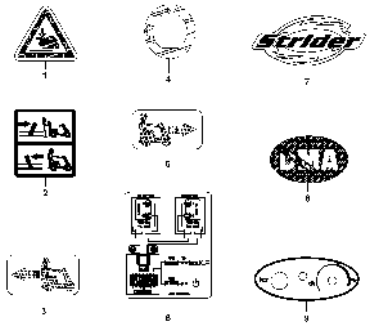
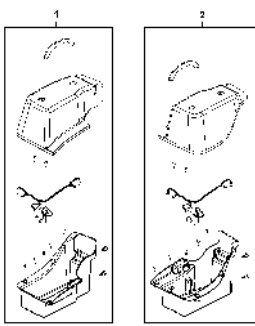

F08 Body Cover



F09 Harness Wire

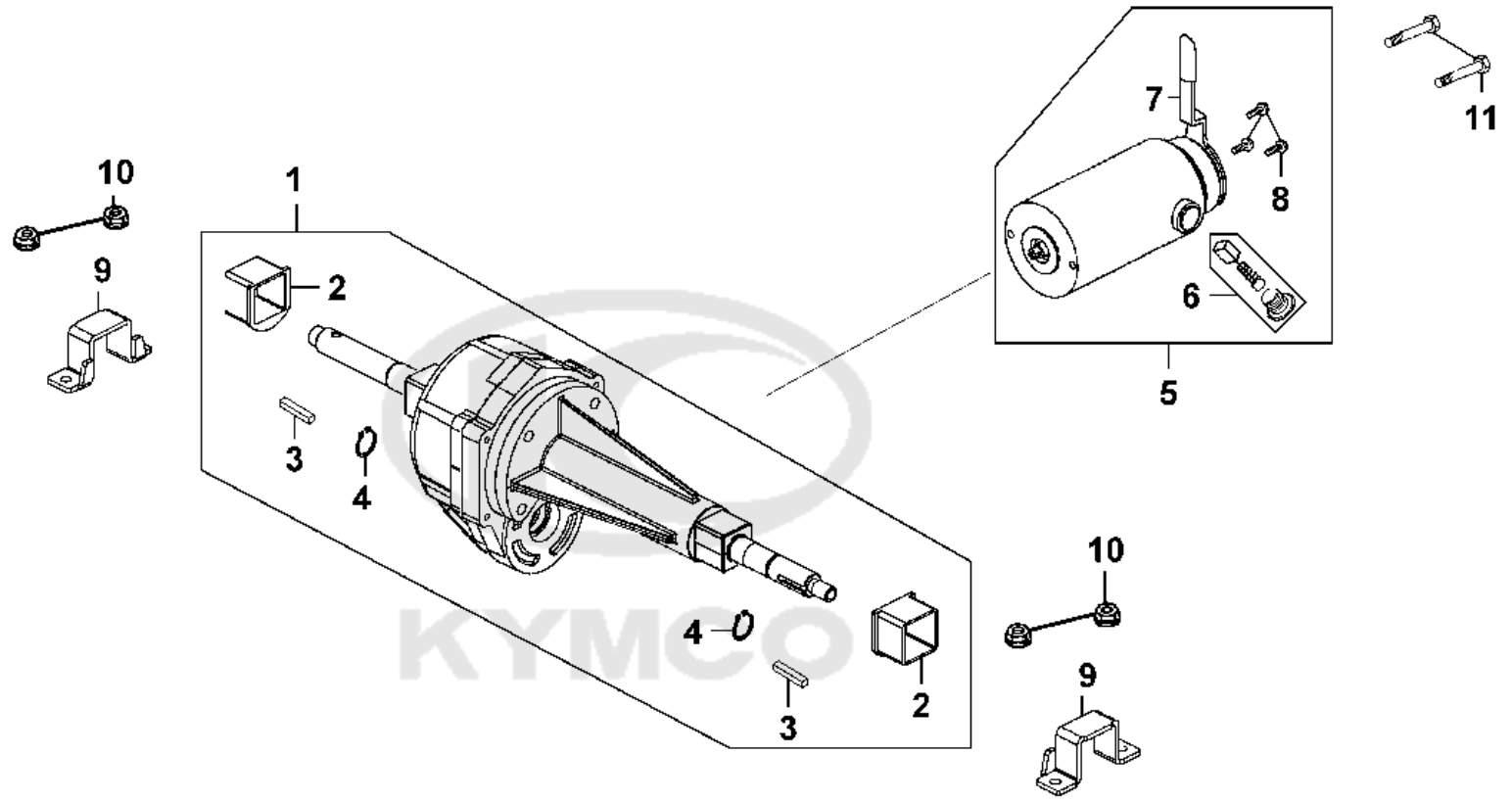


CONTENTS - FRAME GROUP

F10 Frame Body	F11 Caution Label	F12 Option Parts
		
		

E01

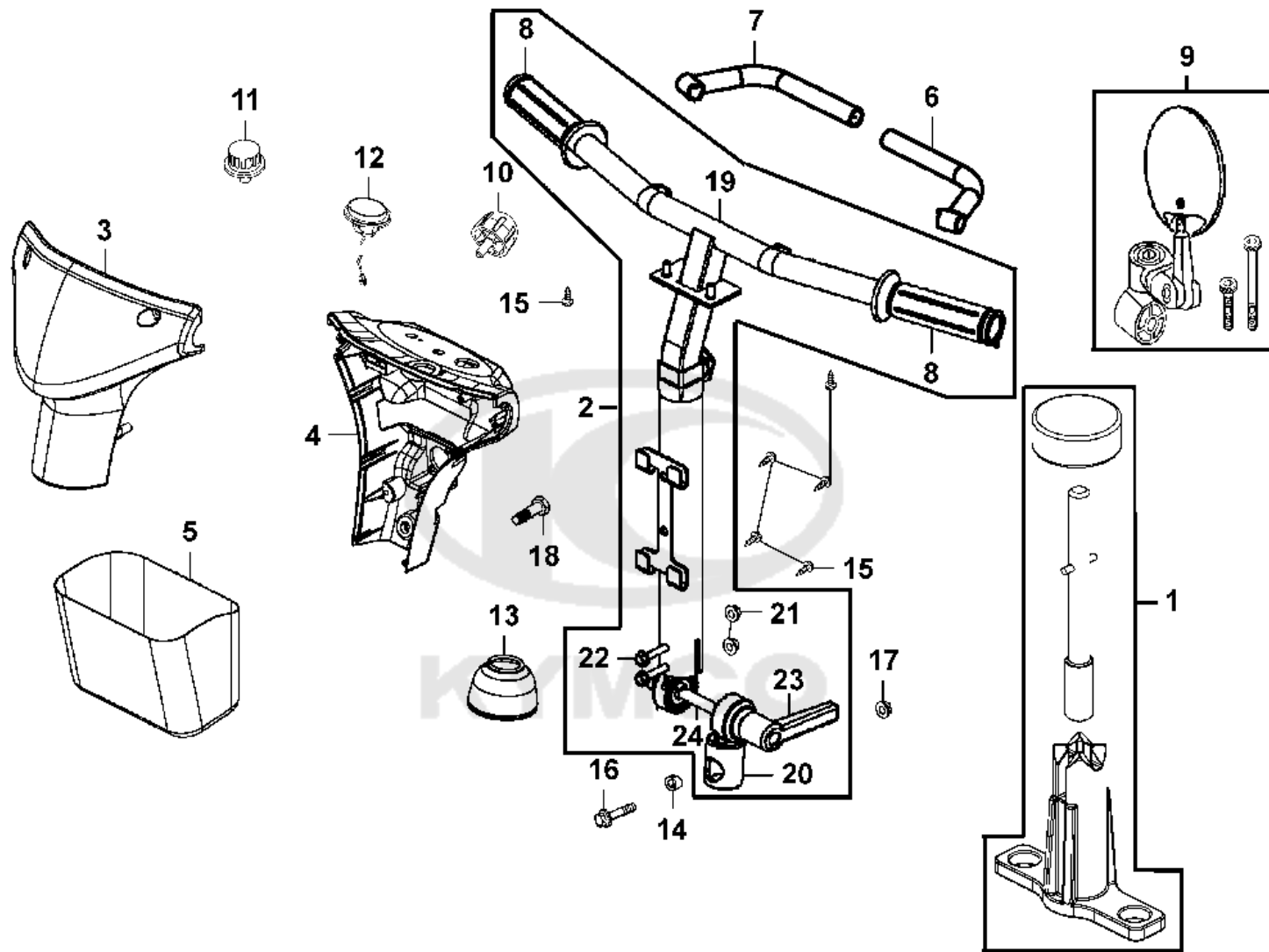
Motor



Sales mark	Ref no	Part no	Description	Reg description	Regd no	Ref Price	E01
1		1110A-LAE9-E00	Obsolete	Obsolete	1		
2		11302-LAC5-900	RUBBER	RUBBER	2	6.50	
3		13331-LAC5-900	KEY 4.8*4.8*30	KEY 4.8*4.8*30	2	3.25	
5		31300-LAE9-E00	ORDER 31300-LAE9-C00	ORDER 31300-LAE9-C00	1	150.00	
6		31340-LAC5-900	BRUSH ASSY	BRUSH ASSY	1	7.00	
7		31350-LAC5-900	BRAKE ASSY	BRAKE ASSY	1	52.00	
9		50350-LDB4-900	CONNECTOR MISSION	CONNECTOR MISSION	1	5.20	
8		93891-04012-06	SCREW WASHER 4*12	SCREW WASHER 4*12	1	0.13	
10		94050-08080-G	NUT FLANGE 8MM (C)	NUT FLANGE 8MM (C)	4	0.49	
4		94510-19000	CIRCLIP EX 1.9	CIRCLIP EX 1.9	2	2.12	
11		96600-06060-07	SOCKET BOLT 6*60	SOCKET BOLT 6*60	2	3.25	

F01

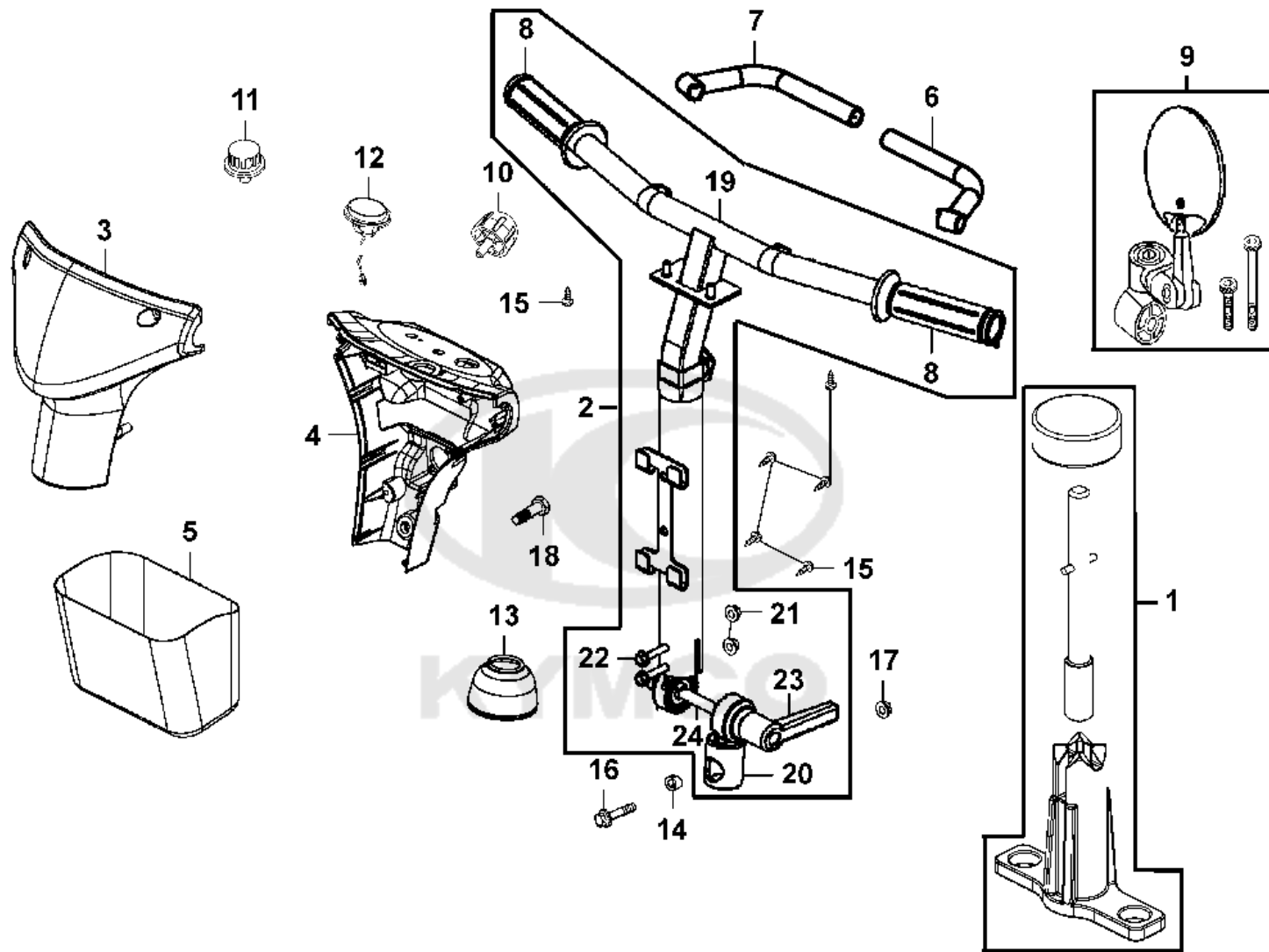
Handle Steering



Sales mark	Ref no	Part no	Description	Reg description	Regd no	Ref Price	F01
	11	35110-LAC5-900	SPEED KNOB ALT 35110-LHD7-900	SPEED KNOB ALT 35110-LHD7-900	1	5.20	
	12	35180-LAC5-900	SW UNIT HORN **(2) C.2007.02.05	SW UNIT HORN **(2) C.2007.02.05	1	6.50	
	1	5010A-LAE9-E00	Obsolete	Obsolete	1		
	5	50150-LAE9-E00	ORDER 50150-LHD7-900	ORDER 50150-LHD7-900	1	16.25	
	19	53100-LAE9-E00	Obsolete	Obsolete	1		
	20	53102-LCA1-E00	Obsolete	Obsolete	1		
	6	5310A-LAC5-900	DELTA HANDLE	DELTA HANDLE	1	10.08	
	7	5310B-LAC5-900	Obsolete	Obsolete	1		
	2	5310C-LAE9-E00	Obsolete	Obsolete	1		
	23	53111-LAE9-E00	Obsolete	Obsolete	1		
	24	53112-LAE9-E00	Obsolete	Obsolete	1		
	14	53125-LAC5-900	COLLAR HANDLE SET	COLLAR HANDLE SET	1	3.25	
	8	53166-LAE9-E00	HAND GRIP	HAND GRIP	2	3.25	
**	3	53205-LAE9-E00	FRONT TILLER COVER- MINI RANGE-	FRONT TILLER COVER- MINI RANGE-	1	22.75	
**	4	53206-LAE9-E00	Obsolete ALT	Obsolete ALT	1		
	13	53209-LAE9-E00	Obsolete	Obsolete	1	6.00	
	9	88120-LAC5-910	MIRROR ASSY BACK	MIRROR ASSY BACK	1	16.25	
	10	88130-LAC5-900	CAP HANDLE PIPE	CAP HANDLE PIPE	1	5.00	
	18	90302-LLB1-E00	BOLT WASHER 5*12 **(1) C.2005.06.28	BOLT WASHER 5*12 **(1) C.2005.06.28	1	0.68	
	15	93903-34380-G	SCREW TAPPING 4x12	SCREW TAPPING 4x12	1	3.25	

F01

Handle Steering

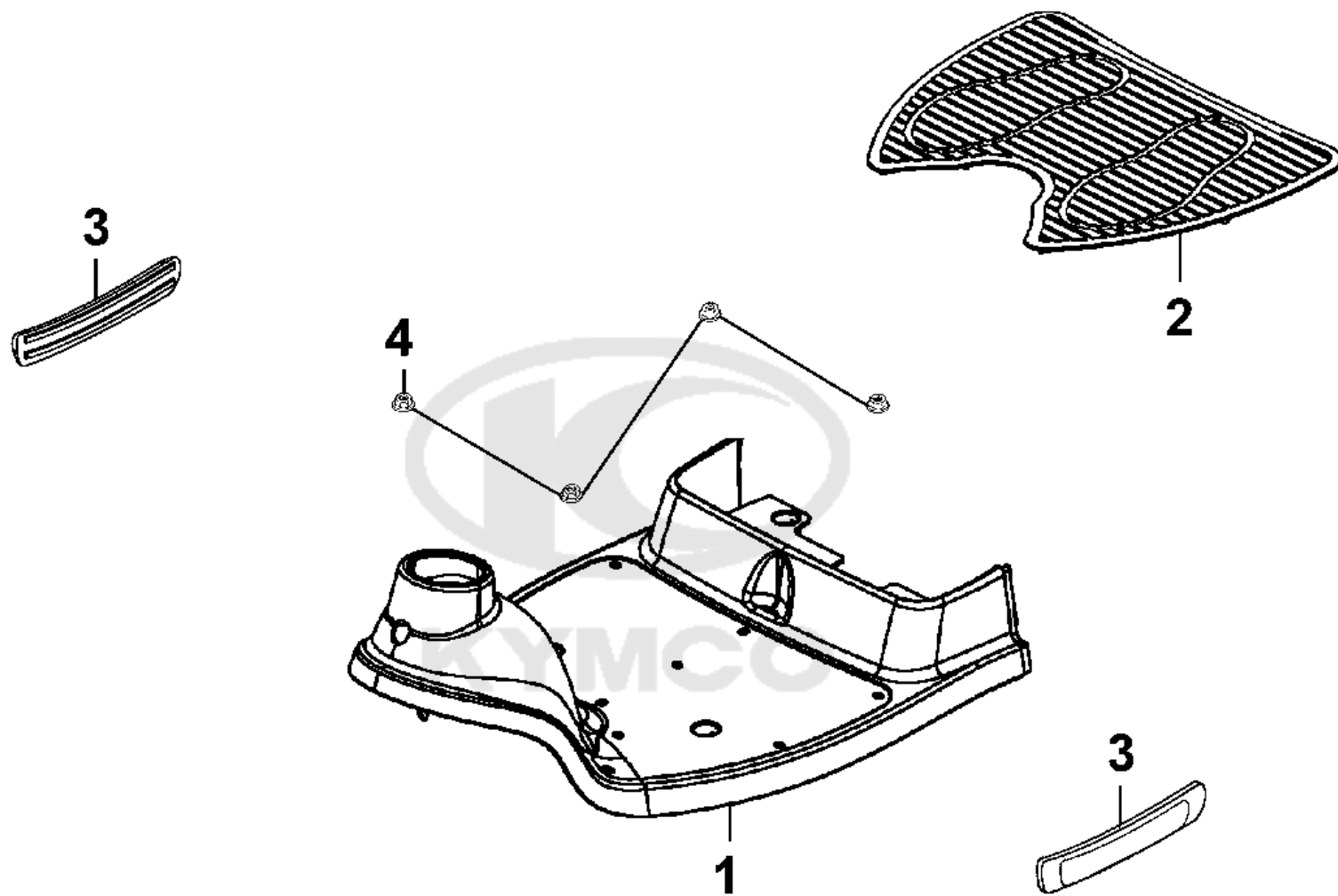


Sales mark	Ref no	Part no	Description	Reg description	Regd no	Ref Price	F01
21		94050-06060	NUT FLANGE 6MM	NUT FLANGE 6MM	2	0.49	
17		94050-08080-G	NUT FLANGE 8MM (C)	NUT FLANGE 8MM (C)	1	0.49	
22		95701-06045-07	BOLT FLANGE 6*45	BOLT FLANGE 6*45	2		
16		95701-08045-06	BOLT FLANGE 6*45	BOLT FLANGE 6*45	1	0.52	



F02

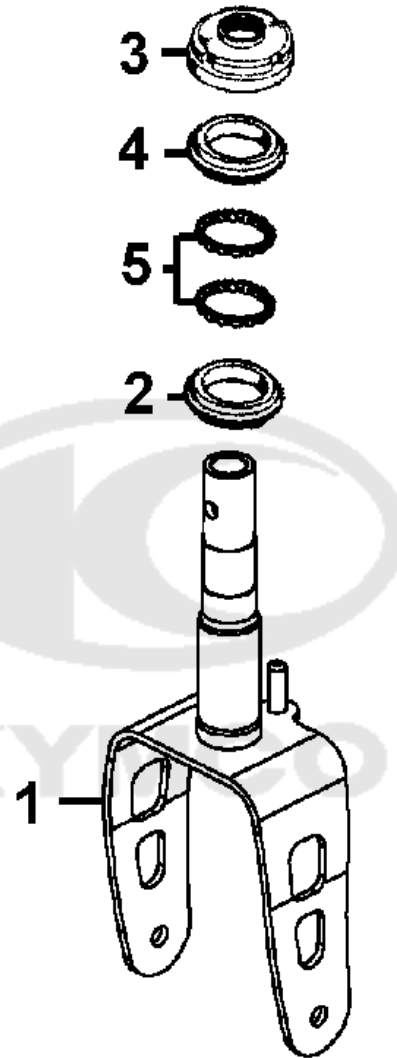
Floor



Sales mark	Ref no	Part no	Description	Reg description	Regd no	Ref Price	F02
------------	--------	---------	-------------	-----------------	---------	-----------	-----

**	1	64310-LAE9-E00	Obsolete	Obsolete	1		
	3	64311-LAE9-E00	Obsolete	Obsolete	2		
**	2	64320-LAE9-E00	Obsolete	Obsolete	1		
	4	90301-LAC5-671	NUT FLANGE 6MM	NUT FLANGE 6MM	6	3.25	





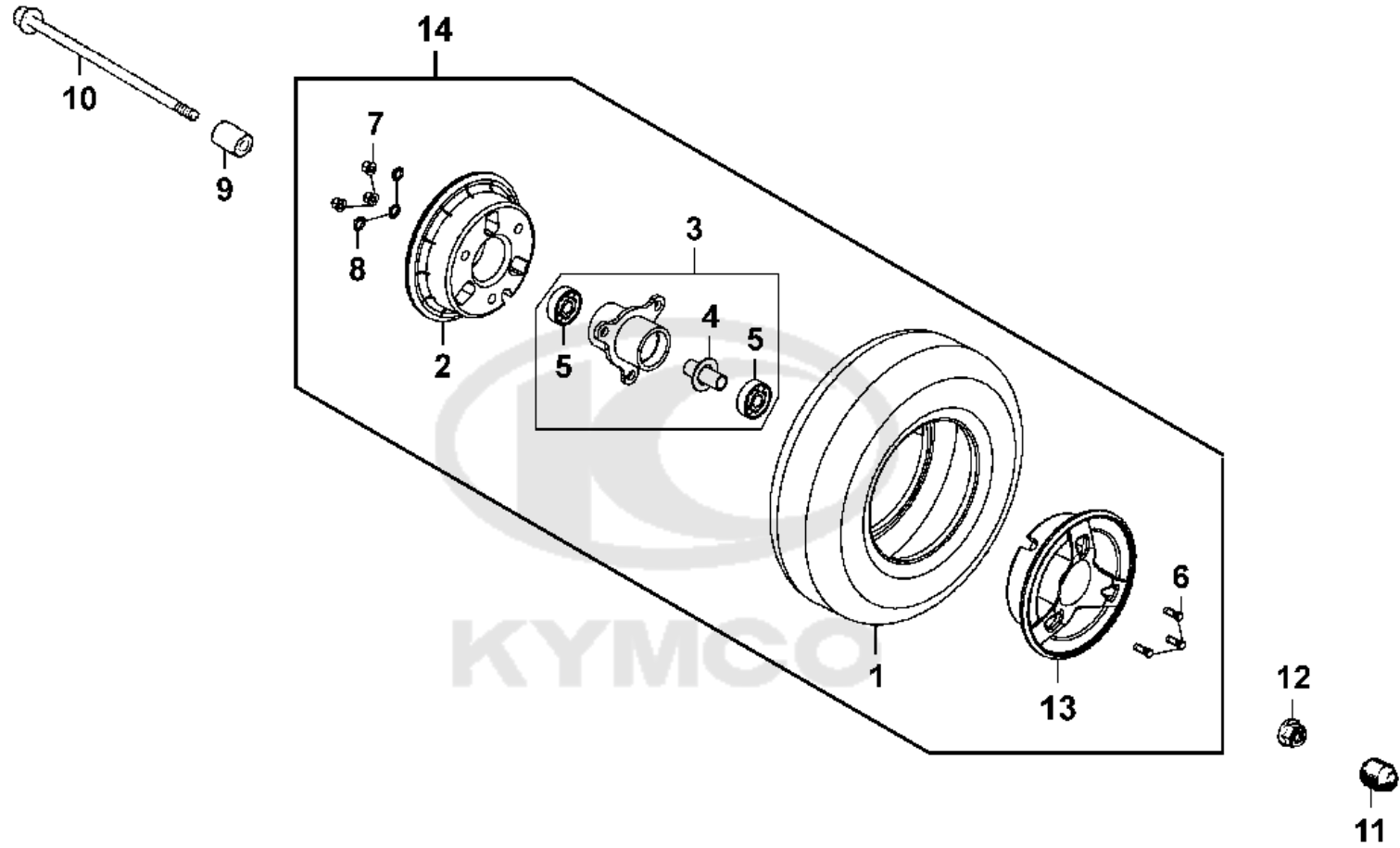
Sales mark	Ref no	Part no	Description	Reg description	Regd no	Ref Price	F03
------------	--------	---------	-------------	-----------------	---------	-----------	------------

3		50306-1F96-001	NUT STRG STEM LOCK	NUT STRG STEM LOCK	1	1.18	
1		53200-LAE9-700	Obsolete	Obsolete	1		
1		53200-LAE9-E00	STEM COMP STRG	STEM COMP STRG	1		
4		53211-GFY6-940	RACE STRG TOP CONE **GY6-9400	RACE STRG TOP CONE **GY6-9400	1	1.87	
2		53212-LDB4-004	ORDER 53212-GHC8-004	ORDER 53212-GHC8-004	1	3.25	
5		96211-05000	BALL BEARING PACK OF 100	BALL BEARING PACK OF 100	55	3.25	



F04

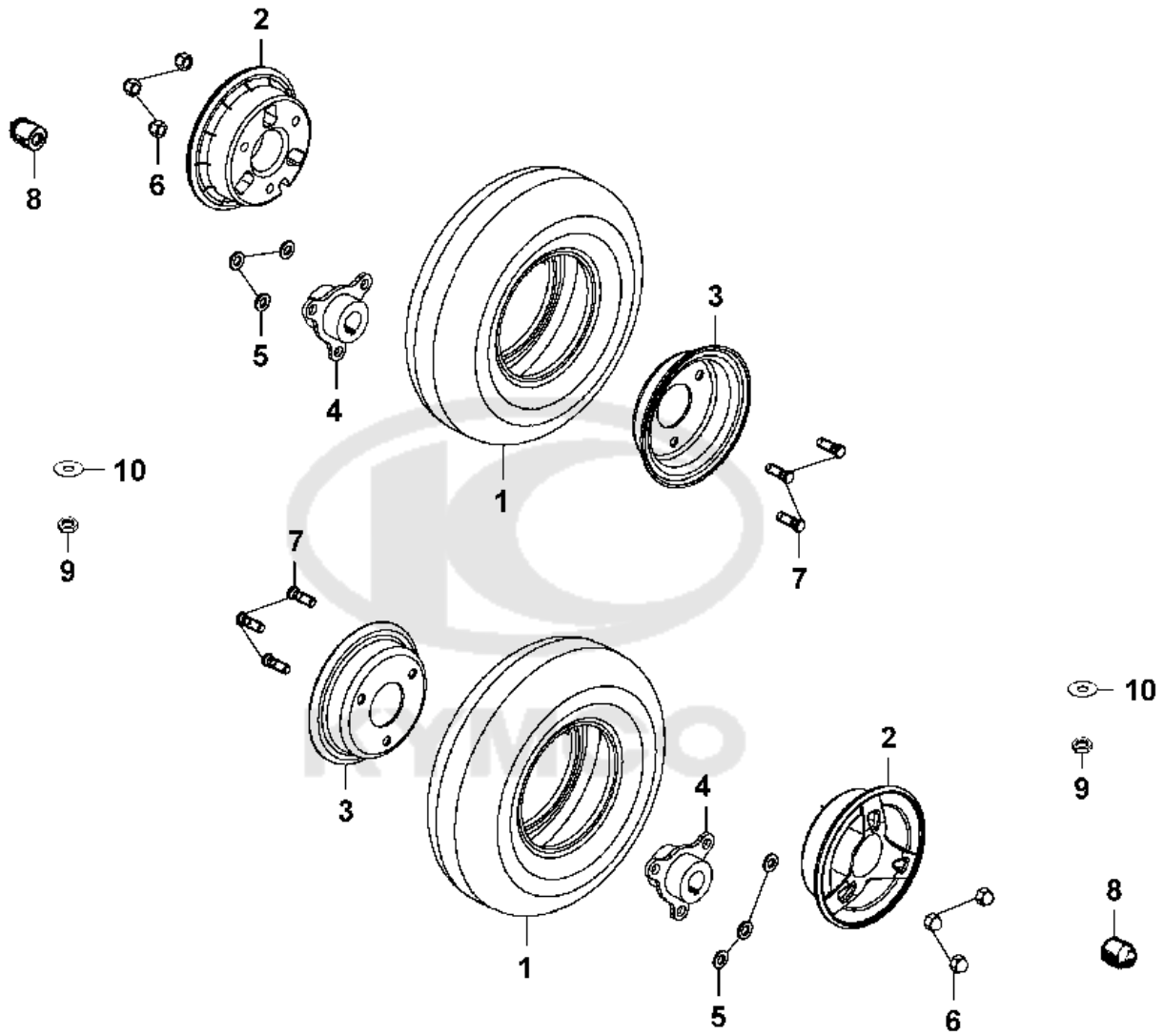
Front Wheel



Sales mark	Ref no	Part no	Description	Reg description	Regd no	Ref Price	F04
	10	44301-LAE9-E00	BOLT FLANGE 10*125	BOLT FLANGE 10*125	1		
	9	44311-LAE9-E00	Obsolete	Obsolete	1		
	11	44315-LAC5-900	CAP FR AXLE **(0) C.2003.10.22	CAP FR AXLE **(0) C.2003.10.22	1	3.25	
	14	44600-LAE9-900	Obsolete	Obsolete	2		
	4	44620-LBB6-900	DIST COLLAR **(0) C.2005.08.02	DIST COLLAR **(0) C.2005.08.02	1		
	3	44650-LBB6-900	CONNECTOR ASSY **(0) C.2005.08.02	CONNECTOR ASSY **(0) C.2005.08.02	1		
	13	44701-LAC5-900	RIM CAST FR	RIM CAST FR	2	13.00	
	2	44701-LBB6-900	RIM COMP FR **(2) C.V.	RIM COMP FR **(2) C.V.	2	13.00	
	1	44710-LAE9-900	TIRE ASSY FR/2.80/2.50-4 /KENDA	TIRE ASSY FR/2.80/2.50-4 /KENDA	1		
	12	90304-GHE8-004	NUT U 10MM **GE8-0040 C.2005.03.01	NUT U 10MM **GE8-0040 C.2005.03.01	1	0.68	
	7	94021-08070-0S	NUT HEX CAP 8MM	NUT HEX CAP 8MM	3	3.25	
	8	94111-08800	WASHER SPRING 8MM	WASHER SPRING 8MM	3	0.33	
	6	95801-08025-08	BOLT FLANGE 8*25	BOLT FLANGE 8*25	3		
	5	96130-62000-00	BEARING 6200ZZ	BEARING 6200ZZ	2		

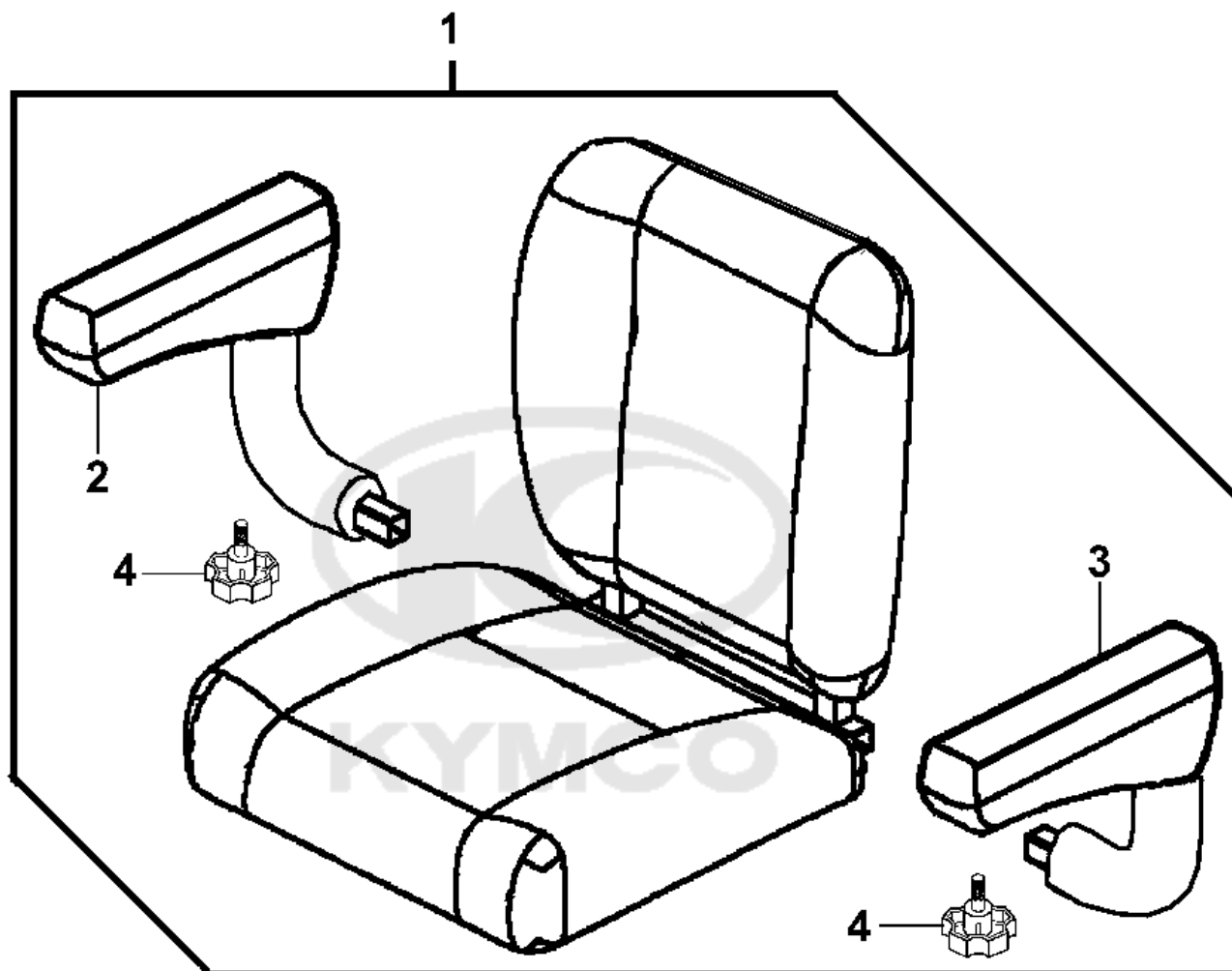
F05

Rear Wheel



Sales mark	Ref no	Part no	Description	Reg description	Regd no	Ref Price	F05
8		42315-LAC5-900	CAP RR AXLE **(0) C.2003.10.22	CAP RR AXLE **(0) C.2003.10.22	2	3.25	
3		42702-LAE9-E00	RIM COMP RR	RIM COMP RR	2	5.53	
10		42705-LAC5-900	WASHER 12MM RR WHEEL	WASHER 12MM RR WHEEL	2	3.25	
4		42707-LAE9-E00	CONNECTOR RR WHEEL	CONNECTOR RR WHEEL	2	5.20	
2		44701-LBB6-900	RIM COMP FR **(2) C.V.	RIM COMP FR **(2) C.V.	2	13.00	
1		44710-LAE9-900	TIRE ASSY FR/2.80/2.50-4 /KENDA	TIRE ASSY FR/2.80/2.50-4 /KENDA	2		
9		90306-GLW0-90A	NUT FLANGE 12MM **(0) C.2009.03.05	NUT FLANGE 12MM **(0) C.2009.03.05	1	0.85	
6		94021-08070-0S	NUT HEX CAP 8MM	NUT HEX CAP 8MM	6	3.25	
5		94111-08800	WASHER SPRING 8MM	WASHER SPRING 8MM	6	0.33	
7		95701-08022-00	BOLT FLANGE 8X22	BOLT FLANGE 8X22	6		





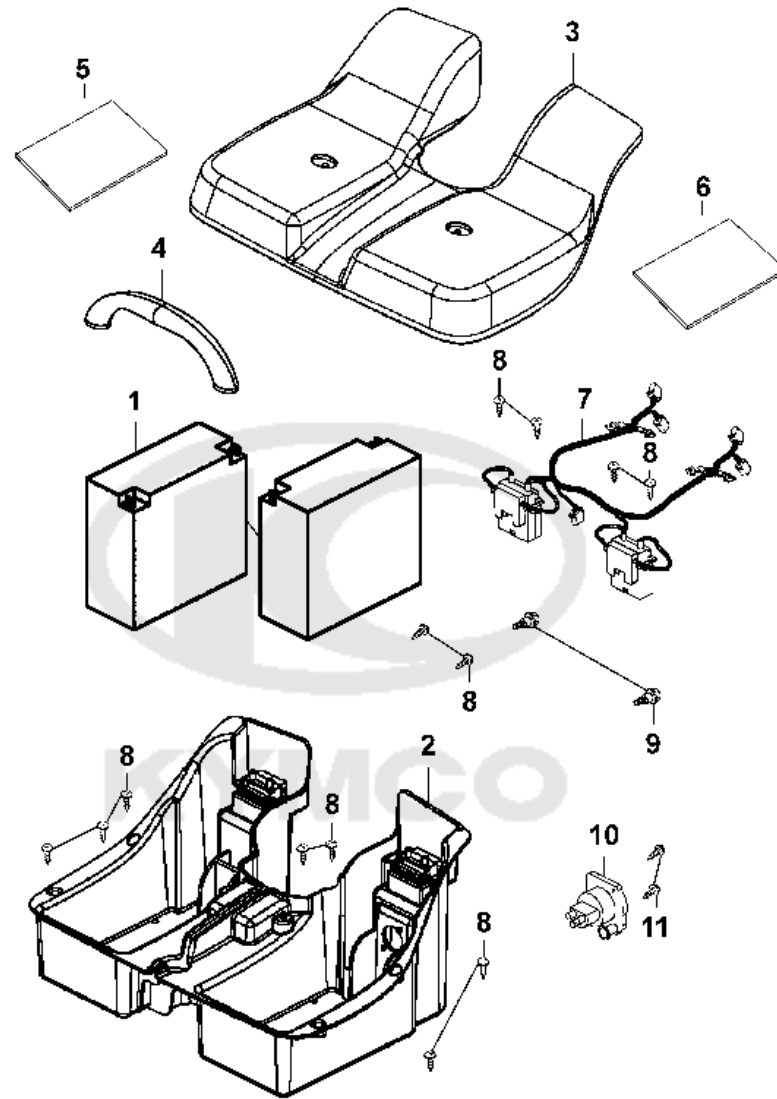
Sales mark	Ref no	Part no	Description	Reg description	Regd no	Ref Price	F06
------------	--------	---------	-------------	-----------------	---------	-----------	-----

	2	77100-LAE9-E00	Obsolete	Obsolete	1		
	1	77200-LAE9-E00	Obsolete	Obsolete	1		
	4	77223-LAC5-305	BOLT LOCK ARM REST	BOLT LOCK ARM REST	2	3.25	
	3	77300-LAE9-E00	Obsolete	Obsolete	1		



F07

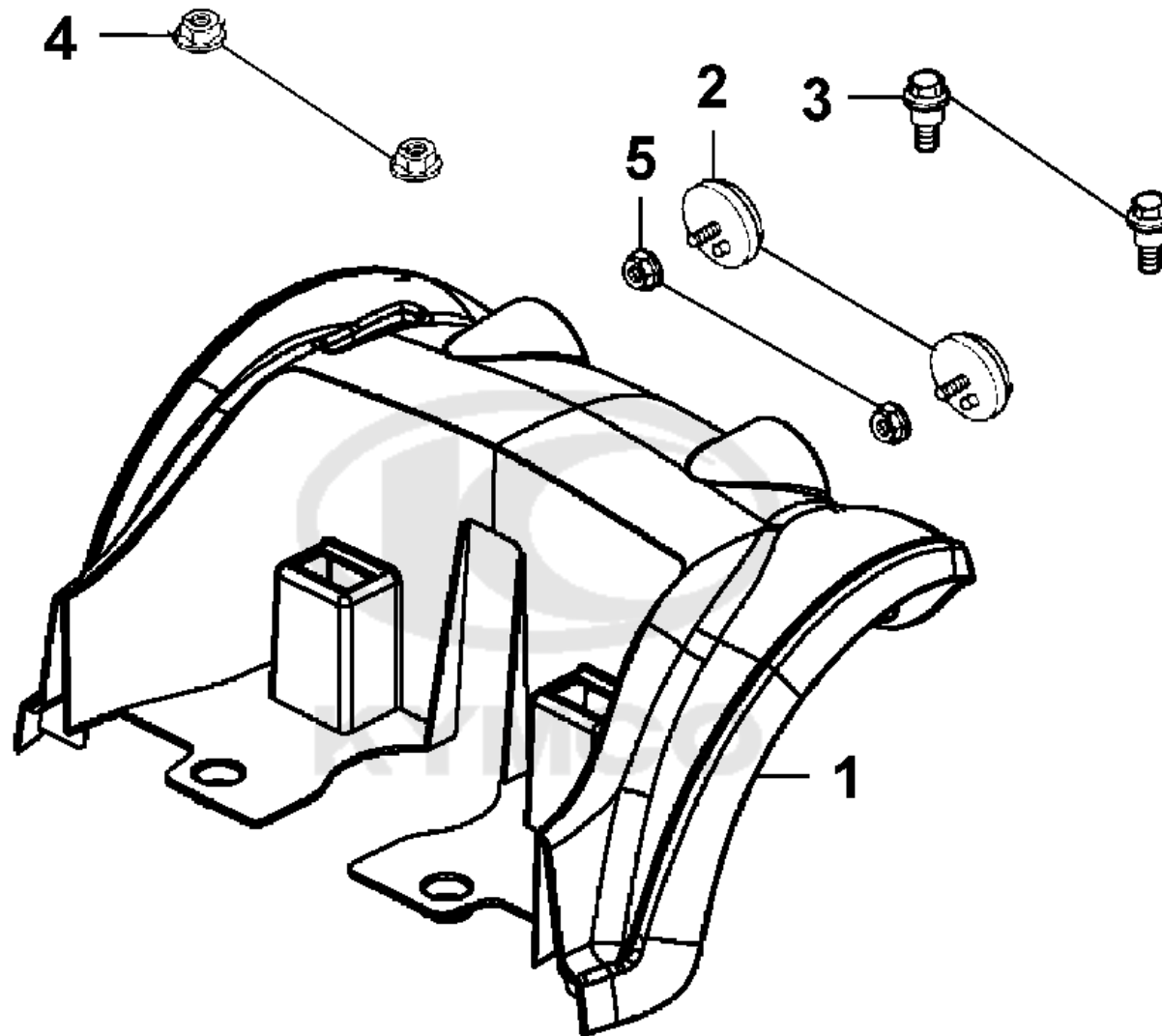
Battery



Sales mark	Ref no	Part no	Description	Reg description	Regd no	Ref Price	F07
	1	31500-LAE9-E0A	BATTERY 12V 12AH/YUASA **(0)	BATTERY 12V 12AH/YUASA **(0)	2		
	7	32201-LAE9-E00	Obsolete	Obsolete	2		
	10	32620-LAE9-E00	SOCKET CHARGER	SOCKET CHARGER	1	8.45	
	2	50325-LAE9-E00	Obsolete	Obsolete	1		
**	3	50326-LAE9-E00	Obsolete	Obsolete	1		
	4	50329-LAE9-E00	GRIP ALT 50329-LAE9-E01	GRIP ALT 50329-LAE9-E01	1		
	5	50331-LAE9-E00	DUAL LOCK M	DUAL LOCK M	1	3.25	
	6	50332-LAE9-E00	DUAL LOCK F **(0) C.2005.03.01	DUAL LOCK F **(0) C.2005.03.01	1		
	9	90302-GFY6-911	BOLT-WASH 5*12	BOLT-WASH 5*12	2	3.25	
	11	93600-02008-0A	SCREW FLAT 2.5*8	SCREW FLAT 2.5*8	2	3.25	
	8	93903-GFY6-910	BOLT-WASH 5*12	BOLT-WASH 5*12	2	3.25	

F08

Body Cover



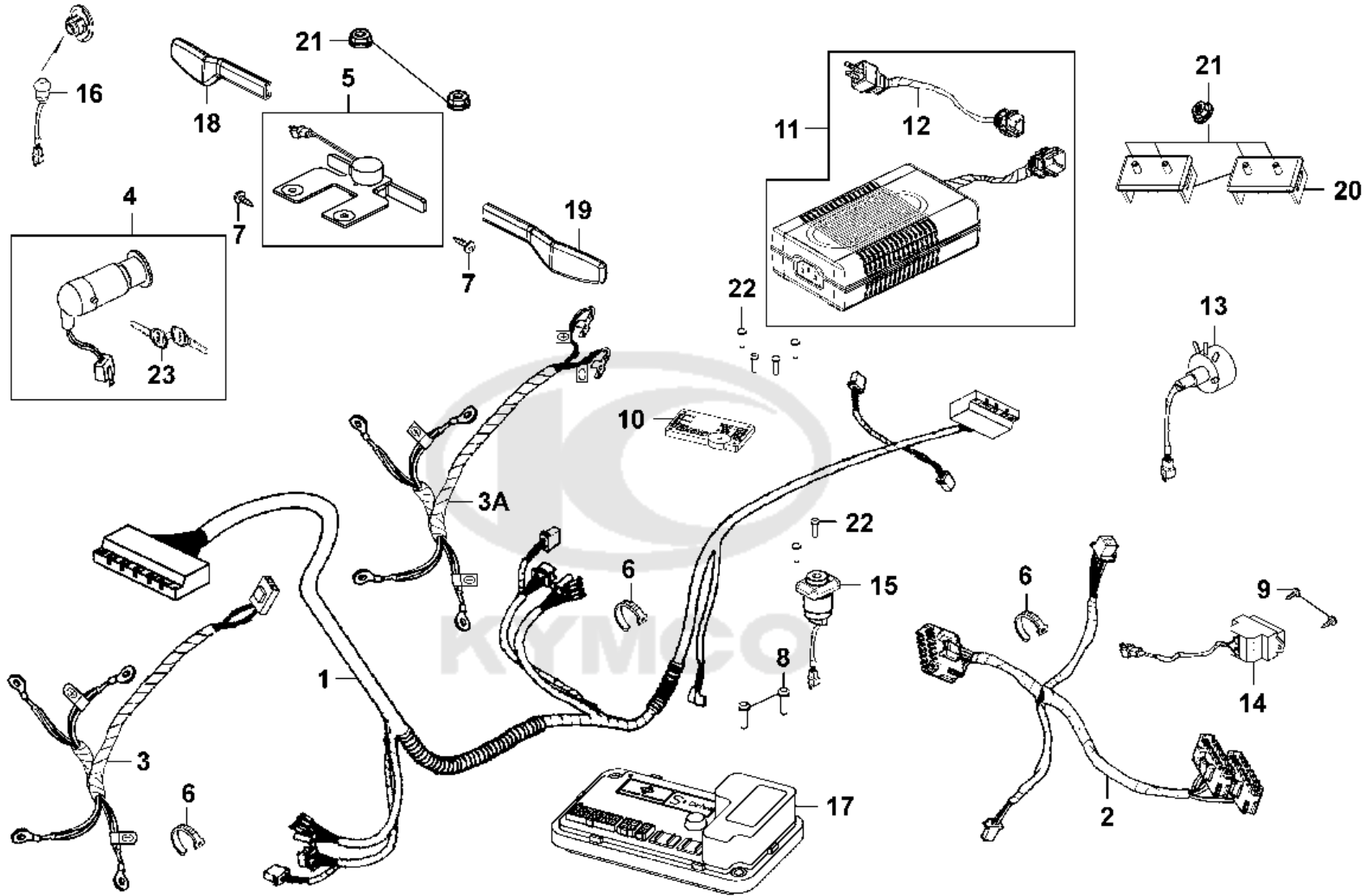
Sales mark	Ref no	Part no	Description	Reg description	Regd no	Ref Price	F08
------------	--------	---------	-------------	-----------------	---------	-----------	-----

	2	33731-KFA6-M00	USE 33731-KFA6-C00	USE 33731-KFA6-C00	2	3.25	
**	1	83600-LAE9-E00	Obsolete	Obsolete	1		
	4	90301-LAC5-671	NUT FLANGE 6MM	NUT FLANGE 6MM	6	3.25	
	3	90302-LLB1-E00	BOLT WASHER 5*12 **(1) C.2005.06.28	BOLT WASHER 5*12 **(1) C.2005.06.28	2	0.68	
	5	94050-06080-G	NUT FLANGE 6MM	NUT FLANGE 6MM	2	0.49	



F09

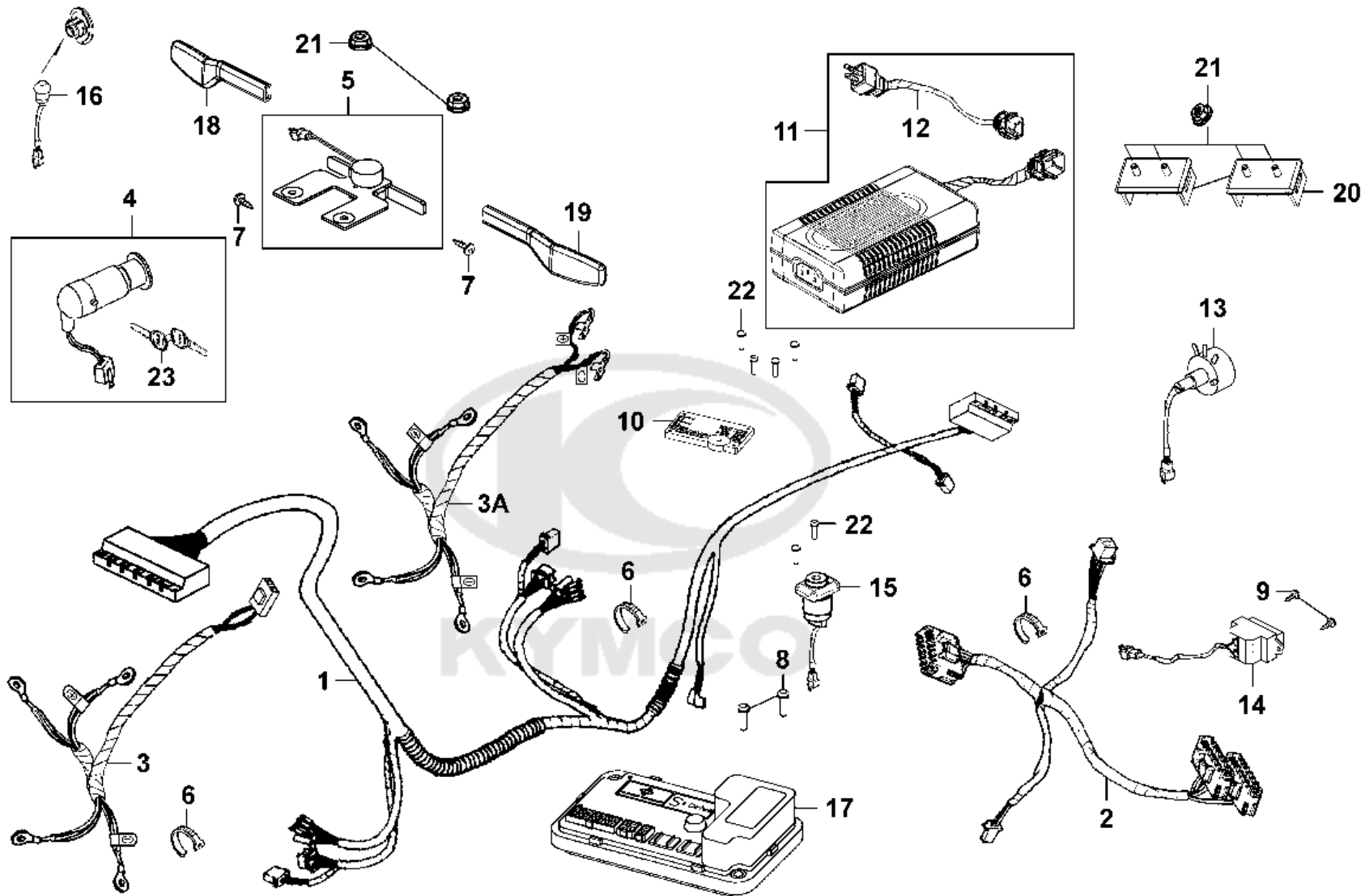
Harness Wire



Sales mark	Ref no	Part no	Description	Reg description	Regd no	Ref Price	F09
	12	31280-LAC5-E20	CORD AC POWER	CORD AC POWER	1	6.50	
	11	31800-LAE9-E20	BATTERY CHARGER ASSY	BATTERY CHARGER ASSY	1	70.00	
	1	32100-LAE9-E00	Obsolete	Obsolete	1	19.50	
	2	32101-LAE9-E00	SUB HARNESS A	SUB HARNESS A	1	9.75	
	3	32404-LAE9-305	Obsolete	Obsolete	1		
	3A	32404-LAE9-E00	POWER CORD	POWER CORD	1	11.70	
	20	32610-LAE9-E00	COUPLER M BATTERY	COUPLER M BATTERY	2	13.00	
	15	32620-LAE9-E01	SOCKET CHARGER	SOCKET CHARGER	1	8.45	
	5	34010-LAC5-900	THROTTLE	THROTTLE	1	39.00	
	4	35101-LAE9-E00	AIT 35101-LAE9-E01	AIT 35101-LAE9-E01	1	16.25	
	23	35111-LAE9-900	ALT 35111-LAE9-E01	ALT 35111-LAE9-E01	2	5.85	
	13	35115-LAE9-E00	VARIABLE RESISTER 25K OHM	VARIABLE RESISTER 25K OHM	1	13.00	
	17	36000-LAE9-E00	Obsolete	Obsolete	1		
	10	36100-LAE9-E00	CONTROL METER	CONTROL METER	1		
	18	36108-LAE9-E01	LEVER RH THROTTLE **(0)	LEVER RH THROTTLE **(0) C.2005.03.01	1		
	19	36109-LAE9-E01	LEVER LH THROTTLE **(0)	LEVER LH THROTTLE **(0) C.2005.03.01	1		
	16	36110-LAE9-E00	LED	LED	1	3.25	
	14	37806-LAE9-E00	VU METER	VU METER	1	16.25	
	6	90656-KCBC-900	BAND OIL HANDLE **9000 C.2005.03.01	BAND OIL HANDLE **9000 C.2005.03.01	3	0.50	
	8	93500-04025-0F	SCREW PAN 4*25 (G)	SCREW PAN 4*25 (G)	1	0.25	

F09

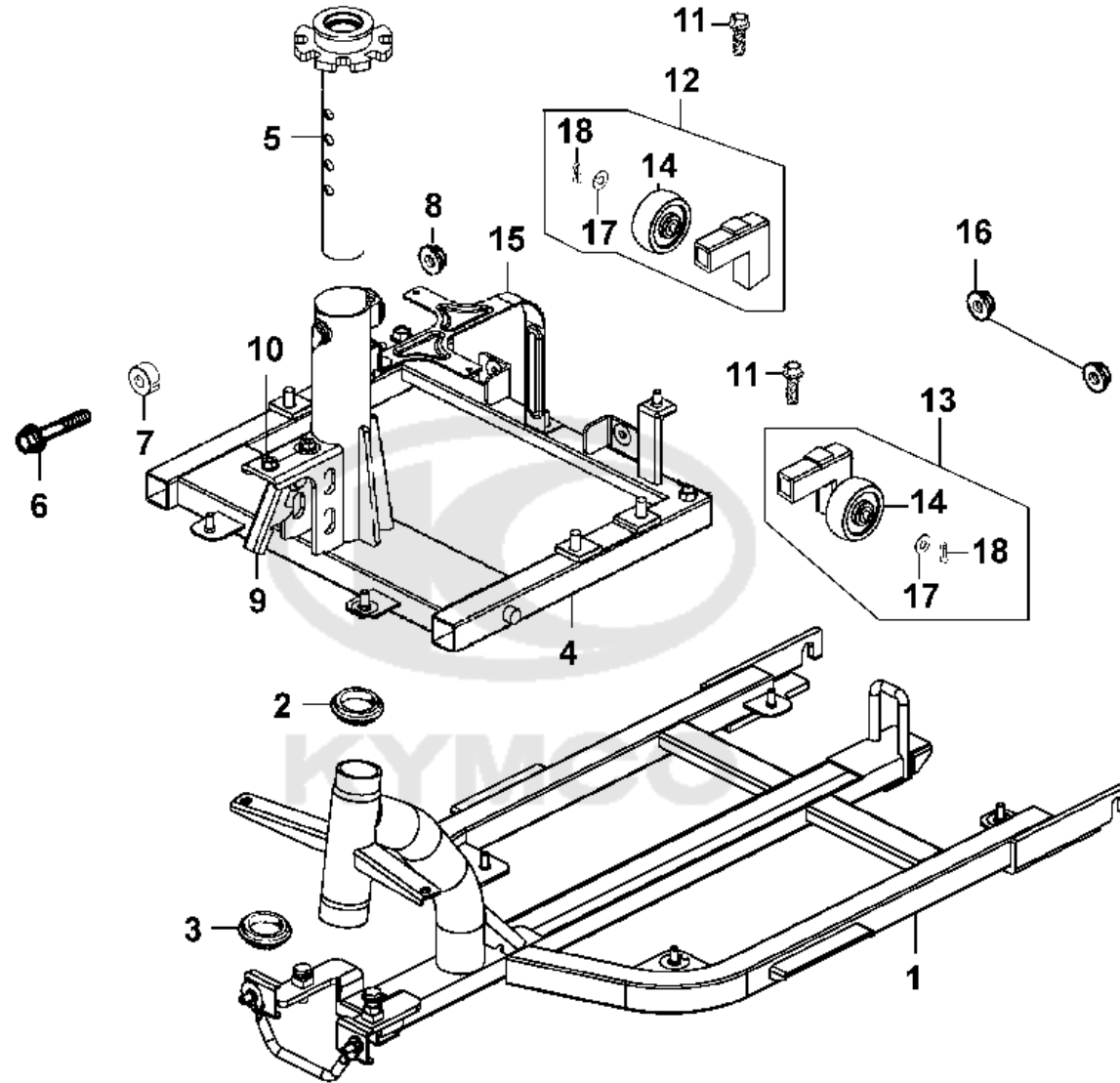
Harness Wire



Sales mark	Ref no	Part no	Description	Reg description	Regd no	Ref Price	F09
------------	--------	---------	-------------	-----------------	---------	-----------	------------

22		93600-02008-0A	SCREW FLAT 2.5*8	SCREW FLAT 2.5*8	6	3.25	
9		93901-32120	SCREW TAPPING 3*8 *(1) C.V.	SCREW TAPPING 3*8 *(1) C.V.	2	0.26	
7		93903-25460	SCREW TAPPING 5*20 **93903-25480	SCREW TAPPING 5*20 **93903-25480	2	0.25	
21		94050-06080-G	NUT FLANGE 6MM	NUT FLANGE 6MM	6	0.49	

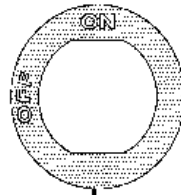




Sales mark	Ref no	Part no	Description	Reg description	Regd no	Ref Price	F10
	14	42800-LAC5-900	ANTI-TIP WHEEL	ANTI-TIP WHEEL	2	3.25	
	1	50110-LAE9-E00	BODY COMP FRONT FRAME **(0)	BODY COMP FRONT FRAME **(0)	1		
	4	50120-LAE9-700	Obsolete	Obsolete	1		
	5	50135-LAC5-900	PIPE B SEAT SET **(8) C.2005.09.08	PIPE B SEAT SET **(8) C.2005.09.08	1	18.20	
	15	50225-LAE9-700	STAY ECU	STAY ECU	1	18.64	
	9	5023A-LAE9-E00	Obsolete	Obsolete	1		
	12	5023B-LAE9-305	PIPE R ASSY AUX WHEEL	PIPE R ASSY AUX WHEEL	1		
	13	5023C-LAE9-305	PIPE L ASSY AUX WHEEL	PIPE L ASSY AUX WHEEL	1		
	2	50301-LDB4-001	RACE UP STRG BALL	RACE UP STRG BALL	1	3.25	
	7	50303-LAC5-900	COLLAR SEAT SET PIPE	COLLAR SEAT SET PIPE	1	3.25	
	3	50305-LDB4-004	RACE UNDER STRG BALL	RACE UNDER STRG BALL	1	3.25	
	10	94050-06060	NUT FLANGE 6MM	NUT FLANGE 6MM	2	0.49	
	16	94050-06080-G	NUT FLANGE 6MM	NUT FLANGE 6MM	2	0.49	
	8	94050-08060	NUT FLANGE 8MM	NUT FLANGE 8MM	1	0.49	
	17	94101-06800-G	WASHER PLAN 6MM	WASHER PLAN 6MM	2	0.12	
	18	94251-06400	PIN LOCK 6MM	PIN LOCK 6MM	2	0.14	
	11	95701-08020-08G	BOLT FLANGE 8*20	BOLT FLANGE 8*20	2	3.25	
	6	95701-08070-07	BOLT FLANGE 8*70	BOLT FLANGE 8*70	1	3.25	



1



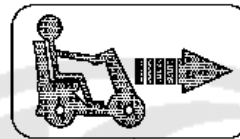
4



7



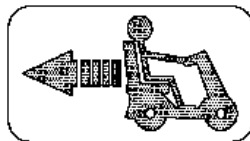
2



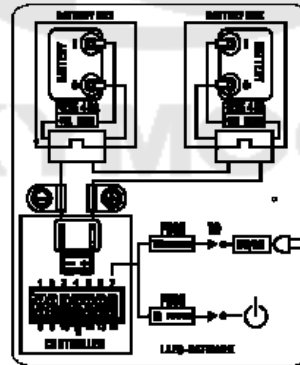
5



8



3

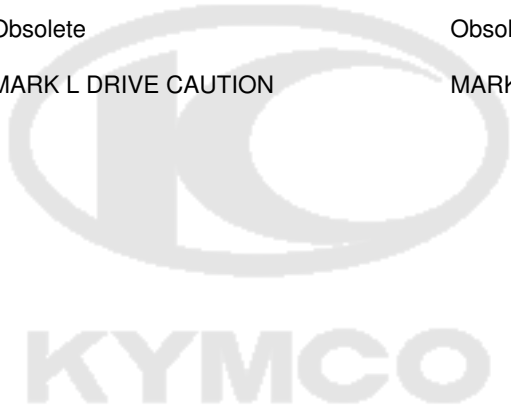


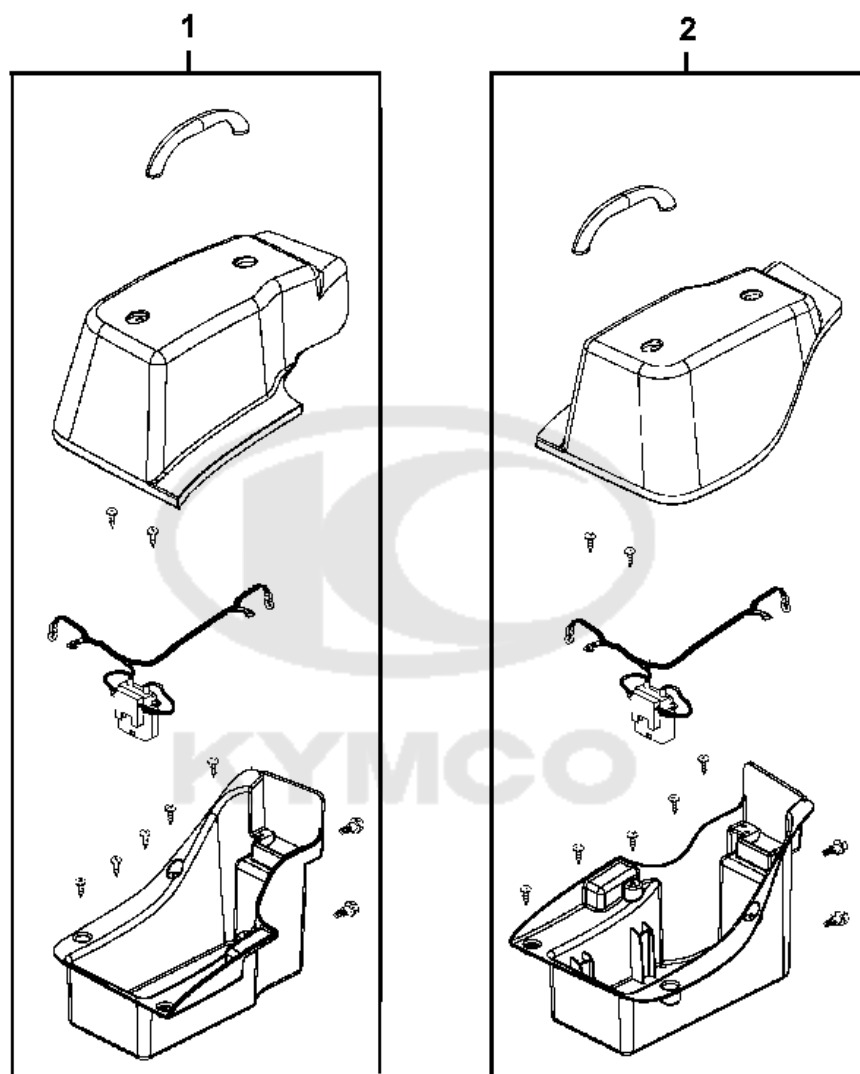
6



9

Sales mark	Ref no	Part no	Description	Reg description	Regd no	Ref Price	F11
**	7	86020-LAC5-E20	EMB DMA STRIDER	EMB DMA STRIDER	1		
**	8	86102-LAC5-E20	Obsolete	Obsolete	1		
**	9	86407-LAE9-E00	STRIPE METER	STRIPE METER	1	3.25	
**	2	87501-LAE9-E00	USE CAUTION SILVER	USE CAUTION SILVER	1	3.25	
	6	87508-LAE9-E00	LABEL BATTERY	LABEL BATTERY	1	3.25	
**	1	87541-LAE9-E00	CAUTION LOCK **E00	CAUTION LOCK **E00	1	3.25	
**	5	87560-LAE9-E00	MARK R DRIVE CAUTION	MARK R DRIVE CAUTION	1	3.25	
**	4	87564-LAE9-E00	Obsolete	Obsolete	1		
**	3	87660-LAE9-E00	MARK L DRIVE CAUTION	MARK L DRIVE CAUTION	1	3.25	





Sales mark	Ref no	Part no	Description	Reg description	Regd no	Ref Price	F12
------------	--------	---------	-------------	-----------------	---------	-----------	------------

1		3150A-LAE9-305	BOX ASSY 17AH BATTERY RH **(0)	BOX ASSY 17AH BATTERY RH **(0)	1		
2		3150B-LAE9-305	BOX ASSY 17AH BATTERY LH **(0)	BOX ASSY 17AH BATTERY LH **(0)	1		



PART NO. INDEX

PART NO.	VERSION	PAGE	PART NO.	VERSION	PAGE	PART NO.	VERSION	PAGE
11000			32404-LAE9-305	2	F09	36108-LAE9-E01	1	F09
			32404-LAE9-E00	1	F09	36109-LAE9-E01	1	F09
			32610-LAE9-E00	2	F09	36110-LAE9-E00	3	F09
1110A-LAE9-E00	6	E01	32620-LAE9-E00	1	F07	37000		
11302-LAC5-900	0	E01	32620-LAE9-E01	1	F09			
13000			33000					
13331-LAC5-900	0	E01	33731-KFA6-M00	1	F08	42000		
31000			34000			42315-LAC5-900	3	F05
31280-LAC5-E20	2	F09	34010-LAC5-900	7	F09	42702-LAE9-E00	1	F05
31300-LAE9-E00	4	E01	35000			42705-LAC5-900	5	F05
31340-LAC5-900	0	E01				42707-LAE9-E00	5	F05
31350-LAC5-900	0	E01				42800-LAC5-900	6	F10
31500-LAE9-E0A	1	F07	35101-LAE9-E00	3	F09	44000		
3150A-LAE9-305	2	F12	35110-LAC5-900	5	F01	44301-LAE9-E00	3	F04
3150B-LAE9-305	2	F12	35111-LAE9-900	0	F09			
31800-LAE9-E20	1	F09	35115-LAE9-E00	1	F09			
32000			35180-LAC5-900	4	F01	44311-LAE9-E00	1	F04
			36000			44315-LAC5-900	3	F04
			32100-LAE9-E00	3	F09	44600-LAE9-900	2	F04
32101-LAE9-E00	4	F09	36000-LAE9-E00	2	F09	44620-LBB6-900	3	F04
32201-LAE9-E00	4	F07	36100-LAE9-E00	1	F09	44650-LBB6-900	3	F04
						44701-LAC5-900	5	F04
						44701-LBB6-900	2	F04

PART NO. INDEX

PART NO.	VERSION	PAGE	PART NO.	VERSION	PAGE	PART NO.	VERSION	PAGE
44701-LBB6-900	2	F05						
44710-LAE9-900	1	F04	53000			77000		
44710-LAE9-900	1	F05						
50000								
5010A-LAE9-E00	2	F01	53100-LAE9-E00	4	F01	77100-LAE9-E00	2	F06
50110-LAE9-E00	4	F10	53102-LCA1-E00	3	F01	77200-LAE9-E00	3	F06
50120-LAE9-700	4	F10	5310A-LAC5-900	3	F01	77223-LAC5-305	2	F06
50135-LAC5-900	9	F10	5310B-LAC5-900	1	F01	77300-LAE9-E00	2	F06
50150-LAE9-E00	1	F01	5310C-LAE9-E00	7	F01			
50225-LAE9-700	1	F10	53111-LAE9-E00	2	F01	83000		
5023A-LAE9-E00	6	F10	53112-LAE9-E00	2	F01			
5023B-LAE9-305	0	F10	53125-LAC5-900	6	F01	83600-LAE9-E00	3	F08
5023C-LAE9-305	0	F10	53166-LAE9-E00	3	F01			
50301-LDB4-001	1	F10	53200-LAE9-700	3	F03	86000		
50303-LAC5-900	4	F10	53200-LAE9-E00	0	F03			
50305-LDB4-004	1	F10	53205-LAE9-E00	0	F01	86020-LAC5-E20	1	F11
50306-1F96-001	0	F03	53206-LAE9-E00	9	F01	86102-LAC5-E20	1	F11
50325-LAE9-E00	2	F07	53209-LAE9-E00	3	F01	86407-LAE9-E00	2	F11
50326-LAE9-E00	2	F07	53211-GFY6-940	1	F03			
50329-LAE9-E00	2	F07	53212-LDB4-004	1	F03	87000		
50331-LAE9-E00	1	F07						
50332-LAE9-E00	1	F07	64000			87501-LAE9-E00	3	F11
50350-LDB4-900	2	E01				87508-LAE9-E00	1	F11
			64310-LAE9-E00	2	F02	87541-LAE9-E00	1	F11
			64311-LAE9-E00	2	F02	87560-LAE9-E00	3	F11
			64320-LAE9-E00	2	F02	87564-LAE9-E00	4	F11
						87660-LAE9-E00	3	F11

PART NO. INDEX

PART NO.	VERSION	PAGE	PART NO.	VERSION	PAGE	PART NO.	VERSION	PAGE
88000			93903-GFY6-910	1	F07	95701-08070-07	0	F10
			94000			95801-08025-08	0	F04
88120-LAC5-910	4	F01				96000		
88130-LAC5-900	2	F01	94021-08070-0S	0	F04			
			94021-08070-0S	0	F05	96130-62000-00	0	F04
90000			94050-06060	1	F01	96211-05000	26	F03
			94050-06060	1	F10	96600-06060-07	1	E01
90301-LAC5-671	1	F02	94050-06080-G	1	F08			
90301-LAC5-671	1	F08	94050-06080-G	1	F09			
90302-GFY6-911	1	F07	94050-06080-G	1	F10			
90302-LLB1-E00	2	F01	94050-08060	0	F10			
90302-LLB1-E00	2	F08	94050-08080-G	1	E01			
90304-GHE8-004	0	F04	94050-08080-G	1	F01			
90306-GLW0-90A	1	F05	94101-06800-G	1	F10			
90656-KCBC-900	0	F09	94111-08800	0	F04			
			94111-08800	0	F05			
93000			94251-06400	0	F10			
			94510-19000	0	E01			
93500-04025-0F	0	F09						
93600-02008-0A	0	F07	95000					
93600-02008-0A	0	F09						
93891-04012-06	0	E01	95701-06045-07	0	F01			
93901-32120	1	F09	95701-08020-08G	1	F10			
93903-25460	0	F09	95701-08022-00	0	F05			
93903-34380-G	0	F01	95701-08045-06	1	F01			