

# PARTS CATALOGUE



## MOBILITY SCOOTER

EV10EB(UK)

Strider



Release Date : 2016/03/21  
Print Date : 2019/11/04

## ABOUT THIS PARTS LIST

- This parts list is compiled all service parts for model EV10EB(UK).
- Any difference between color chart and motorcycle will be revised according to motorcycle.
- The Mark:
  1. Marking "\*\*\*" must add color code in the end before ordering parts.
  2. Marking "#" are parts with modification, Please find the details from e-Parts system.
- When modification or additions to this parts list are made a revised edition at an appropriate time.



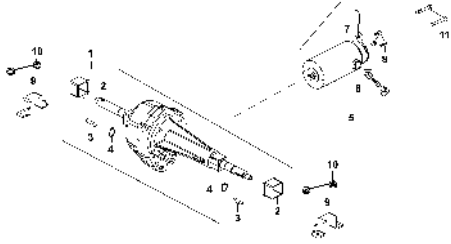
# CONTENTS

● ABOUT THIS PARTS LIST .....	1
● COLOR CHART OF EV10EB(UK) .....	3
● CONTENTS-ENGINE GROUP .....	4
● CONTENTS-FRAME GROUP .....	5
● ENGINE PARTS LIST .....	7
● FRAME PARTS LIST .....	9
● PART NO. INDEX .....	37

NO	MODEL			COLOR CHART OF EV10EB(UK)			
	PHOTO NO			NO. 1	NO. 2	NO. 3	NO. 4
	BASIC COLOR			Deep Blue Metallic	Red Crystal	Burgundy	Dark Red
	CODE			Deep Blue Metallic	Red Crystal	Burgundy	Dark Red
	PARTS NAME	PARTS NO.	VERSION	PB183MA	RR163MA	RR132MA	RR132MA
1	OBSOLETE	53205-LAE9-E00	0	BHP	E6P	R7P	
2	COVER RR HANDLE	53206-LAE9-E00	9				
3	PANEL FLOOR	64310-LBB7-E00	2				
4	COVER BODY	83600-LAE9-E00	3				
5	BUMPER FR	64302-LBB7-E00	1	N1R			
6	MAT FLOOR	64320-LBB7-E00	2	N8P			
7	COVER BATTERY/12AH	50326-LAE9-E00	2				
8	EMB DMA STRIDER	86020-LAC5-E20	1				
9	EMB DMA-LOGO 15MM	86102-LAC5-E20	1				
10	STRIPE METER	86407-LAE9-E00	2				
11	USE CAUTION	87501-LAE9-E00	3	T01			
12	CAUTION LOCK	87541-LAE9-E00	1				
13	MARK R DRIVE	87560-LAE9-E00	3				
14	MARK L DRIVE CAUTION	87660-LAE9-E00	3				
DATE OF STARTING-SALES				2004-03-16	2004-03-16	2004-03-16	2004-03-16
DATE OF END-SALES							

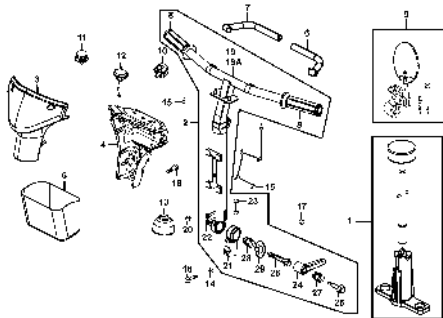
## CONTENTS - ENGINE GROUP

**E01** Motor

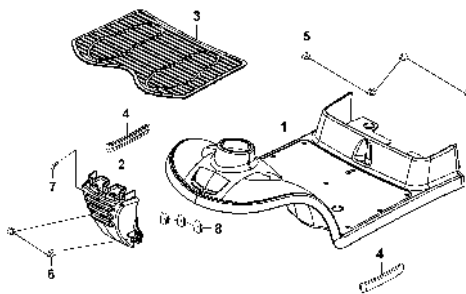


## CONTENTS - FRAME GROUP

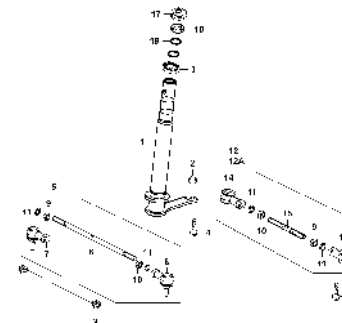
**F01** Handle Steering



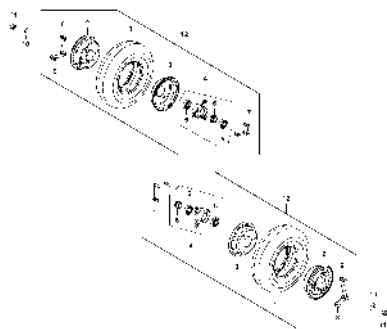
**F02** Floor



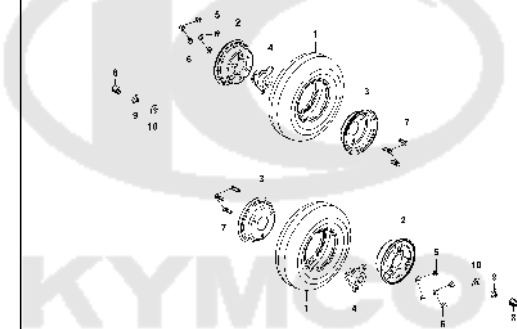
**F03** Steering Stem



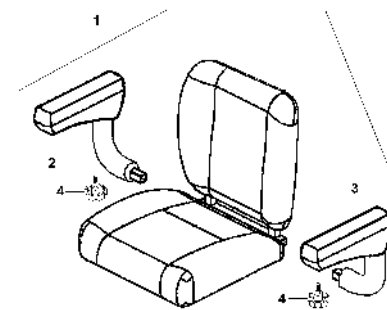
**F04** Front Wheel



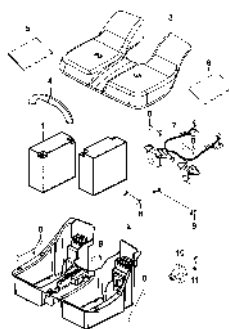
**F05** Rear Wheel



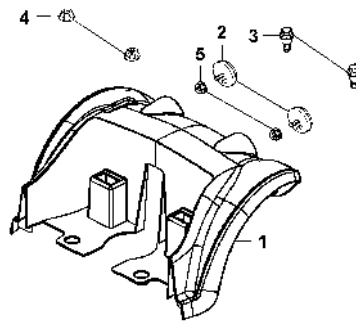
**F06** Seat



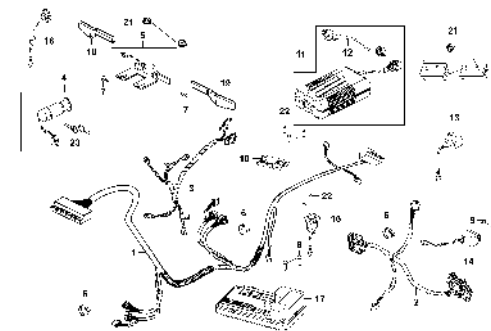
**F07** Battery



**F08** Body Cover

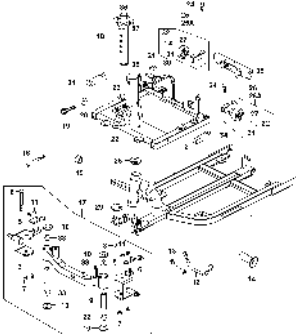


**F09** Harness Wire

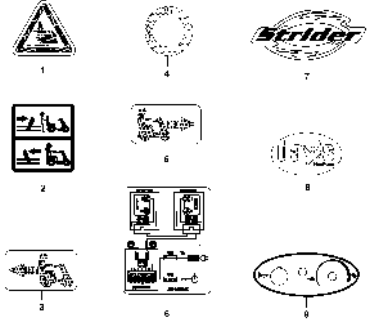


**CONTENTS - FRAME GROUP**

**F10** Frame Body

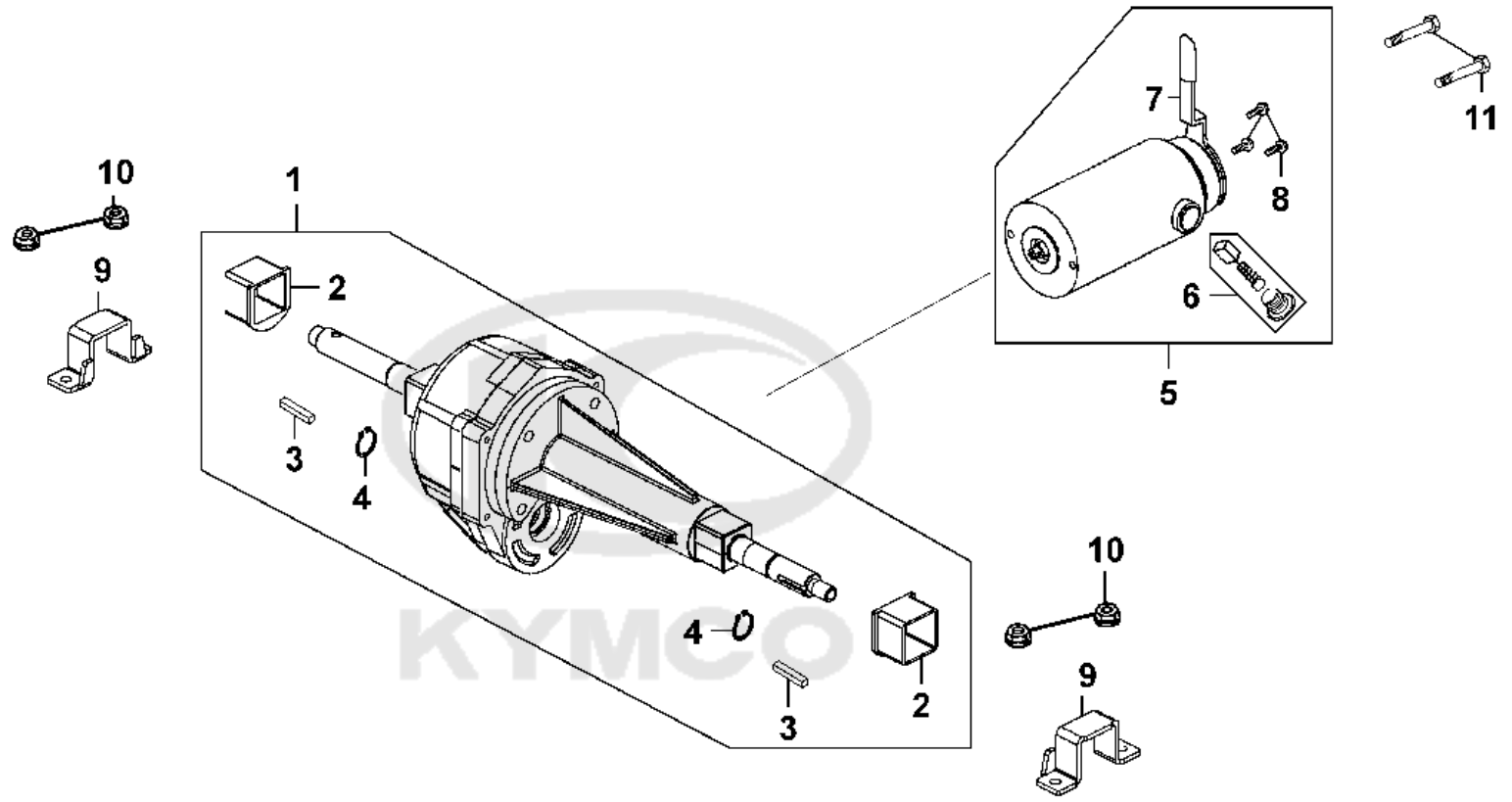


**F11** Caution Label



E01

Motor

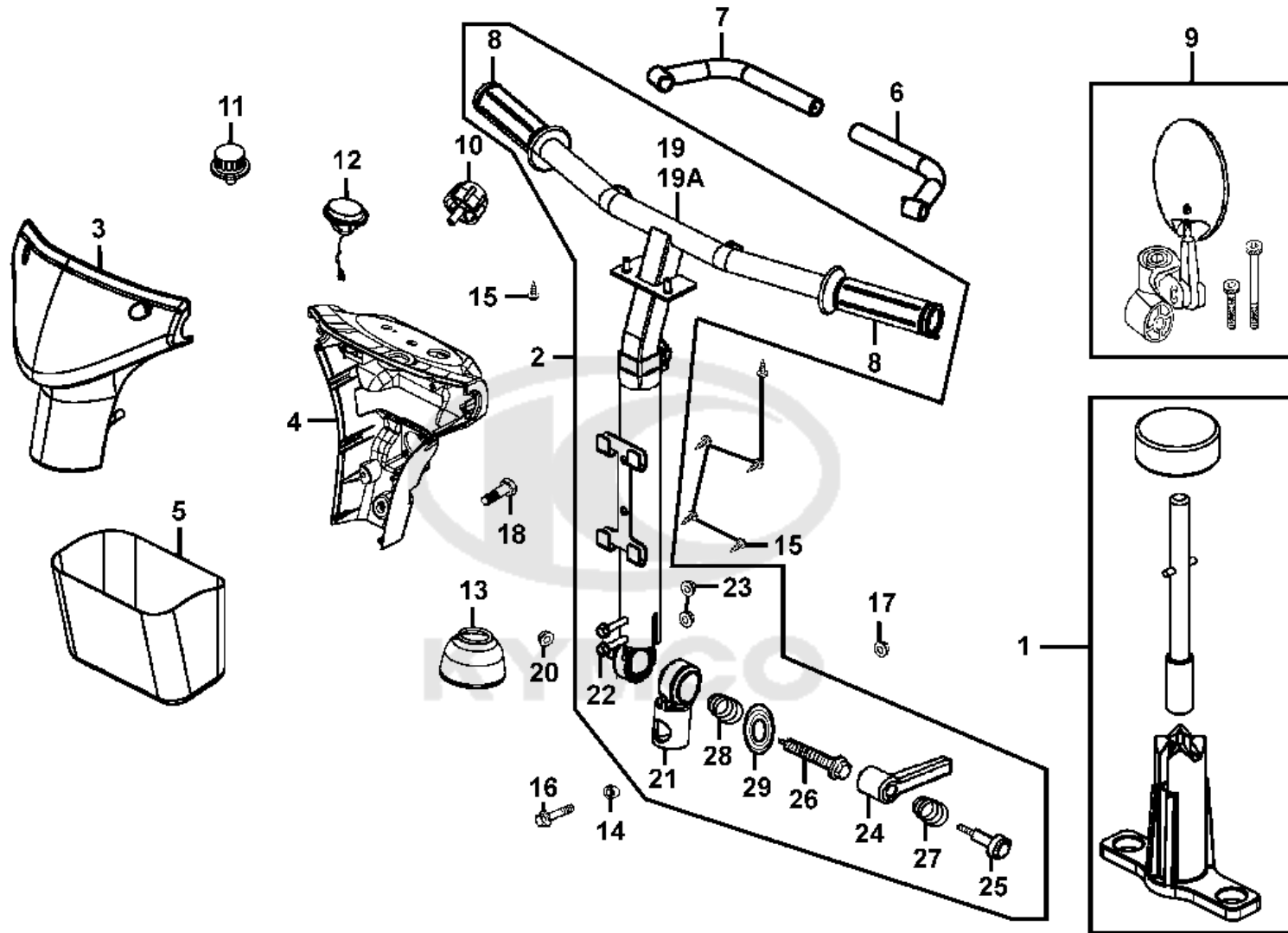




Sales mark	Ref no	Part no	Description	Reg description	Regd no	Ref Price	E01
	1	1110A-LAE9-E00	Obsolete	Obsolete	1		
	2	11302-LAC5-900	RUBBER	RUBBER	2	6.50	
	3	13331-LAC5-900	KEY 4.8*4.8*30	KEY 4.8*4.8*30	2	3.25	
	5	31300-LAE9-E00	ORDER 31300-LAE9-C00	ORDER 31300-LAE9-C00	1	150.00	
	6	31340-LAC5-900	BRUSH ASSY	BRUSH ASSY	1	7.00	
	7	31350-LAE9-900	Obsolete	Obsolete	1		
	9	50350-LDB4-900	CONNECTOR MISSION	CONNECTOR MISSION	1	5.20	
	8	93891-04012-06	SCREW WASHER 4*12	SCREW WASHER 4*12	1	0.13	
	10	94050-08080-G	NUT FLANGE 8MM (C)	NUT FLANGE 8MM (C)	4	0.49	
	4	94510-19000	CIRCLIP EX 1.9	CIRCLIP EX 1.9	2	2.12	
	11	96600-06060-07	SOCKET BOLT 6*60	SOCKET BOLT 6*60	2	3.25	

F01

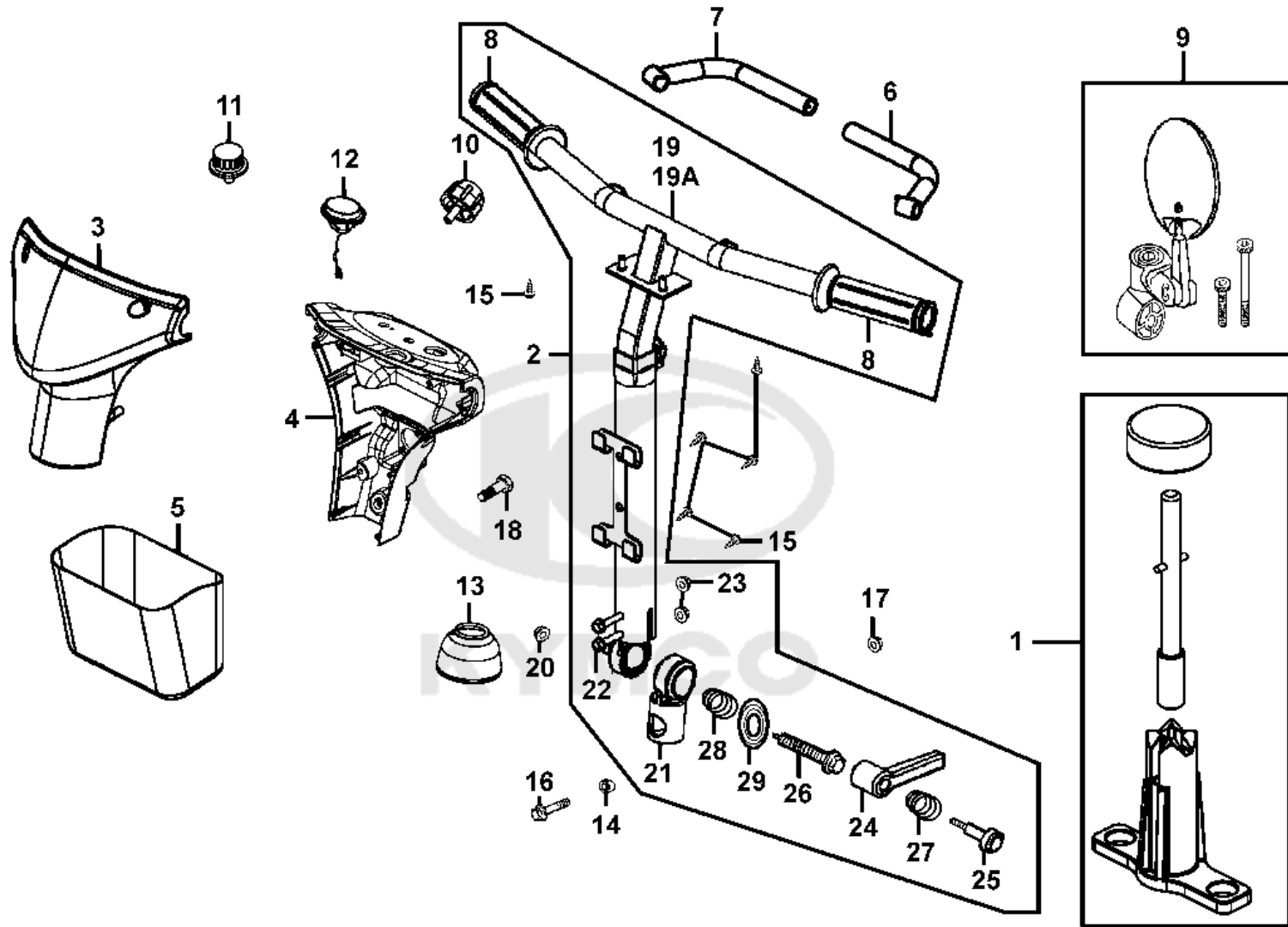
# Handle Steering



Sales mark	Ref no	Part no	Description	Reg description	Regd no	Ref Price	F01
	11	35110-LAC5-900	SPEED KNOB ALT 35110-LHD7-900	SPEED KNOB ALT 35110-LHD7-900	1	5.20	
	12	35180-LAC5-900	SW UNIT HORN **(2) C.2007.02.05	SW UNIT HORN **(2) C.2007.02.05	1	6.50	
	1	5010A-LAE9-E00	Obsolete	Obsolete	1		
	5	50150-LAE9-E00	ORDER 50150-LHD7-900	ORDER 50150-LHD7-900	1	16.25	
	19	53100-LAE9-900	Obsolete	Obsolete	1		
	19A	53100-LAE9-E00	Obsolete	Obsolete	1		
	21	53102-LCA1-E00	Obsolete	Obsolete	1		
	6	5310A-LAC5-900	DELTA HANDLE	DELTA HANDLE	1	10.08	
	7	5310B-LAC5-900	Obsolete	Obsolete	1		
	2	5310C-LAE9-E00	Obsolete	Obsolete	1		
	24	53111-LAE9-E00	Obsolete	Obsolete	1		
	25	53112-LAE9-E00	Obsolete	Obsolete	1		
	26	53113-LAE9-E00	Obsolete	Obsolete	1		
	27	53114-LAE9-E00	Obsolete	Obsolete	1		
	28	53115-LAE9-E00	SPRING B REGULATE	SPRING B REGULATE	1	3.25	
	14	53125-LAC5-900	COLLAR HANDLE SET	COLLAR HANDLE SET	1	3.25	
	8	53166-LAE9-E00	HAND GRIP	HAND GRIP	2	3.25	
**	3	53205-LAE9-E00	OBSOLETE	OBSOLETE	1	22.75	
**	4	53206-LAE9-E00	Obsolete ALT 53206-LAE9-E00-NFF	Obsolete ALT 53206-LAE9-E00-NFF	1		
	13	53209-LAE9-E00	Obsolete	Obsolete	1	6.00	

F01

Handle Steering

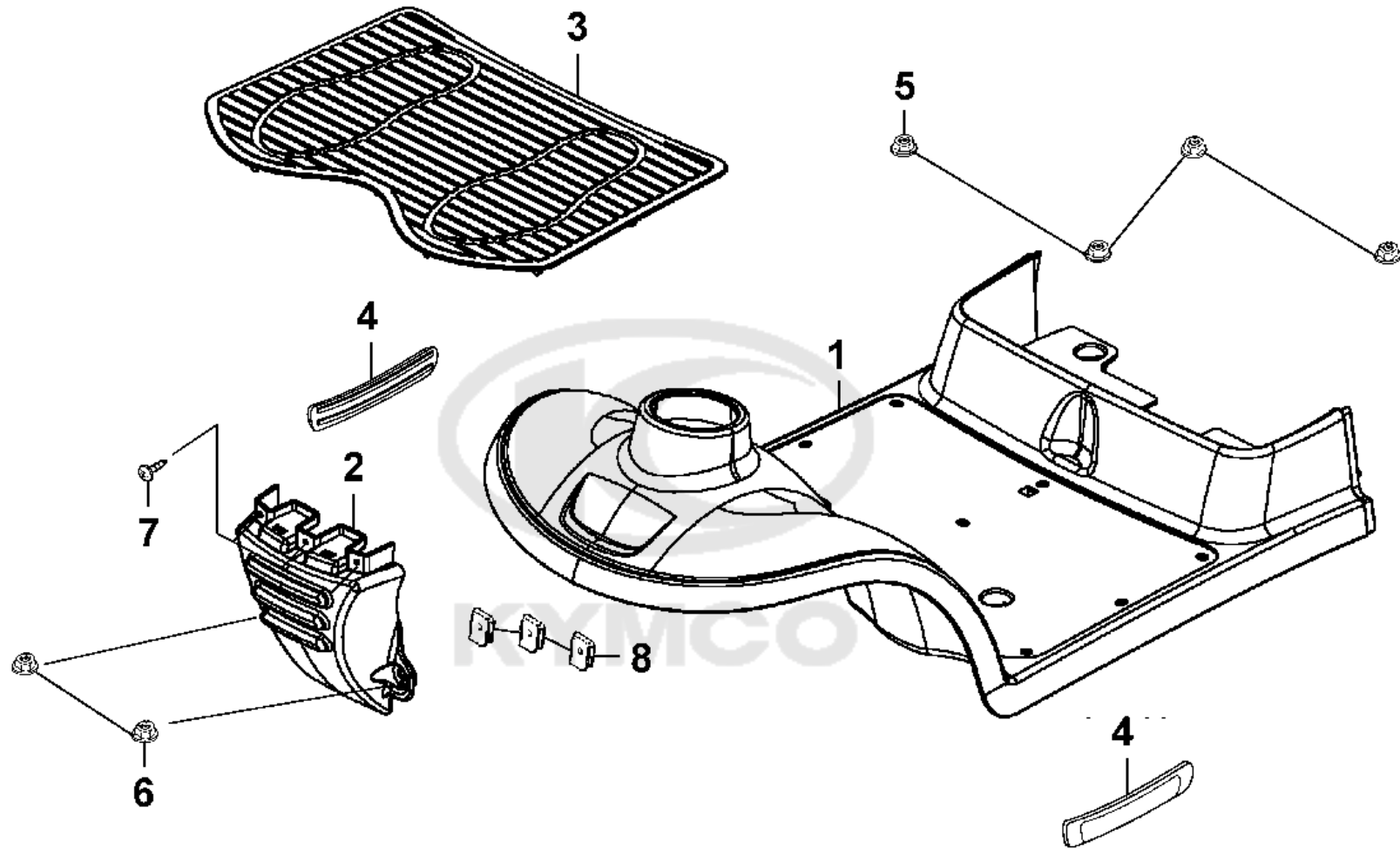


Sales mark	Ref no	Part no	Description	Reg description	Regd no	Ref Price	F01
	9	88120-LAC5-910	MIRROR ASSY BACK	MIRROR ASSY BACK	1	16.25	
	10	88130-LAC5-900	CAP HANDLE PIPE	CAP HANDLE PIPE	1	5.00	
	18	90302-LLB1-E00	BOLT WASHER 5*12 **(1) C.2005.06.28	BOLT WASHER 5*12 **(1) C.2005.06.28	1	0.68	
	15	93903-34380-G	SCREW TAPPING 4x12	SCREW TAPPING 4x12	1	3.25	
	23	94021-08070-0S	NUT HEX CAP 8MM	NUT HEX CAP 8MM	2	3.25	
	20	94021-10020-0S	NUT HEX CAP 10MM	NUT HEX CAP 10MM	1	0.52	
	17	94050-08080-G	NUT FLANGE 8MM (C)	NUT FLANGE 8MM (C)	1	0.49	
	29	94101-12800	WASHER PLAIN 12MM	WASHER PLAIN 12MM	1	0.16	
	16	95701-08045-06	BOLT FLANGE 6*45	BOLT FLANGE 6*45	1	0.52	
	22	96700-LCA1-E00	SOCKET BOLT 8*30	SOCKET BOLT 8*30	2	3.25	



F02

Floor

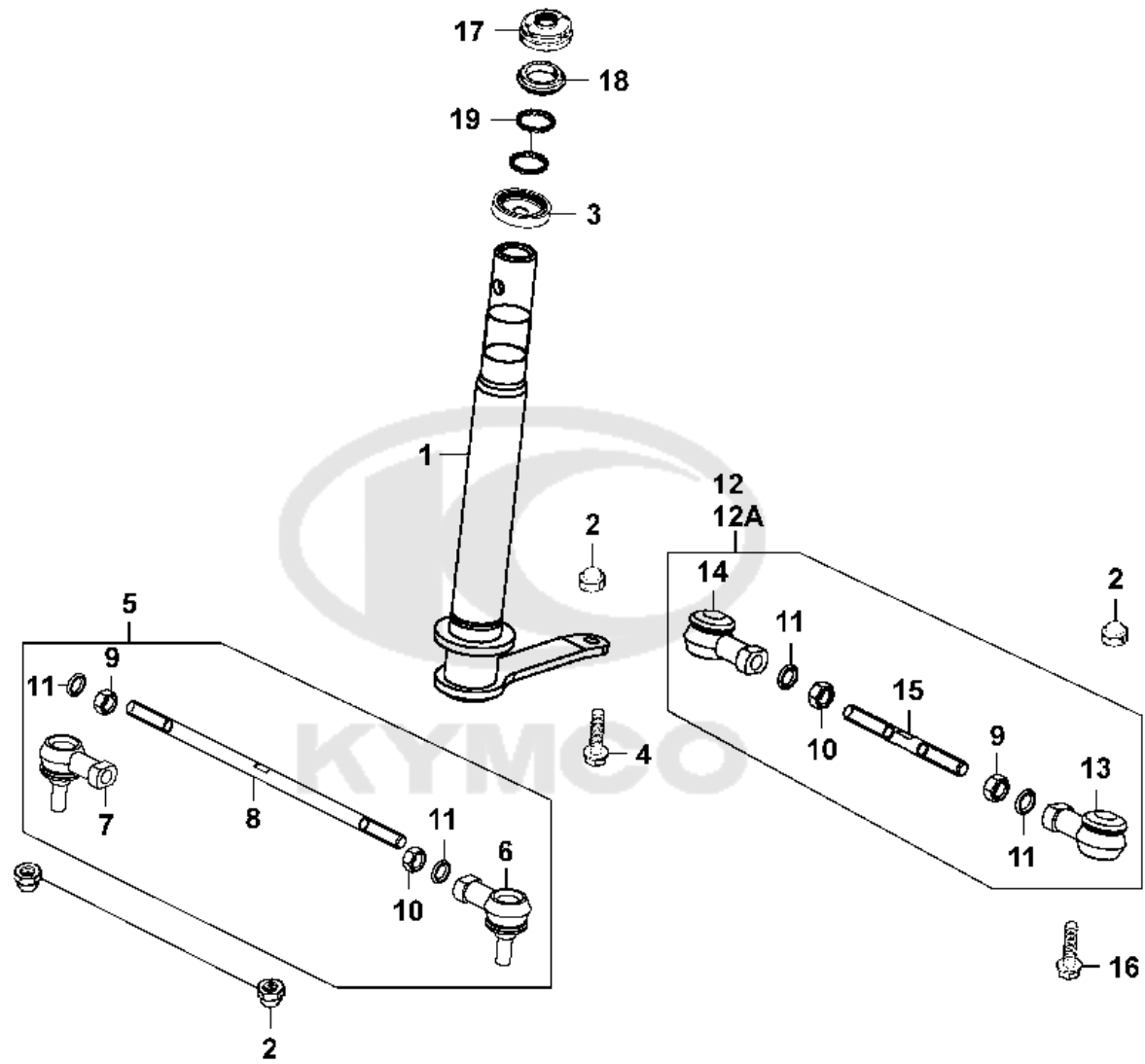


Sales mark	Ref no	Part no	Description	Reg description	Regd no	Ref Price	F02
**	2	64302-LBB7-E00	FRONT PLASTIC BUMPER- STRIDER	FRONT PLASTIC BUMPER- STRIDER MINI	1		
**	1	64310-LBB7-E00	Obsolete	Obsolete	1	78.00	
	4	64311-LBB7-E00	MOLD A **(0) C.2005.07.01	MOLD A **(0) C.2005.07.01	2	3.25	
**	3	64320-LBB7-E00	MAT FLOOR **(0) C.2006.02.09	MAT FLOOR **(0) C.2006.02.09	1		
	6	90301-LAC5-001	NUT 6MM OPENSTAY	NUT 6MM OPENSTAY	3	3.25	
	5	90301-LAC5-671	NUT FLANGE 6MM	NUT FLANGE 6MM	6	3.25	
	8	90302-LAC5-004	NUT SPRING 4MM	NUT SPRING 4MM	5	3.25	
	7	93903-14380-G	SCREWTAPPING 4x12	SCREWTAPPING 4x12	1	3.25	



F03

# Steering Stem

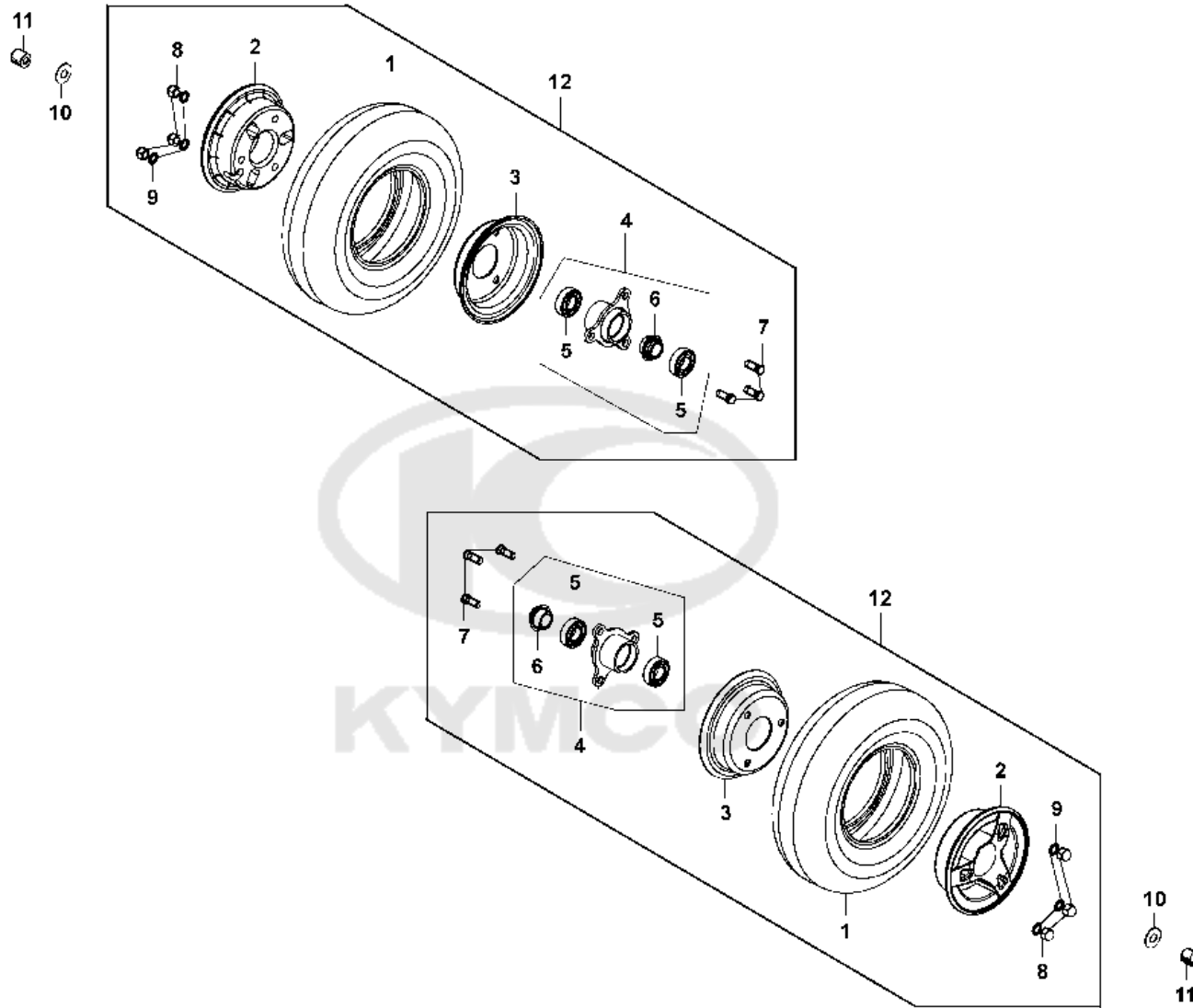




Sales mark	Ref no	Part no	Description	Reg description	Regd no	Ref Price	F03
	17	50306-1F96-001	NUT STRG STEM LOCK	NUT STRG STEM LOCK	1	1.18	
	1	53200-LBB7-700	Obsolete	Obsolete	1		
	18	53211-GFY6-940	RACE STRG TOP CONE **GY6-9400	RACE STRG TOP CONE **GY6-9400	1	1.87	
	3	53212-LDB4-004	ORDER 53212-GHC8-004	ORDER 53212-GHC8-004	1	3.25	
	5	53700-LBB7-E00	Obsolete	Obsolete	1		
	8	53701-LBB7-E00	Obsolete	Obsolete	1		
	7	53702-LAC5-900	BALL JOINT R	BALL JOINT R	1	6.50	
	6	53703-LAC5-900	JOINT L BALL	JOINT L BALL	1	16.25	
	12	53800-LBB7-700	Obsolete	Obsolete	1		
	12A	53800-LBB7-E00	Obsolete	Obsolete	1		
	15	53801-LBB7-E00	Obsolete	Obsolete	1		
	2	90309-GLW0-90A	NUT U FLANGE 8MM **(0) C.2009.03.05	NUT U FLANGE 8MM **(0) C.2009.03.05	4	0.85	
	10	94001-08080-0S	NUT HEX 8MM	NUT HEX 8MM	2	0.49	
	9	94001-LAC5-900	NUT HEX 8MM L	NUT HEX 8MM L	2	0.55	
	11	94111-08800	WASHER SPRING 8MM	WASHER SPRING 8MM	4	0.33	
	4	95701-08030-06	BOLT FLANGE 8*30 **07 C.2005.07.01	BOLT FLANGE 8*30 **07 C.2005.07.01	2	0.50	
	19	96211-05000	BALL BEARING PACK OF 100	BALL BEARING PACK OF 100	55	3.25	

F04

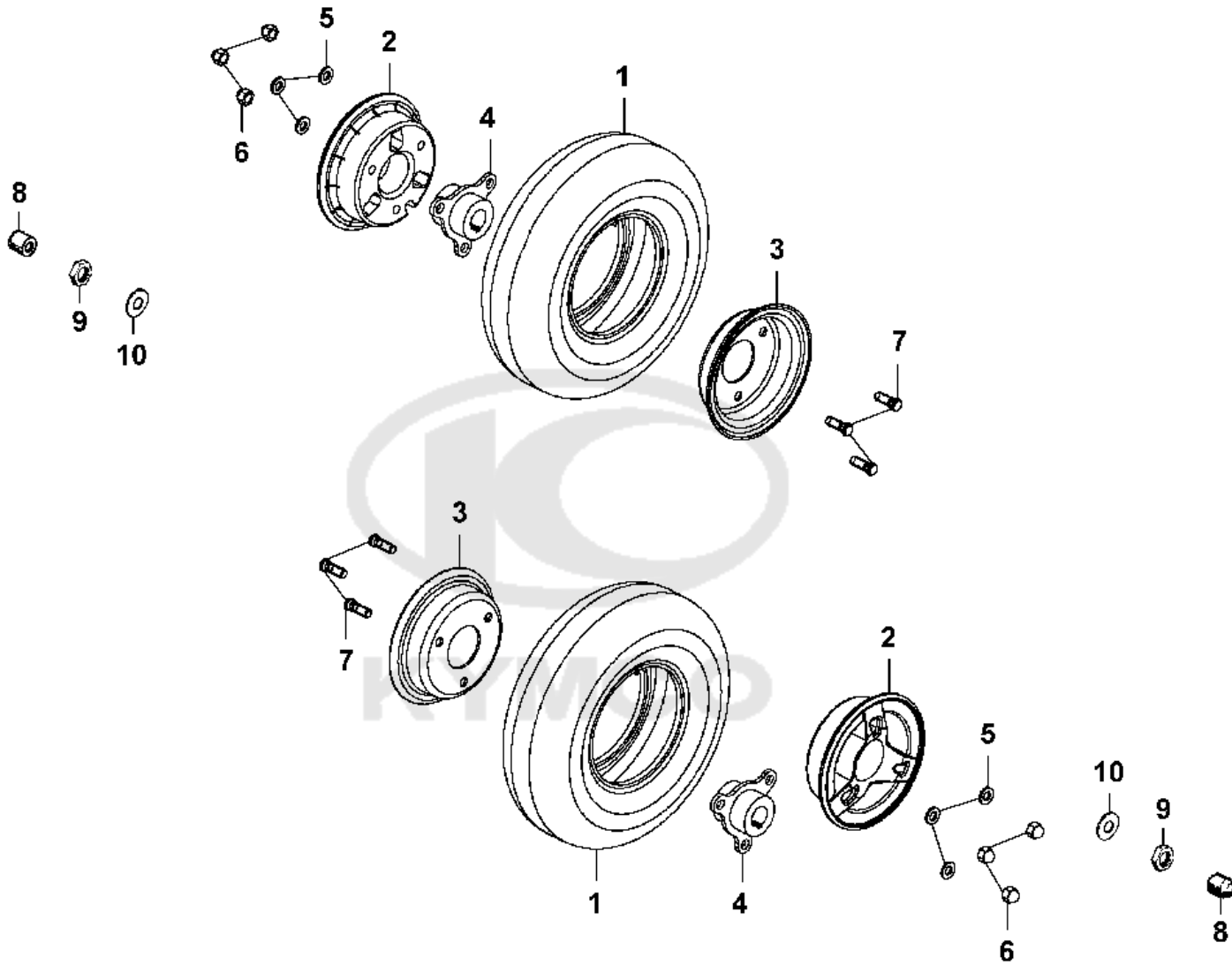
Front Wheel



Sales mark	Ref no	Part no	Description	Reg description	Regd no	Ref Price	F04
3		42702-LAE9-E00	RIM COMP RR	RIM COMP RR	2	5.53	
11		44315-LAC5-900	CAP FR AXLE **(0) C.2003.10.22	CAP FR AXLE **(0) C.2003.10.22	2	3.25	
12		44600-LBB7-900	ORDER 44600-LBB7-C00	ORDER 44600-LBB7-C00	2	45.50	
6		44620-LBB7-E00	Obsolete	Obsolete	2		
4		44650-LBB7-E00	WHEEL COMP FR	WHEEL COMP FR	2	18.85	
2		44701-LAC5-900	RIM CAST FR	RIM CAST FR	2	13.00	
10		44705-LAC5-900	WASHER 12MM	WASHER 12MM	2	3.25	
1		44710-LAE9-900	TIRE ASSY FR/2.80/2.50-4 /KENDA	TIRE ASSY FR/2.80/2.50-4 /KENDA	2		
8		94021-08020-0S	NUT HEX CAP 8MM	NUT HEX CAP 8MM	6	3.25	
9		94111-08800	WASHER SPRING 8MM	WASHER SPRING 8MM	6	0.33	
7		95701-08022-00	BOLT FLANGE 8X22	BOLT FLANGE 8X22	6		
5		96120-60020-00	BEARING RAD 6002	BEARING RAD 6002	4	4.74	

F05

Rear Wheel

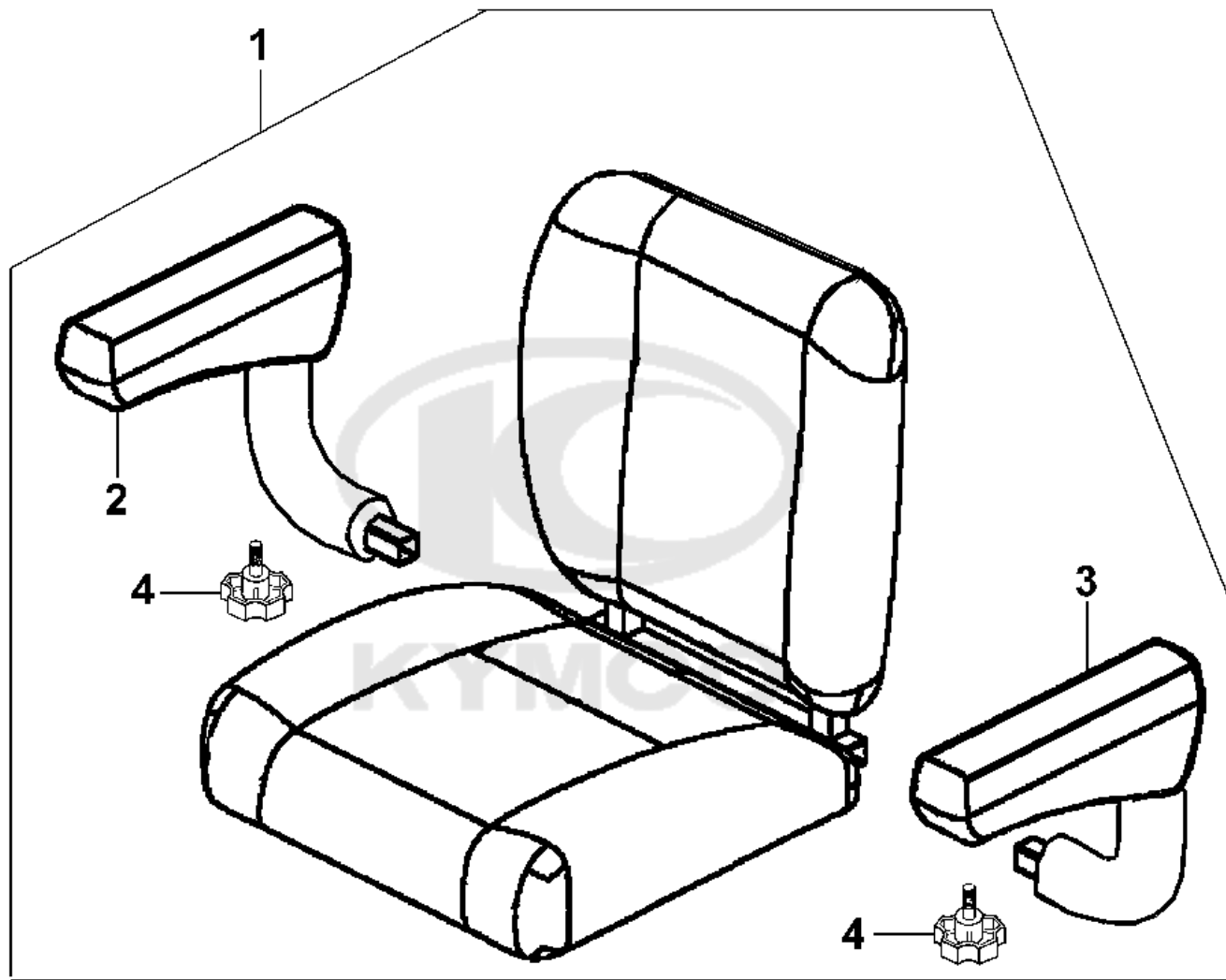


Sales mark	Ref no	Part no	Description	Reg description	Regd no	Ref Price	F05
	8	42315-LAC5-900	CAP RR AXLE **(0) C.2003.10.22	CAP RR AXLE **(0) C.2003.10.22	2	3.25	
	3	42702-LAE9-E00	RIM COMP RR	RIM COMP RR	2	5.53	
	10	42705-LAC5-900	WASHER 12MM RR WHEEL	WASHER 12MM RR WHEEL	2	3.25	
	4	42707-LAE9-E00	CONNECTOR RR WHEEL	CONNECTOR RR WHEEL	2	5.20	
	2	44701-LBB6-900	RIM COMP FR **(2) C.V.	RIM COMP FR **(2) C.V.	2	13.00	
	1	44710-LAE9-900	TIRE ASSY FR/2.80/2.50-4 /KENDA	TIRE ASSY FR/2.80/2.50-4 /KENDA	2		
	9	90306-GLW0-90A	NUT FLANGE 12MM **(0) C.2009.03.05	NUT FLANGE 12MM **(0) C.2009.03.05	1	0.85	
	6	94021-08020-0S	NUT HEX CAP 8MM	NUT HEX CAP 8MM	6	3.25	
	5	94111-08800	WASHER SPRING 8MM	WASHER SPRING 8MM	6	0.33	
	7	95701-08022-00	BOLT FLANGE 8X22	BOLT FLANGE 8X22	6		



F06

Seat



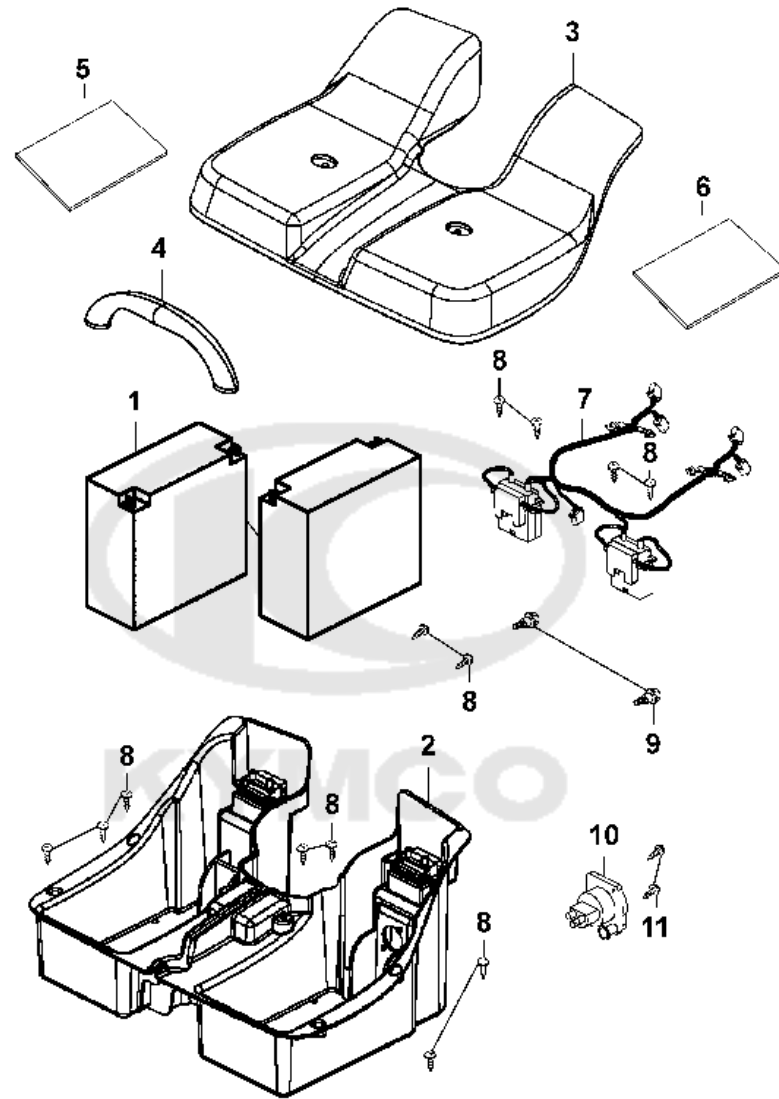
Sales mark	Ref no	Part no	Description	Reg description	Regd no	Ref Price	<b>F06</b>
------------	--------	---------	-------------	-----------------	---------	-----------	------------

2		77100-LAE9-E00	Obsolete	Obsolete	1		
1		77200-LAE9-E00	Obsolete	Obsolete	1		
4		77223-LAC5-305	BOLT LOCK ARM REST	BOLT LOCK ARM REST	2	3.25	
3		77300-LAE9-E00	Obsolete	Obsolete	1		



F07

# Battery

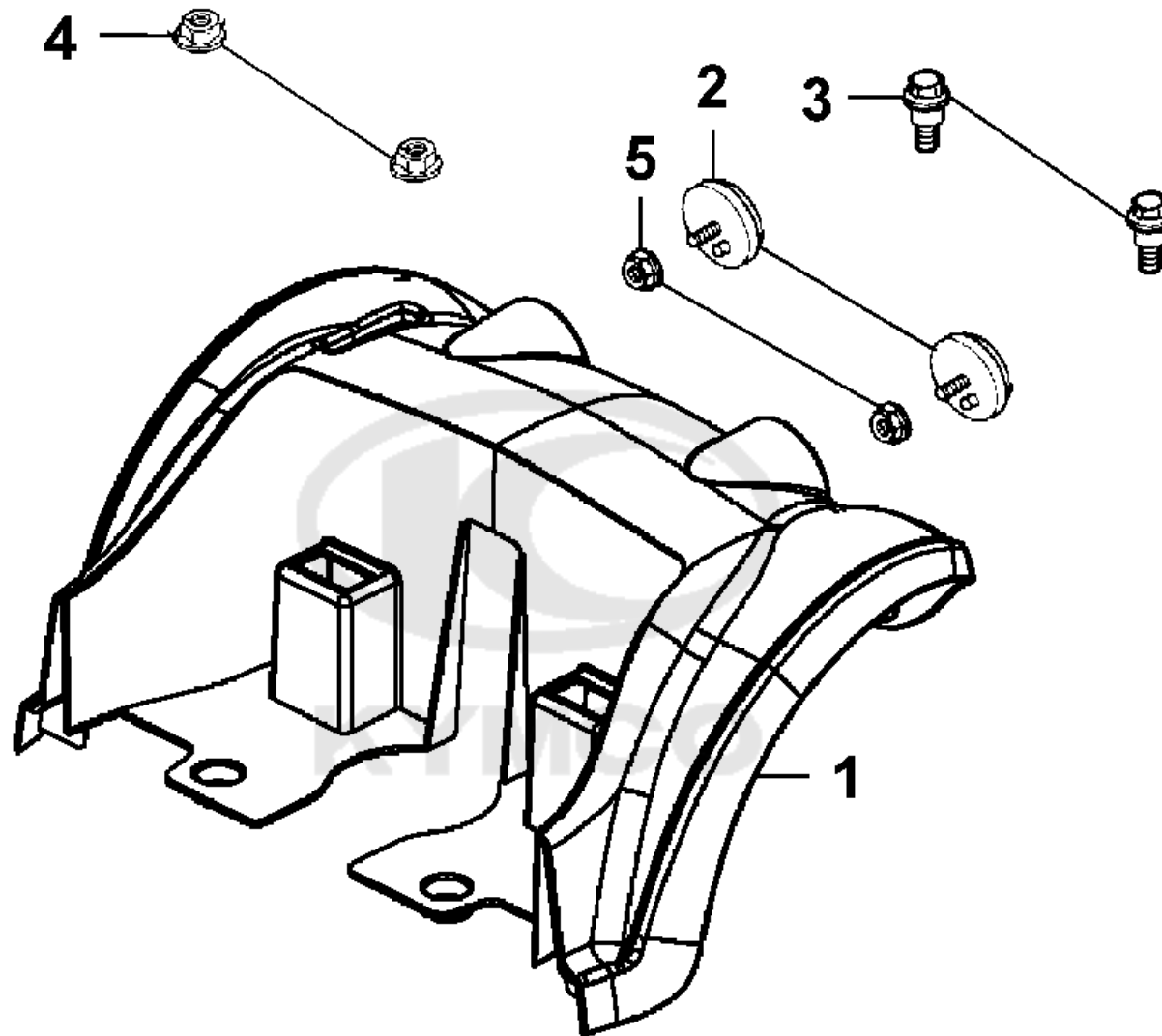




Sales mark	Ref no	Part no	Description	Reg description	Regd no	Ref Price	F07
	1	31500-LAE9-E0A	BATTERY 12V 12AH/YUASA **(0)	BATTERY 12V 12AH/YUASA **(0)	2		
	7	32201-LAE9-E00	Obsolete	Obsolete	2		
	10	32620-LAE9-E00	SOCKET CHARGER	SOCKET CHARGER	1	8.45	
	2	50325-LAE9-E00	Obsolete	Obsolete	1		
**	3	50326-LAE9-E00	Obsolete	Obsolete	1		
	4	50329-LAE9-E00	GRIP ALT 50329-LAE9-E01	GRIP ALT 50329-LAE9-E01	1		
	5	50331-LAE9-E00	DUAL LOCK M	DUAL LOCK M	1	3.25	
	6	50332-LAE9-E00	DUAL LOCK F **(0) C.2005.03.01	DUAL LOCK F **(0) C.2005.03.01	1		
	9	90302-GFY6-911	BOLT-WASH 5*12	BOLT-WASH 5*12	2	3.25	
	11	93600-02008-0A	SCREW FLAT 2.5*8	SCREW FLAT 2.5*8	2	3.25	
	8	93903-GFY6-910	BOLT-WASH 5*12	BOLT-WASH 5*12	2	3.25	

F08

Body Cover



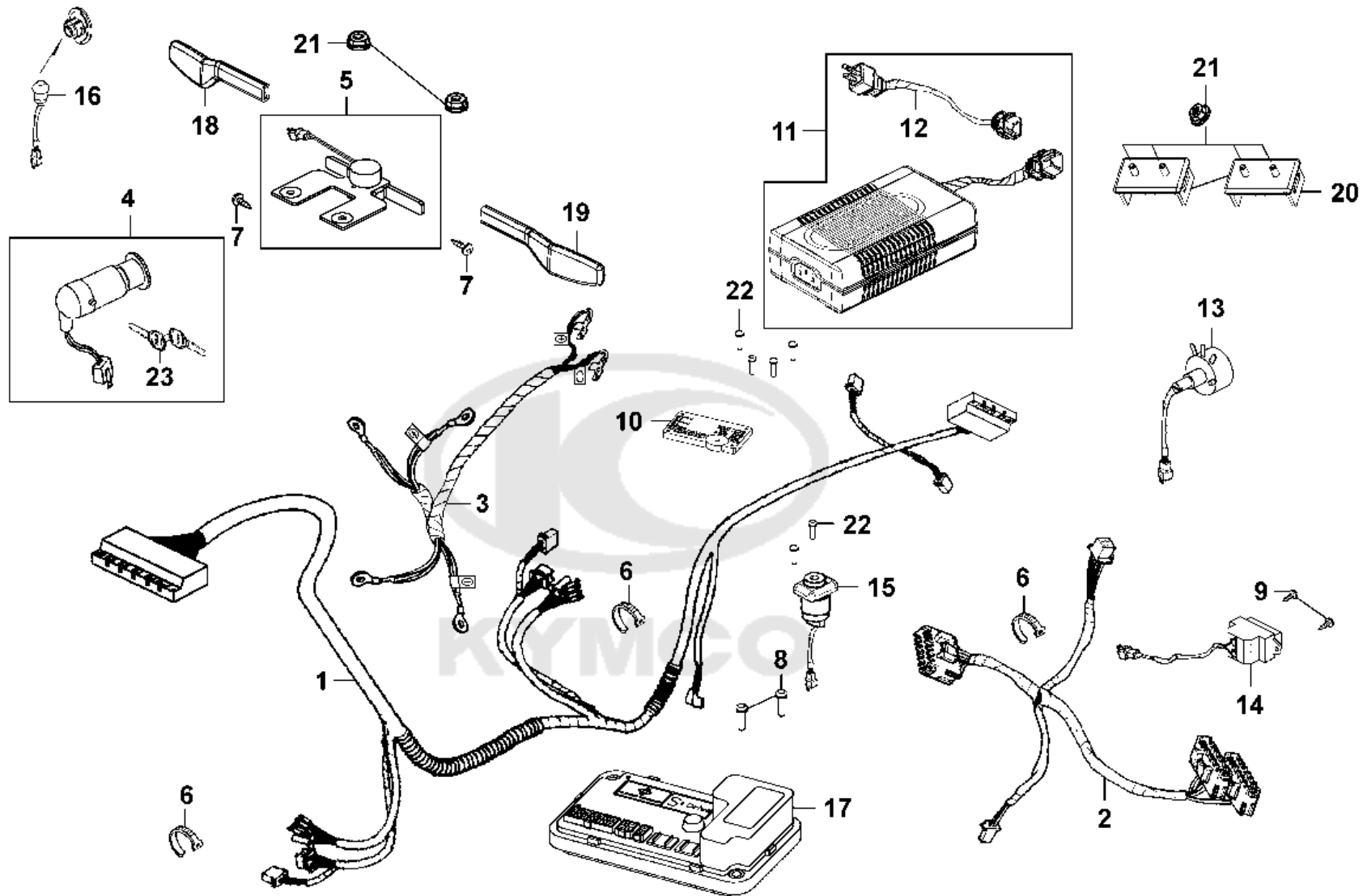
Sales mark	Ref no	Part no	Description	Reg description	Regd no	Ref Price	F08
------------	--------	---------	-------------	-----------------	---------	-----------	-----

2		33731-KFA6-M00	USE 33731-KFA6-C00	USE 33731-KFA6-C00	2	3.25	
5		90301-LAC5-671	NUT FLANGE 6MM	NUT FLANGE 6MM	6	3.25	
3		90302-LLB1-E00	BOLT WASHER 5*12 **(1) C.2005.06.28	BOLT WASHER 5*12 **(1) C.2005.06.28	2	0.68	
4		94050-06080-G	NUT FLANGE 6MM	NUT FLANGE 6MM	2	0.49	



F09

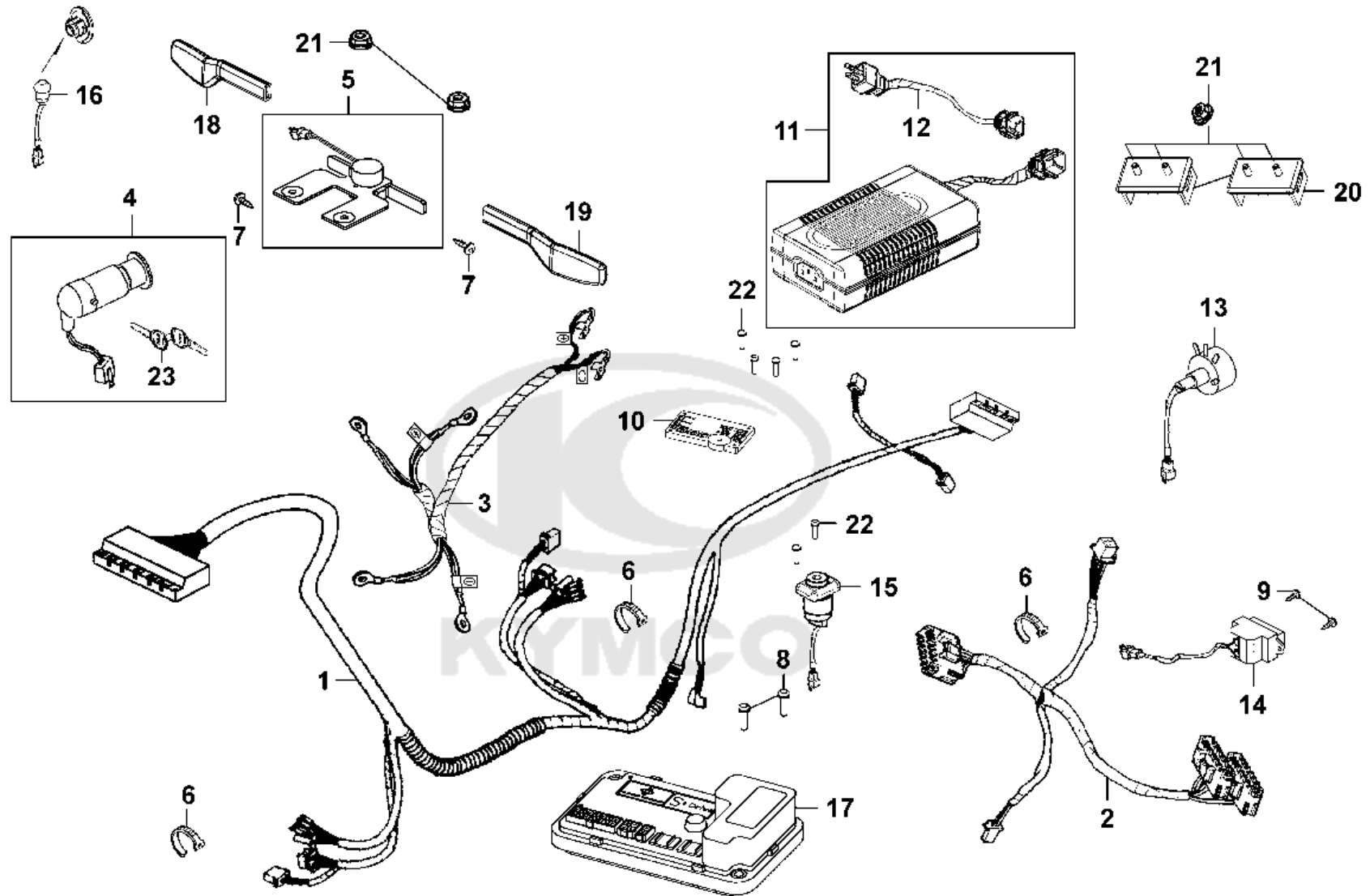
Harness Wire



Sales mark	Ref no	Part no	Description	Reg description	Regd no	Ref Price	F09
	12	31280-LAC5-E20	CORD AC POWER	CORD AC POWER	1	6.50	
	11	31800-LAE9-900	BATTERY CHARGER ASSY **(0)	BATTERY CHARGER ASSY **(0)	1	65.00	
	11	31800-LAE9-E20	BATTERY CHARGER ASSY	BATTERY CHARGER ASSY	1	70.00	
	1	32100-LAE9-E00	Obsolete	Obsolete	1	19.50	
	2	32101-LAE9-E00	SUB HARNESS A	SUB HARNESS A	1	9.75	
	3	32404-LAE9-E00	POWER CORD	POWER CORD	1	11.70	
	20	32610-LAE9-E00	COUPLER M BATTERY	COUPLER M BATTERY	2	13.00	
	15	32620-LAE9-E01	SOCKET CHARGER	SOCKET CHARGER	1	8.45	
	5	34010-LAC5-900	THROTTLE	THROTTLE	1	39.00	
	4	35101-LAE9-E00	AIT 35101-LAE9-E01	AIT 35101-LAE9-E01	1	16.25	
	23	35111-LAE9-900	ALT 35111-LAE9-E01	ALT 35111-LAE9-E01	2	5.85	
	13	35115-LAC5-900	SPEED POT 20K?	SPEED POT 20K?	1	11.70	
	17	36000-LAE9-E00	Obsolete	Obsolete	1		
	10	36100-LAE9-E00	CONTROL METER	CONTROL METER	1		
	18	36108-LAE9-E01	LEVER RH THROTTLE **(0)	LEVER RH THROTTLE **(0) C.2005.03.01	1		
	19	36109-LAE9-E01	LEVER LH THROTTLE **(0)	LEVER LH THROTTLE **(0) C.2005.03.01	1		
	16	36110-LAE9-E00	LED	LED	1	3.25	
	14	37806-LAE9-E00	VU METER	VU METER	1	16.25	
	6	90656-KCBC-900	BAND OIL HANDLE **9000 C.2005.03.01	BAND OIL HANDLE **9000 C.2005.03.01	3	0.50	
	8	93500-04025-0F	SCREW PAN 4*25 (G)	SCREW PAN 4*25 (G)	1	0.25	

F09

Harness Wire



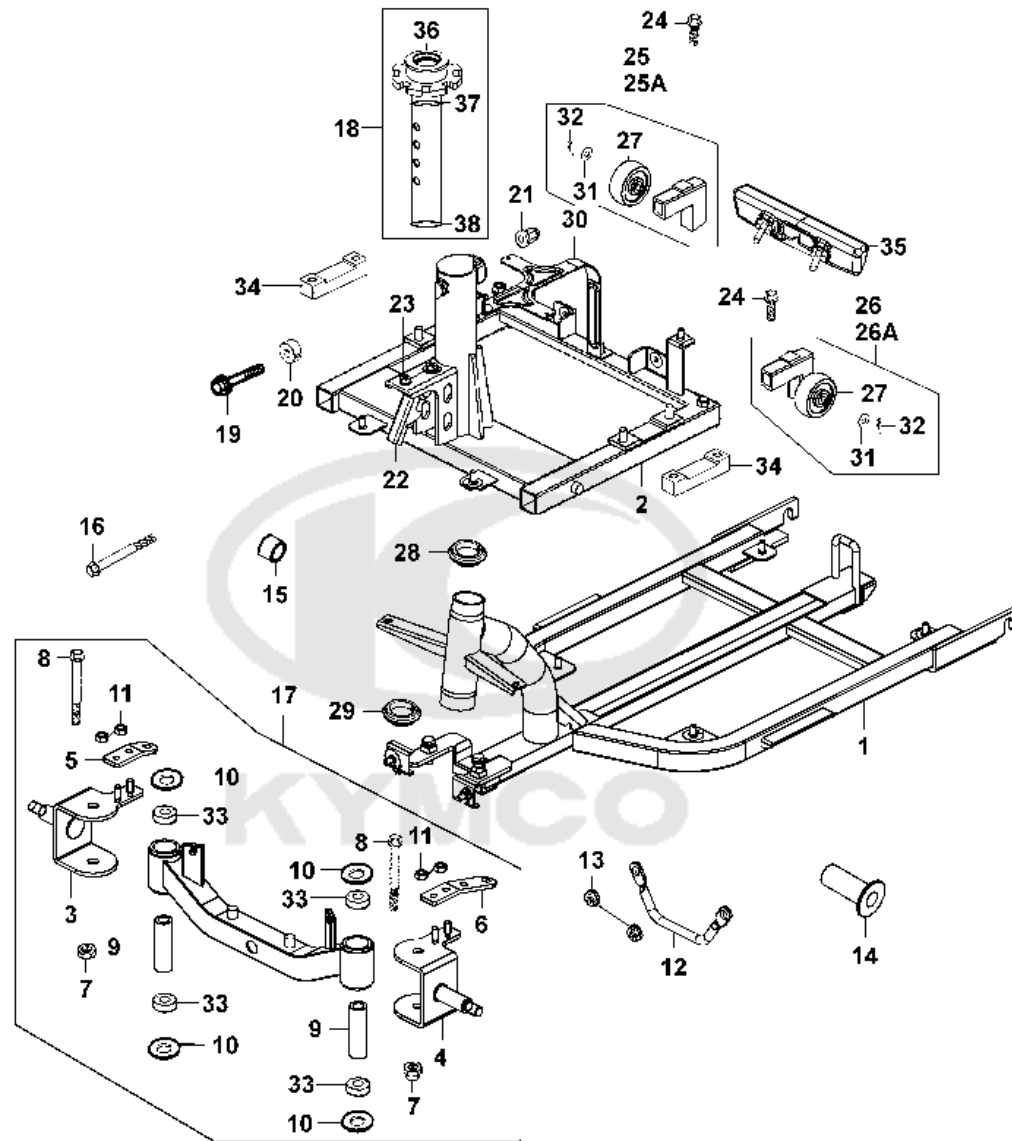
Sales mark	Ref no	Part no	Description	Reg description	Regd no	Ref Price	<b>F09</b>
------------	--------	---------	-------------	-----------------	---------	-----------	------------

22		93600-02008-0A	SCREW FLAT 2.5*8	SCREW FLAT 2.5*8	6	3.25	
9		93901-32120-G	SCREW TAPPING 3*8	SCREW TAPPING 3*8	2	3.25	
7		93903-25460	SCREW TAPPING 5*20 **93903-25480	SCREW TAPPING 5*20 **93903-25480	2	0.25	
21		94050-06080-G	NUT FLANGE 6MM	NUT FLANGE 6MM	6	0.49	



F10

Frame Body

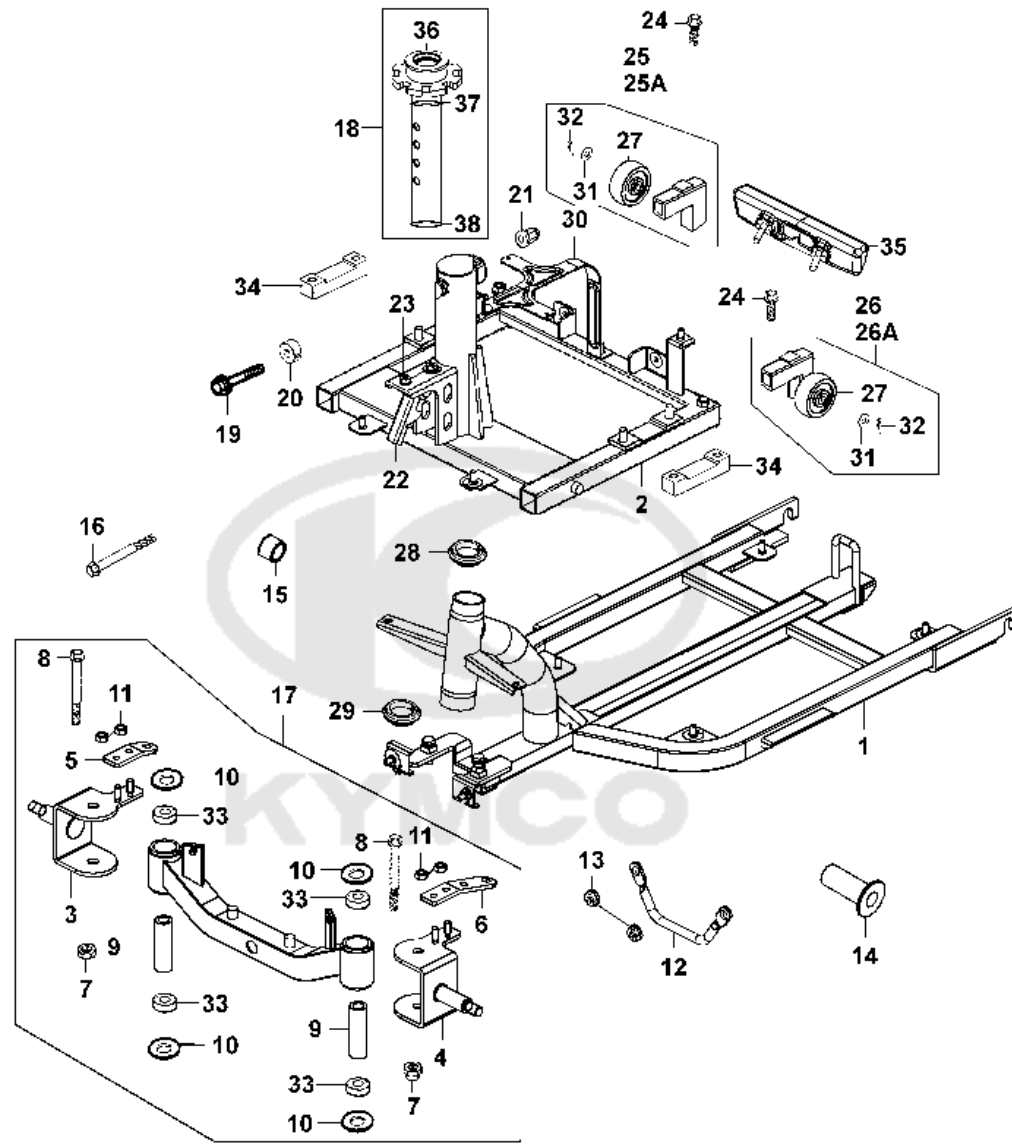




Sales mark	Ref no	Part no	Description	Reg description	Regd no	Ref Price	F10
	27	42800-LAC5-900	ANTI-TIP WHEEL	ANTI-TIP WHEEL	2	3.25	
	3	45100-LBB7-700	Obsolete	Obsolete	1		
	5	45101-LAC5-700	BAR RH STRG	BAR RH STRG	1	3.25	
	4	46100-LBB7-700	Obsolete	Obsolete	1		
	6	46101-LBB7-700	Obsolete	Obsolete	1		
	9	47403-LBB7-E00	COLLAR STRG SHAFT	COLLAR STRG SHAFT	2	3.25	
	1	50110-LBB7-700	Obsolete	Obsolete	1		
	12	50117-LBB7-E00	BAR FR BUMPER	BAR FR BUMPER	1	5.20	
	2	50120-LAE9-700	Obsolete	Obsolete	1		
	18	50135-LAC5-900	PIPE B SEAT SET **(8) C.2005.09.08	PIPE B SEAT SET **(8) C.2005.09.08	1	18.20	
	36	50136-LAC5-900	RUBBER SEAT SET	RUBBER SEAT SET	1		
	37	50137-LAC5-900	RUBBER A SEAT PIPE	RUBBER A SEAT PIPE	1		
	38	50138-LAC5-900	RUBBER B SEAT PIPE	RUBBER B SEAT PIPE	1		
	30	50225-LAE9-700	STAY ECU	STAY ECU	1	18.64	
	22	5023A-LAE9-E00	Obsolete	Obsolete	1		
	25	5023B-LAE9-305	PIPE R ASSY AUX WHEEL	PIPE R ASSY AUX WHEEL	1		
	25A	5023B-LAE9-306	PIPE R ASSY AUX WHEEL	PIPE R ASSY AUX WHEEL	1		
	26	5023C-LAE9-305	PIPE L ASSY AUX WHEEL	PIPE L ASSY AUX WHEEL	1		
	26A	5023C-LAE9-306	PIPE L ASSY AUX WHEEL	PIPE L ASSY AUX WHEEL	1		
	28	50301-LDB4-001	RACE UP STRG BALL	RACE UP STRG BALL	1	3.25	

F10

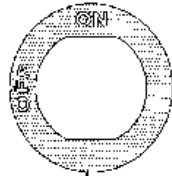
Frame Body



Sales mark	Ref no	Part no	Description	Reg description	Regd no	Ref Price	F10
	20	50303-LAC5-900	COLLAR SEAT SET PIPE	COLLAR SEAT SET PIPE	1	3.25	
	34	50305-LAC5-900	RUBBER MOTOR	RUBBER MOTOR	2	4.55	
	29	50305-LDB4-004	RACE UNDER STRG BALL	RACE UNDER STRG BALL	1	3.25	
	21	50312-LAC5-900	NUT SEAT LOCK	NUT SEAT LOCK	1		
	10	53402-LBB7-E00	WASHER	WASHER	4	3.25	
	14	53405-LBB7-E00	COLLAR SWING ARM	COLLAR SWING ARM	1		
	15	53406-LBB7-E00	COLLAR SET SWING ARM	COLLAR SET SWING ARM	1		
	17	5340A-LBB7-700	ARM ASSY/P117 **(0) C.2006.02.08	ARM ASSY/P117 **(0) C.2006.02.08	1		
	35	83751-LAE9-E00	BUMPER RR	BUMPER RR	1	19.50	
	11	90301-KKAK-900	NUT U 6MM (Cr)	NUT U 6MM (Cr)	4	0.89	
	7	90304-GHE8-004	NUT U 10MM **GE8-0040 C.2005.03.01	NUT U 10MM **GE8-0040 C.2005.03.01	2	0.68	
	23	94050-06060	NUT FLANGE 6MM	NUT FLANGE 6MM	2	0.49	
	13	94050-06080-G	NUT FLANGE 6MM	NUT FLANGE 6MM	2	0.49	
	31	94101-06800-G	WASHER PLAN 6MM	WASHER PLAN 6MM	2	0.12	
	32	94251-06400	PIN LOCK 6MM	PIN LOCK 6MM	2	0.14	
	24	95701-08020-08G	BOLT FLANGE 8*20	BOLT FLANGE 8*20	2	3.25	
	19	95701-08070-07	BOLT FLANGE 8*70	BOLT FLANGE 8*70	1	3.25	
	16	95801-10075-08	BOLT FLANGE 10X75	BOLT FLANGE 10X75	1	0.83	
	8	95801-10080-06	BOLT FLANGE 10X80	BOLT FLANGE 10X80	2	3.25	
	33	96130-62000-00	BEARING 6200ZZ	BEARING 6200ZZ	4		



1



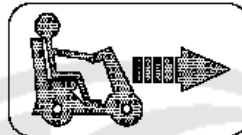
4



7



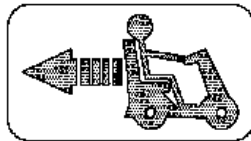
2



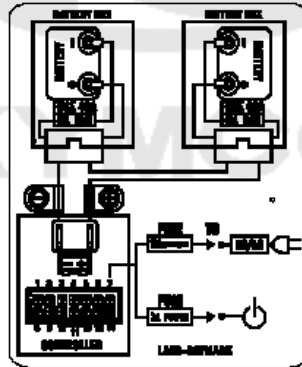
5



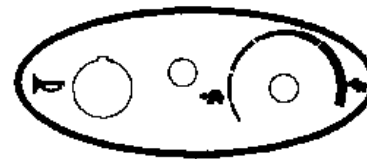
8



3

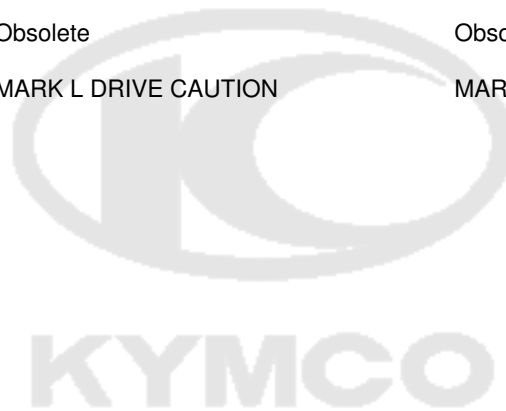


6



9

Sales mark	Ref no	Part no	Description	Reg description	Regd no	Ref Price	F11
**	7	86020-LAC5-E20	EMB DMA STRIDER	EMB DMA STRIDER	1		
**	8	86102-LAC5-E20	Obsolete	Obsolete	1		
**	9	86407-LAE9-E00	STRIPE METER	STRIPE METER	1	3.25	
**	2	87501-LAE9-E00	USE CAUTION SILVER	USE CAUTION SILVER	1	3.25	
	6	87508-LAE9-E00	LABEL BATTERY	LABEL BATTERY	1	3.25	
**	1	87541-LAE9-E00	CAUTION LOCK **E00	CAUTION LOCK **E00	1	3.25	
**	5	87560-LAE9-E00	MARK R DRIVE CAUTION	MARK R DRIVE CAUTION	1	3.25	
**	4	87564-LAE9-E00	Obsolete	Obsolete	1		
**	3	87660-LAE9-E00	MARK L DRIVE CAUTION	MARK L DRIVE CAUTION	1	3.25	



## PART NO. INDEX

PART NO.	VERSION	PAGE	PART NO.	VERSION	PAGE	PART NO.	VERSION	PAGE
<b>11000</b>			32610-LAE9-E00	2	F09	36110-LAE9-E00	3	F09
			32620-LAE9-E00	1	F07			
			32620-LAE9-E01	1	F09	<b>37000</b>		
1110A-LAE9-E00	6	E01						
11302-LAC5-900	0	E01	<b>33000</b>			37806-LAE9-E00	3	F09
<b>13000</b>						<b>42000</b>		
			33731-KFA6-M00	1	F08			
13331-LAC5-900	0	E01	<b>34000</b>			42315-LAC5-900	3	F05
<b>31000</b>						42702-LAE9-E00	1	F04
			34010-LAC5-900	7	F09	42702-LAE9-E00	1	F05
			<b>35000</b>			42705-LAC5-900	5	F05
31280-LAC5-E20	2	F09				42707-LAE9-E00	5	F05
31300-LAE9-E00	4	E01				42800-LAC5-900	6	F10
31340-LAC5-900	0	E01	35101-LAE9-E00	3	F09			
31350-LAE9-900	0	E01	35110-LAC5-900	5	F01	<b>44000</b>		
31500-LAE9-E0A	1	F07	35111-LAE9-900	0	F09			
31800-LAE9-900	1	F09	35115-LAC5-900	1	F09	44315-LAC5-900	3	F04
31800-LAE9-E20	1	F09	35180-LAC5-900	4	F01	44600-LBB7-900	2	F04
<b>32000</b>			<b>36000</b>			44620-LBB7-E00	1	F04
						44650-LBB7-E00	2	F04
						44701-LAC5-900	5	F04
32100-LAE9-E00	3	F09	36000-LAE9-E00	2	F09	44701-LBB6-900	2	F05
32101-LAE9-E00	4	F09	36100-LAE9-E00	1	F09	44705-LAC5-900	7	F04
32201-LAE9-E00	4	F07	36108-LAE9-E01	1	F09	44710-LAE9-900	1	F04
32404-LAE9-E00	1	F09	36109-LAE9-E01	1	F09	44710-LAE9-900	1	F05

## PART NO. INDEX

PART NO.	VERSION	PAGE	PART NO.	VERSION	PAGE	PART NO.	VERSION	PAGE
<b>45000</b>			50225-LAE9-700	1	F10	5310C-LAE9-E00	7	F01
			5023A-LAE9-E00	6	F10	53111-LAE9-E00	2	F01
			5023B-LAE9-305	0	F10	53112-LAE9-E00	2	F01
45100-LBB7-700	3	F10	5023B-LAE9-306	0	F10	53113-LAE9-E00	5	F01
45101-LAC5-700	2	F10	5023C-LAE9-305	0	F10	53114-LAE9-E00	1	F01
<b>46000</b>			5023C-LAE9-306	0	F10	53115-LAE9-E00	3	F01
			50301-LDB4-001	1	F10	53125-LAC5-900	6	F01
			50303-LAC5-900	4	F10	53166-LAE9-E00	3	F01
46100-LBB7-700	3	F10	50305-LAC5-900	2	F10	53200-LBB7-700	3	F03
46101-LBB7-700	2	F10	50305-LDB4-004	1	F10	53205-LAE9-E00	0	F01
<b>47000</b>			50306-1F96-001	0	F03	53206-LAE9-E00	9	F01
			50312-LAC5-900	0	F10	53209-LAE9-E00	3	F01
			50325-LAE9-E00	2	F07	53211-GFY6-940	1	F03
47403-LBB7-E00	5	F10	50326-LAE9-E00	2	F07	53212-LDB4-004	1	F03
<b>50000</b>			50329-LAE9-E00	2	F07	53402-LBB7-E00	5	F10
			50331-LAE9-E00	1	F07	53405-LBB7-E00	0	F10
			50332-LAE9-E00	1	F07	53406-LBB7-E00	0	F10
5010A-LAE9-E00	2	F01	50350-LDB4-900	2	E01	5340A-LBB7-700	5	F10
50110-LBB7-700	4	F10	<b>53000</b>			53700-LBB7-E00	4	F03
50117-LBB7-E00	1	F10				53701-LBB7-E00	3	F03
50120-LAE9-700	4	F10				53702-LAC5-900	6	F03
50135-LAC5-900	9	F10	53100-LAE9-900	4	F01	53703-LAC5-900	6	F03
50136-LAC5-900	4	F10	53100-LAE9-E00	4	F01	53800-LBB7-700	2	F03
50137-LAC5-900	1	F10	53102-LCA1-E00	3	F01	53800-LBB7-E00	4	F03
50138-LAC5-900	0	F10	5310A-LAC5-900	3	F01	53801-LBB7-E00	3	F03
50150-LAE9-E00	1	F01	5310B-LAC5-900	1	F01			

## PART NO. INDEX

PART NO.	VERSION	PAGE	PART NO.	VERSION	PAGE	PART NO.	VERSION	PAGE
<b>64000</b>			<b>87000</b>			90306-GLW0-90A	1	F05
64302-LBB7-E00	1	F02	87501-LAE9-E00	3	F11	90309-GLW0-90A	1	F03
64310-LBB7-E00	2	F02	87508-LAE9-E00	1	F11	90656-KCBC-900	0	F09
64311-LBB7-E00	2	F02	87541-LAE9-E00	1	F11	<b>93000</b>		
64320-LBB7-E00	2	F02	87560-LAE9-E00	3	F11	93500-04025-0F	0	F09
			87564-LAE9-E00	4	F11	93600-02008-0A	0	F07
<b>77000</b>			87660-LAE9-E00	3	F11	93600-02008-0A	0	F09
77100-LAE9-E00	2	F06	<b>88000</b>			93891-04012-06	0	E01
77200-LAE9-E00	3	F06				93901-32120-G	0	F09
77223-LAC5-305	2	F06	88120-LAC5-910	4	F01	93903-14380-G	0	F02
77300-LAE9-E00	2	F06	88130-LAC5-900	2	F01	93903-25460	0	F09
						93903-34380-G	0	F01
<b>83000</b>			<b>90000</b>			93903-GFY6-910	1	F07
83600-LAE9-E00	3	F08	90301-KKAK-900	1	F10	<b>94000</b>		
83751-LAE9-E00	2	F10	90301-LAC5-001	1	F02	94001-08080-0S	0	F03
			90301-LAC5-671	1	F02	94001-LAC5-900	2	F03
<b>86000</b>			90301-LAC5-671	1	F08	94021-08020-0S	0	F04
86020-LAC5-E20	1	F11	90302-GFY6-911	1	F07	94021-08020-0S	0	F05
86102-LAC5-E20	1	F11	90302-LAC5-004	1	F02	94021-08070-0S	0	F01
86407-LAE9-E00	2	F11	90302-LLB1-E00	2	F01	94021-10020-0S	0	F01
			90302-LLB1-E00	2	F08	94050-06060	1	F10
			90304-GHE8-004	0	F10	94050-06080-G	1	F08



## PART NO. INDEX

PART NO.	VERSION	PAGE	PART NO.	VERSION	PAGE	PART NO.	VERSION	PAGE
94050-06080-G	1	F09	96130-62000-00	0	F10			
94050-06080-G	1	F10	96211-05000	26	F03			
94050-08080-G	1	E01	96600-06060-07	1	E01			
94050-08080-G	1	F01	96700-LCA1-E00	2	F01			
94101-06800-G	1	F10						
94101-12800	0	F01						
94111-08800	0	F03						
94111-08800	0	F04						
94111-08800	0	F05						
94251-06400	0	F10						
94510-19000	0	E01						
<b>95000</b>								
95701-08020-08G	1	F10						
95701-08022-00	0	F04						
95701-08022-00	0	F05						
95701-08030-06	0	F03						
95701-08045-06	1	F01						
95701-08070-07	0	F10						
95801-10075-08	0	F10						
95801-10080-06	0	F10						
<b>96000</b>								
96120-60020-00	0	F04						