

# PARTS CATALOGUE



## MOBILITY SCOOTER

EV10ED(UK)

Strider-days



Release Date : 1899/12/31  
Print Date : 2019/11/04

## ABOUT THIS PARTS LIST

- This parts list is compiled all service parts for model EV10ED(UK).
- Any difference between color chart and motorcycle will be revised according to motorcycle.
- The Mark:
  1. Marking "\*\*\*" must add color code in the end before ordering parts.
  2. Marking "#" are parts with modification, Please find the details from e-Parts system.
- When modification or additions to this parts list are made a revised edition at an appropriate time.



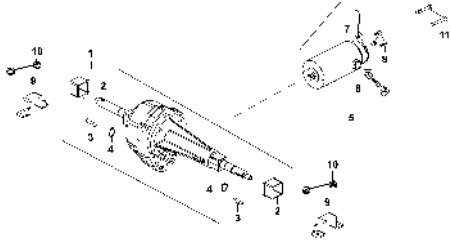
# CONTENTS

● ABOUT THIS PARTS LIST .....	1
● COLOR CHART OF EV10ED(UK) .....	3
● CONTENTS-ENGINE GROUP .....	4
● CONTENTS-FRAME GROUP .....	5
● ENGINE PARTS LIST .....	7
● FRAME PARTS LIST .....	9
● PART NO. INDEX .....	39



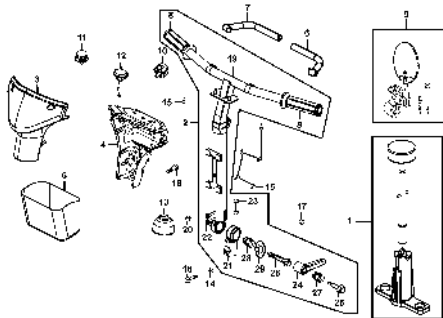
## CONTENTS - ENGINE GROUP

**E01** MOTOR ASSY

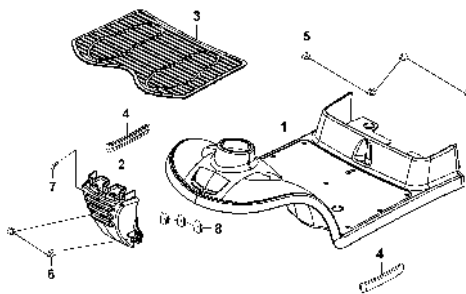


## CONTENTS - FRAME GROUP

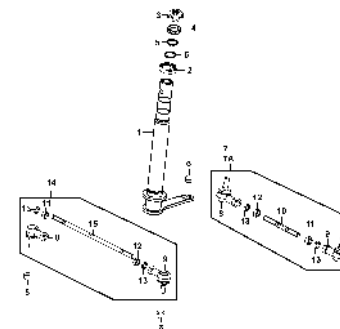
**F01** Handle Steering



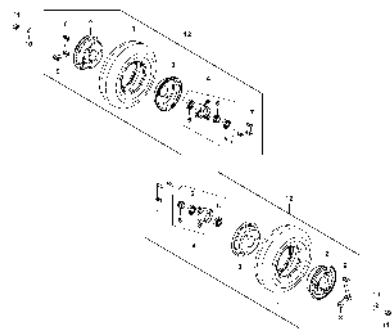
**F02** Floor Panel



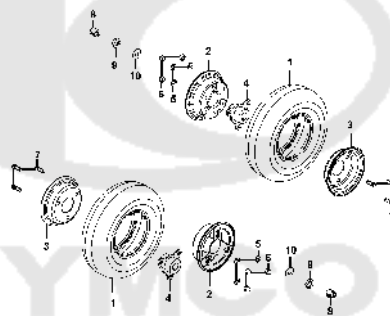
**F03** Stem Steering



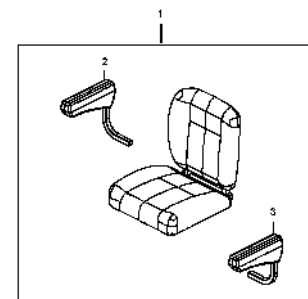
**F04** Front Wheel



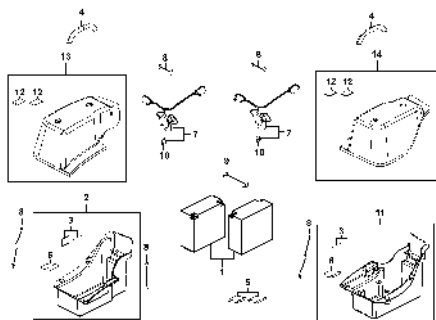
**F05** Rear Wheel



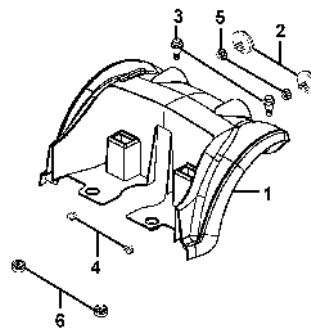
**F06** Seat



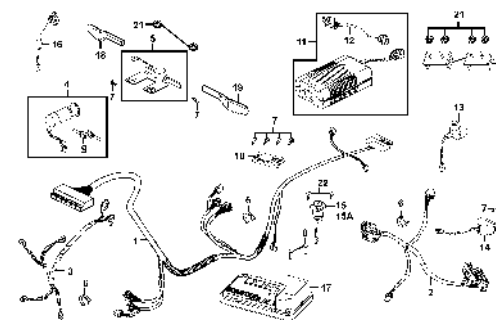
**F07** Battery



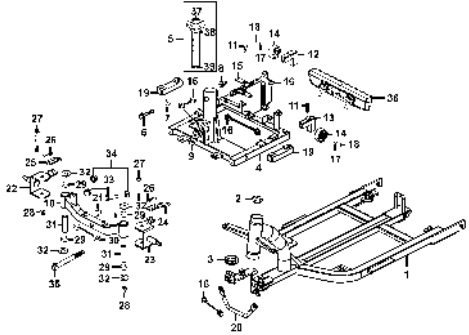
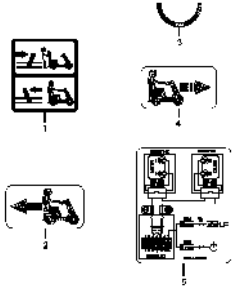
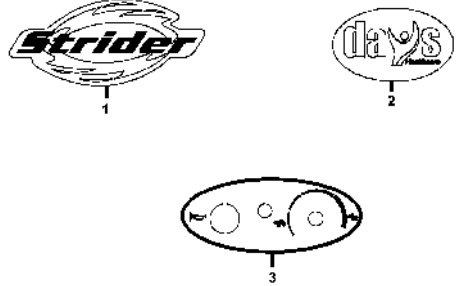

**F08** REFLEX REFLECTOR SIDE



**F09** Harness Wire

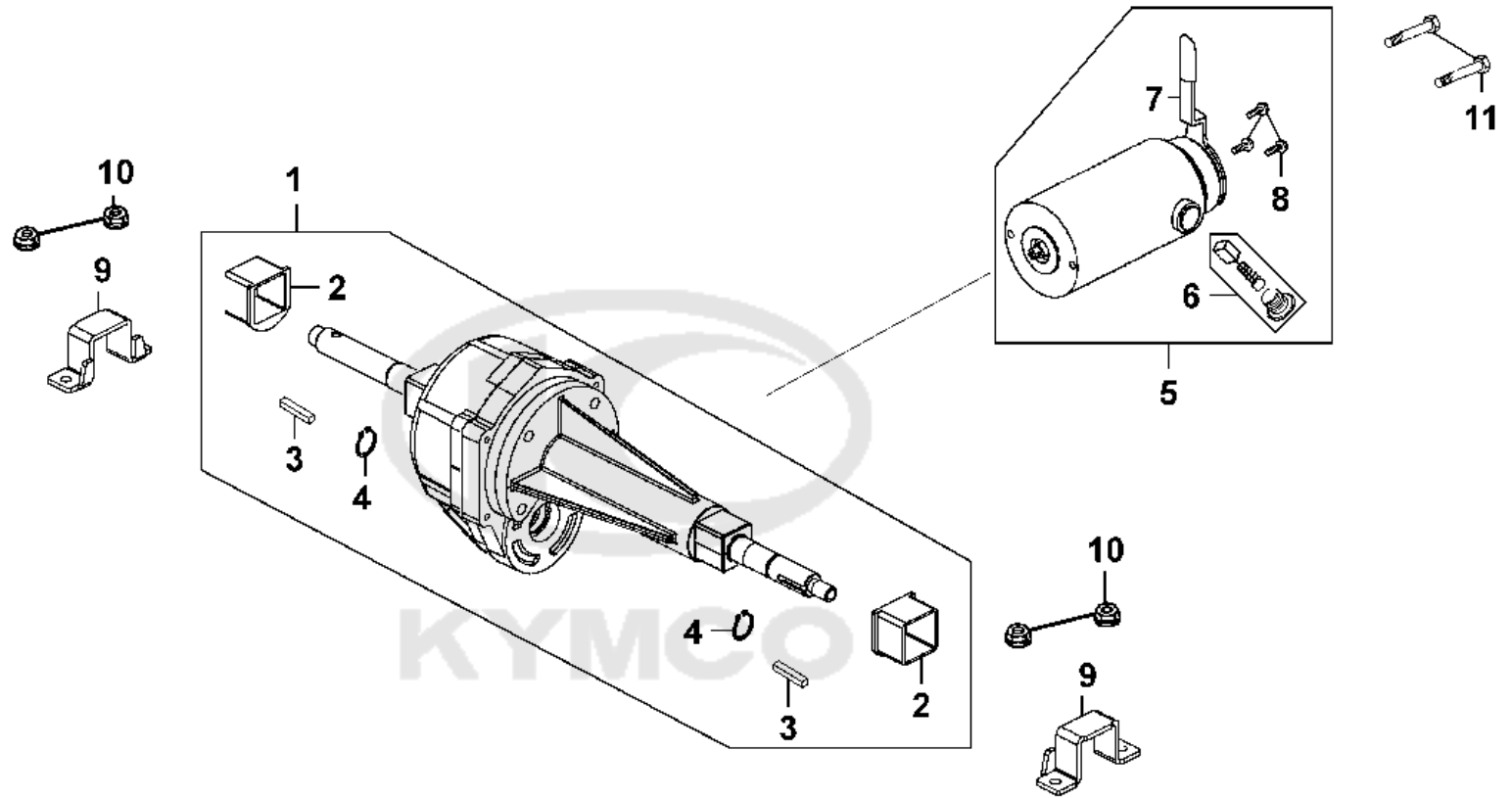


**CONTENTS - FRAME GROUP**

<p><b>F10</b> Frame Body</p>	<p><b>F11</b> Caution Label</p>	<p><b>F12</b> STRIPE</p>
		
		

E01

MOTOR ASSY





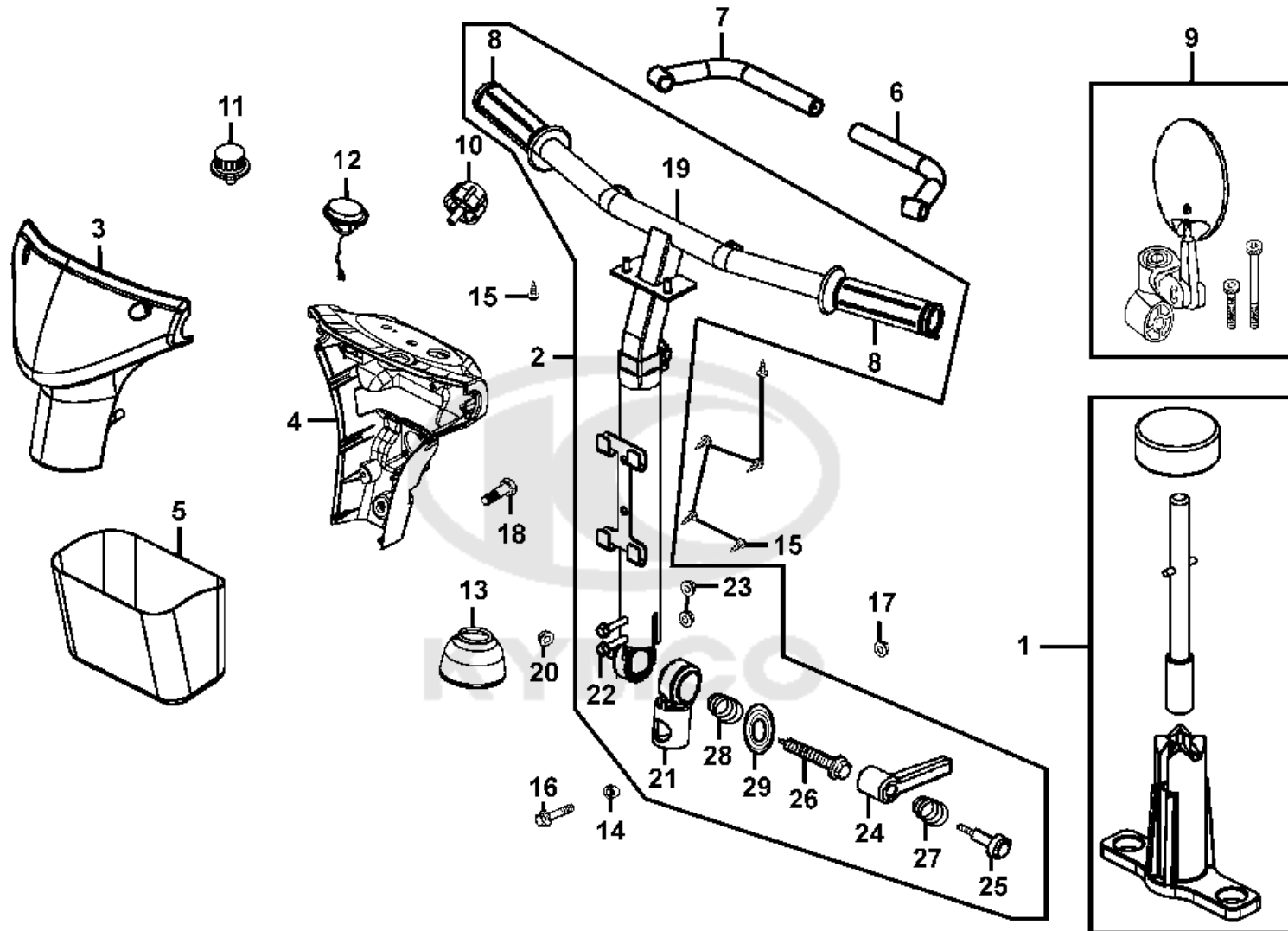
Sales mark	Ref no	Part no	Description	Reg description	Regd no	Ref Price	E01
	1	1110A-LAE9-E00	Obsolete	Obsolete	1		
	2	11302-LAC5-900	RUBBER	RUBBER	2	6.50	
	3	13331-LAC5-900	KEY 4.8*4.8*30	KEY 4.8*4.8*30	2	3.25	
	5	31300-LAE9-E00	ORDER 31300-LAE9-C00	ORDER 31300-LAE9-C00	1	150.00	
	6	31340-LAC5-900	BRUSH ASSY	BRUSH ASSY	1	7.00	
	7	31350-LAE9-900	Obsolete	Obsolete	1		
	9	50350-LDB4-900	CONNECTOR MISSION	CONNECTOR MISSION	1	5.20	
	8	93891-04012-06	SCREW WASHER 4*12	SCREW WASHER 4*12	1	0.13	
	10	94050-08080-G	NUT FLANGE 8MM (C)	NUT FLANGE 8MM (C)	4	0.49	
	4	94510-19000	CIRCLIP EX 1.9	CIRCLIP EX 1.9	4	2.12	
	11	96600-06060-07	SOCKET BOLT 6*60	SOCKET BOLT 6*60	2	3.25	



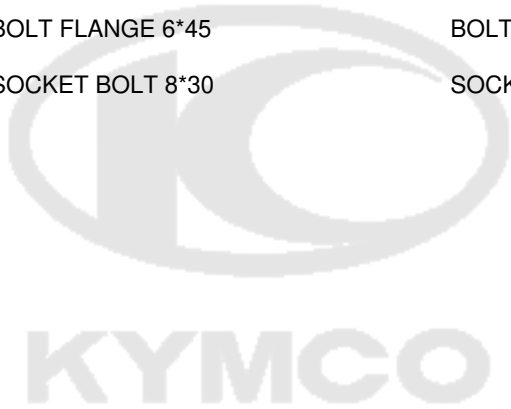
Sales mark	Ref no	Part no	Description	Reg description	Regd no	Ref Price	F01
	11	35110-LAC5-900	SPEED KNOB ALT 35110-LHD7-900	SPEED KNOB ALT 35110-LHD7-900	1	5.20	
	12	35180-LAC5-900	SW UNIT HORN **(2) C.2007.02.05	SW UNIT HORN **(2) C.2007.02.05	1	6.50	
	1	5010A-LAE9-E00	Obsolete	Obsolete	1		
	5	50150-LAE9-E00	ORDER 50150-LHD7-900	ORDER 50150-LHD7-900	1	16.25	
	19	53100-LAE9-E00	Obsolete	Obsolete	1		
	21	53102-LCA1-E00	Obsolete	Obsolete	1		
	6	5310A-LAC5-900	DELTA HANDLE	DELTA HANDLE	1	10.08	
	7	5310B-LAC5-900	Obsolete	Obsolete	1		
	2	5310C-LAE9-E00	Obsolete	Obsolete	1		
	24	53111-LAE9-E00	Obsolete	Obsolete	1		
	25	53112-LAE9-E00	Obsolete	Obsolete	1		
	26	53113-LAE9-E00	Obsolete	Obsolete	1		
	27	53114-LAE9-E00	Obsolete	Obsolete	1		
	28	53115-LAE9-E00	SPRING B REGULATE	SPRING B REGULATE	1	3.25	
	14	53125-LAC5-900	COLLAR HANDLE SET	COLLAR HANDLE SET	1	3.25	
	8	53166-LAE9-E00	HAND GRIP	HAND GRIP	2	3.25	
**	3	53205-LAE9-E00	OBSOLETE	OBSOLETE	1	22.75	
**	4	53206-LAE9-E00	Obsolete ALT 53206-LAE9-E00-NFF	Obsolete ALT 53206-LAE9-E00-NFF	1		
	13	53209-LAE9-E00	Obsolete	Obsolete	1	6.00	
	9	88120-LAC5-910	MIRROR ASSY BACK	MIRROR ASSY BACK	1	16.25	

F01

# Handle Steering

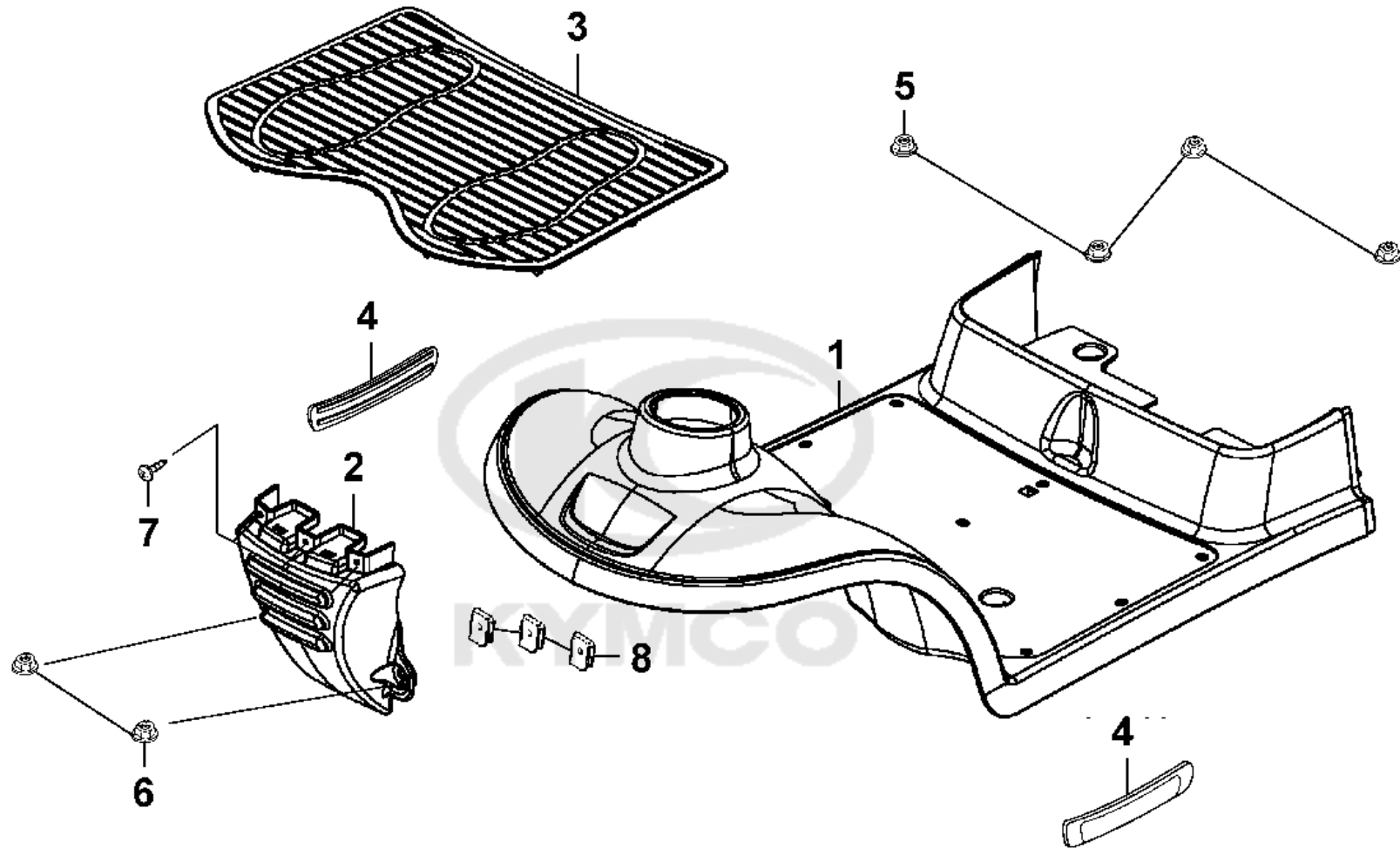


Sales mark	Ref no	Part no	Description	Reg description	Regd no	Ref Price	F01
	10	88130-LAC5-900	CAP HANDLE PIPE	CAP HANDLE PIPE	1	5.00	
	18	90302-LLB1-E00	BOLT WASHER 5*12 **(1) C.2005.06.28	BOLT WASHER 5*12 **(1) C.2005.06.28	1	0.68	
	15	93903-34380-G	SCREW TAPPING 4x12	SCREW TAPPING 4x12	1	3.25	
	23	94021-08070-0S	NUT HEX CAP 8MM	NUT HEX CAP 8MM	2	3.25	
	20	94021-10020-0S	NUT HEX CAP 10MM	NUT HEX CAP 10MM	1	0.52	
	17	94050-08080-G	NUT FLANGE 8MM (C)	NUT FLANGE 8MM (C)	1	0.49	
	29	94101-12800	WASHER PLAIN 12MM	WASHER PLAIN 12MM	1	0.16	
	16	95701-08045-06	BOLT FLANGE 6*45	BOLT FLANGE 6*45	1	0.52	
	22	96700-LCA1-E00	SOCKET BOLT 8*30	SOCKET BOLT 8*30	2	3.25	



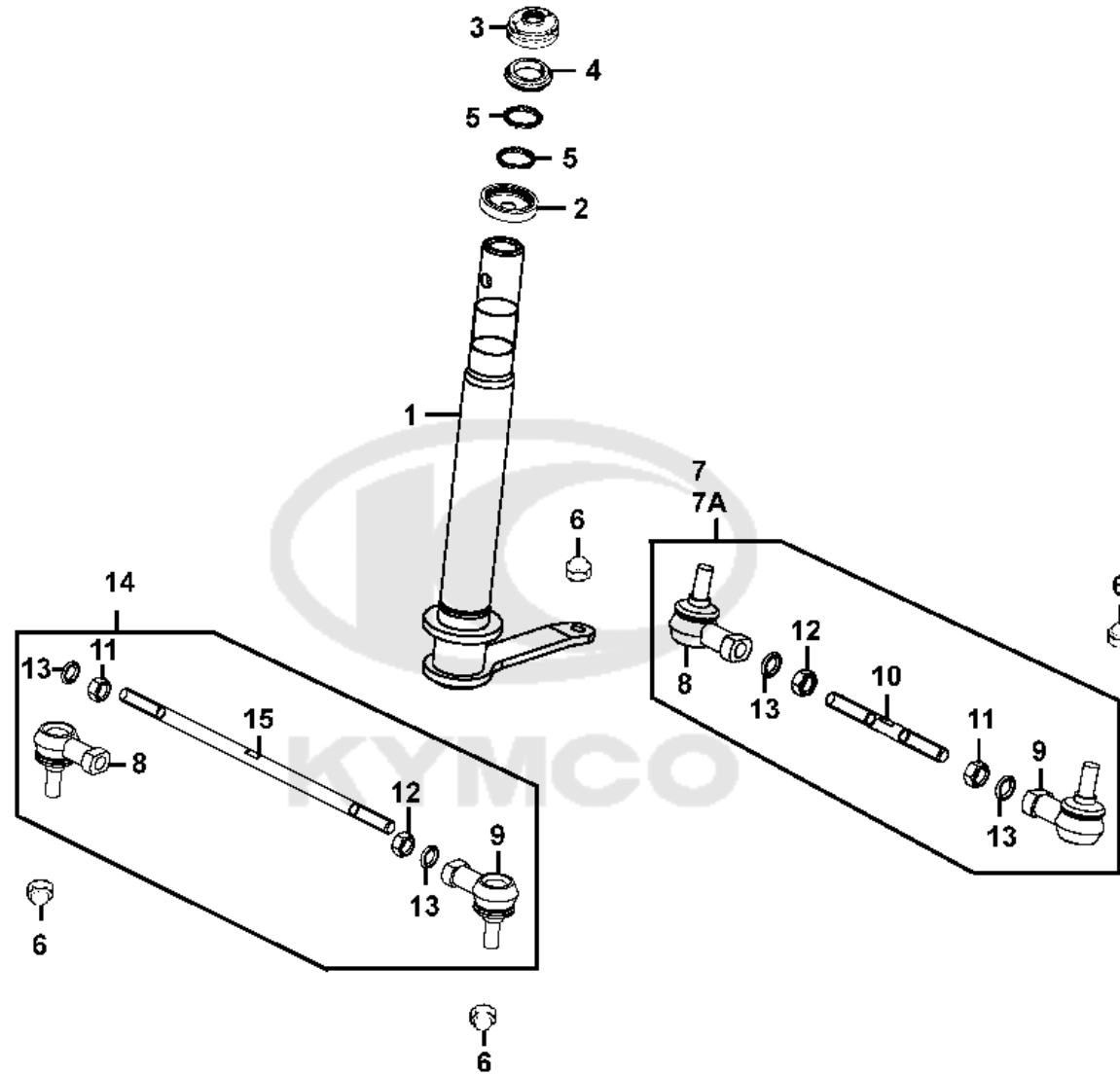
F02

Floor Panel



Sales mark	Ref no	Part no	Description	Reg description	Regd no	Ref Price	F02
**	2	64302-LBB7-E00	FRONT PLASTIC BUMPER- STRIDER	FRONT PLASTIC BUMPER- STRIDER MINI	1		
**	1	64310-LBB7-E00	Obsolete	Obsolete	1	78.00	
**	3	64320-LBB7-E00	MAT FLOOR **(0) C.2006.02.09	MAT FLOOR **(0) C.2006.02.09	1		
	6	90301-LAC5-001	NUT 6MM OPENSTAY	NUT 6MM OPENSTAY	3	3.25	
	5	90301-LAC5-671	NUT FLANGE 6MM	NUT FLANGE 6MM	6	3.25	
	8	90302-LAC5-004	NUT SPRING 4MM	NUT SPRING 4MM	5	3.25	
	7	93903-14380-G	SCREWTAPPING 4x12	SCREWTAPPING 4x12	1	3.25	



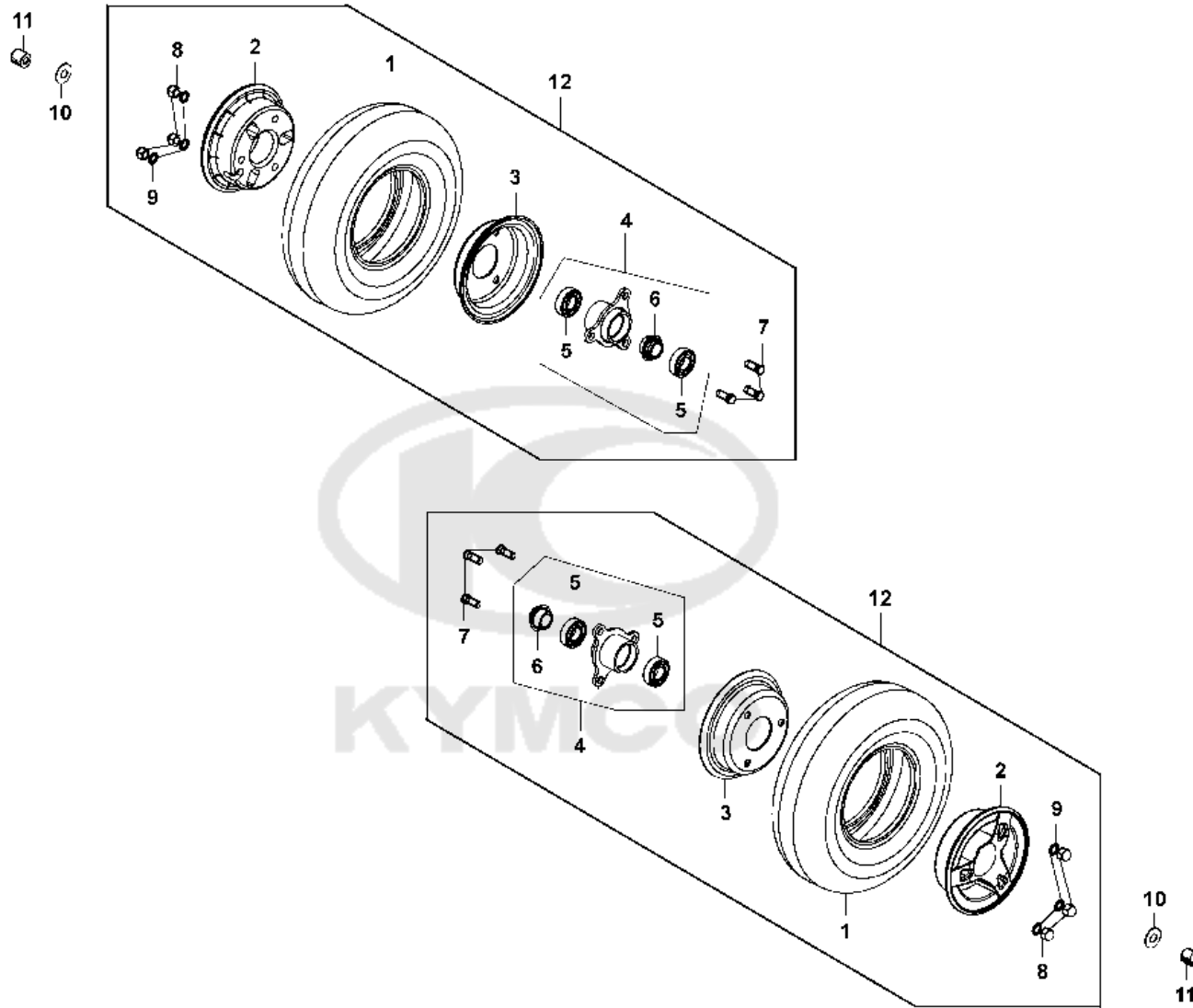




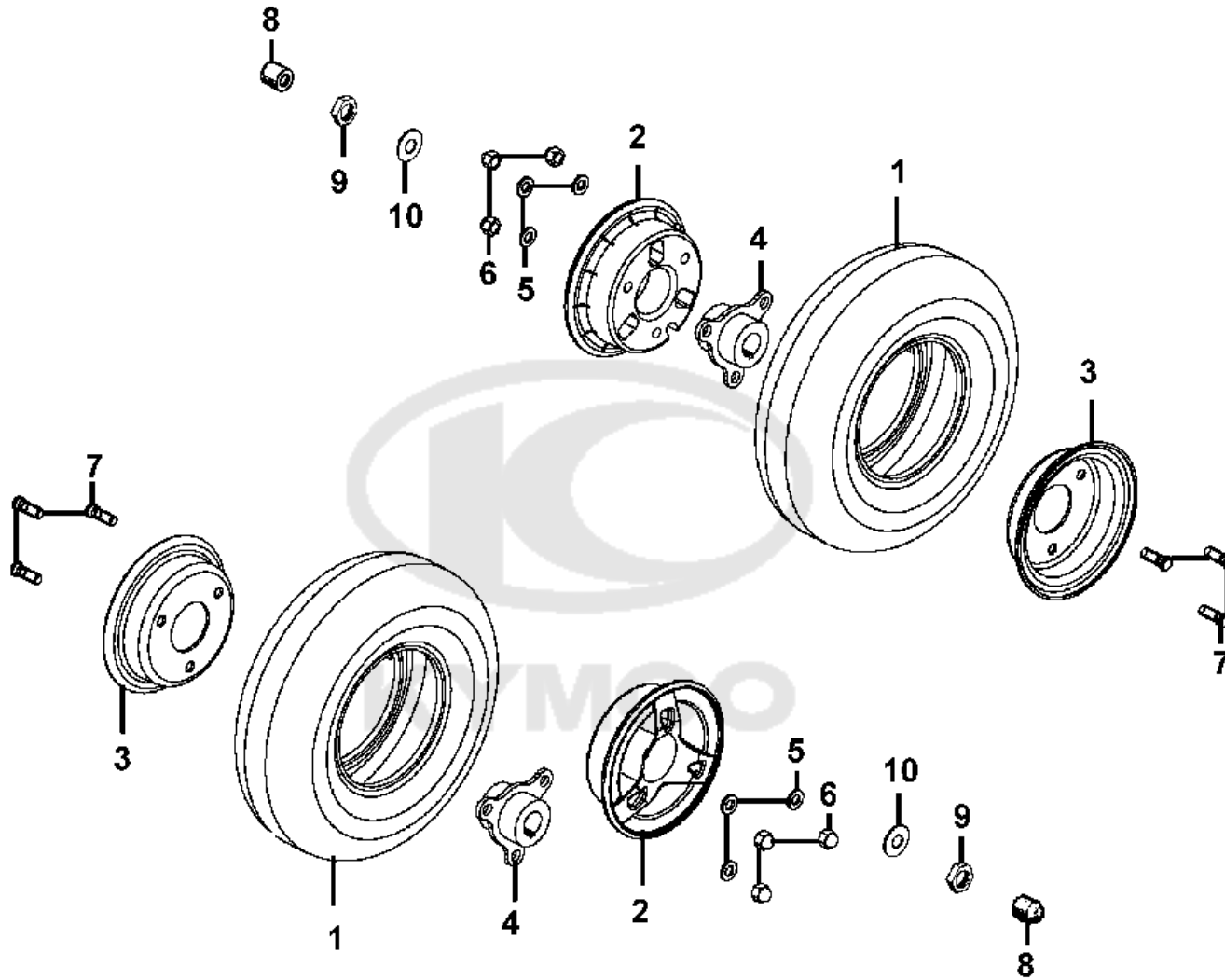
Sales mark	Ref no	Part no	Description	Reg description	Regd no	Ref Price	F03
3		50306-1F96-001	NUT STRG STEM LOCK	NUT STRG STEM LOCK	1	1.18	
1		53200-LBB7-700	Obsolete	Obsolete	1		
4		53211-GFY6-940	RACE STRG TOP CONE **GY6-9400	RACE STRG TOP CONE **GY6-9400	1	1.87	
2		53212-LDB4-004	ORDER 53212-GHC8-004	ORDER 53212-GHC8-004	1	3.25	
14		53700-LBB7-E00	Obsolete	Obsolete	1		
15		53701-LBB7-E00	Obsolete	Obsolete	1		
8		53702-LAC5-900	BALL JOINT R	BALL JOINT R	2	6.50	
9		53703-LAC5-900	JOINT L BALL	JOINT L BALL	2	16.25	
7		53800-LBB7-700	Obsolete	Obsolete	1		
7A		53800-LBB7-E00	Obsolete	Obsolete	1		
10		53801-LBB7-E00	Obsolete	Obsolete	1		
6		90309-GLW0-90A	NUT U FLANGE 8MM **(0) C.2009.03.05	NUT U FLANGE 8MM **(0) C.2009.03.05	4	0.85	
12		94001-08080-0S	NUT HEX 8MM	NUT HEX 8MM	2	0.49	
11		94001-LAC5-900	NUT HEX 8MM L	NUT HEX 8MM L	2	0.55	
13		94111-08800	WASHER SPRING 8MM	WASHER SPRING 8MM	4	0.33	
5		96211-05000	BALL BEARING PACK OF 100	BALL BEARING PACK OF 100	55	3.25	

F04

Front Wheel



Sales mark	Ref no	Part no	Description	Reg description	Regd no	Ref Price	F04
	10	42702-LAE9-E00	RIM COMP RR	RIM COMP RR	2	5.53	
	11	44315-LAC5-900	CAP FR AXLE **(0) C.2003.10.22	CAP FR AXLE **(0) C.2003.10.22	2	3.25	
	12	44600-LBB7-900	ORDER 44600-LBB7-C00	ORDER 44600-LBB7-C00	2	45.50	
	4	44620-LBB7-E00	Obsolete	Obsolete	2		
	3	44650-LBB7-E00	WHEEL COMP FR	WHEEL COMP FR	2	18.85	
	2	44701-LAC5-900	RIM CAST FR	RIM CAST FR	2	13.00	
	9	44705-LAC5-900	WASHER 12MM	WASHER 12MM	2	3.25	
	1	44710-LAE9-900	TIRE ASSY FR/2.80/2.50-4 /KENDA	TIRE ASSY FR/2.80/2.50-4 /KENDA	2		
	7	94021-08020-0S	NUT HEX CAP 8MM	NUT HEX CAP 8MM	6	3.25	
	8	94111-08800	WASHER SPRING 8MM	WASHER SPRING 8MM	6	0.33	
	6	95701-08022-00	BOLT FLANGE 8X22	BOLT FLANGE 8X22	6		
	5	96120-60020-00	BEARING RAD 6002	BEARING RAD 6002	4	4.74	

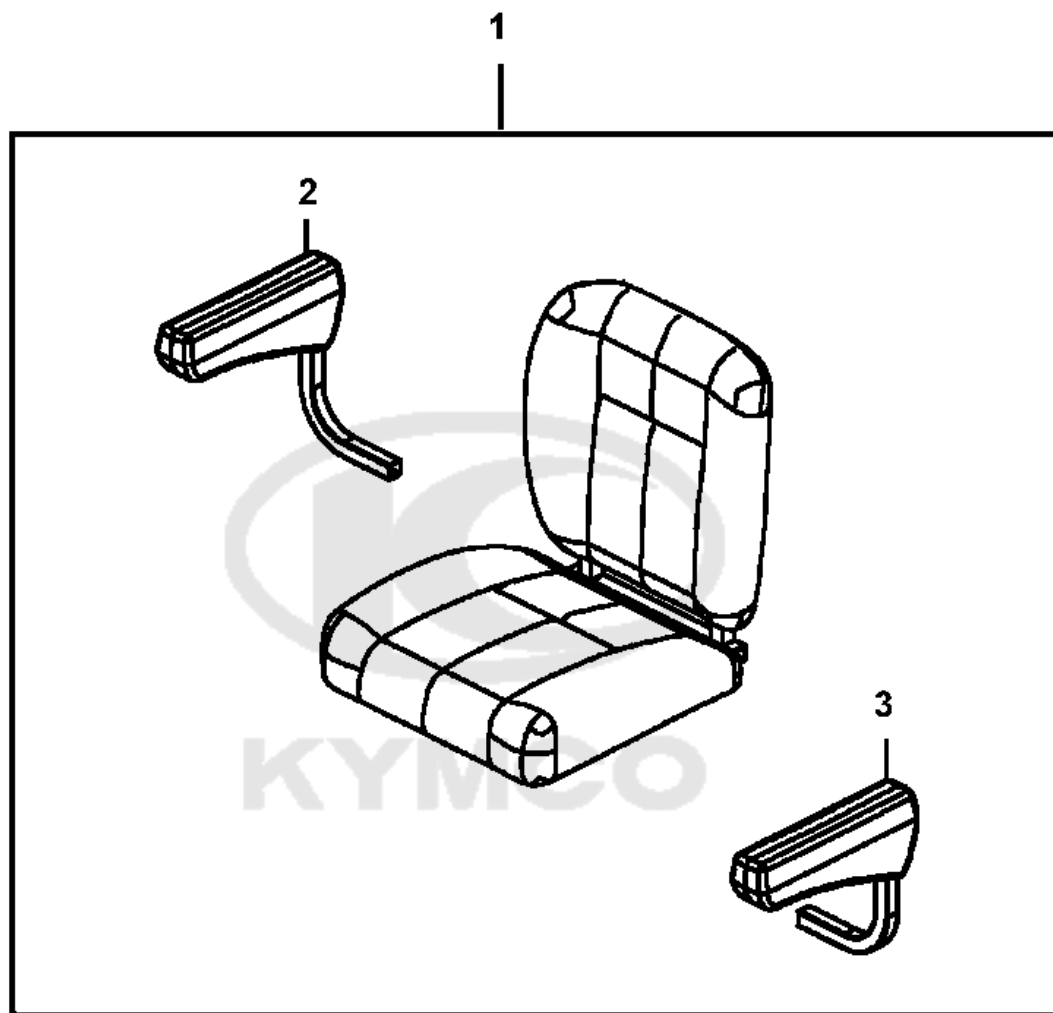


Sales mark	Ref no	Part no	Description	Reg description	Regd no	Ref Price	F05
	8	42315-LAC5-900	CAP RR AXLE **(0) C.2003.10.22	CAP RR AXLE **(0) C.2003.10.22	2	3.25	
	3	42702-LAE9-E00	RIM COMP RR	RIM COMP RR	2	5.53	
	10	42705-LAC5-900	WASHER 12MM RR WHEEL	WASHER 12MM RR WHEEL	2	3.25	
	4	42707-LAE9-E00	CONNECTOR RR WHEEL	CONNECTOR RR WHEEL	2	5.20	
	2	44701-LBB6-900	RIM COMP FR **(2) C.V.	RIM COMP FR **(2) C.V.	2	13.00	
	1	44710-LAE9-900	TIRE ASSY FR/2.80/2.50-4 /KENDA	TIRE ASSY FR/2.80/2.50-4 /KENDA	2		
	9	90306-GLW0-90A	NUT FLANGE 12MM **(0) C.2009.03.05	NUT FLANGE 12MM **(0) C.2009.03.05	1	0.85	
	6	94021-08020-0S	NUT HEX CAP 8MM	NUT HEX CAP 8MM	6	3.25	
	5	94111-08800	WASHER SPRING 8MM	WASHER SPRING 8MM	6	0.33	
	7	95701-08022-00	BOLT FLANGE 8X22	BOLT FLANGE 8X22	6		



F06

Seat



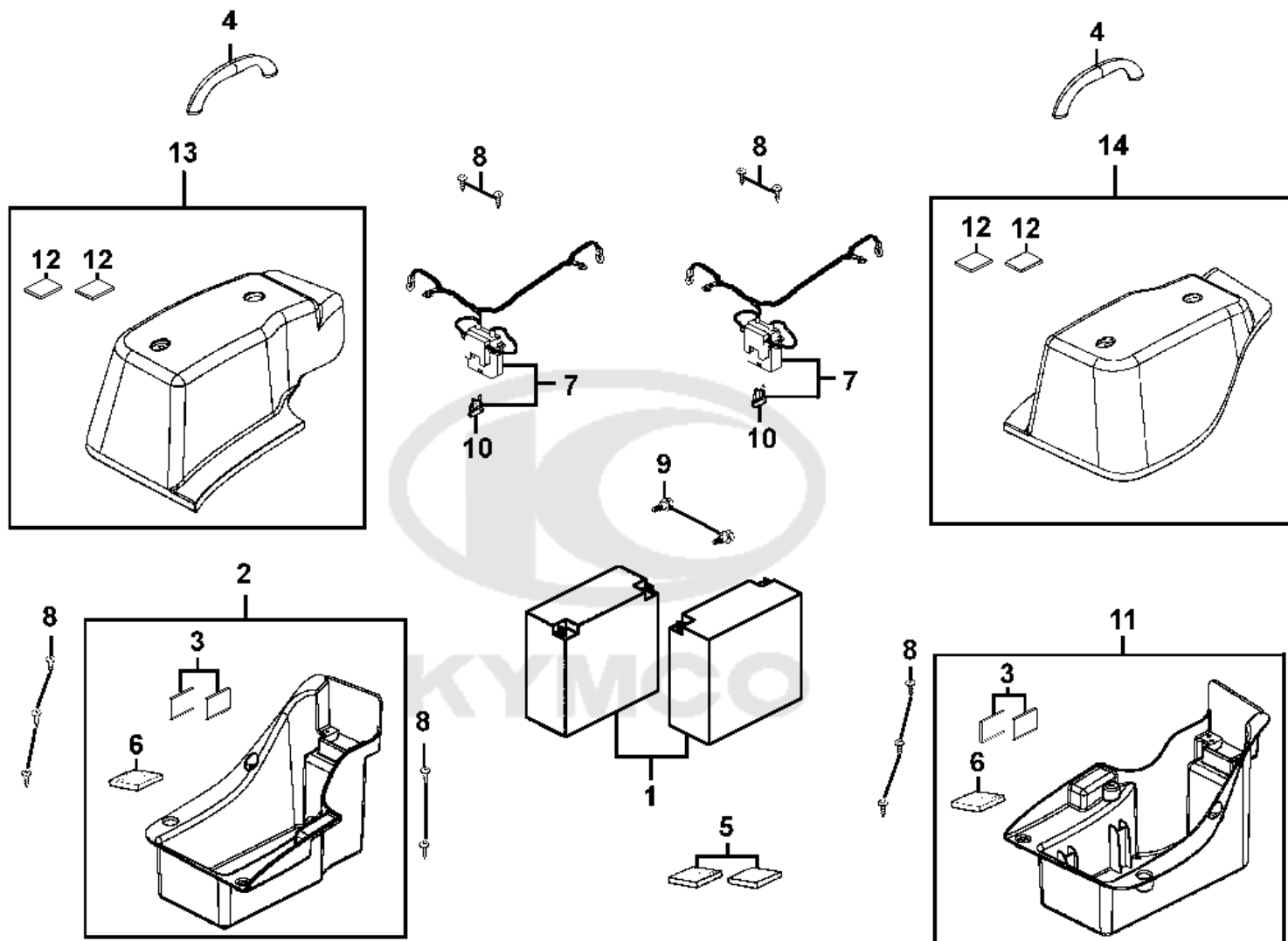
Sales mark	Ref no	Part no	Description	Reg description	Regd no	Ref Price	<b>F06</b>
------------	--------	---------	-------------	-----------------	---------	-----------	------------

2		77100-LAE9-E00	Obsolete	Obsolete	1		
1		77200-LAE9-E00	Obsolete	Obsolete	1		
3		77300-LAE9-E00	Obsolete	Obsolete	1		



F07

# Battery

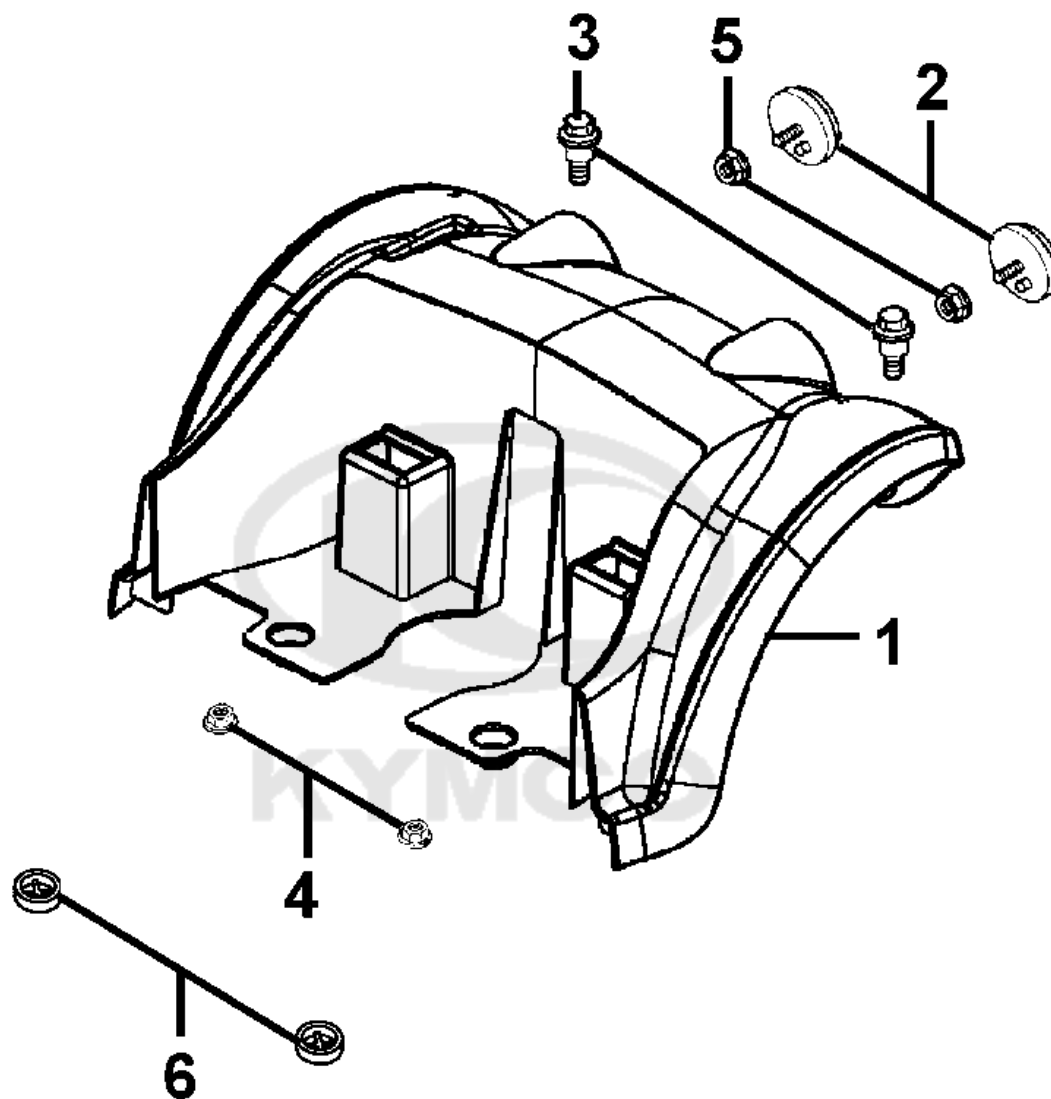




Sales mark	Ref no	Part no	Description	Reg description	Regd no	Ref Price	F07
	1	31500-LAE9-E0D	BATTERY ALT 31500-BAT22	BATTERY ALT 31500-BAT22	2		
	7	32201-LAE9-E01	CONNECT CORD BATTERY	CONNECT CORD BATTERY	2	18.20	
	4	50329-LAE9-E00	GRIP ALT 50329-LAE9-E01	GRIP ALT 50329-LAE9-E01	2		
	2	5032A-LAE9-E01	ORDER 5032A-LAE9-C00	ORDER 5032A-LAE9-C00	1	13.00	
	11	5032B-LAE9-E01	CASE ASSY BATTERY R/H(17AH)	CASE ASSY BATTERY R/H(17AH)	1	13.00	
	13	5032C-LAE9-E01	COVER ASSY BATTERY RH	COVER ASSY BATTERY RH	1		
	14	5032D-LAE9-E01	COVER ASSY BATTERY RH	COVER ASSY BATTERY RH	1		
	12	50330-LAE9-E01	SPONGE BATTERY	SPONGE BATTERY	4	3.25	
	3	50330-LBA2-E00	SPONGE BATTERY	SPONGE BATTERY	4	4.58	
	5	50331-LAE9-E00	DUAL LOCK M	DUAL LOCK M	2	3.25	
	6	50332-LAE9-E00	DUAL LOCK F **(0) C.2005.03.01	DUAL LOCK F **(0) C.2005.03.01	2		
	9	90302-GFY6-911	BOLT-WASH 5*12	BOLT-WASH 5*12	2	3.25	
	8	93903-GFY6-910	BOLT-WASH 5*12	BOLT-WASH 5*12	2	3.25	
	10	98200-34000	BLADE FUSE 40A	BLADE FUSE 40A	1	1.27	

F08

REFLEX REFLECTOR SIDE



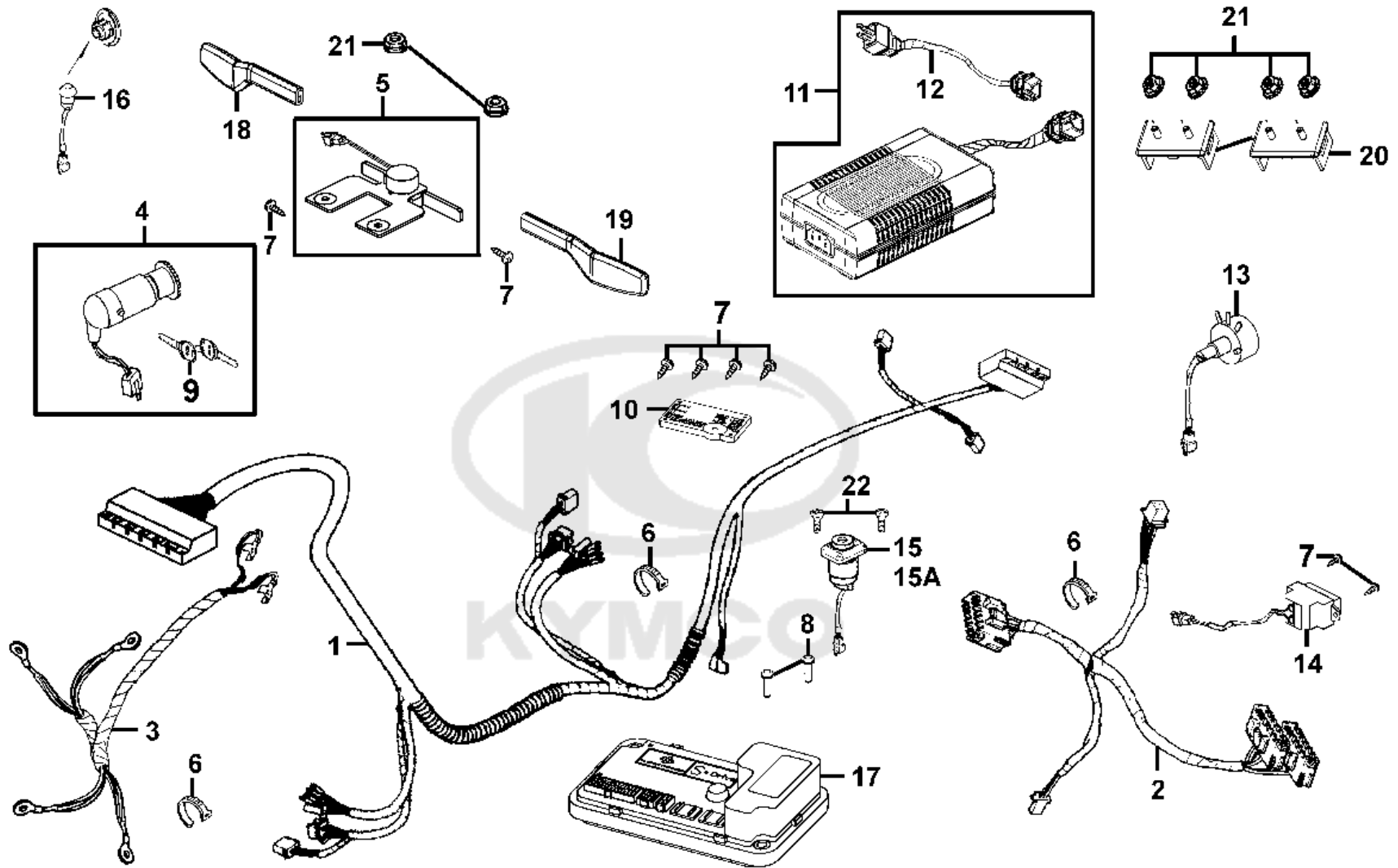
Sales mark	Ref no	Part no	Description	Reg description	Regd no	Ref Price	<b>F08</b>
------------	--------	---------	-------------	-----------------	---------	-----------	------------

2		33731-KFA6-M00	USE 33731-KFA6-C00	USE 33731-KFA6-C00	2	3.25	
6		64316-LAE9-E00	ORDER 64316-LAE9-C00	ORDER 64316-LAE9-C00	2	3.25	
4		90301-LAC5-671	NUT FLANGE 6MM	NUT FLANGE 6MM	6	3.25	
3		90302-LLB1-E00	BOLT WASHER 5*12 **(1) C.2005.06.28	BOLT WASHER 5*12 **(1) C.2005.06.28	2	0.68	
5		94050-06080-G	NUT FLANGE 6MM	NUT FLANGE 6MM	2	0.49	



F09

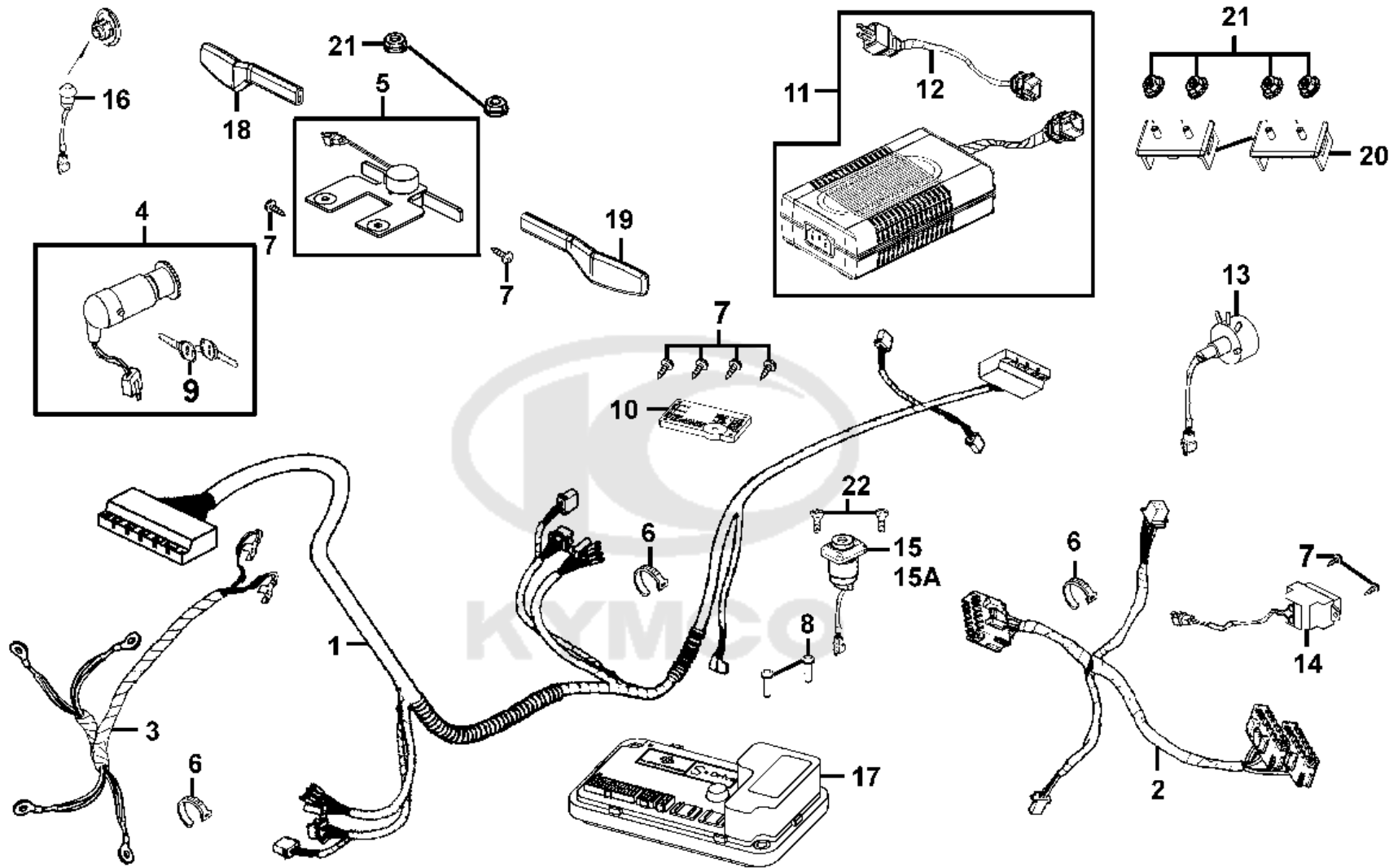
Harness Wire



Sales mark	Ref no	Part no	Description	Reg description	Regd no	Ref Price	F09
	12	31280-LAC5-E20	CORD AC POWER	CORD AC POWER	1	6.50	
	11	31800-LAE9-E20	BATTERY CHARGER ASSY	BATTERY CHARGER ASSY	1	70.00	
	1	32100-LAE9-E00	Obsolete	Obsolete	1	19.50	
	2	32101-LAE9-E00	SUB HARNESS A	SUB HARNESS A	1	9.75	
	3	32404-LAE9-E00	POWER CORD	POWER CORD	1	11.70	
	20	32610-LAE9-E00	COUPLER M BATTERY	COUPLER M BATTERY	2	13.00	
	15	32620-LAE9-E00	SOCKET CHARGER	SOCKET CHARGER	1	8.45	
	15A	32620-LAE9-E01	SOCKET CHARGER	SOCKET CHARGER	1	8.45	
	5	34010-LAC5-900	THROTTLE	THROTTLE	1	39.00	
	4	35101-LAE9-E00	AIT 35101-LAE9-E01	AIT 35101-LAE9-E01	1	16.25	
	9	35111-LAE9-900	ALT 35111-LAE9-E01	ALT 35111-LAE9-E01	2	5.85	
	13	35115-LAC5-900	SPEED POT 20K?	SPEED POT 20K?	1	11.70	
	17	36000-LAE9-E00	Obsolete	Obsolete	1		
	10	36100-LAE9-E00	CONTROL METER	CONTROL METER	1		
	18	36108-LAE9-E01	LEVER RH THROTTLE **(0)	LEVER RH THROTTLE **(0) C.2005.03.01	1		
	19	36109-LAE9-E01	LEVER LH THROTTLE **(0)	LEVER LH THROTTLE **(0) C.2005.03.01	1		
	16	36110-LAE9-E00	LED	LED	1	3.25	
	14	37806-LAE9-E00	VU METER	VU METER	1	16.25	
	6	90656-KCBC-900	BAND OIL HANDLE **9000 C.2005.03.01	BAND OIL HANDLE **9000 C.2005.03.01	3	0.50	
	8	93500-04025-0F	SCREW PAN 4*25 (G)	SCREW PAN 4*25 (G)	1	0.25	

F09

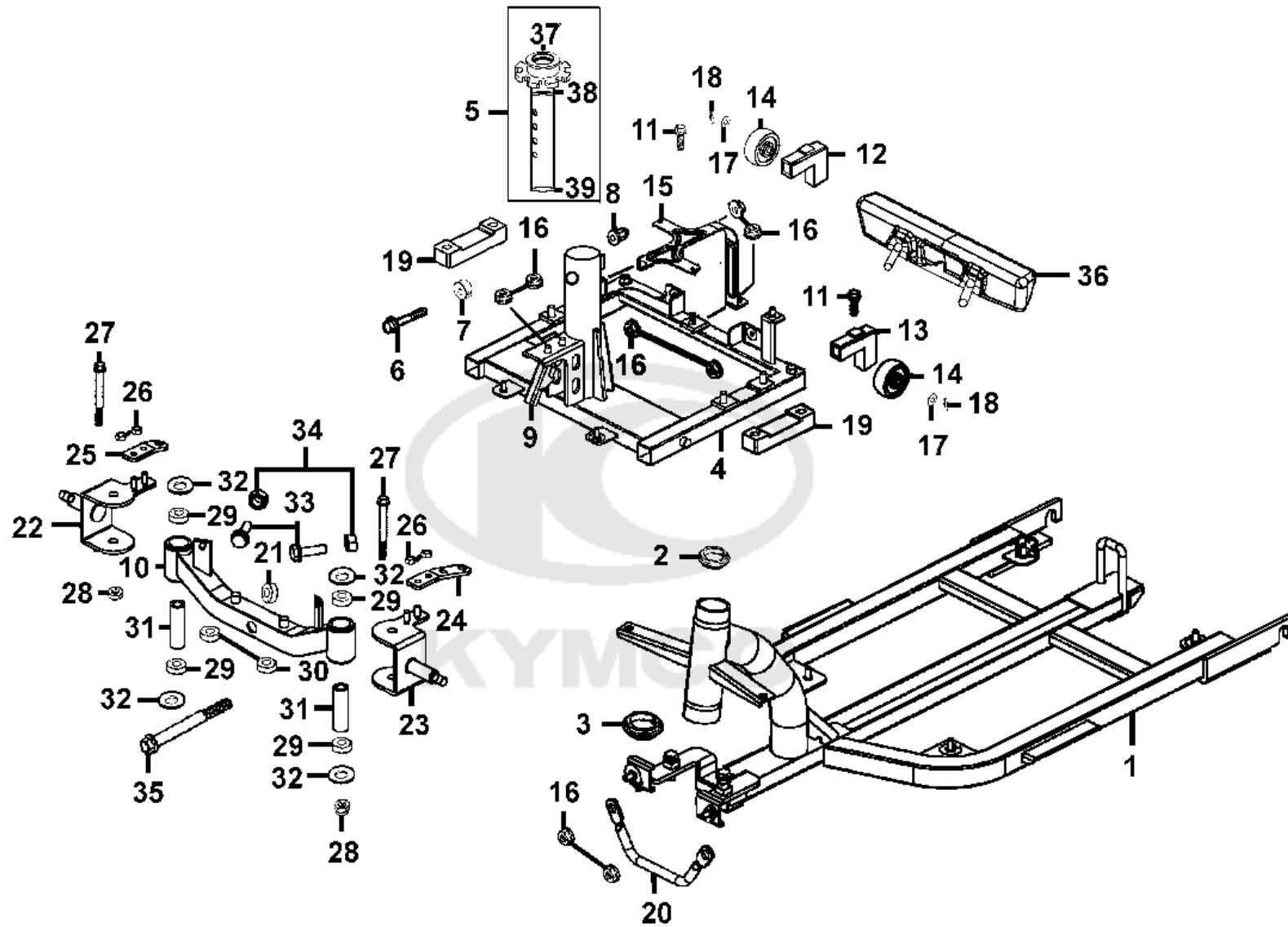
Harness Wire



Sales mark	Ref no	Part no	Description	Reg description	Regd no	Ref Price	<b>F09</b>
------------	--------	---------	-------------	-----------------	---------	-----------	------------

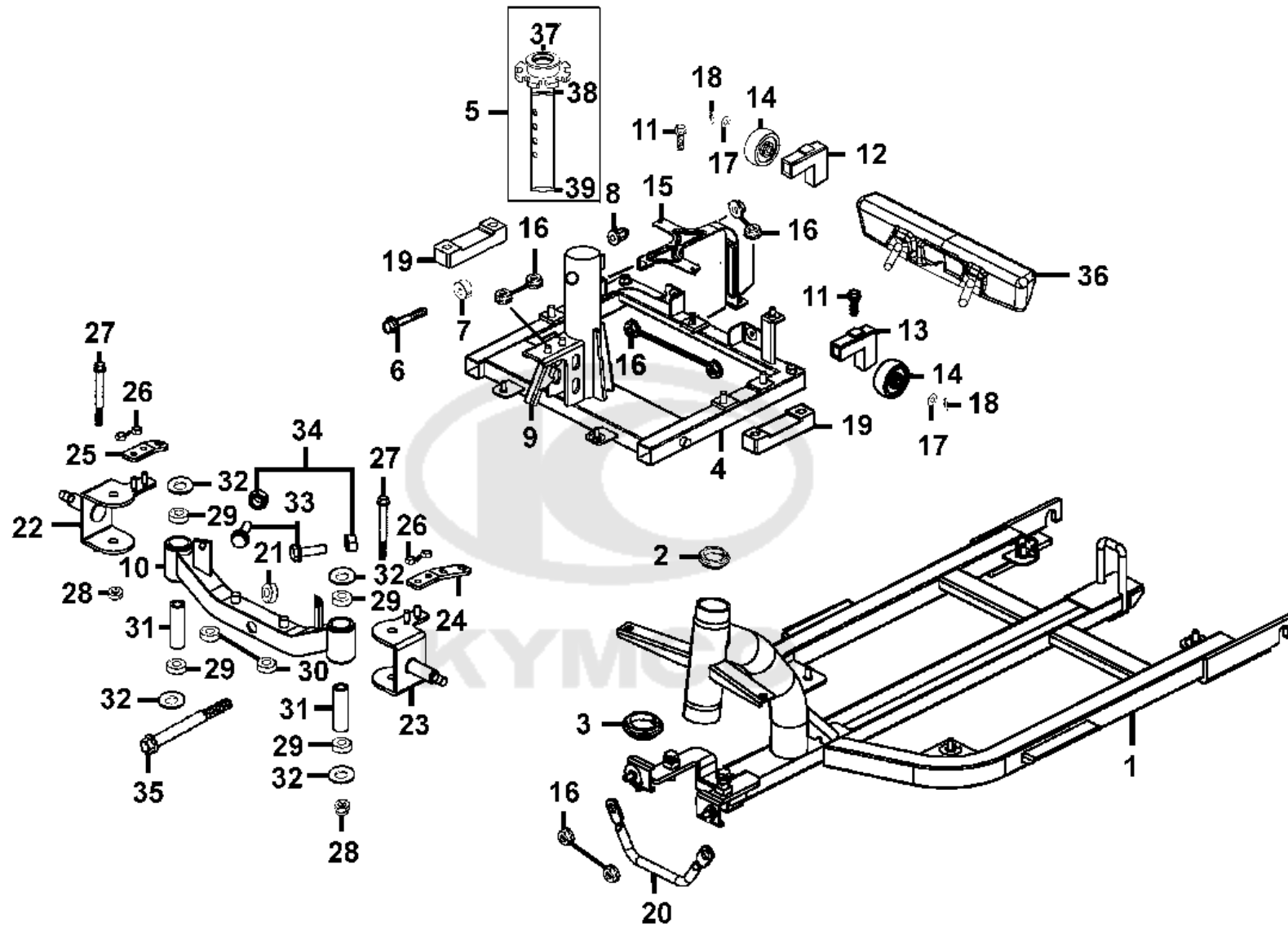
22		93600-02008-0A	SCREW FLAT 2.5*8	SCREW FLAT 2.5*8	2	3.25	
7		93901-32120	SCREW TAPPING 3*8 *(1) C.V.	SCREW TAPPING 3*8 *(1) C.V.	8	0.26	
21		94050-06080-G	NUT FLANGE 6MM	NUT FLANGE 6MM	6	0.49	



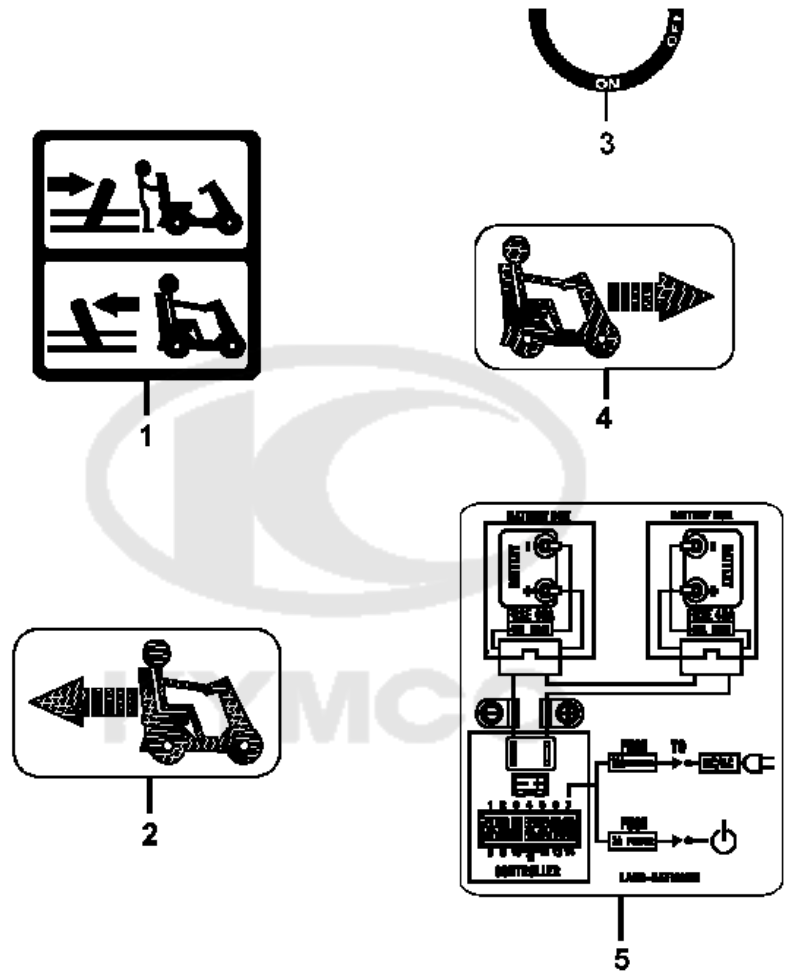




Sales mark	Ref no	Part no	Description	Reg description	Regd no	Ref Price	F10
	14	42800-LAC5-900	ANTI-TIP WHEEL	ANTI-TIP WHEEL	2	3.25	
	22	45100-LBB7-700	Obsolete	Obsolete	1		
	25	45101-LAC5-700	BAR RH STRG	BAR RH STRG	1	3.25	
	23	46100-LBB7-700	Obsolete	Obsolete	1		
	24	46101-LBB7-700	Obsolete	Obsolete	1		
	31	47403-LBB7-E00	COLLAR STRG SHAFT	COLLAR STRG SHAFT	2	3.25	
	1	50110-LBB7-700	Obsolete	Obsolete	1		
	20	50117-LBB7-E00	BAR FR BUMPER	BAR FR BUMPER	1	5.20	
	4	50120-LAE9-700	Obsolete	Obsolete	1		
	5	50135-LAC5-900	PIPE B SEAT SET **(8) C.2005.09.08	PIPE B SEAT SET **(8) C.2005.09.08	1	18.20	
	37	50136-LAC5-900	RUBBER SEAT SET	RUBBER SEAT SET	1		
	38	50137-LAC5-900	RUBBER A SEAT PIPE	RUBBER A SEAT PIPE	1		
	39	50138-LAC5-900	RUBBER B SEAT PIPE	RUBBER B SEAT PIPE	1		
	15	50225-LAE9-700	STAY ECU	STAY ECU	1	18.64	
	12	50231-LAE9-700	PIPE R AUX WHEEL	PIPE R AUX WHEEL	1		
	13	50232-LAE9-700	Obsolete	Obsolete	1		
	9	5023A-LAE9-E00	Obsolete	Obsolete	1		
	2	50301-LDB4-001	RACE UP STRG BALL	RACE UP STRG BALL	1	3.25	
	7	50303-LAC5-900	COLLAR SEAT SET PIPE	COLLAR SEAT SET PIPE	1	3.25	
	19	50305-LAC5-900	RUBBER MOTOR	RUBBER MOTOR	2	4.55	



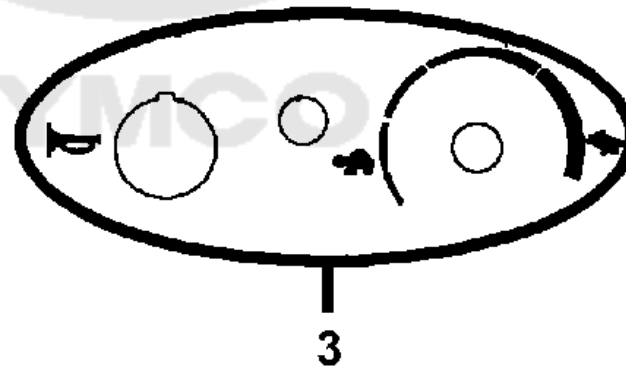
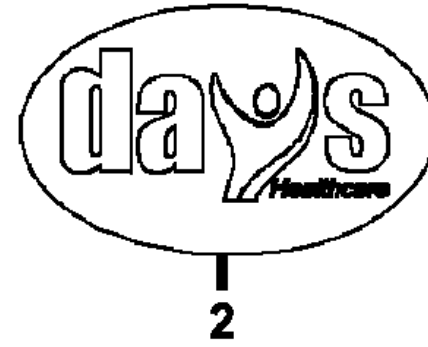
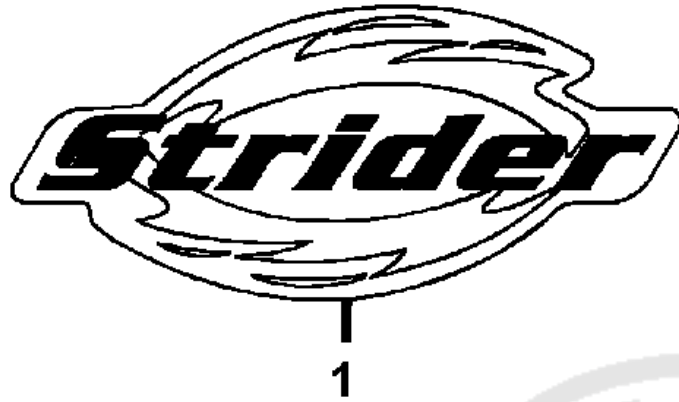
Sales mark	Ref no	Part no	Description	Reg description	Regd no	Ref Price	F10
	3	50305-LDB4-004	RACE UNDER STRG BALL	RACE UNDER STRG BALL	1	3.25	
	10	53401-LBB7-700	Obsolete	Obsolete	1		
	32	53402-LBB7-E00	WASHER	WASHER	4	3.25	
	30	53403-LBB7-E00	RUBBER SWING ARM	RUBBER SWING ARM	2	3.25	
	35	53407-LBB7-E00	USE 53407-LBB7-C00	USE 53407-LBB7-C00	1		
	21	53408-LAC5-900	WASHER 10.2*22*3.2 **(0) C.2005.07.01	WASHER 10.2*22*3.2 **(0) C.2005.07.01	1		
	36	83751-LAE9-E00	BUMPER RR	BUMPER RR	1	19.50	
	26	90301-KKAK-900	NUT U 6MM (Cr)	NUT U 6MM (Cr)	4	0.89	
	28	90304-GHE8-004	NUT U 10MM **GE8-0040 C.2005.03.01	NUT U 10MM **GE8-0040 C.2005.03.01	2	0.68	
	34	94001-06080-0SG	NUT HEX 6MM	NUT HEX 6MM	1	3.25	
	16	94050-06080-G	NUT FLANGE 6MM	NUT FLANGE 6MM	2	0.49	
	8	94050-08060	NUT FLANGE 8MM	NUT FLANGE 8MM	1	0.49	
	17	94101-06800-G	WASHER PLAN 6MM	WASHER PLAN 6MM	2	0.12	
	18	94251-06400	PIN LOCK 6MM	PIN LOCK 6MM	2	0.14	
	11	95701-08020-08G	BOLT FLANGE 8*20	BOLT FLANGE 8*20	2	3.25	
	6	95701-08070-07	BOLT FLANGE 8*70	BOLT FLANGE 8*70	1	3.25	
	27	95801-10080-06	BOLT FLANGE 10X80	BOLT FLANGE 10X80	2	3.25	
	33	96001-06020-06	BOLT FLANGE SH 6*20	BOLT FLANGE SH 6*20	2	0.47	
	29	96130-60000-00	BEARING 6000Z	BEARING 6000Z	4	3.25	



Sales mark	Ref no	Part no	Description	Reg description	Regd no	Ref Price	F11
------------	--------	---------	-------------	-----------------	---------	-----------	-----

**	1	87501-LAE9-E00	USE CAUTION SILVER	USE CAUTION SILVER	1	3.25	
	5	87508-LAE9-E00	LABEL BATTERY	LABEL BATTERY	1	3.25	
**	4	87560-LAE9-E00	MARK R DRIVE CAUTION	MARK R DRIVE CAUTION	1	3.25	
**	3	87564-LAE9-E00	Obsolete	Obsolete	1		
**	2	87660-LAE9-E00	MARK L DRIVE CAUTION	MARK L DRIVE CAUTION	1	3.25	





Sales mark	Ref no	Part no	Description	Reg description	Regd no	Ref Price	F12
------------	--------	---------	-------------	-----------------	---------	-----------	-----

**	1	86020-LAC5-E20	EMB DMA STRIDER	EMB DMA STRIDER	1		
**	2	86102-LAC5-E20	Obsolete	Obsolete	1		
**	3	86407-LAE9-E00	STRIPE METER	STRIPE METER	1	3.25	



## PART NO. INDEX

PART NO.	VERSION	PAGE	PART NO.	VERSION	PAGE	PART NO.	VERSION	PAGE
<b>11000</b>			32620-LAE9-E00	1	F09	<b>37000</b>		
			32620-LAE9-E01	1	F09			
1110A-LAE9-E00	6	E01	<b>33000</b>			37806-LAE9-E00	3	F09
11302-LAC5-900	0	E01						
<b>13000</b>			33731-KFA6-M00	1	F08	<b>42000</b>		
			<b>34000</b>			42315-LAC5-900	3	F05
13331-LAC5-900	0	E01				42702-LAE9-E00	1	F04
			34010-LAC5-900	7	F09	42702-LAE9-E00	1	F05
<b>31000</b>			<b>35000</b>			42705-LAC5-900	5	F05
31280-LAC5-E20	2	F09				42707-LAE9-E00	5	F05
31300-LAE9-E00	4	E01	35101-LAE9-E00	3	F09	42800-LAC5-900	6	F10
31340-LAC5-900	0	E01	35110-LAC5-900	5	F01	<b>44000</b>		
31350-LAE9-900	0	E01	35111-LAE9-900	0	F09			
31500-LAE9-E0D	1	F07	35115-LAC5-900	1	F09	44315-LAC5-900	3	F04
31800-LAE9-E20	1	F09	35180-LAC5-900	4	F01	44600-LBB7-900	2	F04
<b>32000</b>			<b>36000</b>			44620-LBB7-E00	1	F04
32100-LAE9-E00	3	F09	36000-LAE9-E00	2	F09	44650-LBB7-E00	2	F04
32101-LAE9-E00	4	F09	36100-LAE9-E00	1	F09	44701-LAC5-900	5	F04
32201-LAE9-E01	0	F07	36108-LAE9-E01	1	F09	44701-LBB6-900	2	F05
32404-LAE9-E00	1	F09	36109-LAE9-E01	1	F09	44705-LAC5-900	7	F04
32610-LAE9-E00	2	F09	36110-LAE9-E00	3	F09	44710-LAE9-900	1	F04
						44710-LAE9-900	1	F05



## PART NO. INDEX

PART NO.	VERSION	PAGE	PART NO.	VERSION	PAGE	PART NO.	VERSION	PAGE
			50225-LAE9-700	1	F10	5310C-LAE9-E00	7	F01
			50231-LAE9-700	4	F10	53111-LAE9-E00	2	F01
			50232-LAE9-700	4	F10	53112-LAE9-E00	2	F01
45100-LBB7-700	3	F10	5023A-LAE9-E00	6	F10	53113-LAE9-E00	5	F01
45101-LAC5-700	2	F10	50301-LDB4-001	1	F10	53114-LAE9-E00	1	F01
			50303-LAC5-900	4	F10	53115-LAE9-E00	3	F01
			50305-LAC5-900	2	F10	53125-LAC5-900	6	F01
			50305-LDB4-004	1	F10	53166-LAE9-E00	3	F01
46100-LBB7-700	3	F10	50306-1F96-001	0	F03	53200-LBB7-700	3	F03
46101-LBB7-700	2	F10	50329-LAE9-E00	2	F07	53205-LAE9-E00	0	F01
			5032A-LAE9-E01	2	F07	53206-LAE9-E00	9	F01
			5032B-LAE9-E01	2	F07	53209-LAE9-E00	3	F01
			5032C-LAE9-E01	2	F07	53211-GFY6-940	1	F03
47403-LBB7-E00	5	F10	5032D-LAE9-E01	2	F07	53212-LDB4-004	1	F03
			50330-LAE9-E01	1	F07	53401-LBB7-700	2	F10
			50330-LBA2-E00	1	F07	53402-LBB7-E00	5	F10
			50331-LAE9-E00	1	F07	53403-LBB7-E00	1	F10
5010A-LAE9-E00	2	F01	50332-LAE9-E00	1	F07	53407-LBB7-E00	3	F10
50110-LBB7-700	4	F10	50350-LDB4-900	2	E01	53408-LAC5-900	1	F10
50117-LBB7-E00	1	F10				53700-LBB7-E00	4	F03
50120-LAE9-700	4	F10				53701-LBB7-E00	3	F03
50135-LAC5-900	9	F10				53702-LAC5-900	6	F03
50136-LAC5-900	4	F10	53100-LAE9-E00	4	F01	53703-LAC5-900	6	F03
50137-LAC5-900	1	F10	53102-LCA1-E00	3	F01	53800-LBB7-700	2	F03
50138-LAC5-900	0	F10	5310A-LAC5-900	3	F01	53800-LBB7-E00	4	F03
50150-LAE9-E00	1	F01	5310B-LAC5-900	1	F01	53801-LBB7-E00	3	F03

## PART NO. INDEX

PART NO.	VERSION	PAGE	PART NO.	VERSION	PAGE	PART NO.	VERSION	PAGE
<b>64000</b>			<b>87000</b>			90309-GLW0-90A	1	F03
64302-LBB7-E00	1	F02	87501-LAE9-E00	3	F11	90656-KCBC-900	0	F09
64310-LBB7-E00	2	F02	87508-LAE9-E00	1	F11	<b>93000</b>		
64311-LBB7-E00	2	F02	87560-LAE9-E00	3	F11	93500-04025-0F	0	F09
64316-LAE9-E00	2	F08	87564-LAE9-E00	4	F11	93600-02008-0A	0	F09
64320-LBB7-E00	2	F02	87660-LAE9-E00	3	F11	93891-04012-06	0	E01
<b>77000</b>			<b>88000</b>			93901-32120	1	F09
77100-LAE9-E00	2	F06	88120-LAC5-910	4	F01	93903-14380-G	0	F02
77200-LAE9-E00	3	F06	88130-LAC5-900	2	F01	93903-34380-G	0	F01
77300-LAE9-E00	2	F06	<b>90000</b>			93903-GFY6-910	1	F07
<b>83000</b>			<b>94000</b>			<b>94000</b>		
83600-LAE9-E00	3	F08	90301-KKAK-900	1	F10	94001-06080-0SG	0	F10
83751-LAE9-E00	2	F10	90301-LAC5-001	1	F02	94001-08080-0S	0	F03
			90301-LAC5-671	1	F02	94001-LAC5-900	2	F03
			90301-LAC5-671	1	F08	94021-08020-0S	0	F04
<b>86000</b>			90302-GFY6-911	1	F07	94021-08020-0S	0	F05
86020-LAC5-E20	1	F12	90302-LAC5-004	1	F02	94021-08070-0S	0	F01
86102-LAC5-E20	1	F12	90302-LLB1-E00	2	F01	94021-10020-0S	0	F01
86407-LAE9-E00	2	F12	90302-LLB1-E00	2	F08	94050-06080-G	1	F08
			90304-GHE8-004	0	F10	94050-06080-G	1	F09
			90306-GLW0-90A	1	F05	94050-06080-G	1	F10
						94050-08060	0	F10

## PART NO. INDEX

PART NO.	VERSION	PAGE	PART NO.	VERSION	PAGE	PART NO.	VERSION	PAGE
94050-08080-G	1	E01	96700-LCA1-E00	2	F01			
94050-08080-G	1	F01						
94101-06800-G	1	F10	<b>98000</b>					
94101-12800	0	F01						
94111-08800	0	F03	98200-34000	0	F07			
94111-08800	0	F04						
94111-08800	0	F05						
94251-06400	0	F10						
94510-19000	0	E01						
<b>95000</b>								
95701-08020-08G	1	F10						
95701-08022-00	0	F04						
95701-08022-00	0	F05						
95701-08045-06	1	F01						
95701-08070-07	0	F10						
95801-10080-06	0	F10						
<b>96000</b>								
96001-06020-06	0	F10						
96120-60020-00	0	F04						
96130-60000-00	0	F10						
96211-05000	26	F03						
96600-06060-07	1	E01						