

PARTS CATALOGUE



MOBILITY SCOOTER

EV10EF(UK)

Strider-days



Release Date : 1899/12/31
Print Date : 2019/11/04

ABOUT THIS PARTS LIST

- This parts list is compiled all service parts for model EV10EF(UK).
- Any difference between color chart and motorcycle will be revised according to motorcycle.
- The Mark:
 1. Marking "***" must add color code in the end before ordering parts.
 2. Marking "#" are parts with modification, Please find the details from e-Parts system.
- When modification or additions to this parts list are made a revised edition at an appropriate time.

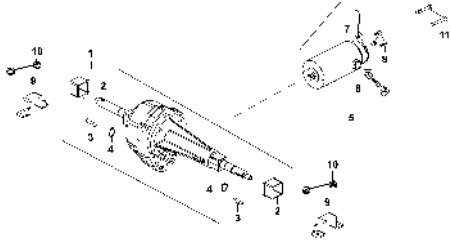


CONTENTS

● ABOUT THIS PARTS LIST	1
● COLOR CHART OF EV10EF(UK)	3
● CONTENTS-ENGINE GROUP	4
● CONTENTS-FRAME GROUP	5
● ENGINE PARTS LIST	7
● FRAME PARTS LIST	9
● PART NO. INDEX	39

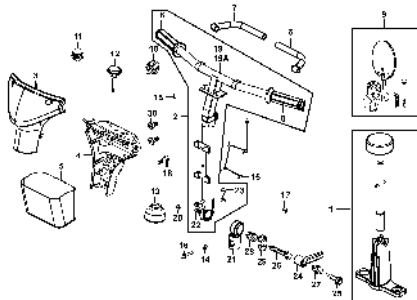
CONTENTS - ENGINE GROUP

E01 Motor

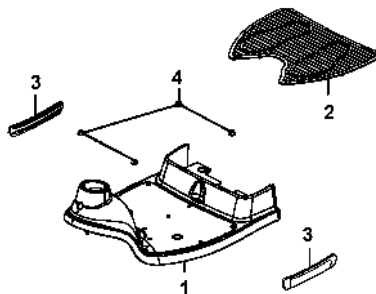


CONTENTS - FRAME GROUP

F01 Handle Steering



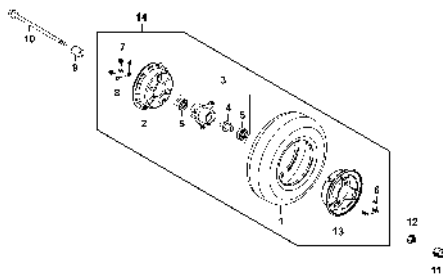
F02 Floor



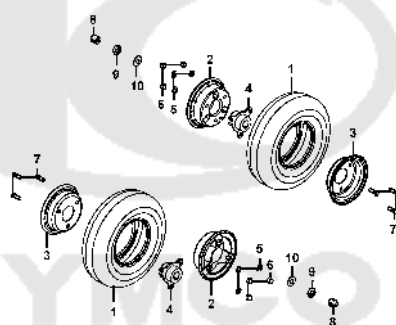
F03 Steering Stem



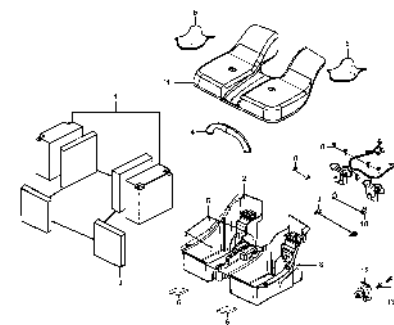
F04 Front Wheel



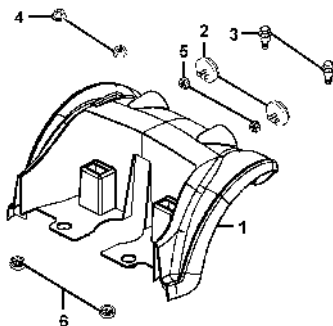
F05 Rear Wheel



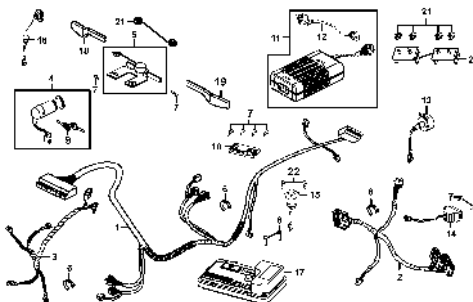
F06 Battery



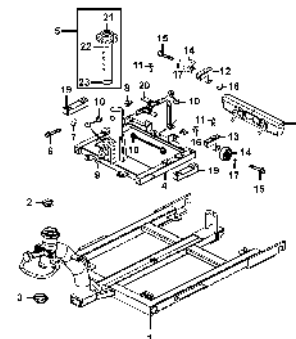
F07 Body Cover



F08 Harness Wire



F09 Frame Body

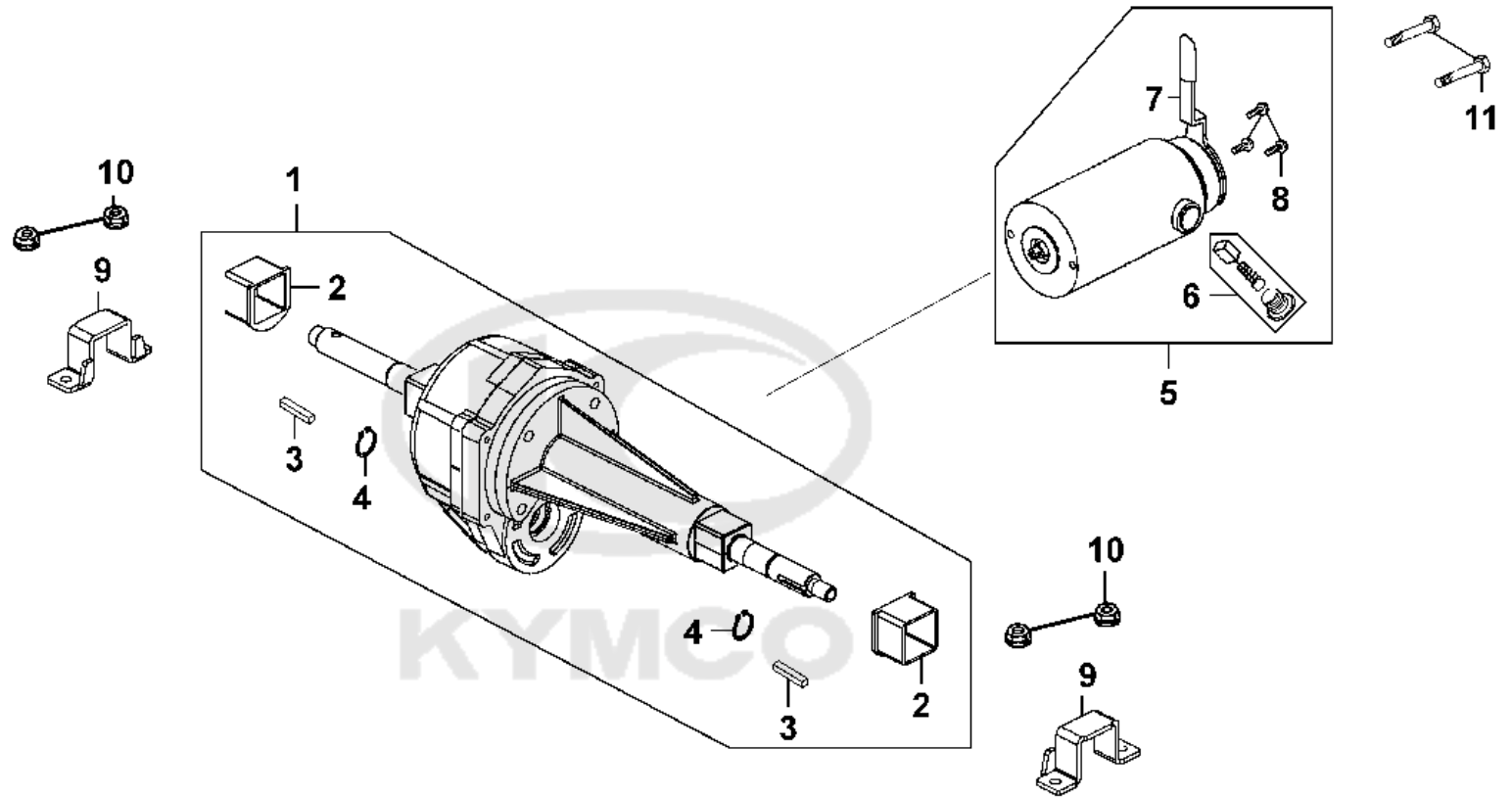


CONTENTS - FRAME GROUP

F10 Caution Label	F11 Stripe	F12 Cardboare Boxes

E01

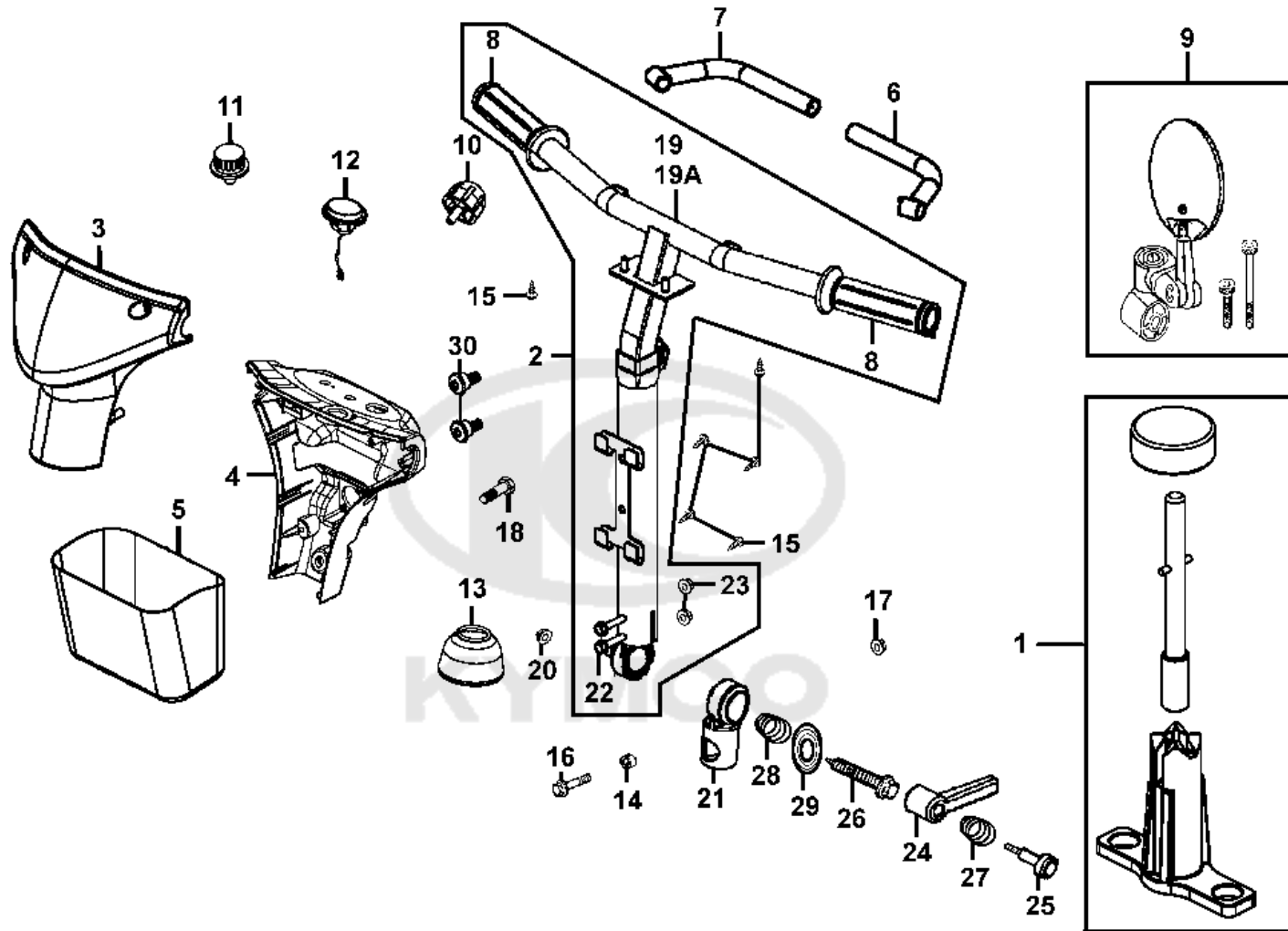
Motor



Sales mark	Ref no	Part no	Description	Reg description	Regd no	Ref Price	E01
	1	1110A-LAE9-E00	Obsolete	Obsolete	1		
	2	11302-LAC5-900	RUBBER	RUBBER	2	6.50	
	3	13331-LAC5-900	KEY 4.8*4.8*30	KEY 4.8*4.8*30	2	3.25	
	5	31300-LAE9-E00	ORDER 31300-LAE9-C00	ORDER 31300-LAE9-C00	1	150.00	
	6	31340-LAC5-900	BRUSH ASSY	BRUSH ASSY	1	7.00	
	7	31350-LAC5-900	BRAKE ASSY	BRAKE ASSY	1	52.00	
	9	50350-LDB4-900	CONNECTOR MISSION	CONNECTOR MISSION	1	5.20	
	8	93891-04012-06	SCREW WASHER 4*12	SCREW WASHER 4*12	1	0.13	
	10	94050-08080-G	NUT FLANGE 8MM (C)	NUT FLANGE 8MM (C)	4	0.49	
	4	94510-19000	CIRCLIP EX 1.9	CIRCLIP EX 1.9	4	2.12	
	11	96600-06060-07	SOCKET BOLT 6*60	SOCKET BOLT 6*60	2	3.25	

F01

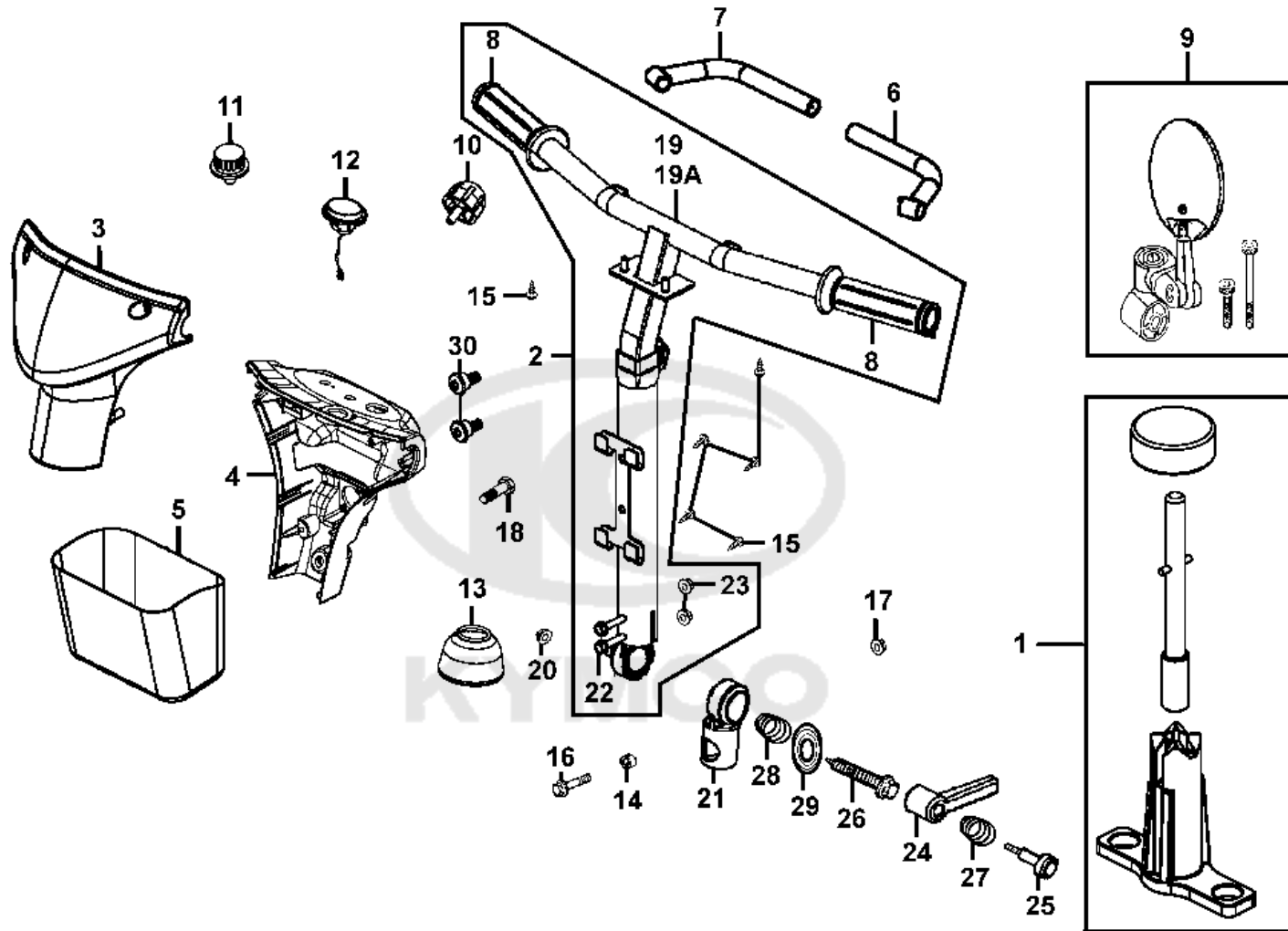
Handle Steering



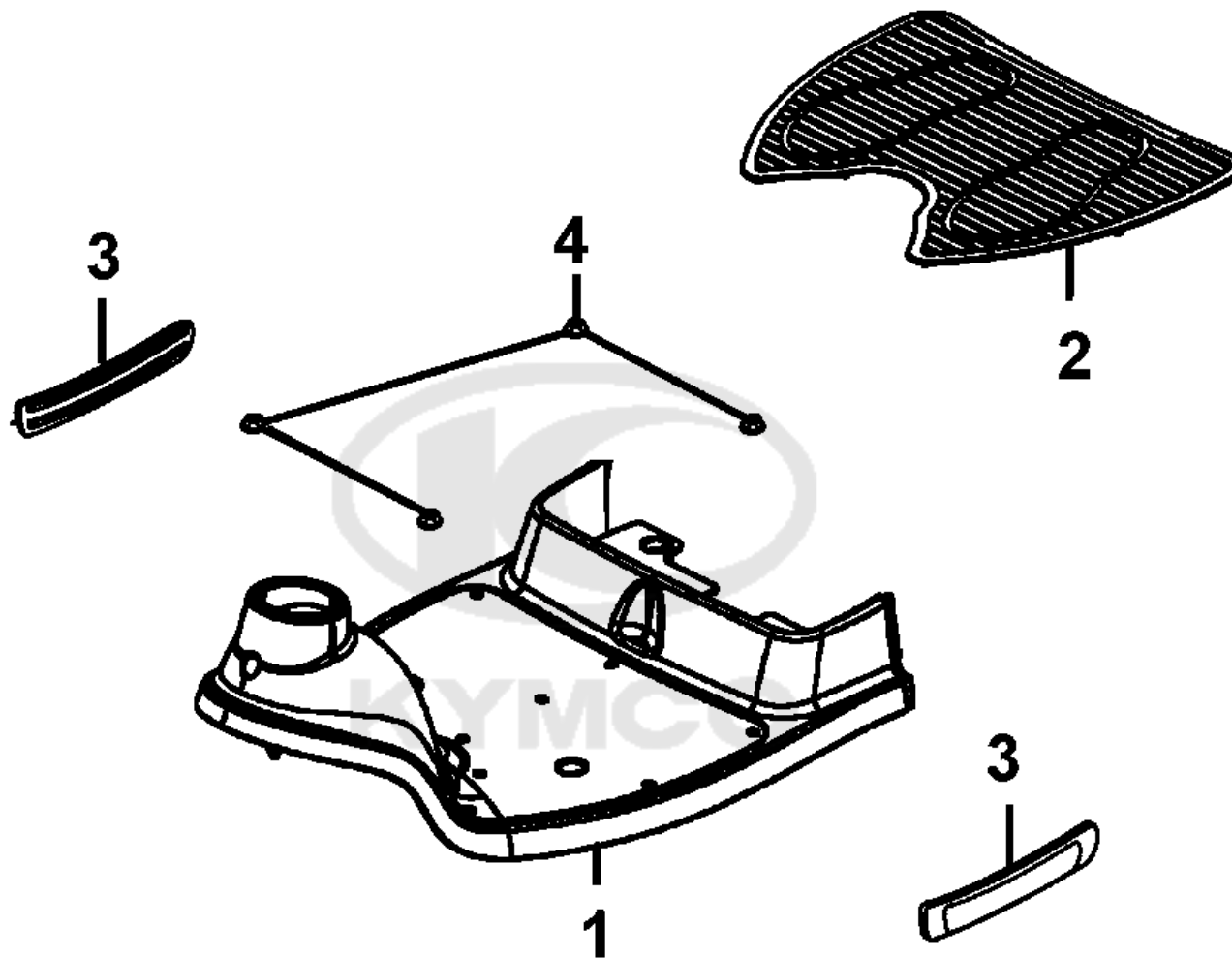
Sales mark	Ref no	Part no	Description	Reg description	Regd no	Ref Price	F01
	11	35110-LAC5-900	SPEED KNOB ALT 35110-LHD7-900	SPEED KNOB ALT 35110-LHD7-900	1	5.20	
	12	35180-LAC5-900	SW UNIT HORN **(2) C.2007.02.05	SW UNIT HORN **(2) C.2007.02.05	1	6.50	
	1	5010A-LAE9-E00	Obsolete	Obsolete	1		
	5	50150-LAE9-E00	ORDER 50150-LHD7-900	ORDER 50150-LHD7-900	1	16.25	
	19	53100-LAE9-900	Obsolete	Obsolete	1		
	19A	53100-LAE9-E00	Obsolete	Obsolete	1		
	21	53102-LCA1-E00	Obsolete	Obsolete	1		
	6	5310A-LAC5-900	DELTA HANDLE	DELTA HANDLE	1	10.08	
	7	5310B-LAC5-900	Obsolete	Obsolete	1		
	2	5310C-LAE9-E00	Obsolete	Obsolete	1		
	24	53111-LAE9-E00	Obsolete	Obsolete	1		
	25	53112-LAE9-E00	Obsolete	Obsolete	1		
	26	53113-LAE9-E00	Obsolete	Obsolete	1		
	27	53114-LAE9-E00	Obsolete	Obsolete	1		
	28	53115-LAE9-E00	SPRING B REGULATE	SPRING B REGULATE	1	3.25	
	14	53125-LAC5-900	COLLAR HANDLE SET	COLLAR HANDLE SET	1	3.25	
	8	53166-LAE9-E00	HAND GRIP	HAND GRIP	2	3.25	
**	3	53205-LAE9-E00	FRONT TILLER COVER- MINI RANGE-	FRONT TILLER COVER- MINI RANGE-	1	22.75	
**	4	53206-LAE9-E00	Obsolete ALT	Obsolete ALT	1		
	13	53209-LAE9-E00	Obsolete	Obsolete	1	6.00	

F01

Handle Steering



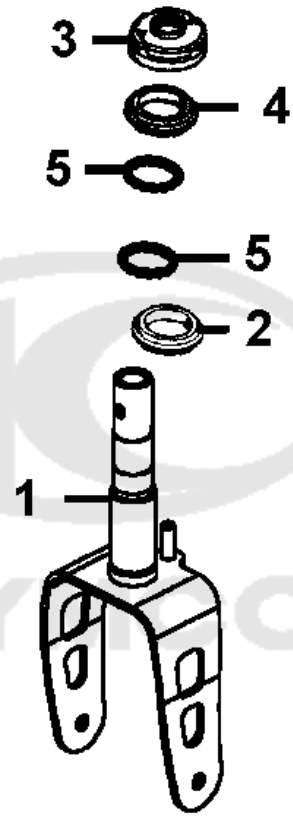
Sales mark	Ref no	Part no	Description	Reg description	Regd no	Ref Price	F01
	9	88120-LAC5-910	MIRROR ASSY BACK	MIRROR ASSY BACK	1	16.25	
	10	88130-LAC5-900	CAP HANDLE PIPE	CAP HANDLE PIPE	1	5.00	
	30	90111-1G87-001	BOLT FLANGE 6MM	BOLT FLANGE 6MM	2	0.20	
	18	90302-LLB1-E00	BOLT WASHER 5*12 **(1) C.2005.06.28	BOLT WASHER 5*12 **(1) C.2005.06.28	1	0.68	
	15	93903-34380-G	SCREW TAPPING 4x12	SCREW TAPPING 4x12	1	3.25	
	23	94021-08070-0S	NUT HEX CAP 8MM	NUT HEX CAP 8MM	2	3.25	
	20	94021-10020-0S	NUT HEX CAP 10MM	NUT HEX CAP 10MM	1	0.52	
	17	94050-08080-G	NUT FLANGE 8MM (C)	NUT FLANGE 8MM (C)	1	0.49	
	29	94101-12800	WASHER PLAIN 12MM	WASHER PLAIN 12MM	1	0.16	
	16	95701-08045-06	BOLT FLANGE 6*45	BOLT FLANGE 6*45	1	0.52	
	22	96700-LCA1-E00	SOCKET BOLT 8*30	SOCKET BOLT 8*30	2	3.25	



Sales mark	Ref no	Part no	Description	Reg description	Regd no	Ref Price	F02
------------	--------	---------	-------------	-----------------	---------	-----------	-----

**	1	64310-LAE9-E00	Obsolete	Obsolete	1		
	3	64311-LAE9-E00	Obsolete	Obsolete	2		
**	2	64320-LAE9-E00	Obsolete	Obsolete	1		
	4	90301-LAC5-671	NUT FLANGE 6MM	NUT FLANGE 6MM	6	3.25	





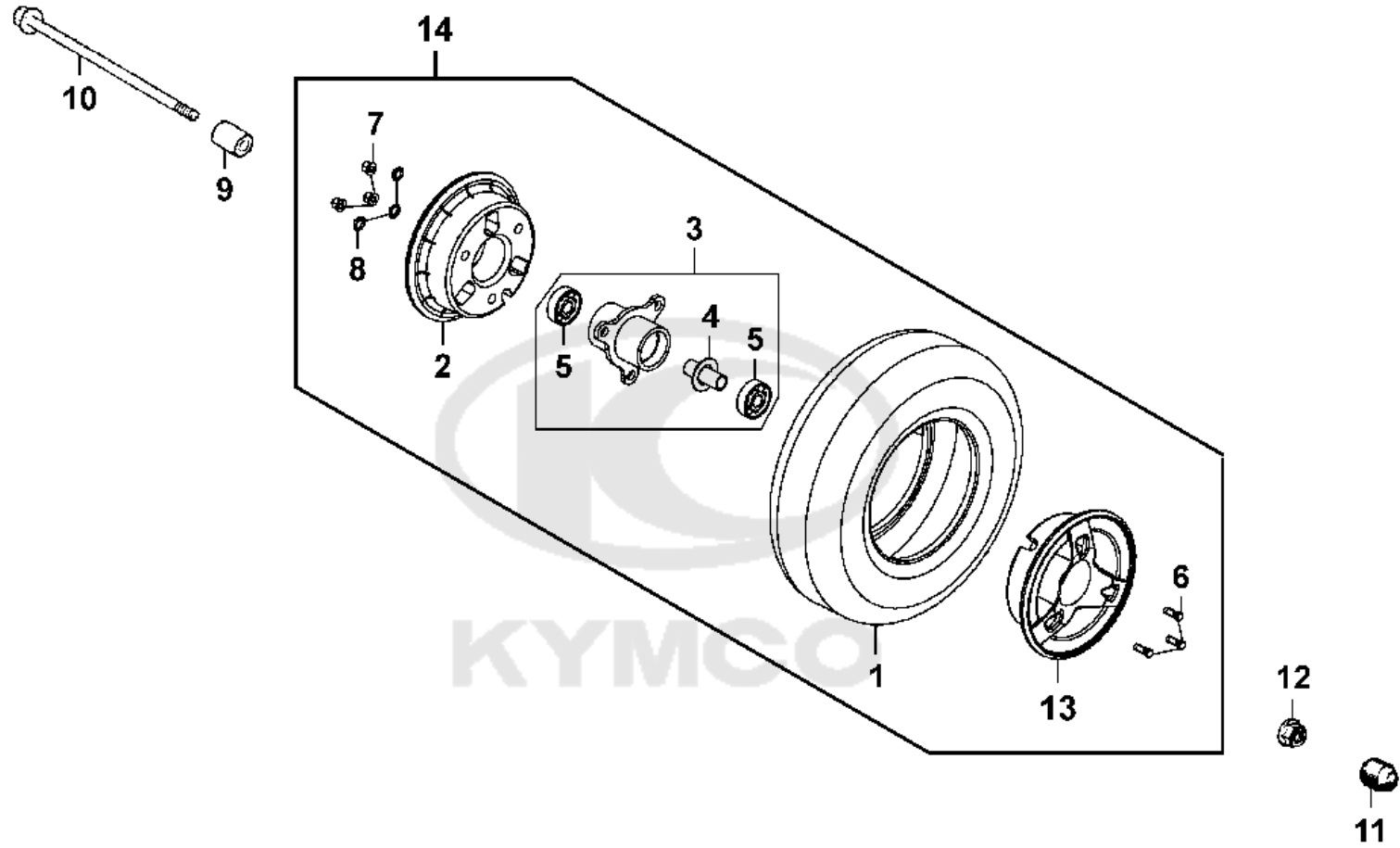
Sales mark	Ref no	Part no	Description	Reg description	Regd no	Ref Price	F03
------------	--------	---------	-------------	-----------------	---------	-----------	------------

3		50306-1F96-001	NUT STRG STEM LOCK	NUT STRG STEM LOCK	1	1.18	
1		53200-LAE9-700	Obsolete	Obsolete	1		
4		53211-GFY6-940	RACE STRG TOP CONE **GY6-9400	RACE STRG TOP CONE **GY6-9400	1	1.87	
2		53212-LDB4-004	ORDER 53212-GHC8-004	ORDER 53212-GHC8-004	1	3.25	
5		96211-05000	BALL BEARING PACK OF 100	BALL BEARING PACK OF 100	55	3.25	

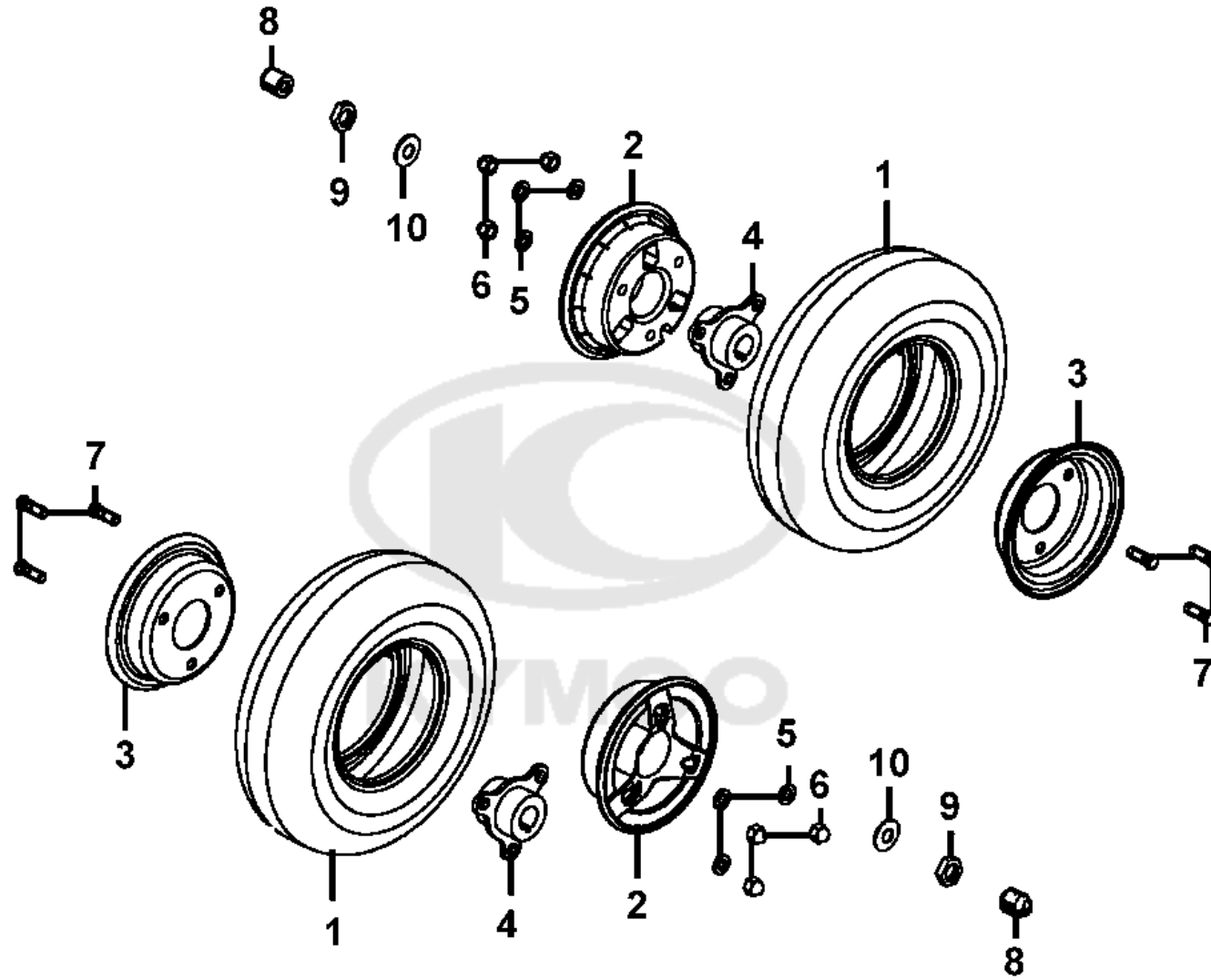


F04

Front Wheel

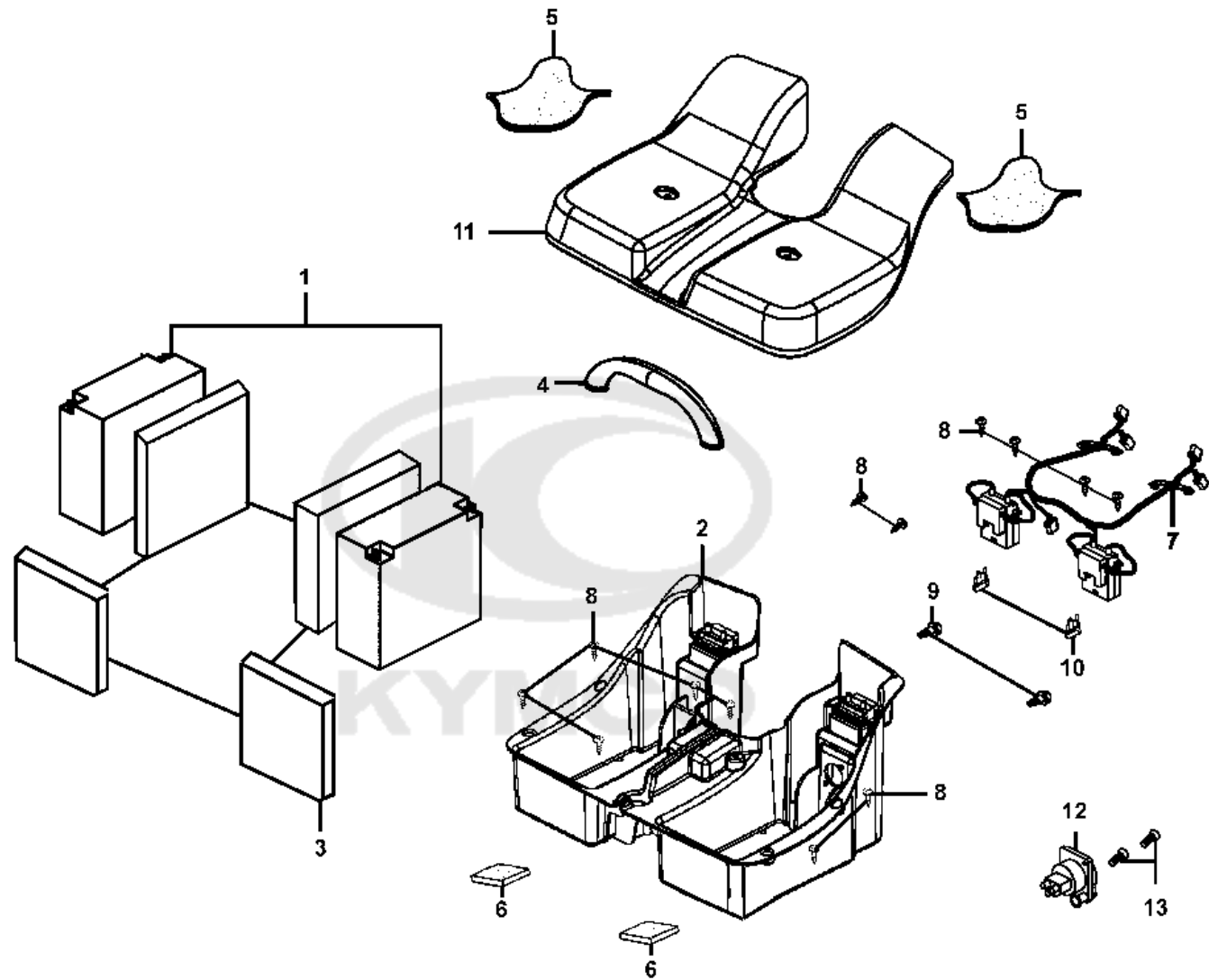


Sales mark	Ref no	Part no	Description	Reg description	Regd no	Ref Price	F04
	10	44301-LAE9-E00	BOLT FLANGE 10*125	BOLT FLANGE 10*125	1		
	9	44311-LAE9-E00	Obsolete	Obsolete	1		
	11	44315-LAC5-900	CAP FR AXLE **(0) C.2003.10.22	CAP FR AXLE **(0) C.2003.10.22	1	3.25	
	14	44600-LAE9-900	Obsolete	Obsolete	2		
	4	44620-LBB6-900	DIST COLLAR **(0) C.2005.08.02	DIST COLLAR **(0) C.2005.08.02	1		
	3	44650-LBB6-900	CONNECTOR ASSY **(0) C.2005.08.02	CONNECTOR ASSY **(0) C.2005.08.02	1		
	13	44701-LAC5-900	RIM CAST FR	RIM CAST FR	1	13.00	
	2	44701-LBB6-900	RIM COMP FR **(2) C.V.	RIM COMP FR **(2) C.V.	2	13.00	
	1	44710-LAE9-900	TIRE ASSY FR/2.80/2.50-4 /KENDA	TIRE ASSY FR/2.80/2.50-4 /KENDA	1		
	12	90304-GHE8-004	NUT U 10MM **GE8-0040 C.2005.03.01	NUT U 10MM **GE8-0040 C.2005.03.01	1	0.68	
	7	94021-08020-0S	NUT HEX CAP 8MM	NUT HEX CAP 8MM	3	3.25	
	8	94111-08800	WASHER SPRING 8MM	WASHER SPRING 8MM	3	0.33	
	6	95801-08025-08	BOLT FLANGE 8*25	BOLT FLANGE 8*25	3		
	5	96130-62000-00	BEARING 6200ZZ	BEARING 6200ZZ	2		



Sales mark	Ref no	Part no	Description	Reg description	Regd no	Ref Price	F05
	8	42315-LAC5-900	CAP RR AXLE **(0) C.2003.10.22	CAP RR AXLE **(0) C.2003.10.22	2	3.25	
	3	42702-LAE9-E00	RIM COMP RR	RIM COMP RR	2	5.53	
	10	42705-LAC5-900	WASHER 12MM RR WHEEL	WASHER 12MM RR WHEEL	2	3.25	
	4	42707-LAE9-E00	CONNECTOR RR WHEEL	CONNECTOR RR WHEEL	2	5.20	
	2	44701-LAC5-900	RIM CAST FR	RIM CAST FR	2	13.00	
	1	44710-LAE9-900	TIRE ASSY FR/2.80/2.50-4 /KENDA	TIRE ASSY FR/2.80/2.50-4 /KENDA	2		
	9	90306-GLW0-90A	NUT FLANGE 12MM **(0) C.2009.03.05	NUT FLANGE 12MM **(0) C.2009.03.05	1	0.85	
	6	94021-08020-0S	NUT HEX CAP 8MM	NUT HEX CAP 8MM	6	3.25	
	5	94111-08800	WASHER SPRING 8MM	WASHER SPRING 8MM	6	0.33	
	7	95701-08022-00	BOLT FLANGE 8X22	BOLT FLANGE 8X22	6		

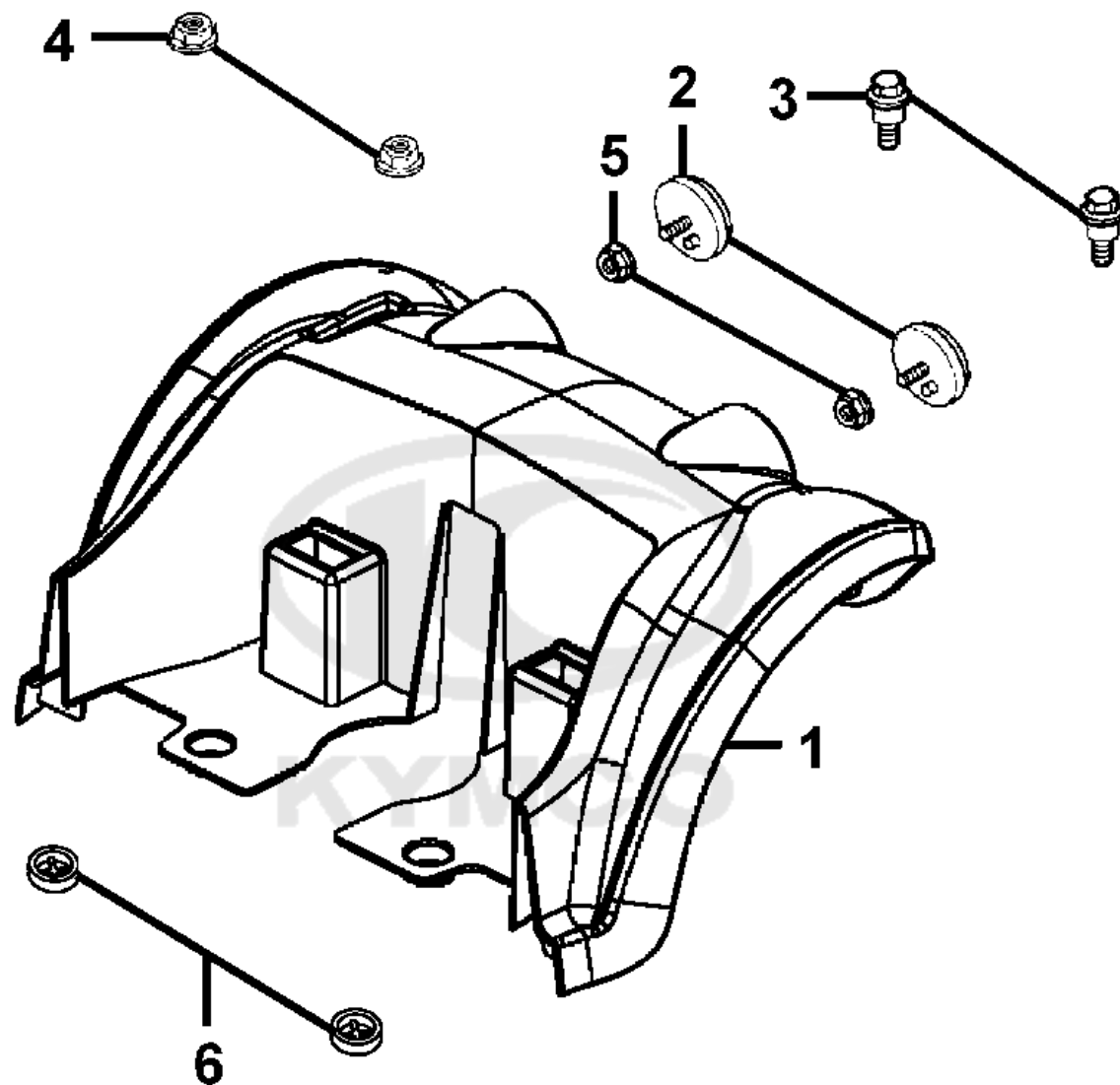




Sales mark	Ref no	Part no	Description	Reg description	Regd no	Ref Price	F06
	1	31500-LAE9-E0A	BATTERY 12V 12AH/YUASA **(0)	BATTERY 12V 12AH/YUASA **(0)	2		
	7	32201-LAE9-E00	Obsolete	Obsolete	2		
	12	32620-LAE9-E00	SOCKET CHARGER	SOCKET CHARGER	1	8.45	
	2	50325-LAE9-E00	Obsolete	Obsolete	1		
**	11	50326-LAE9-E00	Obsolete	Obsolete	1		
	4	50329-LAE9-E00	GRIP ALT 50329-LAE9-E01	GRIP ALT 50329-LAE9-E01	2		
	3	50330-LBA2-E00	SPONGE BATTERY	SPONGE BATTERY	4	4.58	
	5	50331-LAE9-E00	DUAL LOCK M	DUAL LOCK M	2	3.25	
	6	50332-LAE9-E00	DUAL LOCK F **(0) C.2005.03.01	DUAL LOCK F **(0) C.2005.03.01	2		
	9	90302-GFY6-911	BOLT-WASH 5*12	BOLT-WASH 5*12	2	3.25	
	13	93600-02008-0A	SCREW FLAT 2.5*8	SCREW FLAT 2.5*8	2	3.25	
	8	93903-GFY6-910	BOLT-WASH 5*12	BOLT-WASH 5*12	2	3.25	
	10	98200-34000	BLADE FUSE 40A	BLADE FUSE 40A	2	1.27	

F07

Body Cover

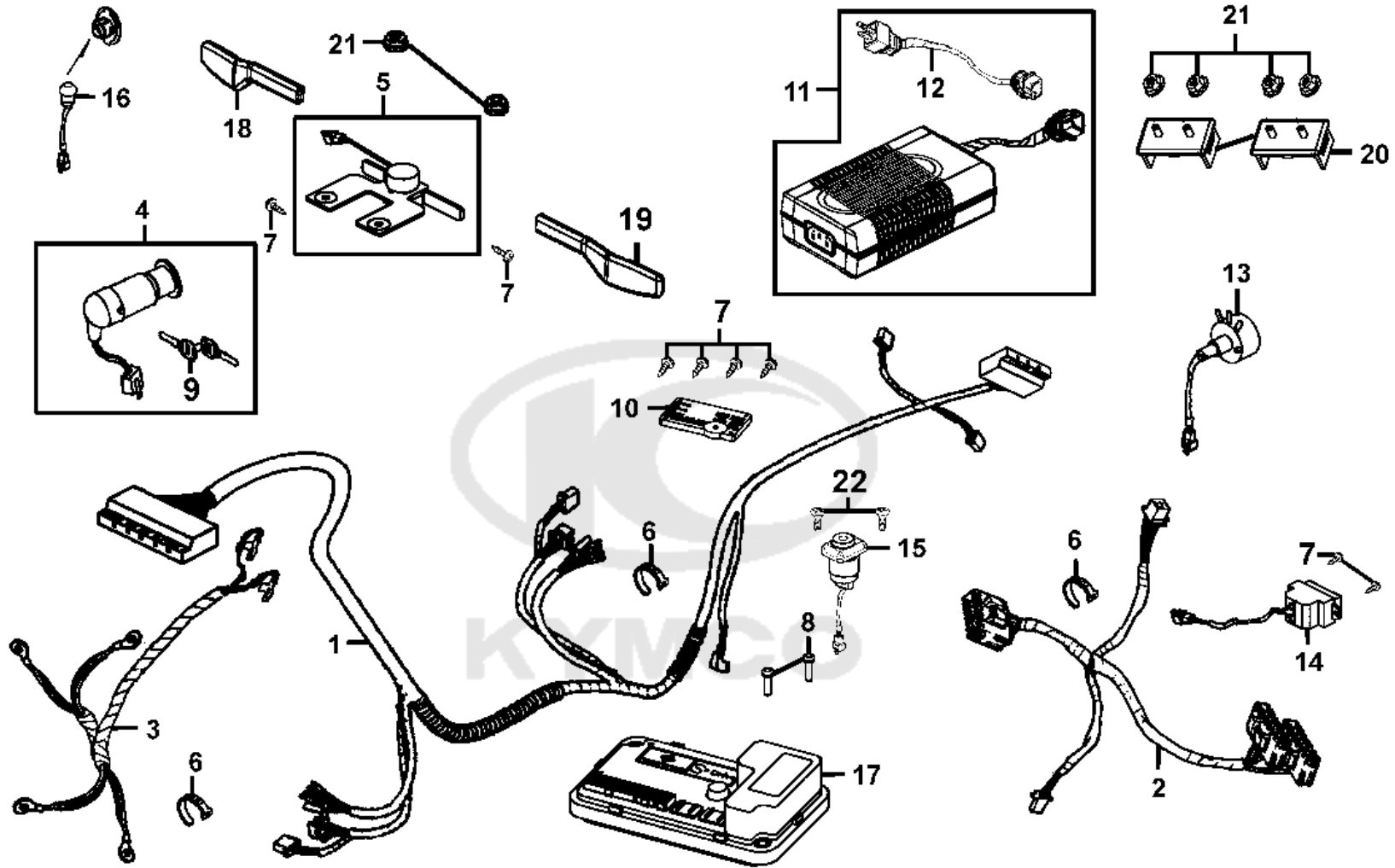


Sales mark	Ref no	Part no	Description	Reg description	Regd no	Ref Price	F07
2		33731-KFA6-M00	USE 33731-KFA6-C00	USE 33731-KFA6-C00	2	3.25	
6		64316-LAE9-E00	ORDER 64316-LAE9-C00	ORDER 64316-LAE9-C00	2	3.25	
**	1	83600-LAE9-E00	Obsolete	Obsolete	1		
4		90301-LAC5-671	NUT FLANGE 6MM	NUT FLANGE 6MM	6	3.25	
3		90302-LLB1-E00	BOLT WASHER 5*12 **(1) C.2005.06.28	BOLT WASHER 5*12 **(1) C.2005.06.28	2	0.68	
5		94050-06080-G	NUT FLANGE 6MM	NUT FLANGE 6MM	2	0.49	



F08

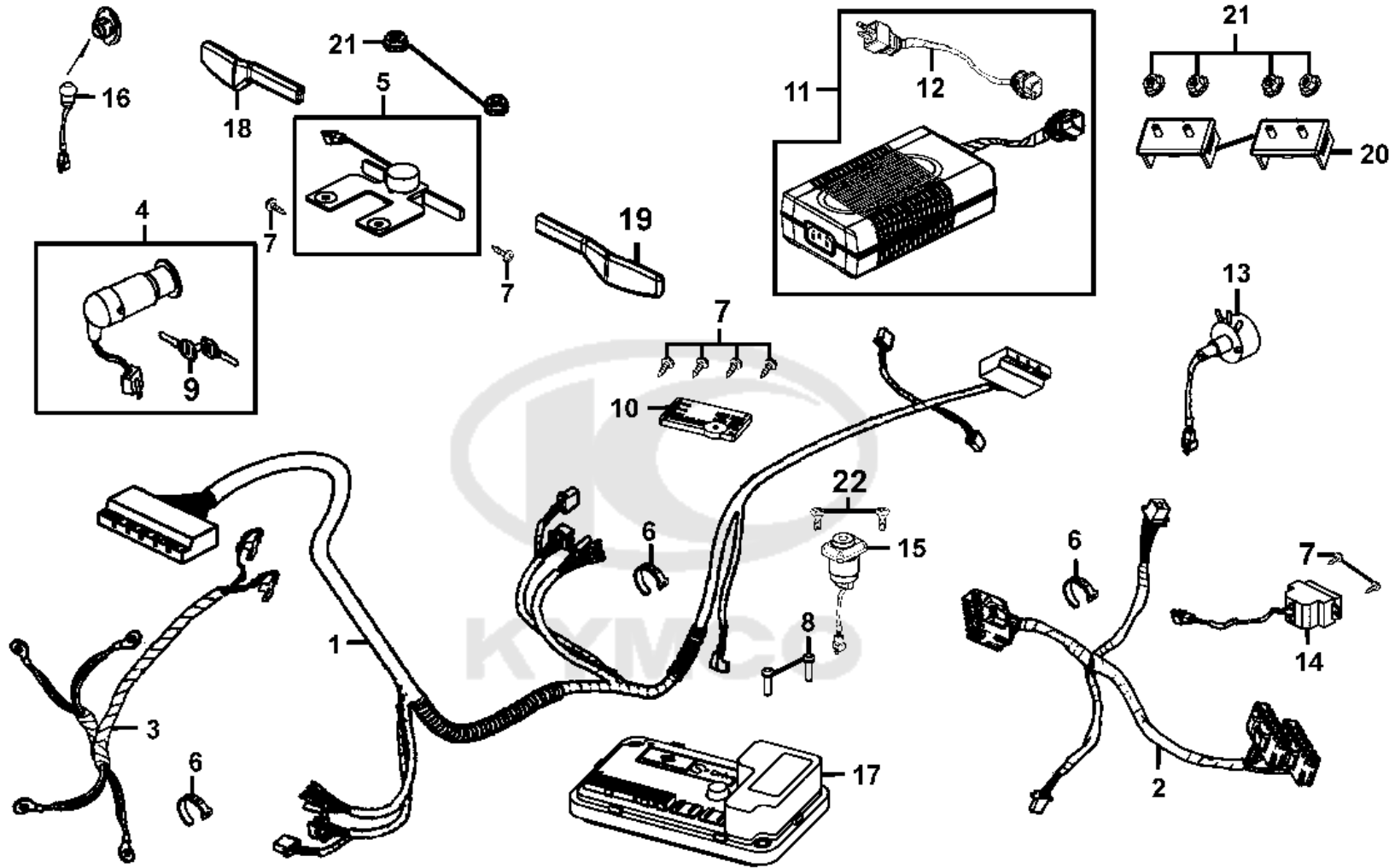
Harness Wire



Sales mark	Ref no	Part no	Description	Reg description	Regd no	Ref Price	F08
	12	31280-LAC5-E20	CORD AC POWER	CORD AC POWER	1	6.50	
	11	31800-LAE9-E20	BATTERY CHARGER ASSY	BATTERY CHARGER ASSY	1	70.00	
	1	32100-LAE9-E00	Obsolete	Obsolete	1	19.50	
	2	32101-LAE9-E00	SUB HARNESS A	SUB HARNESS A	1	9.75	
	3	32404-LAE9-E00	POWER CORD	POWER CORD	1	11.70	
	20	32610-LAE9-E00	COUPLER M BATTERY	COUPLER M BATTERY	2	13.00	
	15	32620-LAE9-E01	SOCKET CHARGER	SOCKET CHARGER	1	8.45	
	5	34010-LAC5-900	THROTTLE	THROTTLE	1	39.00	
	4	35101-LAE9-E00	AIT 35101-LAE9-E01	AIT 35101-LAE9-E01	1	16.25	
	9	35111-LAE9-900	ALT 35111-LAE9-E01	ALT 35111-LAE9-E01	2	5.85	
	13	35115-LAE9-E00	VARIABLE RESISTER 25K OHM	VARIABLE RESISTER 25K OHM	1	13.00	
	17	36000-LAE9-E00	Obsolete	Obsolete	1		
	10	36100-LAE9-E00	CONTROL METER	CONTROL METER	1		
	18	36108-LAE9-E01	LEVER RH THROTTLE **(0)	LEVER RH THROTTLE **(0) C.2005.03.01	1		
	19	36109-LAE9-E01	LEVER LH THROTTLE **(0)	LEVER LH THROTTLE **(0) C.2005.03.01	1		
	16	36110-LAE9-E00	LED	LED	1	3.25	
	14	37806-LAE9-E00	VU METER	VU METER	1	16.25	
	6	90656-KCBC-900	BAND OIL HANDLE **9000 C.2005.03.01	BAND OIL HANDLE **9000 C.2005.03.01	3	0.50	
	8	93500-04025-0F	SCREW PAN 4*25 (G)	SCREW PAN 4*25 (G)	1	0.25	
	22	93600-02008-0A	SCREW FLAT 2.5*8	SCREW FLAT 2.5*8	2	3.25	

F08

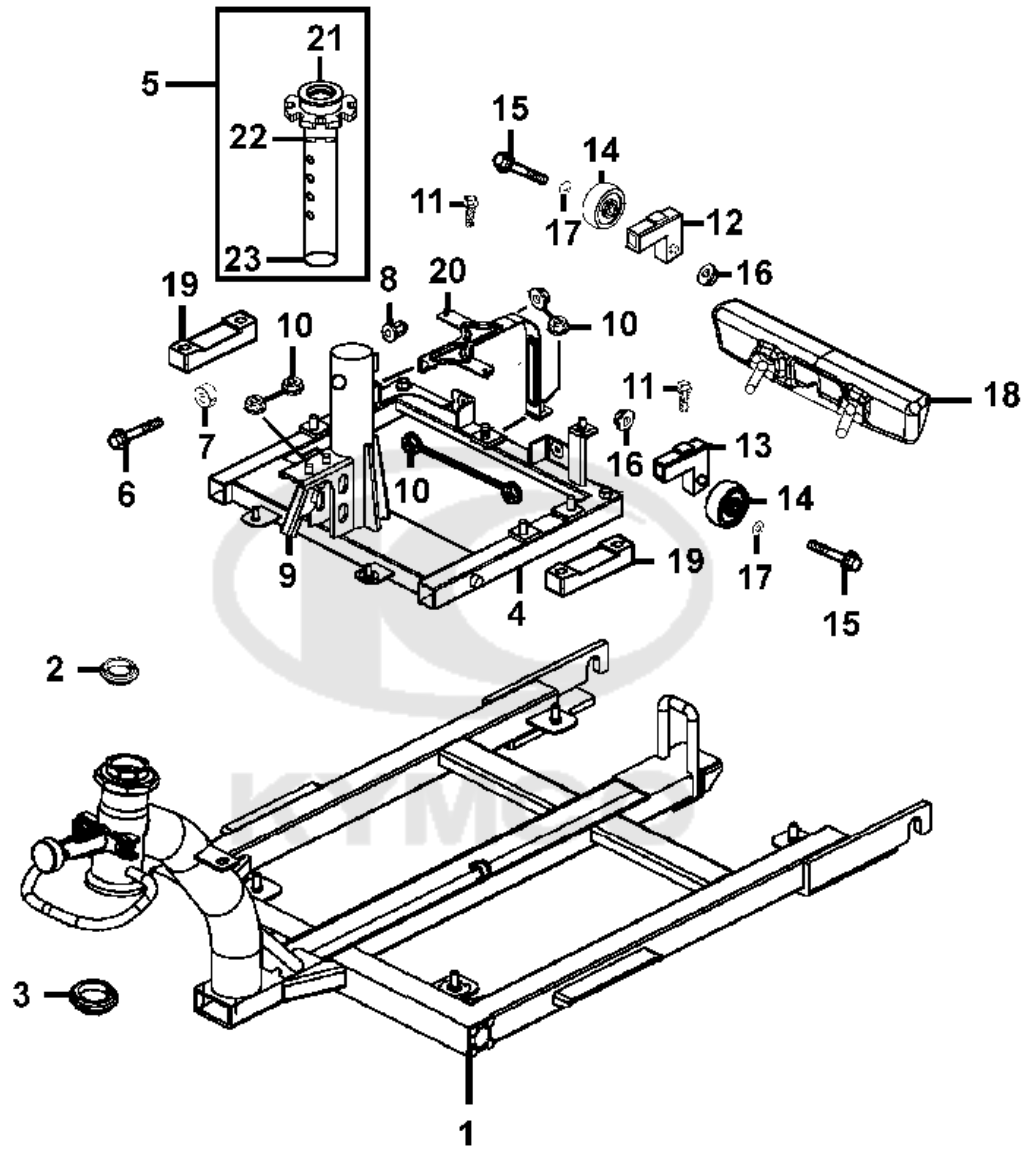
Harness Wire



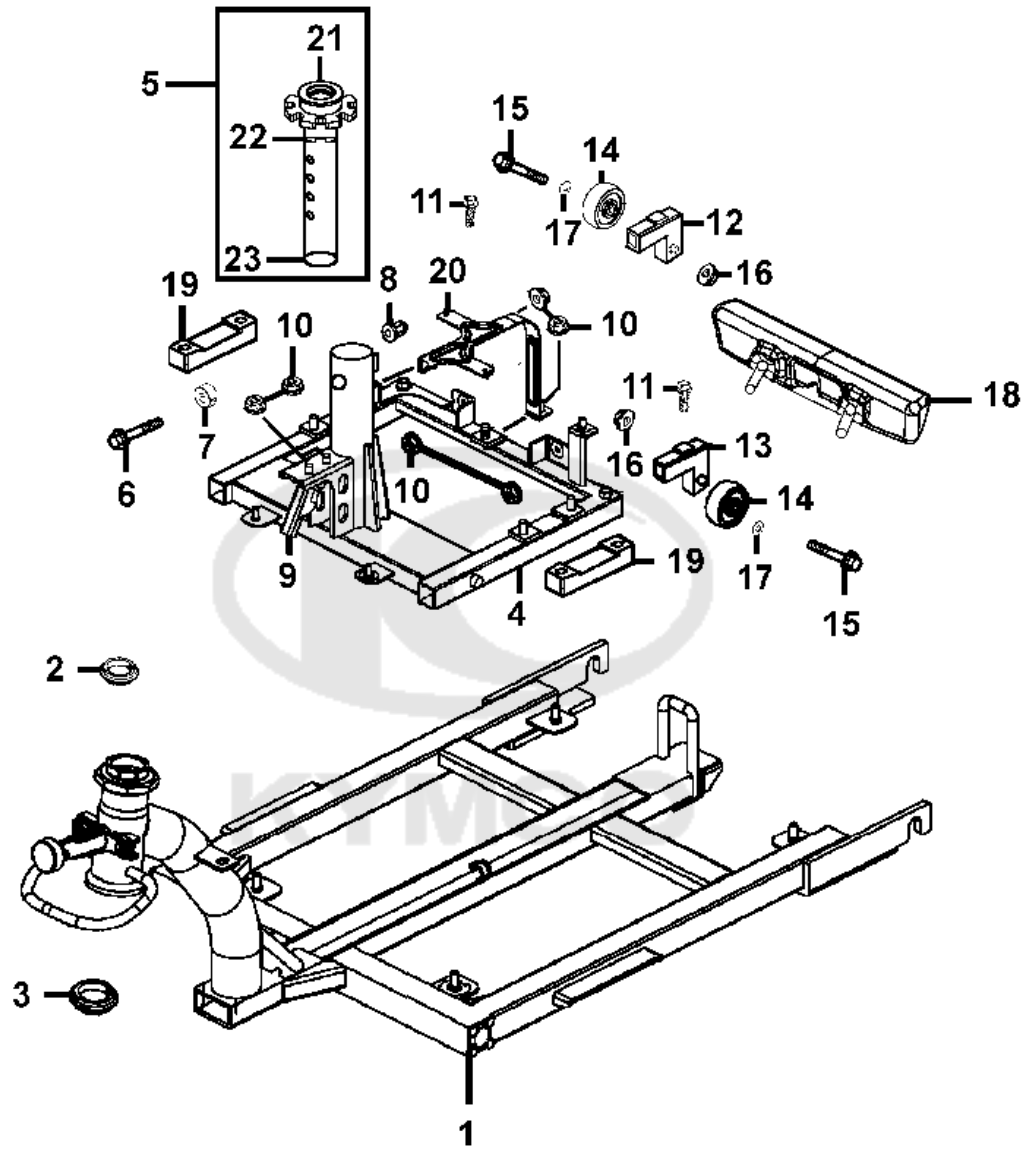
Sales mark	Ref no	Part no	Description	Reg description	Regd no	Ref Price	F08
------------	--------	---------	-------------	-----------------	---------	-----------	-----

7		93903-25460	SCREW TAPPING 5*20 **93903-25480	SCREW TAPPING 5*20 **93903-25480	8	0.25	
21		94050-06080-G	NUT FLANGE 6MM	NUT FLANGE 6MM	6	0.49	



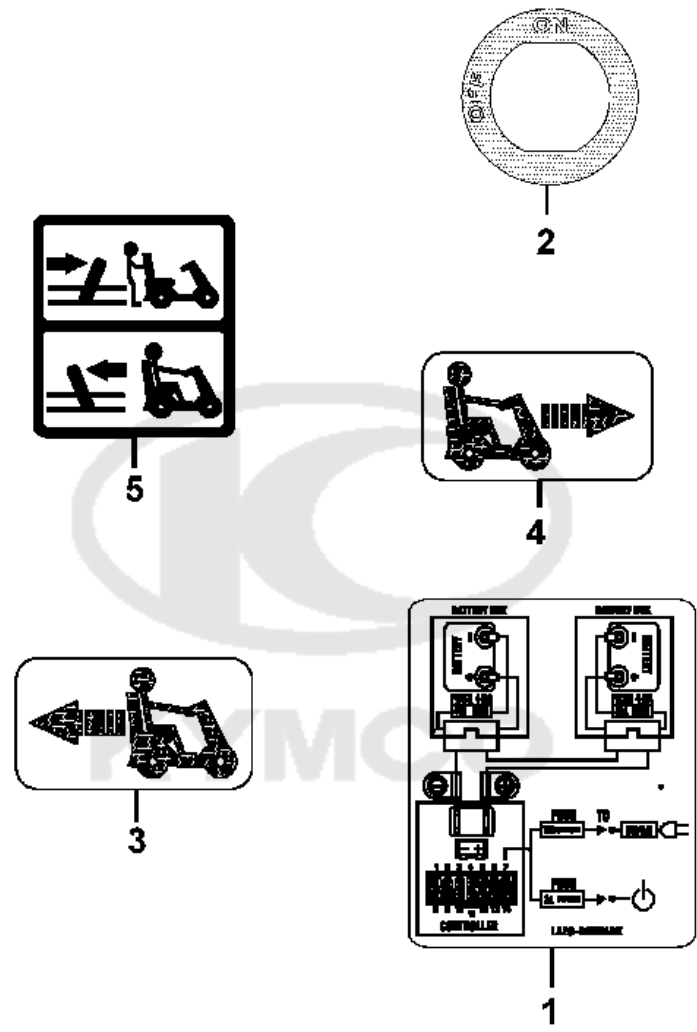


Sales mark	Ref no	Part no	Description	Reg description	Regd no	Ref Price	F09
	14	42800-LAC5-900	ANTI-TIP WHEEL	ANTI-TIP WHEEL	2	3.25	
	1	50110-LAE9-E00	BODY COMP FRONT FRAME **(0)	BODY COMP FRONT FRAME **(0)	1		
	4	50120-LAE9-700	Obsolete	Obsolete	1		
	5	50135-LAC5-900	PIPE B SEAT SET **(8) C.2005.09.08	PIPE B SEAT SET **(8) C.2005.09.08	1	18.20	
	21	50136-LAC5-900	RUBBER SEAT SET	RUBBER SEAT SET	1		
	22	50137-LAC5-900	RUBBER A SEAT PIPE	RUBBER A SEAT PIPE	1		
	23	50138-LAC5-900	RUBBER B SEAT PIPE	RUBBER B SEAT PIPE	1		
	20	50225-LAE9-700	STAY ECU	STAY ECU	1	18.64	
	12	50231-LAE9-700	PIPE R AUX WHEEL	PIPE R AUX WHEEL	1		
	13	50232-LAE9-700	Obsolete	Obsolete	1		
	9	5023A-LAE9-E00	Obsolete	Obsolete	1		
	2	50301-LDB4-001	RACE UP STRG BALL	RACE UP STRG BALL	1	3.25	
	7	50303-LAC5-900	COLLAR SEAT SET PIPE	COLLAR SEAT SET PIPE	1	3.25	
	19	50305-LAC5-900	RUBBER MOTOR	RUBBER MOTOR	2	4.55	
	3	50305-LDB4-004	RACE UNDER STRG BALL	RACE UNDER STRG BALL	1	3.25	
	18	83751-LAE9-E00	BUMPER RR	BUMPER RR	1	19.50	
	10	94050-06060	NUT FLANGE 6MM	NUT FLANGE 6MM	6	0.49	
	16	94050-06080-G	NUT FLANGE 6MM	NUT FLANGE 6MM	2	0.49	
	8	94050-08060	NUT FLANGE 8MM	NUT FLANGE 8MM	1	0.49	
	17	94101-06800-G	WASHER PLAN 6MM	WASHER PLAN 6MM	2	0.12	



Sales mark	Ref no	Part no	Description	Reg description	Regd no	Ref Price	F09
15		95701-06055-06	BOLT FLANGE 6*55	BOLT FLANGE 6*55	1	0.49	
6		95701-08070-07	BOLT FLANGE 8*70	BOLT FLANGE 8*70	1	3.25	
11		96700-LCA1-E00	SOCKET BOLT 8*30	SOCKET BOLT 8*30	2	3.25	

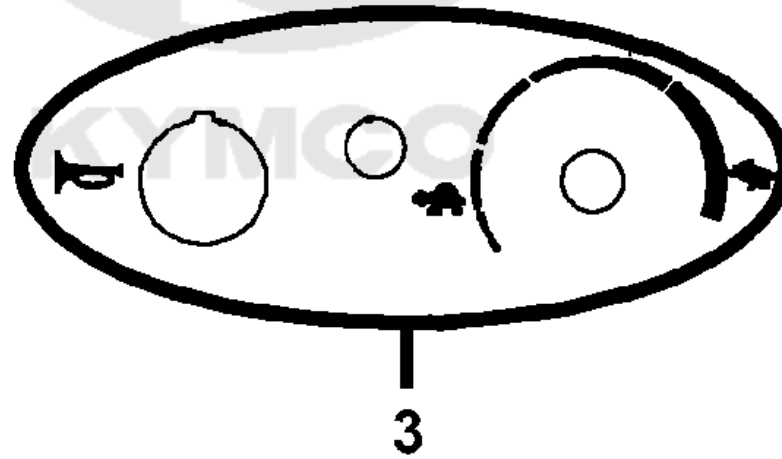
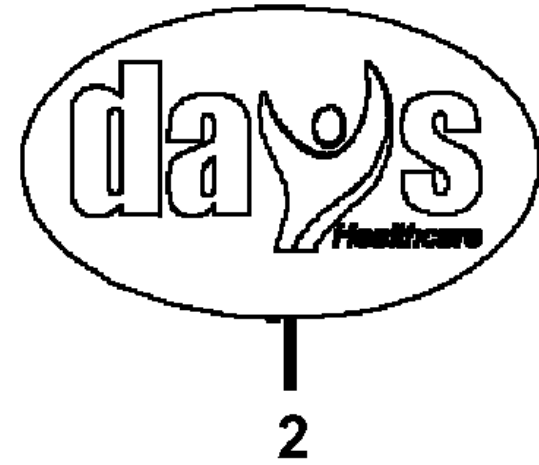
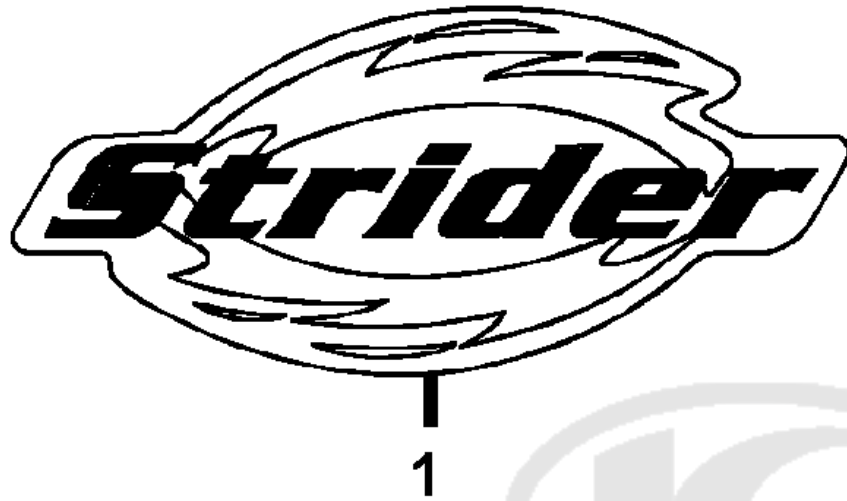




Sales mark	Ref no	Part no	Description	Reg description	Regd no	Ref Price	F10
------------	--------	---------	-------------	-----------------	---------	-----------	------------

**	5	87501-LAE9-E00	USE CAUTION SILVER	USE CAUTION SILVER	1	3.25	
	1	87508-LAE9-E00	LABEL BATTERY	LABEL BATTERY	1	3.25	
**	4	87560-LAE9-E00	MARK R DRIVE CAUTION	MARK R DRIVE CAUTION	1	3.25	
**	2	87564-LAE9-E00	Obsolete	Obsolete	1		
**	3	87660-LAE9-E00	MARK L DRIVE CAUTION	MARK L DRIVE CAUTION	1	3.25	

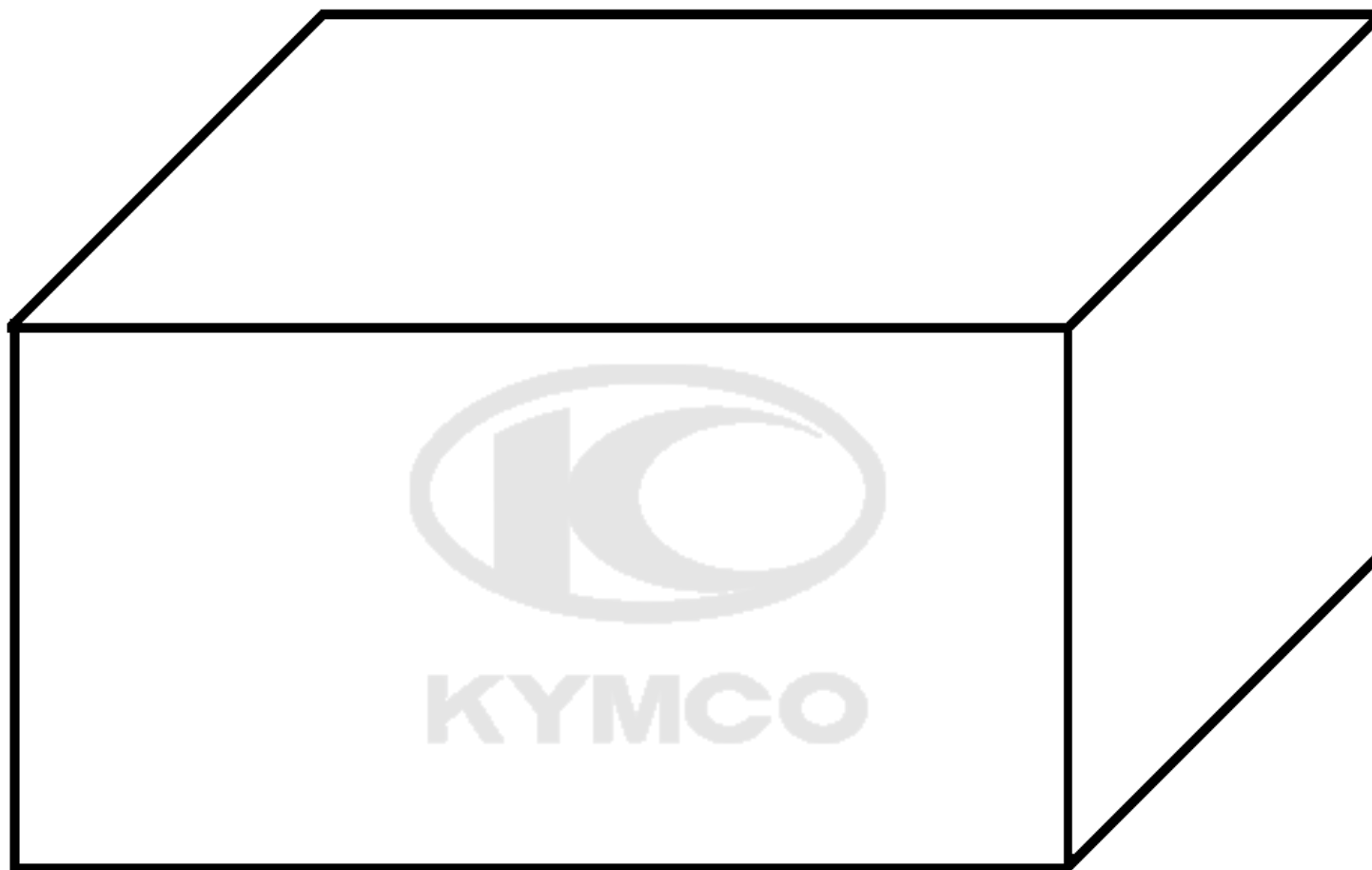




Sales mark	Ref no	Part no	Description	Reg description	Regd no	Ref Price	F11
------------	--------	---------	-------------	-----------------	---------	-----------	-----

**	1	86020-LAC5-E20	EMB DMA STRIDER	EMB DMA STRIDER	1		
**	3	86407-LAE9-E00	STRIPE METER	STRIPE METER	1	3.25	





1

Sales mark	Ref no	Part no	Description	Reg description	Regd no	Ref Price	F12
------------	--------	---------	-------------	-----------------	---------	-----------	------------

1		LAE9-1-EV10EB-UK	CARDBOARD BOXES 1180*550*640	CARDBOARD BOXES 1180*550*640	1		
---	--	------------------	------------------------------	------------------------------	---	--	--



PART NO. INDEX

PART NO.	VERSION	PAGE	PART NO.	VERSION	PAGE	PART NO.	VERSION	PAGE
11000			32620-LAE9-E00	1	F06	37000		
			32620-LAE9-E01	1	F08			
1110A-LAE9-E00	6	E01	33000			37806-LAE9-E00	3	F08
11302-LAC5-900	0	E01						
13000			33731-KFA6-M00	1	F07	42000		
			34000			42315-LAC5-900	3	F05
13331-LAC5-900	0	E01				42702-LAE9-E00	1	F05
			34010-LAC5-900	7	F08	42705-LAC5-900	5	F05
31000			35000			42707-LAE9-E00	5	F05
31280-LAC5-E20	2	F08				42800-LAC5-900	6	F09
31300-LAE9-E00	4	E01	35101-LAE9-E00	3	F08	44000		
31340-LAC5-900	0	E01	35110-LAC5-900	5	F01			
31350-LAC5-900	0	E01	35111-LAE9-900	0	F08	44301-LAE9-E00	3	F04
31500-LAE9-E0A	1	F06	35115-LAE9-E00	1	F08	44311-LAE9-E00	1	F04
31800-LAE9-E20	1	F08	35180-LAC5-900	4	F01	44315-LAC5-900	3	F04
			36000			44600-LAE9-900	2	F04
32000						44620-LBB6-900	3	F04
32100-LAE9-E00	3	F08	36000-LAE9-E00	2	F08	44650-LBB6-900	3	F04
32101-LAE9-E00	4	F08	36100-LAE9-E00	1	F08	44701-LAC5-900	5	F04
32201-LAE9-E00	4	F06	36108-LAE9-E01	1	F08	44701-LAC5-900	5	F05
32404-LAE9-E00	1	F08	36109-LAE9-E01	1	F08	44701-LBB6-900	2	F04
32610-LAE9-E00	2	F08	36110-LAE9-E00	3	F08	44710-LAE9-900	1	F04
						44710-LAE9-900	1	F05

PART NO. INDEX

PART NO.	VERSION	PAGE	PART NO.	VERSION	PAGE	PART NO.	VERSION	PAGE
50000			50350-LDB4-900	2	E01	64000		
5010A-LAE9-E00	2	F01	53000			64310-LAE9-E00	2	F02
50110-LAE9-E00	4	F09	53100-LAE9-900	4	F01	64311-LAE9-E00	2	F02
50120-LAE9-700	4	F09	53100-LAE9-E00	4	F01	64316-LAE9-E00	2	F07
50135-LAC5-900	9	F09	53102-LCA1-E00	3	F01	64320-LAE9-E00	2	F02
50136-LAC5-900	4	F09	5310A-LAC5-900	3	F01	83000		
50137-LAC5-900	1	F09	5310B-LAC5-900	1	F01	83600-LAE9-E00	3	F07
50138-LAC5-900	0	F09	5310C-LAE9-E00	7	F01	83751-LAE9-E00	2	F09
50150-LAE9-E00	1	F01	53111-LAE9-E00	2	F01	86000		
50225-LAE9-700	1	F09	53112-LAE9-E00	2	F01	86020-LAC5-E20	1	F11
50231-LAE9-700	4	F09	53113-LAE9-E00	5	F01	86102-LAC5-E21	1	F11
50232-LAE9-700	4	F09	53114-LAE9-E00	1	F01	86407-LAE9-E00	2	F11
5023A-LAE9-E00	6	F09	53115-LAE9-E00	3	F01	87000		
50301-LDB4-001	1	F09	53125-LAC5-900	6	F01	87501-LAE9-E00	3	F10
50303-LAC5-900	4	F09	53166-LAE9-E00	3	F01	87508-LAE9-E00	1	F10
50305-LAC5-900	2	F09	53200-LAE9-700	3	F03	87560-LAE9-E00	3	F10
50305-LDB4-004	1	F09	53205-LAE9-E00	0	F01	87564-LAE9-E00	4	F10
50306-1F96-001	0	F03	53206-LAE9-E00	9	F01	87660-LAE9-E00	3	F10
50325-LAE9-E00	2	F06	53209-LAE9-E00	3	F01			
50326-LAE9-E00	2	F06	53211-GFY6-940	1	F03			
50329-LAE9-E00	2	F06	53212-LDB4-004	1	F03			
50330-LBA2-E00	1	F06						
50331-LAE9-E00	1	F06						
50332-LAE9-E00	1	F06						

PART NO. INDEX

PART NO.	VERSION	PAGE	PART NO.	VERSION	PAGE	PART NO.	VERSION	PAGE
88000			93903-GFY6-910	1	F06	95701-08070-07	0	F09
			94000			95801-08025-08	0	F04
88120-LAC5-910	4	F01				96000		
88130-LAC5-900	2	F01	94021-08020-0S	0	F04			
			94021-08020-0S	0	F05	96130-62000-00	0	F04
90000			94021-08070-0S	0	F01	96211-05000	26	F03
			94021-10020-0S	0	F01	96600-06060-07	1	E01
90111-1G87-001	1	F01	94050-06060	1	F09	96700-LCA1-E00	2	F01
90301-LAC5-671	1	F02	94050-06080-G	1	F07	96700-LCA1-E00	2	F09
90301-LAC5-671	1	F07	94050-06080-G	1	F08			
90302-GFY6-911	1	F06	94050-06080-G	1	F09	98000		
90302-LLB1-E00	2	F01	94050-08060	0	F09			
90302-LLB1-E00	2	F07	94050-08080-G	1	E01	98200-34000	0	F06
90304-GHE8-004	0	F04	94050-08080-G	1	F01			
90306-GLW0-90A	1	F05	94101-06800-G	1	F09	L		
90656-KCBC-900	0	F08	94101-12800	0	F01			
			94111-08800	0	F04	LAE9-1-EV10EB-UK	0	F12
93000			94111-08800	0	F05			
			94510-19000	0	E01			
93500-04025-0F	0	F08						
93600-02008-0A	0	F06	95000					
93600-02008-0A	0	F08						
93891-04012-06	0	E01	95701-06055-06	0	F09			
93903-25460	0	F08	95701-08022-00	0	F05			
93903-34380-G	0	F01	95701-08045-06	1	F01			