

PARTS CATALOGUE



MOBILITY SCOOTER

EV10FA(UK)

Maxi 4



Release Date : 2013/11/19
Print Date : 2019/11/04

ABOUT THIS PARTS LIST

- This parts list is compiled all service parts for model EV10FA(UK).
- Any difference between color chart and motorcycle will be revised according to motorcycle.
- The Mark:
 1. Marking "***" must add color code in the end before ordering parts.
 2. Marking "#" are parts with modification, Please find the details from e-Parts system.
- When modification or additions to this parts list are made a revised edition at an appropriate time.



CONTENTS

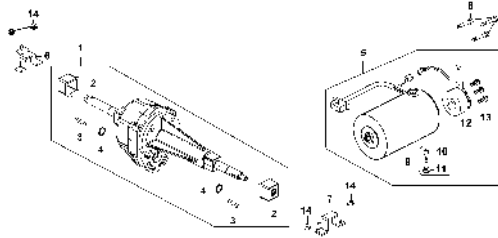
● ABOUT THIS PARTS LIST	1
● COLOR CHART OF EV10FA(UK)	3
● CONTENTS-ENGINE GROUP	5
● CONTENTS-FRAME GROUP	6
● ENGINE PARTS LIST	8
● FRAME PARTS LIST	10
● PART NO. INDEX	46

NO	MODEL			COLOR CHART OF EV10FA(UK)						
	PHOTO NO			NO. 1	NO. 2	NO. 3	NO. 4			
	BASIC COLOR			Black Blue	Red Crystal	Bright Silver	Burgundy			
	CODE			Black Blue	Red Crystal	Bright Silver	Burgundy			
	PARTS NAME	PARTS NO.	VERSION	PB184PA	RR163MA	NH045MA	RR132MA			
1	GRIP L HANDLE	53166-LAC5-911	1	N1R						
2	BUMPER FR	64302-LBE1-900	1							
3	MAT FLOOR	64320-LBE1-900	1							
4	COVER FLOOR	64330-LBE1-900	1							
5	COVER HANDLE FR	53205-LAC5-900	5	BJP	E6P	N8P	R7P			
6	COVER HANDLE RR	53206-LBE1-900	1							
7	METER COVER	53207-LAC5-900	8							
8	FLOOR PANEL	64310-LBE1-900	5							
9	BODY COVER LOW	83600-LBE1-900	1	N8P						
10	COVER BODY UP/Silver	83500-LBE1-900	2							
11	SEAT ASSY	77200-LAC5-700	8	T01						
12	EMB DMA STRIDER	86020-LAC5-E20	1							
13	EMB DAYS LOGO 35MM	86102-LAC5-E21	1							
14	EMB METER	86444-LAC5-900	9							
15	USE CAUTION	87501-LAC5-900	7							
16	LABEL BATTERY	87508-LBE1-E00	3							
17	MAR DRIVE CAUTION	87560-LAC5-900	4					T01	T02	T01
18	LABLE SPEED SW	87562-LBE1-E00	3							
DATE OF STARTING-SALES				2004-03-16	2004-03-16	2010-02-05	2004-03-16			
DATE OF END-SALES						2010-02-05	2010-02-05			

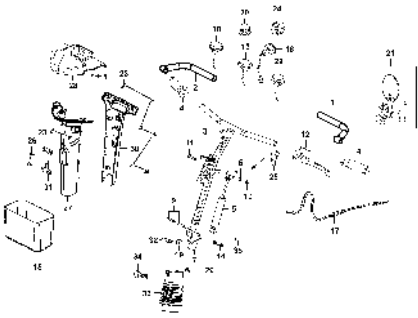
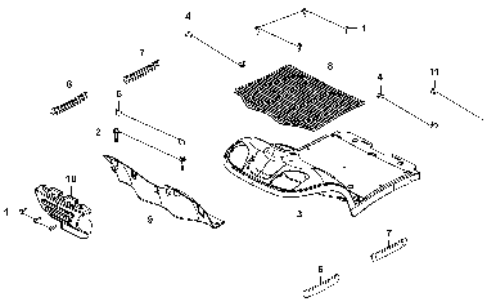
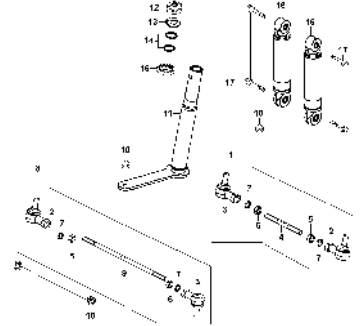
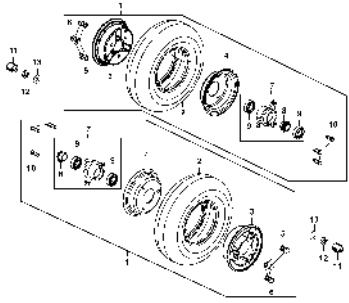
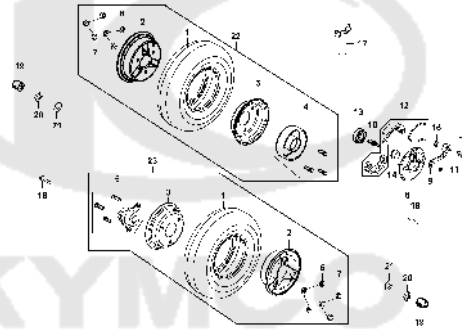
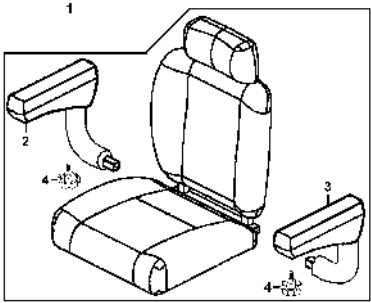
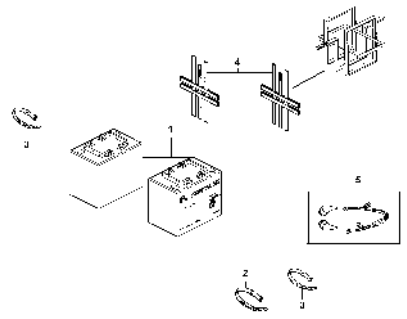
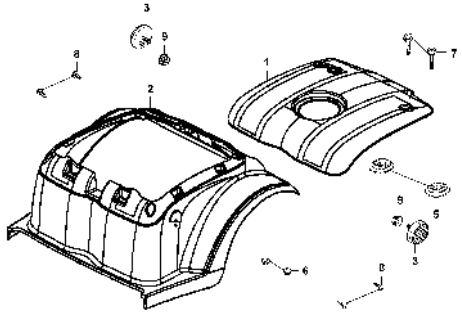
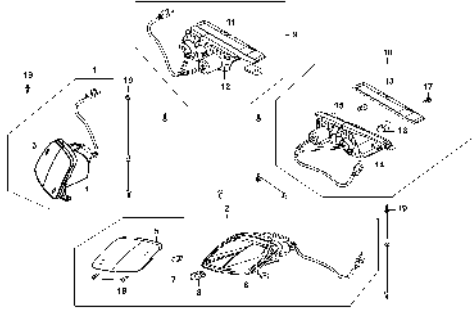
NO	MODEL			COLOR CHART OF EV10FA(UK)			
	PHOTO NO			NO. 5			
	BASIC COLOR			Dark Red			
	CODE			Dark Red			
	PARTS NAME	PARTS NO.	VERSION	RR132MA			
1	GRIP L HANDLE	53166-LAC5-911	1	N1R			
2	BUMPER FR	64302-LBE1-900	1				
3	MAT FLOOR	64320-LBE1-900	1				
4	COVER FLOOR	64330-LBE1-900	1				
5	COVER HANDLE FR	53205-LAC5-900	5	R7P			
6	COVER HANDLE RR	53206-LBE1-900	1				
7	METER COVER	53207-LAC5-900	8				
8	FLOOR PANEL	64310-LBE1-900	5				
9	BODY COVER LOW	83600-LBE1-900	1	N8P			
10	COVER BODY UP/Silver	83500-LBE1-900	2				
11	SEAT ASSY	77200-LAC5-700	8				
12	EMB DMA STRIDER	86020-LAC5-E20	1				
13	EMB DAYS LOGO 35MM	86102-LAC5-E21	1	T01			
14	EMB METER	86444-LAC5-900	9				
15	USE CAUTION	87501-LAC5-900	7				
16	LABEL BATTERY	87508-LBE1-E00	3				
17	MAR DRIVE CAUTION	87560-LAC5-900	4				
18	LABLE SPEED SW	87562-LBE1-E00	3				
DATE OF STARTING-SALES				2004-03-16			
DATE OF END-SALES							

CONTENTS - ENGINE GROUP

E01 MOTOR ASSY

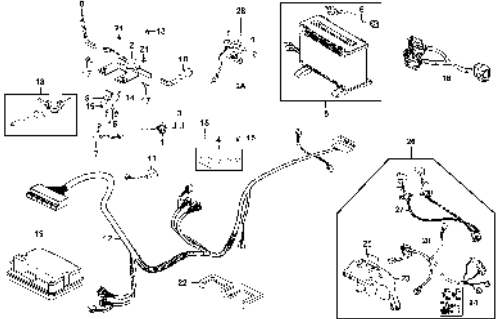


CONTENTS - FRAME GROUP

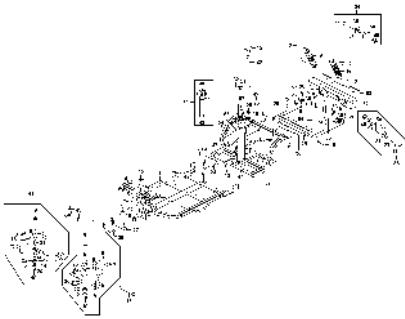
<p>F01 Handle Steering</p>	<p>F02 Floor Panel</p>	<p>F03 Stem Steering</p>
		
<p>F04 Front Wheel</p>	<p>F05 Rear Wheel</p>	<p>F06 Seat</p>
		
<p>F07 Battery</p>	<p>F08 Body Cover</p>	<p>F09 Winker</p>
		

CONTENTS - FRAME GROUP

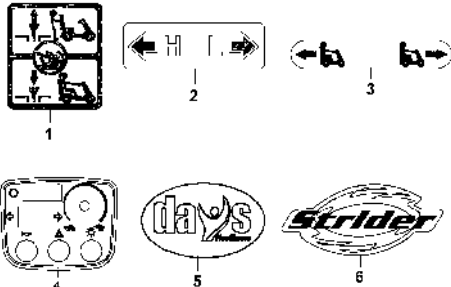
F10 Harness Wire



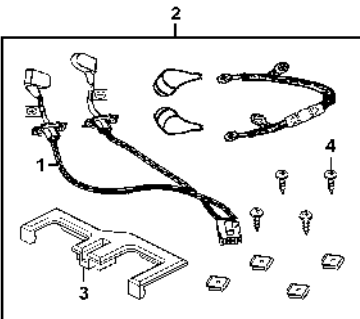
F11 Frame Body



F12 Caution Label

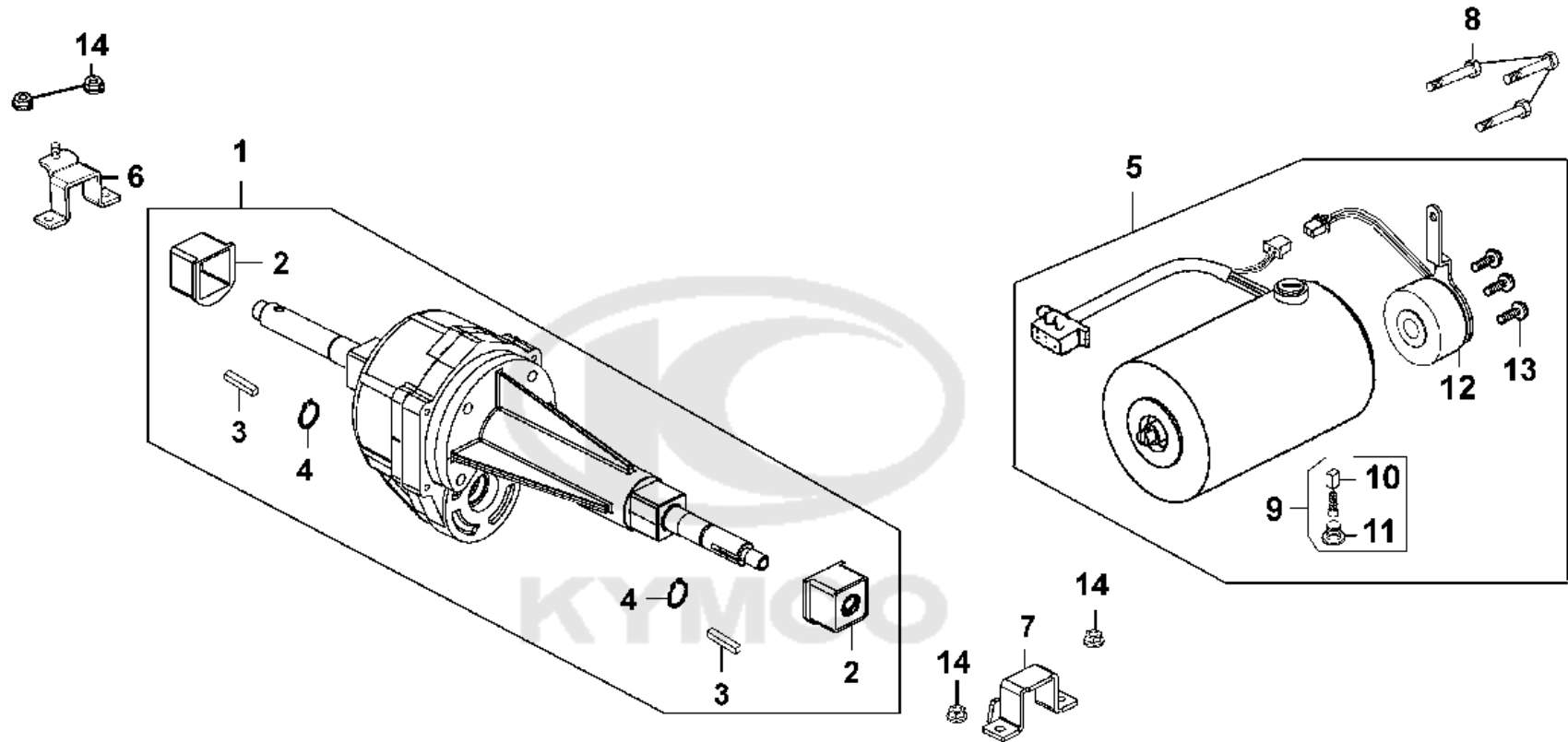


F13 Spare Parts Kit



E01

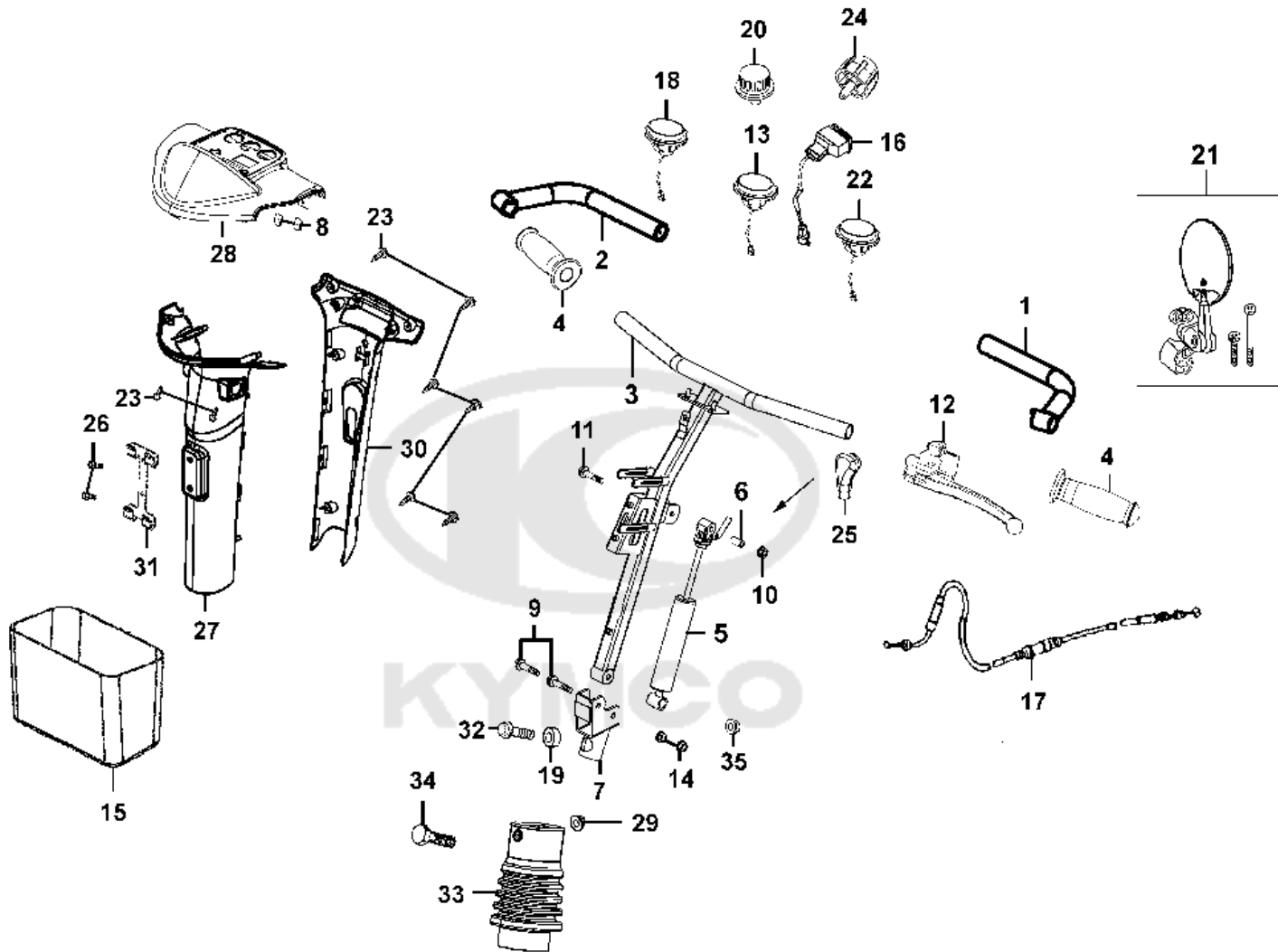
MOTOR ASSY



Sales mark	Ref no	Part no	Description	Reg description	Regd no	Ref Price	E01
1		1110A-LBE1-E21	Obsolete	Obsolete	1		
2		11302-LAC5-900	RUBBER	RUBBER	2	6.50	
3		13331-LAC5-900	KEY 4.8*4.8*30	KEY 4.8*4.8*30	2	3.25	
5		31300-LBE1-810	Obsolete	Obsolete	1		
5		31300-LBE1-950	MOTOR ASSY	MOTOR ASSY	1		
9		31340-LBE1-900	Obsolete	Obsolete	2		
10		31345-LBE1-305	Obsolete	Obsolete	2		
11		31347-LBE1-305	Obsolete	Obsolete	2		
12		31350-LBE1-810	Obsolete	Obsolete	1		
6		50350-LBE1-900	CONNECTOR MISSION	CONNECTOR MISSION	1	5.20	
7		50350-LDB4-900	CONNECTOR MISSION	CONNECTOR MISSION	1	5.20	
13		93891-04012-06	SCREW WASHER 4*12	SCREW WASHER 4*12	1	0.13	
14		94050-08080-G	NUT FLANGE 8MM (C)	NUT FLANGE 8MM (C)	4	0.49	
4		94510-19000	CIRCLIP EX 1.9	CIRCLIP EX 1.9	2	2.12	
8		96600-06060-08G	SCOKET BOLT 8*18	SCOKET BOLT 8*18	3	3.25	

F01

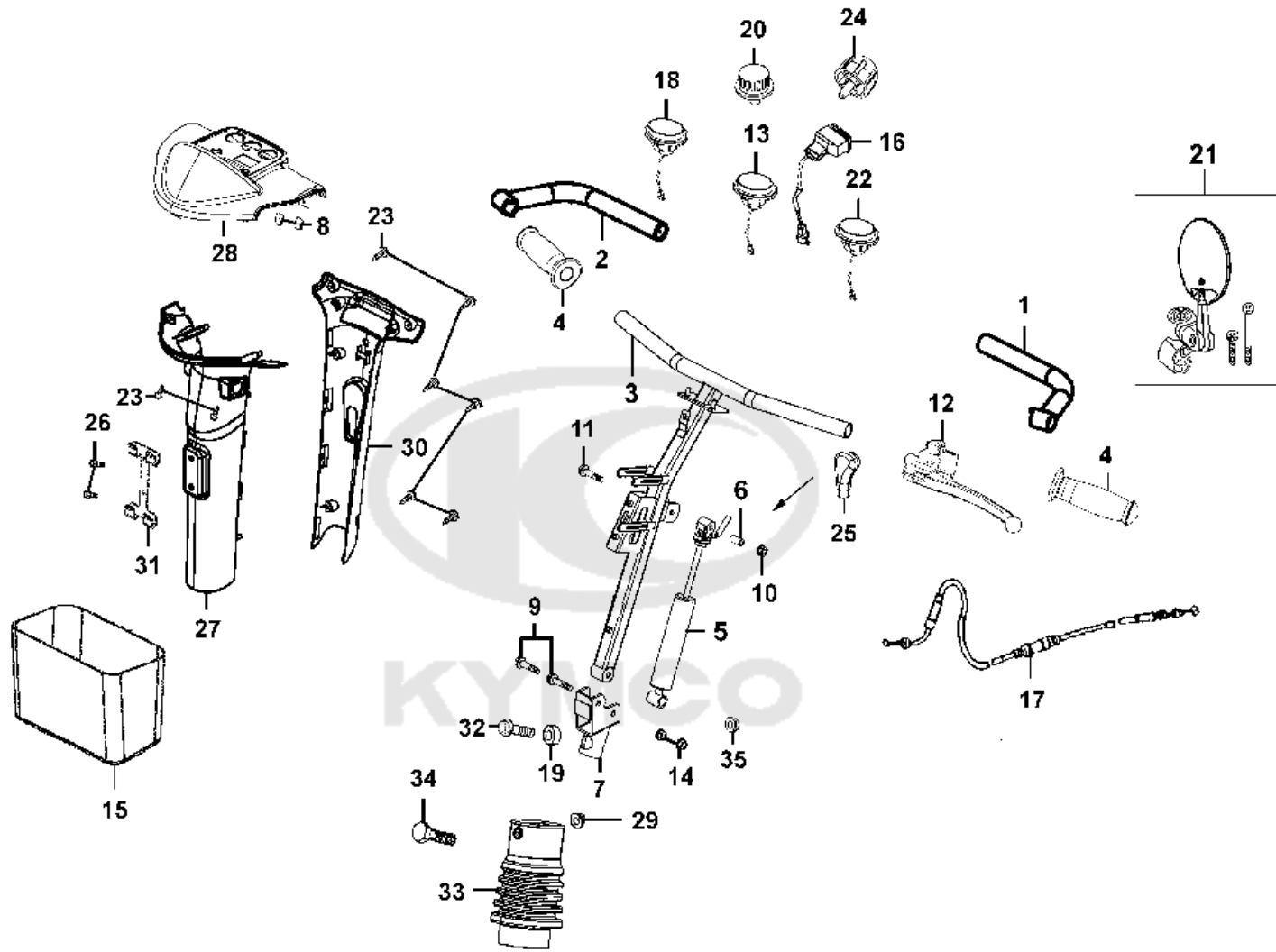
Handle Steering



Sales mark	Ref no	Part no	Description	Reg description	Regd no	Ref Price	F01
	20	35110-LAC5-900	SPEED KNOB ALT 35110-LHD7-900	SPEED KNOB ALT 35110-LHD7-900	1	5.20	
	18	35150-LAC5-900	SW UNIT LIGHTING ALT 3150-LAC5-	SW UNIT LIGHTING ALT 3150-LAC5-900-R	1	6.50	
	22	35180-LAC5-900	SW UNIT HORN **(2) C.2007.02.05	SW UNIT HORN **(2) C.2007.02.05	1	6.50	
	13	35190-LAC5-900	SW UNIT HAZARD	SW UNIT HAZARD	1	6.50	
	16	35200-LAC5-900	SW UNIT WINKER ALT 35200-LAC5-900	SW UNIT WINKER ALT 35200-LAC5-900-R	1	6.50	
	17	45450-LBE1-900	BRAKE CABLE- MAXI RANGE/ MAXER	BRAKE CABLE- MAXI RANGE/ MAXER	1	7.80	
	15	50150-LAC5-900	BASKET ALT 50150-LAC5-910	BASKET ALT 50150-LAC5-910	1	18.20	
	31	50160-LAC5-900	STAY BASKET SET	STAY BASKET SET	1	5.20	
	3	53100-LAC5-900	HANDLE COMP STRG	HANDLE COMP STRG	1	22.10	
	3	53100-LAC5-940	HANDLE COMP STRG	HANDLE COMP STRG	1		
	7	53104-LAC5-900	STAY COMP HANDLE	STAY COMP HANDLE	1	29.25	
	1	5310A-LAC5-900	DELTA HANDLE	DELTA HANDLE	1	10.08	
	2	5310B-LAC5-900	Obsolete	Obsolete	1		
	19	53125-LAC5-900	COLLAR HANDLE SET	COLLAR HANDLE SET	1	3.25	
**	4	53166-LAC5-911	HAND GRIP	HAND GRIP	2	3.25	
	12	5317B-LAC5-900	BRACKET ASSY HANDLE LH	BRACKET ASSY HANDLE LH	1	9.75	
	5	53190-LAC5-90A	ADJUSTER HANDLE/ Gas strut	ADJUSTER HANDLE/ Gas strut	1	29.25	
	6	53191-LAC5-900	COLLAR ADJUSTER	COLLAR ADJUSTER	1	1.33	
	25	53196-LAC5-900	BLACK GRIP	BLACK GRIP	1	3.21	
**	27	53205-LAC5-900	COVER HANDLE FR **(4) C.2005.09.08	COVER HANDLE FR **(4) C.2005.09.08	1	18.20	

F01

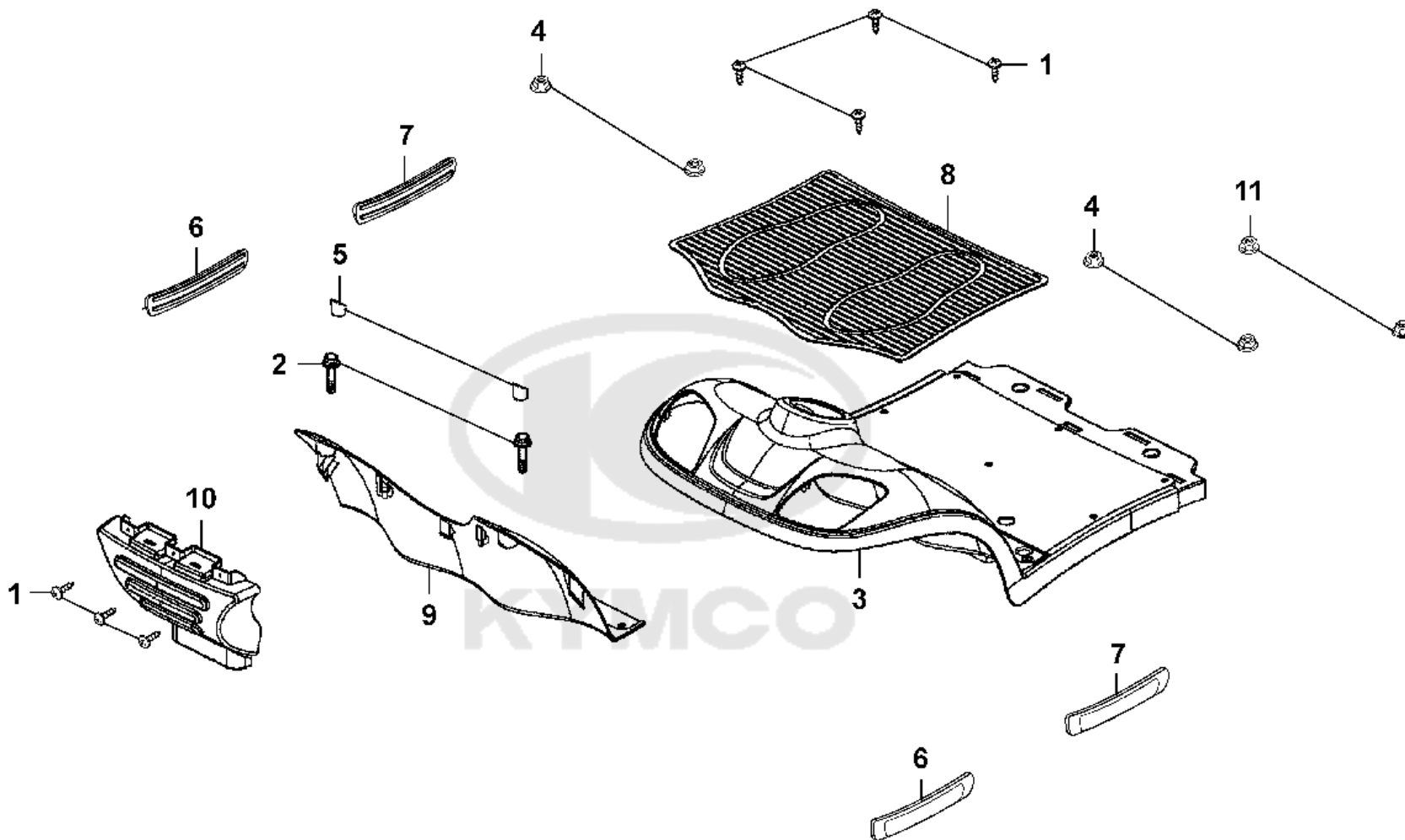
Handle Steering



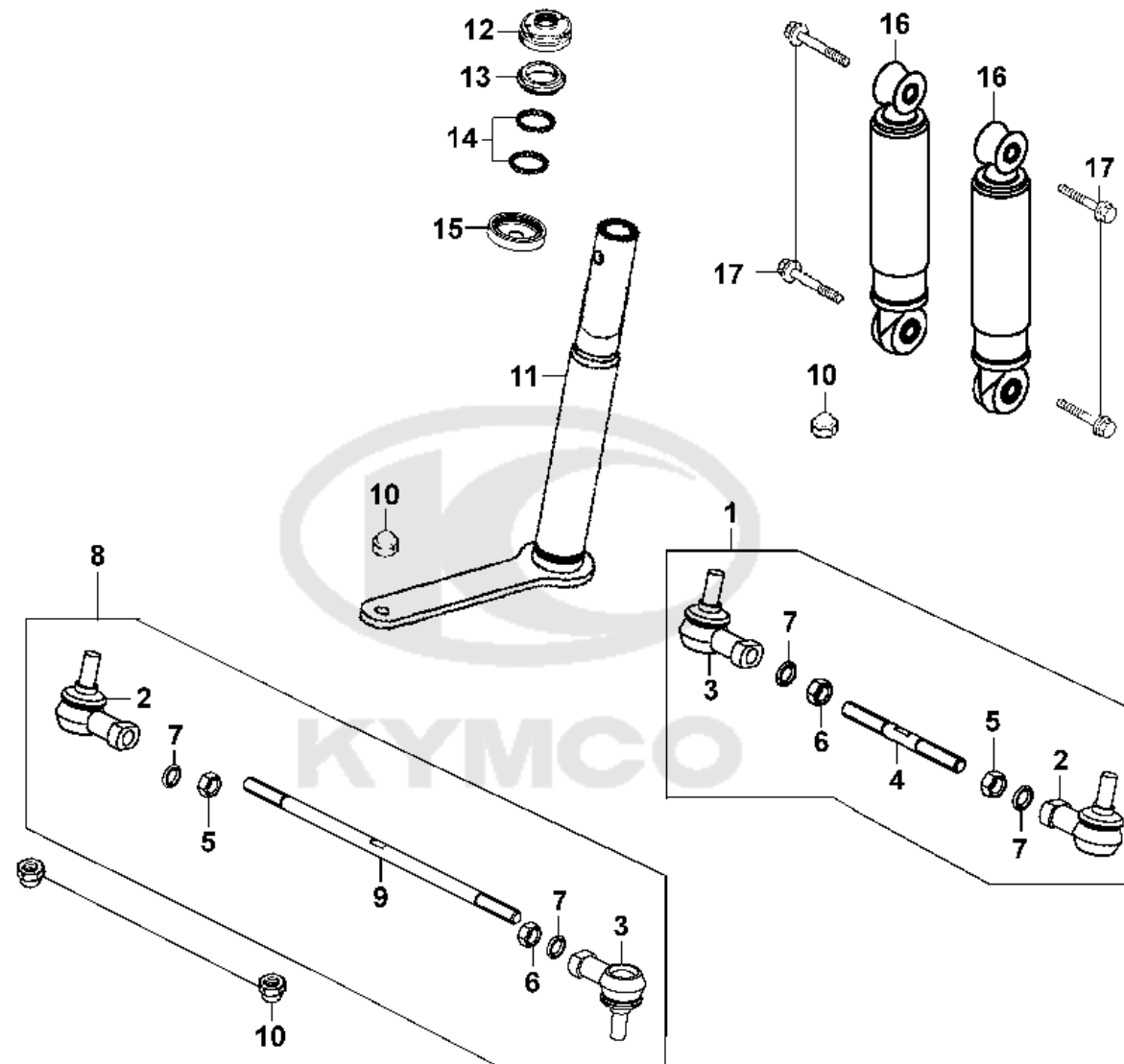
Sales mark	Ref no	Part no	Description	Reg description	Regd no	Ref Price	F01
**	30	53206-LBE1-900	COVER HANDLE RR **(0) C.2006.01.25	COVER HANDLE RR **(0) C.2006.01.25	1	18.20	
**	28	53207-LAC5-900	METER COVER **(5) C.2006.01.18	METER COVER **(5) C.2006.01.18	1	10.40	
	33	53209-LAC5-900	COVER DUST	COVER DUST	1	11.70	
	9	53406-LAC5-900	BOLT HANDLE SET	BOLT HANDLE SET	1	3.25	
	21	88120-LAC5-910	MIRROR ASSY BACK	MIRROR ASSY BACK	1	16.25	
	24	88130-LAC5-900	CAP HANDLE PIPE	CAP HANDLE PIPE	1	5.00	
	14	90301-4C73-004	NUT U 6MM **473-0040 C.2005.03.01	NUT U 6MM **473-0040 C.2005.03.01	2	0.25	
	26	90302-GFY6-911	BOLT-WASH 5*12	BOLT-WASH 5*12	2	3.25	
	34	90302-KEC8-910	BOLT PAN 5*9	BOLT PAN 5*9	2	3.25	
	8	90302-LAC5-004	NUT SPRING 4MM	NUT SPRING 4MM	5	3.25	
	35	90309-GLW0-90A	NUT U FLANGE 8MM **(0) C.2009.03.05	NUT U FLANGE 8MM **(0) C.2009.03.05	1	0.85	
	23	93903-34380-G	SCREW TAPPING 4x12	SCREW TAPPING 4x12	1	3.25	
	29	94001-06080-0S	NUT HEX 6MM	NUT HEX 6MM	1	0.23	
	10	94050-08080-G	NUT FLANGE 8MM (C)	NUT FLANGE 8MM (C)	1	0.49	
	11	95801-08035-06	BOLT FLANGE 8*35 **LLJ1-900	BOLT FLANGE 8*35 **LLJ1-900	1	0.36	
	32	95801-08045-08G	BOLT FLANGE 8*45	BOLT FLANGE 8*45	1	0.49	

F02

Floor Panel



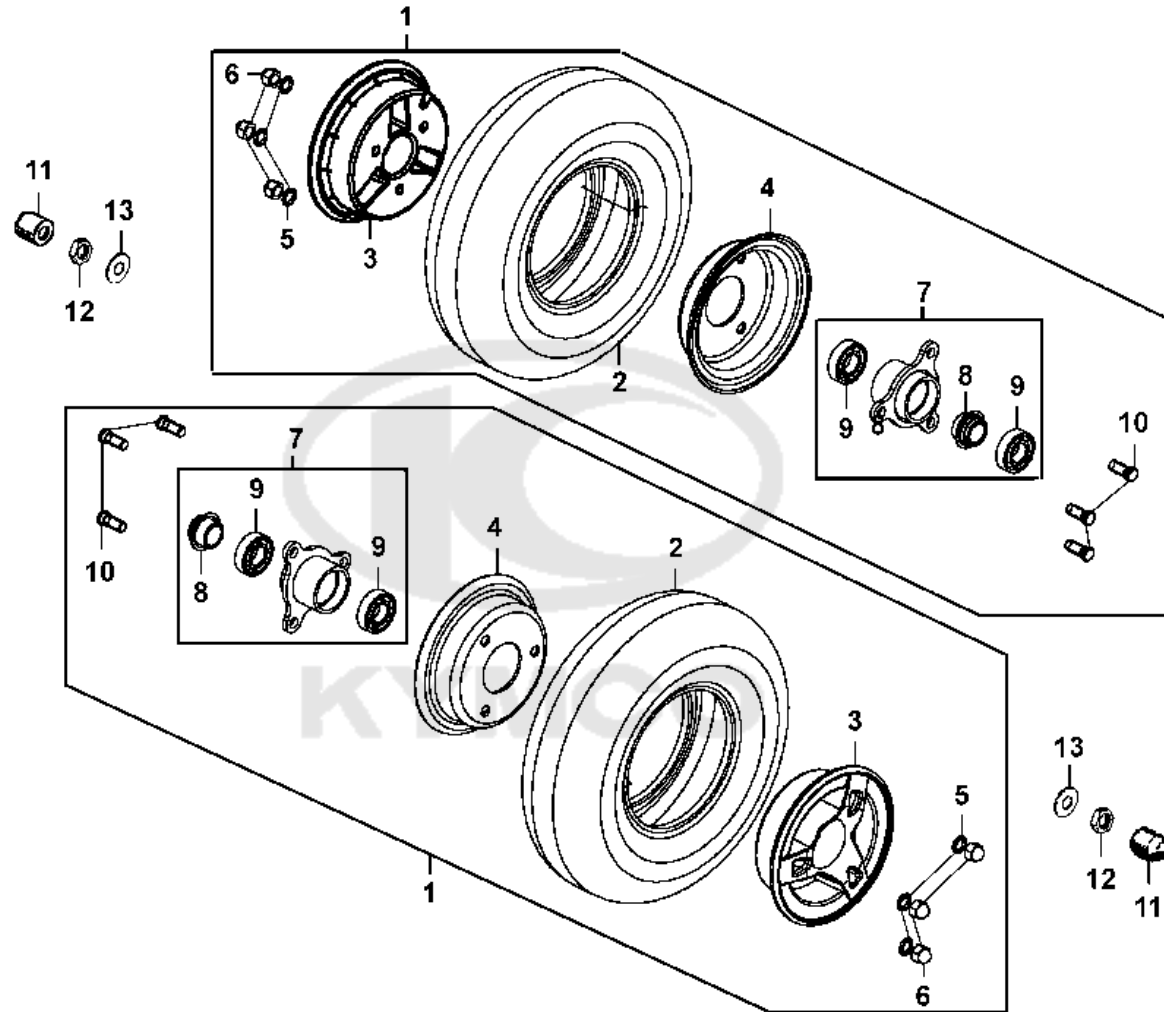
Sales mark	Ref no	Part no	Description	Reg description	Regd no	Ref Price	F02
**	10	64302-LBE1-900	BUMPER FR alt 64302-LBE1-920-N1R	BUMPER FR alt 64302-LBE1-920-N1R	1		
**	3	64310-LBE1-900	FR FLOOR PANEL- MAXI RANGE-	FR FLOOR PANEL- MAXI RANGE-	1	97.50	
	6	64311-LBB7-E00	MOLD A **(0) C.2005.07.01	MOLD A **(0) C.2005.07.01	2	3.25	
	7	64312-LBE1-900	MOLD B **(0) C.2005.04.01	MOLD B **(0) C.2005.04.01	2	3.25	
	5	64316-LBE1-900	PLUG FLOOR **(0) C.2005.09.21	PLUG FLOOR **(0) C.2005.09.21	2	3.25	
**	8	64320-LBE1-900	FLOOR MAT- MAXI RANGE- BLACK	FLOOR MAT- MAXI RANGE- BLACK MAT	1	14.30	
**	9	64330-LBE1-900	COVER FLOOR **900 C.2005.09.21	COVER FLOOR **900 C.2005.09.21	1	11.70	
	2	90023-LAC5-001	BOLT SEAT LOCK 6X13.5	BOLT SEAT LOCK 6X13.5	2	3.25	
	11	90301-LAC5-001	NUT 6MM OPENSTAY	NUT 6MM OPENSTAY	3	3.25	
	4	90301-LAC5-671	NUT FLANGE 6MM	NUT FLANGE 6MM	6	3.25	
	1	93903-34380-G	SCREW TAPPING 4x12	SCREW TAPPING 4x12	1	3.25	



Sales mark	Ref no	Part no	Description	Reg description	Regd no	Ref Price	F03
	12	50306-1F96-001	NUT STRG STEM LOCK	NUT STRG STEM LOCK	1	1.18	
	16	51400-LBE1-900	Obsolete	Obsolete	2		
	11	53200-LBE1-900	Obsolete	Obsolete	1		
	13	53211-GFY6-940	RACE STRG TOP CONE **GY6-9400	RACE STRG TOP CONE **GY6-9400	1	1.87	
	15	53212-LDB4-004	ORDER 53212-GHC8-004	ORDER 53212-GHC8-004	1	3.25	
	8	53700-LBE1-900	Obsolete	Obsolete	1		
	9	53701-LBE1-900	ROD COMP STEERING R M8*325 **(3)	ROD COMP STEERING R M8*325 **(3)	1	16.25	
	3	53702-LAC5-900	BALL JOINT R	BALL JOINT R	2	6.50	
	2	53703-LAC5-900	JOINT L BALL	JOINT L BALL	2	16.25	
	1	53800-LBE1-900	Obsolete	Obsolete	1		
	4	53801-LBE1-900	ROD COMP STEERING L M8*140 **(3)	ROD COMP STEERING L M8*140 **(3)	1	11.70	
	10	90309-GLW0-90A	NUT U FLANGE 8MM **(0) C.2009.03.05	NUT U FLANGE 8MM **(0) C.2009.03.05	4	0.85	
	6	94001-08080-0S	NUT HEX 8MM	NUT HEX 8MM	2	0.49	
	5	94001-LAC5-900	NUT HEX 8MM L	NUT HEX 8MM L	2	0.55	
	7	94111-08800	WASHER SPRING 8MM	WASHER SPRING 8MM	4	0.33	
	17	95801-08035-06	BOLT FLANGE 8*35 **LLJ1-900	BOLT FLANGE 8*35 **LLJ1-900	4	0.36	
	14	96211-05000	BALL BEARING PACK OF 100	BALL BEARING PACK OF 100	55	3.25	

F04

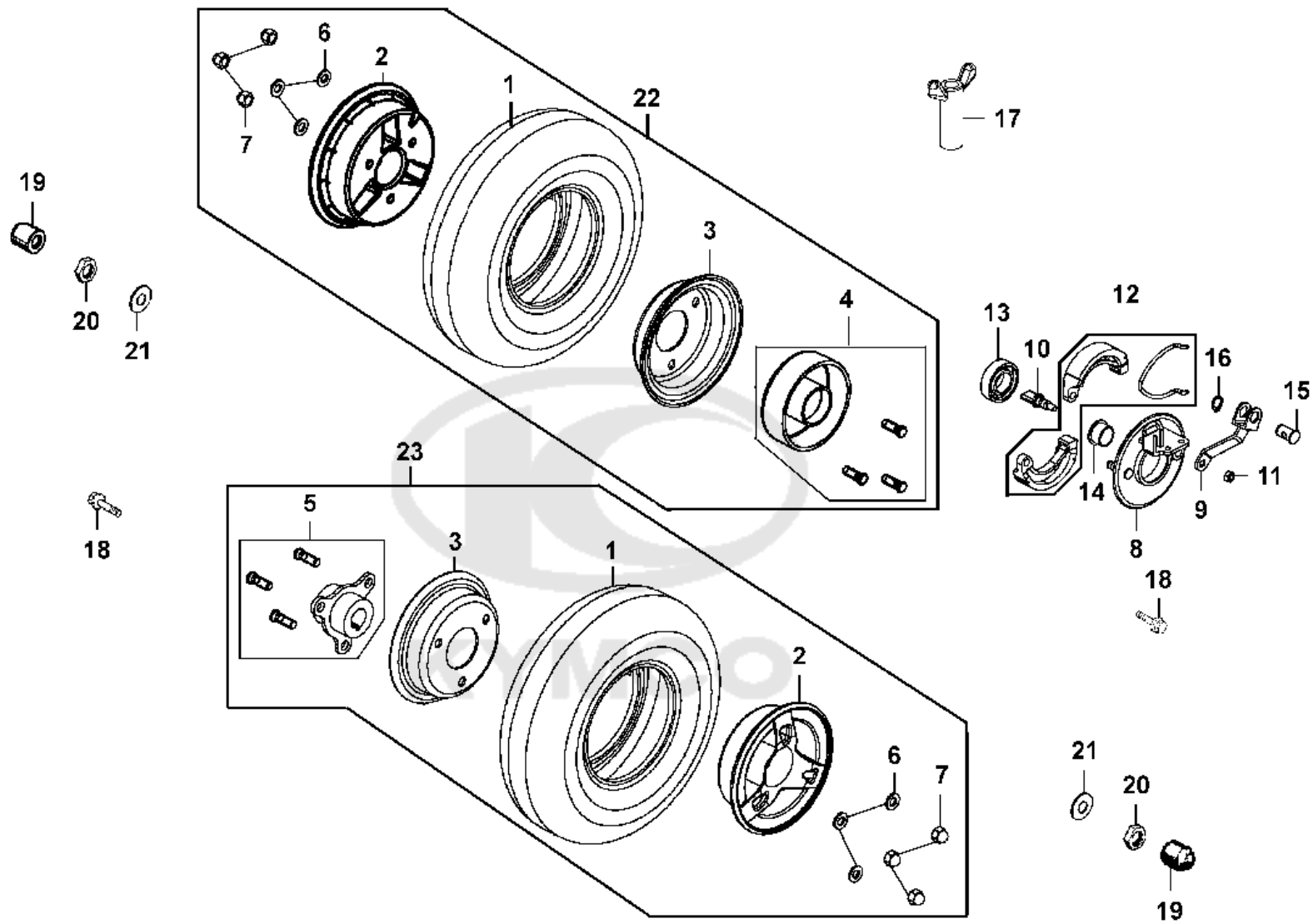
Front Wheel



Sales mark	Ref no	Part no	Description	Reg description	Regd no	Ref Price	F04
	11	44315-LAC5-900	CAP FR AXLE **(0) C.2003.10.22	CAP FR AXLE **(0) C.2003.10.22	2	3.25	
	1	44600-LBE1-900	MAXI WHEEL ASSY-FRONT- 4.00x5	MAXI WHEEL ASSY-FRONT- 4.00x5	2	61.06	
	8	44620-LBE1-900	DIST COLLAR FR WHEEL **(0)	DIST COLLAR FR WHEEL **(0)	1	3.25	
	7	44650-LBE1-900	WHEEL COMP FR **(0) C.2005.09.21	WHEEL COMP FR **(0) C.2005.09.21	1	22.75	
	3	44701-LBE1-900	RIM CAST FR **(0) C.2005.09.21	RIM CAST FR **(0) C.2005.09.21	1	13.00	
	4	44702-LBE1-900	RIM COMP FR **(0) C.2005.09.21	RIM COMP FR **(0) C.2005.09.21	1	12.35	
	13	44705-LAC5-900	WASHER 12MM	WASHER 12MM	2	3.25	
	2	44710-LBE1-900	TIRE ASSY FR	TIRE ASSY FR	1	25.00	
	10	90105-LAC5-900	BOLT M8*20 **(0) C.2005.09.08	BOLT M8*20 **(0) C.2005.09.08	6	3.25	
	12	90304-GHE8-004	NUT U 10MM **GE8-0040 C.2005.03.01	NUT U 10MM **GE8-0040 C.2005.03.01	2	0.68	
	6	94021-08020-0S	NUT HEX CAP 8MM	NUT HEX CAP 8MM	6	3.25	
	5	94111-08800	WASHER SPRING 8MM	WASHER SPRING 8MM	6	0.33	
	9	96130-62020-00	BEARING BALL RADIAL 6202	BEARING BALL RADIAL 6202	2	3.25	

F05

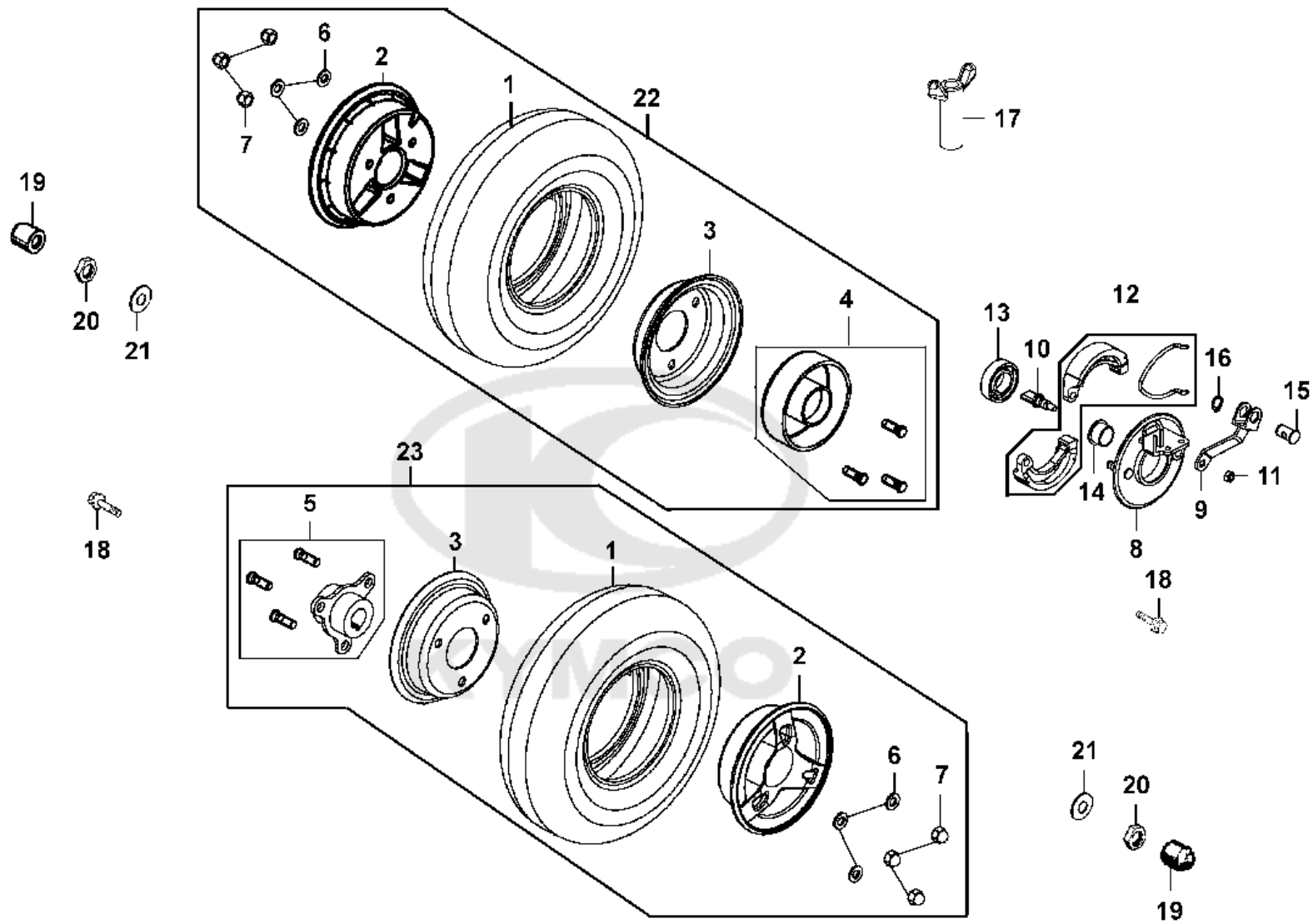
Rear Wheel



Sales mark	Ref no	Part no	Description	Reg description	Regd no	Ref Price	F05
	19	42315-LAC5-900	CAP RR AXLE **(0) C.2003.10.22	CAP RR AXLE **(0) C.2003.10.22	2	3.25	
	22	42500-LBE1-900	MAXI WHEEL ASSY-REAR LEFT-	MAXI WHEEL ASSY-REAR LEFT- 4.00x5	1	58.50	
	4	4251A-LBE1-900	HUB ASSY RR	HUB ASSY RR	1	14.95	
	23	42600-LBE1-900	MAXI WHEEL ASSY-REAR RIGHT-	MAXI WHEEL ASSY-REAR RIGHT- 4.00x5	1	58.50	
	5	4261A-LBE1-900	CONNECTOR ASSY RR **(0)	CONNECTOR ASSY RR **(0) C.2005.09.21	1	11.70	
	21	42705-LAC5-900	WASHER 12MM RR WHEEL	WASHER 12MM RR WHEEL	2	3.25	
	1	42710-LBE1-900	TIRE ASSY RR /KENDA	TIRE ASSY RR /KENDA	2	25.00	
	8	43100-LBE1-910	PANEL COMP RR BRK	PANEL COMP RR BRK	1		
	14	43101-LBE1-900	COLLAR SET PANEL	COLLAR SET PANEL	1	3.25	
	17	43102-LBE1-900	ADJUST NUT PANEL	ADJUST NUT PANEL	1	3.25	
	9	43410-LBE1-900	ARM RR BRK	ARM RR BRK	1		
	15	43413-LBE1-900	BREAK ARM JOINT **(0) C.2005.09.21	BREAK ARM JOINT **(0) C.2005.09.21	1	0.98	
	2	44701-LBE1-900	RIM CAST FR **(0) C.2005.09.21	RIM CAST FR **(0) C.2005.09.21	2	13.00	
	3	44702-LBE1-900	RIM COMP FR **(0) C.2005.09.21	RIM COMP FR **(0) C.2005.09.21	2	12.35	
	12	4512A-LBE1-900	SHOE ASSY	SHOE ASSY	1		
	10	45141-LAC5-900	CAM FR BRK R/H	CAM FR BRK R/H	1	13.00	
	20	90306-GLW0-90A	NUT FLANGE 12MM **(0) C.2009.03.05	NUT FLANGE 12MM **(0) C.2009.03.05	1	0.85	
	11	94001-06080-0SG	NUT HEX 6MM	NUT HEX 6MM	1	3.25	
	7	94021-08020-0S	NUT HEX CAP 8MM	NUT HEX CAP 8MM	6	3.25	
	6	94111-08800	WASHER SPRING 8MM	WASHER SPRING 8MM	6	0.33	

F05

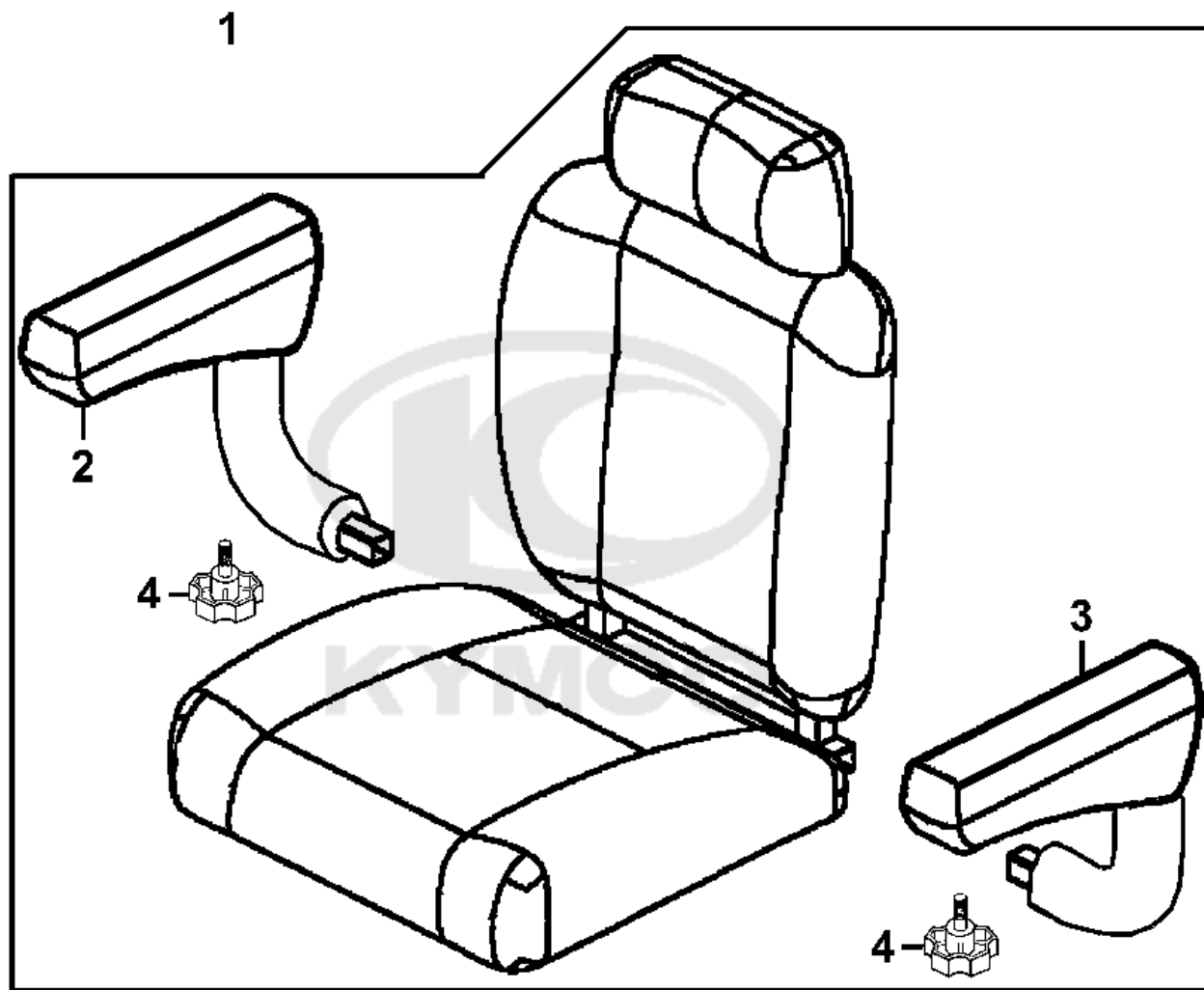
Rear Wheel



Sales mark	Ref no	Part no	Description	Reg description	Regd no	Ref Price	F05
------------	--------	---------	-------------	-----------------	---------	-----------	-----

16		94510-12000	CIR CLIP EX 12MM	CIR CLIP EX 12MM	1	2.02	
18		95701-06012-06	BOLT FLANGE 6*12 **07 C.2005.07.01	BOLT FLANGE 6*12 **07 C.2005.07.01	1	0.47	
13		96130-60022-00	BEARING BALL RADIAL 60/22 ZZ	BEARING BALL RADIAL 60/22 ZZ	1		

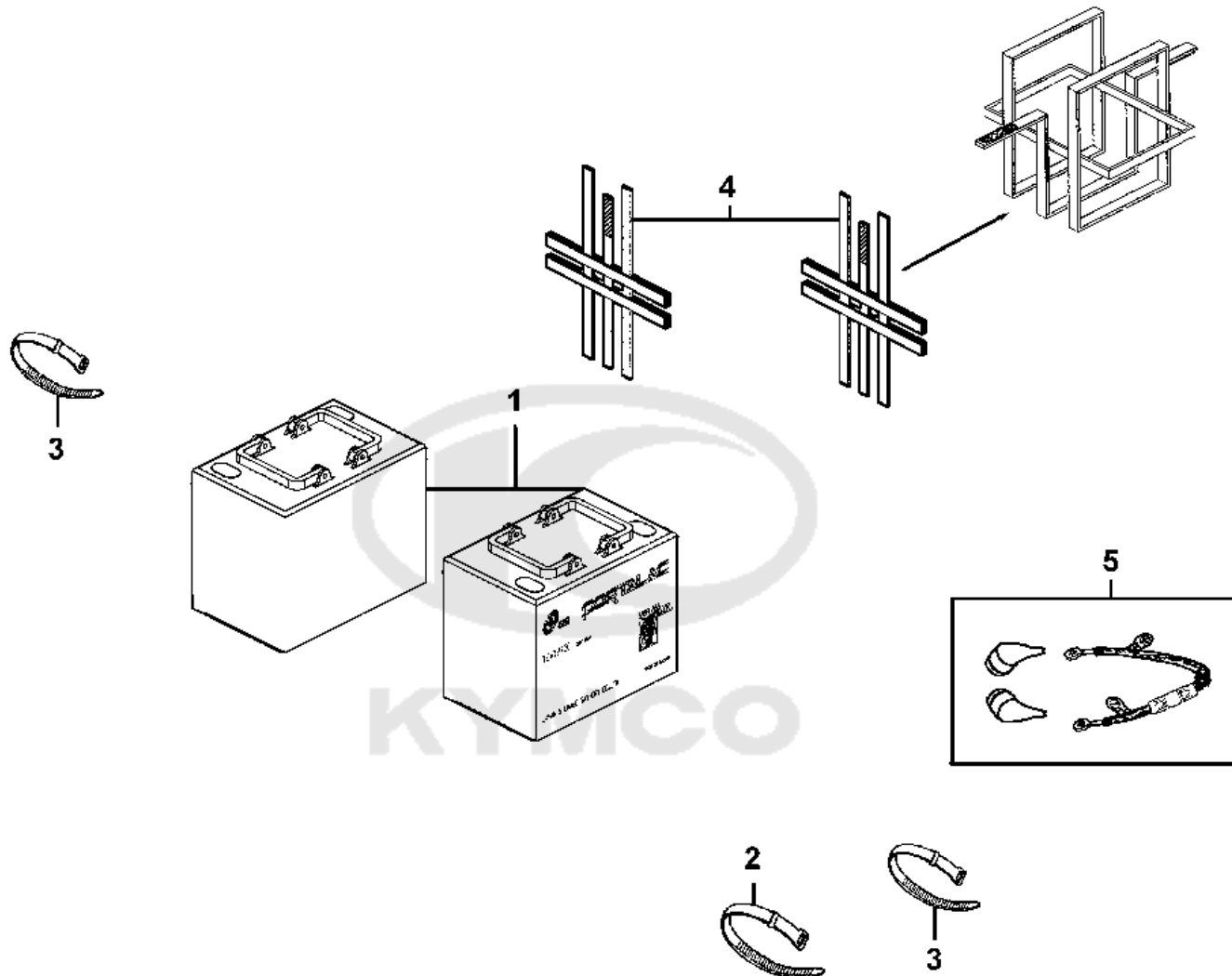




Sales mark	Ref no	Part no	Description	Reg description	Regd no	Ref Price	F06
------------	--------	---------	-------------	-----------------	---------	-----------	-----

	2	77100-LAC5-900	R/H USE 77100-LDB4-700	R/H USE 77100-LDB4-700	1	31.20	
**	1	77200-LAC5-700	SEAT ASSY	SEAT ASSY	1	206.81	
	4	77223-LAC5-305	BOLT LOCK ARM REST	BOLT LOCK ARM REST	2	3.25	
	3	77300-LAC5-900	L/H USE 77300-LDB4-700	L/H USE 77300-LDB4-700	1	31.20	





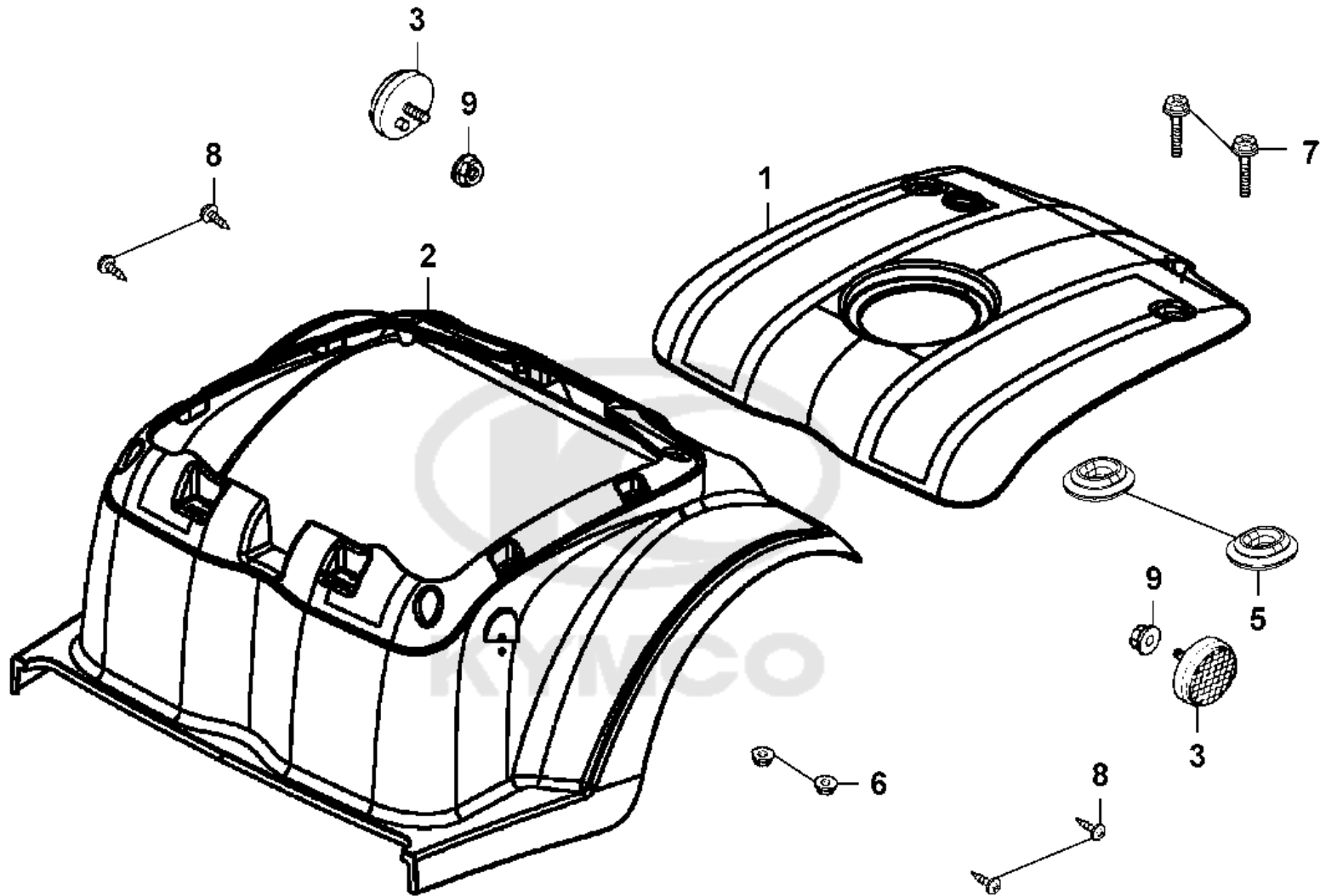
Sales mark	Ref no	Part no	Description	Reg description	Regd no	Ref Price	F07
------------	--------	---------	-------------	-----------------	---------	-----------	-----

1		31500-LBE1-900	ORDER 31500-BAT70	ORDER 31500-BAT70	2	125.00	
2		31510-LBE1-900	BAND A BATTERY **(0) C.2005.09.21	BAND A BATTERY **(0) C.2005.09.21	1	3.25	
3		31520-LBE1-900	BAND B BATTERY **(0) C.2005.09.21	BAND B BATTERY **(0) C.2005.09.21	2	3.25	
5		32103-LBE1-E20	ORDER 32103-LBE1-940	ORDER 32103-LBE1-940	1		
4		50325-LBE1-900	Obsolete	Obsolete	2		



F08

Body Cover

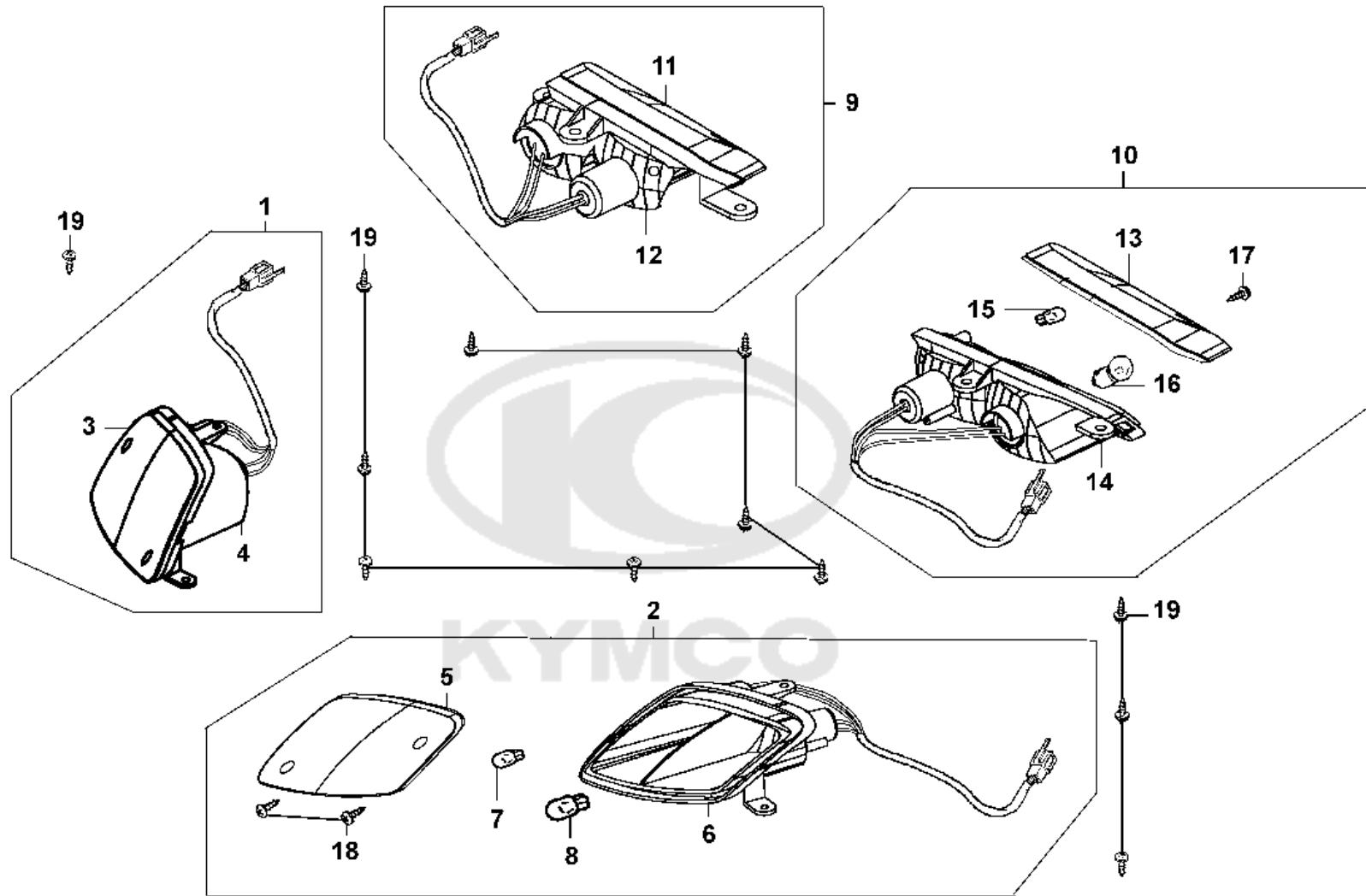


Sales mark	Ref no	Part no	Description	Reg description	Regd no	Ref Price	F08
	3	33741-GFY6-C30	REFLEX REFLECTOR ORANGE	REFLEX REFLECTOR ORANGE	2	2.08	
**	1	83500-LBE1-900	REAR BATTERY COVER- MAXI RANGE	REAR BATTERY COVER- MAXI RANGE-	1	22.75	
	5	83551-KKAK-900	GROMMET AIR/C CASE **KAK-9000	GROMMET AIR/C CASE **KAK-9000	2	0.64	
**	2	83600-LBE1-900	REAR BODY PANEL- MAXI RANGE-	REAR BODY PANEL- MAXI RANGE-	1	84.50	
	6	90301-LAC5-671	NUT FLANGE 6MM	NUT FLANGE 6MM	6	3.25	
	7	90302-KEC8-910	BOLT PAN 5*9	BOLT PAN 5*9	2	3.25	
	8	93903-34380-G	SCREW TAPPING 4x12	SCREW TAPPING 4x12	1	3.25	
	9	94050-06080-G	NUT FLANGE 6MM	NUT FLANGE 6MM	2	0.49	



F09

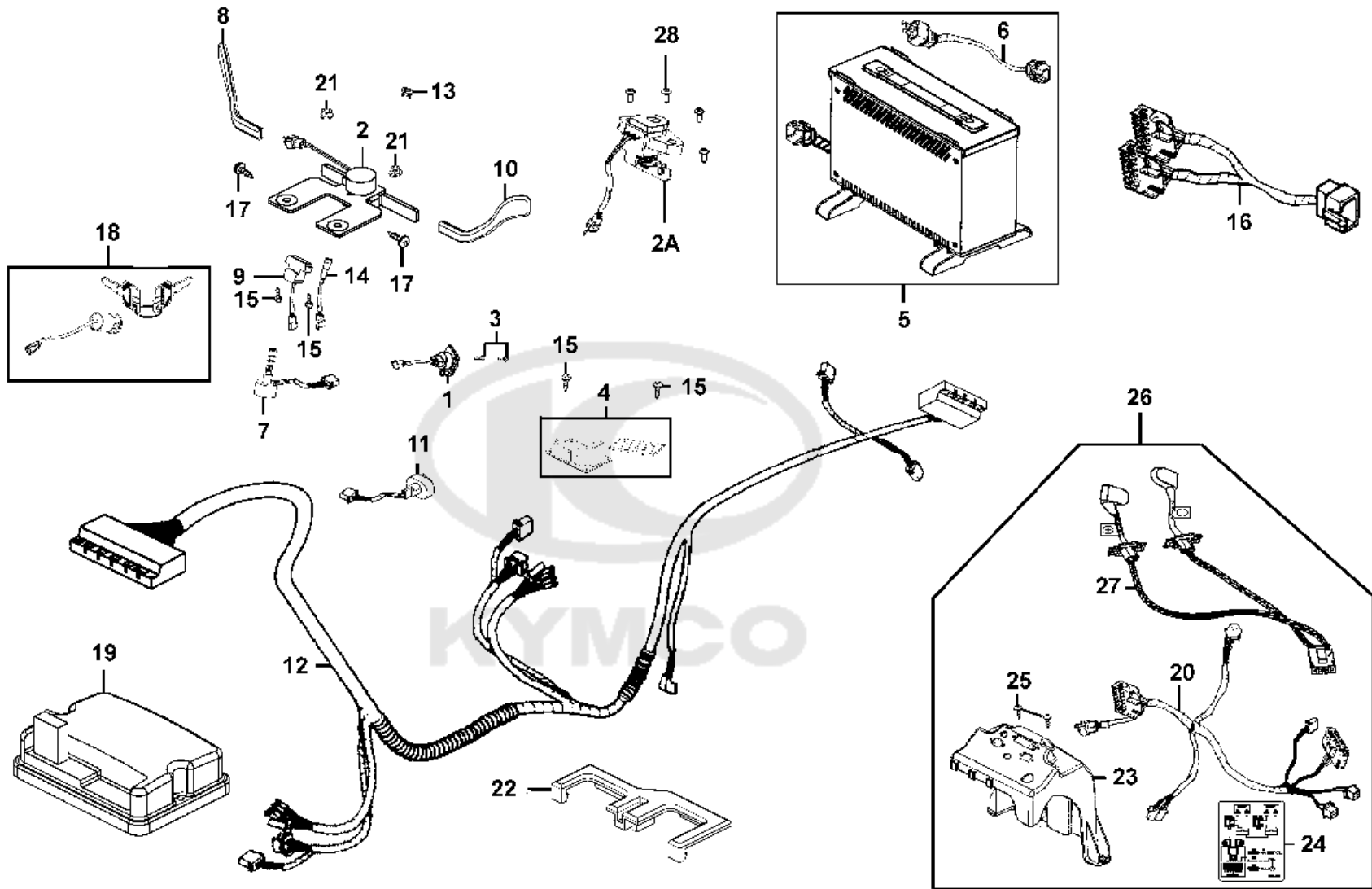
Winker



Sales mark	Ref no	Part no	Description	Reg description	Regd no	Ref Price	F09
	1	33400-LBE1-900	WINKER ASSY RH FR **(1)	WINKER ASSY RH FR **(1) C.2007.10.15	1	16.25	
	3	33401-LBE1-900	LENS COMP R FR WINKER	LENS COMP R FR WINKER	1	6.50	
	4	33404-LBE1-900	BASE COMP R FR WINKER	BASE COMP R FR WINKER	1	9.75	
	2	33450-LBE1-900	WINKER ASSY LH FR **(1)	WINKER ASSY LH FR **(1) C.2007.10.15	1	16.25	
	5	33451-LBE1-900	LENS COMP L FR WINKER	LENS COMP L FR WINKER	1	6.50	
	6	33454-LBE1-900	BASE COMP L FR WINKER	BASE COMP L FR WINKER	1	9.75	
	9	33600-LAC5-900	WINKER ASSY RH RR	WINKER ASSY RH RR	1	16.25	
	11	33601-LAC5-900	LENS COMP R RR WINKER	LENS COMP R RR WINKER	1	6.50	
	12	33604-LAC5-900	BASE COMP R RR WINKER	BASE COMP R RR WINKER	1	9.75	
	10	33650-LAC5-900	WINKER ASSY LH RR	WINKER ASSY LH RR	1	16.25	
	13	33651-LAC5-900	LENS COMP L RR WINKER	LENS COMP L RR WINKER	1	6.50	
	14	33654-LAC5-900	BASE COMP L RR WINKER	BASE COMP L RR WINKER	1	6.50	
	15	34903-LAC5-900	BULB POSITION	BULB POSITION	2	3.25	
	7	34903-LBE1-900	BULB POSITION (24V 5W)	BULB POSITION (24V 5W)	2	3.25	
	16	34905-LAC5-900	BULB WINKER 24V 10W	BULB WINKER 24V 10W	2	3.25	
	8	34905-LBE1-900	BULB WINKER 24V 10W	BULB WINKER 24V 10W	2	3.25	
	17	93901-32310	SCREW TAPPING 3*12	SCREW TAPPING 3*12	2	3.25	
	18	93901-32320	SCREW TAPPING 3*12	SCREW TAPPING 3*12	4	0.26	
	19	93903-34380-G	SCREW TAPPING 4x12	SCREW TAPPING 4x12	1	3.25	

F10

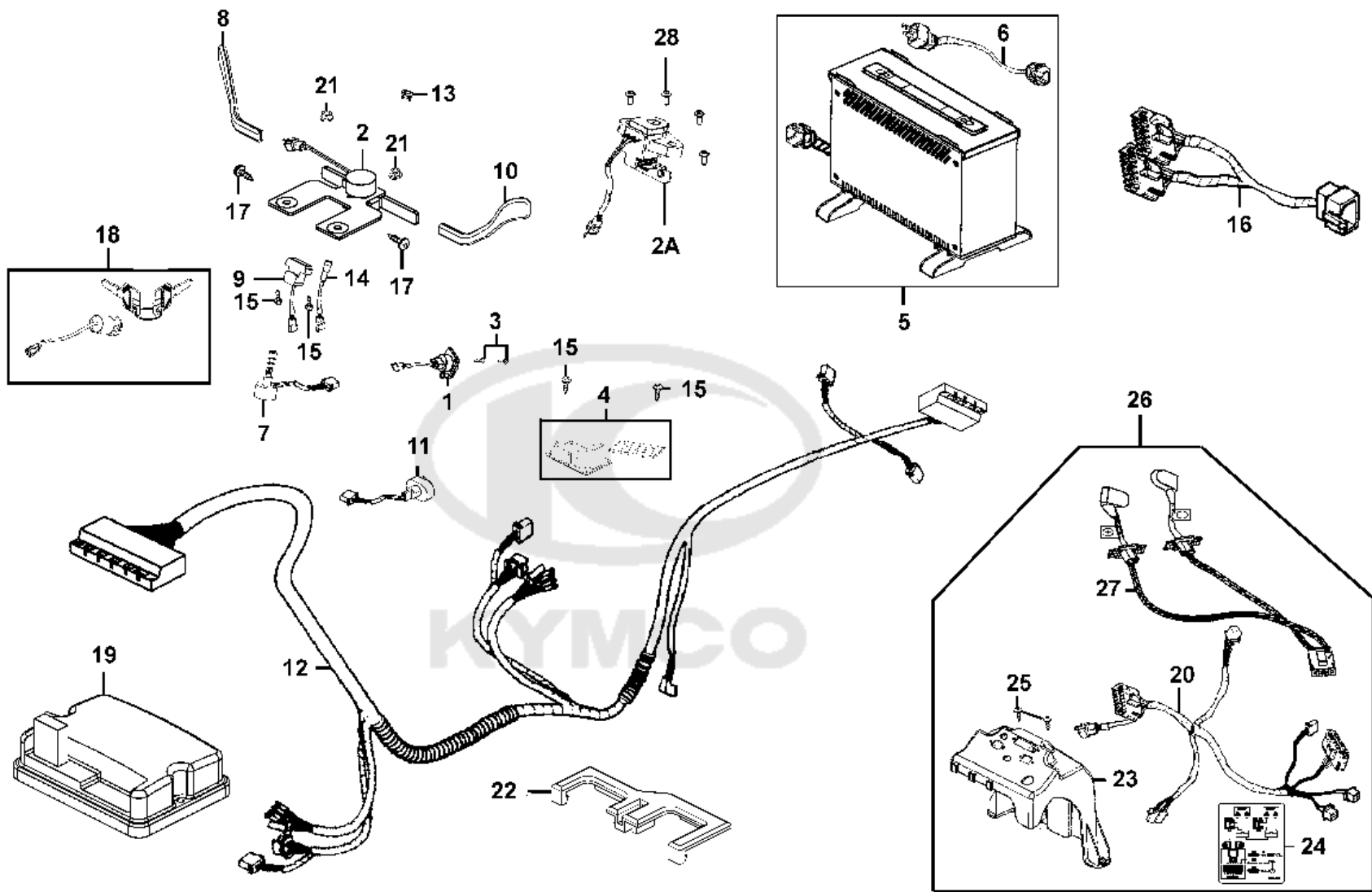
Harness Wire



Sales mark	Ref no	Part no	Description	Reg description	Regd no	Ref Price	F10
6		31280-LAC5-E20	CORD AC POWER	CORD AC POWER	1	6.50	
5		31800-ABA5-E20	BATTERY CHARGER ASSY ALT 31800-	BATTERY CHARGER ASSY ALT 31800-	1	150.00	
12		32100-LBE1-900	Obsolete	Obsolete	1		
12		32100-LBE1-920	Obsolete	Obsolete	1		
20		32101-LBE1-900	Obsolete	Obsolete	1		
20		32101-LBE1-920	Obsolete	Obsolete	1		
20		32101-LBE1-930	Obsolete	Obsolete	1		
27		32102-LBE1-E20	CORD SET POWER	CORD SET POWER	1		
27		32102-LBE1-E23	Obsolete	Obsolete	1		
26		3210B-LBE1-E20	Obsolete	Obsolete	1		
26		3210B-LBE1-E21	Obsolete	Obsolete	1		
1		32620-LAC5-900	SOCKET CHARGER	SOCKET CHARGER	1	8.45	
16		33710-LAC5-900	REAR LIGHT LOOM	REAR LIGHT LOOM	1	3.25	
2		34010-LAC5-900	THROTTLE	THROTTLE	1	39.00	
18		35010-LAC5-E00	KEY SET	KEY SET	1	16.25	
7		35115-LAC5-900	SPEED POT 20K?	SPEED POT 20K?	1	11.70	
11		35330-LBE1-900	SW UNIT HI/LO	SW UNIT HI/LO	1	6.50	
19		36000-LBE1-E20	Obsolete	Obsolete	1		
19		36000-LBE1-E23	Obsolete	Obsolete	1		
22		36003-LBE1-E00	"LID,CONTROLLER"	"LID,CONTROLLER"	1	3.25	

F10

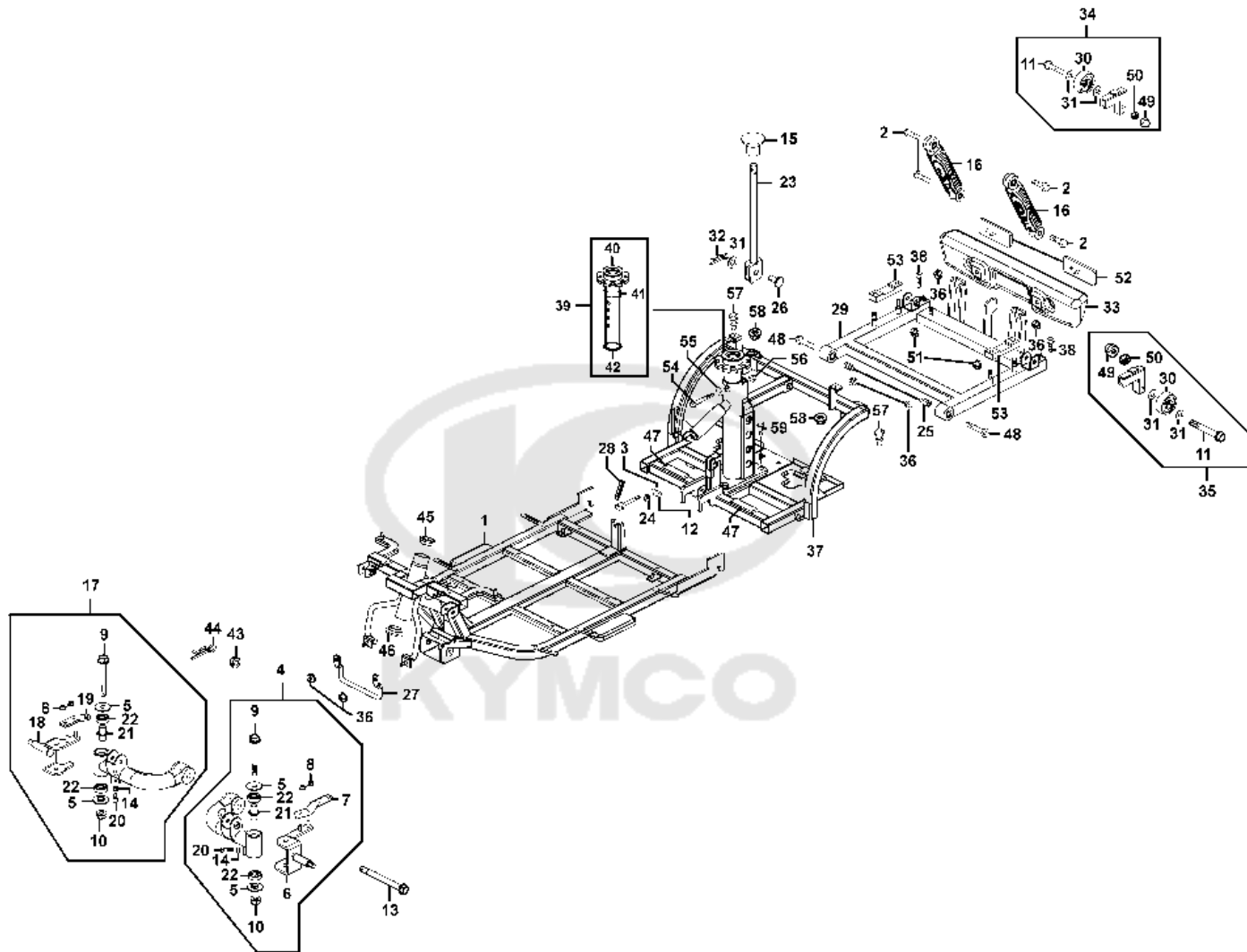
Harness Wire



Sales mark	Ref no	Part no	Description	Reg description	Regd no	Ref Price	F10
	4	36100-AAH6-E20	CONTROL METER	CONTROL METER	1	42.50	
	2A	36101-AAH6-E20	FROM EQ35BCUK04398/	FROM EQ35BCUK04398/ EQ35CBUK01270	1	28.60	
	8	36108-LBE1-900	LEVER RH SPEED THROTTLE	LEVER RH SPEED THROTTLE	1	6.50	
	10	36109-LBE1-900	LEVER LH SPEED THROTTLE	LEVER LH SPEED THROTTLE	1	6.50	
	14	36110-LAC5-900	LED	LED	1	3.25	
	13	36120-LAC5-900	LED HOUSE	LED HOUSE	1	3.25	
	9	37806-LAC5-900	VU METER **(0) C.2005.09.08	VU METER **(0) C.2005.09.08	1	9.10	
	23	80101-LBE1-900	Obsolete	Obsolete	1		
**	24	87508-LBE1-E00	LABEL BATTERY	LABEL BATTERY	1		
	28	93500-04012-0HG	SCREW PAN 4*12	SCREW PAN 4*12	4	3.25	
	3	93600-02008-0A	SCREW FLAT 2.5*8	SCREW FLAT 2.5*8	2	3.25	
	17	93891-05025-06	SCREW WASHER 5*25 **07	SCREW WASHER 5*25 **07 C.2006.01.04	2	0.26	
	15	93901-32120	SCREW TAPPING 3*8 *(1) C.V.	SCREW TAPPING 3*8 *(1) C.V.	4	0.26	
	25	93903-14280	SCREW TAPPING 4*10	SCREW TAPPING 4*10	2		
	21	94050-06080-G	NUT FLANGE 6MM	NUT FLANGE 6MM	2	0.49	

F11

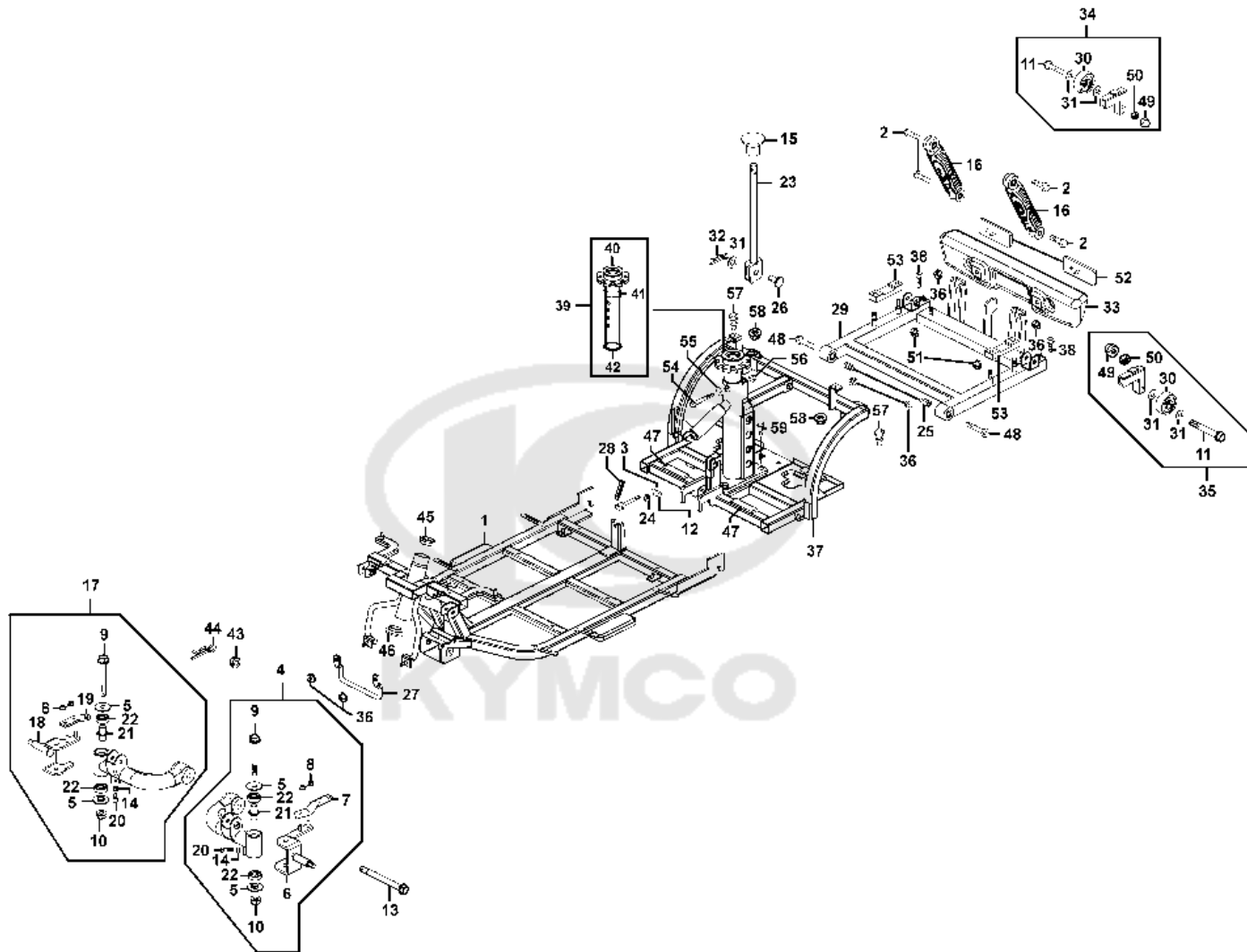
Frame Body



Sales mark	Ref no	Part no	Description	Reg description	Regd no	Ref Price	F11
	52	33741-KEBE-900	REFLEX REFLECTOR **KBE-9000	REFLEX REFLECTOR **KBE-9000	2	2.83	
	30	42800-LAC5-900	ANTI-TIP WHEEL	ANTI-TIP WHEEL	1	3.25	
	18	45100-LBE1-900	Obsolete	Obsolete	1		
	19	45101-LBE1-900	Obsolete	Obsolete	1		
	6	46100-LBE1-900	Obsolete	Obsolete	1		
	7	46101-LBE1-900	Obsolete	Obsolete	1		
	21	47403-LBE1-900	Obsolete	Obsolete	2		
	1	50110-LBE1-900	Obsolete	Obsolete	1		
	27	50118-LBE1-900	BAR FR BUMPER **(0) C.2005.09.21	BAR FR BUMPER **(0) C.2005.09.21	1	5.20	
	37	50120-LBE1-900	BODY COMP RR FRAME	BODY COMP RR FRAME	1		
	39	50135-LAC5-900	PIPE B SEAT SET **(8) C.2005.09.08	PIPE B SEAT SET **(8) C.2005.09.08	1	18.20	
	40	50136-LAC5-900	RUBBER SEAT SET	RUBBER SEAT SET	1		
	41	50137-LAC5-900	RUBBER A SEAT PIPE	RUBBER A SEAT PIPE	1		
	42	50138-LAC5-900	RUBBER B SEAT PIPE	RUBBER B SEAT PIPE	1		
	47	50222-LAC5-900	RUBBER BATTERY SET	RUBBER BATTERY SET	4	3.25	
	26	50234-LBE1-900	SHAFT BRAKE LEAVE **(0)	SHAFT BRAKE LEAVE **(0) C.2005.09.21	1	5.85	
	34	5023A-LBE1-900	PIPE R ASSY AUX WHEEL **(6)	PIPE R ASSY AUX WHEEL **(6)	1	9.10	
	35	5023B-LBE1-900	PIPE L ASSY AUX WHEEL **(0)	PIPE L ASSY AUX WHEEL **(0)	1	9.10	
	45	50301-LDB4-001	RACE UP STRG BALL	RACE UP STRG BALL	1	3.25	
	53	50302-LAC5-900	FAST DISMANTLE SEAT	FAST DISMANTLE SEAT	2		

F11

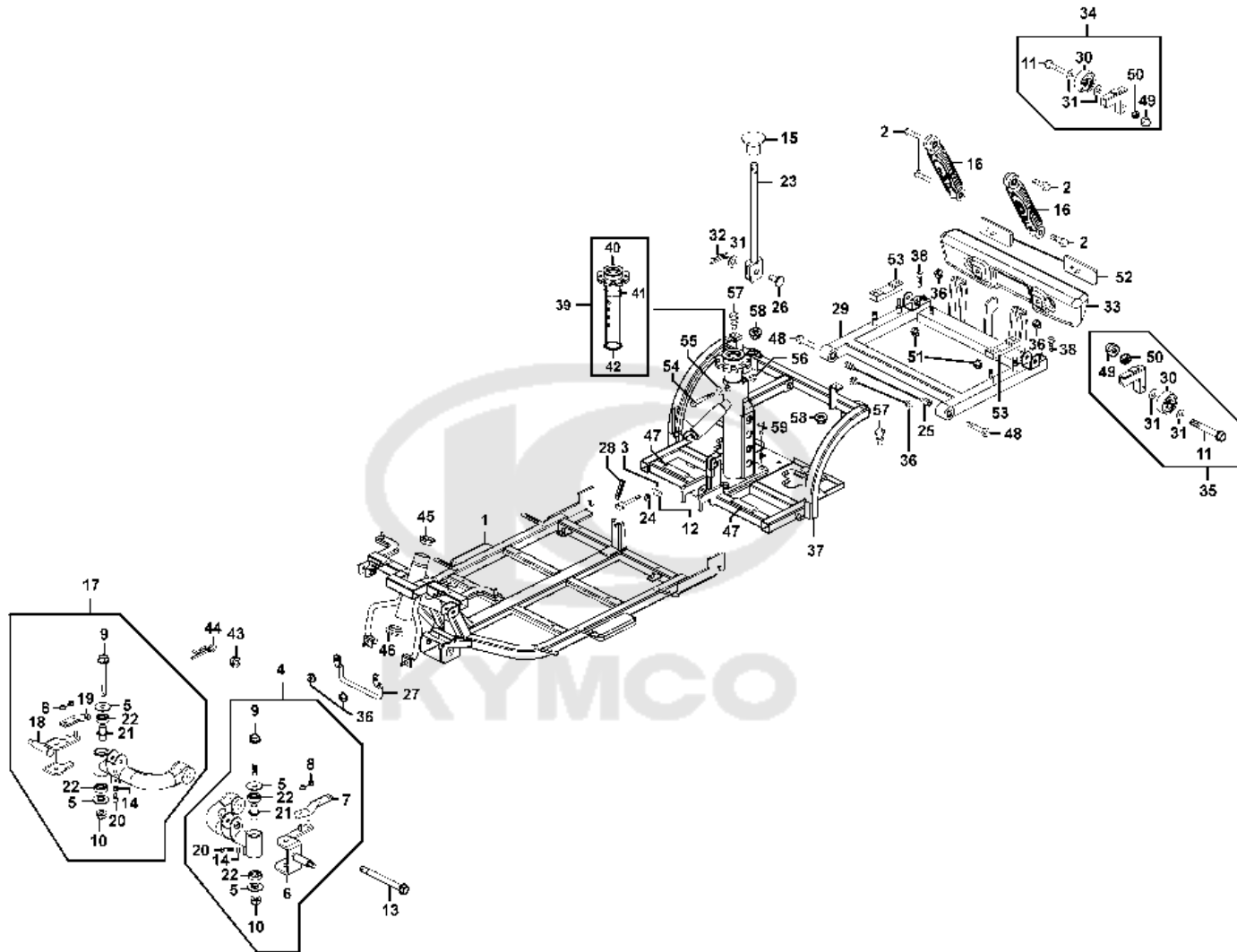
Frame Body



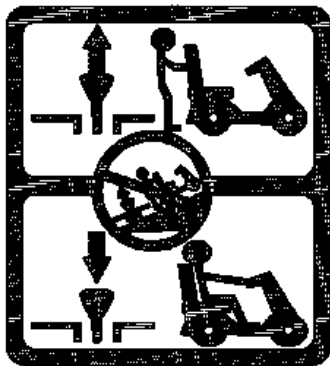
Sales mark	Ref no	Part no	Description	Reg description	Regd no	Ref Price	F11
	28	50302-LDB4-900	SHAFT SET LOCK	SHAFT SET LOCK	1	3.25	
	55	50303-LAC5-900	COLLAR SEAT SET PIPE	COLLAR SEAT SET PIPE	1	3.25	
	12	50304-LAC5-900	Obsolete	Obsolete	1		
	46	50305-LDB4-004	RACE UNDER STRG BALL	RACE UNDER STRG BALL	1	3.25	
	23	50308-LBE1-900	Obsolete	Obsolete	1		
	15	50309-LAC5-900	BRAKE LEAVE KNOB	BRAKE LEAVE KNOB	1	3.25	
	57	50310-LAC5-900	BOLT LOCK PIN	BOLT LOCK PIN	2	3.25	
	29	52110-LBE1-900	52110-LBE1-900	52110-LBE1-900	1	12.00	
	16	52400-LBE1-900	CUSHION ASSY RR **(0) C.2005.09.21	CUSHION ASSY RR **(0) C.2005.09.21	2	27.30	
	25	53101-LBE1-900	COLLAR REAR FORK **(0)	COLLAR REAR FORK **(0) C.2005.09.21	2	3.25	
	5	53402-LBB7-E00	WASHER	WASHER	4	3.25	
	13	53407-LBE1-900	Obsolete	Obsolete	1		
	17	5340A-LBE1-900	Obsolete	Obsolete	1		
	4	5350A-LBE1-900	Obsolete	Obsolete	1		
	24	83551-KED9-900	GROMMET COVER **(0) C.2005.09.21	GROMMET COVER **(0) C.2005.09.21	1	0.23	
	33	83751-LBE1-900	BUMPER RR **(0) C.2004.07.08	BUMPER RR **(0) C.2004.07.08	1	29.25	
	8	90301-KKAK-900	NUT U 6MM (Cr)	NUT U 6MM (Cr)	4	0.89	
	43	90304-GHE8-004	NUT U 10MM **GE8-0040 C.2005.03.01	NUT U 10MM **GE8-0040 C.2005.03.01	1	0.68	
	10	90304-GLW0-90A	NUT U FLANGE 10MM **(0)	NUT U FLANGE 10MM **(0) C.2005.12.14	3	0.68	
	20	92101-06020-0G	BOLT HEX 6X20	BOLT HEX 6X20	1	0.23	

F11

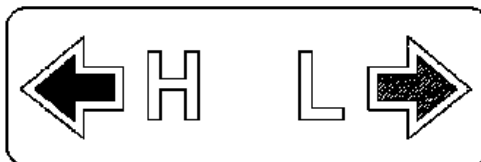
Frame Body



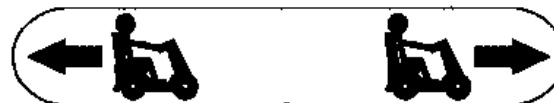
Sales mark	Ref no	Part no	Description	Reg description	Regd no	Ref Price	F11
	3	93500-04012-0HG	SCREW PAN 4*12	SCREW PAN 4*12	1	3.25	
	14	94001-06080-0SG	NUT HEX 6MM	NUT HEX 6MM	1	3.25	
	49	94021-06080-0S	NUT HEX CAP 6MM	NUT HEX CAP 6MM	2	0.25	
	51	94050-05080-G	NUT FLANGE 5MM(Cr3+) ALT 94050-	NUT FLANGE 5MM(Cr3+) ALT 94050-05080	2		
	58	94050-06080-G	NUT FLANGE 6MM	NUT FLANGE 6MM	2	0.49	
	56	94050-08060	NUT FLANGE 8MM	NUT FLANGE 8MM	1	0.49	
	36	94050-08080-G	NUT FLANGE 8MM (C)	NUT FLANGE 8MM (C)	4	0.49	
	31	94101-06800-G	WASHER PLAN 6MM	WASHER PLAN 6MM	2	0.12	
	44	94201-25250	PIN SPLIT 2.5*25	PIN SPLIT 2.5*25	1	0.85	
	32	94251-06400	PIN LOCK 6MM	PIN LOCK 6MM	2	0.14	
	59	95701-08020-08G	BOLT FLANGE 8*20	BOLT FLANGE 8*20	4	3.25	
	38	95701-08030-06	BOLT FLANGE 8*30 **07 C.2005.07.01	BOLT FLANGE 8*30 **07 C.2005.07.01	2	0.50	
	54	95701-08065-06	BOLT FLANGE 8*65	BOLT FLANGE 8*65	1	3.25	
	11	95801-06055-08G	BOLT FLANGE 6*55	BOLT FLANGE 6*55	1	3.25	
	2	95801-08035-06	BOLT FLANGE 8*35 **LLJ1-900	BOLT FLANGE 8*35 **LLJ1-900	6	0.36	
	48	95801-10050-08G	BOLT FLANGE 10*50 (C)	BOLT FLANGE 10*50 (C)	2	0.50	
	9	95801-10085-06	BOLT FLANGE 10*85	BOLT FLANGE 10*85	2	1.00	
	22	96130-60000-00	BEARING 6000Z	BEARING 6000Z	4	3.25	



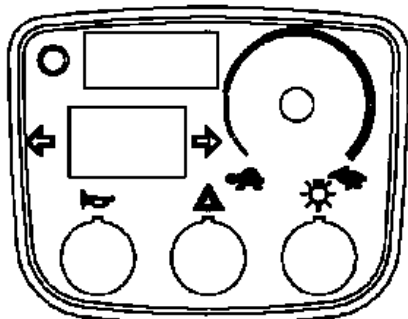
1



2



3



4



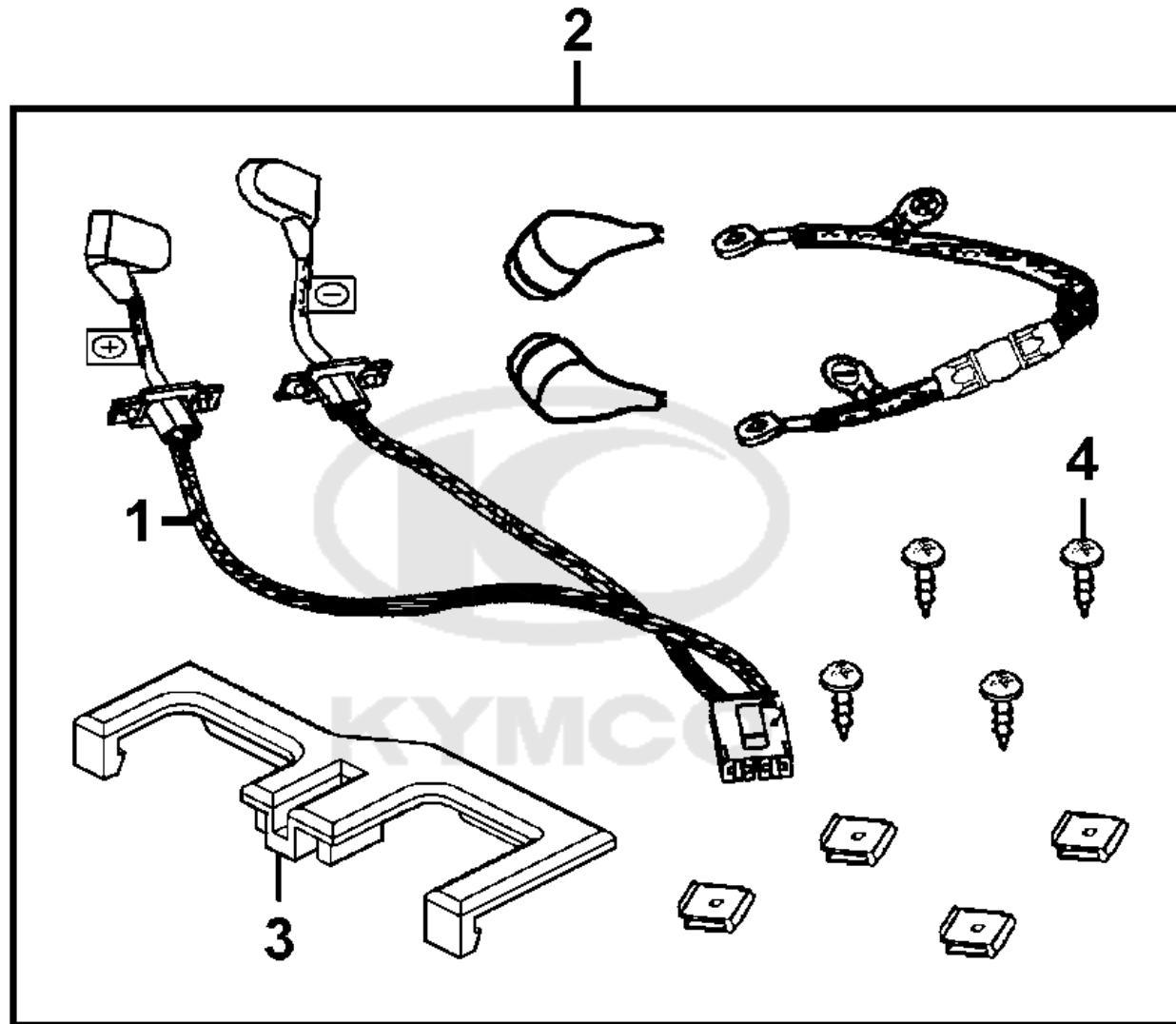
5



6

Sales mark	Ref no	Part no	Description	Reg description	Regd no	Ref Price	F12
**	6	86020-LAC5-E20	EMB DMA STRIDER	EMB DMA STRIDER	1		
**	4	86444-LAC5-900	EMB METER	EMB METER	1	6.50	
**	1	87501-LAC5-900	USE CAUTION SILVER	USE CAUTION SILVER	1	3.25	
**	3	87560-LAC5-900	MARK DRIVE CAUTION	MARK DRIVE CAUTION	1	3.25	
**	2	87562-LBE1-E00	LABLE SPEED SW	LABLE SPEED SW	1	3.25	





Sales mark	Ref no	Part no	Description	Reg description	Regd no	Ref Price	F13
------------	--------	---------	-------------	-----------------	---------	-----------	-----

1		32102-LBE1-E20	CORD SET POWER	CORD SET POWER	1		
2		3220A-LBE1-305	POWER CORD & BAT CONN CORD	POWER CORD & BAT CONN CORD	1		
3		36003-LBE1-E00	"LID,CONTROLLER"	"LID,CONTROLLER"	1	3.25	
4		93903-14280	SCREW TAPPING 4*10	SCREW TAPPING 4*10	4		



PART NO. INDEX

PART NO.	VERSION	PAGE	PART NO.	VERSION	PAGE	PART NO.	VERSION	PAGE
11000			32000			33601-LAC5-900	3	F09
1110A-LBE1-E21	4	E01	32100-LBE1-900	5	F10	33604-LAC5-900	2	F09
11302-LAC5-900	0	E01	32100-LBE1-920	0	F10	33650-LAC5-900	7	F09
13000			32101-LBE1-900	4	F10	33651-LAC5-900	3	F09
			32101-LBE1-920	1	F10	33654-LAC5-900	2	F09
			32101-LBE1-930	3	F10	33710-LAC5-900	3	F10
13331-LAC5-900	0	E01	32102-LBE1-E20	1	F10	33741-GFY6-C30	1	F08
31000			32102-LBE1-E20	1	F13	33741-KEBE-900	3	F11
			32102-LBE1-E23	1	F10	34000		
			32103-LBE1-E20	1	F07	34010-LAC5-900	7	F10
31280-LAC5-E20	2	F10	3210B-LBE1-E20	1	F10	34903-LAC5-900	1	F09
31300-LBE1-810	2	E01	3210B-LBE1-E21	1	F10	34903-LBE1-900	0	F09
31300-LBE1-950	1	E01	3220A-LBE1-305	0	F13	34905-LAC5-900	1	F09
31340-LBE1-900	0	E01	32620-LAC5-900	5	F10	34905-LBE1-900	0	F09
31345-LBE1-305	0	E01	33000			35000		
31347-LBE1-305	0	E01				35010-LAC5-E00	2	F10
31350-LBE1-810	0	E01	33400-LBE1-900	3	F09	35110-LAC5-900	5	F01
31500-LBE1-900	1	F07	33401-LBE1-900	0	F09	35115-LAC5-900	1	F10
31510-LBE1-900	3	F07	33404-LBE1-900	0	F09	35150-LAC5-900	4	F01
31520-LBE1-900	2	F07	33450-LBE1-900	3	F09	35180-LAC5-900	4	F01
31800-ABA5-E20	1	F10	33451-LBE1-900	0	F09	35190-LAC5-900	7	F01
			33454-LBE1-900	0	F09	35200-LAC5-900	3	F01
			33600-LAC5-900	7	F09			

PART NO. INDEX

PART NO.	VERSION	PAGE	PART NO.	VERSION	PAGE	PART NO.	VERSION	PAGE	
35330-LBE1-900	1	F10	42705-LAC5-900	5	F05	45000			
36000			42710-LBE1-900	3	F05		45100-LBE1-900	5	F11
			42800-LAC5-900	6	F11		45101-LBE1-900	2	F11
36000-LBE1-E20	1	F10	43000			4512A-LBE1-900	1	F05	
36000-LBE1-E23	0	F10				45141-LAC5-900	2	F05	
36003-LBE1-E00	1	F10	43100-LBE1-910	0	F05	45450-LBE1-900	7	F01	
36003-LBE1-E00	1	F13	43101-LBE1-900	3	F05				
36100-AAH6-E20	4	F10	43102-LBE1-900	1	F05	46000			
36101-AAH6-E20	4	F10	43410-LBE1-900	2	F05				
36108-LBE1-900	2	F10	43413-LBE1-900	2	F05				
36109-LBE1-900	2	F10				46100-LBE1-900	5	F11	
36110-LAC5-900	3	F10	44000			46101-LBE1-900	2	F11	
36120-LAC5-900	2	F10							
37000			44315-LAC5-900	3	F04	47000			
			44600-LBE1-900	5	F04				
			44620-LBE1-900	2	F04	47403-LBE1-900	3	F11	
			44650-LBE1-900	4	F04				
37806-LAC5-900	4	F10	44701-LBE1-900	2	F04	50000			
42000			44701-LBE1-900	2	F05				
			44701-LBE1-900	2	F05	50110-LBE1-900	6	F11	
			44702-LBE1-900	3	F04	50118-LBE1-900	3	F11	
			44702-LBE1-900	3	F05	50120-LBE1-900	4	F11	
42315-LAC5-900	3	F05	44705-LAC5-900	7	F04	50135-LAC5-900	9	F11	
42500-LBE1-900	6	F05	44710-LBE1-900	2	F04	50136-LAC5-900	4	F11	
4251A-LBE1-900	4	F05				50137-LAC5-900	1	F11	
42600-LBE1-900	5	F05							
4261A-LBE1-900	3	F05							

PART NO. INDEX

PART NO.	VERSION	PAGE	PART NO.	VERSION	PAGE	PART NO.	VERSION	PAGE
50138-LAC5-900	0	F11				53212-LDB4-004	1	F03
50150-LAC5-900	4	F01	52000			53402-LBB7-E00	5	F11
50160-LAC5-900	7	F01				53406-LAC5-900	2	F01
50222-LAC5-900	3	F11	52110-LBE1-900	6	F11	53407-LBE1-900	2	F11
50234-LBE1-900	3	F11	52400-LBE1-900	3	F11	5340A-LBE1-900	12	F11
5023A-LBE1-900	8	F11				5350A-LBE1-900	12	F11
5023B-LBE1-900	5	F11	53000			53700-LBE1-900	4	F03
50301-LDB4-001	1	F11				53701-LBE1-900	5	F03
50302-LAC5-900	2	F11	53100-LAC5-900	11	F01	53702-LAC5-900	6	F03
50302-LDB4-900	2	F11	53100-LAC5-940	1	F01	53703-LAC5-900	6	F03
50303-LAC5-900	4	F11	53101-LBE1-900	2	F11	53800-LBE1-900	4	F03
50304-LAC5-900	1	F11	53104-LAC5-900	9	F01	53801-LBE1-900	5	F03
50305-LDB4-004	1	F11	5310A-LAC5-900	3	F01			
50306-1F96-001	0	F03	5310B-LAC5-900	1	F01	64000		
50308-LBE1-900	4	F11	53125-LAC5-900	6	F01			
50309-LAC5-900	3	F11	53166-LAC5-911	1	F01	64302-LBE1-900	1	F02
50310-LAC5-900	4	F11	5317B-LAC5-900	2	F01	64310-LBE1-900	5	F02
50325-LBE1-900	2	F07	53190-LAC5-90A	9	F01	64311-LBB7-E00	2	F02
50350-LBE1-900	3	E01	53191-LAC5-900	2	F01	64312-LBE1-900	2	F02
50350-LDB4-900	2	E01	53196-LAC5-900	4	F01	64316-LBE1-900	1	F02
			53200-LBE1-900	1	F03	64320-LBE1-900	1	F02
51000			53205-LAC5-900	5	F01	64330-LBE1-900	1	F02
			53206-LBE1-900	1	F01			
51400-LBE1-900	4	F03	53207-LAC5-900	8	F01	77000		
			53209-LAC5-900	8	F01			
			53211-GFY6-940	1	F03	77100-LAC5-900	3	F06

PART NO. INDEX

PART NO.	VERSION	PAGE	PART NO.	VERSION	PAGE	PART NO.	VERSION	PAGE
77200-LAC5-700	8	F06	87560-LAC5-900	4	F12	90309-GLW0-90A	1	F03
77223-LAC5-305	2	F06	87562-LBE1-E00	3	F12			
77300-LAC5-900	3	F06				92000		
80000			88000			92101-06020-0G	0	F11
			88120-LAC5-910	4	F01			
80101-LBE1-900	7	F10	88130-LAC5-900	2	F01	93000		
83000			90000			93500-04012-0HG	0	F10
						93500-04012-0HG	0	F11
83500-LBE1-900	2	F08	90023-LAC5-001	1	F02	93600-02008-0A	0	F10
83551-KED9-900	2	F11	90105-LAC5-900	4	F04	93891-04012-06	0	E01
83551-KKAK-900	0	F08	90301-4C73-004	0	F01	93891-05025-06	0	F10
83600-LBE1-900	1	F08	90301-KKAK-900	1	F11	93901-32120	1	F10
83751-LBE1-900	2	F11	90301-LAC5-001	1	F02	93901-32310	0	F09
			90301-LAC5-671	1	F02	93901-32320	0	F09
86000			90301-LAC5-671	1	F08	93903-14280	0	F10
			90302-GFY6-911	1	F01	93903-14280	0	F13
86020-LAC5-E20	1	F12	90302-KEC8-910	1	F01	93903-34380-G	0	F01
86102-LAC5-E21	1	F12	90302-KEC8-910	1	F08	93903-34380-G	0	F02
86444-LAC5-900	9	F12	90302-LAC5-004	1	F01	93903-34380-G	0	F08
			90304-GHE8-004	0	F04	93903-34380-G	0	F09
87000			90304-GHE8-004	0	F11			
			90304-GLW0-90A	1	F11	94000		
87501-LAC5-900	7	F12	90306-GLW0-90A	1	F05			
87508-LBE1-E00	3	F10	90309-GLW0-90A	1	F01	94001-06080-0S	0	F01

PART NO. INDEX

PART NO.	VERSION	PAGE	PART NO.	VERSION	PAGE	PART NO.	VERSION	PAGE
94001-06080-0SG	0	F05						
94001-06080-0SG	0	F11	95000					
94001-08080-0S	0	F03						
94001-LAC5-900	2	F03	95701-06012-06	1	F05			
94021-06080-0S	0	F11	95701-08020-08G	1	F11			
94021-08020-0S	0	F04	95701-08030-06	0	F11			
94021-08020-0S	0	F05	95701-08065-06	0	F11			
94050-05080-G	1	F11	95801-06055-08G	0	F11			
94050-06080-G	1	F08	95801-08035-06	1	F01			
94050-06080-G	1	F10	95801-08035-06	1	F03			
94050-06080-G	1	F11	95801-08035-06	1	F11			
94050-08060	0	F11	95801-08045-08G	0	F01			
94050-08080-G	1	E01	95801-10050-08G	0	F11			
94050-08080-G	1	F01	95801-10085-06	1	F11			
94050-08080-G	1	F11						
94101-06800-G	1	F11	96000					
94111-08800	0	F03						
94111-08800	0	F04	96130-60000-00	0	F11			
94111-08800	0	F05	96130-60022-00	1	F05			
94201-25250	0	F11	96130-62020-00	0	F04			
94251-06400	0	F11	96211-05000	26	F03			
94510-12000	0	F05	96600-06060-08G	1	E01			
94510-19000	0	E01						