

PARTS CATALOGUE



MOBILITY SCOOTER

EV10FB(UK)

Maxi 3



Release Date : 1899/12/31
Print Date : 2019/11/04

ABOUT THIS PARTS LIST

- This parts list is compiled all service parts for model EV10FB(UK).
- Any difference between color chart and motorcycle will be revised according to motorcycle.
- The Mark:
 1. Marking "***" must add color code in the end before ordering parts.
 2. Marking "#" are parts with modification, Please find the details from e-Parts system.
- When modification or additions to this parts list are made a revised edition at an appropriate time.



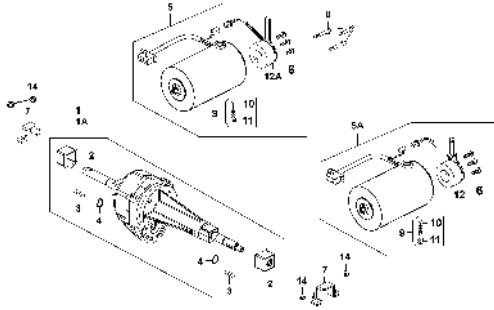
CONTENTS

● ABOUT THIS PARTS LIST	1
● COLOR CHART OF EV10FB(UK)	3
● CONTENTS-ENGINE GROUP	4
● CONTENTS-FRAME GROUP	5
● ENGINE PARTS LIST	7
● FRAME PARTS LIST	9
● PART NO. INDEX	41

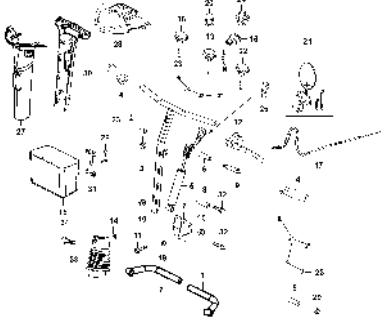
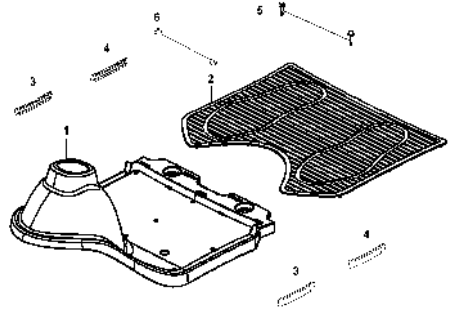
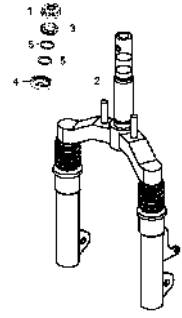
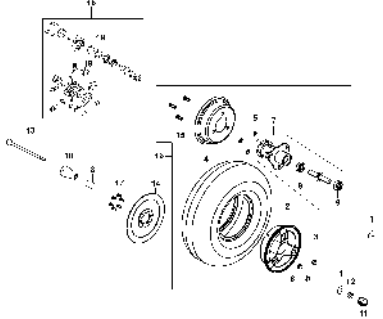
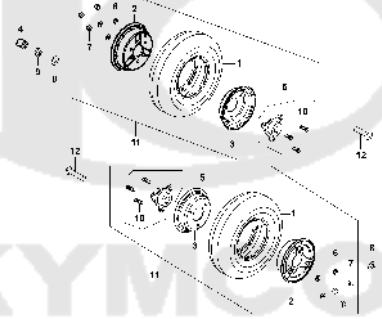
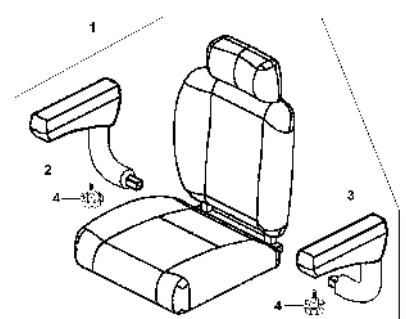
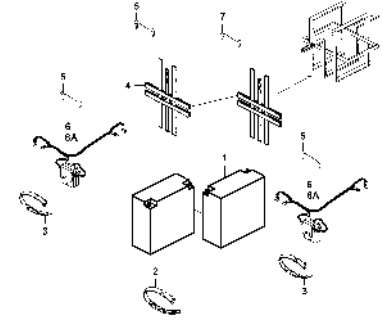
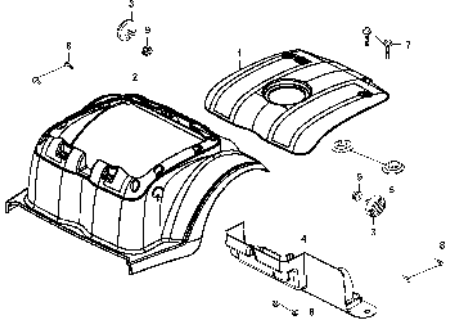
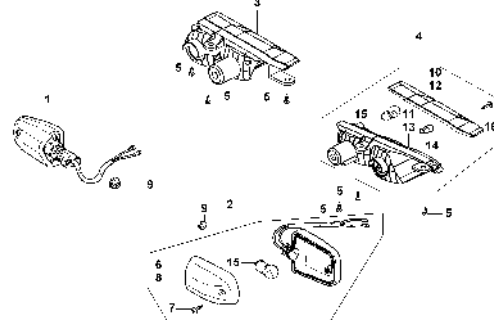
NO	MODEL			COLOR CHART OF EV10FB(UK)			
	PHOTO NO			NO. 1	NO. 2	NO. 3	
	BASIC COLOR			Deep Blue Metallic	Black Blue	Dark Red	
	CODE			Deep Blue Metallic	Black Blue	Dark Red	
	PARTS NAME	PARTS NO.	VERSION	PB183MA	PB184PA	RR132CA	
1	COVER HANDLE FR	53205-LBB6-900	3	BHP	BJP	R7P	
2	COVER HANDLE RR	53206-LBE1-900	1				
3	METER COVER	53207-LAC5-900	8				
4	BODY COVER LOW	83600-LBE1-900	1				
5	COVER BODY UP/Silver	83500-LBE1-900	2	N8P			
6	SEAT ASSY	77200-LAC5-700	8	T01			
7	EMB DMA STRIDER	86020-LAC5-E20	1				
8	EMB DMA-LOGO 15MM	86102-LAC5-E20	1				
9	EMB DAYS LOGO 35MM	86102-LAC5-E21	1				
10	EMB METER	86444-LAC5-900	9				
11	USE CAUTION	87501-LAC5-900	7				
12	LABEL BATTERY	87508-LBE1-E00	3				
13	MAR DRIVE CAUTION	87560-LAC5-900	4				
14	LABLE SPEED SW	87562-LBE1-E00	3				
15	PANEL FLOOR ASSY	64310-LBE2-900	2		BJP	R7P	
DATE OF STARTING-SALES							
DATE OF END-SALES							

CONTENTS - ENGINE GROUP

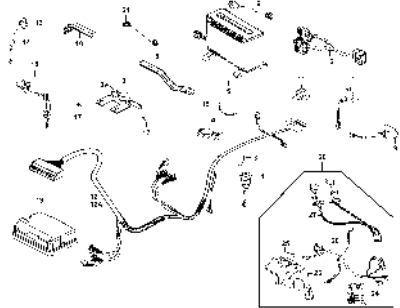
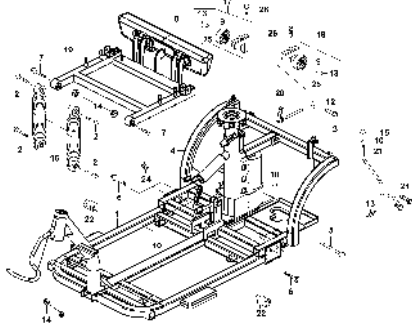
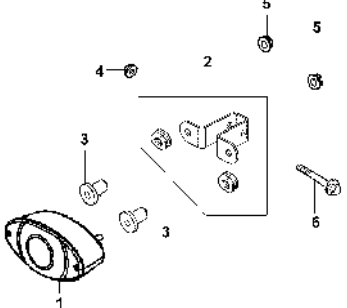

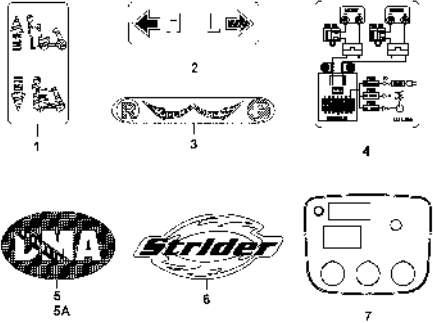
E01 MOTOR ASSY



CONTENTS - FRAME GROUP

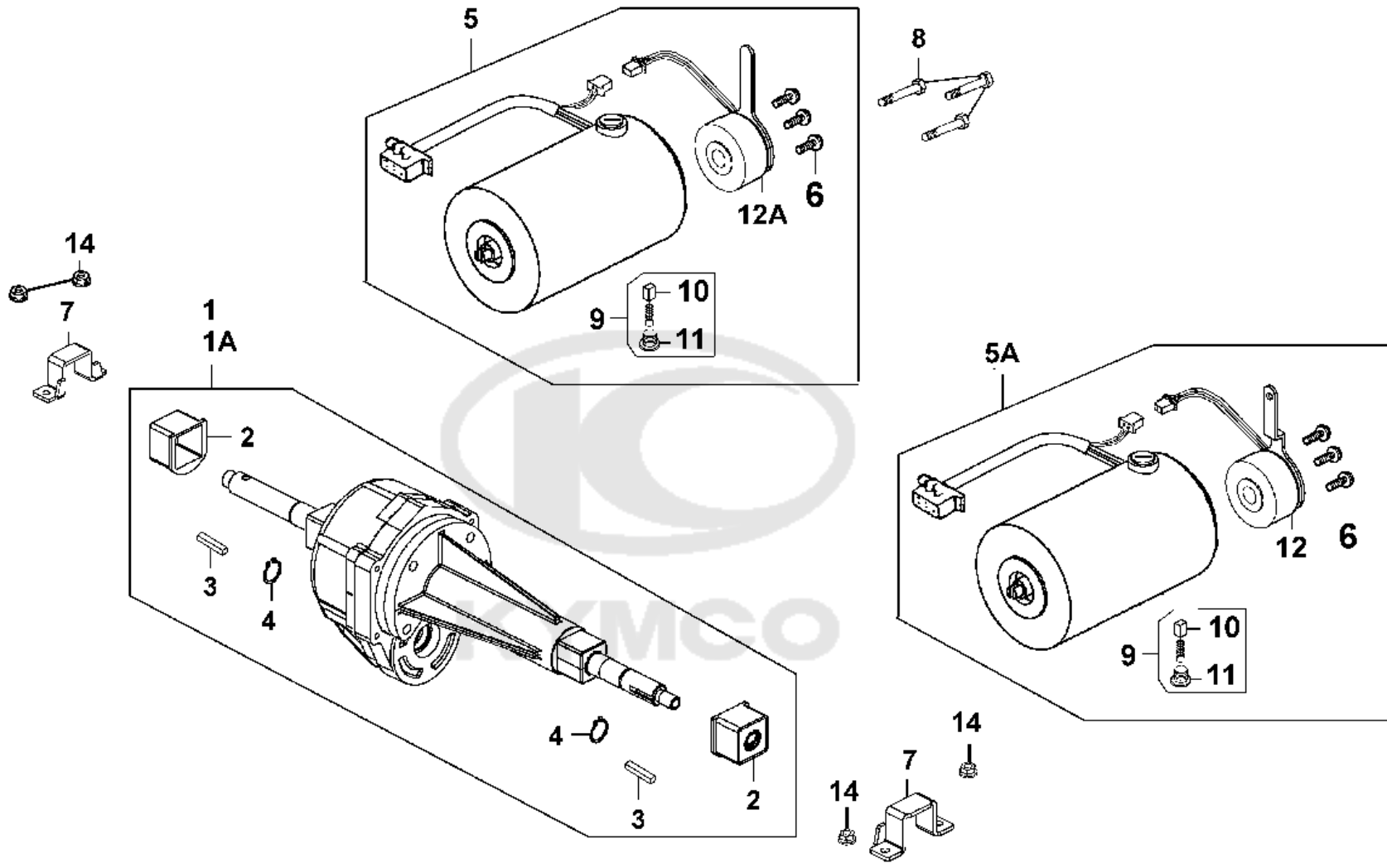
<p>F01 Handle Steering</p>	<p>F02 Floor Panel</p>	<p>F03 Stem Steering</p>
		
<p>F04 Front Wheel</p>	<p>F05 Rear Wheel</p>	<p>F06 Seat</p>
		
<p>F07 Battery</p>	<p>F08 Body Cover</p>	<p>F09 Winker</p>
		

CONTENTS - FRAME GROUP

F10 Harness Wire	F11 Frame Body	F12 Head Light
		
F13 Caution Label		
		

E01

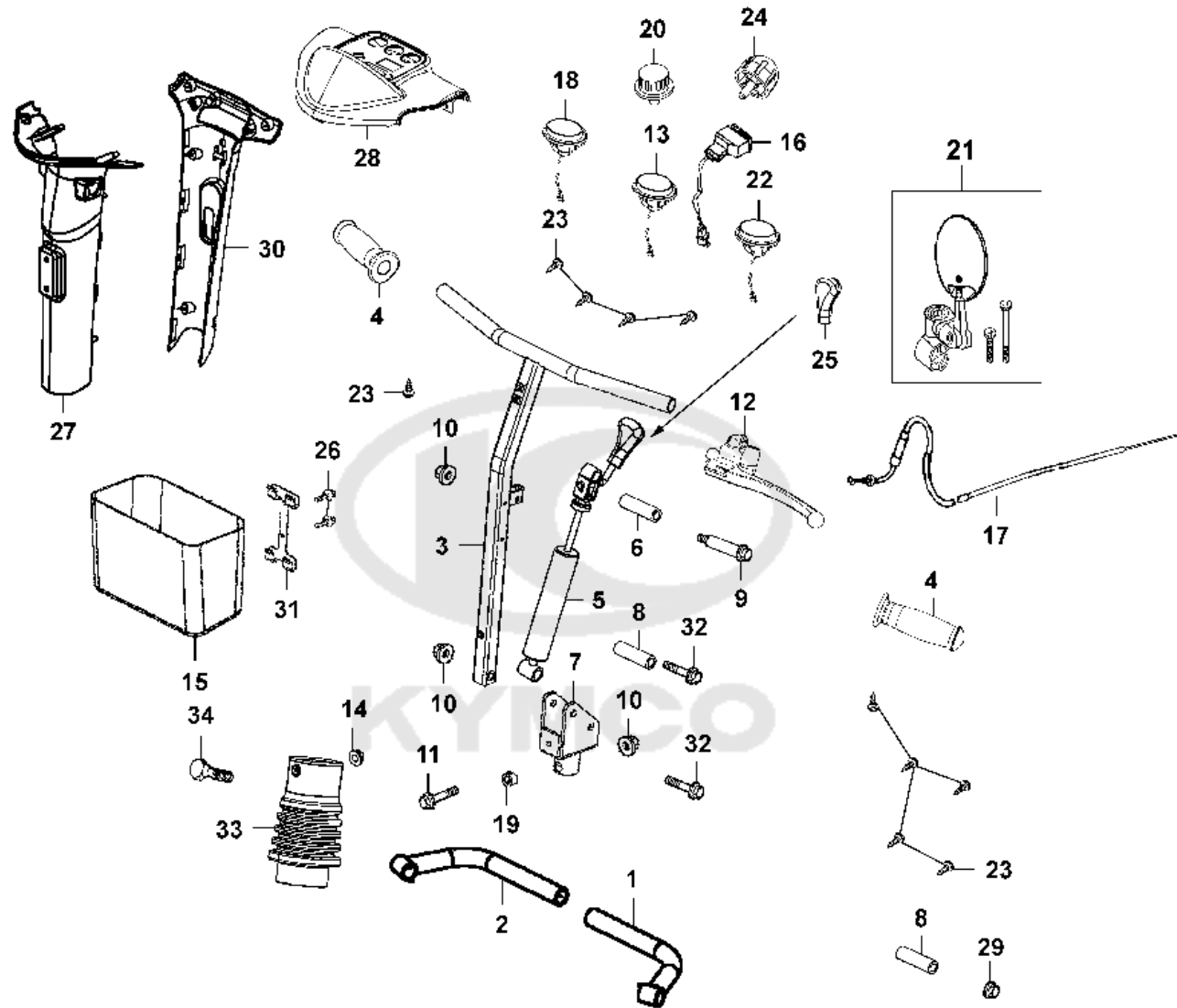
MOTOR ASSY



Sales mark	Ref no	Part no	Description	Reg description	Regd no	Ref Price	E01
1		1110A-LBE1-E20	Obsolete	Obsolete	1		
1A		1110A-LBE1-E21	Obsolete	Obsolete	1		
2		11302-LAC5-900	RUBBER	RUBBER	2	6.50	
3		13331-LAC5-900	KEY 4.8*4.8*30	KEY 4.8*4.8*30	2	3.25	
5		31300-LBE1-800	MOTOR ASSY	MOTOR ASSY	1		
5A		31300-LBE1-810	Obsolete	Obsolete	1		
5A		31300-LBE1-950	MOTOR ASSY	MOTOR ASSY	1		
9		31340-LBE1-900	Obsolete	Obsolete	1		
10		31345-LBE1-305	Obsolete	Obsolete	1		
11		31347-LBE1-305	Obsolete	Obsolete	1		
12		31350-LBE1-810	Obsolete	Obsolete	1		
12A		31350-LBE1-900	Obsolete	Obsolete	1		
7		50350-LDB4-900	CONNECTOR MISSION	CONNECTOR MISSION	1	5.20	
6		93891-04012-06	SCREW WASHER 4*12	SCREW WASHER 4*12	3	0.13	
14		94050-08080-G	NUT FLANGE 8MM (C)	NUT FLANGE 8MM (C)	4	0.49	
4		94510-19000	CIRCLIP EX 1.9	CIRCLIP EX 1.9	2	2.12	
8		96600-06060-07	SOCKET BOLT 6*60	SOCKET BOLT 6*60	3	3.25	

F01

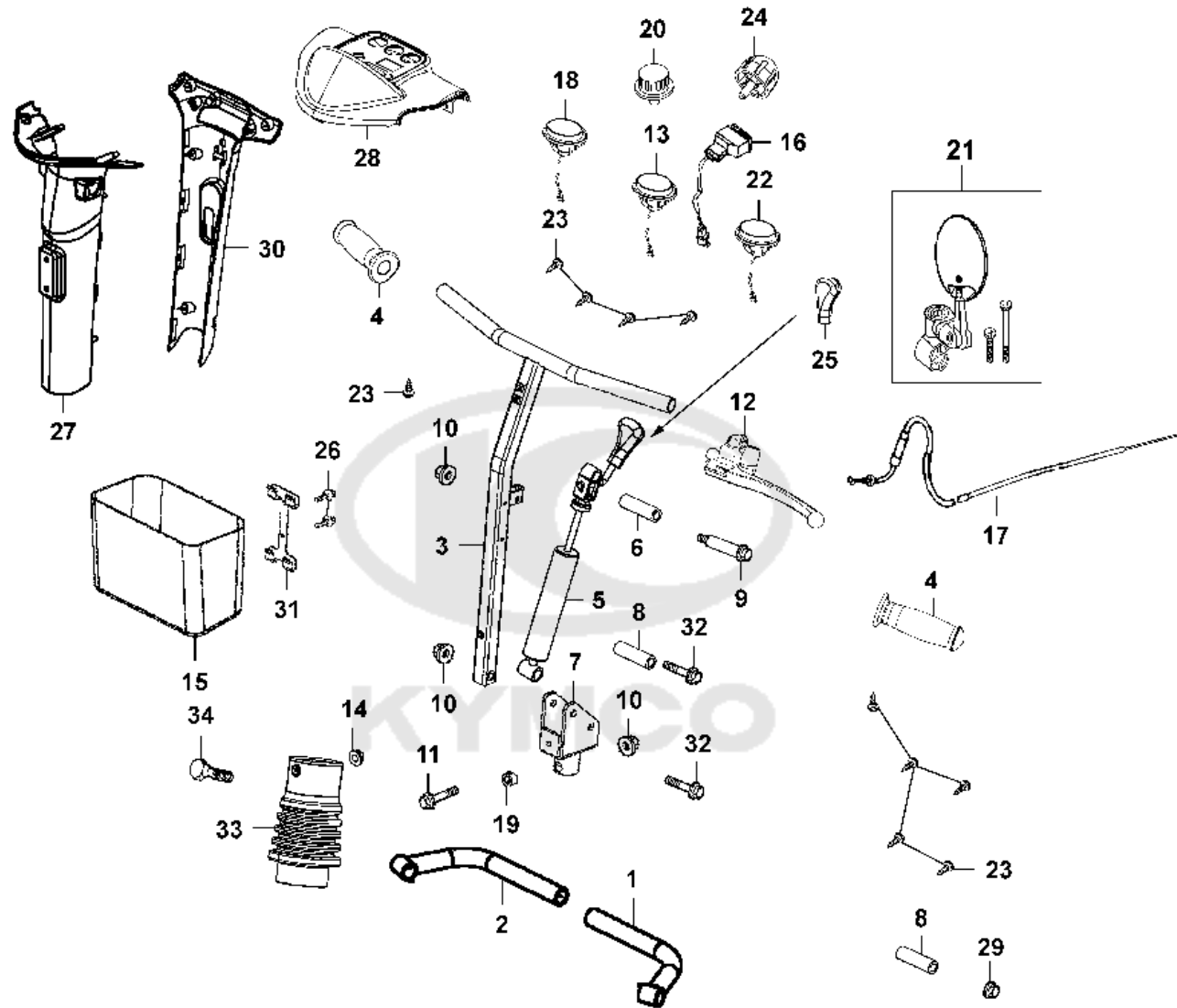
Handle Steering



Sales mark	Ref no	Part no	Description	Reg description	Regd no	Ref Price	F01
	20	35110-LAC5-900	SPEED KNOB ALT 35110-LHD7-900	SPEED KNOB ALT 35110-LHD7-900	1	5.20	
	18	35150-LAC5-900	SW UNIT LIGHTING ALT 3150-LAC5-	SW UNIT LIGHTING ALT 3150-LAC5-900-R	1	6.50	
	22	35180-LAC5-900	SW UNIT HORN **(2) C.2007.02.05	SW UNIT HORN **(2) C.2007.02.05	1	6.50	
	13	35190-LAC5-900	SW UNIT HAZARD	SW UNIT HAZARD	1	6.50	
	16	35200-LAC5-900	SW UNIT WINKER ALT 35200-LAC5-900	SW UNIT WINKER ALT 35200-LAC5-900-R	1	6.50	
	17	45450-LBE2-900	Obsolete	Obsolete	1		
	15	50150-LAC5-900	BASKET ALT 50150-LAC5-910	BASKET ALT 50150-LAC5-910	1	18.20	
	31	50160-LAC5-900	STAY BASKET SET	STAY BASKET SET	1	5.20	
	3	53100-LAC5-900	HANDLE COMP STRG	HANDLE COMP STRG	1	22.10	
	8	53101-LAC5-900	Obsolete	Obsolete	2		
	7	53104-LBB6-900	Obsolete	Obsolete	1		
	1	5310A-LAC5-900	DELTA HANDLE	DELTA HANDLE	1	10.08	
	2	5310B-LAC5-900	Obsolete	Obsolete	1		
	19	53125-LAC5-900	COLLAR HANDLE SET	COLLAR HANDLE SET	1	3.25	
	4	53166-LAE9-E00	HAND GRIP	HAND GRIP	2	3.25	
	12	5317B-LAC5-900	BRACKET ASSY HANDLE LH	BRACKET ASSY HANDLE LH	1	9.75	
	5	53190-LAC5-90A	ADJUSTER HANDLE/ Gas strut	ADJUSTER HANDLE/ Gas strut	1	29.25	
	6	53191-LAC5-900	COLLAR ADJUSTER	COLLAR ADJUSTER	1	1.33	
	25	53196-LAC5-900	BLACK GRIP	BLACK GRIP	1	3.21	
**	27	53205-LBB6-900	COVER HANDLE FR **(0) C.2003.07.10	COVER HANDLE FR **(0) C.2003.07.10	1		

F01

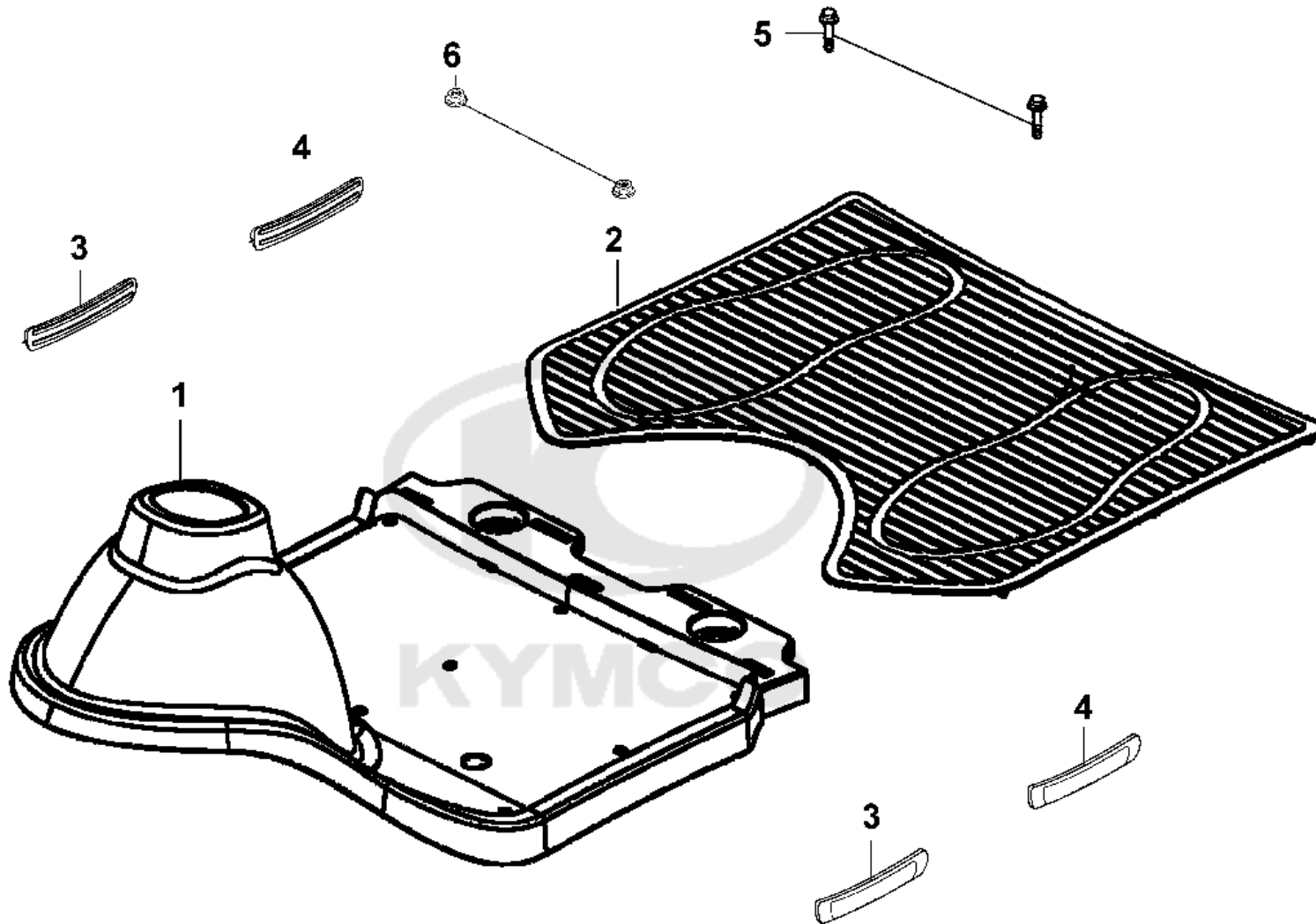
Handle Steering



Sales mark	Ref no	Part no	Description	Reg description	Regd no	Ref Price	F01
**	30	53206-LBE1-900	COVER HANDLE RR **(0) C.2006.01.25	COVER HANDLE RR **(0) C.2006.01.25	1	18.20	
**	28	53207-LAC5-900	METER COVER **(5) C.2006.01.25	METER COVER **(5) C.2006.01.25	1	10.40	
	33	53209-LAC5-800	COVER DUST **(0) N.C.2004.06.07	COVER DUST **(0) N.C.2004.06.07	1	11.70	
	9	53406-LAC5-900	BOLT HANDLE SET	BOLT HANDLE SET	1	3.25	
	21	88120-LAC5-910	MIRROR ASSY BACK	MIRROR ASSY BACK	1	16.25	
	24	88130-LAC5-900	CAP HANDLE PIPE	CAP HANDLE PIPE	1	5.00	
	26	90302-GFY6-911	BOLT-WASH 5*12	BOLT-WASH 5*12	2	3.25	
	34	90302-KEC8-910	BOLT PAN 5*9	BOLT PAN 5*9	2	3.25	
	14	90309-GLW0-90A	NUT U FLANGE 8MM **(0) C.2009.03.05	NUT U FLANGE 8MM **(0) C.2009.03.05	1	0.85	
	23	93903-34380-G	SCREW TAPPING 4x12	SCREW TAPPING 4x12	1	3.25	
	29	94001-06080-0S	NUT HEX 6MM	NUT HEX 6MM	1	0.23	
	10	94050-08080-G	NUT FLANGE 8MM (C)	NUT FLANGE 8MM (C)	3	0.49	
	11	95801-08035-06	BOLT FLANGE 8*35 **LLJ1-900	BOLT FLANGE 8*35 **LLJ1-900	1	0.36	
	32	95801-08045-08G	BOLT FLANGE 8*45	BOLT FLANGE 8*45	1	0.49	

F02

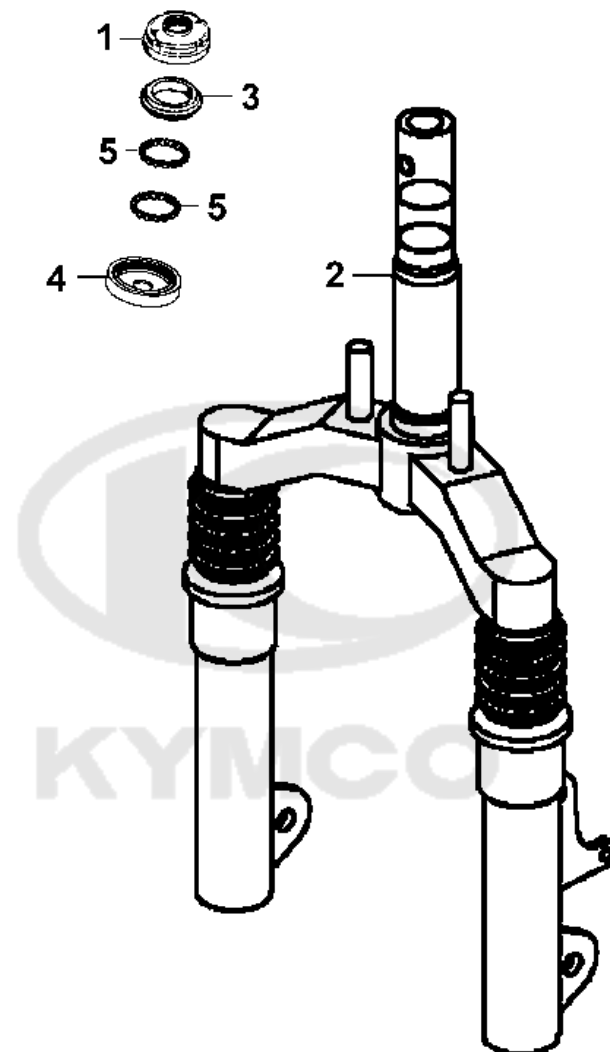
Floor Panel



Sales mark	Ref no	Part no	Description	Reg description	Regd no	Ref Price	F02
------------	--------	---------	-------------	-----------------	---------	-----------	-----

3		64311-LAE9-E00	Obsolete	Obsolete	2		
4		64312-LBE1-900	MOLD B **(0) C.2005.04.01	MOLD B **(0) C.2005.04.01	2	3.25	
2		64320-LBE2-900	Obsolete	Obsolete	1		
5		90023-LAC5-001	BOLT SEAT LOCK 6X13.5	BOLT SEAT LOCK 6X13.5	2	3.25	
6		90301-LAC5-671	NUT FLANGE 6MM	NUT FLANGE 6MM	6	3.25	





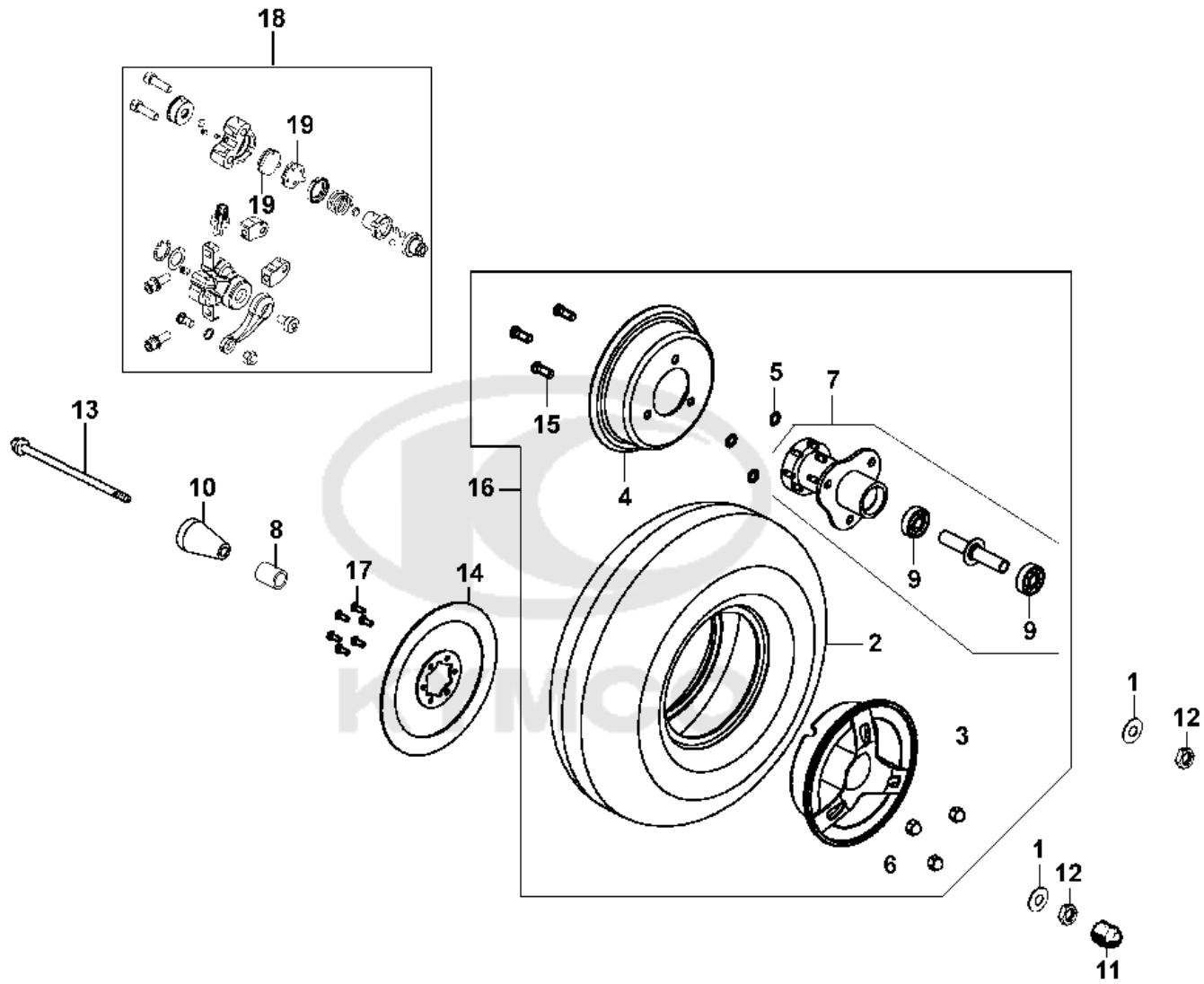
Sales mark	Ref no	Part no	Description	Reg description	Regd no	Ref Price	F03
------------	--------	---------	-------------	-----------------	---------	-----------	------------

1		50306-1F96-001	NUT STRG STEM LOCK	NUT STRG STEM LOCK	1	1.18	
2		5320B-LBE2-900	Obsolete	Obsolete	1		
3		53211-GFY6-940	RACE STRG TOP CONE **GY6-9400	RACE STRG TOP CONE **GY6-9400	1	1.87	
4		53212-LDB4-004	ORDER 53212-GHC8-004	ORDER 53212-GHC8-004	1	3.25	
5		96211-05000	BALL BEARING PACK OF 100	BALL BEARING PACK OF 100	55	3.25	



F04

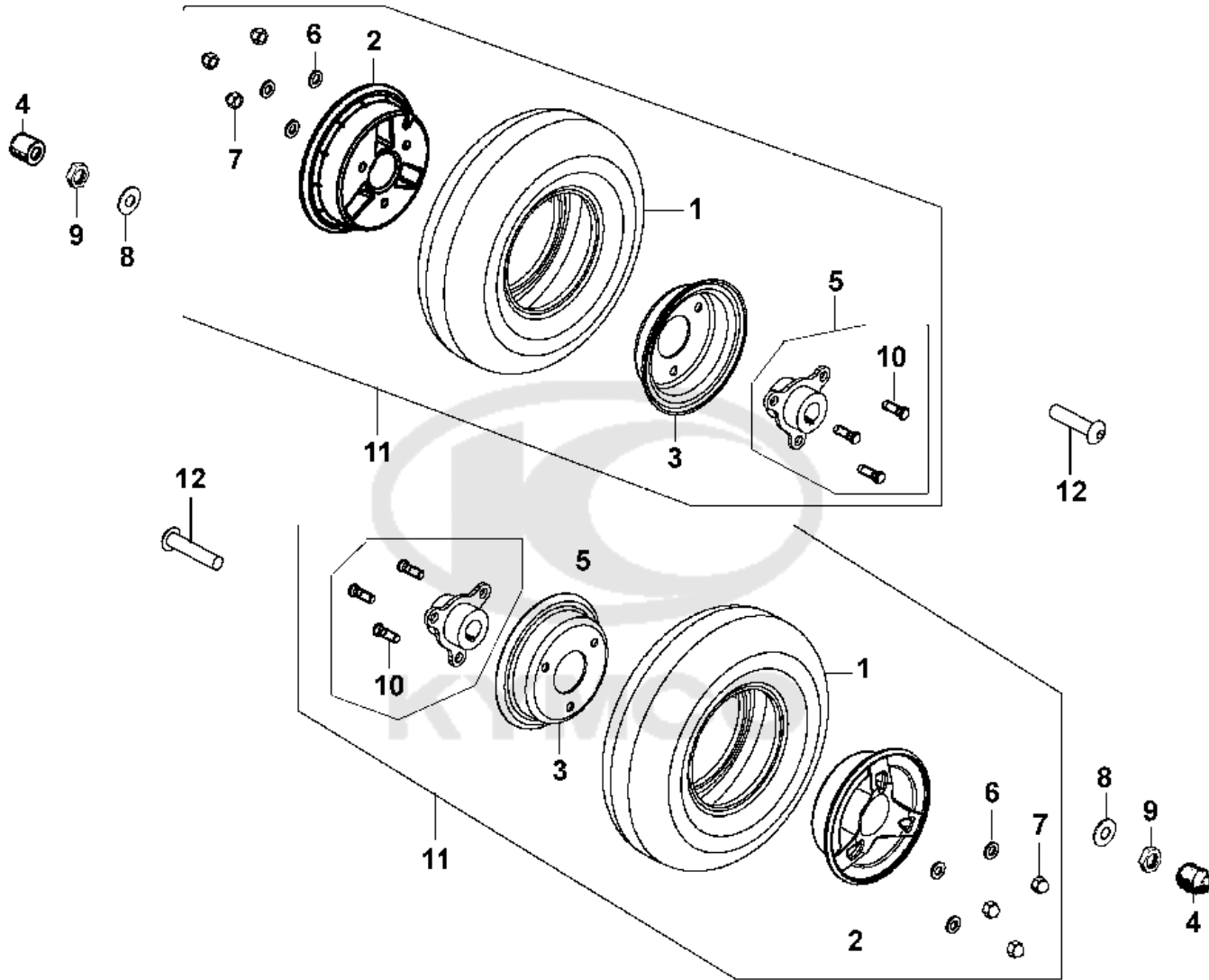
Front Wheel



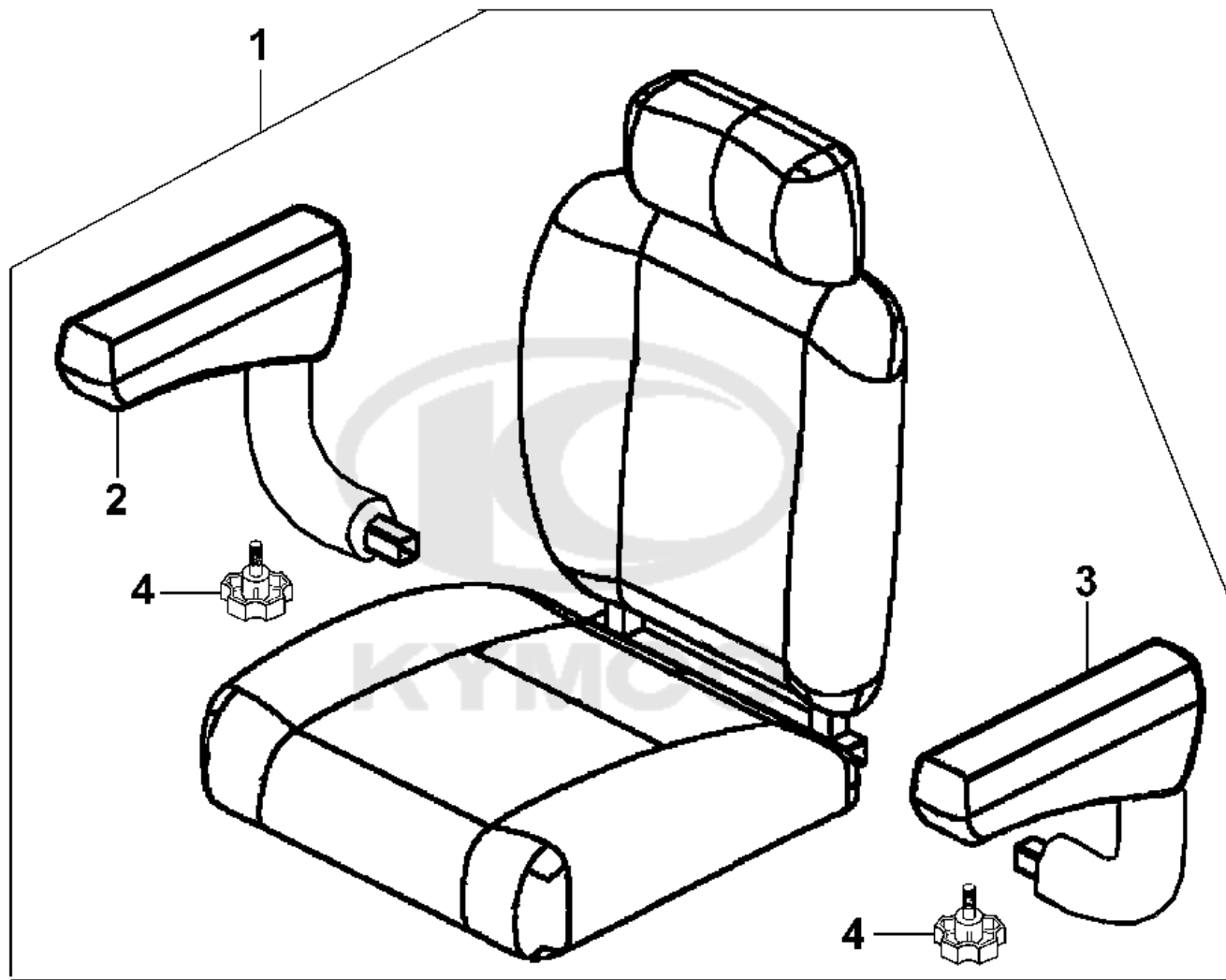
Sales mark	Ref no	Part no	Description	Reg description	Regd no	Ref Price	F04
	13	44301-LKC6-900	Obsolete	Obsolete	1		
	10	44311-LBE2-900	Obsolete	Obsolete	1		
	8	44312-LBE2-900	Obsolete	Obsolete	1		
	11	44315-LAC5-900	CAP FR AXLE **(0) C.2003.10.22	CAP FR AXLE **(0) C.2003.10.22	1	3.25	
	16	44600-LBE2-900	Obsolete	Obsolete	1		
	7	44650-LBE2-900	Obsolete	Obsolete	1		
	3	44701-LBE1-900	RIM CAST FR **(0) C.2005.09.21	RIM CAST FR **(0) C.2005.09.21	1	13.00	
	4	44702-LBE1-900	RIM COMP FR **(0) C.2005.09.21	RIM COMP FR **(0) C.2005.09.21	1	12.35	
	1	44705-LAC5-900	WASHER 12MM	WASHER 12MM	2	3.25	
	2	44710-LBE1-900	TIRE ASSY FR	TIRE ASSY FR	1	25.00	
	18	45100-LBE2-900	Obsolete	Obsolete	1		
	19	45105-LBE2-900	PAD COMP	PAD COMP	2		
	14	45351-LBE2-900	DISK FR BRAKE **(0) C.2006.01.12	DISK FR BRAKE **(0) C.2006.01.12	1		
	15	90105-KGB5-900	BOLT SPECIAL 6*30	BOLT SPECIAL 6*30	3	1.05	
	17	90105-LBE2-900	Obsolete	Obsolete	6		
	12	90304-GLW0-90A	NUT U FLANGE 10MM **(0)	NUT U FLANGE 10MM **(0) C.2005.12.14	2	0.68	
	6	94021-08020-0S	NUT HEX CAP 8MM	NUT HEX CAP 8MM	3	3.25	
	5	94111-08800	WASHER SPRING 8MM	WASHER SPRING 8MM	3	0.33	
	9	96130-62000-00	BEARING 6200ZZ	BEARING 6200ZZ	2		

F05

Rear Wheel



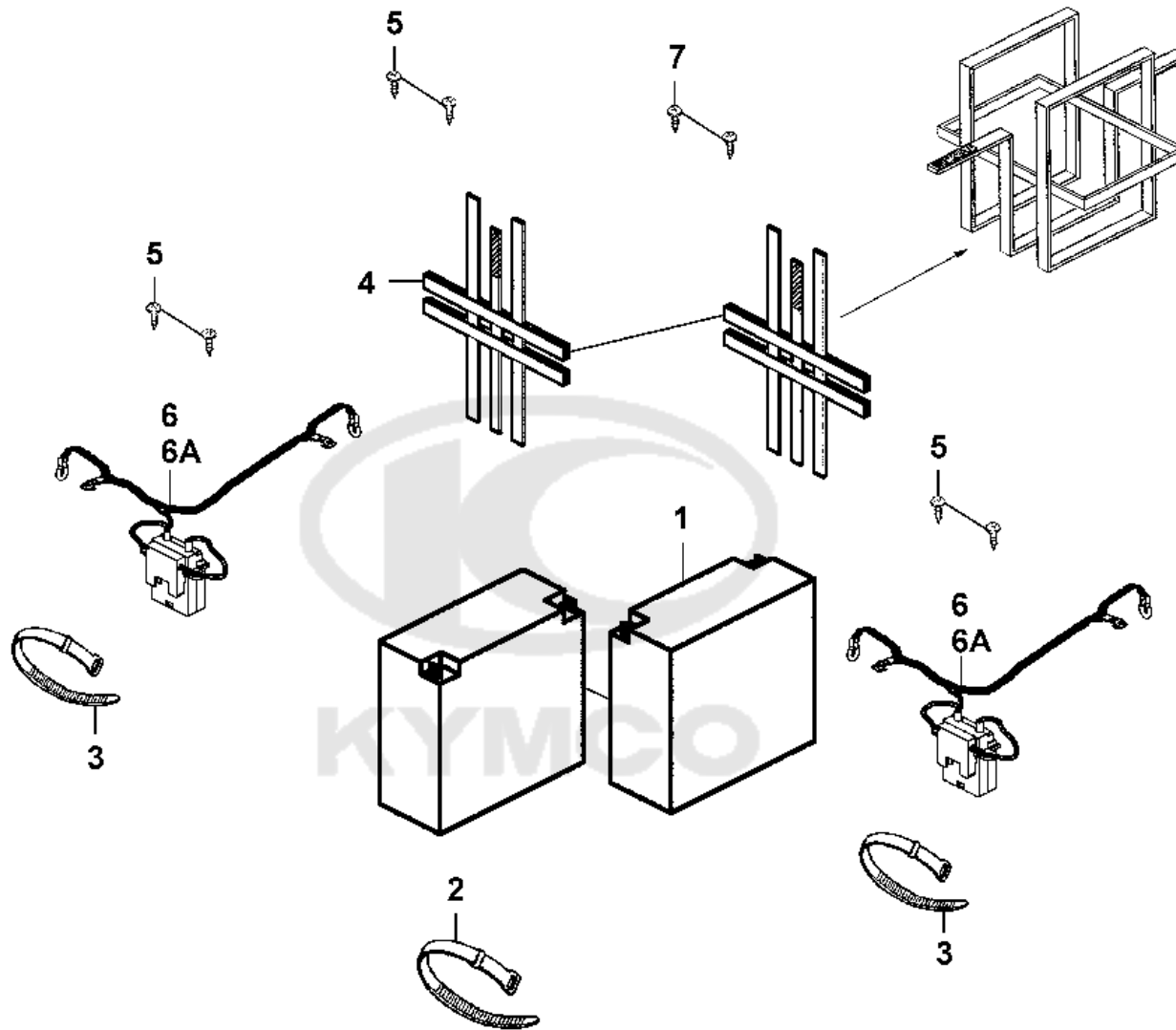
Sales mark	Ref no	Part no	Description	Reg description	Regd no	Ref Price	F05
4		42315-LAC5-900	CAP RR AXLE **(0) C.2003.10.22	CAP RR AXLE **(0) C.2003.10.22	2	3.25	
11		42600-LBE1-900	MAXI WHEEL ASSY-REAR RIGHT-	MAXI WHEEL ASSY-REAR RIGHT- 4.00x5	2	58.50	
5		4261A-LBE1-900	CONNECTOR ASSY RR **(0)	CONNECTOR ASSY RR **(0) C.2005.09.21	2	11.70	
8		42705-LAC5-900	WASHER 12MM RR WHEEL	WASHER 12MM RR WHEEL	2	3.25	
1		42710-LBE1-900	TIRE ASSY RR /KENDA	TIRE ASSY RR /KENDA	2	25.00	
2		44701-LBE1-900	RIM CAST FR **(0) C.2005.09.21	RIM CAST FR **(0) C.2005.09.21	2	13.00	
3		44702-LBE2-900	RIM COMP FR **LBE1 N.C.2004.03.30	RIM COMP FR **LBE1 N.C.2004.03.30	2		
10		90105-LAC5-900	BOLT M8*20 **(0) C.2005.09.08	BOLT M8*20 **(0) C.2005.09.08	6	3.25	
12		90131-LBE2-900	SOCKET BOLT 6*18 **(0) C.2006.01.12	SOCKET BOLT 6*18 **(0) C.2006.01.12	2		
9		90306-GLW0-90A	NUT FLANGE 12MM **(0) C.2009.03.05	NUT FLANGE 12MM **(0) C.2009.03.05	1	0.85	
7		94021-08020-0S	NUT HEX CAP 8MM	NUT HEX CAP 8MM	6	3.25	
6		94111-08800	WASHER SPRING 8MM	WASHER SPRING 8MM	6	0.33	



Sales mark	Ref no	Part no	Description	Reg description	Regd no	Ref Price	F06
------------	--------	---------	-------------	-----------------	---------	-----------	------------

	2	77100-LAC5-900	R/H USE 77100-LDB4-700	R/H USE 77100-LDB4-700	1	31.20	
**	1	77200-LAC5-700	SEAT ASSY	SEAT ASSY	1	206.81	
	4	77223-LAC5-305	BOLT LOCK ARM REST	BOLT LOCK ARM REST	2	3.25	
	3	77300-LAC5-900	L/H USE 77300-LDB4-700	L/H USE 77300-LDB4-700	1	31.20	



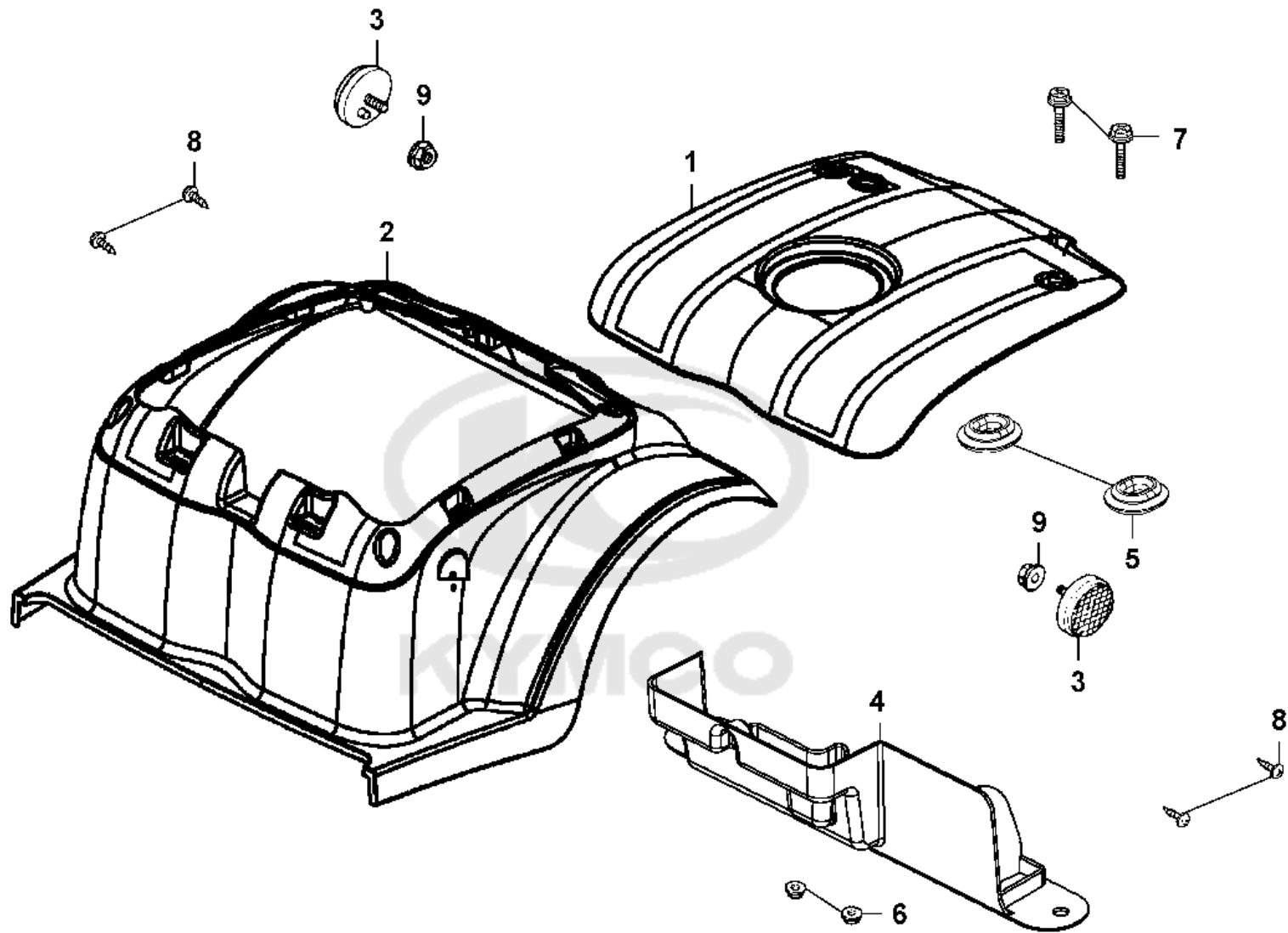


Sales mark	Ref no	Part no	Description	Reg description	Regd no	Ref Price	F07
1		31500-LBE1-900	ORDER 31500-BAT70	ORDER 31500-BAT70	2	125.00	
2		31510-LBE1-900	BAND A BATTERY **(0) C.2005.09.21	BAND A BATTERY **(0) C.2005.09.21	1	3.25	
3		31520-LBE1-900	BAND B BATTERY **(0) C.2005.09.21	BAND B BATTERY **(0) C.2005.09.21	2	3.25	
6		32201-LBE1-900	CONNECT CORD BATTERY	CONNECT CORD BATTERY	2		
6A		32201-LBE1-E20	CONNECT CORD BATTERY/100A **(2)	CONNECT CORD BATTERY/100A **(2)	2		
4		50325-LBE1-900	Obsolete	Obsolete	2		
5		93600-02008-0A	SCREW FLAT 2.5*8	SCREW FLAT 2.5*8	6	3.25	
7		93903-25460	SCREW TAPPING 5*20 **93903-25480	SCREW TAPPING 5*20 **93903-25480	2	0.25	

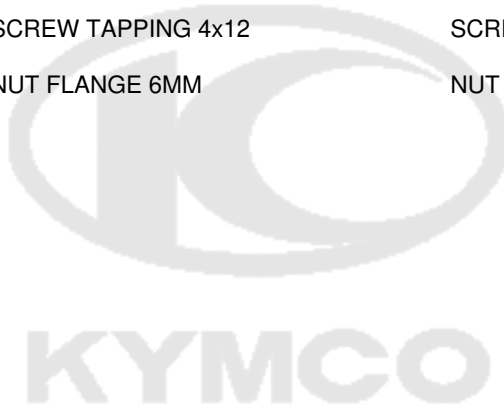


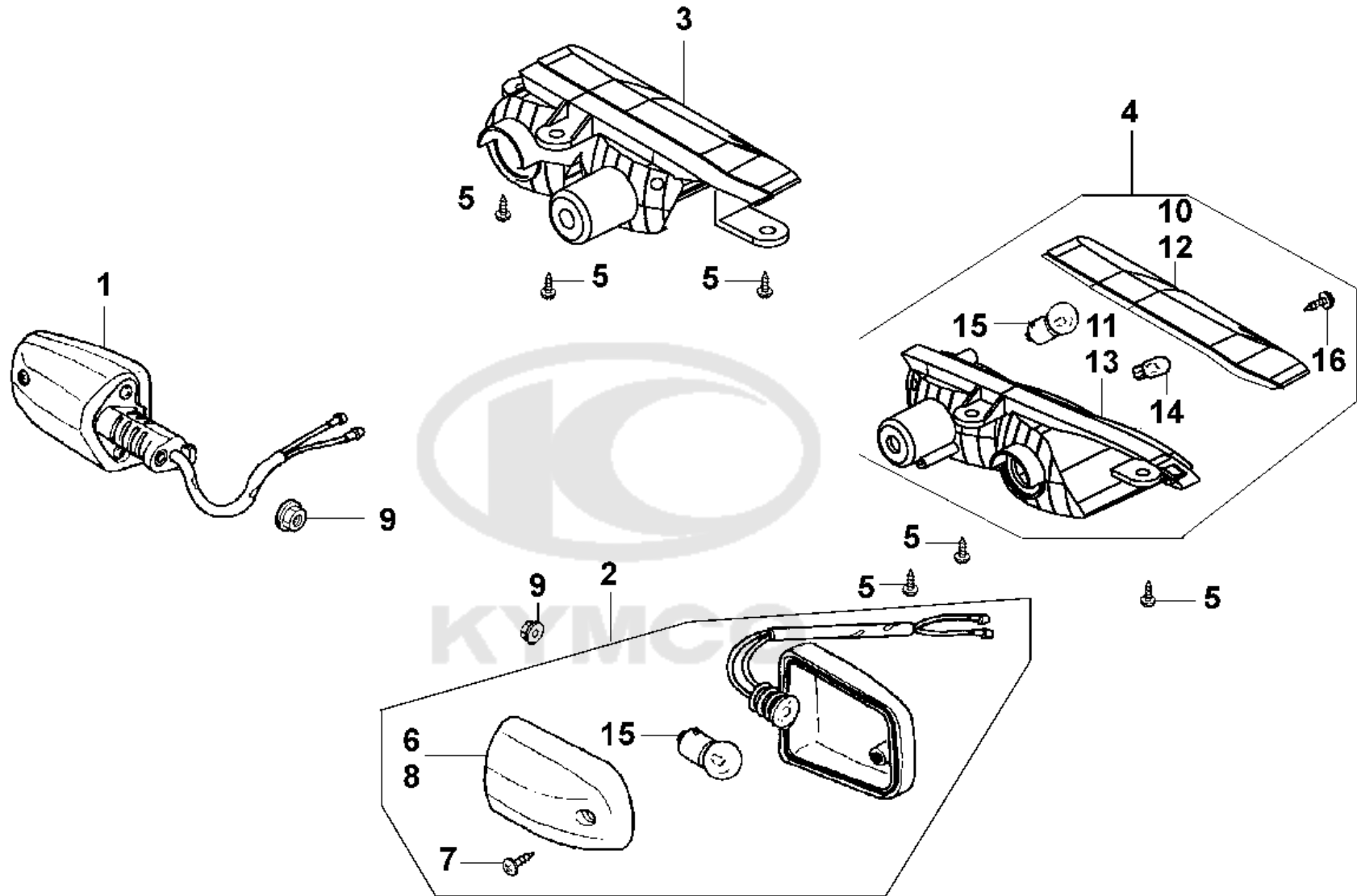
F08

Body Cover



Sales mark	Ref no	Part no	Description	Reg description	Regd no	Ref Price	F08
	3	33741-GFY6-C30	REFLEX REFLECTOR ORANGE	REFLEX REFLECTOR ORANGE	2	2.08	
	4	80102-LBE1-920	PLATE INNER FENDER SPLASH	PLATE INNER FENDER SPLASH	1	9.10	
**	1	83500-LBE1-900	REAR BATTERY COVER- MAXI RANGE	REAR BATTERY COVER- MAXI RANGE-	1	22.75	
	5	83551-KKAK-900	GROMMET AIR/C CASE **KAK-9000	GROMMET AIR/C CASE **KAK-9000	2	0.64	
**	2	83600-LBE1-900	REAR BODY PANEL- MAXI RANGE-	REAR BODY PANEL- MAXI RANGE- DEEP	1	84.50	
	6	90301-LAC5-671	NUT FLANGE 6MM	NUT FLANGE 6MM	6	3.25	
	7	90302-KEC8-910	BOLT PAN 5*9	BOLT PAN 5*9	2	3.25	
	8	93903-34380-G	SCREW TAPPING 4x12	SCREW TAPPING 4x12	1	3.25	
	9	94050-06080-G	NUT FLANGE 6MM	NUT FLANGE 6MM	2	0.49	

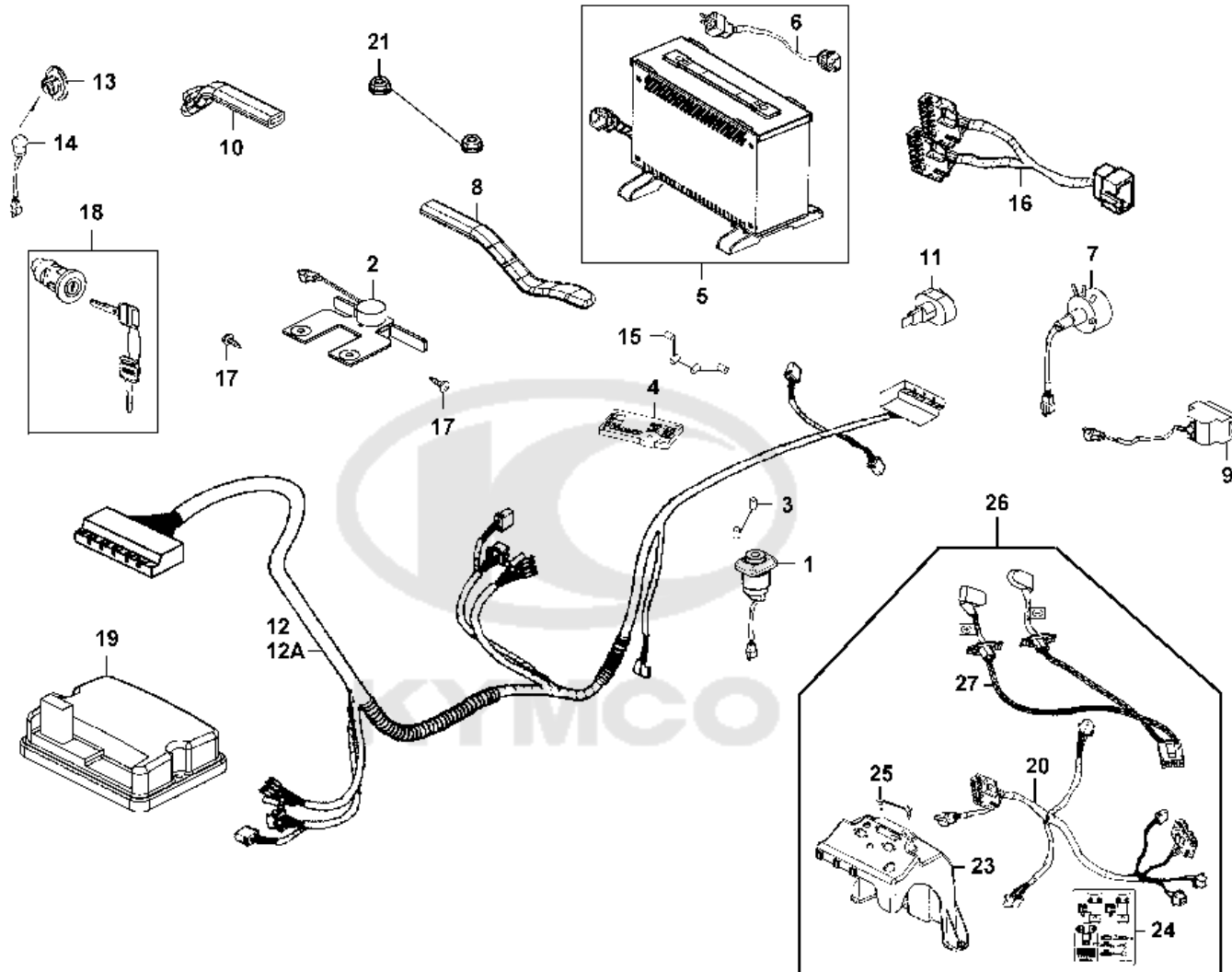




Sales mark	Ref no	Part no	Description	Reg description	Regd no	Ref Price	F09
	1	33400-LBB6-900	Obsolete	Obsolete	1		
	6	33402-KHC6-C0A	LENS R FR WINKER	LENS R FR WINKER	1		
	2	33450-LBB6-900	WINKER ASSY L FR **(0) C.2006.01.12	WINKER ASSY L FR **(0) C.2006.01.12	1		
	8	33452-KHC6-C0A	LENS L FR WINKER	LENS L FR WINKER	1		
	3	33600-LAC5-900	WINKER ASSY RH RR	WINKER ASSY RH RR	1	16.25	
	10	33601-LAC5-900	LENS COMP R RR WINKER	LENS COMP R RR WINKER	1	6.50	
	11	33604-LAC5-900	BASE COMP R RR WINKER	BASE COMP R RR WINKER	1	9.75	
	4	33650-LAC5-900	WINKER ASSY LH RR	WINKER ASSY LH RR	1	16.25	
	12	33651-LAC5-900	LENS COMP L RR WINKER	LENS COMP L RR WINKER	1	6.50	
	13	33654-LAC5-900	BASE COMP L RR WINKER	BASE COMP L RR WINKER	1	6.50	
	14	34903-LAC5-900	BULB POSITION	BULB POSITION	2	3.25	
	15	34905-LAC5-900	BULB WINKER 24V 10W	BULB WINKER 24V 10W	4	3.25	
	16	93901-32310	SCREW TAPPING 3*12	SCREW TAPPING 3*12	2	3.25	
	7	93901-32510	SCREW TAPPING 3*12	SCREW TAPPING 3*12	2		
	5	93903-34380-G	SCREW TAPPING 4x12	SCREW TAPPING 4x12	1	3.25	
	9	94050-10080	NUT FLANGE 10MM	NUT FLANGE 10MM	2	0.49	

F10

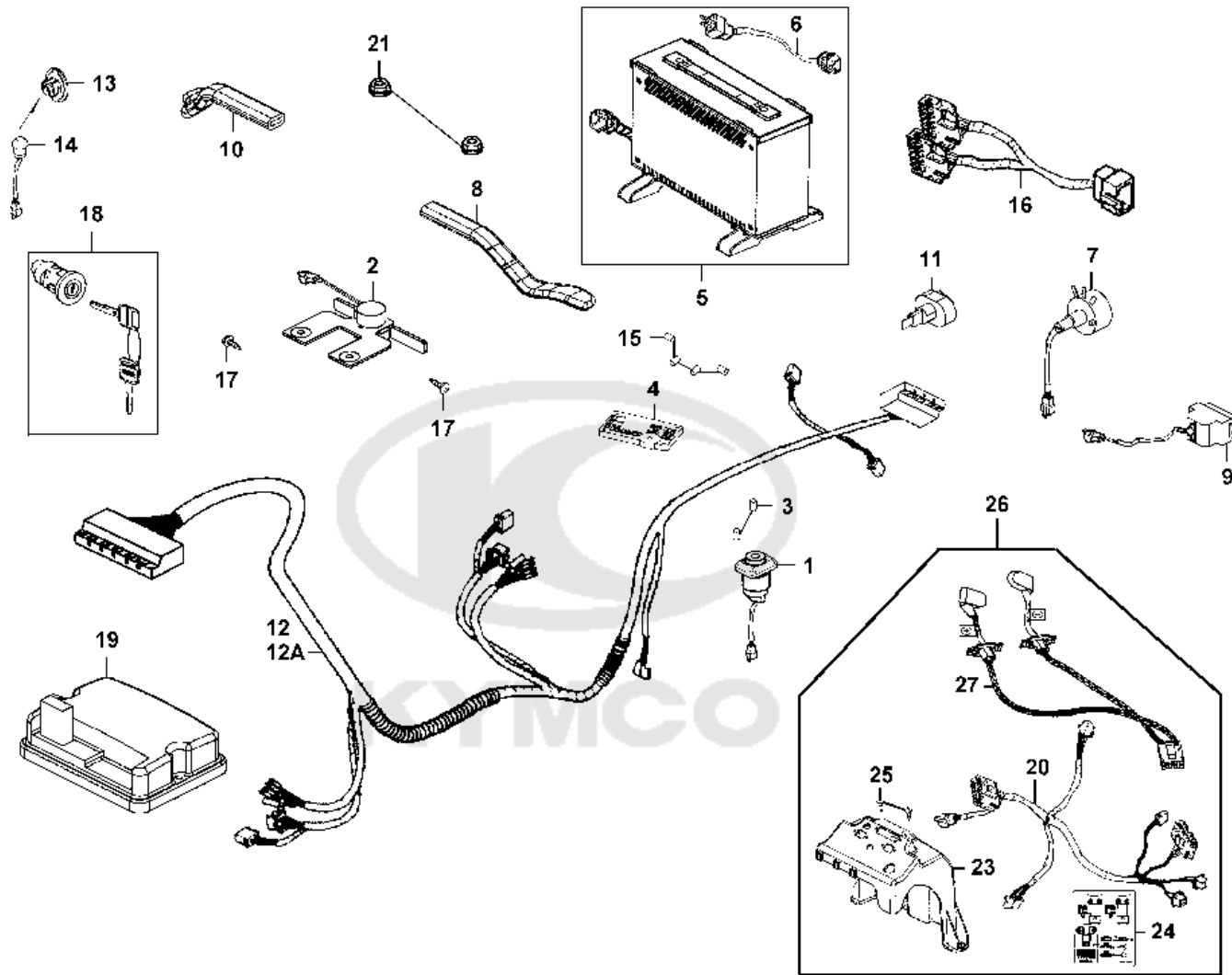
Harness Wire



Sales mark	Ref no	Part no	Description	Reg description	Regd no	Ref Price	F10
6		31280-LAC5-E20	CORD AC POWER	CORD AC POWER	1	6.50	
5		31800-ABA5-E20	BATTERY CHARGER ASSY ALT 31800-	BATTERY CHARGER ASSY ALT 31800-	1	150.00	
12		32100-LBE2-900	HARNESS WIRE	HARNESS WIRE	1		
12A		32100-LBE2-910	HARNESS WIRE	HARNESS WIRE	1		
20		32101-LBE1-900	Obsolete	Obsolete	1		
20		32101-LBE1-920	Obsolete	Obsolete	1		
20		32101-LBE1-930	Obsolete	Obsolete	1		
27		32102-LBE1-E20	CORD SET POWER	CORD SET POWER	1		
27		32102-LBE1-E23	Obsolete	Obsolete	1		
26		3210B-LBE1-E20	Obsolete	Obsolete	1		
26		3210B-LBE1-E21	Obsolete	Obsolete	1		
1		32620-LAC5-900	SOCKET CHARGER	SOCKET CHARGER	1	8.45	
16		33710-LAC5-900	REAR LIGHT LOOM	REAR LIGHT LOOM	1	3.25	
2		34010-LAC5-900	THROTTLE	THROTTLE	1	39.00	
18		35010-LAC5-E00	KEY SET	KEY SET	1	16.25	
7		35115-LAC5-900	SPEED POT 20K?	SPEED POT 20K?	1	11.70	
11		35330-LBE1-900	SW UNIT HI/LO	SW UNIT HI/LO	1	6.50	
19		36000-LBE1-E20	Obsolete	Obsolete	1		
19		36000-LBE1-E23	Obsolete	Obsolete	1		
4		36100-AAH6-E20	CONTROL METER	CONTROL METER	1	42.50	

F10

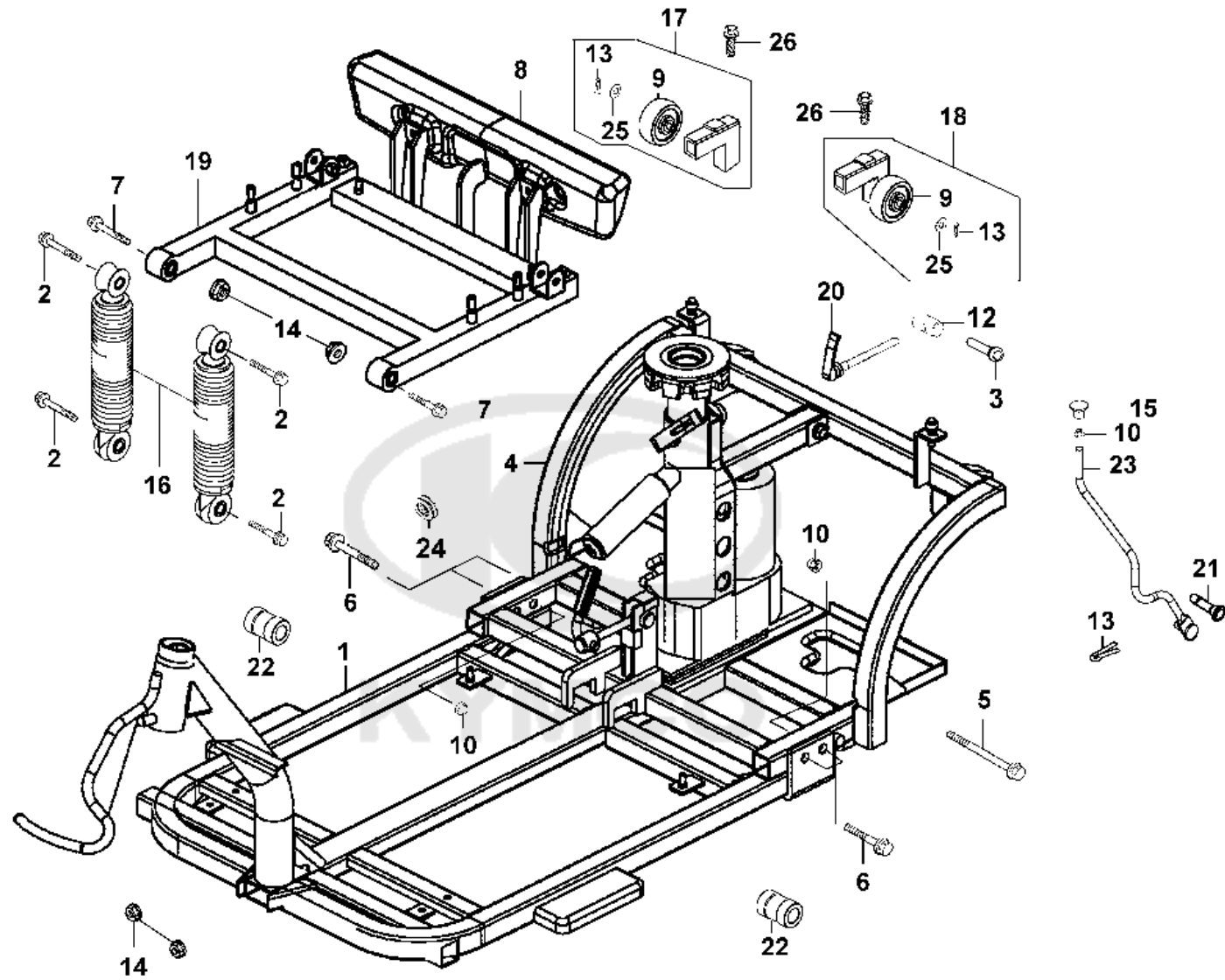
Harness Wire



Sales mark	Ref no	Part no	Description	Reg description	Regd no	Ref Price	F10
	8	36108-LBE1-900	LEVER RH SPEED THROTTLE	LEVER RH SPEED THROTTLE	1	6.50	
	10	36109-LBE1-900	LEVER LH SPEED THROTTLE	LEVER LH SPEED THROTTLE	1	6.50	
	14	36110-LAC5-900	LED	LED	1	3.25	
	13	36120-LAC5-900	LED HOUSE	LED HOUSE	1	3.25	
	9	37806-LAC5-900	VU METER **(0) C.2005.09.08	VU METER **(0) C.2005.09.08	1	9.10	
	23	80101-LBE1-900	Obsolete	Obsolete	1		
**	24	87508-LBE1-E00	LABEL BATTERY	LABEL BATTERY	1		
	3	93600-02008-0A	SCREW FLAT 2.5*8	SCREW FLAT 2.5*8	2	3.25	
	17	93891-05025-06	SCREW WASHER 5*25 **07	SCREW WASHER 5*25 **07 C.2006.01.04	2	0.26	
	15	93901-32120	SCREW TAPPING 3*8 *(1) C.V.	SCREW TAPPING 3*8 *(1) C.V.	4	0.26	
	25	93903-14280	SCREW TAPPING 4*10	SCREW TAPPING 4*10	2		
	21	94050-06080-G	NUT FLANGE 6MM	NUT FLANGE 6MM	2	0.49	

F11

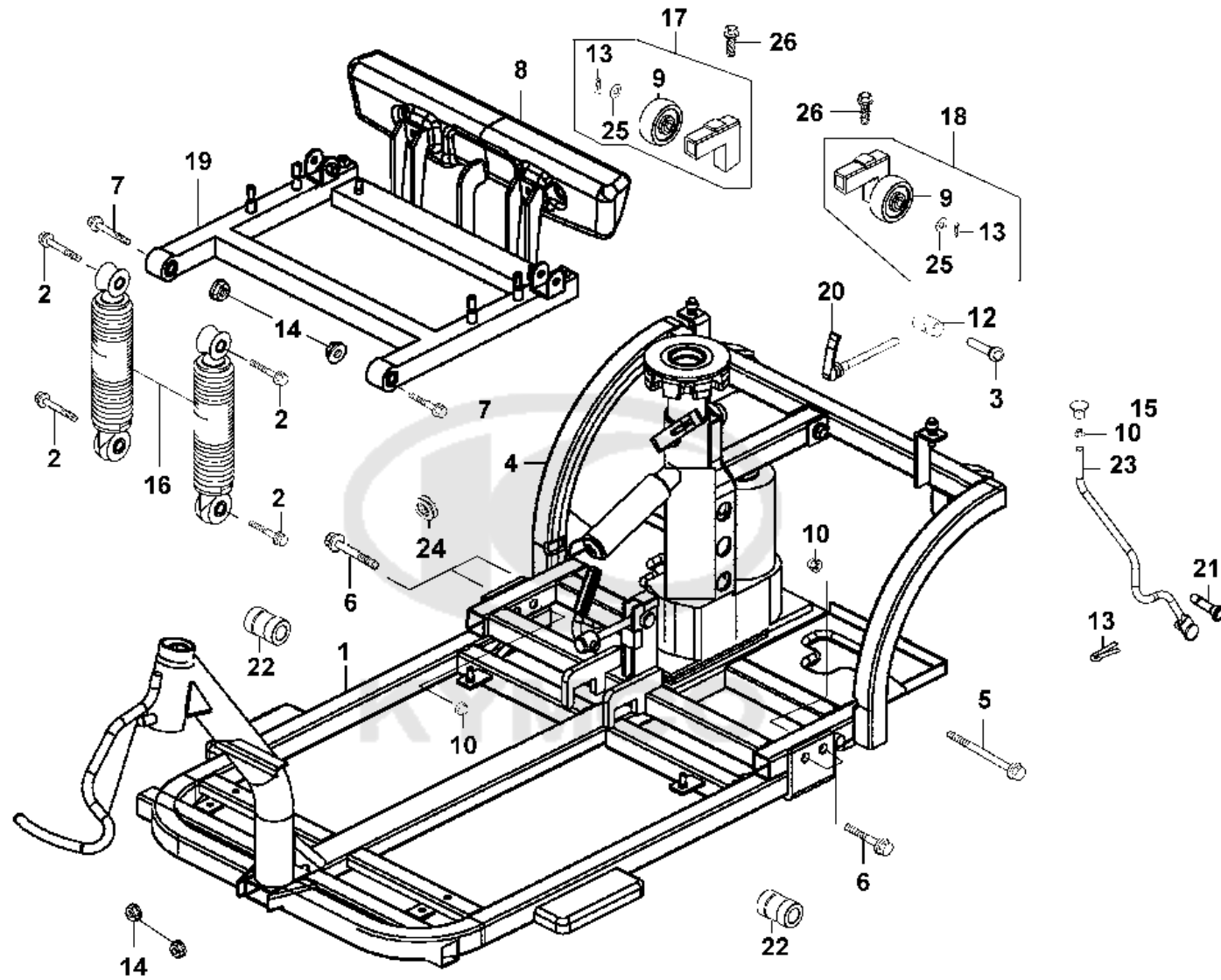
Frame Body



Sales mark	Ref no	Part no	Description	Reg description	Regd no	Ref Price	F11
9		42800-LAC5-900	ANTI-TIP WHEEL	ANTI-TIP WHEEL	2	3.25	
1		5011A-LBE2-900	Obsolete	Obsolete	1		
4		5012A-LBE2-900	Obsolete	Obsolete	1		
21		50234-LBE1-900	SHAFT BRAKE LEAVE **(0)	SHAFT BRAKE LEAVE **(0) C.2005.09.21	1	5.85	
17		5023A-LBE1-900	PIPE R ASSY AUX WHEEL **(6)	PIPE R ASSY AUX WHEEL **(6)	1	9.10	
18		5023B-LBE1-900	PIPE L ASSY AUX WHEEL **(0)	PIPE L ASSY AUX WHEEL **(0)	1	9.10	
20		50302-LAC5-900	FAST DISMANTLE SEAT	FAST DISMANTLE SEAT	1		
12		50304-LAC5-900	Obsolete	Obsolete	1		
23		50308-LBE1-900	Obsolete	Obsolete	1		
15		50309-LAC5-900	BRAKE LEAVE KNOB	BRAKE LEAVE KNOB	1	3.25	
19		52110-LBE1-900	52110-LBE1-900	52110-LBE1-900	1	12.00	
16		52400-LBE1-900	CUSHION ASSY RR **(0) C.2005.09.21	CUSHION ASSY RR **(0) C.2005.09.21	2	27.30	
22		53101-LBE1-900	COLLAR REAR FORK **(0)	COLLAR REAR FORK **(0) C.2005.09.21	2	3.25	
24		83551-KED9-900	GROMMET COVER **(0) C.2005.09.21	GROMMET COVER **(0) C.2005.09.21	1	0.23	
8		83751-LBE1-900	BUMPER RR **(0) C.2004.07.08	BUMPER RR **(0) C.2004.07.08	1	29.25	
10		90304-GLW0-90A	NUT U FLANGE 10MM **(0)	NUT U FLANGE 10MM **(0) C.2005.12.14	5	0.68	
3		93500-04012-0HG	SCREW PAN 4*12	SCREW PAN 4*12	1	3.25	
14		94050-08080-G	NUT FLANGE 8MM (C)	NUT FLANGE 8MM (C)	4	0.49	
25		94101-06800-G	WASHER PLAN 6MM	WASHER PLAN 6MM	2	0.12	
13		94251-06400	PIN LOCK 6MM	PIN LOCK 6MM	3	0.14	

F11

Frame Body

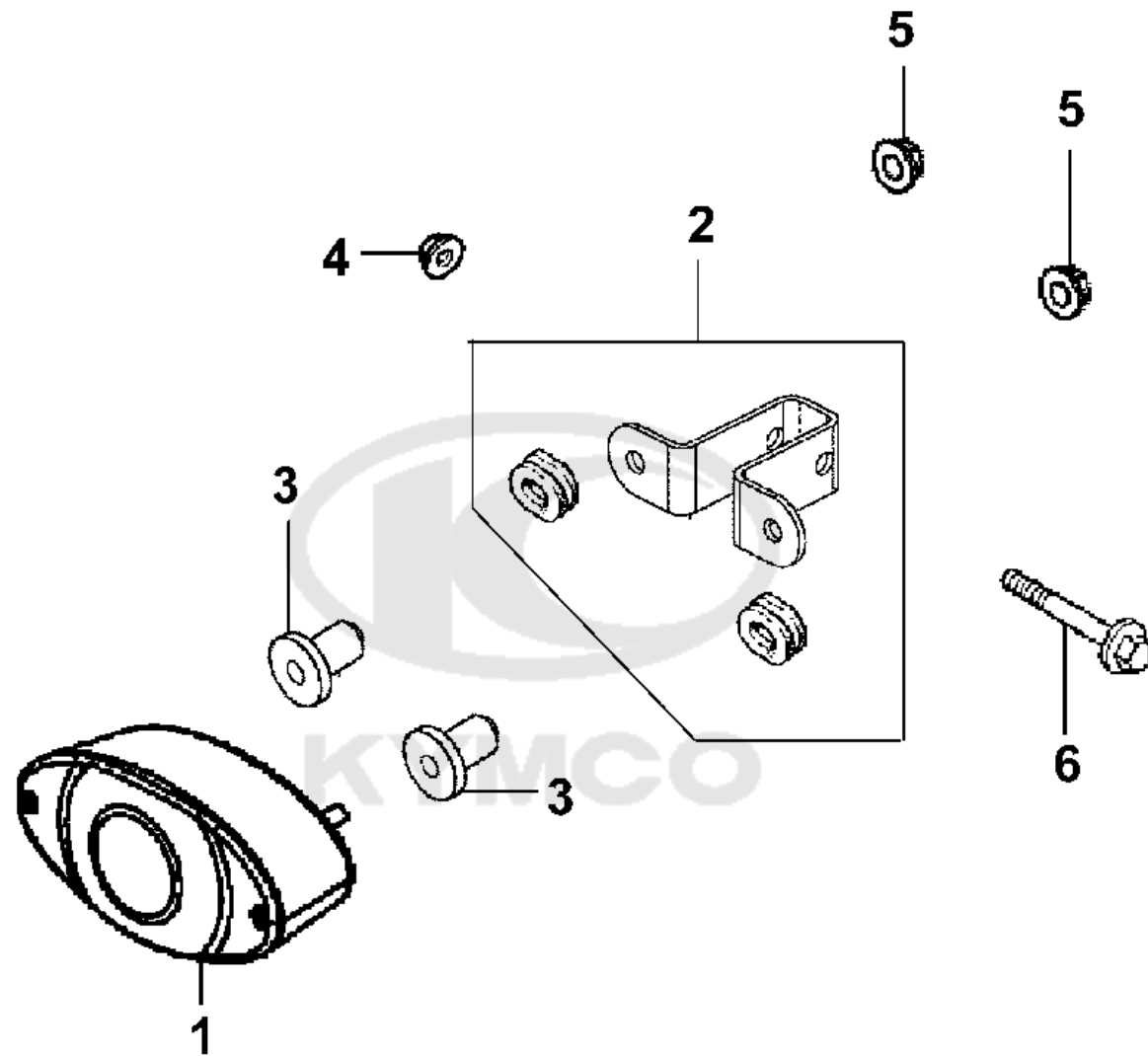


Sales mark	Ref no	Part no	Description	Reg description	Regd no	Ref Price	F11
26		95701-08020-08G	BOLT FLANGE 8*20	BOLT FLANGE 8*20	2	3.25	
5		95701-10070-06	BOLT FLANGE 10*70	BOLT FLANGE 10*70	1		
2		95801-08035-06	BOLT FLANGE 8*35 **LLJ1-900	BOLT FLANGE 8*35 **LLJ1-900	4	0.36	
6		95801-10045-08G	BOLT FLANGE 10*45 (C)	BOLT FLANGE 10*45 (C)	1	1.22	
7		95801-10050-08G	BOLT FLANGE 10*50 (C)	BOLT FLANGE 10*50 (C)	2	0.50	



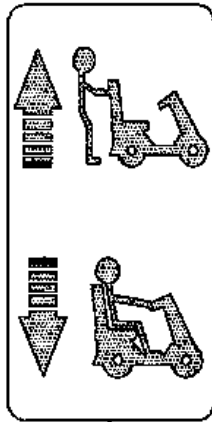
F12

Head Light

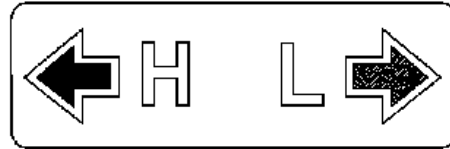


Sales mark	Ref no	Part no	Description	Reg description	Regd no	Ref Price	F12
1		33100-LAC5-900	Obsolete	Obsolete	1		
2		50180-LAC5-900	Obsolete	Obsolete	1		
3		61104-LAC5-900	Obsolete	Obsolete	2		
4		94050-06080-G	NUT FLANGE 6MM	NUT FLANGE 6MM	1	0.49	
5		94050-10080	NUT FLANGE 10MM	NUT FLANGE 10MM	2	0.49	
6		95701-06035-06	BOLT FLANGE 6*35 **07 C.2005.07.01	BOLT FLANGE 6*35 **07 C.2005.07.01	1	0.50	





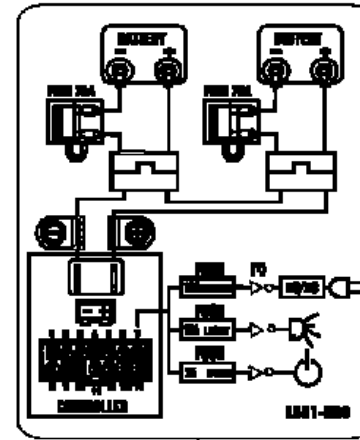
1



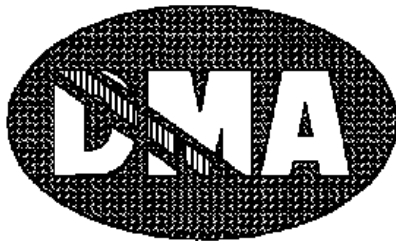
2



3



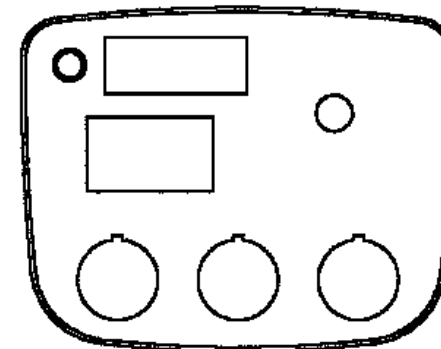
4



5
5A



6



7

Sales mark	Ref no	Part no	Description	Reg description	Regd no	Ref Price	F13
**	6	86020-LAC5-E20	EMB DMA STRIDER	EMB DMA STRIDER	1		
**	5	86102-LAC5-E20	Obsolete	Obsolete	1		
**	7	86444-LAC5-900	EMB METER	EMB METER	1	6.50	
**	1	87501-LAC5-900	USE CAUTION SILVER	USE CAUTION SILVER	1	3.25	
**	4	87508-LBE1-E00	LABEL BATTERY	LABEL BATTERY	1		
**	3	87560-LAC5-900	MARK DRIVE CAUTION	MARK DRIVE CAUTION	1	3.25	
**	2	87562-LBE1-E00	LABLE SPEED SW	LABLE SPEED SW	1	3.25	



PART NO. INDEX

PART NO.	VERSION	PAGE	PART NO.	VERSION	PAGE	PART NO.	VERSION	PAGE
11000			32000			33650-LAC5-900	7	F09
1110A-LBE1-E20	2	E01	32100-LBE2-900	0	F10	33651-LAC5-900	3	F09
1110A-LBE1-E21	4	E01	32100-LBE2-910	0	F10	33654-LAC5-900	2	F09
11302-LAC5-900	0	E01	32101-LBE1-900	4	F10	33710-LAC5-900	3	F10
			32101-LBE1-920	1	F10	33741-GFY6-C30	1	F08
13000			32101-LBE1-930	3	F10	34000		
			32102-LBE1-E20	1	F10	34010-LAC5-900	7	F10
13331-LAC5-900	0	E01	32102-LBE1-E23	1	F10	34903-LAC5-900	1	F09
			3210B-LBE1-E20	1	F10	34905-LAC5-900	1	F09
31000			3210B-LBE1-E21	1	F10			
			32201-LBE1-900	5	F07	35000		
31280-LAC5-E20	2	F10	32201-LBE1-E20	3	F07	35010-LAC5-E00	2	F10
31300-LBE1-800	0	E01	32620-LAC5-900	5	F10	35110-LAC5-900	5	F01
31300-LBE1-810	2	E01				35115-LAC5-900	1	F10
31300-LBE1-950	1	E01	33000			35150-LAC5-900	4	F01
31340-LBE1-900	0	E01				35180-LAC5-900	4	F01
31345-LBE1-305	0	E01	33100-LAC5-900	5	F12	35190-LAC5-900	7	F01
31347-LBE1-305	0	E01	33400-LBB6-900	1	F09	35200-LAC5-900	3	F01
31350-LBE1-810	0	E01	33402-KHC6-C0A	0	F09	35330-LBE1-900	1	F10
31350-LBE1-900	2	E01	33450-LBB6-900	1	F09			
31500-LBE1-900	1	F07	33452-KHC6-C0A	0	F09	36000		
31510-LBE1-900	3	F07	33600-LAC5-900	7	F09			
31520-LBE1-900	2	F07	33601-LAC5-900	3	F09			
31800-ABA5-E20	1	F10	33604-LAC5-900	2	F09	36000-LBE1-E20	1	F10

PART NO. INDEX

PART NO.	VERSION	PAGE	PART NO.	VERSION	PAGE	PART NO.	VERSION	PAGE
36000-LBE1-E23	0	F10	44600-LBE2-900	5	F04	50302-LAC5-900	2	F11
36100-AAH6-E20	4	F10	44650-LBE2-900	4	F04	50304-LAC5-900	1	F11
36108-LBE1-900	2	F10	44701-LBE1-900	2	F04	50306-1F96-001	0	F03
36109-LBE1-900	2	F10	44701-LBE1-900	2	F05	50308-LBE1-900	4	F11
36110-LAC5-900	3	F10	44702-LBE1-900	3	F04	50309-LAC5-900	3	F11
36120-LAC5-900	2	F10	44702-LBE2-900	0	F05	50325-LBE1-900	2	F07
			44705-LAC5-900	7	F04	50350-LDB4-900	2	E01
37000			44710-LBE1-900	2	F04			
			45000			52000		
37806-LAC5-900	4	F10				52110-LBE1-900	6	F11
			45100-LBE2-900	2	F04	52400-LBE1-900	3	F11
42000			45105-LBE2-900	0	F04			
			45351-LBE2-900	1	F04	53000		
42315-LAC5-900	3	F05	45450-LBE2-900	2	F01			
42600-LBE1-900	5	F05				53100-LAC5-900	11	F01
4261A-LBE1-900	3	F05	50000			53101-LAC5-900	0	F01
42705-LAC5-900	5	F05				53101-LBE1-900	2	F11
42710-LBE1-900	3	F05	5011A-LBE2-900	2	F11	53104-LBB6-900	5	F01
42800-LAC5-900	6	F11	5012A-LBE2-900	2	F11	5310A-LAC5-900	3	F01
			50150-LAC5-900	4	F01	5310B-LAC5-900	1	F01
44000			50160-LAC5-900	7	F01	53125-LAC5-900	6	F01
			50180-LAC5-900	0	F12	53166-LAE9-E00	3	F01
44301-LKC6-900	1	F04	50234-LBE1-900	3	F11	5317B-LAC5-900	2	F01
44311-LBE2-900	1	F04	5023A-LBE1-900	8	F11	53190-LAC5-90A	9	F01
44312-LBE2-900	1	F04	5023B-LBE1-900	5	F11	53191-LAC5-900	2	F01
44315-LAC5-900	3	F04						

PART NO. INDEX

PART NO.	VERSION	PAGE	PART NO.	VERSION	PAGE	PART NO.	VERSION	PAGE
53196-LAC5-900	4	F01	77300-LAC5-900	3	F06	87508-LBE1-E00	3	F13
53205-LBB6-900	3	F01				87560-LAC5-900	4	F13
53206-LBE1-900	1	F01	80000			87562-LBE1-E00	3	F13
53207-LAC5-900	8	F01						
53209-LAC5-800	6	F01	80101-LBE1-900	7	F10	88000		
5320B-LBE2-900	4	F03	80102-LBE1-920	3	F08			
53211-GFY6-940	1	F03				88120-LAC5-910	4	F01
53212-LDB4-004	1	F03	83000			88130-LAC5-900	2	F01
53406-LAC5-900	2	F01						
61000			83500-LBE1-900	2	F08	90000		
			83551-KED9-900	2	F11			
			83551-KKAK-900	0	F08	90023-LAC5-001	1	F02
61104-LAC5-900	0	F12	83600-LBE1-900	1	F08	90105-KGB5-900	0	F04
64000			83751-LBE1-900	2	F11	90105-LAC5-900	4	F05
			86000			90105-LBE2-900	1	F04
						90131-LBE2-900	1	F05
64310-LBE2-900	2	F02				90301-LAC5-671	1	F02
64311-LAE9-E00	2	F02	86020-LAC5-E20	1	F13	90301-LAC5-671	1	F08
64312-LBE1-900	2	F02	86102-LAC5-E20	1	F13	90302-GFY6-911	1	F01
64320-LBE2-900	1	F02	86102-LAC5-E21	1	F13	90302-KEC8-910	1	F01
77000			86444-LAC5-900	9	F13	90302-KEC8-910	1	F08
			87000			90304-GLW0-90A	1	F04
						90304-GLW0-90A	1	F11
77100-LAC5-900	3	F06				90306-GLW0-90A	1	F05
77200-LAC5-700	8	F06	87501-LAC5-900	7	F13	90309-GLW0-90A	1	F01
77223-LAC5-305	2	F06	87508-LBE1-E00	3	F10			

PART NO. INDEX

PART NO.	VERSION	PAGE	PART NO.	VERSION	PAGE	PART NO.	VERSION	PAGE
93000			94050-08080-G	1	F01			
			94050-08080-G	1	F11			
			94050-10080	1	F09			
93500-04012-0HG	0	F11	94050-10080	1	F12			
93600-02008-0A	0	F07	94101-06800-G	1	F11			
93600-02008-0A	0	F10	94111-08800	0	F04			
93891-04012-06	0	E01	94111-08800	0	F05			
93891-05025-06	0	F10	94251-06400	0	F11			
93901-32120	1	F10	94510-19000	0	E01			
93901-32310	0	F09						
93901-32510	0	F09	95000					
93903-14280	0	F10						
93903-25460	0	F07	95701-06035-06	1	F12			
93903-34380-G	0	F01	95701-08020-08G	1	F11			
93903-34380-G	0	F08	95701-10070-06	0	F11			
93903-34380-G	0	F09	95801-08035-06	1	F01			
			95801-08035-06	1	F11			
94000			95801-08045-08G	0	F01			
			95801-10045-08G	0	F11			
			95801-10050-08G	0	F11			
94001-06080-0S	0	F01						
94021-08020-0S	0	F04						
94021-08020-0S	0	F05	96000					
94050-06080-G	1	F08						
94050-06080-G	1	F10	96130-62000-00	0	F04			
94050-06080-G	1	F12	96211-05000	26	F03			
94050-08080-G	1	E01	96600-06060-07	1	E01			