

PARTS CATALOGUE



MOBILITY SCOOTER

EV10GA(UK)

Micro



Release Date : 2017/01/12
Print Date : 2019/11/04

ABOUT THIS PARTS LIST

- This parts list is compiled all service parts for model EV10GA(UK).
- Any difference between color chart and motorcycle will be revised according to motorcycle.
- The Mark:
 1. Marking "***" must add color code in the end before ordering parts.
 2. Marking "#" are parts with modification, Please find the details from e-Parts system.
- When modification or additions to this parts list are made a revised edition at an appropriate time.



CONTENTS

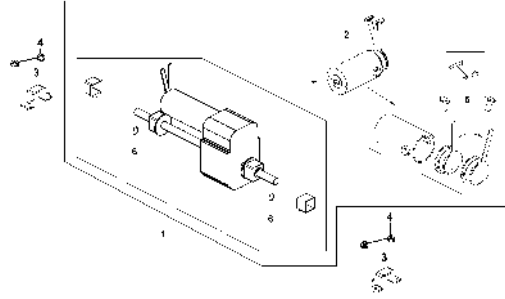
● ABOUT THIS PARTS LIST	1
● COLOR CHART OF EV10GA(UK)	3
● CONTENTS-ENGINE GROUP	5
● CONTENTS-FRAME GROUP	6
● ENGINE PARTS LIST	8
● FRAME PARTS LIST	10
● PART NO. INDEX	36

NO	MODEL			COLOR CHART OF EV10GA(UK)			
	PHOTO NO			NO. 1	NO. 2	NO. 3	NO. 4
	BASIC COLOR			Violet	Red Crystal	Brownnet	Dark Brown
	CODE			Violet	Red Crystal	Brownnet	Dark Brown
	PARTS NAME	PARTS NO.	VERSION	PB209MA	RR163MA	NH005CA	NH005CA
1	CAP FR AXLE	44315-LCA1-E00	2	N1R			
2	MAT FLOOR	64320-LCA1-E00	1				
3	OBSOLETE	53205-LAE9-E00	0	BNP	E6P	N3P	
4	FLOOR PANEL **(0)	64310-LCA1-E00	4				
5	COVER BATTERY	50326-LCA1-E00	1	N8P			
6	FENDER FR **(0)	61100-LCA1-E00	1				
7	COVER RR HANDLE	53206-LAE9-E00	9	NFP			
8	EMB DMA STRIDER	86020-LAC5-E20	1	T01			
9	EMB DMA-LOGO 15MM	86102-LAC5-E20	1				
10	STRIPE METER	86407-LAE9-E00	2				
11	USE CAUTION	87501-LAE9-E00	3				
12	LABEL BATTERY	87508-LCA1-E00	3				
13	MARK R DRIVE	87560-LAE9-E00	3				
14	MARK L DRIVE CAUTION	87660-LAE9-E00	3				
DATE OF STARTING-SALES							
DATE OF END-SALES							

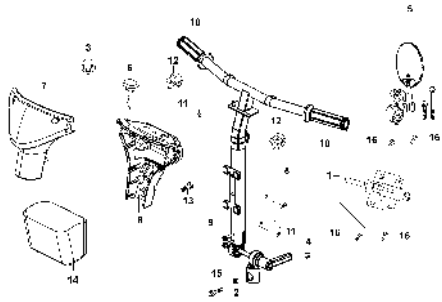
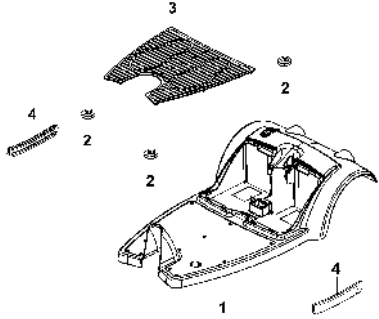
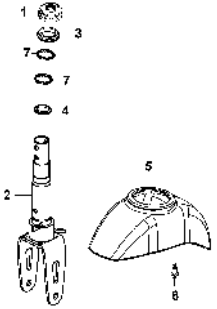
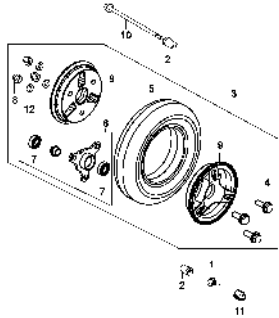
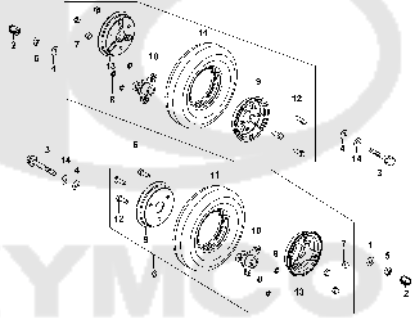
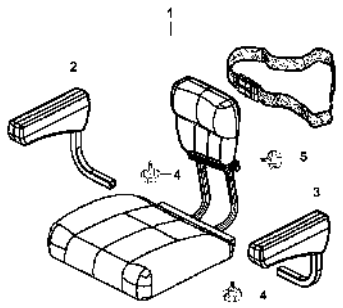
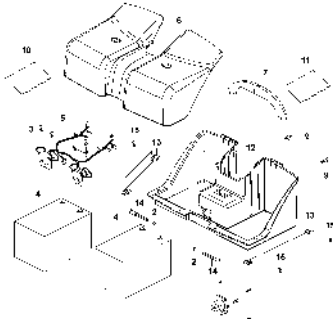
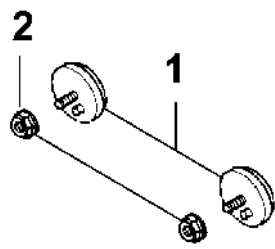
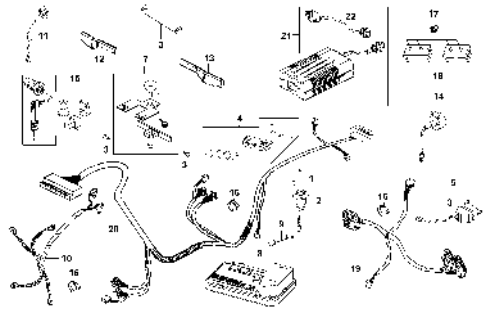
NO	MODEL			COLOR CHART OF EV10GA(UK)			
	PHOTO NO			NO. 5			
	BASIC COLOR			Dark Red			
	CODE			Dark Red			
	PARTS NAME	PARTS NO.	VERSION	RR132CA			
1	CAP FR AXLE	44315-LCA1-E00	2	N1R			
2	MAT FLOOR	64320-LCA1-E00	1				
3	OBSOLETE	53205-LAE9-E00	0	R7P			
4	FLOOR PANEL **(0)	64310-LCA1-E00	4				
5	COVER BATTERY	50326-LCA1-E00	1	N8P			
6	FENDER FR **(0)	61100-LCA1-E00	1				
7	COVER RR HANDLE	53206-LAE9-E00	9	NFP			
8	EMB DMA STRIDER	86020-LAC5-E20	1	T01			
9	EMB DMA-LOGO 15MM	86102-LAC5-E20	1				
10	STRIPE METER	86407-LAE9-E00	2				
11	USE CAUTION	87501-LAE9-E00	3				
12	LABEL BATTERY	87508-LCA1-E00	3				
13	MARK R DRIVE	87560-LAE9-E00	3				
14	MARK L DRIVE CAUTION	87660-LAE9-E00	3				
DATE OF STARTING-SALES							
DATE OF END-SALES							

CONTENTS - ENGINE GROUP

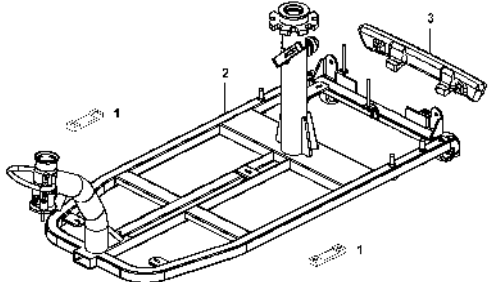
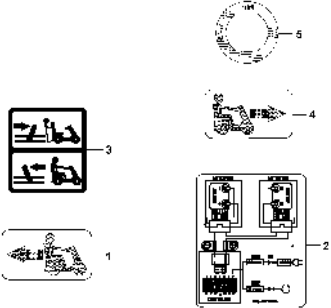
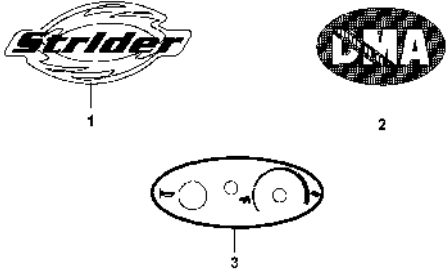

E01 MOTOR ASSY



CONTENTS - FRAME GROUP

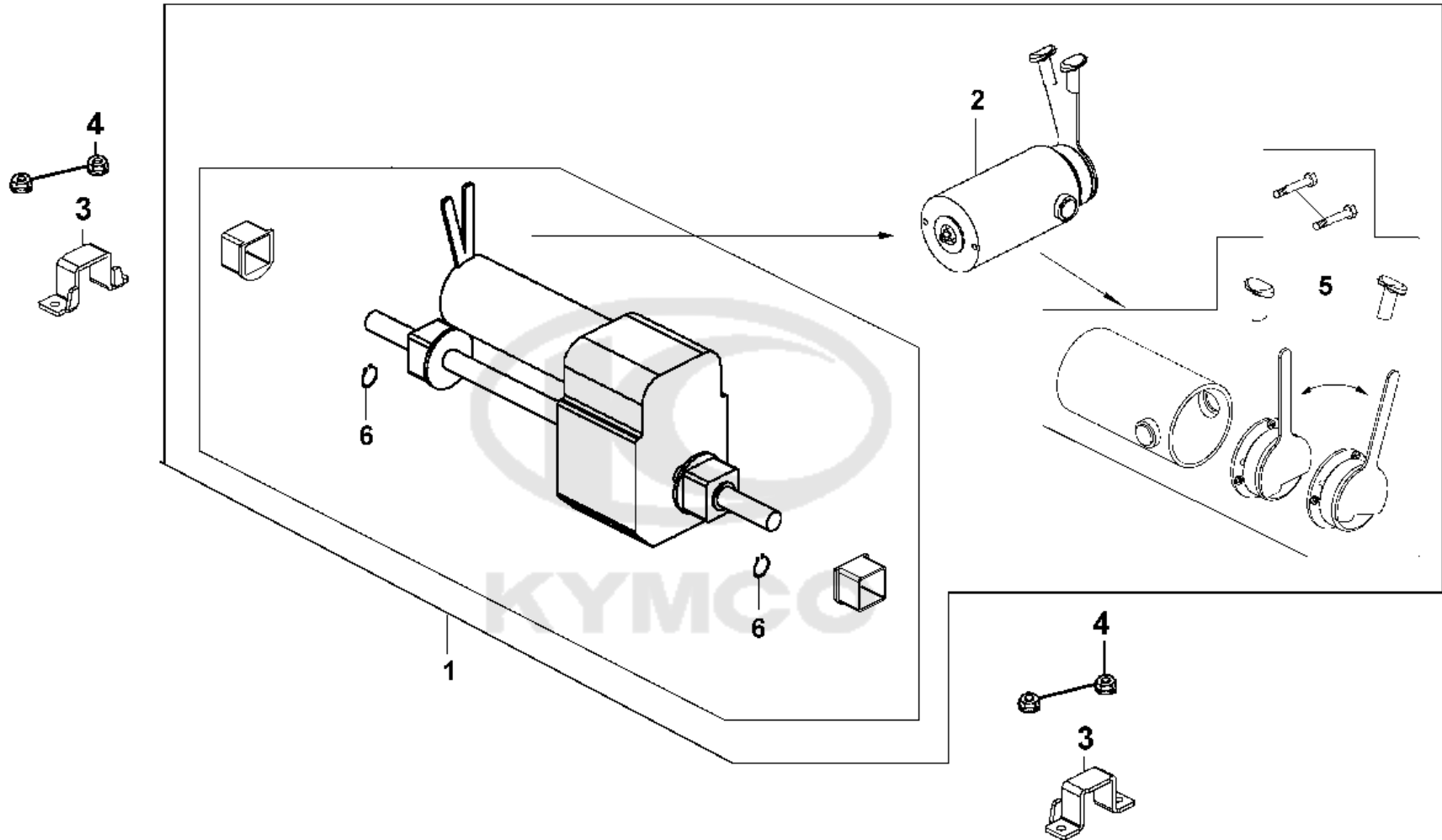
<p>F01 Handle Steering</p>	<p>F02 Floor Panel</p>	<p>F03 Stem Steering</p>
		
<p>F04 Front Wheel</p>	<p>F05 Rear Wheel</p>	<p>F06 Seat</p>
		
<p>F07 Battery</p>	<p>F08 REFLEX REFLECTOR SIDE</p>	<p>F09 Harness Wire</p>
		

CONTENTS - FRAME GROUP

<p>F10 Frame Body</p>	<p>F11 Caution Label</p>	<p>F12 STRIPE</p>
		
		

E01

MOTOR ASSY



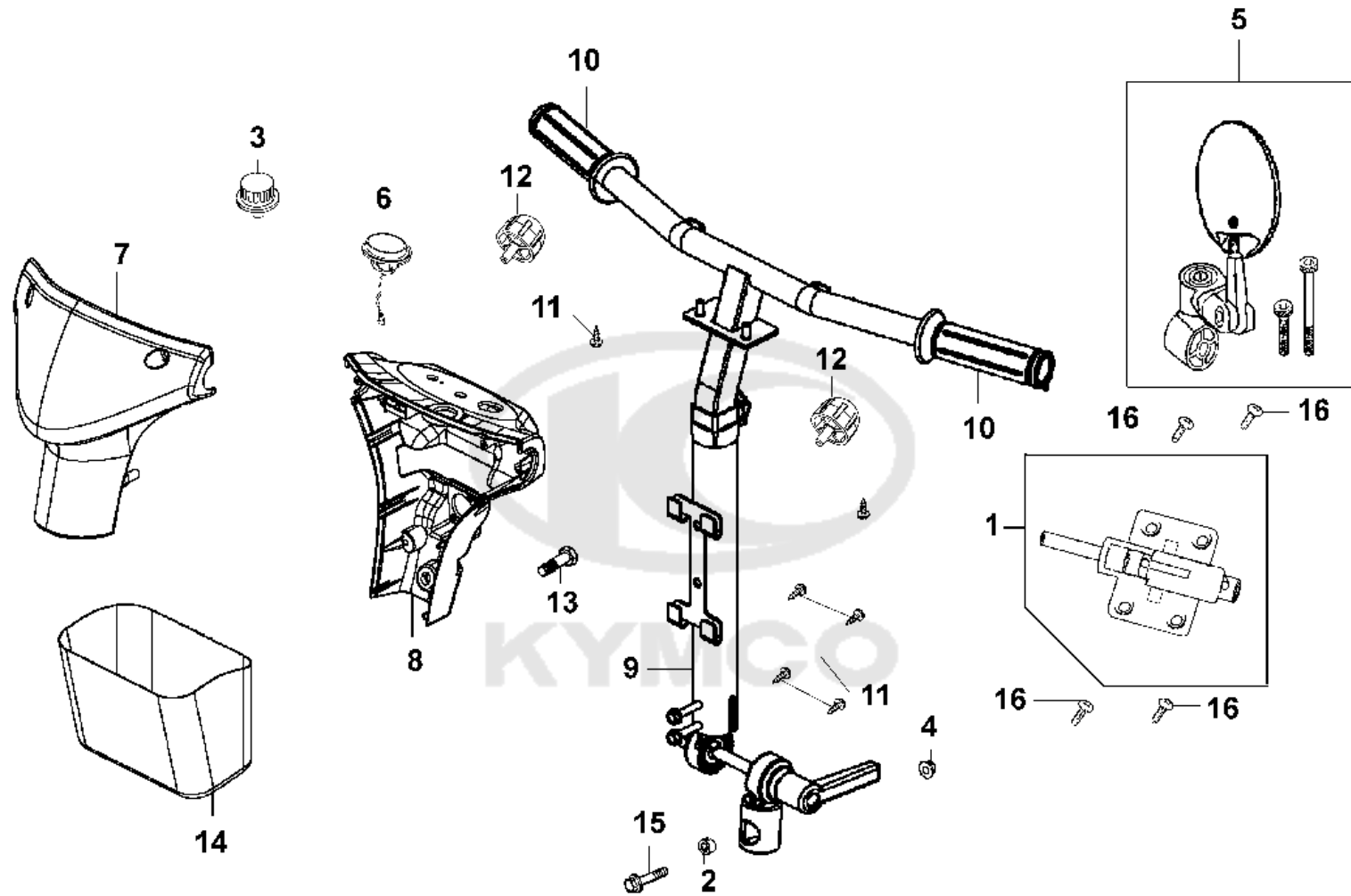
Sales mark	Ref no	Part no	Description	Reg description	Regd no	Ref Price	E01
------------	--------	---------	-------------	-----------------	---------	-----------	-----

1		1000A-LCA1-E00	MOTOR TRANSLAXE ASSY	MOTOR TRANSLAXE ASSY	1		
2		31300-LCA1-E00	MOTOR ASSY	MOTOR ASSY	1		
3		50350-LDB4-900	CONNECTOR MISSION	CONNECTOR MISSION	1	5.20	
4		94050-08080-G	NUT FLANGE 8MM (C)	NUT FLANGE 8MM (C)	4	0.49	
6		94510-19000	CIRCLIP EX 1.9	CIRCLIP EX 1.9	2	2.12	
5		96600-06020-06	SOCKET BOLT 6*20(G)	SOCKET BOLT 6*20(G)	1	0.77	



F01

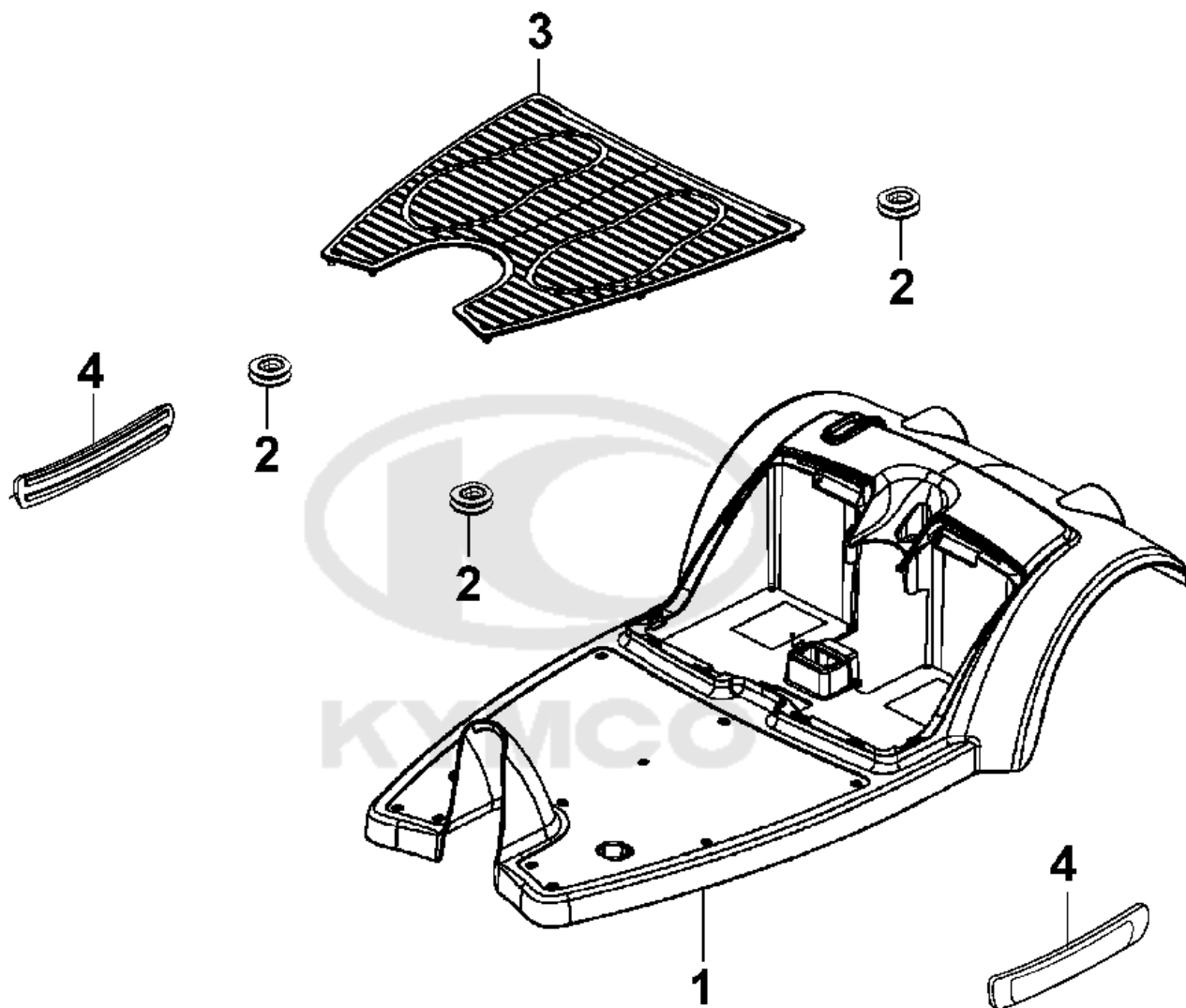
Handle Steering



Sales mark	Ref no	Part no	Description	Reg description	Regd no	Ref Price	F01
	3	35110-LAC5-900	SPEED KNOB ALT 35110-LHD7-900	SPEED KNOB ALT 35110-LHD7-900	1	5.20	
	6	35180-LAC5-900	SW UNIT HORN **(2) C.2007.02.05	SW UNIT HORN **(2) C.2007.02.05	1	6.50	
	1	5010A-LCA1-E01	LOCK ASSY HANDLE	LOCK ASSY HANDLE	1		
	14	50150-LAE9-E00	ORDER 50150-LHD7-900	ORDER 50150-LHD7-900	1	16.25	
	9	5310C-LCA1-E00	HANDLE ASSY **(0) C.2006.02.15	HANDLE ASSY **(0) C.2006.02.15	1		
	2	53125-LAC5-900	COLLAR HANDLE SET	COLLAR HANDLE SET	1	3.25	
	10	53166-LAE9-E00	HAND GRIP	HAND GRIP	2	3.25	
**	8	53206-LAE9-E00	COVER RR HANDLE **(0) C.2005.05.01	COVER RR HANDLE **(0) C.2005.05.01	1		
	5	88120-LAC5-910	MIRROR ASSY BACK	MIRROR ASSY BACK	1	16.25	
	12	88130-LAC5-900	CAP HANDLE PIPE	CAP HANDLE PIPE	2	5.00	
	13	90302-LLB1-E00	BOLT WASHER 5*12 **(1) C.2005.06.28	BOLT WASHER 5*12 **(1) C.2005.06.28	1	0.68	
	4	90309-GLW0-90A	NUT U FLANGE 8MM **(0) C.2009.03.05	NUT U FLANGE 8MM **(0) C.2009.03.05	1	0.85	
	16	93500-04014-0G	SCREW PAN 4*14	SCREW PAN 4*14	4	0.25	
	11	93903-34380-G	SCREW TAPPING 4x12	SCREW TAPPING 4x12	1	3.25	
	15	95701-08050-06	BOLT FLANGE 8*50	BOLT FLANGE 8*50	1	0.71	

F02

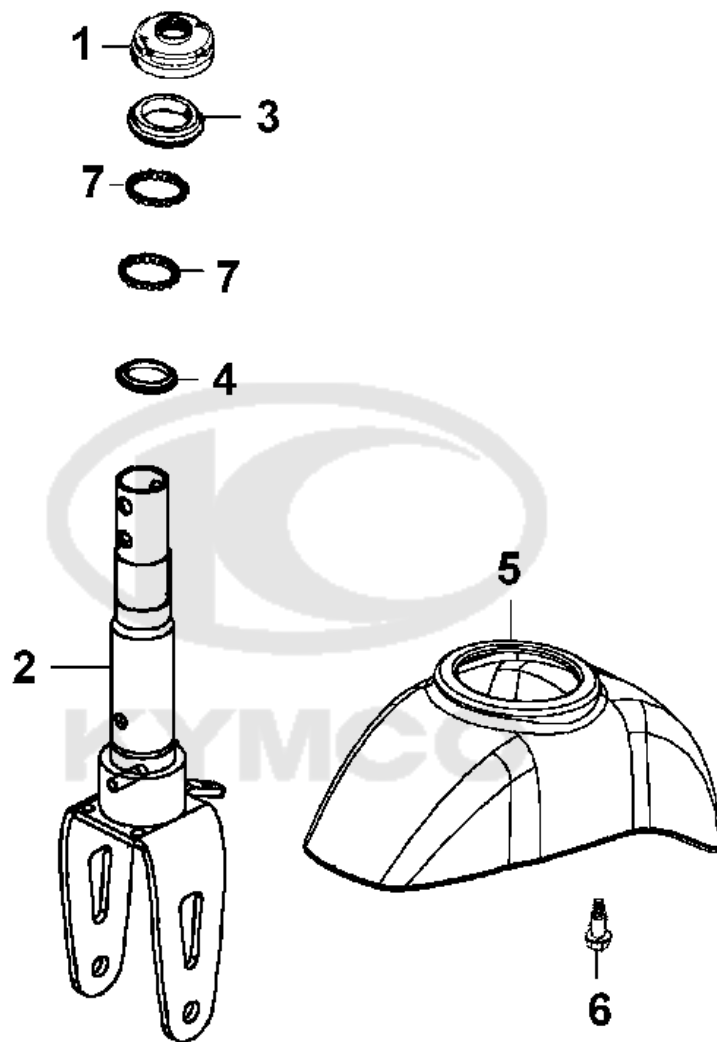
Floor Panel



Sales mark	Ref no	Part no	Description	Reg description	Regd no	Ref Price	F02
------------	--------	---------	-------------	-----------------	---------	-----------	-----

**	1	64310-LCA1-E00	FLOOR PANEL **(0) C.2006.01.27	FLOOR PANEL **(0) C.2006.01.27	1		
	4	64311-LAE9-E00	Obsolete	Obsolete	2		
**	3	64320-LCA1-E00	MAT FLOOR **(0) C.2005.05.01	MAT FLOOR **(0) C.2005.05.01	1		
	2	83551-KKAK-900	GROMMET AIR/C CASE **KAK-9000	GROMMET AIR/C CASE **KAK-9000	3	0.64	



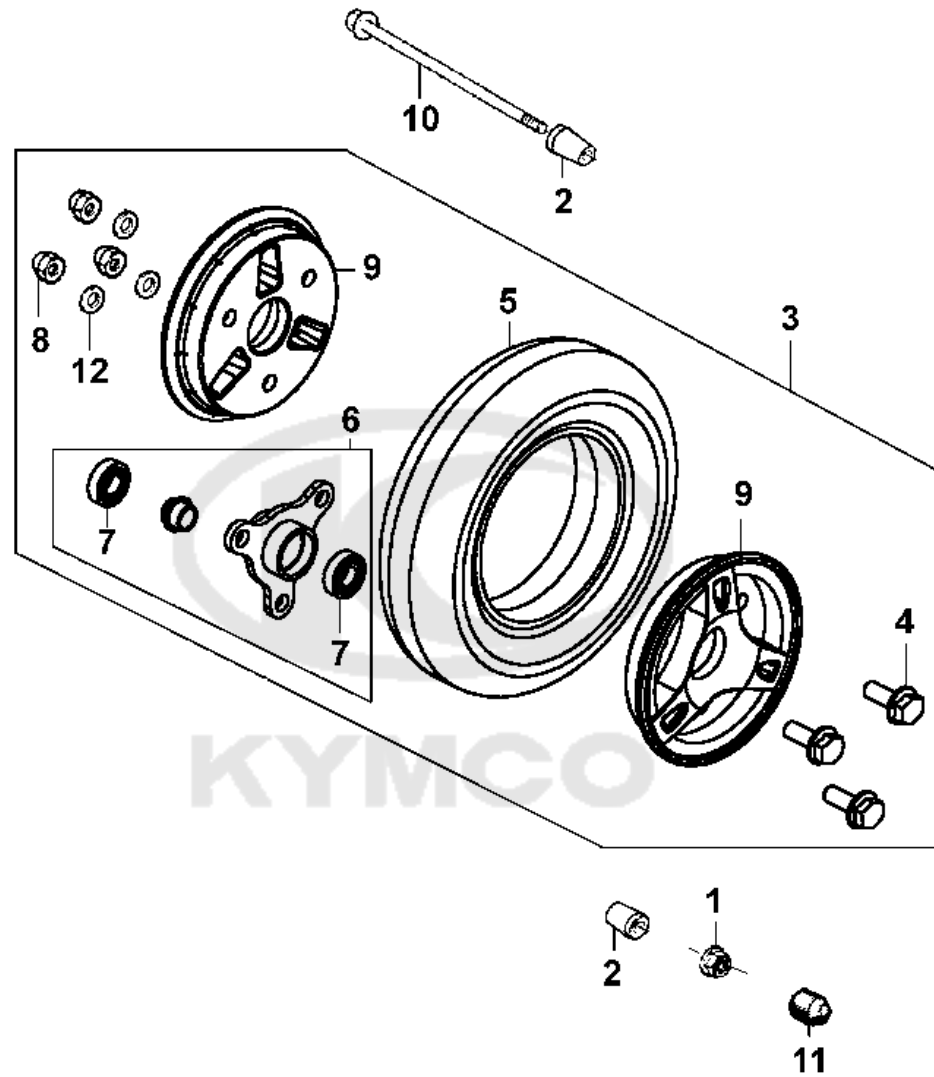


Sales mark	Ref no	Part no	Description	Reg description	Regd no	Ref Price	F03
1		50306-LCA1-E00	NUT STEERING STEM LOCK **(1)	NUT STEERING STEM LOCK **(1)	1		
2		5320B-LCA1-E00	STEM ASSY STRG **(0) C.2006.02.15	STEM ASSY STRG **(0) C.2006.02.15	1		
3		53211-LCA1-E00	ORDER 53211-LCA1-C00	ORDER 53211-LCA1-C00	1	5.00	
4		53212-LDB4-004	ORDER 53212-GHC8-004	ORDER 53212-GHC8-004	1	3.25	
**	5	61100-LCA1-E00	FENDER FR **(0) C.2005.05.01	FENDER FR **(0) C.2005.05.01	1		
6		93891-05012-06	SCREW WASHER 5*12	SCREW WASHER 5*12	1	0.25	
7		96211-05000	BALL BEARING PACK OF 100	BALL BEARING PACK OF 100	55	3.25	



F04

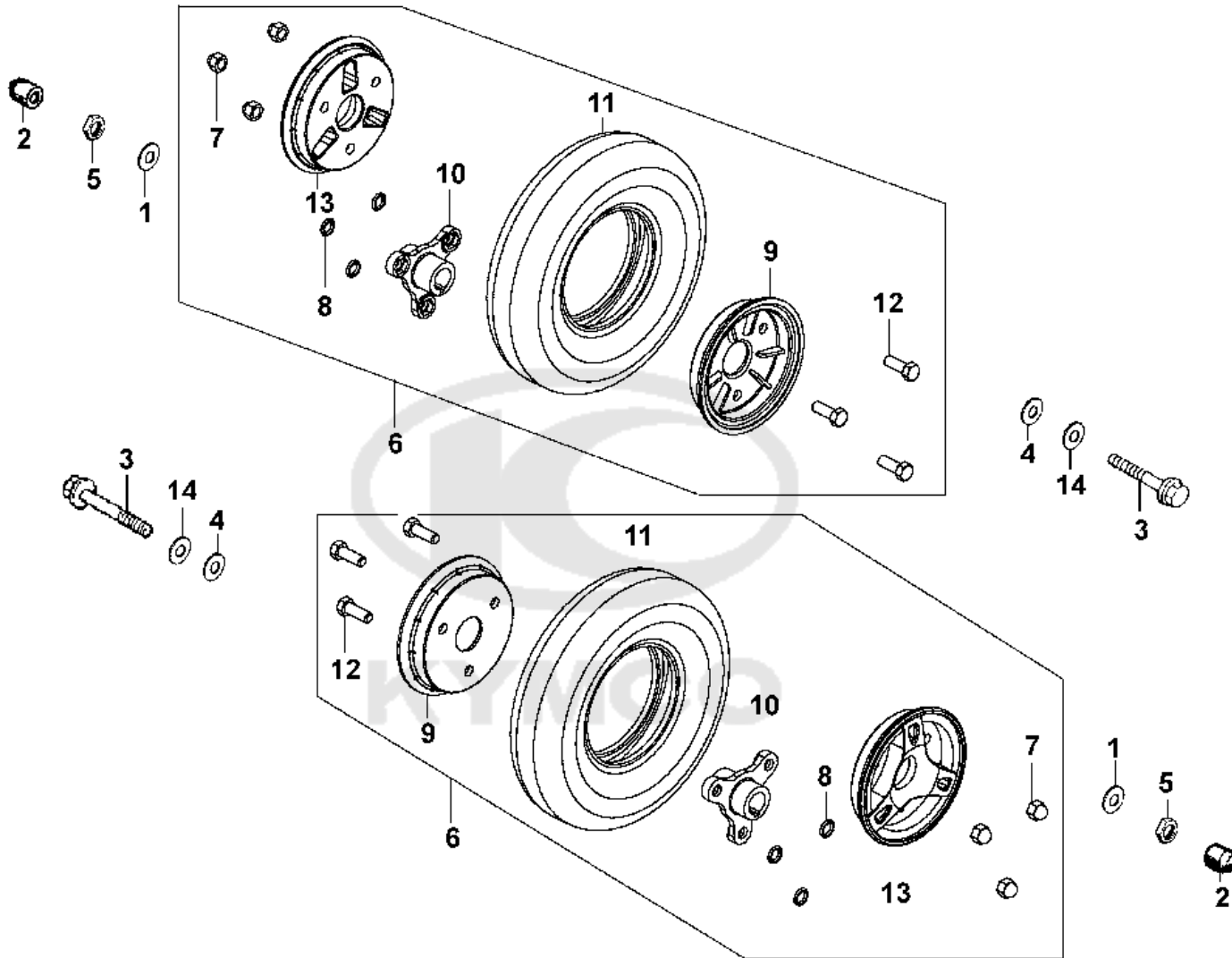
Front Wheel



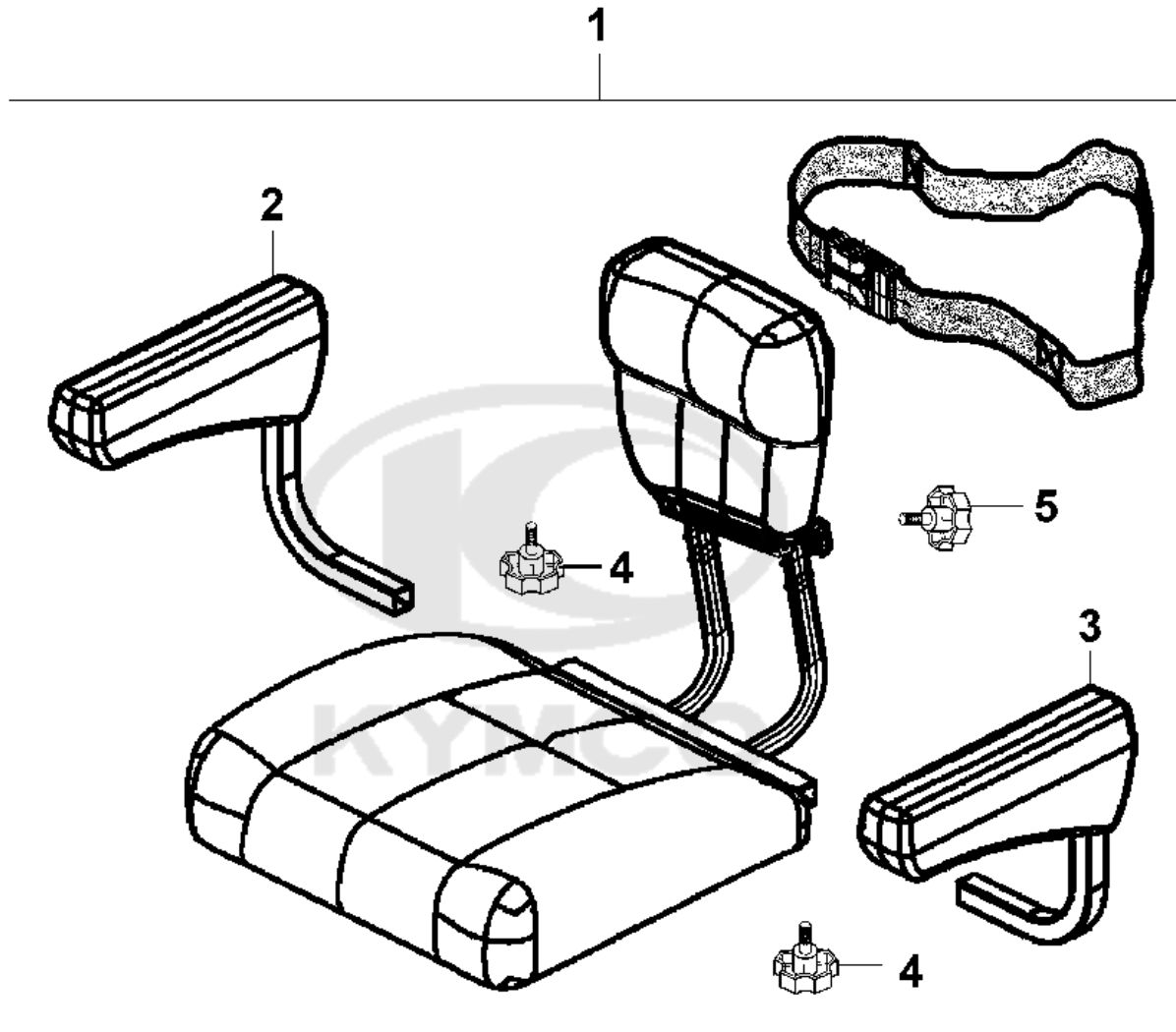
Sales mark	Ref no	Part no	Description	Reg description	Regd no	Ref Price	F04
	2	44311-LCA1-E00	COLLAR FR SIDE WHEEL **(0)	COLLAR FR SIDE WHEEL **(0)	2		
**	11	44315-LCA1-E00	CAP FR AXLE	CAP FR AXLE	1	3.25	
	3	44600-LCA1-E00	WHEEL ASSY FR **(0) C.2005.03.01	WHEEL ASSY FR **(0) C.2005.03.01	1		
	6	44650-LCA1-E00	WHEEL COMP FR **(0) C.2005.03.01	WHEEL COMP FR **(0) C.2005.03.01	1		
	9	44701-LCA1-E00	RIM CAST FR **(0) C.2005.03.01	RIM CAST FR **(0) C.2005.03.01	2		
	5	4471A-LCA1-E00	TIRE ASSY FR	TIRE ASSY FR	1		
	1	90304-GLW0-90A	NUT U FLANGE 10MM **(0)	NUT U FLANGE 10MM **(0) C.2005.12.14	1	0.68	
	8	94021-08020-0S	NUT HEX CAP 8MM	NUT HEX CAP 8MM	3	3.25	
	12	94111-08800	WASHER SPRING 8MM	WASHER SPRING 8MM	3	0.33	
	4	95701-08025-06	BOLT FLANGE 8*25	BOLT FLANGE 8*25	1	0.47	
	10	95801-10075-08	BOLT FLANGE 10X75	BOLT FLANGE 10X75	1	0.83	
	7	96130-69000-00	BEARING BALL RADIAL 6900ZZ	BEARING BALL RADIAL 6900ZZ	2	3.25	

F05

Rear Wheel



Sales mark	Ref no	Part no	Description	Reg description	Regd no	Ref Price	F05
	2	42315-LAC5-900	CAP RR AXLE **(0) C.2003.10.22	CAP RR AXLE **(0) C.2003.10.22	2	3.25	
	6	42600-LCA1-E00	WHEEL ASSY RR **(0) C.2006.01.27	WHEEL ASSY RR **(0) C.2006.01.27	2		
	9	42702-LCA1-E00	RIM COMP RR **(0) C.2005.03.01	RIM COMP RR **(0) C.2005.03.01	2		
	1	42705-LCA1-E00	PLAIN WASHER 8*26	PLAIN WASHER 8*26	2	3.25	
	10	42707-LCA1-E00	CONNECTOR RR WHEEL **(0)	CONNECTOR RR WHEEL **(0)	2		
	13	44701-LCA1-E00	RIM CAST FR **(0) C.2005.03.01	RIM CAST FR **(0) C.2005.03.01	2		
	11	4471A-LCA1-E00	TIRE ASSY FR	TIRE ASSY FR	2		
	3	90131-LCA1-E00	BOLT FLANGE 8*16	BOLT FLANGE 8*16	2	3.25	
	5	90304-GLW0-90A	NUT U FLANGE 10MM **(0)	NUT U FLANGE 10MM **(0) C.2005.12.14	2	0.68	
	12	92201-08022-0H	BOLT HEX 8*22 **(0) C.2006.02.15	BOLT HEX 8*22 **(0) C.2006.02.15	6		
	7	94021-08020-0S	NUT HEX CAP 8MM	NUT HEX CAP 8MM	6	3.25	
	8	94101-08800	WASHER PLAIN 8MM	WASHER PLAIN 8MM	6	0.51	
	14	94103-08800	WASHER PLAIN 8MM	WASHER PLAIN 8MM	2	0.38	
	4	94111-08800	WASHER SPRING 8MM	WASHER SPRING 8MM	2	0.33	



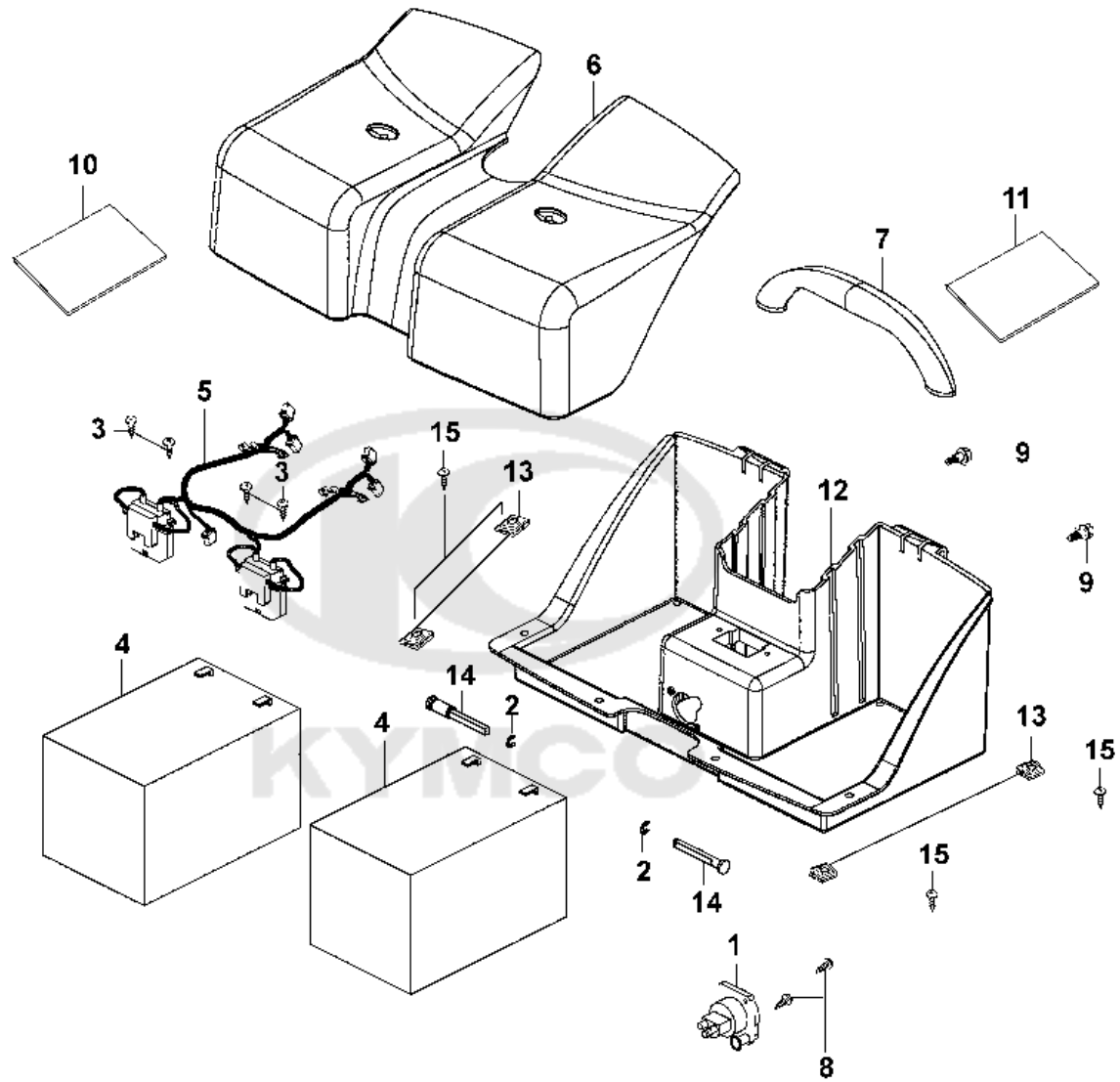
Sales mark	Ref no	Part no	Description	Reg description	Regd no	Ref Price	F06
------------	--------	---------	-------------	-----------------	---------	-----------	-----

2		77100-LCA1-E00	ORDER 77100-LCA1-C00	ORDER 77100-LCA1-C00	1		
1		77200-LCA1-E00	SEAT ASSY **(3) C.2006.01.27	SEAT ASSY **(3) C.2006.01.27	1		
5		77214-LCA1-E00	BOLT LOCK PLATE BACK	BOLT LOCK PLATE BACK	1		
4		77223-LCA1-305	BOLT LOCK ARM REST	BOLT LOCK ARM REST	2	3.25	
3		77300-LCA1-E00	ORDER 77300-LCA1-C00	ORDER 77300-LCA1-C00	1		

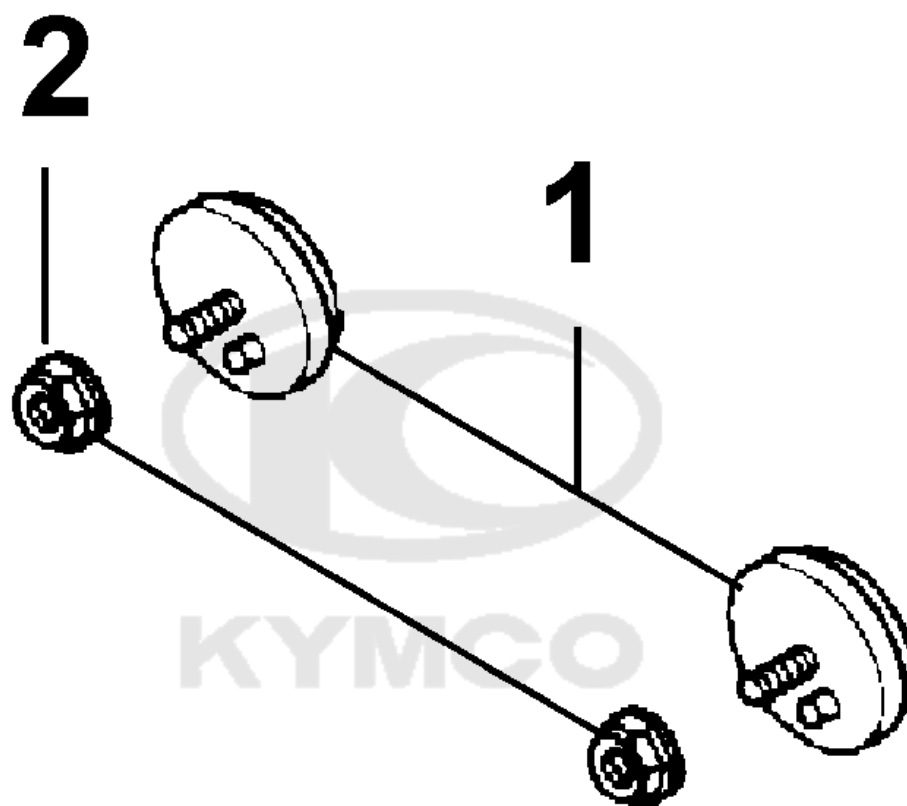


F07

Battery



Sales mark	Ref no	Part no	Description	Reg description	Regd no	Ref Price	F07
	4	31500-LAE9-E0A	BATTERY 12V 12AH/YUASA **(0)	BATTERY 12V 12AH/YUASA **(0)	2		
	5	32201-LCA1-E00	CONNECT CORD BATTERY	CONNECT CORD BATTERY	2	18.20	
	1	32620-LAE9-E00	SOCKET CHARGER	SOCKET CHARGER	1	8.45	
	12	50325-LCA1-E00	CASE BATTERY	CASE BATTERY	1	16.25	
**	6	50326-LCA1-E00	COVER BATTERY **(0) C.2005.03.01	COVER BATTERY **(0) C.2005.03.01	1	16.25	
	7	50329-LAE9-E00	GRIP ALT 50329-LAE9-E01	GRIP ALT 50329-LAE9-E01	1		
	10	50331-LAE9-E00	DUAL LOCK M	DUAL LOCK M	1	3.25	
	11	50332-LAE9-E00	DUAL LOCK F **(0) C.2005.03.01	DUAL LOCK F **(0) C.2005.03.01	1		
	14	83764-KECE-901	PIN CENTER **KCE-901 C.2005.03.01	PIN CENTER **KCE-901 C.2005.03.01	2		
	9	90302-GFY6-911	BOLT-WASH 5*12	BOLT-WASH 5*12	2	3.25	
	13	90677-LAC5-005	NUT CLIP 5MM (C) ALT 90677-GAR1-	NUT CLIP 5MM (C) ALT 90677-GAR1-004	6	3.25	
	8	93600-02008-0A	SCREW FLAT 2.5*8	SCREW FLAT 2.5*8	2	3.25	
	15	93891-05012-06	SCREW WASHER 5*12	SCREW WASHER 5*12	4	0.25	
	3	93903-34380-G	SCREW TAPPING 4x12	SCREW TAPPING 4x12	1	3.25	
	2	94540-05018	E RING 5	E RING 5	2	2.02	



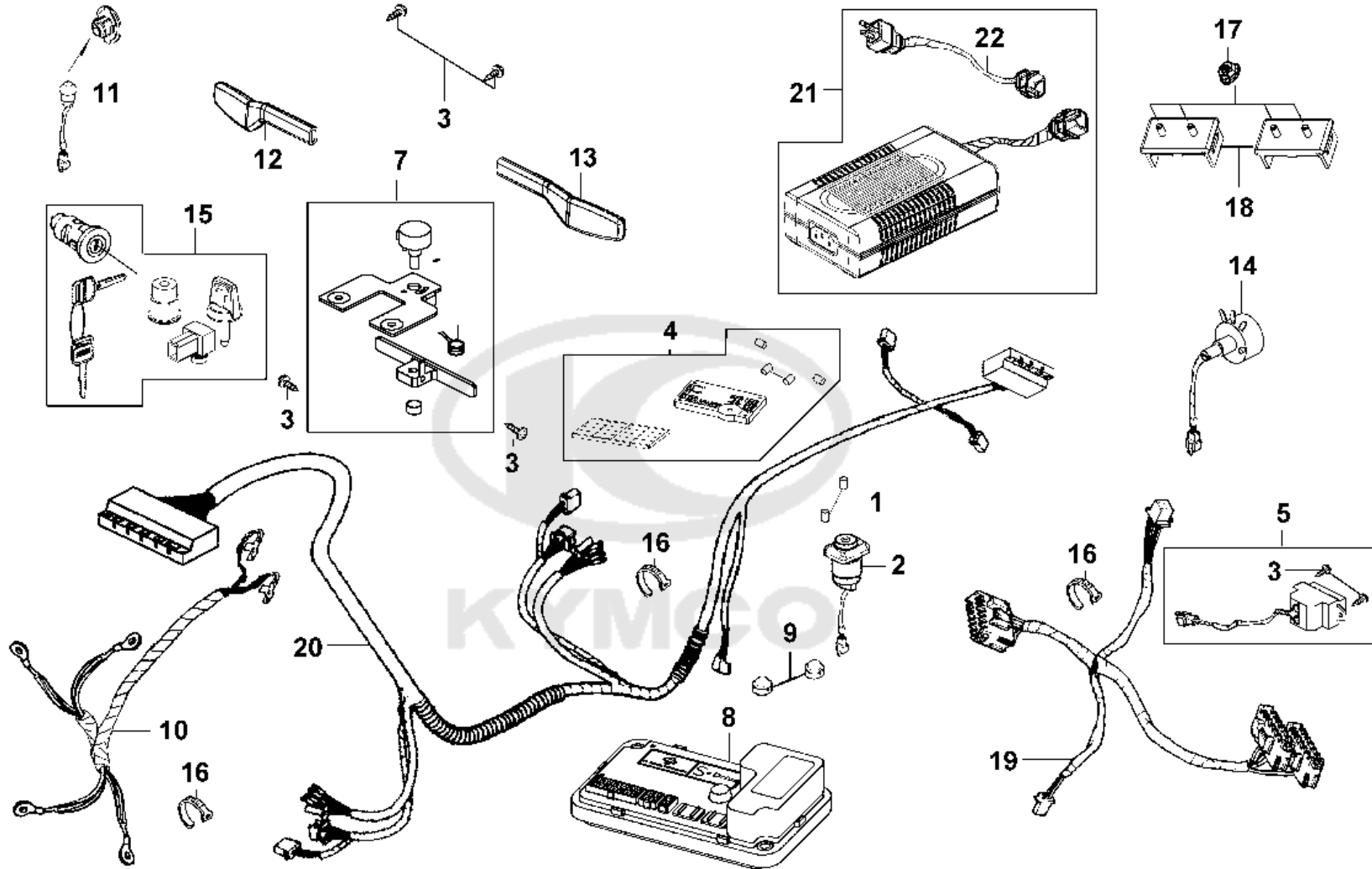
Sales mark	Ref no	Part no	Description	Reg description	Regd no	Ref Price	F08
------------	--------	---------	-------------	-----------------	---------	-----------	------------

1		33731-KFA6-M00	USE 33731-KFA6-C00	USE 33731-KFA6-C00	2	3.25	
2		94050-06080-G	NUT FLANGE 6MM	NUT FLANGE 6MM	2	0.49	



F09

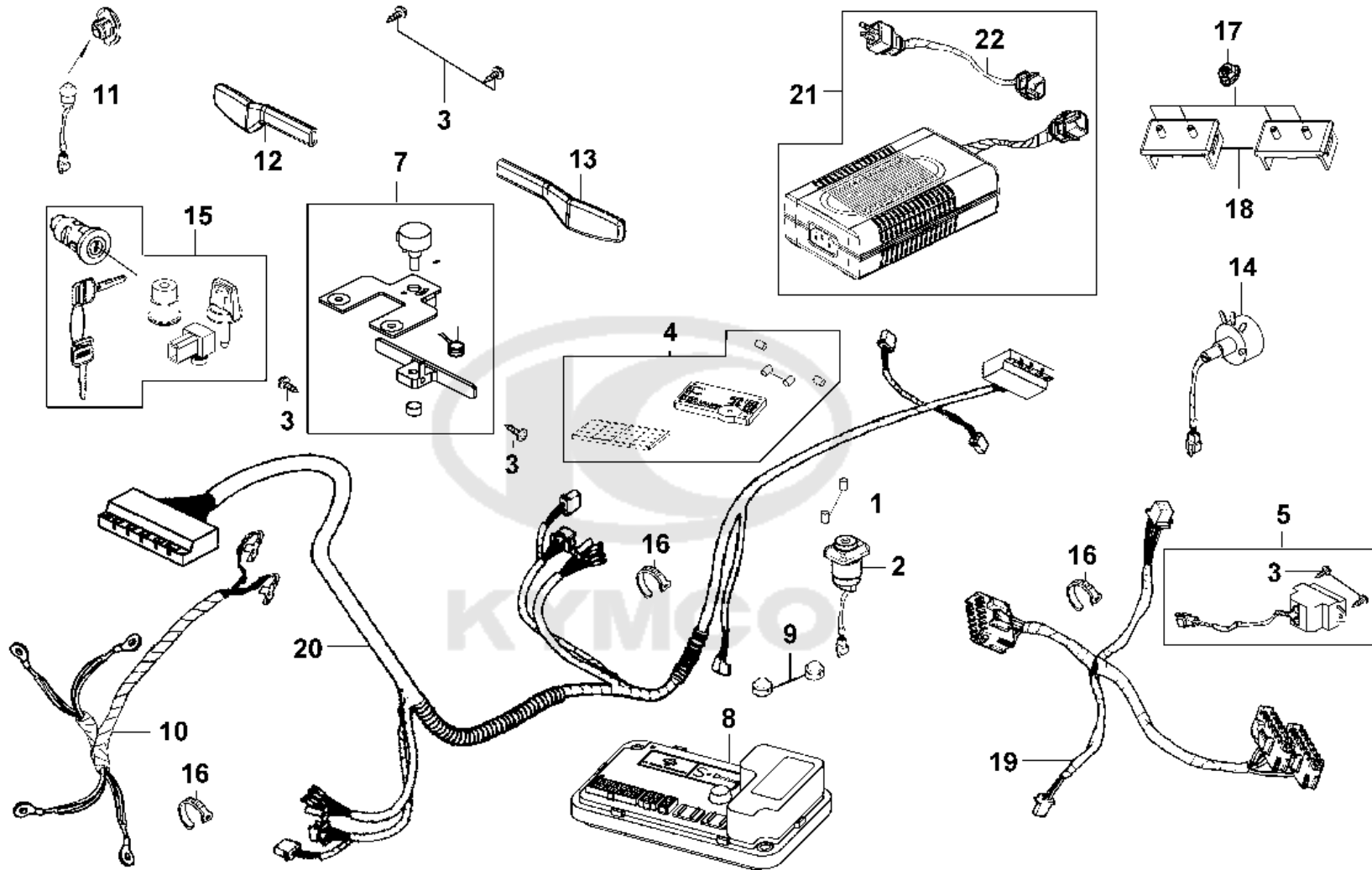
Harness Wire



Sales mark	Ref no	Part no	Description	Reg description	Regd no	Ref Price	F09
	22	31280-LAC5-E20	CORD AC POWER	CORD AC POWER	1	6.50	
	21	31800-LAE9-E20	BATTERY CHARGER ASSY	BATTERY CHARGER ASSY	1	70.00	
	20	32100-LCA1-E00	HARNESS WIRE **(0) C.2006.01.27	HARNESS WIRE **(0) C.2006.01.27	1		
	19	32101-LCA1-E00	SUB HARNESS A **(0) C.2006.01.27	SUB HARNESS A **(0) C.2006.01.27	1		
	10	32404-LCA1-E00	POWER CORD **(0) C.2006.01.27	POWER CORD **(0) C.2006.01.27	1		
	18	32610-LAE9-E00	COUPLER M BATTERY	COUPLER M BATTERY	2	13.00	
	2	32620-LAE9-E01	SOCKET CHARGER	SOCKET CHARGER	1	8.45	
	7	34010-LAC5-900	THROTTLE	THROTTLE	1	39.00	
	15	35101-LAE9-E00	AIT 35101-LAE9-E01	AIT 35101-LAE9-E01	1	16.25	
	14	35115-LAE9-E00	VARIABLE RESISTER 25K OHM	VARIABLE RESISTER 25K OHM	1	13.00	
	8	36000-LCA1-E00	ELEC CONTROLLER UNIT **(0)	ELEC CONTROLLER UNIT **(0)	1	150.00	
	4	36100-LAE9-E00	CONTROL METER	CONTROL METER	1		
	13	36108-LAE9-E01	LEVER RH THROTTLE **(0)	LEVER RH THROTTLE **(0) C.2005.03.01	1		
	12	36109-LAE9-E01	LEVER LH THROTTLE **(0)	LEVER LH THROTTLE **(0) C.2005.03.01	1		
	11	36110-LAE9-E00	LED	LED	1	3.25	
	5	37806-LAE9-E00	VU METER	VU METER	1	16.25	
	16	90656-KCBC-900	BAND OIL HANDLE **9000 C.2005.03.01	BAND OIL HANDLE **9000 C.2005.03.01	3	0.50	
	1	93600-02008-0A	SCREW FLAT 2.5*8	SCREW FLAT 2.5*8	2	3.25	
	3	93901-32120	SCREW TAPPING 3*8 **(1) C.V.	SCREW TAPPING 3*8 **(1) C.V.	4	0.26	
	9	94001-04080-0S	NUT HEX 4MM	NUT HEX 4MM	2	3.25	

F09

Harness Wire



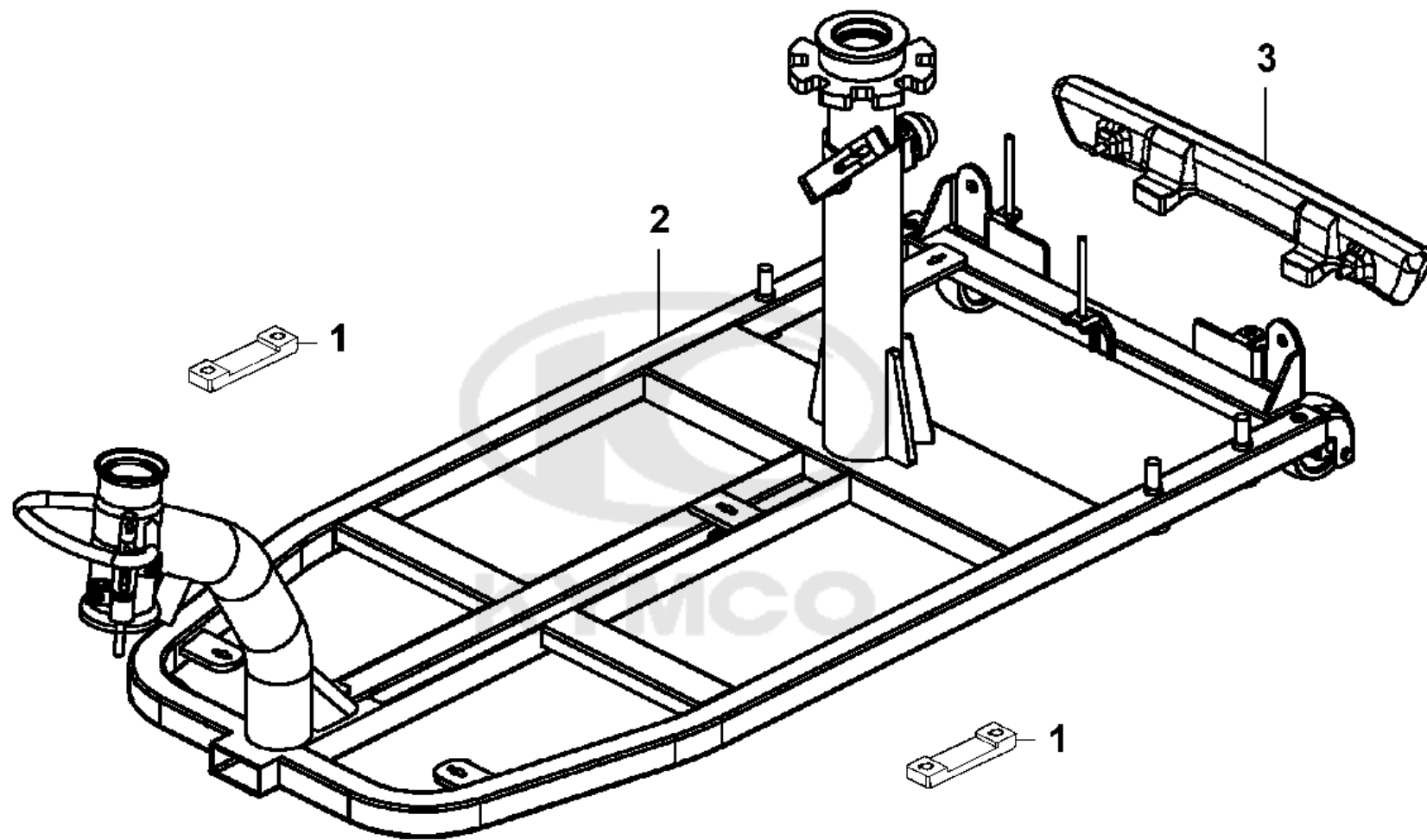
Sales mark	Ref no	Part no	Description	Reg description	Regd no	Ref Price	F09
------------	--------	---------	-------------	-----------------	---------	-----------	------------

17	94050-06080-G	NUT FLANGE 6MM	NUT FLANGE 6MM	NUT FLANGE 6MM	4	0.49	
----	---------------	----------------	----------------	----------------	---	------	--



F10

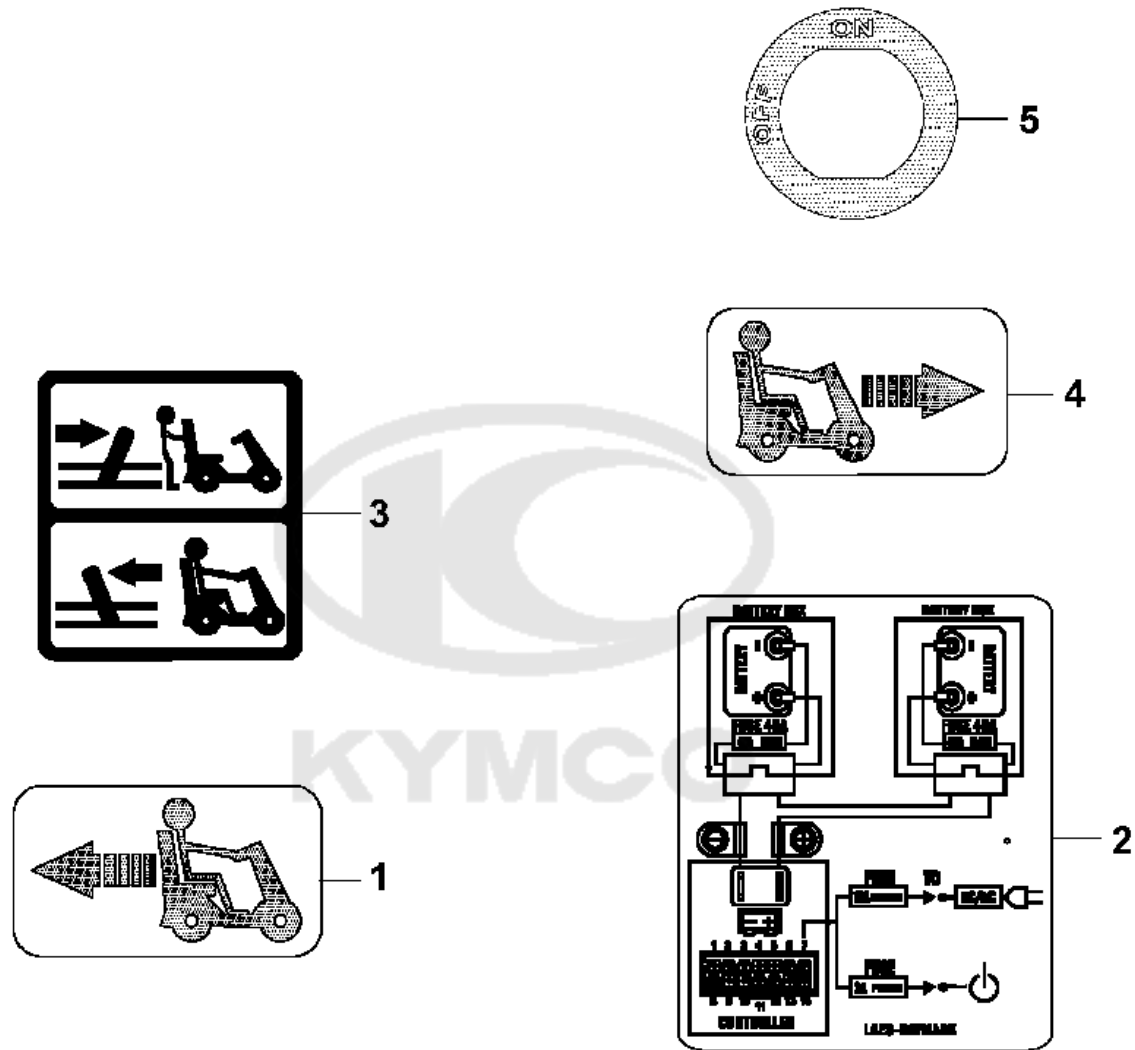
Frame Body



Sales mark	Ref no	Part no	Description	Reg description	Regd no	Ref Price	F10
------------	--------	---------	-------------	-----------------	---------	-----------	-----

2		5011A-LCA1-E00	FRAME ASSY **(5) C.2006.01.27	FRAME ASSY **(5) C.2006.01.27	1		
1		50305-LAE9-E00	RUBBER MOTOR	RUBBER MOTOR	2	4.55	
3		83751-LCA1-E00	BUMPER RR **(0) C.2006.01.27	BUMPER RR **(0) C.2006.01.27	1		



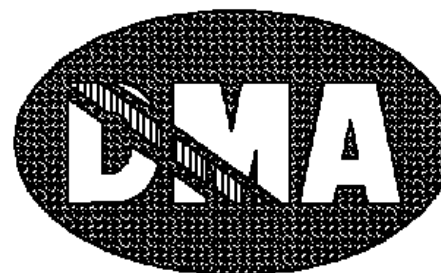


Sales mark	Ref no	Part no	Description	Reg description	Regd no	Ref Price	F11
**	3	87501-LAE9-E00	USE CAUTION SILVER	USE CAUTION SILVER	1	3.25	
**	4	87560-LAE9-E00	MARK R DRIVE CAUTION	MARK R DRIVE CAUTION	1	3.25	
**	5	87564-LAE9-E00	Obsolete	Obsolete	1		
**	1	87660-LAE9-E00	MARK L DRIVE CAUTION	MARK L DRIVE CAUTION	1	3.25	





1



2



3

Sales mark	Ref no	Part no	Description	Reg description	Regd no	Ref Price	F12
------------	--------	---------	-------------	-----------------	---------	-----------	-----

**	1	86020-LAC5-E20	EMB DMA STRIDER	EMB DMA STRIDER	1		
**	2	86102-LAC5-E20	Obsolete	Obsolete	1		
**	3	86407-LAE9-E00	STRIPE METER	STRIPE METER	1	3.25	



PART NO. INDEX

PART NO.	VERSION	PAGE	PART NO.	VERSION	PAGE	PART NO.	VERSION	PAGE
10000			34000			42000		
1000A-LCA1-E00	3	E01	34010-LAC5-900	7	F09	42315-LAC5-900	3	F05
31000			35000			42600-LCA1-E00	4	F05
31280-LAC5-E20	2	F09	35101-LAE9-E00	3	F09	42702-LCA1-E00	2	F05
31300-LCA1-E00	3	E01	35110-LAC5-900	5	F01	42705-LCA1-E00	2	F05
31500-LAE9-E0A	1	F07	35115-LAE9-E00	1	F09	42707-LCA1-E00	3	F05
31800-LAE9-E20	1	F09	35180-LAC5-900	4	F01	44000		
32000			36000			44311-LCA1-E00	1	F04
32100-LCA1-E00	4	F09	36000-LCA1-E00	1	F09	44315-LCA1-E00	2	F04
32101-LCA1-E00	4	F09	36100-LAE9-E00	1	F09	44600-LCA1-E00	5	F04
32201-LCA1-E00	3	F07	36108-LAE9-E01	1	F09	44650-LCA1-E00	2	F04
32404-LCA1-E00	3	F09	36109-LAE9-E01	1	F09	44701-LCA1-E00	3	F04
32610-LAE9-E00	2	F09	36110-LAE9-E00	3	F09	44701-LCA1-E00	3	F05
32620-LAE9-E00	1	F07				4471A-LCA1-E00	3	F04
32620-LAE9-E01	1	F09	37000			4471A-LCA1-E00	3	F05
33000			37806-LAE9-E00	3	F09	50000		
33731-KFA6-M00	1	F08				5010A-LCA1-E01	0	F01
						5011A-LCA1-E00	7	F10
						50150-LAE9-E00	1	F01
						50305-LAE9-E00	3	F10

PART NO. INDEX

PART NO.	VERSION	PAGE	PART NO.	VERSION	PAGE	PART NO.	VERSION	PAGE
50306-LCA1-E00	2	F03	64311-LAE9-E00	2	F02	87508-LCA1-E00	3	F11
50325-LCA1-E00	3	F07	64320-LCA1-E00	1	F02	87560-LAE9-E00	3	F11
50326-LCA1-E00	1	F07				87564-LAE9-E00	4	F11
50329-LAE9-E00	2	F07	77000			87660-LAE9-E00	3	F11
50331-LAE9-E00	1	F07						
50332-LAE9-E00	1	F07	77100-LCA1-E00	2	F06	88000		
50350-LDB4-900	2	E01	77200-LCA1-E00	4	F06			
			77214-LCA1-E00	0	F06	88120-LAC5-910	4	F01
53000			77223-LCA1-305	2	F06	88130-LAC5-900	2	F01
			77300-LCA1-E00	2	F06			
5310C-LCA1-E00	1	F01				90000		
53125-LAC5-900	6	F01	83000					
53166-LAE9-E00	3	F01				90131-LCA1-E00	2	F05
53205-LAE9-E00	0	F01	83551-KKAK-900	0	F02	90302-GFY6-911	1	F07
53206-LAE9-E00	9	F01	83751-LCA1-E00	3	F10	90302-LLB1-E00	2	F01
5320B-LCA1-E00	3	F03	83764-KECE-901	0	F07	90304-GLW0-90A	1	F04
53211-LCA1-E00	1	F03				90304-GLW0-90A	1	F05
53212-LDB4-004	1	F03	86000			90309-GLW0-90A	1	F01
						90656-KCBC-900	0	F09
61000			86020-LAC5-E20	1	F12	90677-LAC5-005	1	F07
			86102-LAC5-E20	1	F12			
61100-LCA1-E00	1	F03	86407-LAE9-E00	2	F12	92000		
64000			87000			92201-08022-0H	1	F05
64310-LCA1-E00	4	F02	87501-LAE9-E00	3	F11			

PART NO. INDEX

PART NO.	VERSION	PAGE	PART NO.	VERSION	PAGE	PART NO.	VERSION	PAGE
93000			95000					
93500-04014-0G	0	F01	95701-08025-06	0	F04			
93600-02008-0A	0	F07	95701-08050-06	0	F01			
93600-02008-0A	0	F09	95801-10075-08	0	F04			
93891-05012-06	0	F03						
93891-05012-06	0	F07	96000					
93901-32120	1	F09						
93903-34380-G	0	F01	96130-69000-00	0	F04			
93903-34380-G	0	F07	96211-05000	26	F03			
			96600-06020-06	0	E01			
94000								
94001-04080-0S	0	F09						
94021-08020-0S	0	F04						
94021-08020-0S	0	F05						
94050-06080-G	1	F08						
94050-06080-G	1	F09						
94050-08080-G	1	E01						
94101-08800	0	F05						
94103-08800	0	F05						
94111-08800	0	F04						
94111-08800	0	F05						
94510-19000	0	E01						
94540-05018	0	F07						