

PARTS CATALOGUE



MOBILITY SCOOTER

EV10GB(UK)

Strider-days



Release Date : 1899/12/31
Print Date : 2019/11/04

ABOUT THIS PARTS LIST

- This parts list is compiled all service parts for model EV10GB(UK).
- Any difference between color chart and motorcycle will be revised according to motorcycle.
- The Mark:
 1. Marking "***" must add color code in the end before ordering parts.
 2. Marking "#" are parts with modification, Please find the details from e-Parts system.
- When modification or additions to this parts list are made a revised edition at an appropriate time.



CONTENTS

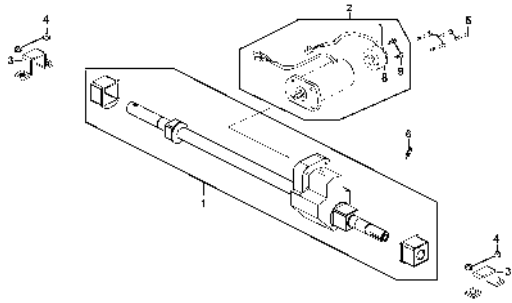
● ABOUT THIS PARTS LIST	1
● COLOR CHART OF EV10GB(UK)	3
● CONTENTS-ENGINE GROUP	5
● CONTENTS-FRAME GROUP	6
● ENGINE PARTS LIST	8
● FRAME PARTS LIST	10
● PART NO. INDEX	36

NO	MODEL			COLOR CHART OF EV10GB(UK)			
	PHOTO NO			NO. 1	NO. 2	NO. 3	NO. 4
	BASIC COLOR			Bright Blue	Brownnet	Dark Brown	Burgundy
	CODE			Bright Blue	Brownnet	Dark Brown	Burgundy
	PARTS NAME	PARTS NO.	VERSION	PB107MA	NH005CA	NH005CA	RR132MA
1	CAP FR AXLE	44315-LCA1-E00	2	N1R			
2	MAT FLOOR	64320-LCA1-E00	1				
3	RR GRIP ASSY **(1)	8120A-LDE5-900	2				
4	OBSOLETE	53205-LAE9-E00	0	BAP	N3P		R7P
5	PANEL FLOOR	64310-LDE4-900	3				
6	COVER BODY **(1)	83600-LDE5-900	3				
7	COVER BATTERY	50326-LCA1-E00	1	N8P			
8	FENDER FR **(0)	61100-LCA1-E00	1				
9	COVER RR HANDLE	53206-LAE9-E00	9	NFP			
10	EMB DMA STRIDER	86020-LAC5-E20	1				
11	EMB DAYS LOGO 35MM	86102-LAC5-E21	1	T01			
12	STRIPE METER	86407-LAE9-E00	2				
13	USE CAUTION	87501-LAE9-E00	3				
14	LABEL BATTERY	87508-LCA1-E00	3				
15	MARK R DRIVE	87560-LAE9-E00	3				
16	MARK L DRIVE CAUTION	87660-LAE9-E00	3				
DATE OF STARTING-SALES							
DATE OF END-SALES							

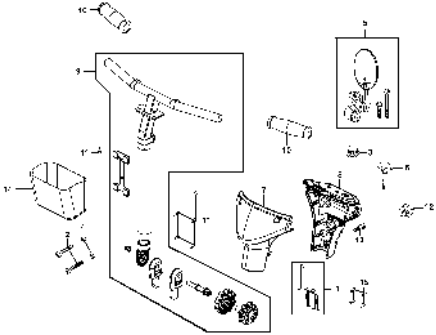
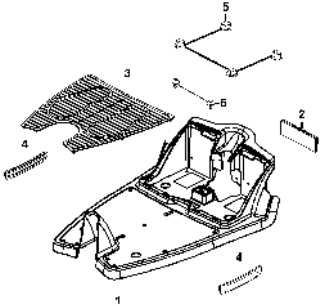
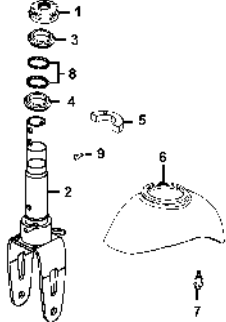
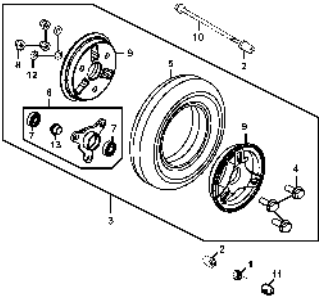
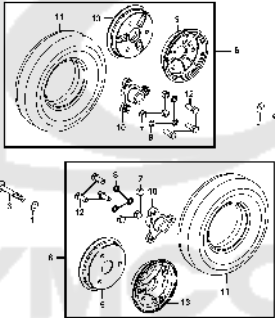
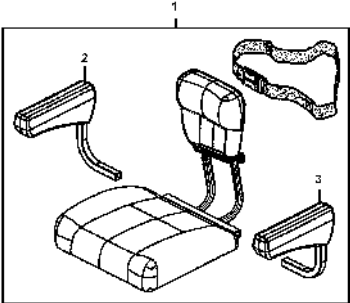
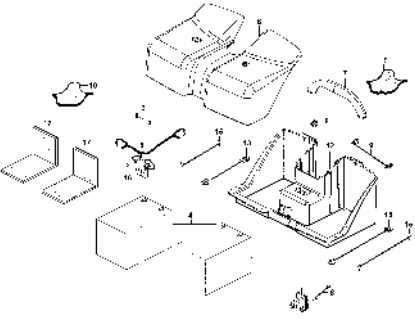
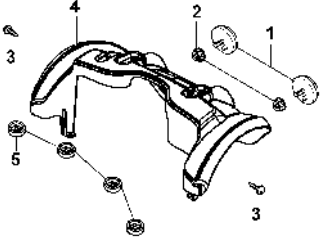
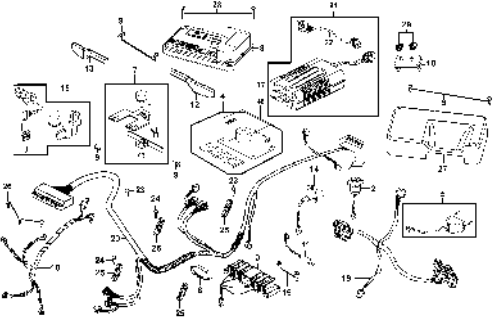
NO	MODEL			COLOR CHART OF EV10GB(UK)			
	PHOTO NO			NO. 5			
	BASIC COLOR			Dark Red			
	CODE			Dark Red			
	PARTS NAME	PARTS NO.	VERSION	RR132MA			
1	CAP FR AXLE	44315-LCA1-E00	2	N1R			
2	MAT FLOOR	64320-LCA1-E00	1				
3	RR GRIP ASSY **(1)	8120A-LDE5-900	2				
4	OBSOLETE	53205-LAE9-E00	0	R7P			
5	PANEL FLOOR	64310-LDE4-900	3				
6	COVER BODY **(1)	83600-LDE5-900	3				
7	COVER BATTERY	50326-LCA1-E00	1	N8P			
8	FENDER FR **(0)	61100-LCA1-E00	1				
9	COVER RR HANDLE	53206-LAE9-E00	9	NFP			
10	EMB DMA STRIDER	86020-LAC5-E20	1				
11	EMB DAYS LOGO 35MM	86102-LAC5-E21	1	T01			
12	STRIPE METER	86407-LAE9-E00	2				
13	USE CAUTION	87501-LAE9-E00	3				
14	LABEL BATTERY	87508-LCA1-E00	3				
15	MARK R DRIVE	87560-LAE9-E00	3				
16	MARK L DRIVE CAUTION	87660-LAE9-E00	3				
DATE OF STARTING-SALES							
DATE OF END-SALES							

CONTENTS - ENGINE GROUP

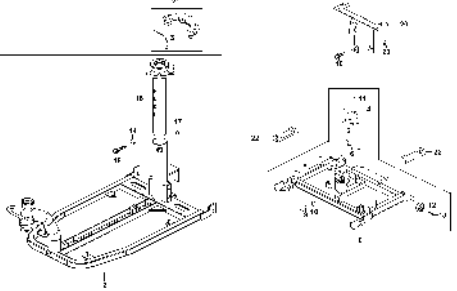
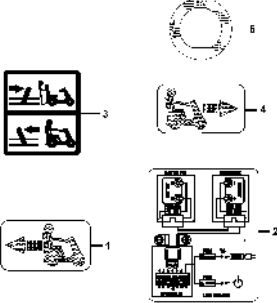
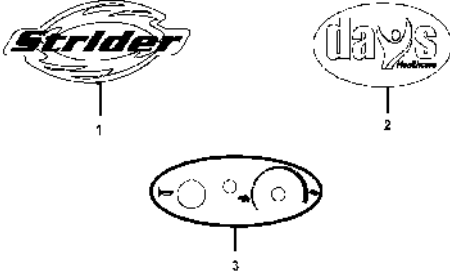

E01 MOTOR ASSY



CONTENTS - FRAME GROUP

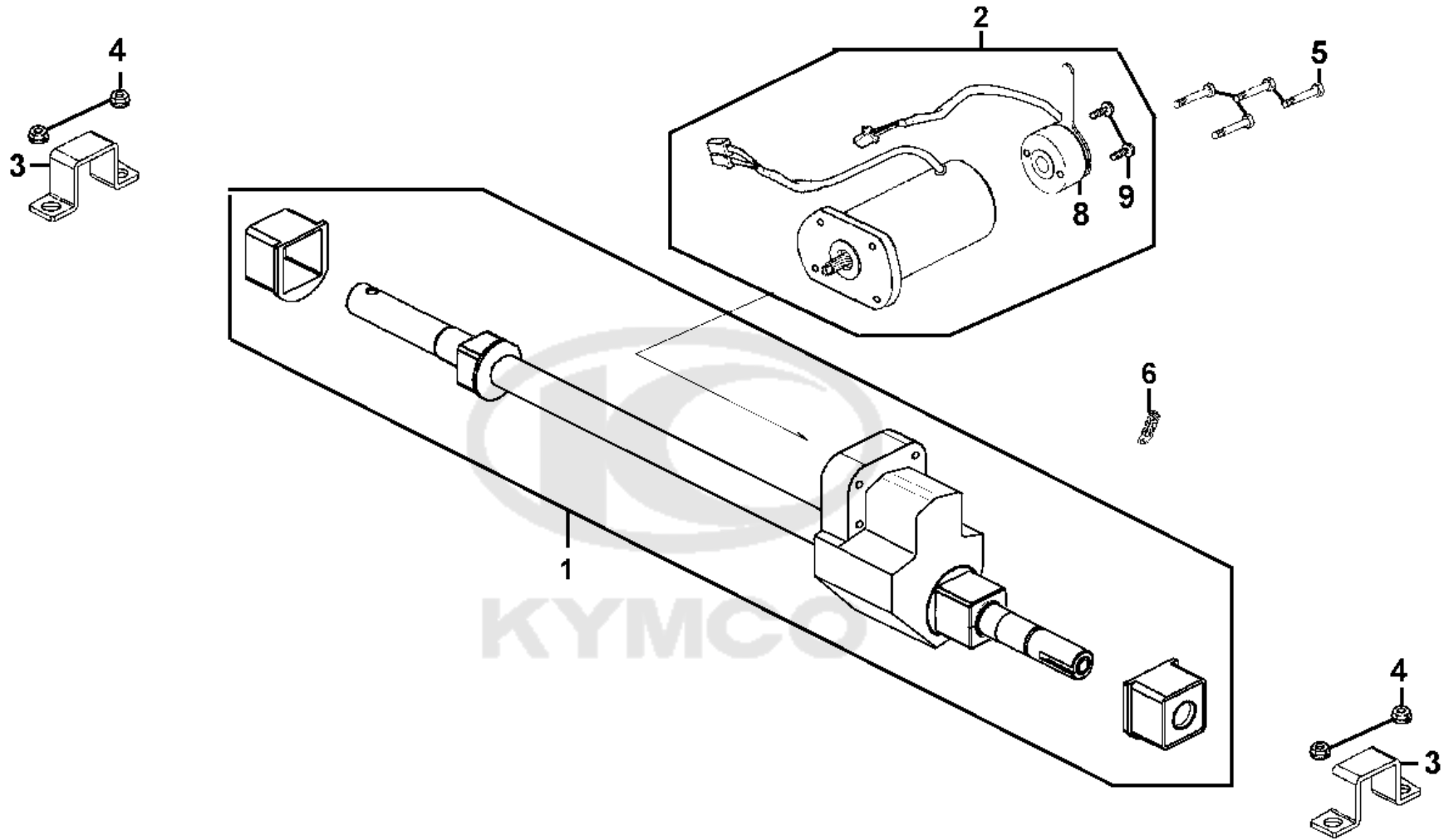
<p>F01 Handle Steering</p>	<p>F02 Floor Panel</p>	<p>F03 Stem Steering</p>
		
<p>F04 Front Wheel</p>	<p>F05 Rear Wheel</p>	<p>F06 Seat</p>
		
<p>F07 Battery</p>	<p>F08 REFLEX REFLECTOR SIDE</p>	<p>F09 Harness Wire</p>
		

CONTENTS - FRAME GROUP

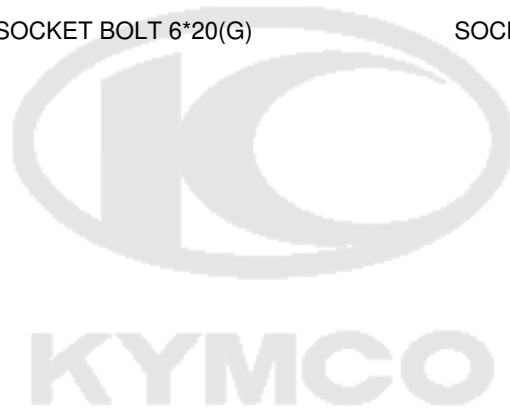
<p>F10 Frame Body</p>	<p>F11 Caution Label</p>	<p>F12 STRIPE</p>
		
		

E01

MOTOR ASSY

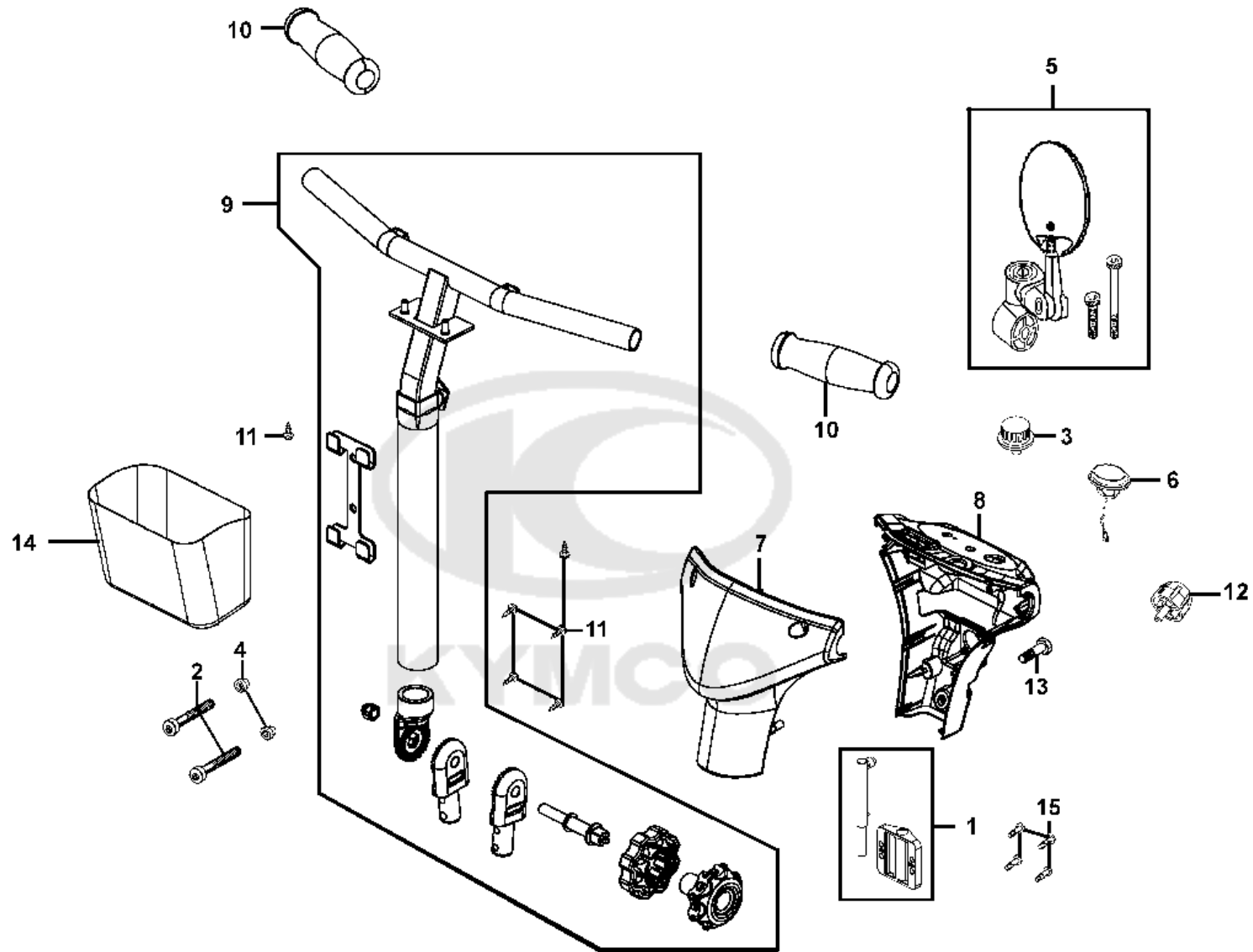


Sales mark	Ref no	Part no	Description	Reg description	Regd no	Ref Price	E01
1		1110A-LCA1-E00	MISSION ASSY	MISSION ASSY	1		
2		31300-LDE4-900	MOTOR ASSY	MOTOR ASSY	1		
8		31350-LCA1-E00	BRAKE ASSY	BRAKE ASSY	1	52.00	
3		50350-LDE5-900	CONNECTOR,GEAR BOX	CONNECTOR,GEAR BOX	2	5.20	
9		93891-04012-06	SCREW WASHER 4*12	SCREW WASHER 4*12	1	0.13	
4		94050-08080-G	NUT FLANGE 8MM (C)	NUT FLANGE 8MM (C)	4	0.49	
6		94591-LCA1-E00	BIND CLIP	BIND CLIP	1		
5		96600-06020-06	SOCKET BOLT 6*20(G)	SOCKET BOLT 6*20(G)	1	0.77	



F01

Handle Steering

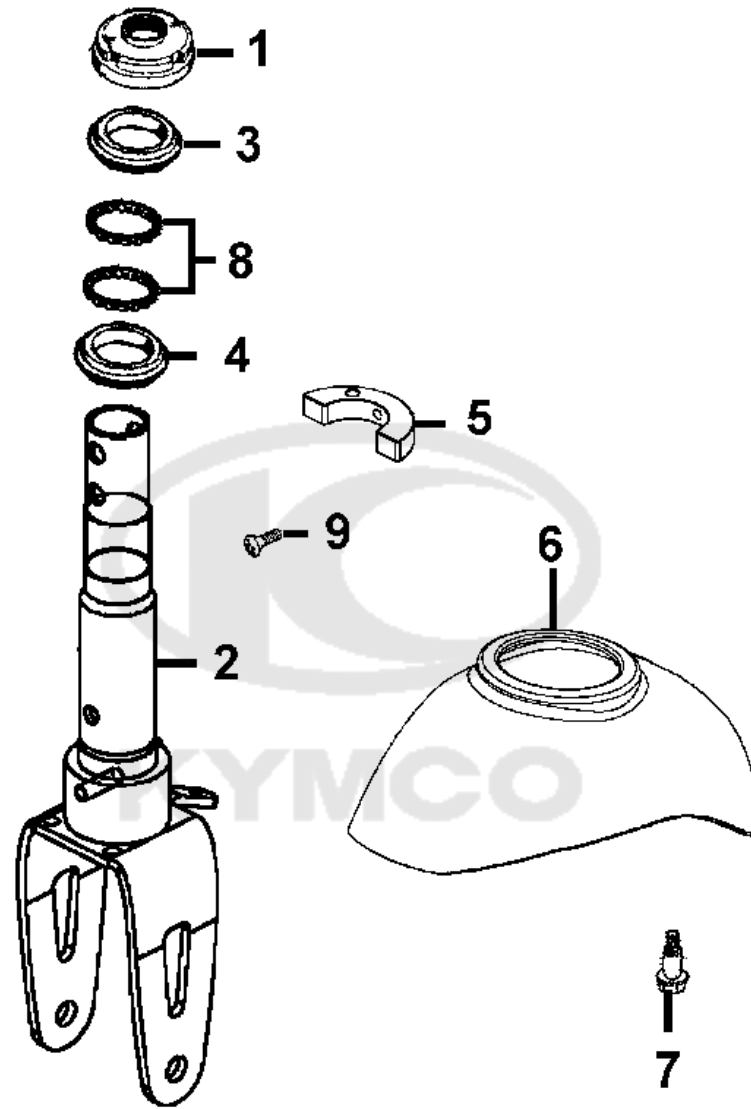


Sales mark	Ref no	Part no	Description	Reg description	Regd no	Ref Price	F01
	3	35110-LAC5-900	SPEED KNOB ALT 35110-LHD7-900	SPEED KNOB ALT 35110-LHD7-900	1	5.20	
	6	35180-LAC5-900	SW UNIT HORN **(2) C.2007.02.05	SW UNIT HORN **(2) C.2007.02.05	1	6.50	
	1	5010A-LDE5-900	LOCK ASSY HANDLE	LOCK ASSY HANDLE	1	3.25	
	14	50150-LAE9-E00	ORDER 50150-LHD7-900	ORDER 50150-LHD7-900	1	16.25	
	9	5310C-LDE4-900	HANDLE ASSY **(1) C.2006.02.16	HANDLE ASSY **(1) C.2006.02.16	1		
	10	53166-LAE9-E00	HAND GRIP	HAND GRIP	2	3.25	
**	7	53205-LAE9-E00	FRONT TILLER COVER- MINI RANGE-	FRONT TILLER COVER- MINI RANGE-	1	22.75	
**	8	53206-LAE9-E00	COVER RR HANDLE **(0) C.2005.05.01	COVER RR HANDLE **(0) C.2005.05.01	1		
	5	88120-LAC5-910	MIRROR ASSY BACK	MIRROR ASSY BACK	1	16.25	
	12	88130-LAC5-900	CAP HANDLE PIPE	CAP HANDLE PIPE	1	5.00	
	13	90302-LLB1-E00	BOLT WASHER 5*12 **(1) C.2005.06.28	BOLT WASHER 5*12 **(1) C.2005.06.28	1	0.68	
	15	93500-04014-0G	SCREW PAN 4*14	SCREW PAN 4*14	4	0.25	
	11	93903-34380-G	SCREW TAPPING 4x12	SCREW TAPPING 4x12	1	3.25	
	4	94021-06070-0S	NUT HEX CAP 6MM	NUT HEX CAP 6MM	2	3.25	
	2	96700-06028-07	SCOKET BOLT 6*28	SCOKET BOLT 6*28	2		

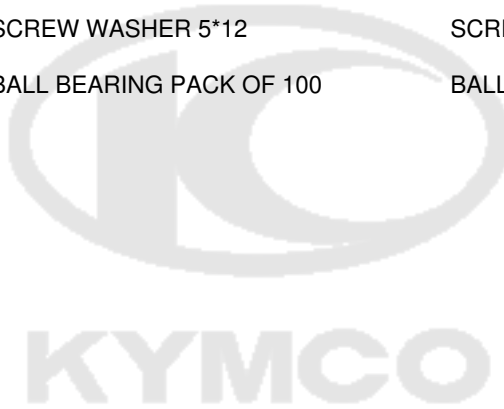
Sales mark	Ref no	Part no	Description	Reg description	Regd no	Ref Price	F02
------------	--------	---------	-------------	-----------------	---------	-----------	-----

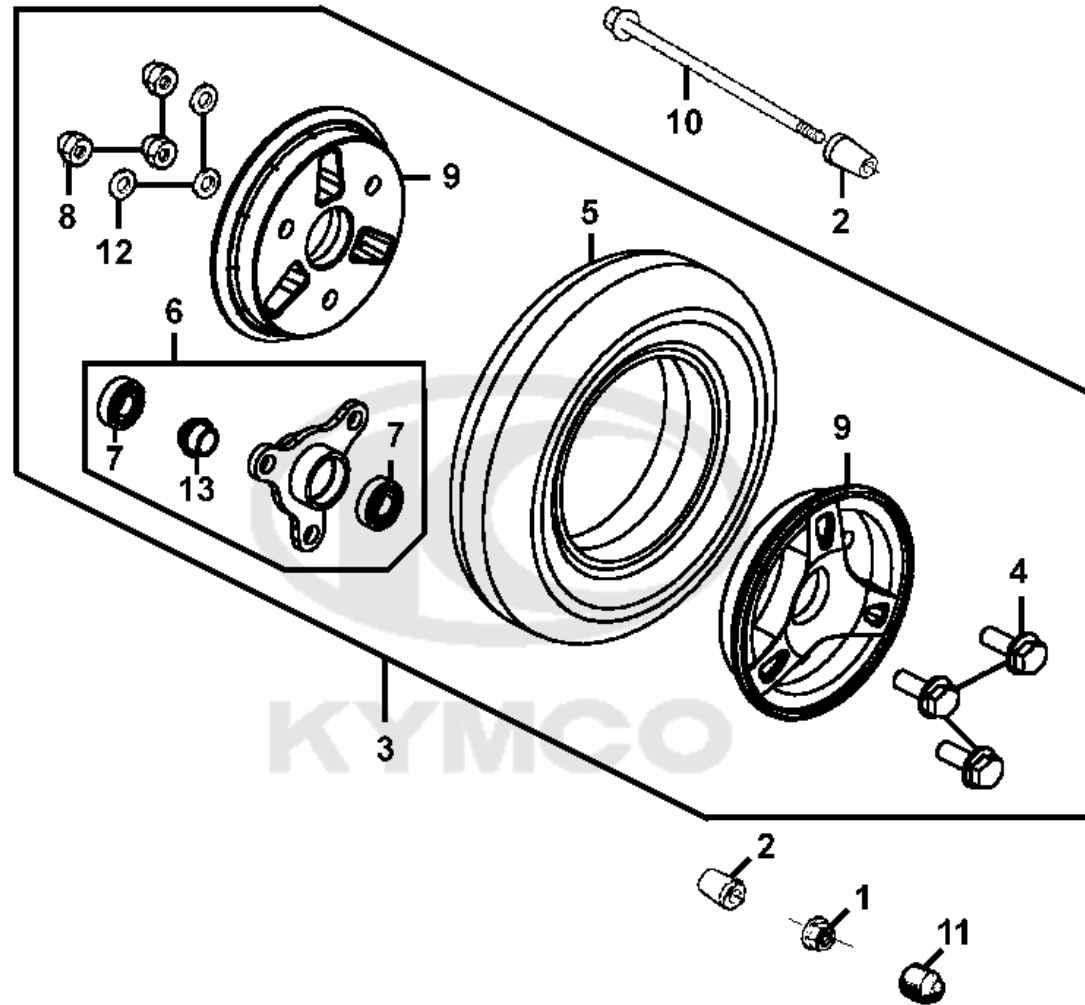
**	1	64310-LDE4-900	PANEL FLOOR **(2) C.2006.02.16	PANEL FLOOR **(2) C.2006.02.16	1		
	4	64311-LDE4-900	MOLD A	MOLD A	2		
**	3	64320-LCA1-E00	MAT FLOOR **(0) C.2005.05.01	MAT FLOOR **(0) C.2005.05.01	1		
	5	90301-LAC5-671	NUT FLANGE 6MM	NUT FLANGE 6MM	6	3.25	
	6	93903-35260	SCREW TAPPING 5*12	SCREW TAPPING 5*12	2	0.50	





Sales mark	Ref no	Part no	Description	Reg description	Regd no	Ref Price	F03
	1	50306-LCA1-E00	NUT STEERING STEM LOCK **(1)	NUT STEERING STEM LOCK **(1)	1		
	2	5320B-LDE4-900	STEM ASSY STRG **(0) C.2006.02.16	STEM ASSY STRG **(0) C.2006.02.16	1		
	3	53211-LCA1-E00	ORDER 53211-LCA1-C00	ORDER 53211-LCA1-C00	1	5.00	
	4	53212-LDB4-004	ORDER 53212-GHC8-004	ORDER 53212-GHC8-004	1	3.25	
	5	53215-LDE4-900	COLLAR HANDLE SET	COLLAR HANDLE SET	1		
**	6	61100-LCA1-E00	FENDER FR **(0) C.2005.05.01	FENDER FR **(0) C.2005.05.01	1		
	7	93600-06020-0G	SCREW FLAT 6*20	SCREW FLAT 6*20	1		
	9	93891-05012-06	SCREW WASHER 5*12	SCREW WASHER 5*12	1	0.25	
	8	96211-05000	BALL BEARING PACK OF 100	BALL BEARING PACK OF 100	55	3.25	

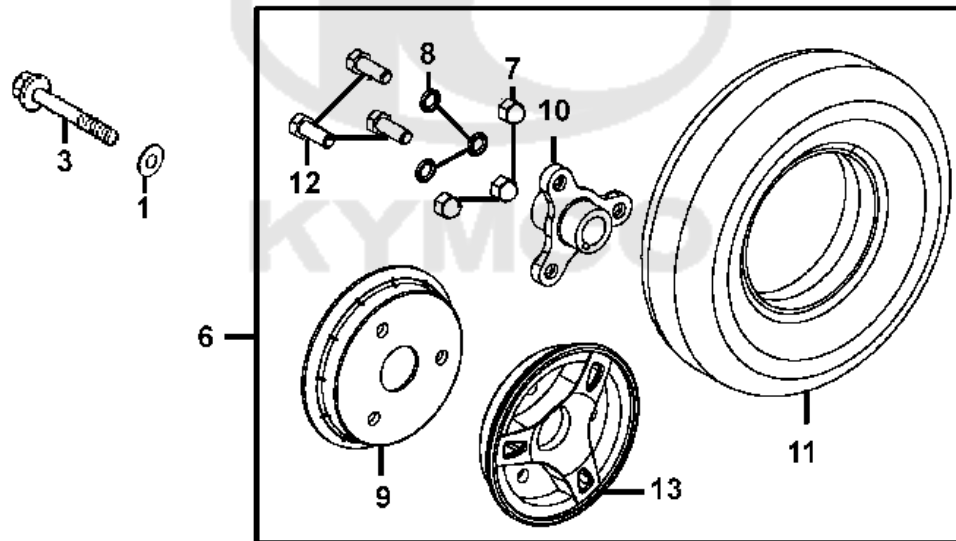
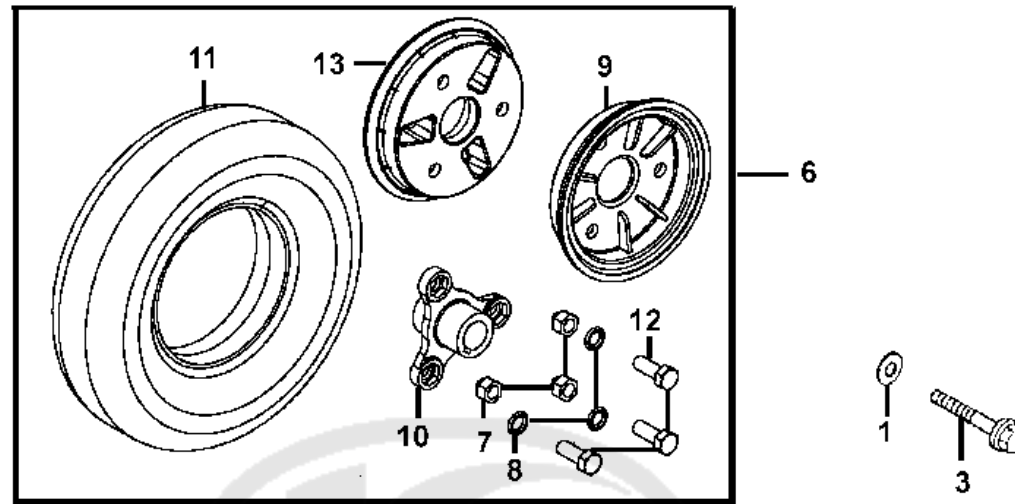




Sales mark	Ref no	Part no	Description	Reg description	Regd no	Ref Price	F04
	2	44311-LCA1-E00	COLLAR FR SIDE WHEEL **(0)	COLLAR FR SIDE WHEEL **(0)	2		
**	11	44315-LCA1-E00	CAP FR AXLE	CAP FR AXLE	1	3.25	
	3	44600-LCA1-E00	WHEEL ASSY FR **(0) C.2005.03.01	WHEEL ASSY FR **(0) C.2005.03.01	1		
	13	44620-LCA1-E00	COLLAR DIST **(0) C.2006.01.27	COLLAR DIST **(0) C.2006.01.27	1		
	6	44650-LCA1-E00	WHEEL COMP FR **(0) C.2005.03.01	WHEEL COMP FR **(0) C.2005.03.01	1		
	9	44701-LCA1-E00	RIM CAST FR **(0) C.2005.03.01	RIM CAST FR **(0) C.2005.03.01	2		
	5	4471A-LCA1-E00	TIRE ASSY FR	TIRE ASSY FR	1		
	1	90304-GHE8-004	NUT U 10MM **GE8-0040 C.2005.03.01	NUT U 10MM **GE8-0040 C.2005.03.01	1	0.68	
	8	94021-08020-0S	NUT HEX CAP 8MM	NUT HEX CAP 8MM	3	3.25	
	12	94101-08000	WASHER PLAIN 8MM	WASHER PLAIN 8MM	3	0.16	
	4	95701-08025-06	BOLT FLANGE 8*25	BOLT FLANGE 8*25	1	0.47	
	10	95801-10080-06	BOLT FLANGE 10X80	BOLT FLANGE 10X80	1	3.25	
	7	96130-69000-00	BEARING BALL RADIAL 6900ZZ	BEARING BALL RADIAL 6900ZZ	2	3.25	

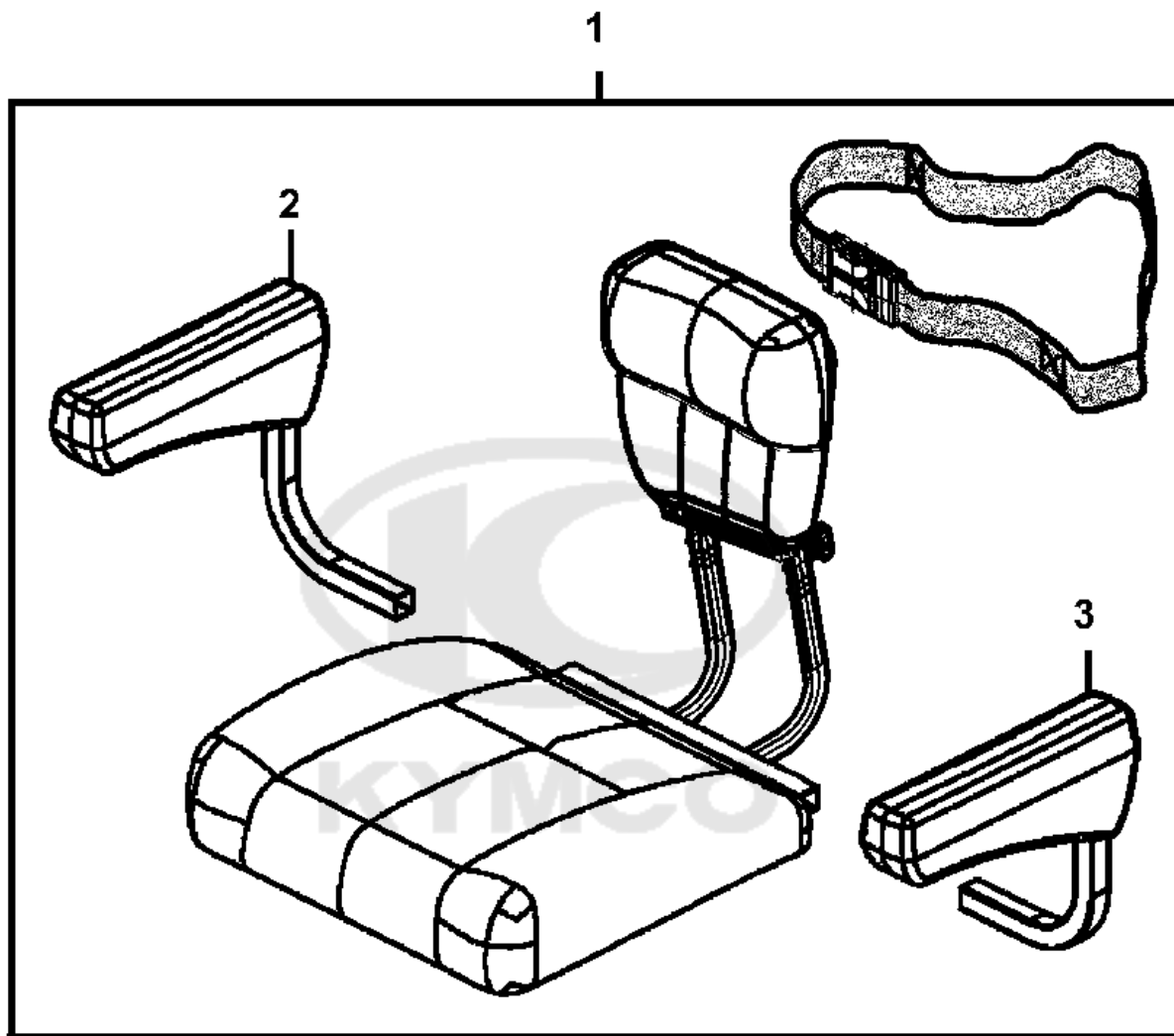
F05

Rear Wheel



Sales mark	Ref no	Part no	Description	Reg description	Regd no	Ref Price	F05
6		42600-LDE5-E00	WHEEL ASSY RR/P202 **(2)	WHEEL ASSY RR/P202 **(2) C.2006.02.17	2		
9		42702-LCA1-E00	RIM COMP RR **(0) C.2005.03.01	RIM COMP RR **(0) C.2005.03.01	2		
1		42705-LCA1-E00	PLAIN WASHER 8*26	PLAIN WASHER 8*26	2	3.25	
10		42707-LCA1-E00	CONNECTOR RR WHEEL **(0)	CONNECTOR RR WHEEL **(0)	2		
11		4271A-LDE5-E00	TIRE ASSY FR	TIRE ASSY FR	2		
13		44701-LCA1-E00	RIM CAST FR **(0) C.2005.03.01	RIM CAST FR **(0) C.2005.03.01	2		
3		90131-LCA1-E00	BOLT FLANGE 8*16	BOLT FLANGE 8*16	2	3.25	
12		92201-08032-0H	BOLT HEX 8*32	BOLT HEX 8*32	6	3.25	
7		94021-08020-0S	NUT HEX CAP 8MM	NUT HEX CAP 8MM	6	3.25	
8		94101-08000	WASHER PLAIN 8MM	WASHER PLAIN 8MM	6	0.16	





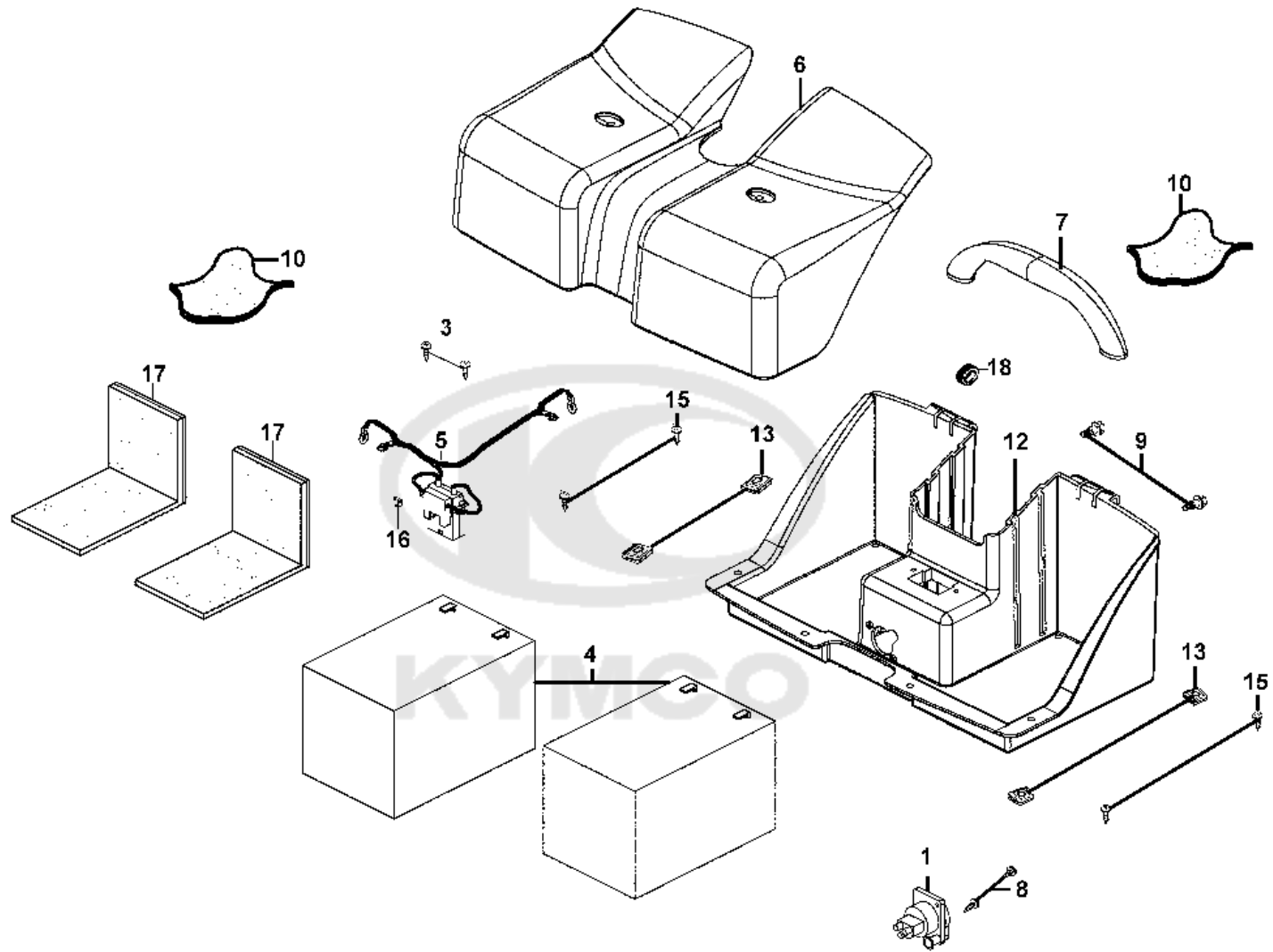
Sales mark	Ref no	Part no	Description	Reg description	Regd no	Ref Price	F06
------------	--------	---------	-------------	-----------------	---------	-----------	------------

2		77100-LCA1-E00	ORDER 77100-LCA1-C00	ORDER 77100-LCA1-C00	1		
1		77200-LCA1-E00	SEAT ASSY **(3) C.2006.01.27	SEAT ASSY **(3) C.2006.01.27	1		
3		77300-LCA1-E00	ORDER 77300-LCA1-C00	ORDER 77300-LCA1-C00	1		



F07

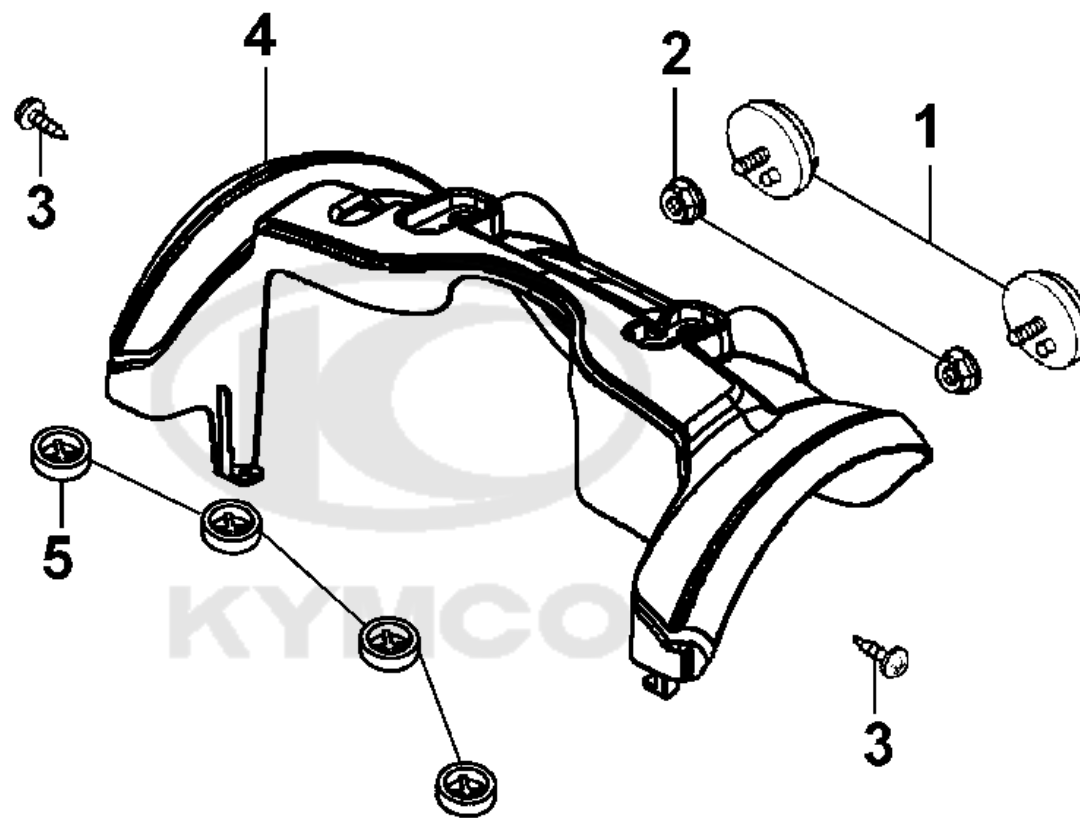
Battery



Sales mark	Ref no	Part no	Description	Reg description	Regd no	Ref Price	F07
	4	31500-LAE9-E0A	BATTERY 12V 12AH/YUASA **(0)	BATTERY 12V 12AH/YUASA **(0)	2		
	5	32201-LCA1-E00	CONNECT CORD BATTERY	CONNECT CORD BATTERY	1	18.20	
	1	32620-LAE9-E00	SOCKET CHARGER	SOCKET CHARGER	1	8.45	
	12	50325-LCA1-E00	CASE BATTERY	CASE BATTERY	1	16.25	
**	6	50326-LCA1-E00	COVER BATTERY **(0) C.2005.03.01	COVER BATTERY **(0) C.2005.03.01	1	16.25	
	7	50329-LAE9-E00	GRIP ALT 50329-LAE9-E01	GRIP ALT 50329-LAE9-E01	1		
	17	50330-LAE9-E01	SPONGE BATTERY	SPONGE BATTERY	2	3.25	
	10	50331-LAE9-E00	DUAL LOCK M	DUAL LOCK M	2	3.25	
	18	83551-KKAK-900	GROMMET AIR/C CASE **KAK-9000	GROMMET AIR/C CASE **KAK-9000	1	0.64	
	9	90302-GFY6-911	BOLT-WASH 5*12	BOLT-WASH 5*12	2	3.25	
	13	90677-LAC5-005	NUT CLIP 5MM (C) ALT 90677-GAR1-	NUT CLIP 5MM (C) ALT 90677-GAR1-004	6	3.25	
	8	93600-02008-0A	SCREW FLAT 2.5*8	SCREW FLAT 2.5*8	2	3.25	
	15	93891-05012-06	SCREW WASHER 5*12	SCREW WASHER 5*12	4	0.25	
	3	93903-34380-G	SCREW TAPPING 4x12	SCREW TAPPING 4x12	1	3.25	
	16	98200-34000	BLADE FUSE 40A	BLADE FUSE 40A	1	1.27	

F08

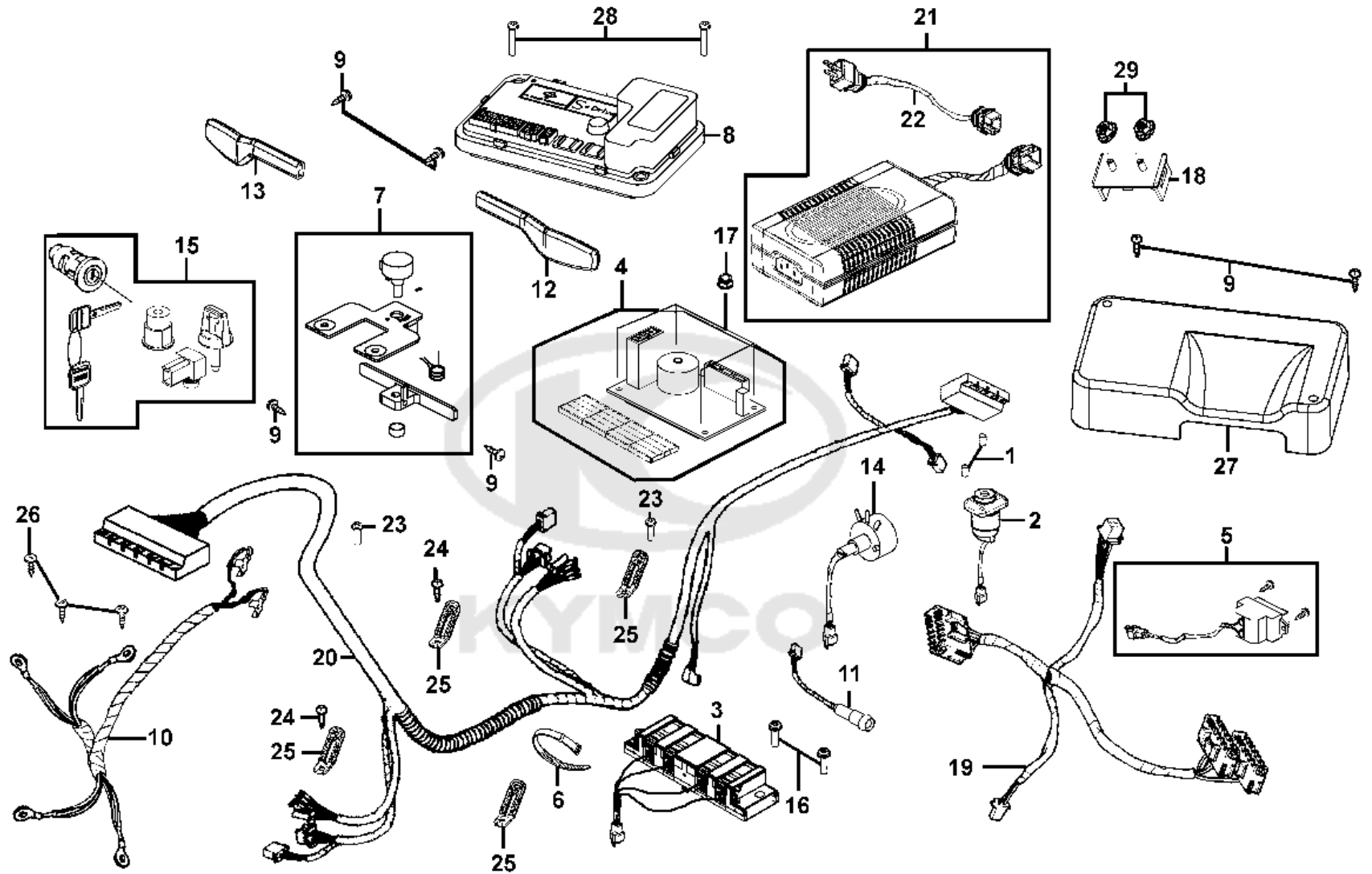
REFLEX REFLECTOR SIDE



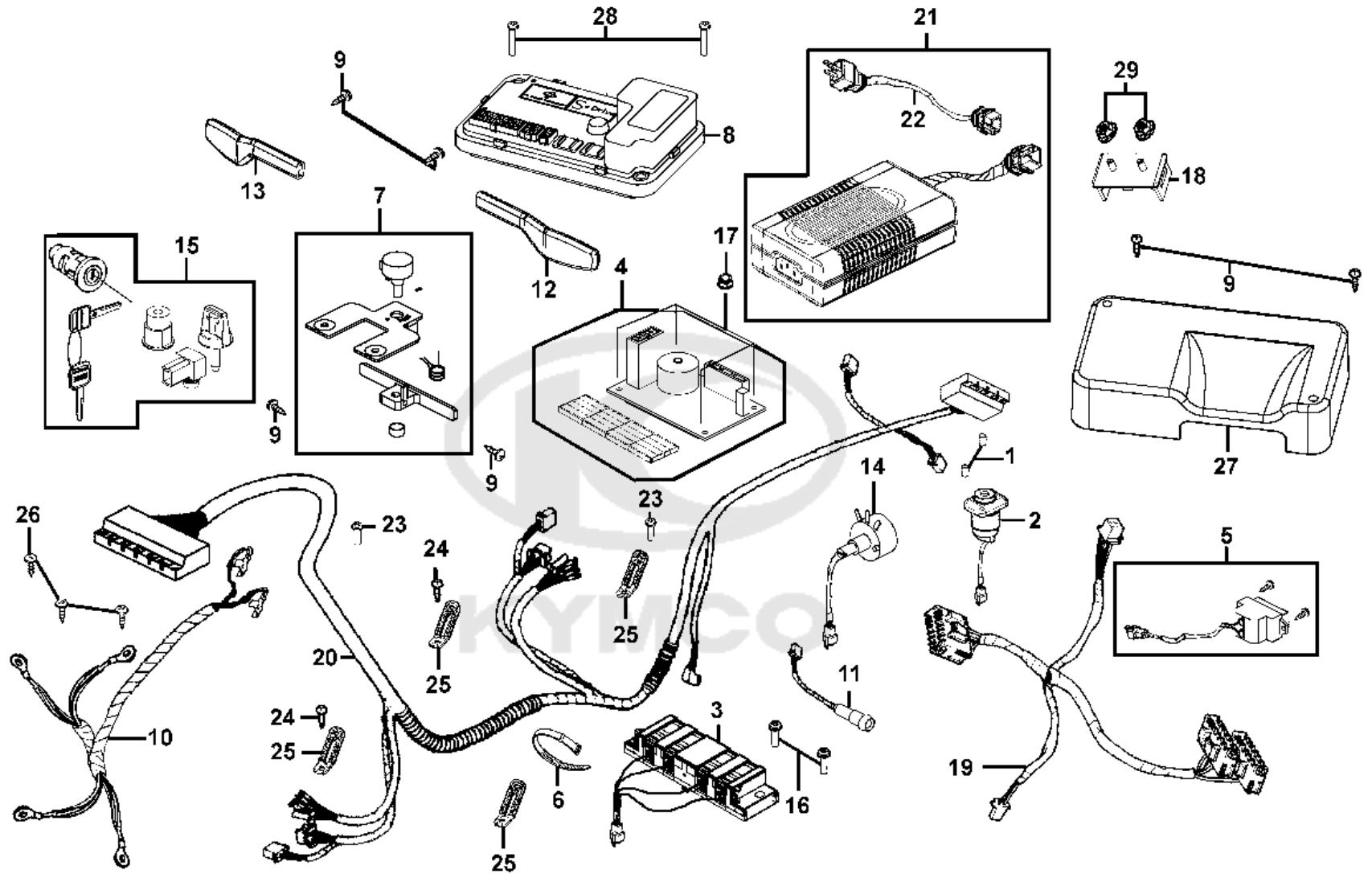
Sales mark	Ref no	Part no	Description	Reg description	Regd no	Ref Price	F08
------------	--------	---------	-------------	-----------------	---------	-----------	------------

	1	33731-KFA6-M00	USE 33731-KFA6-C00	USE 33731-KFA6-C00	2	3.25	
	5	64316-LAE9-E00	ORDER 64316-LAE9-C00	ORDER 64316-LAE9-C00	4	3.25	
**	4	83600-LDE5-900	COVER BODY LOW	COVER BODY LOW	1	55.25	
	3	93903-35260	SCREW TAPPING 5*12	SCREW TAPPING 5*12	2	0.50	
	2	94050-06080-G	NUT FLANGE 6MM	NUT FLANGE 6MM	2	0.49	

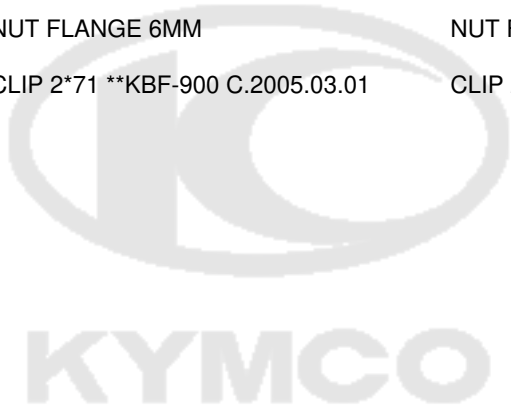




Sales mark	Ref no	Part no	Description	Reg description	Regd no	Ref Price	F09
	22	31280-LAC5-E20	CORD AC POWER	CORD AC POWER	1	6.50	
	21	31800-LAE9-E20	BATTERY CHARGER ASSY	BATTERY CHARGER ASSY	1	70.00	
	20	32100-LDE4-900	ORDER 32100-LDE4-C00 MAIN LOOM	ORDER 32100-LDE4-C00 MAIN LOOM	1		
	19	32101-LDE4-900	SUB HARNESS A **(3) C.V.	SUB HARNESS A **(3) C.V.	1		
	3	32102-LDE4-900	Obsolete	Obsolete	1		
	10	32404-LDE4-900	POWER CORD	POWER CORD	1	11.70	
	18	32610-LAE9-E00	COUPLER M BATTERY	COUPLER M BATTERY	1	13.00	
	2	32620-LAE9-E01	SOCKET CHARGER	SOCKET CHARGER	1	8.45	
	7	34010-LAC5-900	THROTTLE	THROTTLE	1	39.00	
	15	35101-LAE9-E00	AIT 35101-LAE9-E01	AIT 35101-LAE9-E01	1	16.25	
	14	35115-LAC5-900	SPEED POT 20K?	SPEED POT 20K?	1	11.70	
	8	36000-LCA1-E00	ELEC CONTROLLER UNIT **(0)	ELEC CONTROLLER UNIT **(0)	1	150.00	
	4	36100-LAE9-E00	CONTROL METER	CONTROL METER	1		
	13	36108-LAE9-E01	LEVER RH THROTTLE **(0)	LEVER RH THROTTLE **(0) C.2005.03.01	1		
	12	36109-LAE9-E01	LEVER LH THROTTLE **(0)	LEVER LH THROTTLE **(0) C.2005.03.01	1		
	11	36110-LAE9-E00	LED	LED	1	3.25	
	5	37806-LAE9-E00	VU METER	VU METER	1	16.25	
	27	80101-LCA1-E00	COVER ELECTRIC CONTROLLE	COVER ELECTRIC CONTROLLE	1		
	6	90656-KCBC-900	BAND OIL HANDLE **9000 C.2005.03.01	BAND OIL HANDLE **9000 C.2005.03.01	1	0.50	
	28	93500-04058-0A	SCREW PAN 4*58	SCREW PAN 4*58	2		

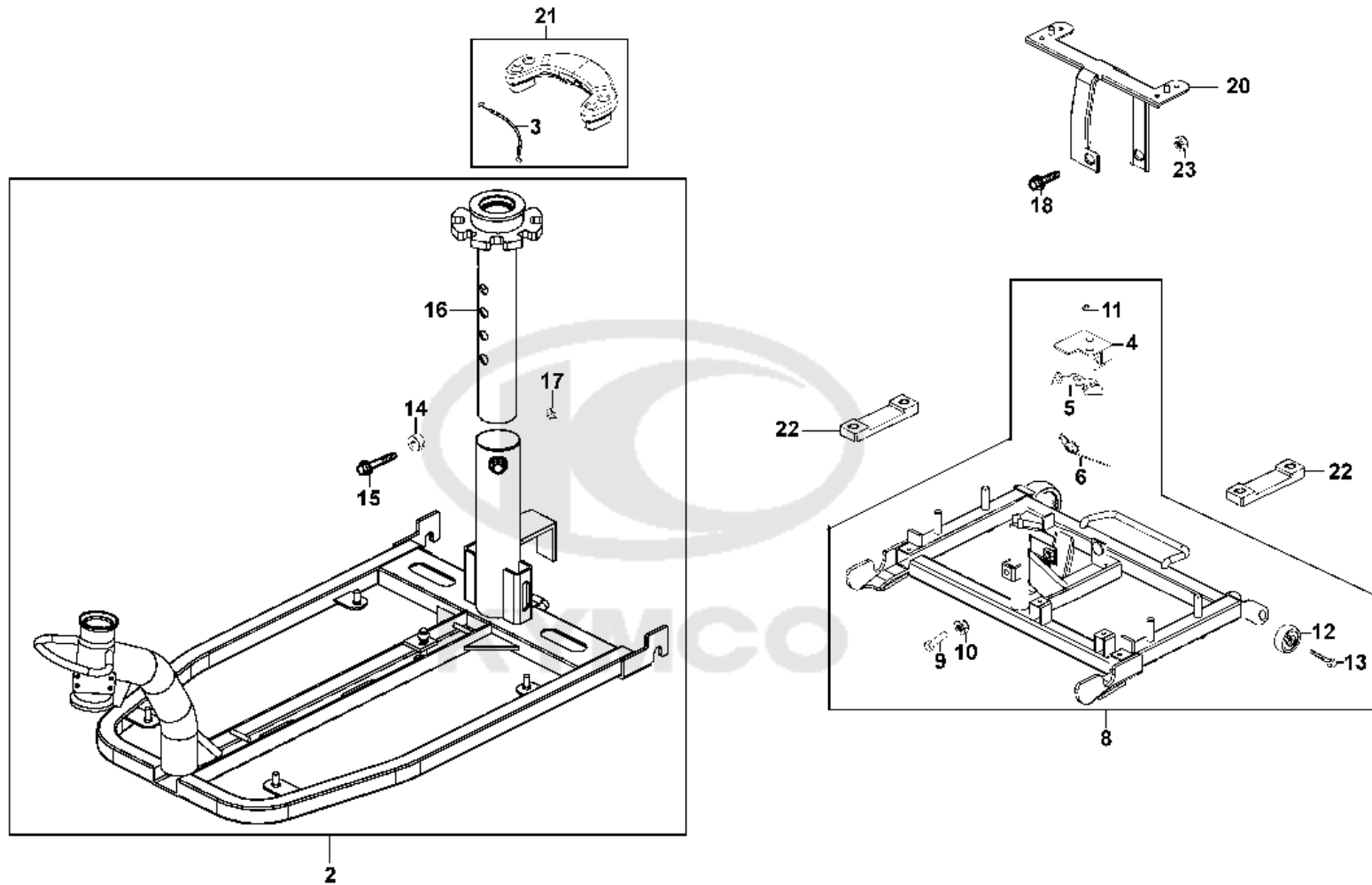


Sales mark	Ref no	Part no	Description	Reg description	Regd no	Ref Price	F09
23		93500-05020-0A	SCREW PAN 5*20	SCREW PAN 5*20	2		
1		93600-02008-0A	SCREW FLAT 2.5*8	SCREW FLAT 2.5*8	2	3.25	
16		93891-05012-06	SCREW WASHER 5*12	SCREW WASHER 5*12	2	0.25	
9		93901-32120	SCREW TAPPING 3*8 *(1) C.V.	SCREW TAPPING 3*8 *(1) C.V.	6	0.26	
24		93903-34380-G	SCREW TAPPING 4x12	SCREW TAPPING 4x12	1	3.25	
26		93903-35320	SCREW TAPPING 5*16	SCREW TAPPING 5*16	1	0.25	
17		94001-04080-0S	NUT HEX 4MM	NUT HEX 4MM	4	3.25	
29		94050-06080-G	NUT FLANGE 6MM	NUT FLANGE 6MM	2	0.49	
25		94591-KFBF-900	CLIP 2*71 **KBF-900 C.2005.03.01	CLIP 2*71 **KBF-900 C.2005.03.01	4	0.50	

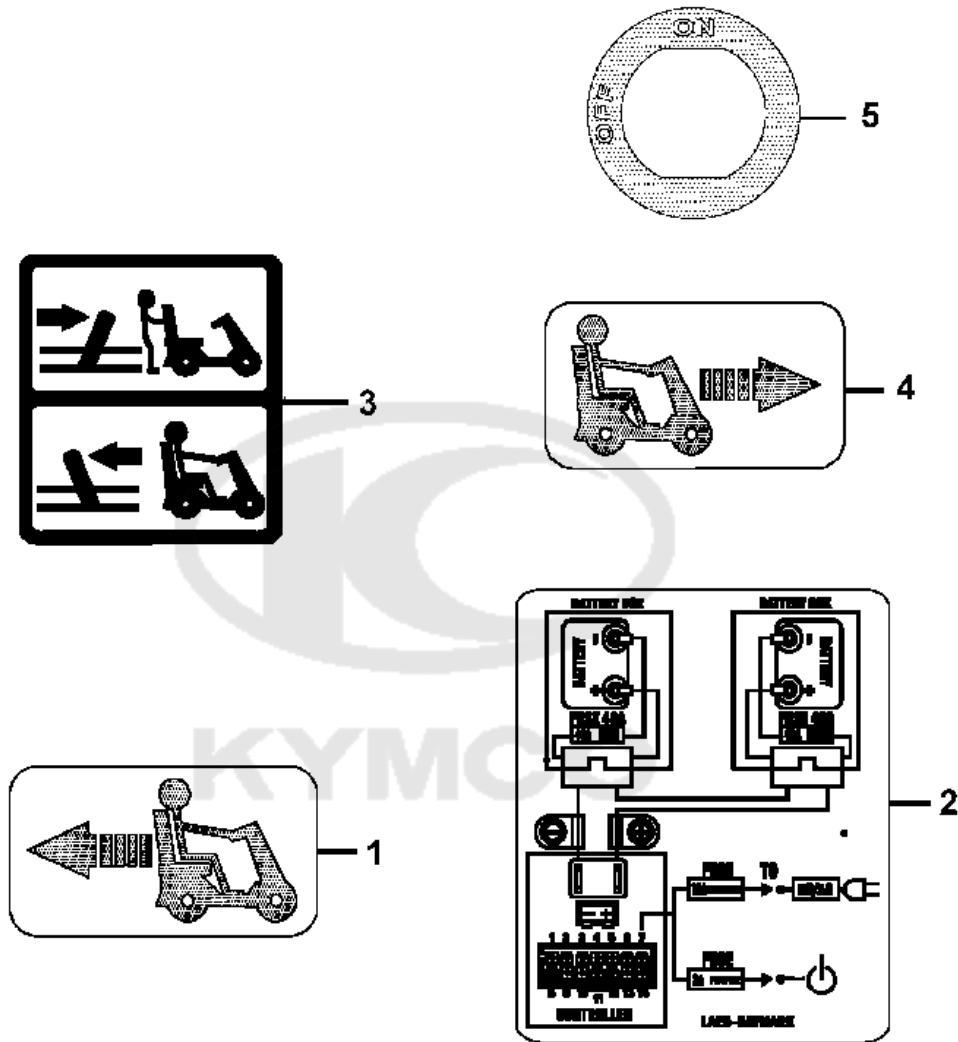


F10

Frame Body



Sales mark	Ref no	Part no	Description	Reg description	Regd no	Ref Price	F10
	12	42800-LAC5-900	ANTI-TIP WHEEL	ANTI-TIP WHEEL	2	3.25	
	2	5011A-LDE4-900	FRAME ASSY	FRAME ASSY	1		
	8	5012A-LDE5-900	REAR FRAMEA ASSY	REAR FRAMEA ASSY	1		
	16	50135-LDE5-900	PIPE B SEAT SET	PIPE B SEAT SET	1	18.20	
	20	50226-LDE5-900	STAY RR CARRIER **(2) C.2006.02.16	STAY RR CARRIER **(2) C.2006.02.16	1		
	3	50243-LDE5-900	CABLE RR FRAME LOCK **(2)	CABLE RR FRAME LOCK **(2)	1		
	5	50245-LDE5-900	STAY RR FRAME LOCK **(1)	STAY RR FRAME LOCK **(1) C.2006.02.16	1		
	6	50246-LDE5-900	SPRING RR FRAME LOCK **(1)	SPRING RR FRAME LOCK **(1)	1		
	4	50247-LDE5-900	STAY LOCK **(1) C.2006.02.16	STAY LOCK **(1) C.2006.02.16	1		
	14	50303-LAC5-900	COLLAR SEAT SET PIPE	COLLAR SEAT SET PIPE	1	3.25	
	22	50305-LDE5-900	RUBBER GEAR BOX	RUBBER GEAR BOX	2	6.50	
**	21	8120A-LDE5-900	RR GRIP ASSY **(1) C.2006.02.16	RR GRIP ASSY **(1) C.2006.02.16	1		
	11	93500-04012-0HG	SCREW PAN 4*12	SCREW PAN 4*12	1	3.25	
	10	94001-06080-0SG	NUT HEX 6MM	NUT HEX 6MM	1	3.25	
	23	94050-06080-G	NUT FLANGE 6MM	NUT FLANGE 6MM	1	0.49	
	17	94050-08060	NUT FLANGE 8MM	NUT FLANGE 8MM	1	0.49	
	18	95701-06012-06	BOLT FLANGE 6*12 **07 C.2005.07.01	BOLT FLANGE 6*12 **07 C.2005.07.01	1	0.47	
	13	95701-06035-08G	BOLT FLANGE 6*35	BOLT FLANGE 6*35	2	3.25	
	15	95701-08070-07	BOLT FLANGE 8*70	BOLT FLANGE 8*70	1	3.25	
	9	96700-06016-07	SOCKET BOLT 6*16	SOCKET BOLT 6*16	1		



Sales mark	Ref no	Part no	Description	Reg description	Regd no	Ref Price	F11
------------	--------	---------	-------------	-----------------	---------	-----------	-----

**	3	87501-LAE9-E00	USE CAUTION SILVER	USE CAUTION SILVER	1	3.25	
**	4	87560-LAE9-E00	MARK R DRIVE CAUTION	MARK R DRIVE CAUTION	1	3.25	
**	5	87564-LAE9-E00	Obsolete	Obsolete	1		
**	1	87660-LAE9-E00	MARK L DRIVE CAUTION	MARK L DRIVE CAUTION	1	3.25	





1



2



3

Sales mark	Ref no	Part no	Description	Reg description	Regd no	Ref Price	F12
------------	--------	---------	-------------	-----------------	---------	-----------	------------

**	1	86020-LAC5-E20	EMB DMA STRIDER	EMB DMA STRIDER	1		
**	3	86407-LAE9-E00	STRIPE METER	STRIPE METER	1	3.25	



PART NO. INDEX

PART NO.	VERSION	PAGE	PART NO.	VERSION	PAGE	PART NO.	VERSION	PAGE
11000			33000			37000		
1110A-LCA1-E00	3	E01	33731-KFA6-M00	1	F08	37806-LAE9-E00	3	F09
31000			34000			42000		
31280-LAC5-E20	2	F09	34010-LAC5-900	7	F09	42600-LDE5-E00	5	F05
31300-LDE4-900	3	E01				42702-LCA1-E00	2	F05
31350-LCA1-E00	0	E01	35000			42705-LCA1-E00	2	F05
31500-LAE9-E0A	1	F07				42707-LCA1-E00	3	F05
31800-LAE9-E20	1	F09	35101-LAE9-E00	3	F09	4271A-LDE5-E00	3	F05
			35110-LAC5-900	5	F01	42800-LAC5-900	6	F10
32000			35115-LAC5-900	1	F09			
32100-LDE4-900	3	F09	35180-LAC5-900	4	F01	44000		
32101-LDE4-900	3	F09				44311-LCA1-E00	1	F04
32102-LDE4-900	1	F09	36000			44315-LCA1-E00	2	F04
32201-LCA1-E00	3	F07	36000-LCA1-E00	1	F09	44600-LCA1-E00	5	F04
32404-LDE4-900	3	F09	36100-LAE9-E00	1	F09	44620-LCA1-E00	2	F04
32610-LAE9-E00	2	F09	36108-LAE9-E01	1	F09	44650-LCA1-E00	2	F04
32620-LAE9-E00	1	F07	36109-LAE9-E01	1	F09	44701-LCA1-E00	3	F04
32620-LAE9-E01	1	F09	36110-LAE9-E00	3	F09	44701-LCA1-E00	3	F05
						4471A-LCA1-E00	3	F04

PART NO. INDEX

PART NO.	VERSION	PAGE	PART NO.	VERSION	PAGE	PART NO.	VERSION	PAGE
50000			53166-LAE9-E00	3	F01			
			53205-LAE9-E00	0	F01	80000		
			53206-LAE9-E00	9	F01			
5010A-LDE5-900	3	F01	5320B-LDE4-900	1	F03	80101-LCA1-E00	2	F09
5011A-LDE4-900	2	F10	53211-LCA1-E00	1	F03			
5012A-LDE5-900	2	F10	53212-LDB4-004	1	F03	81000		
50135-LDE5-900	1	F10	53215-LDE4-900	1	F03			
50150-LAE9-E00	1	F01				8120A-LDE5-900	2	F10
50226-LDE5-900	3	F10	61000					
50243-LDE5-900	3	F10				83000		
50245-LDE5-900	3	F10	61100-LCA1-E00	1	F03			
50246-LDE5-900	2	F10				83551-KKAK-900	0	F07
50247-LDE5-900	3	F10	64000			83600-LDE5-900	3	F08
50303-LAC5-900	4	F10						
50305-LDE5-900	2	F10	64310-LDE4-900	3	F02	86000		
50306-LCA1-E00	2	F03	64311-LDE4-900	0	F02			
50325-LCA1-E00	3	F07	64312-LBE1-900	2	F02	86020-LAC5-E20	1	F12
50326-LCA1-E00	1	F07	64316-LAE9-E00	2	F08	86102-LAC5-E21	1	F12
50329-LAE9-E00	2	F07	64320-LCA1-E00	1	F02	86407-LAE9-E00	2	F12
50330-LAE9-E01	1	F07						
50331-LAE9-E00	1	F07	77000			87000		
50350-LDE5-900	1	E01						
			77100-LCA1-E00	2	F06	87501-LAE9-E00	3	F11
53000			77200-LCA1-E00	4	F06	87508-LCA1-E00	3	F11
			77300-LCA1-E00	2	F06	87560-LAE9-E00	3	F11
5310C-LDE4-900	2	F01				87564-LAE9-E00	4	F11

PART NO. INDEX

PART NO.	VERSION	PAGE	PART NO.	VERSION	PAGE	PART NO.	VERSION	PAGE
87660-LAE9-E00	3	F11	93500-05020-0A	0	F09	94050-08060	0	F10
88000			93600-02008-0A	0	F07	94050-08080-G	1	E01
			93600-02008-0A	0	F09	94101-08000	0	F04
			93600-06020-0G	0	F03	94101-08000	0	F05
88120-LAC5-910	4	F01	93891-04012-06	0	E01	94591-KFBF-900	2	F09
88130-LAC5-900	2	F01	93891-05012-06	0	F03	94591-LCA1-E00	0	E01
90000			93891-05012-06	0	F07			
			93891-05012-06	0	F09	95000		
			93901-32120	1	F09			
90131-LCA1-E00	2	F05	93903-34380-G	0	F01	95701-06012-06	1	F10
90301-LAC5-671	1	F02	93903-34380-G	0	F07	95701-06035-08G	1	F10
90302-GFY6-911	1	F07	93903-34380-G	0	F09	95701-08025-06	0	F04
90302-LLB1-E00	2	F01	93903-35260	0	F02	95701-08070-07	0	F10
90304-GHE8-004	0	F04	93903-35260	0	F08	95801-10080-06	0	F04
90656-KCBC-900	0	F09	93903-35320	4	F09			
90677-LAC5-005	1	F07	94000			96000		
92000						96130-69000-00	0	F04
			94001-04080-0S	0	F09	96211-05000	26	F03
			94001-06080-0SG	0	F10	96600-06020-06	0	E01
92201-08032-0H	0	F05	94021-06070-0S	0	F01	96700-06016-07	0	F10
93000			94021-08020-0S	0	F04	96700-06028-07	0	F01
			94021-08020-0S	0	F05			
93500-04012-0HG	0	F10	94050-06080-G	1	F08	98000		
93500-04014-0G	0	F01	94050-06080-G	1	F09			
93500-04058-0A	0	F09	94050-06080-G	1	F10	98200-34000	0	F07