

PARTS CATALOGUE



MOBILITY SCOOTER

EV10GC(UK)

Strider-days



Release Date : 2017/01/12
Print Date : 2019/11/04

ABOUT THIS PARTS LIST

- This parts list is compiled all service parts for model EV10GC(UK).
- Any difference between color chart and motorcycle will be revised according to motorcycle.
- The Mark:
 1. Marking "***" must add color code in the end before ordering parts.
 2. Marking "#" are parts with modification, Please find the details from e-Parts system.
- When modification or additions to this parts list are made a revised edition at an appropriate time.

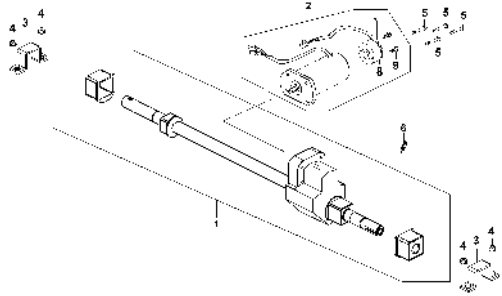


CONTENTS

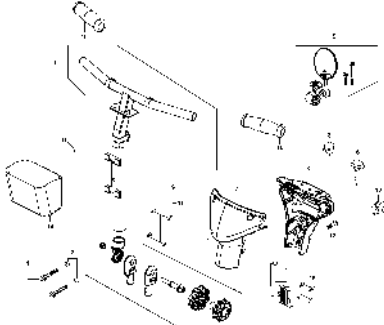
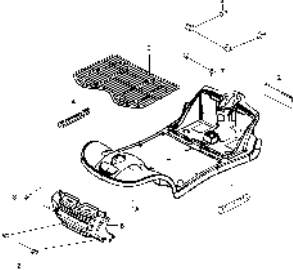
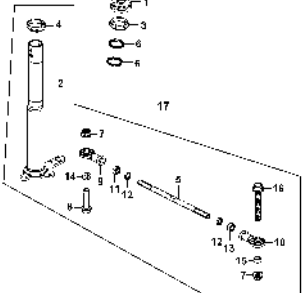
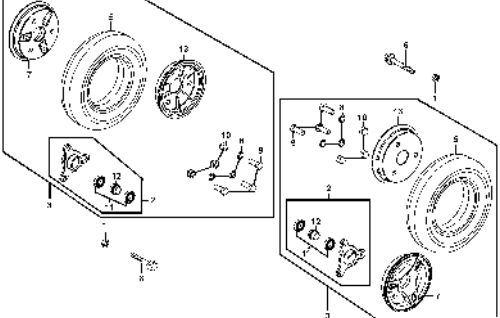
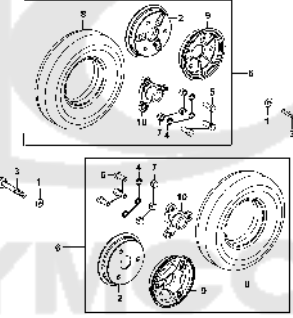
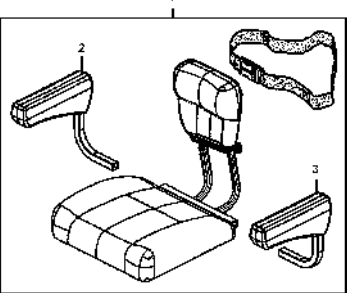
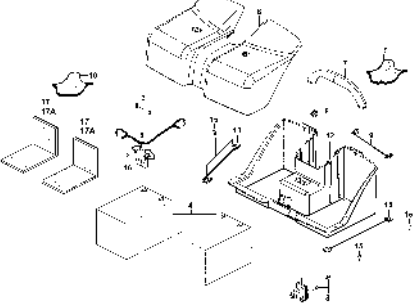
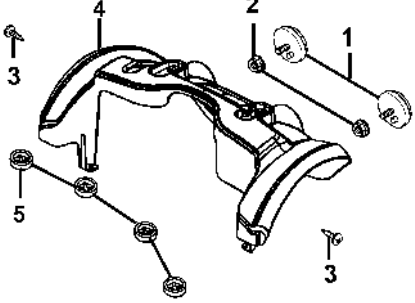
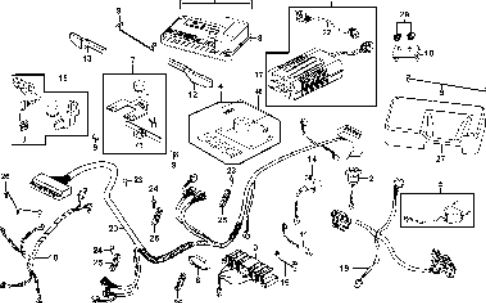
● ABOUT THIS PARTS LIST	1
● COLOR CHART OF EV10GC(UK)	3
● CONTENTS-ENGINE GROUP	5
● CONTENTS-FRAME GROUP	6
● ENGINE PARTS LIST	8
● FRAME PARTS LIST	10
● PART NO. INDEX	38

CONTENTS - ENGINE GROUP

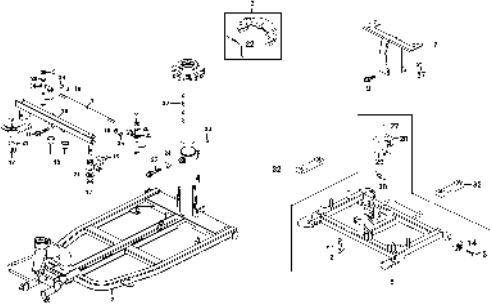
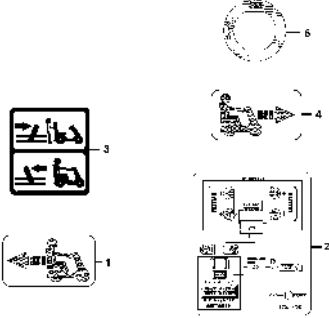
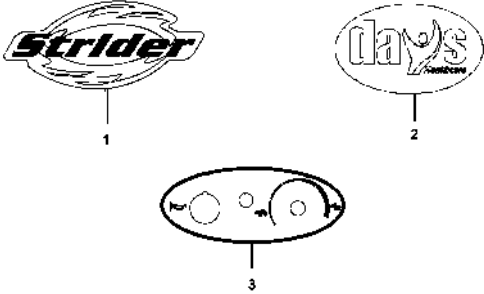

E01 MOTOR ASSY



CONTENTS - FRAME GROUP

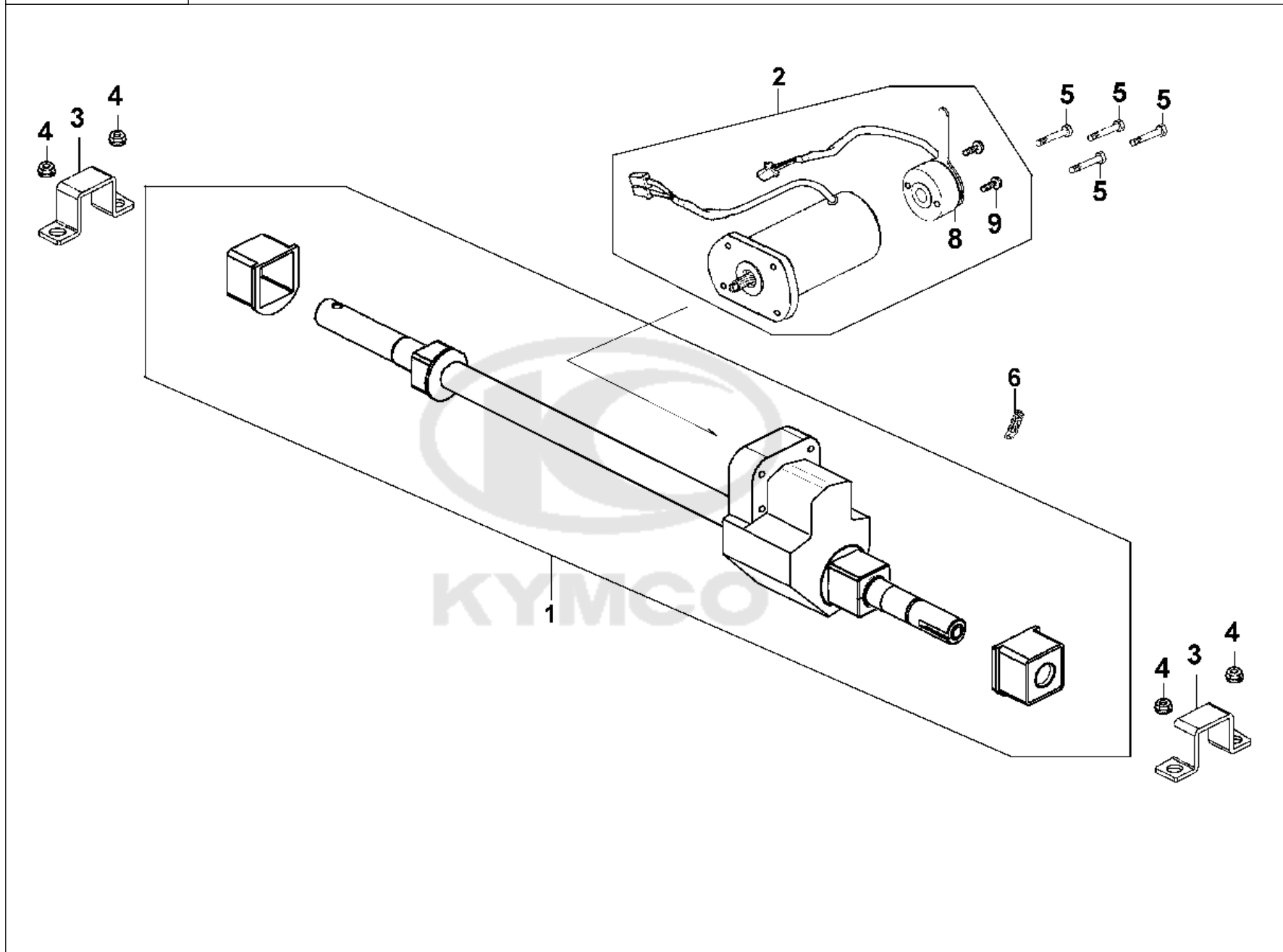
<p>F01 Handle Steering</p>	<p>F02 Floor Panel</p>	<p>F03 Stem Steering</p>
		
<p>F04 Front Wheel</p>	<p>F05 Rear Wheel</p>	<p>F06 Seat</p>
		
<p>F07 Battery</p>	<p>F08 REFLEX REFLECTOR SIDE</p>	<p>F09 Harness Wire</p>
		

CONTENTS - FRAME GROUP

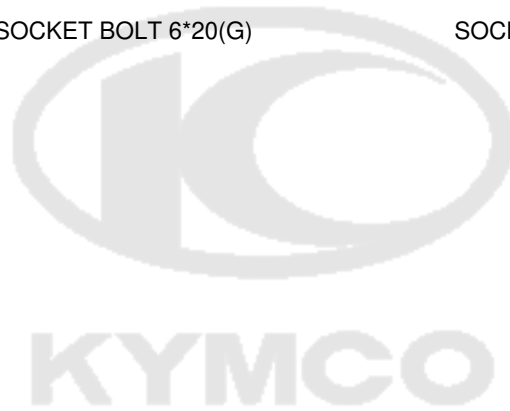
<p>F10 Frame Body</p>	<p>F11 Caution Label</p>	<p>F12 STRIPE</p>
		
		

E01

MOTOR ASSY

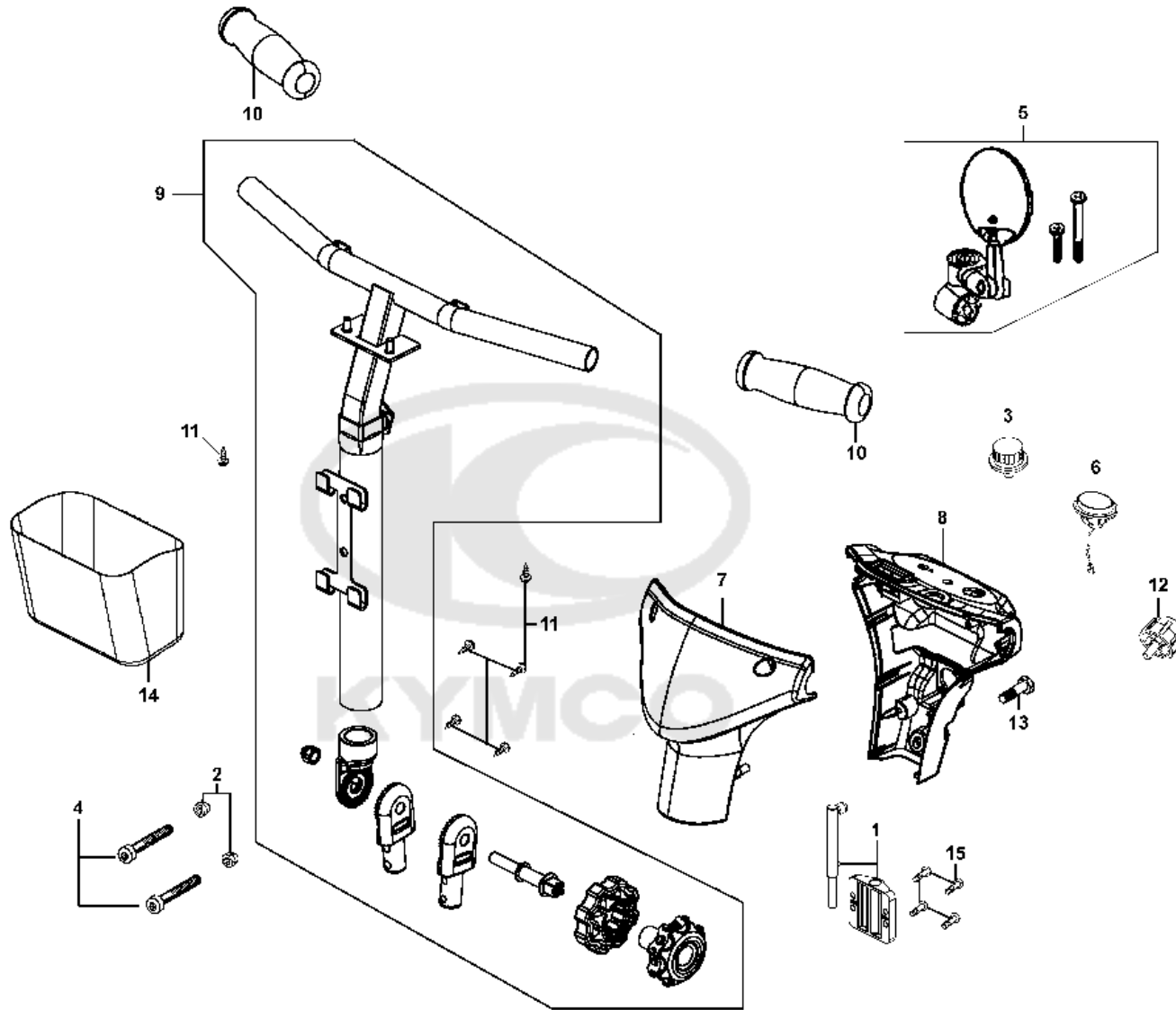


Sales mark	Ref no	Part no	Description	Reg description	Regd no	Ref Price	E01
1		1110A-LCA1-E00	MISSION ASSY	MISSION ASSY	1		
2		31300-LDE4-900	MOTOR ASSY	MOTOR ASSY	1		
8		31350-LCA1-E00	BRAKE ASSY	BRAKE ASSY	1	52.00	
3		50350-LDE5-900	CONNECTOR,GEAR BOX	CONNECTOR,GEAR BOX	2	5.20	
9		93891-04012-06	SCREW WASHER 4*12	SCREW WASHER 4*12	1	0.13	
4		94050-08080-G	NUT FLANGE 8MM (C)	NUT FLANGE 8MM (C)	4	0.49	
6		94591-LCA1-E00	BIND CLIP	BIND CLIP	1		
5		96600-06020-06	SOCKET BOLT 6*20(G)	SOCKET BOLT 6*20(G)	1	0.77	



F01

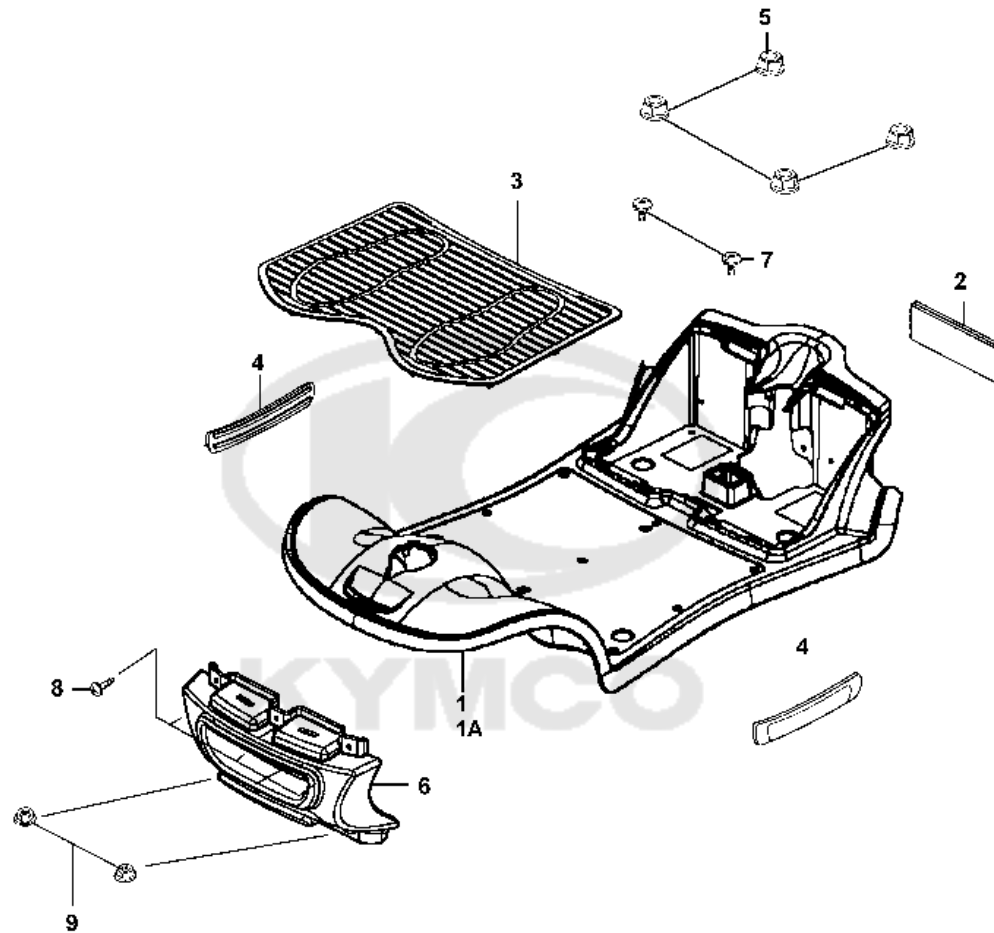
Handle Steering



Sales mark	Ref no	Part no	Description	Reg description	Regd no	Ref Price	F01
	3	35110-LAC5-900	SPEED KNOB ALT 35110-LHD7-900	SPEED KNOB ALT 35110-LHD7-900	1	5.20	
	6	35180-LAC5-900	SW UNIT HORN **(2) C.2007.02.05	SW UNIT HORN **(2) C.2007.02.05	1	6.50	
	1	5010A-LDE5-900	LOCK ASSY HANDLE	LOCK ASSY HANDLE	1	3.25	
	14	50150-LAE9-E00	ORDER 50150-LHD7-900	ORDER 50150-LHD7-900	1	16.25	
	9	5310C-LDE5-900	ORDER 5310C-LDE5-C00	ORDER 5310C-LDE5-C00	1		
	10	53166-LAE9-E00	HAND GRIP	HAND GRIP	2	3.25	
**	8	53206-LAE9-E00	COVER RR HANDLE **(0) C.2005.05.01	COVER RR HANDLE **(0) C.2005.05.01	1		
	5	88120-LAC5-910	MIRROR ASSY BACK	MIRROR ASSY BACK	1	16.25	
	12	88130-LAC5-900	CAP HANDLE PIPE	CAP HANDLE PIPE	1	5.00	
	13	90302-LLB1-E00	BOLT WASHER 5*12 **(1) C.2005.06.28	BOLT WASHER 5*12 **(1) C.2005.06.28	1	0.68	
	15	93500-04014-0G	SCREW PAN 4*14	SCREW PAN 4*14	4	0.25	
	11	93903-34380-G	SCREW TAPPING 4x12	SCREW TAPPING 4x12	1	3.25	
	2	94021-06080-0S	NUT HEX CAP 6MM	NUT HEX CAP 6MM	2	0.25	
	4	96700-LDE5-900	SOCKET BOLT 6x28(K)	SOCKET BOLT 6x28(K)	2	0.71	

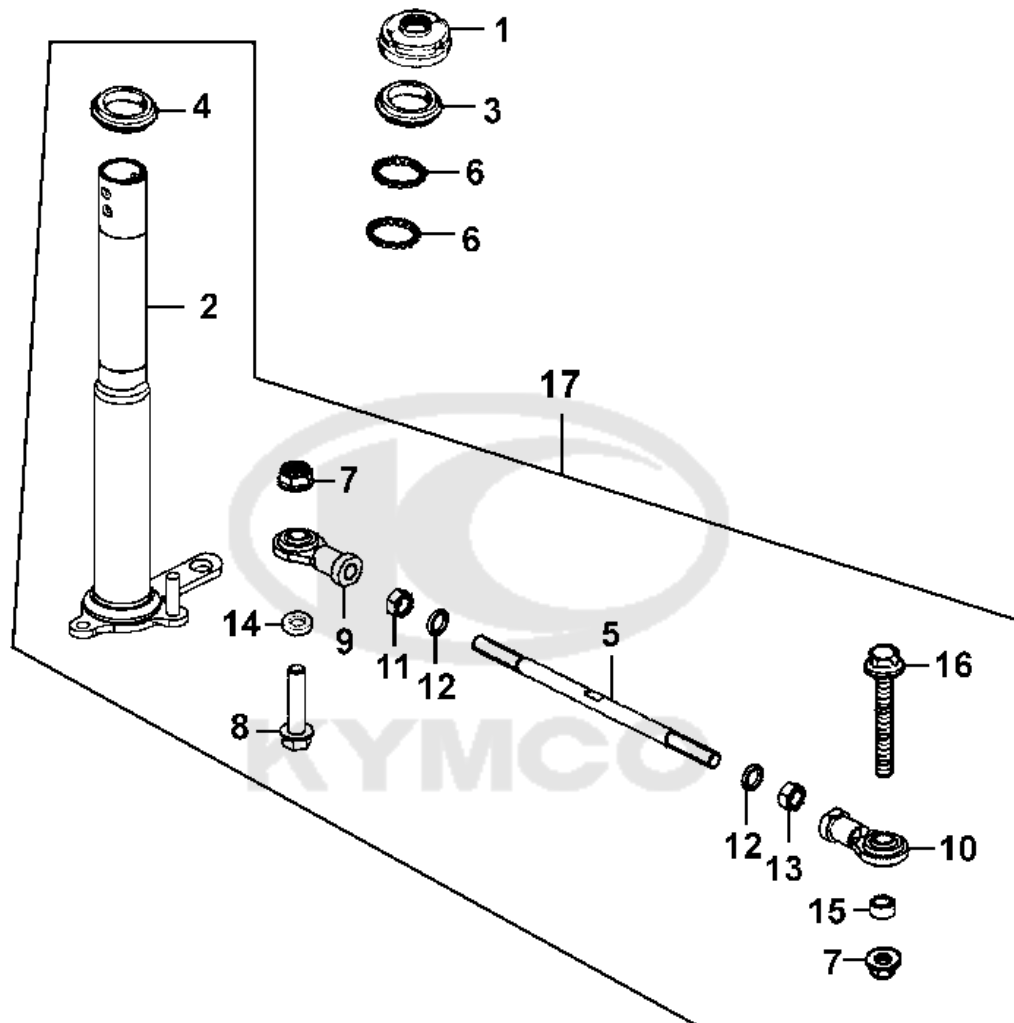
F02

Floor Panel



Sales mark	Ref no	Part no	Description	Reg description	Regd no	Ref Price	F02
**	6	64302-LDE5-900	FRONT PLASTIC BUMPER- MICRO-	FRONT PLASTIC BUMPER- MICRO-	1		
**	1A	64310-LDE5-E00	FLOOR RANEL	FLOOR RANEL	1		
	4	64311-LDE5-900	MOLD A	MOLD A	2	3.25	
**	3	64320-LDE5-900	ORDER 64320-LDE5-900	ORDER 64320-LDE5-900	1		
	9	90301-LAC5-001	NUT 6MM OPENSTAY	NUT 6MM OPENSTAY	3	3.25	
	5	90301-LAC5-671	NUT FLANGE 6MM	NUT FLANGE 6MM	6	3.25	
	8	93903-14380-G	SCREWTAPPING 4x12	SCREWTAPPING 4x12	1	3.25	
	7	93903-35260	SCREW TAPPING 5*12	SCREW TAPPING 5*12	2	0.50	

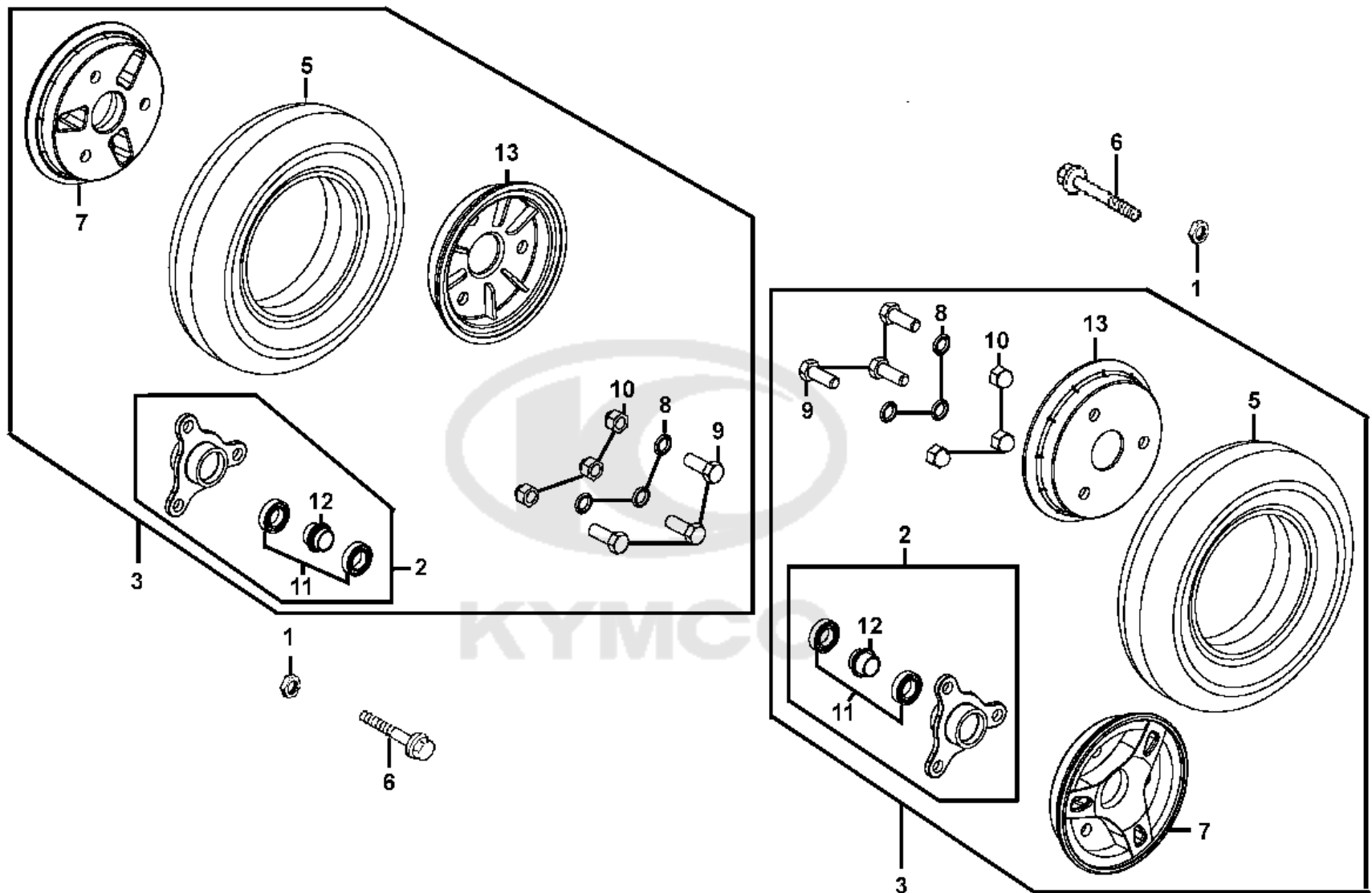




Sales mark	Ref no	Part no	Description	Reg description	Regd no	Ref Price	F03
	1	50306-LCA1-E00	NUT STEERING STEM LOCK **(1)	NUT STEERING STEM LOCK **(1)	1		
	2	53200-LDE5-900	ORDER 53200-LDE5-C00	ORDER 53200-LDE5-C00	1		
	17	5320B-LDE5-900	STEM ASSY STRG	STEM ASSY STRG	1		
	3	53211-LCA1-E00	ORDER 53211-LCA1-C00	ORDER 53211-LCA1-C00	1	5.00	
	4	53212-LDB4-004	ORDER 53212-GHC8-004	ORDER 53212-GHC8-004	1	3.25	
	9	53702-LDE5-900	BALL RH JOINT **(0) C.2006.02.17	BALL RH JOINT **(0) C.2006.02.17	1	16.25	
	10	53703-LDE5-900	BALL LH JOINT **(0) C.2006.02.17	BALL LH JOINT **(0) C.2006.02.17	1	16.25	
	14	53705-LDB4-900	WASHER	WASHER	1	3.25	
	5	53801-LDE5-900	ROD STEM STRG M8*98	ROD STEM STRG M8*98	1		
	15	53805-LDE5-900	COLLAR STRG ROD	COLLAR STRG ROD	1	5.00	
	7	90309-GLW0-90A	NUT U FLANGE 8MM **(0) C.2009.03.05	NUT U FLANGE 8MM **(0) C.2009.03.05	2	0.85	
	11	94001-08080-0S	NUT HEX 8MM	NUT HEX 8MM	1	0.49	
	13	94001-LAC5-900	NUT HEX 8MM L	NUT HEX 8MM L	1	0.55	
	12	94111-08800	WASHER SPRING 8MM	WASHER SPRING 8MM	2	0.33	
	8	95801-08030-08G	BOLT FLANGE 8*30	BOLT FLANGE 8*30	1	3.25	
	16	95801-08070-08G	BOLT FLANGE 8*70	BOLT FLANGE 8*70	1		
	6	96211-05000	BALL BEARING PACK OF 100	BALL BEARING PACK OF 100	55	3.25	

F04

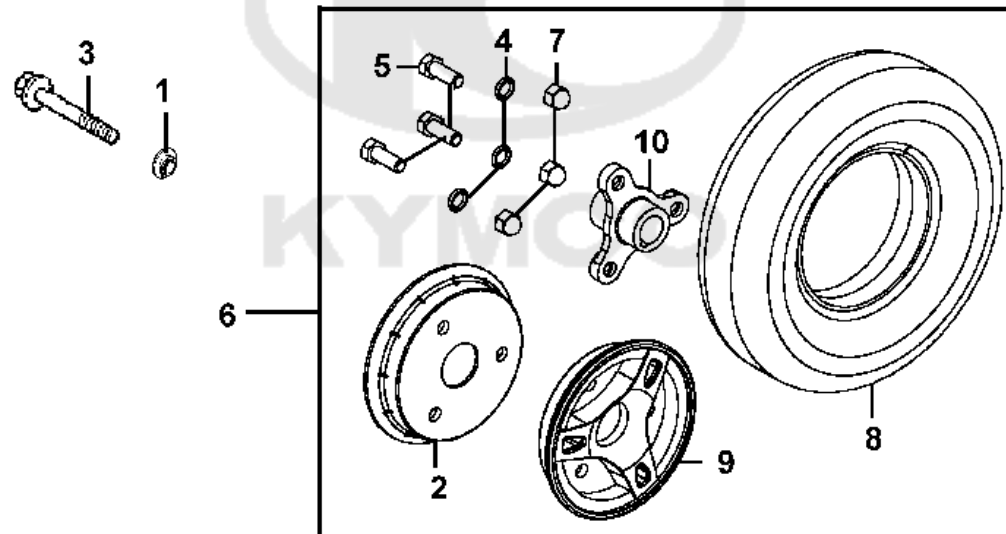
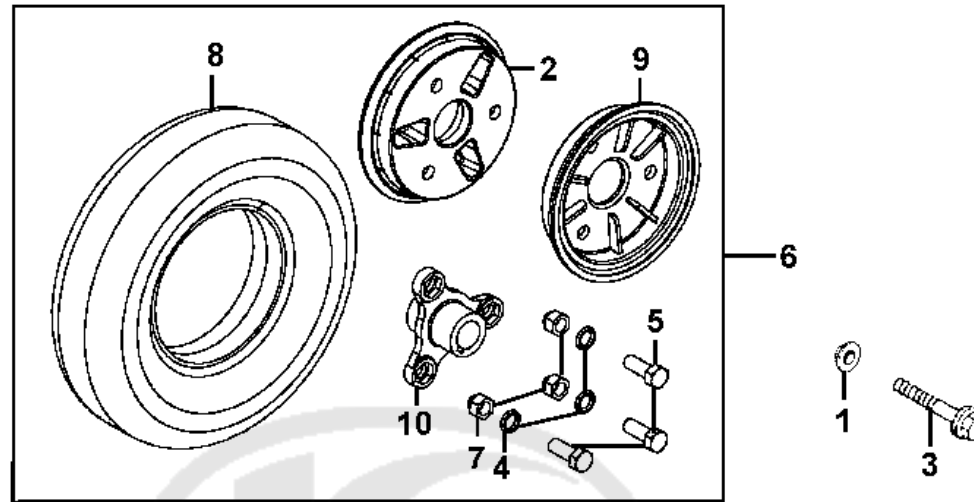
Front Wheel



Sales mark	Ref no	Part no	Description	Reg description	Regd no	Ref Price	F04
	13	42702-LCA1-E00	RIM COMP RR **(0) C.2005.03.01	RIM COMP RR **(0) C.2005.03.01	2		
	5	4271A-LDE5-E00	TIRE ASSY FR	TIRE ASSY FR	2		
	3	44600-LDE5-E00	WHEEL ASSY FR/P202	WHEEL ASSY FR/P202	2		
	12	44620-LDE5-900	DIST COLLAR FR WHEEL **(0)	DIST COLLAR FR WHEEL **(0)	2		
	2	44650-LDE5-900	USE 44650-LDE5-C00	USE 44650-LDE5-C00	2		
	7	44701-LCA1-E00	RIM CAST FR **(0) C.2005.03.01	RIM CAST FR **(0) C.2005.03.01	2		
	1	44705-LDE5-900	WASHER 8*25	WASHER 8*25	2	3.25	
	6	90131-LCA1-E00	BOLT FLANGE 8*16	BOLT FLANGE 8*16	2	3.25	
	9	92201-08032-0H	BOLT HEX 8*32	BOLT HEX 8*32	6	3.25	
	10	94021-08020-0S	NUT HEX CAP 8MM	NUT HEX CAP 8MM	6	3.25	
	8	94101-08000	WASHER PLAIN 8MM	WASHER PLAIN 8MM	6	0.16	
	11	96130-68010-00	BEARING 6801ZZ **(0) C.2005.05.01	BEARING 6801ZZ **(0) C.2005.05.01	4		

F05

Rear Wheel

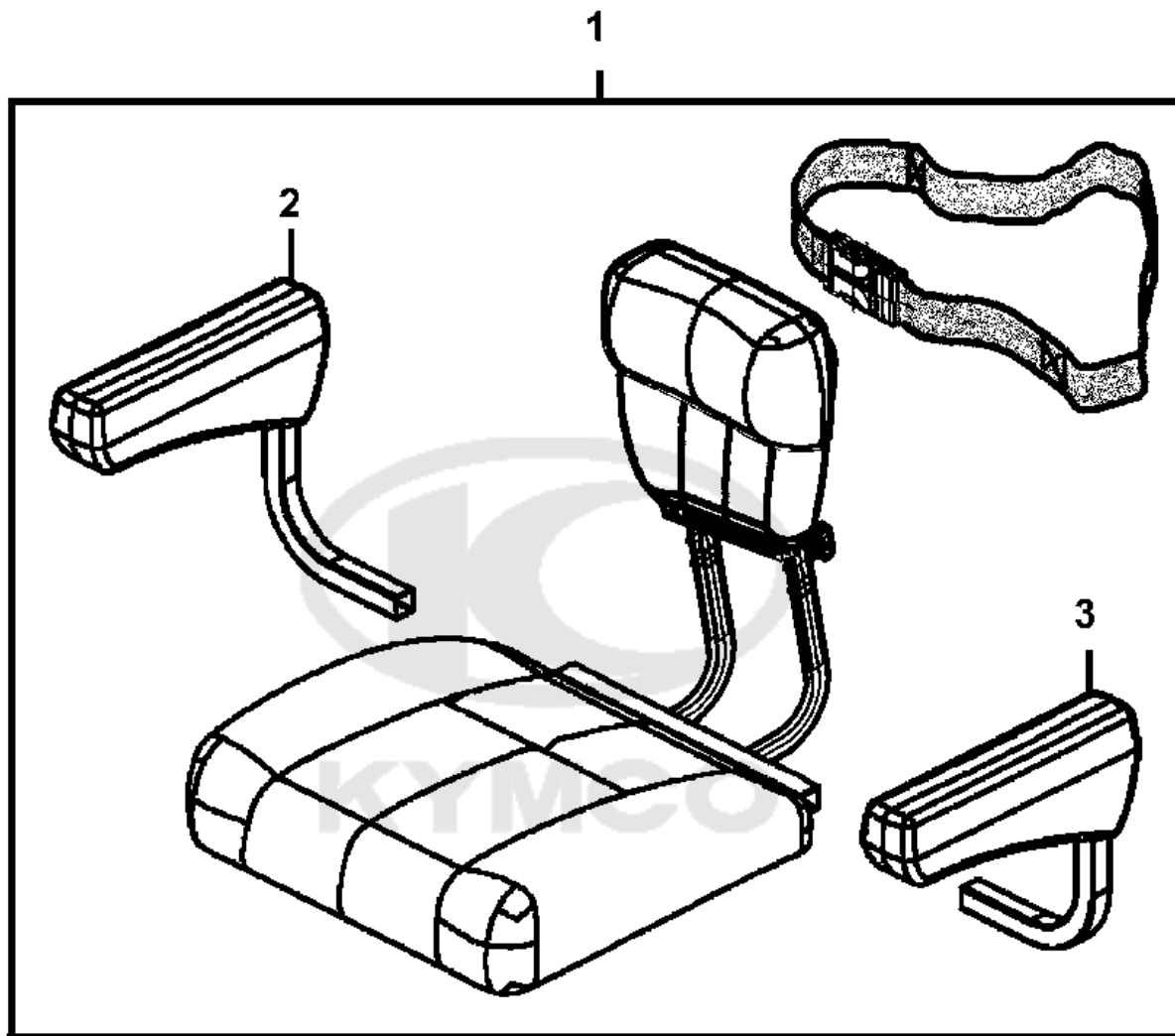


Sales mark	Ref no	Part no	Description	Reg description	Regd no	Ref Price	F05
6		42600-LDE5-E00	WHEEL ASSY RR/P202 **(2)	WHEEL ASSY RR/P202 **(2) C.2006.02.17	2		
9		42702-LCA1-E00	RIM COMP RR **(0) C.2005.03.01	RIM COMP RR **(0) C.2005.03.01	2		
1		42705-LCA1-E00	PLAIN WASHER 8*26	PLAIN WASHER 8*26	2	3.25	
10		42707-LCA1-E00	CONNECTOR RR WHEEL **(0)	CONNECTOR RR WHEEL **(0)	2		
8		4271A-LDE5-E00	TIRE ASSY FR	TIRE ASSY FR	2		
2		44701-LCA1-E00	RIM CAST FR **(0) C.2005.03.01	RIM CAST FR **(0) C.2005.03.01	2		
3		90131-LCA1-E00	BOLT FLANGE 8*16	BOLT FLANGE 8*16	2	3.25	
5		92201-08032-0H	BOLT HEX 8*32	BOLT HEX 8*32	6	3.25	
7		94021-08020-0S	NUT HEX CAP 8MM	NUT HEX CAP 8MM	6	3.25	
4		94101-08000	WASHER PLAIN 8MM	WASHER PLAIN 8MM	6	0.16	



F06

Seat



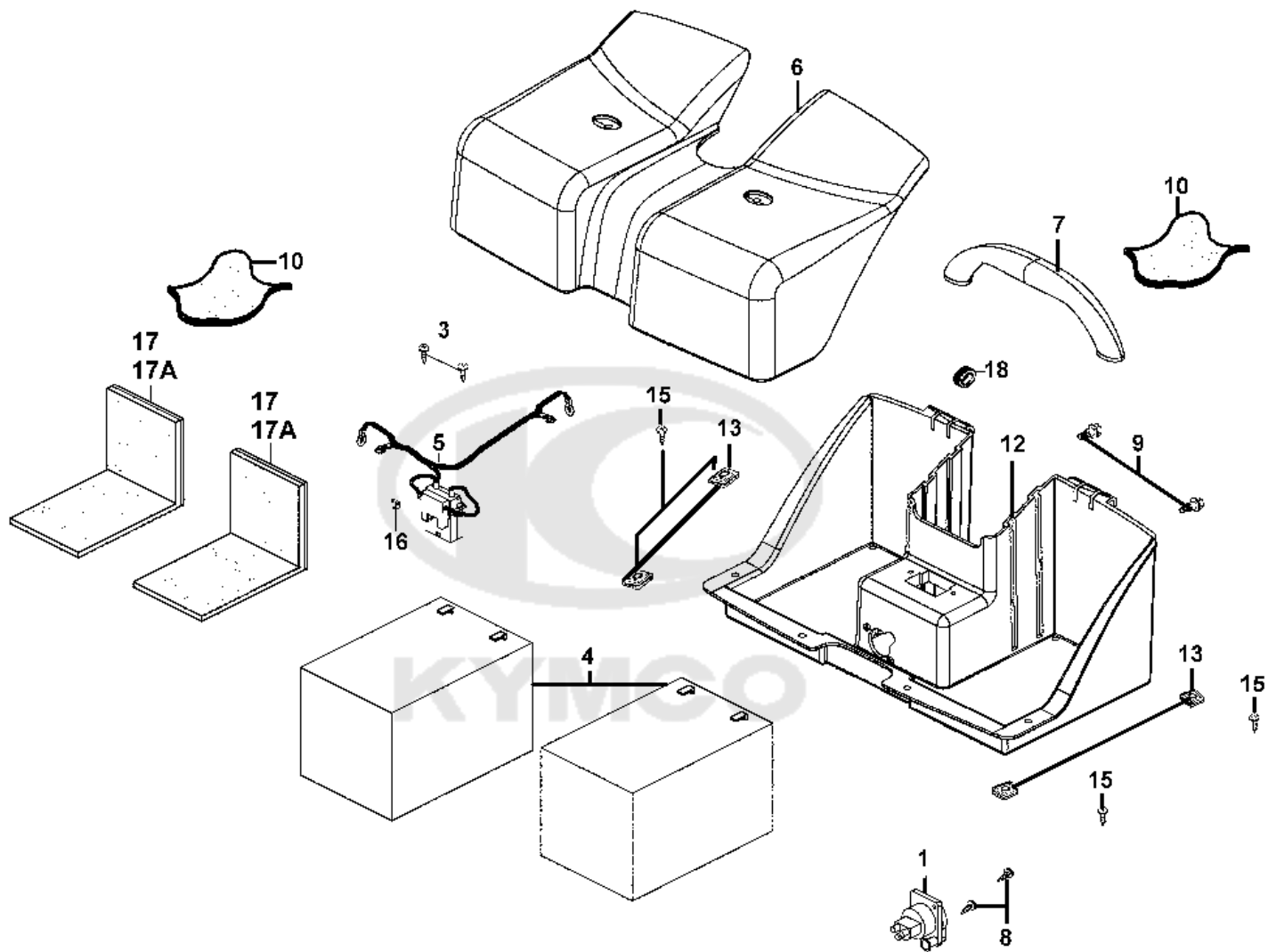
Sales mark	Ref no	Part no	Description	Reg description	Regd no	Ref Price	F06
------------	--------	---------	-------------	-----------------	---------	-----------	------------

2		77100-LCA1-E00	ORDER 77100-LCA1-C00	ORDER 77100-LCA1-C00	1		
1		77200-LCA1-E00	SEAT ASSY **(3) C.2006.01.27	SEAT ASSY **(3) C.2006.01.27	1		
3		77300-LCA1-E00	ORDER 77300-LCA1-C00	ORDER 77300-LCA1-C00	1		



F07

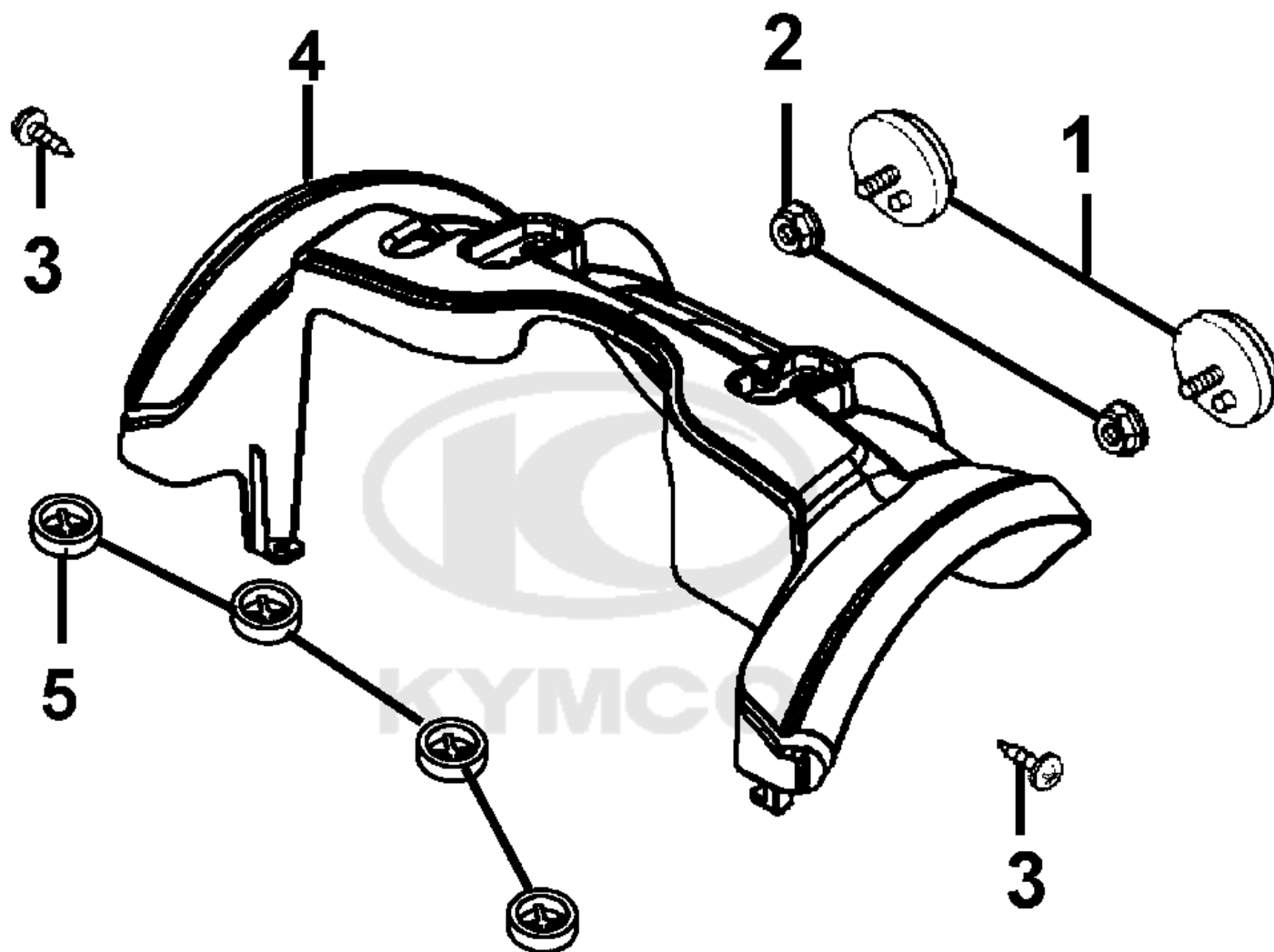
Battery



Sales mark	Ref no	Part no	Description	Reg description	Regd no	Ref Price	F07
	4	31500-LAE9-E0A	BATTERY 12V 12AH/YUASA **(0)	BATTERY 12V 12AH/YUASA **(0)	2		
	5	32201-LCA1-E00	CONNECT CORD BATTERY	CONNECT CORD BATTERY	1	18.20	
	1	32620-LAE9-E00	SOCKET CHARGER	SOCKET CHARGER	1	8.45	
	12	50325-LCA1-E00	CASE BATTERY	CASE BATTERY	1	16.25	
**	6	50326-LCA1-E00	COVER BATTERY **(0) C.2005.03.01	COVER BATTERY **(0) C.2005.03.01	1	16.25	
	7	50329-LAE9-E00	GRIP ALT 50329-LAE9-E01	GRIP ALT 50329-LAE9-E01	1		
	17	50330-LAE9-E00	SPONGE BATTERY	SPONGE BATTERY	2	0.98	
	17A	50330-LAE9-E01	SPONGE BATTERY	SPONGE BATTERY	2	3.25	
	10	50331-LAE9-E00	DUAL LOCK M	DUAL LOCK M	2	3.25	
	18	83551-KKAK-900	GROMMET AIR/C CASE **KAK-9000	GROMMET AIR/C CASE **KAK-9000	1	0.64	
	9	90302-GFY6-911	BOLT-WASH 5*12	BOLT-WASH 5*12	2	3.25	
	13	90677-LAC5-005	NUT CLIP 5MM (C) ALT 90677-GAR1-	NUT CLIP 5MM (C) ALT 90677-GAR1-004	6	3.25	
	8	93600-02008-0A	SCREW FLAT 2.5*8	SCREW FLAT 2.5*8	2	3.25	
	15	93891-05012-06	SCREW WASHER 5*12	SCREW WASHER 5*12	4	0.25	
	3	93903-34380-G	SCREW TAPPING 4x12	SCREW TAPPING 4x12	1	3.25	
	16	98200-34000	BLADE FUSE 40A	BLADE FUSE 40A	1	1.27	

F08

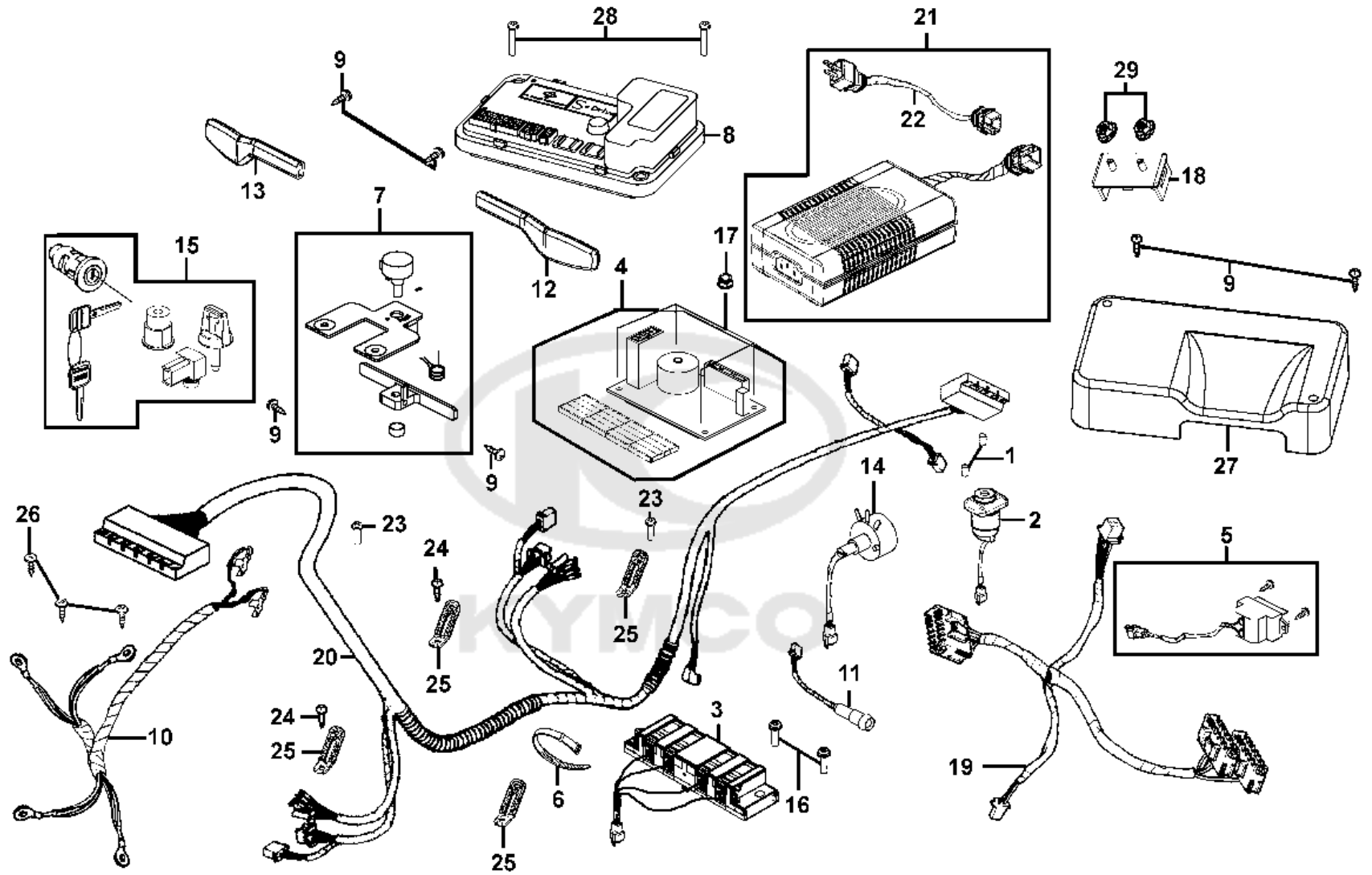
REFLEX REFLECTOR SIDE



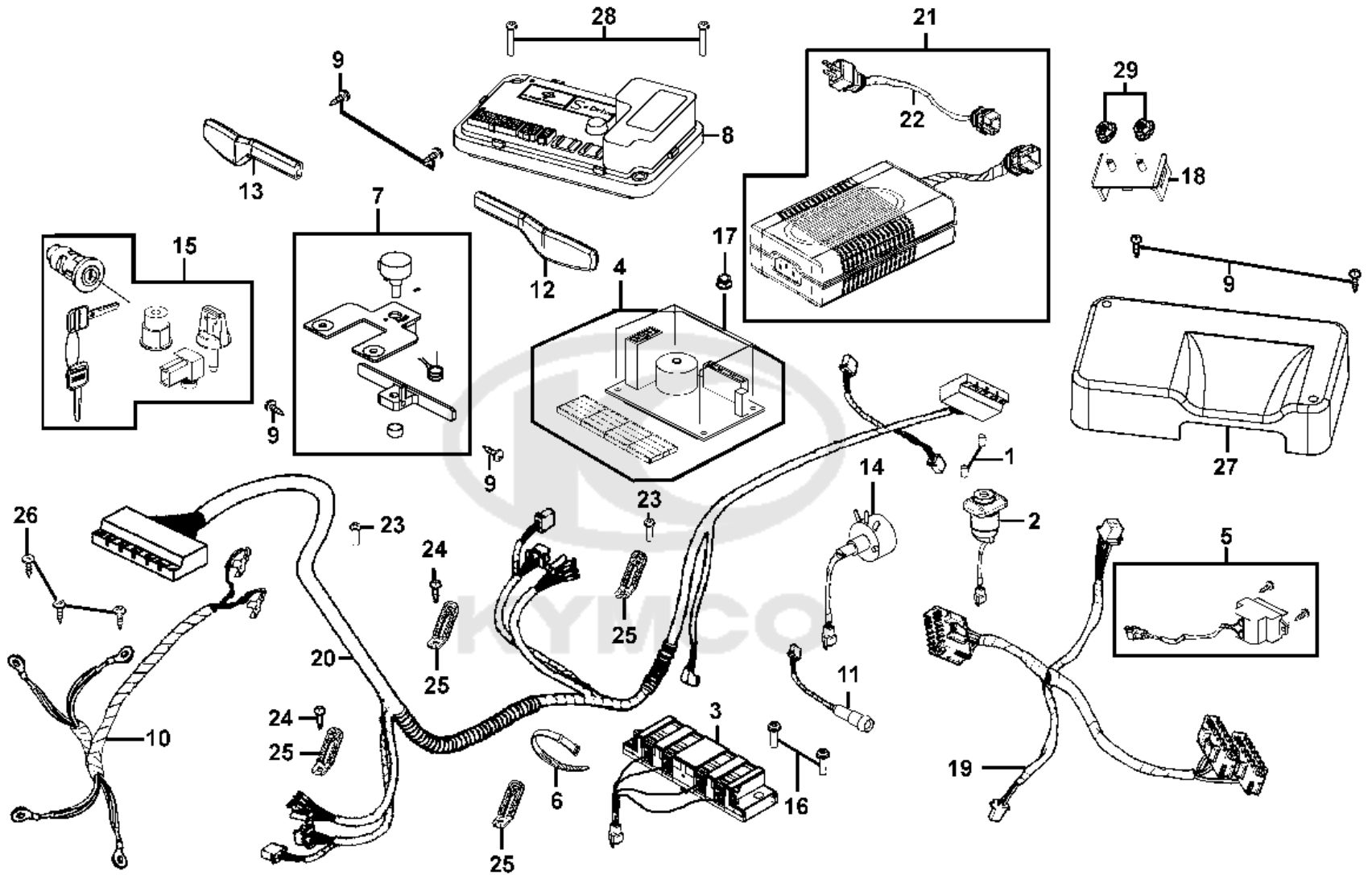
Sales mark	Ref no	Part no	Description	Reg description	Regd no	Ref Price	F08
------------	--------	---------	-------------	-----------------	---------	-----------	------------

	1	33731-KFA6-M00	USE 33731-KFA6-C00	USE 33731-KFA6-C00	2	3.25	
	5	64316-LAE9-E00	ORDER 64316-LAE9-C00	ORDER 64316-LAE9-C00	4	3.25	
**	4	83600-LDE5-900	COVER BODY **(1) C.2006.02.16	COVER BODY **(1) C.2006.02.16	1		
	3	93903-35260	SCREW TAPPING 5*12	SCREW TAPPING 5*12	2	0.50	
	2	94050-06080-G	NUT FLANGE 6MM	NUT FLANGE 6MM	2	0.49	

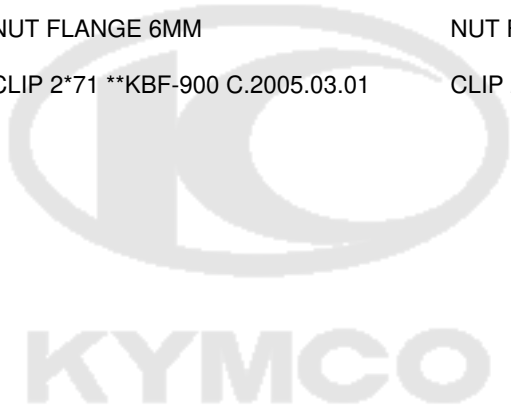




Sales mark	Ref no	Part no	Description	Reg description	Regd no	Ref Price	F09
	22	31280-LAC5-E20	CORD AC POWER	CORD AC POWER	1	6.50	
	21	31800-LAE9-E20	BATTERY CHARGER ASSY	BATTERY CHARGER ASSY	1	70.00	
	20	32100-LDE4-900	ORDER 32100-LDE4-C00 MAIN LOOM	ORDER 32100-LDE4-C00 MAIN LOOM	1		
	19	32101-LDE4-900	SUB HARNESS A **(3) C.V.	SUB HARNESS A **(3) C.V.	1		
	3	32102-LDE4-900	Obsolete	Obsolete	1		
	10	32404-LDE4-900	POWER CORD	POWER CORD	1	11.70	
	18	32610-LAE9-E00	COUPLER M BATTERY	COUPLER M BATTERY	1	13.00	
	2	32620-LAE9-E01	SOCKET CHARGER	SOCKET CHARGER	1	8.45	
	7	34010-LAC5-900	THROTTLE	THROTTLE	1	39.00	
	15	35101-LAE9-E00	AIT 35101-LAE9-E01	AIT 35101-LAE9-E01	1	16.25	
	14	35115-LAC5-900	SPEED POT 20K?	SPEED POT 20K?	1	11.70	
	8	36000-LCA1-E00	ELEC CONTROLLER UNIT **(0)	ELEC CONTROLLER UNIT **(0)	1	150.00	
	4	36100-LAE9-E00	CONTROL METER	CONTROL METER	1		
	13	36108-LAE9-E01	LEVER RH THROTTLE **(0)	LEVER RH THROTTLE **(0) C.2005.03.01	1		
	12	36109-LAE9-E01	LEVER LH THROTTLE **(0)	LEVER LH THROTTLE **(0) C.2005.03.01	1		
	11	36110-LAE9-E00	LED	LED	1	3.25	
	5	37806-LAE9-E00	VU METER	VU METER	1	16.25	
	27	80101-LCA1-E00	COVER ELECTRIC CONTROLLE	COVER ELECTRIC CONTROLLE	1		
	6	90656-KCBC-900	BAND OIL HANDLE **9000 C.2005.03.01	BAND OIL HANDLE **9000 C.2005.03.01	1	0.50	
	28	93500-04058-0A	SCREW PAN 4*58	SCREW PAN 4*58	2		

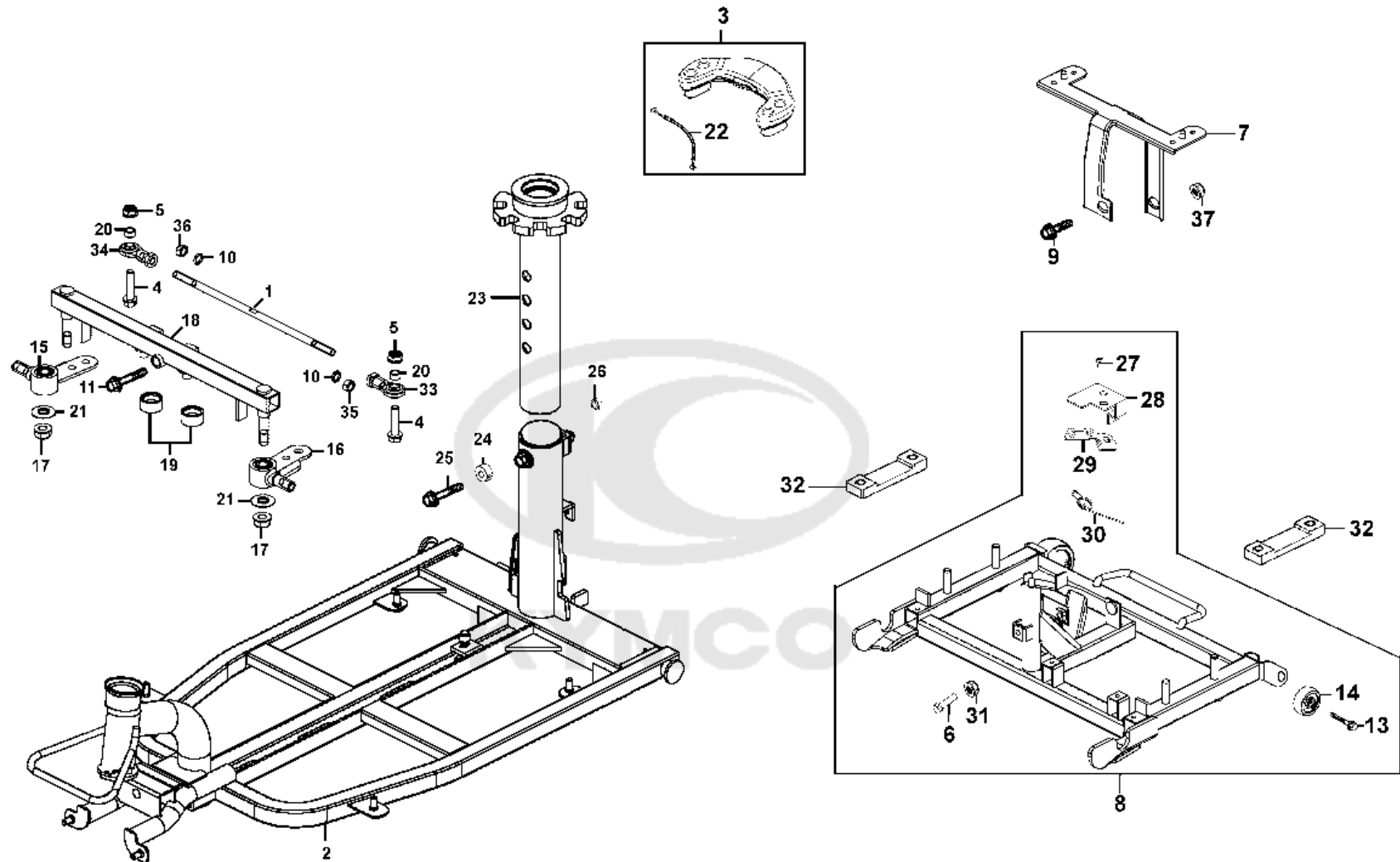


Sales mark	Ref no	Part no	Description	Reg description	Regd no	Ref Price	F09
23		93500-05020-0A	SCREW PAN 5*20	SCREW PAN 5*20	2		
1		93600-02008-0A	SCREW FLAT 2.5*8	SCREW FLAT 2.5*8	2	3.25	
16		93891-05012-06	SCREW WASHER 5*12	SCREW WASHER 5*12	2	0.25	
9		93901-32120	SCREW TAPPING 3*8 **(1) C.V.	SCREW TAPPING 3*8 **(1) C.V.	6	0.26	
24		93903-34380-G	SCREW TAPPING 4x12	SCREW TAPPING 4x12	1	3.25	
26		93903-35320	SCREW TAPPING 5*16	SCREW TAPPING 5*16	1	0.25	
17		94001-04080-0S	NUT HEX 4MM	NUT HEX 4MM	4	3.25	
29		94050-06080-G	NUT FLANGE 6MM	NUT FLANGE 6MM	2	0.49	
25		94591-KFBF-900	CLIP 2*71 **KBF-900 C.2005.03.01	CLIP 2*71 **KBF-900 C.2005.03.01	4	0.50	



F10

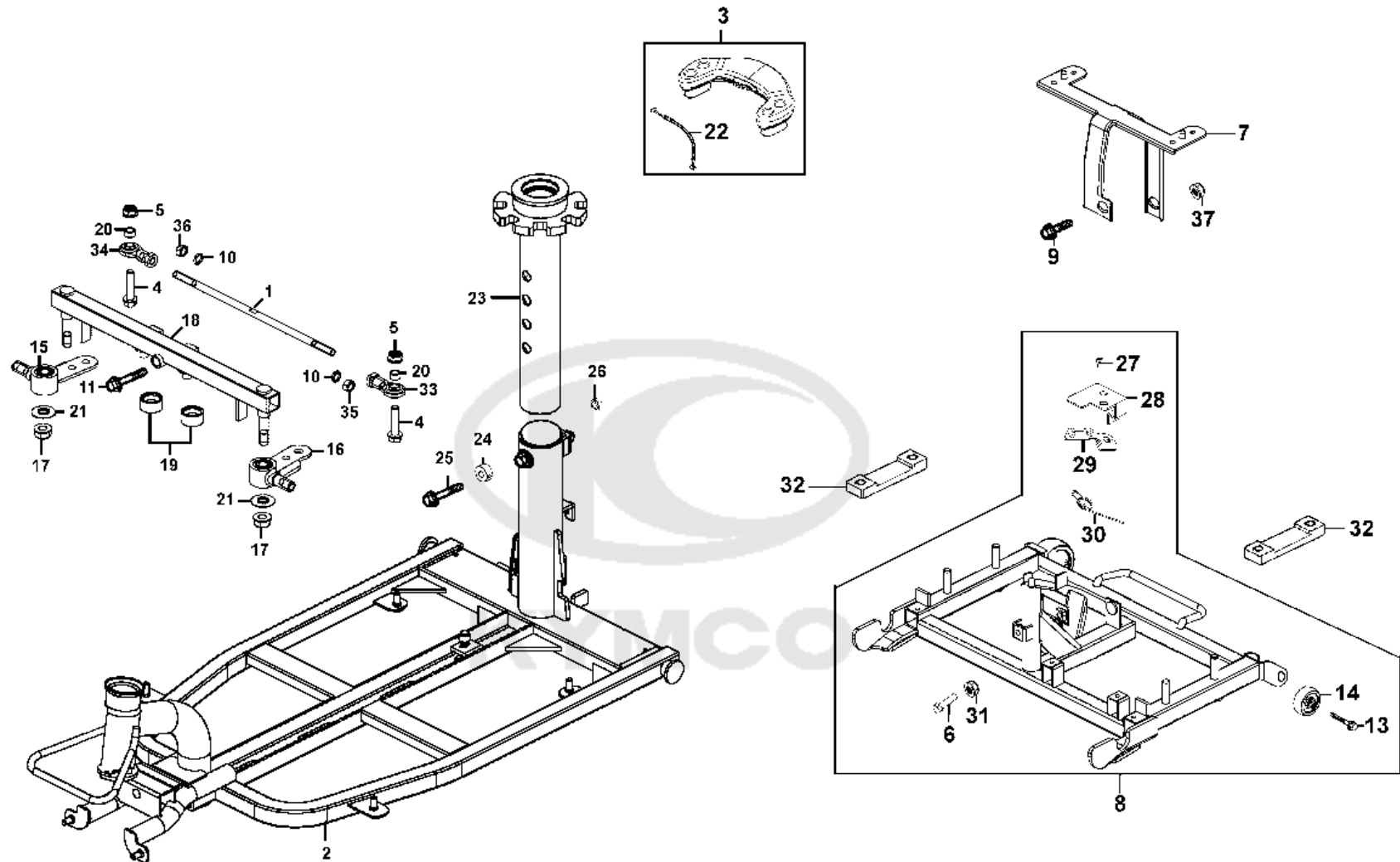
Frame Body



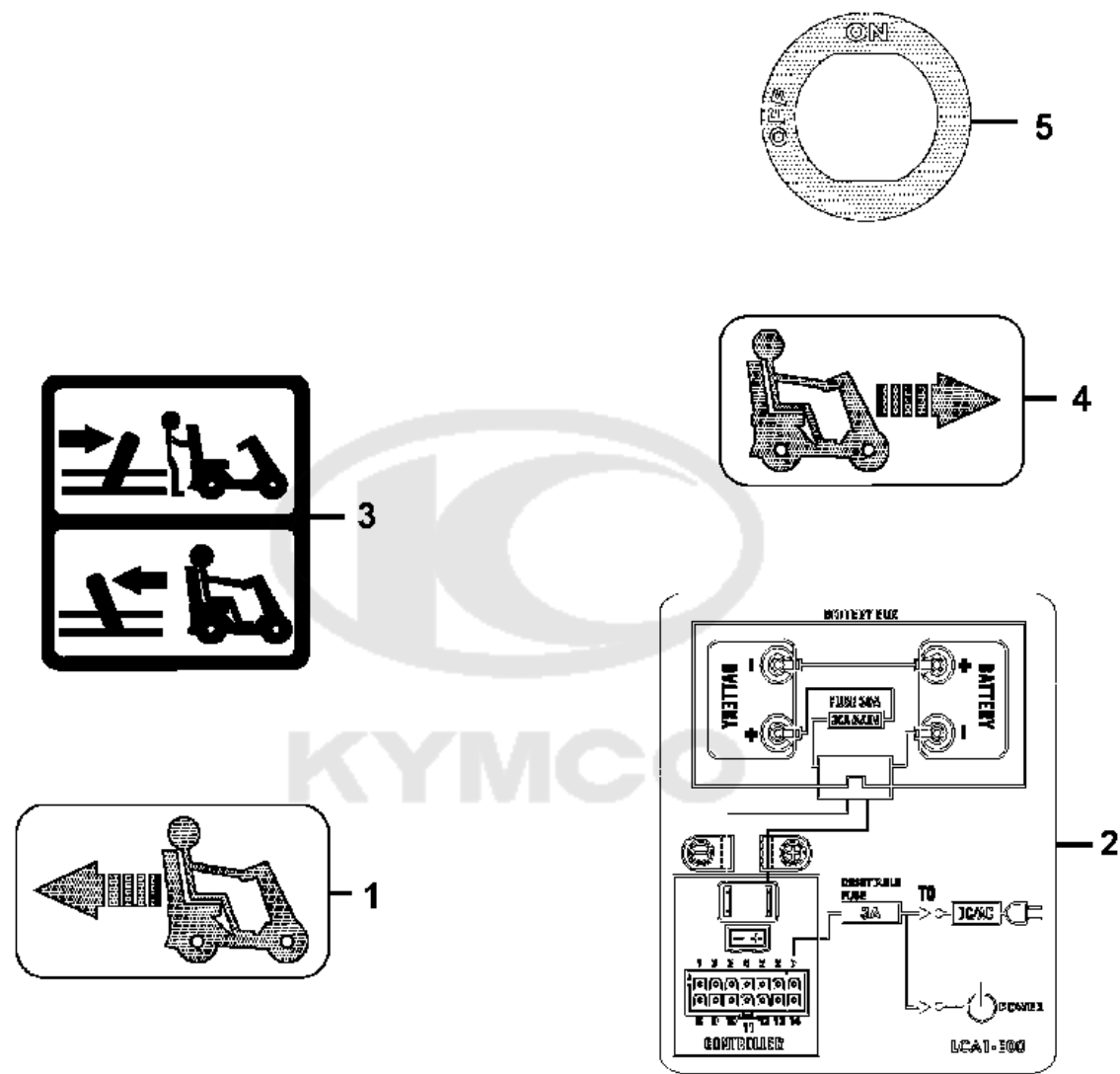
Sales mark	Ref no	Part no	Description	Reg description	Regd no	Ref Price	F10
	14	42800-LAC5-900	ANTI-TIP WHEEL	ANTI-TIP WHEEL	2	3.25	
	15	4740A-LDE5-900	ALT 4740A-LDE5-C00	ALT 4740A-LDE5-C00	1	11.70	
	16	4750A-LDE5-900	SHAFT ASSY LH SWING	SHAFT ASSY LH SWING	1	23.40	
	2	5011A-LDE5-900	FRAME ASSY	FRAME ASSY	1		
	8	5012A-LDE5-900	REAR FRAMEA ASSY	REAR FRAMEA ASSY	1		
	23	50135-LDE5-900	PIPE B SEAT SET	PIPE B SEAT SET	1	18.20	
	7	50226-LDE5-900	STAY RR CARRIER **(2) C.2006.02.16	STAY RR CARRIER **(2) C.2006.02.16	1		
	22	50243-LDE5-900	CABLE RR FRAME LOCK **(2)	CABLE RR FRAME LOCK **(2)	1		
	29	50245-LDE5-900	STAY RR FRAME LOCK **(1)	STAY RR FRAME LOCK **(1) C.2006.02.16	1		
	30	50246-LDE5-900	SPRING RR FRAME LOCK **(1)	SPRING RR FRAME LOCK **(1)	1		
	28	50247-LDE5-900	STAY LOCK **(1) C.2006.02.16	STAY LOCK **(1) C.2006.02.16	1		
	24	50303-LAC5-900	COLLAR SEAT SET PIPE	COLLAR SEAT SET PIPE	1	3.25	
	32	50305-LDE5-900	RUBBER GEAR BOX	RUBBER GEAR BOX	2	6.50	
	18	53401-LDE5-900	ORDER 53401-LDE5-C00	ORDER 53401-LDE5-C00	1	22.75	
	19	53403-LBB7-E00	RUBBER SWING ARM	RUBBER SWING ARM	2	3.25	
	21	53405-LDE5-900	WASHER **(1) C.2006.02.17	WASHER **(1) C.2006.02.17	2		
	1	53701-LDE5-900	ROD SWING ARM M8*248 **(2)	ROD SWING ARM M8*248 **(2)	1		
	34	53702-LDE5-900	BALL RH JOINT **(0) C.2006.02.17	BALL RH JOINT **(0) C.2006.02.17	1	16.25	
	33	53703-LDE5-900	BALL LH JOINT **(0) C.2006.02.17	BALL LH JOINT **(0) C.2006.02.17	1	16.25	
	20	53705-LDE5-900	COLLAR SW ING ARM ROD	COLLAR SW ING ARM ROD	2	3.25	

F10

Frame Body

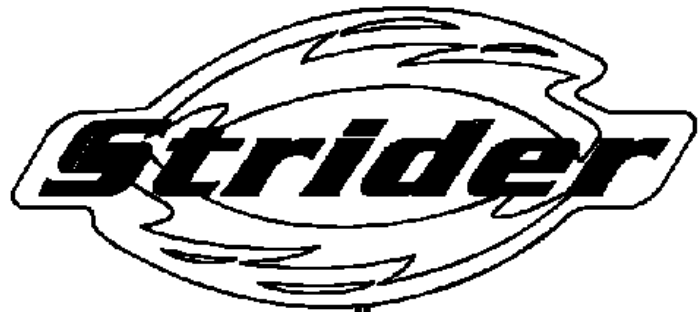


Sales mark	Ref no	Part no	Description	Reg description	Regd no	Ref Price	F10
**	3	8120A-LDE5-900	RR GRIP ASSY **(1) C.2006.02.16	RR GRIP ASSY **(1) C.2006.02.16	1		
	17	90304-GHE8-004	NUT U 10MM **GE8-0040 C.2005.03.01	NUT U 10MM **GE8-0040 C.2005.03.01	2	0.68	
	5	90309-GLW0-90A	NUT U FLANGE 8MM **(0) C.2009.03.05	NUT U FLANGE 8MM **(0) C.2009.03.05	2	0.85	
	27	93500-04012-0HG	SCREW PAN 4*12	SCREW PAN 4*12	1	3.25	
	31	94001-06080-0SG	NUT HEX 6MM	NUT HEX 6MM	1	3.25	
	36	94001-08080-0S	NUT HEX 8MM	NUT HEX 8MM	1	0.49	
	35	94001-LAC5-900	NUT HEX 8MM L	NUT HEX 8MM L	1	0.55	
	37	94050-06080-G	NUT FLANGE 6MM	NUT FLANGE 6MM	1	0.49	
	26	94050-08060	NUT FLANGE 8MM	NUT FLANGE 8MM	1	0.49	
	10	94111-08800	WASHER SPRING 8MM	WASHER SPRING 8MM	2	0.33	
	9	95701-06012-06	BOLT FLANGE 6*12 **07 C.2005.07.01	BOLT FLANGE 6*12 **07 C.2005.07.01	1	0.47	
	13	95701-06035-08G	BOLT FLANGE 6*35	BOLT FLANGE 6*35	2	3.25	
	25	95701-08070-07	BOLT FLANGE 8*70	BOLT FLANGE 8*70	1	3.25	
	4	95801-08045-08G	BOLT FLANGE 8*45	BOLT FLANGE 8*45	1	0.49	
	11	95801-10070-06	BOLT FLANGE 10*70	BOLT FLANGE 10*70	1	0.83	
	6	96700-06016-07	SOCKET BOLT 6*16	SOCKET BOLT 6*16	1		



Sales mark	Ref no	Part no	Description	Reg description	Regd no	Ref Price	F11
**	3	87501-LAE9-E00	USE CAUTION SILVER	USE CAUTION SILVER	1	3.25	
**	4	87560-LAE9-E00	MARK R DRIVE CAUTION	MARK R DRIVE CAUTION	1	3.25	
**	5	87564-LAE9-E00	Obsolete	Obsolete	1		
**	1	87660-LAE9-E00	MARK L DRIVE CAUTION	MARK L DRIVE CAUTION	1	3.25	





1



2



3

Sales mark	Ref no	Part no	Description	Reg description	Regd no	Ref Price	F12
------------	--------	---------	-------------	-----------------	---------	-----------	------------

**	1	86020-LAC5-E20	EMB DMA STRIDER	EMB DMA STRIDER	1		
**	3	86407-LAE9-E00	STRIPE METER	STRIPE METER	1	3.25	



PART NO. INDEX

PART NO.	VERSION	PAGE	PART NO.	VERSION	PAGE	PART NO.	VERSION	PAGE
11000			33000			37000		
1110A-LCA1-E00	3	E01	33731-KFA6-M00	1	F08	37806-LAE9-E00	3	F09
31000			34000			42000		
31280-LAC5-E20	2	F09	34010-LAC5-900	7	F09	42600-LDE5-E00	5	F05
31300-LDE4-900	3	E01				42702-LCA1-E00	2	F04
31350-LCA1-E00	0	E01	35000			42702-LCA1-E00	2	F05
31500-LAE9-E0A	1	F07				42705-LCA1-E00	2	F05
31800-LAE9-E20	1	F09	35101-LAE9-E00	3	F09	42707-LCA1-E00	3	F05
32000			35110-LAC5-900	5	F01	4271A-LDE5-E00	3	F04
32100-LDE4-900	3	F09	35115-LAC5-900	1	F09	4271A-LDE5-E00	3	F05
32101-LDE4-900	3	F09	35180-LAC5-900	4	F01	42800-LAC5-900	6	F10
32102-LDE4-900	1	F09	36000			44000		
32201-LCA1-E00	3	F07	36000-LCA1-E00	1	F09	44600-LDE5-E00	5	F04
32404-LDE4-900	3	F09	36100-LAE9-E00	1	F09	44620-LDE5-900	2	F04
32610-LAE9-E00	2	F09	36108-LAE9-E01	1	F09	44650-LDE5-900	2	F04
32620-LAE9-E00	1	F07	36109-LAE9-E01	1	F09	44701-LCA1-E00	3	F04
32620-LAE9-E01	1	F09	36110-LAE9-E00	3	F09	44701-LCA1-E00	3	F05
						44705-LDE5-900	3	F04

PART NO. INDEX

PART NO.	VERSION	PAGE	PART NO.	VERSION	PAGE	PART NO.	VERSION	PAGE
47000			50331-LAE9-E00	1	F07			
			50350-LDE5-900	1	E01	64000		
4740A-LDE5-900	3	F10	53000			64302-LDE5-900	1	F02
4750A-LDE5-900	1	F10				64310-LDE5-900	3	F02
			5310C-LDE5-900	2	F01	64310-LDE5-E00	3	F02
50000			53166-LAE9-E00	3	F01	64311-LDE5-900	1	F02
			53200-LDE5-900	4	F03	64312-LBE1-900	2	F02
5010A-LDE5-900	3	F01	53205-LAE9-E00	0	F01	64316-LAE9-E00	2	F08
5011A-LDE5-900	0	F10	53206-LAE9-E00	9	F01	64320-LDE5-900	1	F02
5012A-LDE5-900	2	F10	5320B-LDE5-900	0	F03			
50135-LDE5-900	1	F10	53211-LCA1-E00	1	F03	77000		
50150-LAE9-E00	1	F01	53212-LDB4-004	1	F03			
50226-LDE5-900	3	F10	53401-LDE5-900	4	F10	77100-LCA1-E00	2	F06
50243-LDE5-900	3	F10	53403-LBB7-E00	1	F10	77200-LCA1-E00	4	F06
50245-LDE5-900	3	F10	53405-LDE5-900	2	F10	77300-LCA1-E00	2	F06
50246-LDE5-900	2	F10	53701-LDE5-900	3	F10			
50247-LDE5-900	3	F10	53702-LDE5-900	3	F03	80000		
50303-LAC5-900	4	F10	53702-LDE5-900	3	F10			
50305-LDE5-900	2	F10	53703-LDE5-900	3	F03	80101-LCA1-E00	2	F09
50306-LCA1-E00	2	F03	53703-LDE5-900	3	F10			
50325-LCA1-E00	3	F07	53705-LDB4-900	2	F03	81000		
50326-LCA1-E00	1	F07	53705-LDE5-900	3	F10			
50329-LAE9-E00	2	F07	53801-LDE5-900	3	F03	8120A-LDE5-900	2	F10
50330-LAE9-E00	1	F07	53805-LDE5-900	3	F03			
50330-LAE9-E01	1	F07						

PART NO. INDEX

PART NO.	VERSION	PAGE	PART NO.	VERSION	PAGE	PART NO.	VERSION	PAGE
83000			90000			93600-02008-0A	0	F07
83551-KKAK-900	0	F07	90131-LCA1-E00	2	F04	93600-02008-0A	0	F09
83600-LDE5-900	3	F08	90131-LCA1-E00	2	F05	93891-04012-06	0	E01
			90301-LAC5-001	1	F02	93891-05012-06	0	F07
86000			90301-LAC5-671	1	F02	93891-05012-06	0	F09
86020-LAC5-E20	1	F12	90302-GFY6-911	1	F07	93901-32120	1	F09
86102-LAC5-E21	1	F12	90302-LLB1-E00	2	F01	93903-14380-G	0	F02
86407-LAE9-E00	2	F12	90304-GHE8-004	0	F10	93903-34380-G	0	F01
			90309-GLW0-90A	1	F03	93903-34380-G	0	F07
			90309-GLW0-90A	1	F10	93903-34380-G	0	F09
87000			90656-KCBC-900	0	F09	93903-35260	0	F02
87501-LAE9-E00	3	F11	90677-LAC5-005	1	F07	93903-35260	0	F08
87508-LCA1-E00	3	F11				93903-35320	4	F09
87560-LAE9-E00	3	F11	92000			94000		
87564-LAE9-E00	4	F11	92201-08032-0H	0	F04	94001-04080-0S	0	F09
87660-LAE9-E00	3	F11	92201-08032-0H	0	F05	94001-06080-0SG	0	F10
						94001-08080-0S	0	F03
88000			93000			94001-08080-0S	0	F10
88120-LAC5-910	4	F01	93500-04012-0HG	0	F10	94001-LAC5-900	2	F03
88130-LAC5-900	2	F01	93500-04014-0G	0	F01	94001-LAC5-900	2	F10
			93500-04058-0A	0	F09	94021-06080-0S	0	F01
			93500-05020-0A	0	F09	94021-08020-0S	0	F04
						94021-08020-0S	0	F05
						94050-06080-G	1	F08

PART NO. INDEX

PART NO.	VERSION	PAGE	PART NO.	VERSION	PAGE	PART NO.	VERSION	PAGE
94050-06080-G	1	F09	96700-06016-07	0	F10			
94050-06080-G	1	F10	96700-LDE5-900	5	F01			
94050-08060	0	F10						
94050-08080-G	1	E01	98000					
94101-08000	0	F04						
94101-08000	0	F05	98200-34000	0	F07			
94111-08800	0	F03						
94111-08800	0	F10						
94591-KFBF-900	2	F09						
94591-LCA1-E00	0	E01						
95000								
95701-06012-06	1	F10						
95701-06035-08G	1	F10						
95701-08070-07	0	F10						
95801-08030-08G	0	F03						
95801-08045-08G	0	F10						
95801-08070-08G	0	F03						
95801-10070-06	1	F10						
96000								
96130-68010-00	1	F04						
96211-05000	26	F03						
96600-06020-06	0	E01						