

 **SUNRISE
MEDICAL**



**STERLING[®]
SAPPHIRE**



**Spare Parts
Catalogue**

STERLING

**INNOVATE.
BUILD FOR THE FUTURE**



This product is manufactured to comply with the Medical Device Directive 93/42/EEC.

Use of Illustrations & Text:

The illustrations and accompanying text set out in this document are the property of Sunrise Medical Limited and must not be copied or used for manufacturing, tendering or any other purpose without written consent from Sunrise Medical.

Ordering:

Item numbers shown as N/A are for reference purposes only and should not be used when ordering replacement parts. Always quote the correct serial number and part number.

Quality Management Systems:

Sunrise Medical Limited is accredited to ISO 9001: 2000, which is the internationally recognised standard for quality management systems, as well as ISO 13485: 2003, which specially governs Medical Devices. These approvals ensure that we provide quality in all areas of our business from development through to final delivery.

Parts Disclaimer:

It is potentially hazardous to fit or use any parts other than genuine Sunrise Medical parts. The company disclaims all liability for the consequences of such use, which in addition voids the product warranty.

This product is for the carriage of one person and must not under any circumstances be used for any other purpose.

Queries:

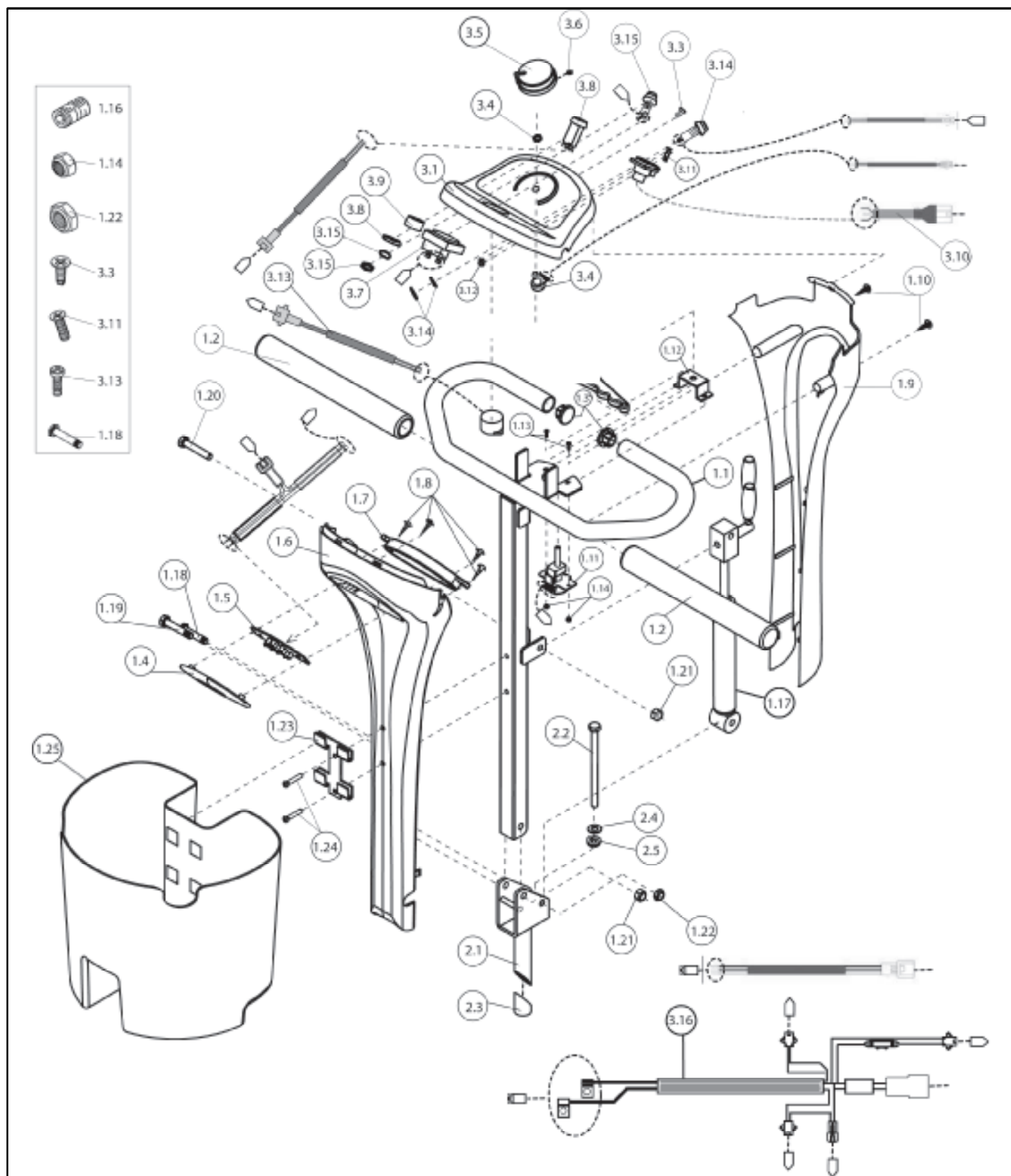
Should you have any queries then please contact Sunrise Medical Ltd on

Tel: +44 (0)1384 44 66 44

Fax: +44 (0)1384 44 66 22

STERLING Sapphire 2.....	4
TILLER.....	4
Sapphire 2 - TILLER	4
FRAME	7
Sapphire 2 - FRONT FRAME.....	7
Sapphire 2 - REAR FRAME	9
PANELS.....	11
Sapphire 2 - FRONT PANEL	11
SEAT.....	13
Sapphire 2 - SEAT	13
WHEEL	15
Sapphire 2 - FRONT WHEEL	15
Sapphire 2 - 10" REAR WHEEL	16
AXLE.....	17
Sapphire 2 - FRONT AXLE	17
MOTOR AND DRIVE TRAIN	19
Sapphire 2 - TRANSAXLE & MOTOR	19
BATTERY	21
Sapphire 2 - BATTERIES	21

Sapphire 2 - TILLER

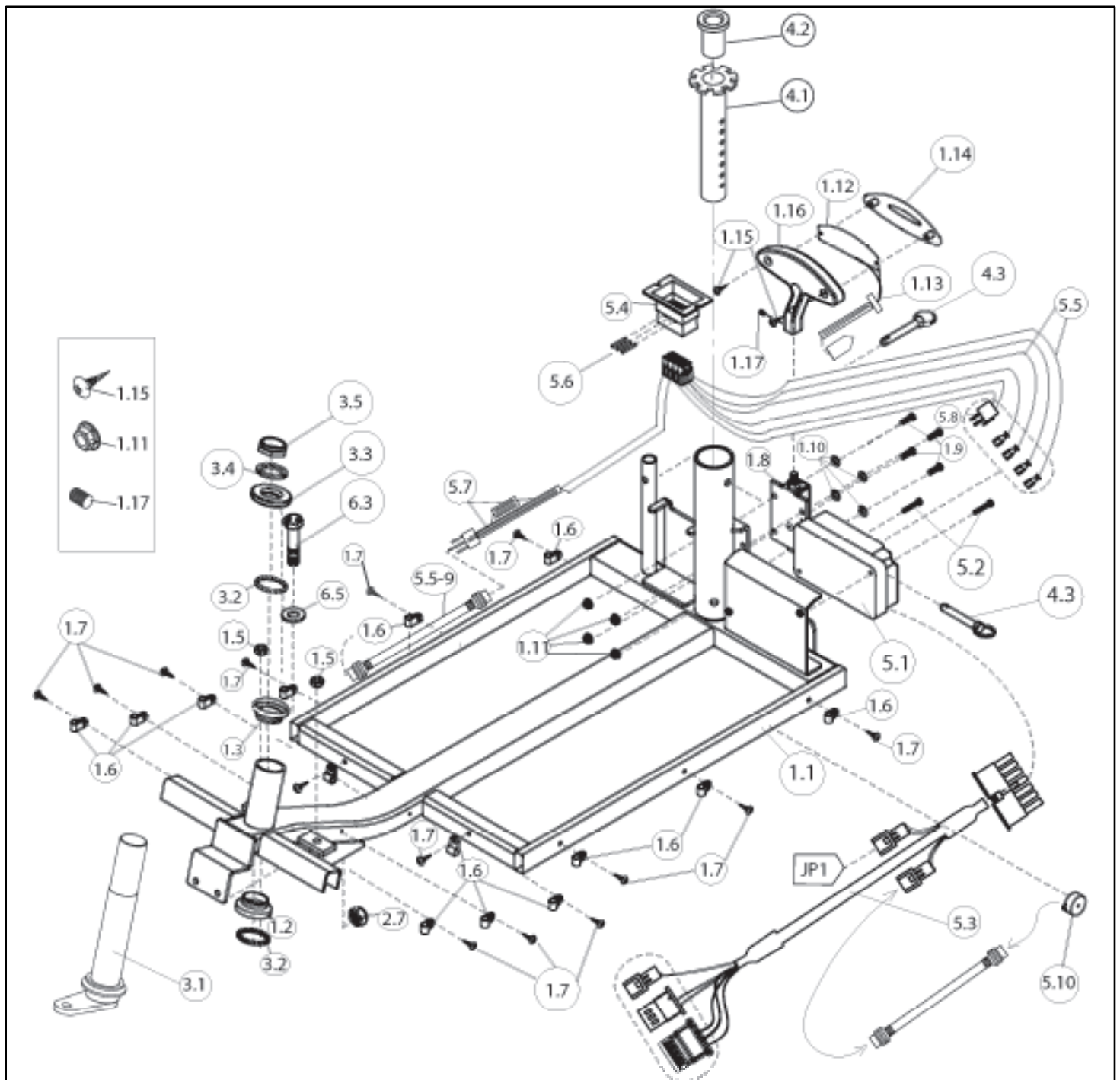


Pos.	Item number	Description
1.1-3.16	IDASM001R	TILLER ASSEMBLY (RED)
1.1-3.16	IDASM001B	TILLER ASSEMBLY (BLUE)
1.11 - 1.14	IDEC11-1	WIG WAG POTENTIOMETER ASSEMBLY
1.2	IDI023	HAND GRIP SPONGE (255 LONG)
1.4	IDI017	FRONT LIGHT LENS (OPAQUE)
1.5	IDE016	FRONT LIGHT L.E.D.S. (PCB)
1.6	IDI005R	TILLER FRONT COVER (RED)
1.6	IDI005B	TILLER FRONT COVER (BLUE)
1.9	IDI006	TILLER REAR COVER (BLACK)
1.17	IDT009	HYDRAULIC CYLINDER (360N/M)
1.25	IDC009-1	BASKET (TILLER LOCKING)
2.1-2.5	IDSUB002	TILLER BASE JOINT KIT
3.1-3.16	IDSUB003	CONSOLE ASSY COMPLETE
3.4	B501022	SPEED POTENTIOMETER
3.5	229088-1	SPEED POTENTIOMETER KNOB
3.8	IDE021	KEY SWITCH WIRE (WITH KEY)
3.14	IDE013-1	HORN S/W WIRE(YELLOW)
3.15	IDE010-2	LIGHT S/W WIRE(BLUE)
n/s	IDEC10	FUSE 2A (FOR IGNITION WIRE)
n/s	IDEC08	SPARE KEY
	----	-- THE FOLLOWING PARTS ARE FOR REFERENCE ONLY --
1.1-1.25	N/A	TILLER SUB ASSEMBLY
1.1	N/A	TILTING TILLER(POWDER COAT)
1.3	N/A	HAND GRIP PLUG,PE BLACK
1.7	N/A	FRONT LIGHT HOUSING
1.8	N/A	P+T/S,M4,BLACK
1.10	N/A	P+T/S,M5X18L
1.11	N/A	COSMOS POTENTIOMETER SUB
1.12	N/A	THROTTLE SUPPORT BRACKET(Zn)
1.13	N/A	P+M/S,M3X12L
1.14	N/A	NYLON NUT,M3
1.15	N/A	WIG WAG THROTTLE LEVER (BLACK)
1.16	N/A	SET SCREW,M4X6L
1.18	N/A	HEX BOLT,M8X39LX6S
1.19	N/A	HEX BOLT,M8X42LX10S
1.20	N/A	HEX BOLT,M8X45LX10S
1.21	N/A	NYLON NUT,M8
1.22	N/A	NYLON NUT,M8X5t
1.23	N/A	BASKET BRACKET(POWDER COAT)

Sapphire 2 - TILLER

Pos.	Item number	Description
1.24	N/A	P+M/S,M5X39L
2.1	N/A	TILTING CONNECTOR (POWDER COAT)
2.2	N/A	HEX BOLT,M8X120LX50S
2.3	N/A	TAPER NUT
2.4	N/A	PLAIN WASHER
2.5	N/A	SPRING WASHER,M8,BLACK
3.1	N/A	TILLER TOP COVER
3.2	N/A	FASCIA DECAL
3.3	N/A	C+T/S,M4X12L,2 BLACK
3.6	N/A	SET SCREW,M4X6L
3.7	N/A	V-METER (LED/BLUE)
3.9	N/A	KEY S/W SPACER,SPS,22.2X1.5t,Zn
3.10	N/A	CHARGER EXTENSION WIRE
3.11	N/A	C+M/S,M3X12,Zn
3.12	N/A	NYLON NUT,M3
3.13	N/A	BUZZER WIRE
3.16	N/A	TILLER CONTROL LOOM

Sapphire 2 - FRONT FRAME

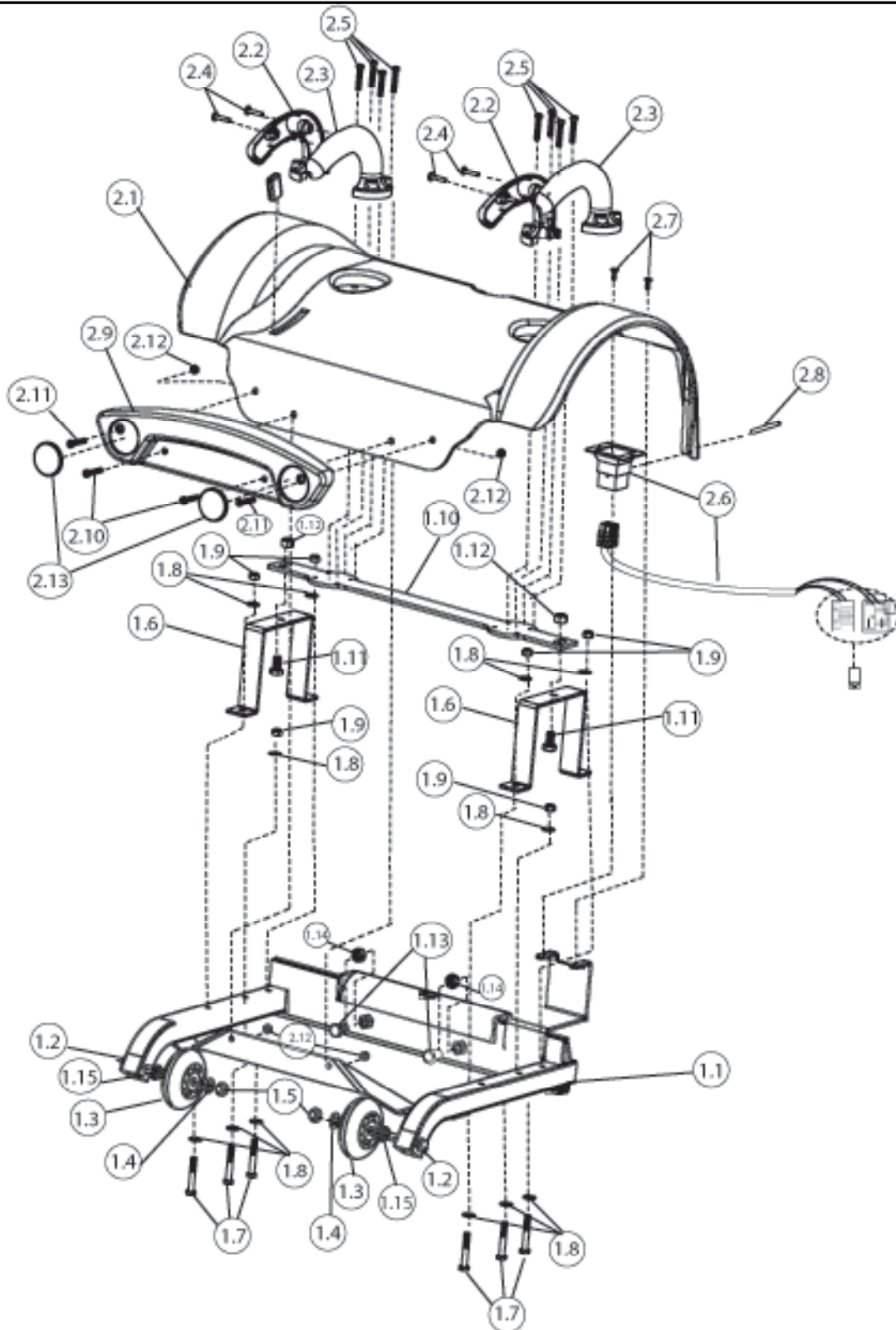


Pos.	Item number	Description
1.8	IDEC04	LOCK ASSY - DEDOCK LATCH
1.12	IDEC09	REAR LIGHT L.E.D.S. (PCB)
1.14	IDI018	REAR LIGHT LENS (RED)
1.16	IDF027-3	HANDLE - DEDOCK LATCH
3.1-3.5	IDSUB007	STEERING HEAD ASSY
4.1-4.4	IDSUB008	SEAT POST ASSY

Sapphire 2 - FRONT FRAME

Pos.	Item number	Description
4.3	IDF029	LOCKING PIN - SEAT POST Φ 8X56L
5.3	IDE003-1	MAIN CONTROL LOOM INCLUDES CHARGING LOOM
5.6	IDI030	CONNECTOR RETAINING PIN
5.1-5.9	IDSUB009	CONTROLLER & WIRE SUB
n/s	320166	FUSE 7.5A BLADE (CHARGE CIRCUIT)
N/S	IDSUB023	LOCKING PIN ASSEMBLY - SEAT POST AND BATTERY
N/S	172659.4203	PGDT SP1A PROGRAMMER
	----	-- THE FOLLOWING PARTS ARE FOR REFERENCE ONLY --
1.1-1.17	N/A	FRONT FRAME SUB ASSEMBLY
1.1	N/A	FRONT FRAME(POWDER COAT)
1.2	N/A	LOWER HEAD CONE, SBC31/ Φ 42X18L/Cr
1.3	N/A	UPPER HEAD CONE, SBC31/ Φ 42X15L/Cr
1.4	N/A	HEX BOLT(GIMBLE STOP),M8X45LX15S
1.5	N/A	HEX NUT,M8,RH
1.6	N/A	WIRE SADDLE
1.7	N/A	T+T/S,M4X8L, 2
1.9	N/A	P+M/S,M5X16L
1.10	N/A	PLAIN WASHER,M5
1.11	N/A	FLANGE NUT,M5
1.13	N/A	REAR LIGHT WIRE
1.15	N/A	C+T/S,M4X12L,2 BLACK
1.17	N/A	SET SCREW,M4X6L
3.1	N/A	STEM(Zn)
3.2	N/A	RETAINER BALL BEARING, 5/32X6
3.3	N/A	UPPER HEAD CUP, SHP/ Φ 47X7.5L/Cr
3.4	N/A	LOCK WASHER, Φ 33X4.5L
3.5	N/A	LOCK NUT, SBC31/Cr
4.1	N/A	SEAT POST, Zn
4.2	N/A	SEAT POST GUIDE BUSHING, STS304/
5.1	N/A	CONTROLLER S-DRIVE 70A
5.2	N/A	P+M/S,M4X28L
5.4	N/A	8WAY APP HOUSING
5.5	N/A	MOTOR/BATTERY EXTENSION WIRE
5.7	N/A	CHARGER WIRE
5.8	N/A	BRAKE WIRE

Sapphire 2 - REAR FRAME

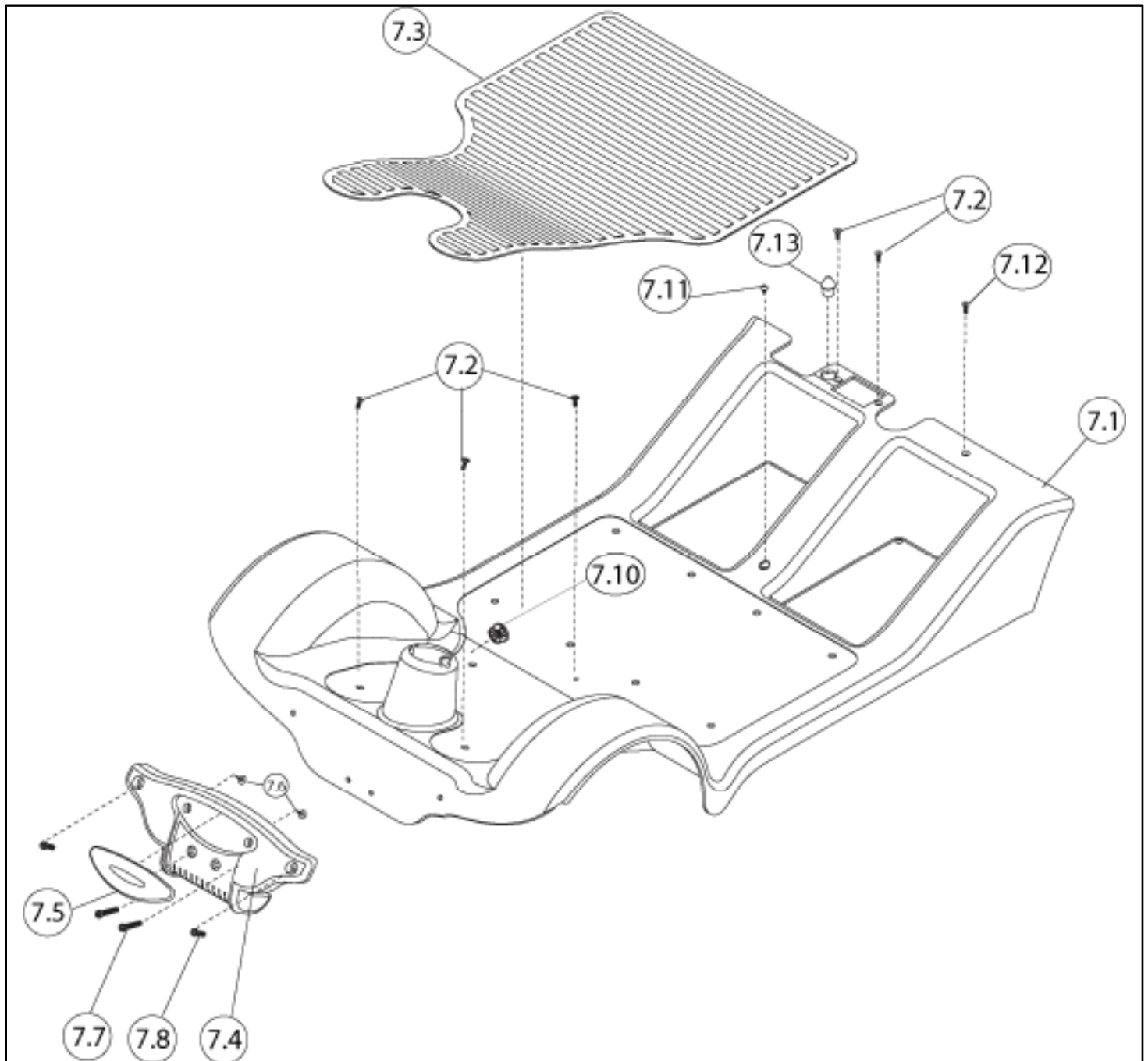


Pos.	Item number	Description	Remark/Qty
1.1-2.13	IDASM003R	REAR ASSEMBLY (RED)	
1.1-2.13	IDASM003B	REAR ASSEMBLY (BLUE)	

Sapphire 2 - REAR FRAME

Pos.	Item number	Description	Remark/Qty
1.2	232388.46304	HARDWARE KIT REAR ANTI-TIP WHEEL	
1.3	225003	ANTI-TIP WHEEL, Ø70	
2.1-2.13	IDSUB012R	REAR PANEL SUB (RED)	
2.1-2.13	IDSUB012B	REAR PANEL SUB (BLUE)	
2.6	IDSUB025	MOTOR BRAKE CONNECTION ASSEMBLY	
2.8	IDI030	CONNECTOR RETAINING PIN	
2.9	IDI009-1	REAR BUMPER,TPR1900	
2.13	IDI020	REFLECTOR REAR (RED)	
2.2-2.4	IDEC20	REAR HANDLE ASSEMBLY	QTY REQ 2
	-----	-- THE FOLLOWING PARTS ARE FOR REFERENCE ONLY --	
1.1-1.15	N/A	REAR FRAME SUB ASSEMBLY	
1.1	N/A	REAR FRAME(POWDER COAT)	
1.2	N/A	HEX BOLT,M8X70LX45S	
1.4	N/A	PLAIN WASHER, Ø8XØ17X1.2t	
1.5	N/A	NYLON NUT, M8	
1.6	N/A	REAR HANDLE BRACKET(POWDER COAT)	
1.7	N/A	HEX BOLT,M6X47LX20S	
1.8	N/A	PLAIN WASHER,M6	
1.9	N/A	NYLON NUT,M6	
1.10	N/A	REAR CROSS BRACKET(POWDER COAT)	
1.11	N/A	HEX BOLT,M8X15L	
1.12	N/A	NYLON NUT, M8	
1.13	N/A	HEX BOLT,M8X20S	
1.14	N/A	HEX NUT, M8(RH)	
1.15	N/A	HEX NUT, M8X5t	
2.1	N/A	REAR PANEL, RED	
2.1	N/A	REAR PANEL, BLUE	
2.2	N/A	REAR HANDLE-A	
2.3	N/A	REAR HANDLE-B	
2.4	N/A	T+T/S,M4X16L	
2.5	N/A	P+M/S,M5X30L	
2.7	N/A	C+T/S,M4X12L,2 BLACK	
2.10	N/A	T+M/S,M5X20L	
2.11	N/A	P+M/S,M5X20L	
2.12	N/A	NYLON NUT,M5	

Sapphire 2 - FRONT PANEL

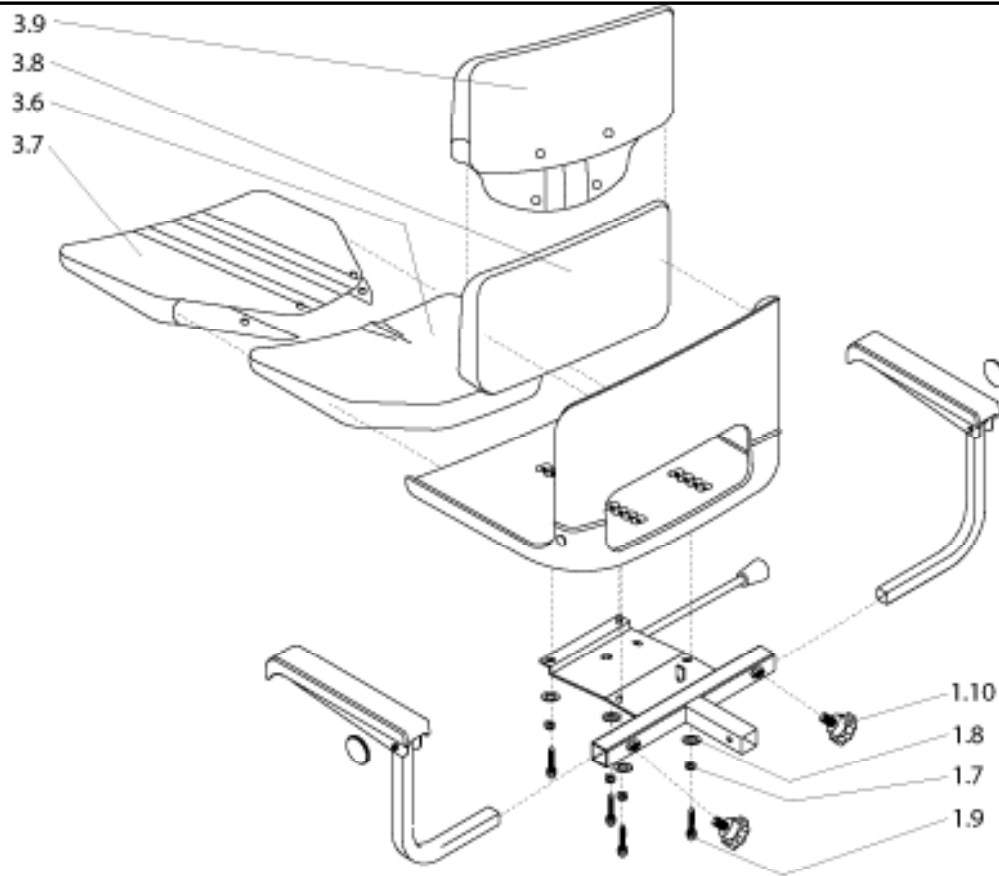


Pos.	Item number	Description
7.1-7.10	IDSUB010R	FRONT PANEL ASSY (RED)
7.1-7.10	IDSUB010B	FRONT PANEL ASSY (BLUE)
7.3	IDI031-1	FOOTMAT (BLACK)
7.4	IDI035	FRONT BUMPER MOULDING (BLACK)
7.5	IDI032	FRONT BUMPER INSERT (CHROME)
N/S	IDEC05	TOUCH UP PAINT - RED
N/S	IDEC06	TOUCH UP PAINT - BLUE

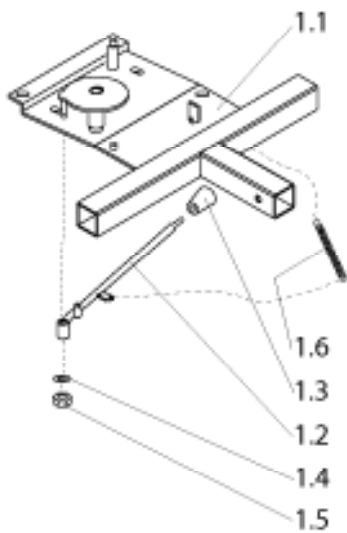
Sapphire 2 - FRONT PANEL

Pos.	Item number	Description
	----	-- THE FOLLOWING PARTS ARE FOR REFERENCE ONLY --
7.1	N/A	FRONT PANEL, RED
7.1	N/A	FRONT PANEL, BLUE
7.2	N/A	C+T/S,M4X12L,2 BLACK
7.6	N/A	P+T/S,M4X12L,2 BLACK
7.7	N/A	T+M/S,M5X28L
7.8	N/A	T+M/S,M5X20L
7.9	N/A	NYLON NUT,M5
7.10	N/A	OPEN BUSHING
7.11	N/A	T+T/S,M4X10L,2 BLACK
7.12	N/A	C+T/S,M4X7L,2 BLACK
7.13	N/A	LOCATION POST INSERT,PE,BLACK

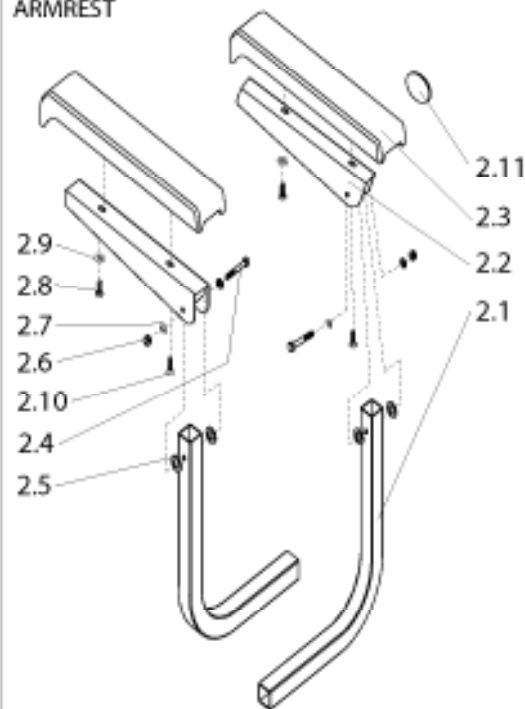
Sapphire 2 - SEAT



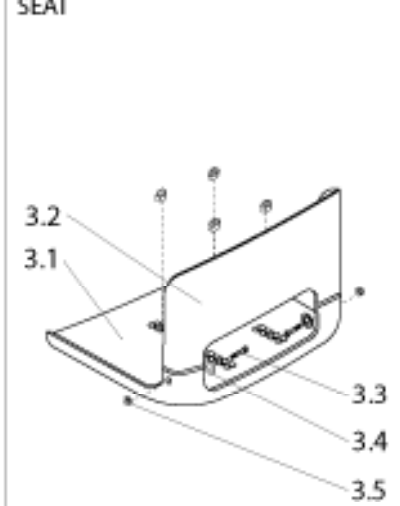
SEAT FRAME



ARMREST



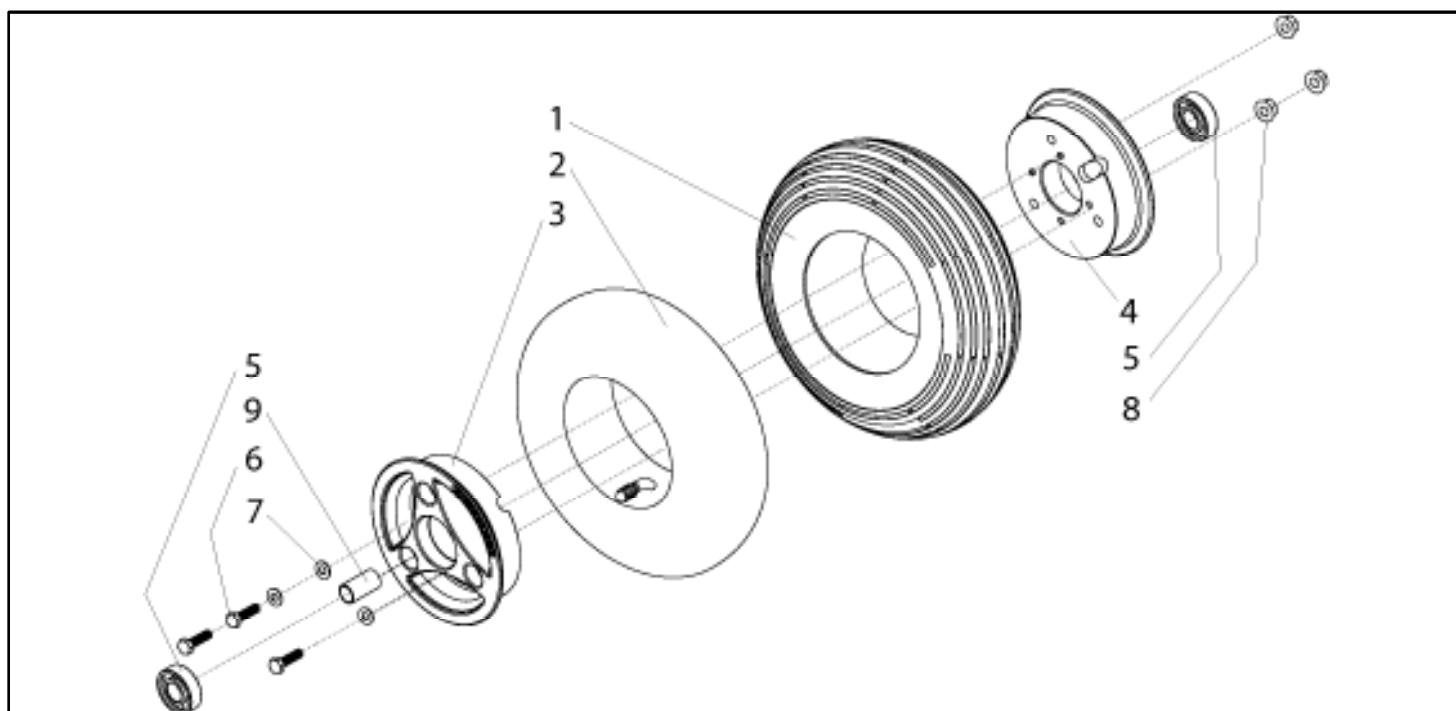
SEAT



Sapphire 2 - SEAT

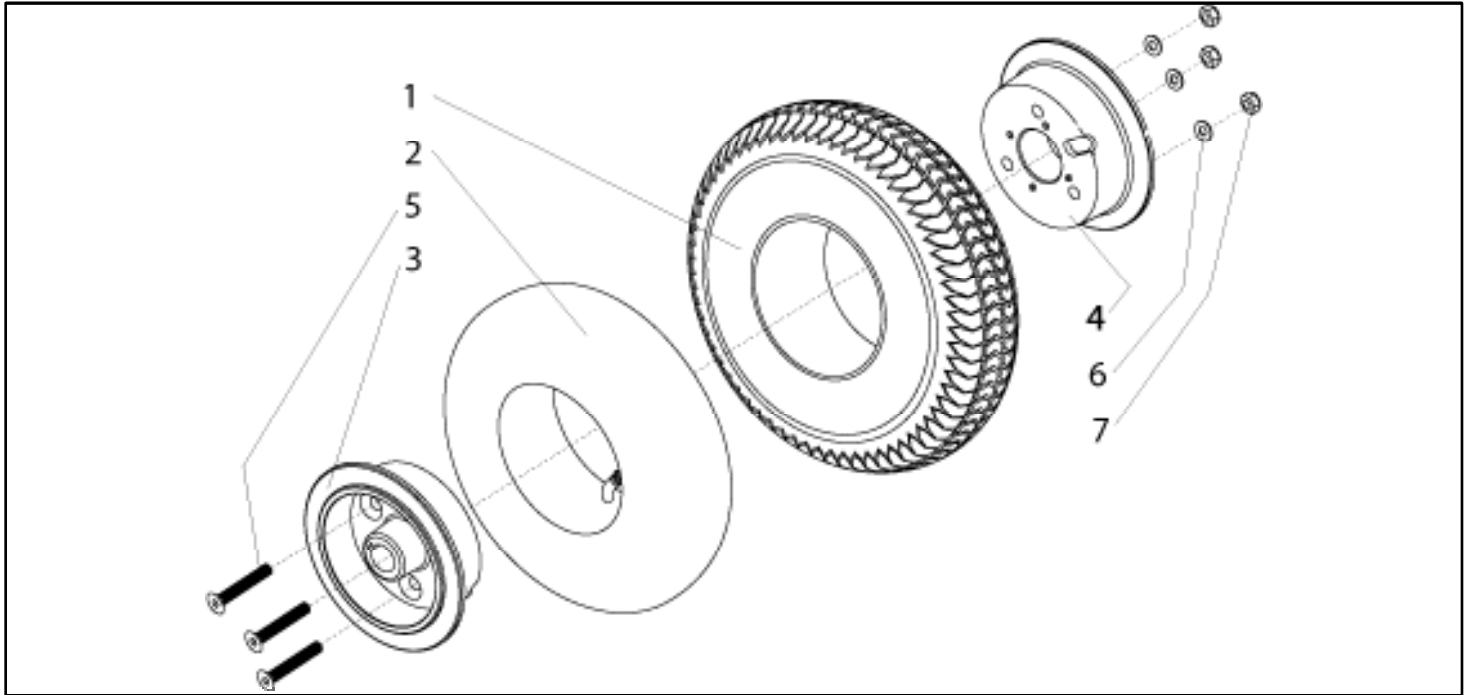
Pos.	Item number	Description
1.1-1.10	IDSUB017	SEAT PLATE ASSY
1.10	MPCI13.I	THUMB SCREW M 8
2.1-2.11	IDSUB018	ARMREST ASSY - LEFT HAND
2.1-2.11	IDSUB019	ARMREST ASSY - RIGHT HAND
2.3	232102	ARMREST PAD (345 LONG)
2.11	IDIO21	REFLECTOR AMBER (ARMREST)
3.1-3.10	IDSUB020	SEAT ASSY - (SEAT AND BACK INC COVERS ONLY)
3.7	MPCI09	SEAT BASE COVER
3.9	IDEC01	SEAT BACK COVER
	----	-- THE FOLLOWING PARTS ARE FOR REFERENCE ONLY --
1.1-3.10	N/A	SEAT ASSEMBLY
1.1	N/A	SEAT FRAME(POWDER COAT)
1.2	N/A	SEAT LEVER(POWDER COAT)
1.3	N/A	SEAT LEVER POCKET, PVC
1.4	N/A	PLASTIC WASHER, ACETAL
1.5	N/A	NYLON LOCK NUT M 6
1.6	N/A	REAT LEVER RETURN SPRING
1.7	N/A	SPRING WASHER M 6
1.8	N/A	PLAIN WASHER M 6
1.9	N/A	HEX BOLT M 6 X 25 L
2.1	N/A	ARM POST TUBE
2.2	N/A	ARM REST WELDMENT
2.4	N/A	HEX BOLT M 6 X 40 L X 18 S
2.5	N/A	PLASTIC WASHER
2.6	N/A	NYLON LOCK NUT M 6
2.7	N/A	PLAIN WASHER M 6
2.8	N/A	P+M/S M 6 X 10 L
2.9	N/A	SPRING WASHER M 6
2.10	N/A	C+M/S M 6 X 12 L
3-1	N/A	PLASTIC SEAT BASE
3.2	N/A	PLASTIC SEAT BACK
3.3	N/A	HEX BOLT M 6 X 30 L
3.4	N/A	PLAIN WASHER M 6 X Φ 18 X 2 t
3.5	N/A	NYLON LOCK NUT M 6
3.6	N/A	SEAT BASE PAD
3.8	N/A	SEAT BACK PAD
3.10	N/A	SPRING WASHER M 8

Sapphire 2 - FRONT WHEEL



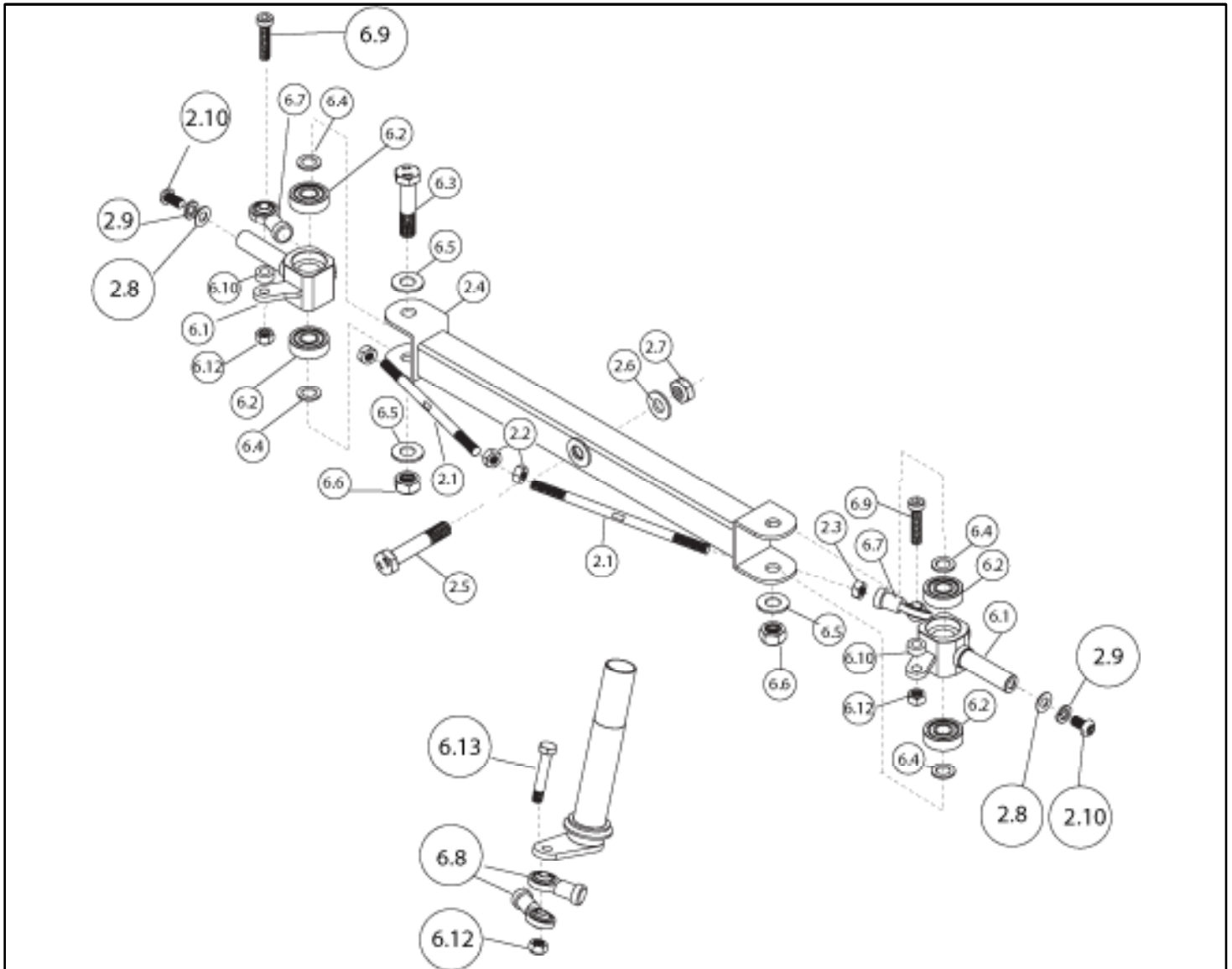
Pos.	Item number	Description
1-9	IDASM006	WHEEL ASSY FRONT
1	IDI026	TYRE FRONT 2.80/2.50-4
2	IDI027	INNER TUBE FRONT
	----	-- THE FOLLOWING PARTS ARE FOR REFERENCE ONLY --
3	N/A	INNER WHEEL, ALDC8, 10"
4	N/A	OUTER WHEEL, ALDC8, 10" ,BLACK PAINTING
5	N/A	BALL BEARING, 6202ZZ
6	N/A	HEX BOLT, M6X40L
7	N/A	PLAIN WASHER, M6
8	N/A	NYLON NUT, M6
9	N/A	WHEEL SPACER, $\Phi 19 \times \Phi 16 \times 30.3L/Zn$

Sapphire 2 - 10" REAR WHEEL



Pos.	Item number	Description
1-7	IDASM007	WHEEL ASSY REAR
1	IDI028	TYRE REAR 3.00-4
2	IDI029	INNER TUBE REAR
	-----	-- THE FOLLOWING PARTS ARE FOR REFERENCE ONLY --
3	N/A	INNER WHEEL, ALDC8, 10"
4	N/A	OUTER WHEEL, ALDC8, 10"
5	N/A	COUNTERSINK WRENCH BOLT, M8X50L
6	N/A	PLAIN WASHER
7	N/A	NYLON NUT, M8

Sapphire 2 - FRONT AXLE

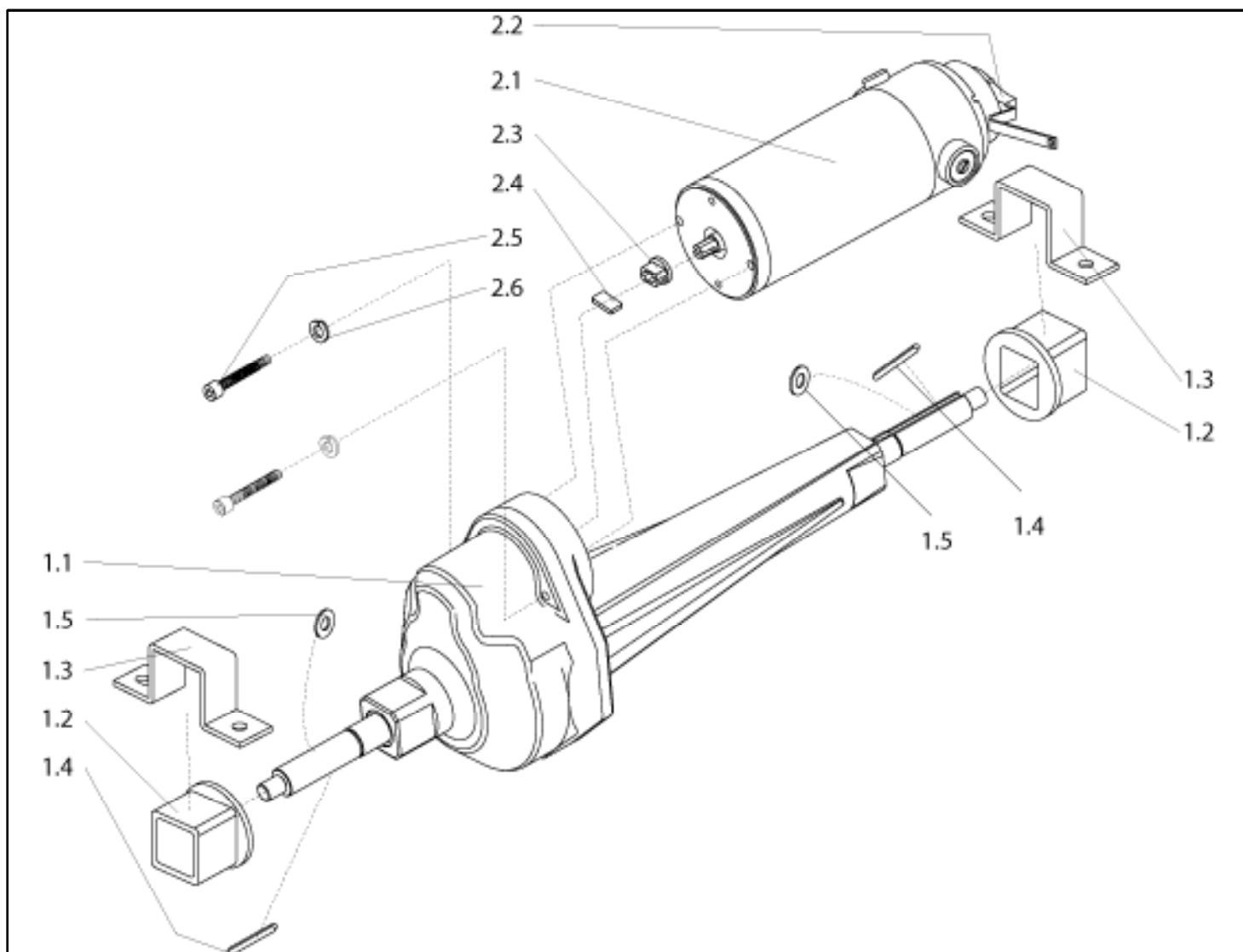


Pos.	Item number	Description
2.4	IDC004-2	FRONT AXLE
2.8-2.10, 6.1-6.12	IDSUB006	STUB AXLE KIT
2.1-2.3, 6.7-6.8	IDSUB021	CONNECTION ROD KIT
	----	-- THE FOLLOWING PARTS ARE FOR REFERENCE ONLY --
2.1	N/A	CONNECTING ROD
2.2	N/A	M 8 HEX NUT (LH)
2.3	N/A	M 8 HEX NUT (RH)
2.5	N/A	HEX BOLT,M12x58x25S
2.6	N/A	PLAIN WASHER,M12x2t
2.7	N/A	STEEL NUT,M12

Sapphire 2 - FRONT AXLE

Pos.	Item number	Description
2.8	N/A	PLAIN WASHER,M8
2.9	N/A	SPRING WASHER,M8
2.10	N/A	SOCKET HEAD BOLT,M8X15S,Zn
6.1	N/A	KNUCKLE(Zn)
6.2	N/A	BALL BEARING,6001Z
6.3	N/A	HEX BOLT,M12x68x18s
6.4	N/A	PLASTIC WASHER,PEM/Φ22x3t
6.5	N/A	PLAIN WASHER,M12x2t
6.6	N/A	STEEL NUT,M12
6.7	N/A	CONNECTOR ROD END BEARING (JFT8R)
6.8	N/A	CONNECTOR ROD END BEARING (JFT8L)
6.9	N/A	SOCKET HEAD BOLT,M8x40x32s
6.10	N/A	TIE ROD SPACER SHORT
6.11	N/A	PLAIN WASHER,M8
6.12	N/A	NYLON NUT,M8
6.13	N/A	BOLT M8 X 35

Sapphire 2 - TRANSAXLE & MOTOR

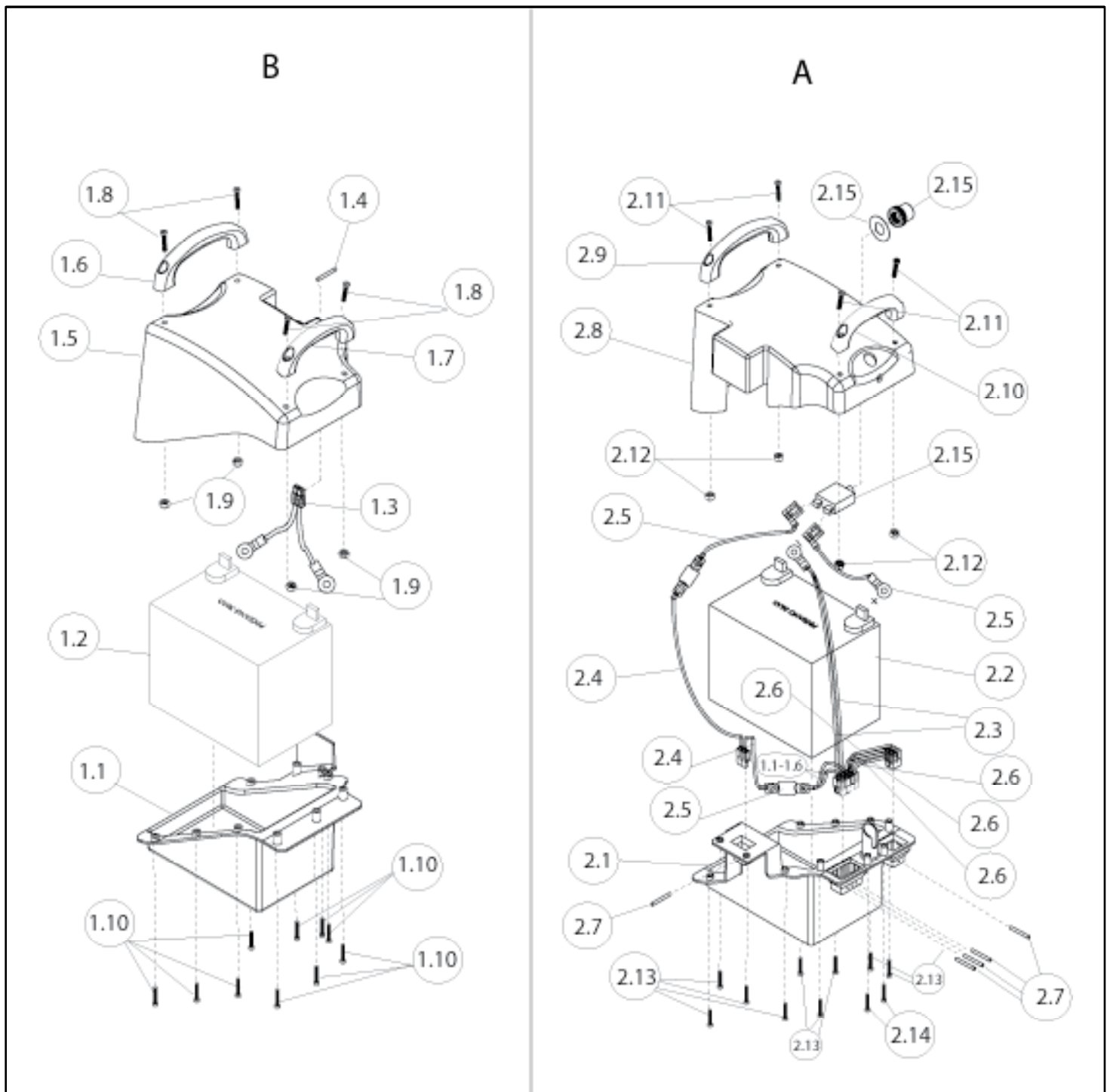


Pos.	Item number	Description	Remark/Qty
1.1-2.6	IDASM004	DRIVE TRAIN ASSY	Note: Please contact Technical Support for further information, if Serial number is EARLIER than SAPP09080055
1.4	IDR011	KEY DRIVE SHAFT	

Sapphire 2 - TRANSAXLE & MOTOR

Pos.	Item number	Description	Remark/Qty
2.1-2.6	IDSUB014	MOTOR & BRAKE ASSY	Note: Please contact Technical Support for further information, if Serial number is EARLIER than SAPP09080055
2.2	300154	MOTOR BRAKE (6N/M)	Note: Please contact Technical Support for further information, if Serial number is EARLIER than SAPP09080055
N/S	IDSUB022	MOTOR CARBON BRUSH & COVER KIT	LINE IND MOTOR BRUSH
N/S	031116	MOTOR CARBON BRUSH ONLY	MTM MOTOR BRUSH
1.1-1.5	N/A	TRANS AXLE SUB	
1.1	N/A	T/AXLE ASS'Y	
1.2	N/A	MOUNTING PAD,NBR	
1.3	N/A	U-MT'G BRACKET,POWDER COAT	
1.5	N/A	PLAIN WASHER 32 X 13 X 1t,Zn	
2.1	N/A	MOTOR ASSEMBLY, 3300rpm/12 GAUGE WIRE	
2.3	N/A	COUPLING,PA66	
2.4	N/A	COUPLING BLOCK,STC5	
2.5	N/A	SOCKET HEAD BOLT M 6 X 45 L X 20 S	
2.6	N/A	SPRING WASHER M 6	

Sapphire 2 - BATTERIES



Pos.	Item number	Description	Remark/Qty
2.1,2.3-2.15	IDSUB015	BATTERY BOX "A" ASSY C/W CONNECTORS	REMOVE FIRST, REPLACE LAST
1.2, 2.2	UB12-35	BATTERY,UB 35AH	
1.4, 2.7	IDI030	CONNECTOR RETAINING PIN	

Sapphire 2 - BATTERIES

Pos.	Item number	Description	Remark/Qty
1.1, 1.3- 1.10	IDSUB016	BATTERY BOX "B" ASSY W/O CONNECTORS	REMOVE LAST, REPLACE FIRST
N/S	050550-3	CHARGER 5A (230/110V INPUT)	
N/S	IDEC07	OFFBOARD CHARGING LOOM	
N/S	320166	FUSE 7.5A OFFBOARD CHARGING LOOM	
	-----	-- THE FOLLOWING PARTS ARE FOR REFERENCE ONLY --	
1.1	N/A	BATTERY BOX A BASE	
1.3	N/A	BATTERY WIRE	
1.5	N/A	BATTERY BOX A TOP	
1.6	N/A	BATTERY BOX HANDLE-LONG	
1.6	N/A	BATTERY BOX HANDLE-SHORT	
1.8	N/A	P+M/S,M5X30L	
1.9	N/A	NYLON NUT,M5	
1.10	N/A	P+M/S,M4X15L	
2.1	N/A	BATTERY BOX B BASE	
2.3	N/A	BATTERY WIRE	
2.4	N/A	BATTERY 2 TO BATTERY 1 WIRE	
2.5	N/A	BATTERY / SENSOR WIRE	
2.6	N/A	BATTERY 2 CONNECTOR WIRE	
2.8	N/A	BATTERY BOX B TOP	
2.9	N/A	BATTERY BOX HANDLE-LONG	
2.10	N/A	BATTERY BOX HANDLE-SHORT	
2.11	N/A	P+M/S,M5X30L	
2.12	N/A	NYLON NUT,M5	
2.13	N/A	P+M/S,M4X15L	
2.14	N/A	C+M/S,M4X15L	
2.15	N/A	CIRCUIT BREAKER,40A(WITH CAP)	